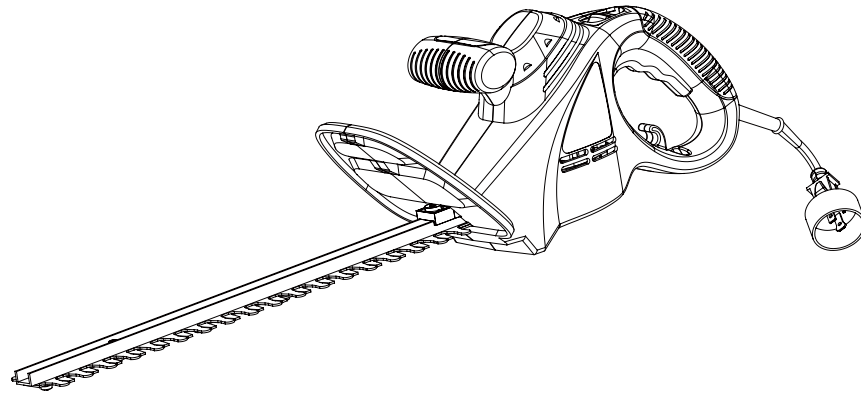


P0801704-00

# greenworks

22102

EN	HEDGE TRIMMER	OPERATOR MANUAL
FR	TAILLE-HAIE	MANUEL D'UTILISATION
ES	CORTADOR DE SETOS	MANUAL DEL OPERADOR



HTA133

www.greenworkstools.com

210

145

### 技术要求:

1. 材质要求: 60g双胶纸
2. 尺寸: 145\*210mm, 32P
3. 说明书为单色印刷, 要求无色差、无污点;
4. 骑马钉装订, 裁切均匀、无连页。
5. 以封样为准。
6. 料件需符合格力博HSF文件(编号: GLB-CGR-146) 里关于环保和有害物质的具体要求。

SCALE:A5

版本号

B

描 复

					说明书				常州格力博集团	
									18" 2.7A修枝机 (GW US)	
标记	处数	更改文件号	签名	日期	阶段标记	视角标记	重量	比例	22102	
设计	张君	标准化	刘刚刚	S						
校对	杨媛	审定								
审核	周艳	批准	李海平		共 1 张		第 1 张		ERP号	P0801704-00
日期		日期	19.10.18							

# greenworks

22102

EN HEDGE TRIMMER

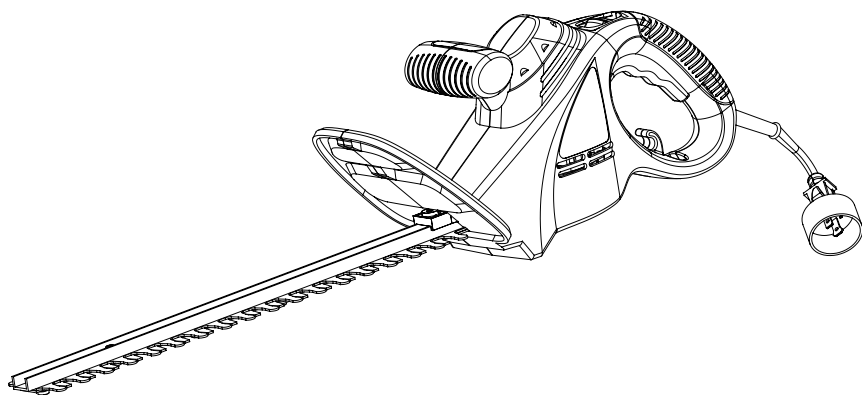
OPERATOR MANUAL

FR TAILLE-HAIE

MANUEL D'UTILISATION

ES CORTADOR DE SETOS

MANUAL DEL OPERADOR



**HTA133**

[www.greenworkstools.com](http://www.greenworkstools.com)



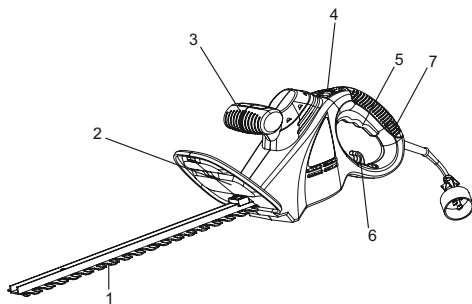
<b>1</b>	<b>Description.....</b>	<b>4</b>	<b>5</b>	<b>Risk levels.....</b>	<b>6</b>
1.1	Purpose.....	4	<b>6</b>	<b>Operation.....</b>	<b>7</b>
1.2	Overview.....	4	6.1	Connect to the power cord.....	7
<b>2</b>	<b>General power tool safety</b>		6.2	Start the machine.....	7
	<b>warnings.....</b>	<b>4</b>	6.3	Stop the machine.....	7
2.1	Work area safety.....	4	6.4	Operation tips.....	7
2.2	Electrical safety.....	4	<b>7</b>	<b>Maintenance.....</b>	<b>8</b>
2.3	Personal safety.....	4	7.1	Clean the machine.....	8
2.4	Power tool use and care.....	4	7.2	Lubricate the blade.....	8
2.5	Service.....	5	<b>8</b>	<b>Store the machine.....</b>	<b>8</b>
2.6	Electrical.....	5	<b>9</b>	<b>Troubleshooting.....</b>	<b>8</b>
2.7	Hedge trimmer safety warnings.....	5	<b>10</b>	<b>Technical data.....</b>	<b>8</b>
2.8	Proposition 65.....	6	<b>11</b>	<b>Limited warranty.....</b>	<b>9</b>
<b>3</b>	<b>Child safety.....</b>	<b>6</b>	<b>12</b>	<b>Exploded view.....</b>	<b>10</b>
<b>4</b>	<b>Symbols on the product.....</b>	<b>6</b>			

## 1 DESCRIPTION

### 1.1 PURPOSE

This machine is intended for cutting and trimming hedges and bushes in domestic use. It is not intended to be used for cutting above shoulder level.

### 1.2 OVERVIEW



- |                      |                 |
|----------------------|-----------------|
| 1 Blade              | 5 Trigger       |
| 2 Guard              | 6 Cord retainer |
| 3 Auxiliary handle   | 7 Rear handle   |
| 4 Safety lock button |                 |

## 2 GENERAL POWER TOOL SAFETY WARNINGS

### ▲ WARNING

Read all safety warnings and all instructions. Failure to follow the warnings and instructions may result in electric shock, fire and/or serious injury.

Save all warnings and instructions for future reference.

The term "power tool" in the warnings refers to your mains-operated (corded) power tool.

### 2.1 WORK AREA SAFETY

- **Keep work area clean and well lit.** Cluttered or dark areas invite accidents.
- **Do not operate power tools in explosive atmospheres, such as in the presence of flammable liquids, gases or dust.** Power tools create sparks which may ignite the dust or fumes.
- **Keep children and bystanders away while operating a power tool.** Distractions can cause you to lose control.

### 2.2 ELECTRICAL SAFETY

- **Do not expose power tools to rain or wet conditions.** Water entering a power tool will increase the risk of electric shock.

### 2.3 PERSONAL SAFETY

- **Stay alert, watch what you are doing and use common sense when operating a power tool. Do not use a power tool while you are tired or under the influence of drugs, alcohol or medication.** A lapse of attention while operating power tools may result in serious personal injury.
- **Use personal protection.** Always wear eye protection. Protective products such as dust mask, non-skid safety shoes, hard hat or hearing protection used appropriately will reduce personal injuries.
- **Prevent unintentional starting.** Ensure the switch is in the off position before connecting to power source and/or battery pack and when picking up or carrying the tool. Carrying power tools with your finger on the switch or energizing power tools that have the switch on invites accidents.
- **Do not over-reach.** Keep proper footing and balance at all times. This enables better control of the power tool in unexpected situations.
- **Dress properly. Do not wear loose clothing or jewellery.** Keep your hair, clothing and gloves away from moving parts. Loose clothes, jewellery or long hair can be caught in moving parts.

### 2.4 POWER TOOL USE AND CARE

- **Do not force the power tool.** Use the correct power tool for your application. The correct power tool will do the job better and safer at the rate for which it was designed.
- **Do not use the power tool if the switch does not turn it on and off.** Any power tool that cannot be controlled with the switch is dangerous and must be repaired.
- **Disconnect the plug from the power source and/or the battery pack from the power tool before making any adjustments, changing accessories, or storing power tools.** Such preventive safety measures reduce the risk of starting the power tool accidentally.
- **Store idle power tools out of the reach of children and do not allow persons unfamiliar with the power tool or these instructions to operate the power tool.** Power tools are dangerous in the hands of untrained users.
- **Maintain power tools.** Check for misalignment or binding of moving parts, breakage of parts and any other condition that may affect the power tool's operation. If damaged, have the power tool repaired before use. Many accidents are caused by poorly maintained power tools.
- **Keep cutting tools sharp and clean.** Properly maintained cutting tools with sharp cutting edges are less likely to bind and are easier to control.
- **Use the power tool, accessories and tool bits etc. in accordance with these instructions, taking into account the working conditions and the work to be performed.** Use of the power tool for operations different from those intended could result in a hazardous situation.

## 2.5 SERVICE

- **Have your power tool serviced by a qualified repair person using only identical replacement parts.** *This will ensure that the safety of the power tool is maintained.*

## 2.6 ELECTRICAL

### ▲ WARNING

The double insulated system is intended to protect the user from shock resulting from a break in the tool's internal insulation. Observe all normal safety precautions to avoid electrical shock.

#### Electrical connection

This product has a precision-built electric motor. It should be connected to a power supply that is 120 V, AC only (normal household current), 60 Hz. Do not operate this product on direct current (DC). A substantial voltage drop will cause a loss of power and the motor will overheat. If the product does not operate when plugged into an outlet, double-check the power supply.

#### Extension cords

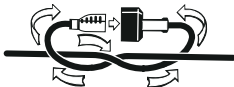
When using a power tool at a considerable distance from a power source, be sure to use an extension cord that has the capacity to handle the current the product will draw. An undersized cord will cause a drop in line voltage, resulting in overheating and loss of power. Use the chart to determine the minimum wire size required in an extension cord. Only round jacketed cords listed by Underwriter's Laboratories (UL) should be used.

When working outdoors with a product, use an extension cord that is designed for outside use. This type of cord is designated with "W-A" or "W" on the cord's jacket.

Before using any extension cord, inspect it for loose or exposed wires and cut or worn insulation.

A proper extension cord is available at an authorized service center.

It is possible to tie the extension cord and power cord in a knot to prevent them from becoming disconnected during use. Make the knot as shown in the figure, then connect the plug end of the power cord into the receptacle end of the extension cord. This method can also be used to tie two extension cords together.



#### Minimum Gauge for Extension Cords (AWG)

(when using 120 V only)

Amp Rating	Total Length of Cord in Feet (meters)
------------	---------------------------------------

More Than	Not More Than	25' (7.6 m)	50' (15 m)	100' (30.4 m)
0	6	18	16	16
6	10	18	16	14
10	12	16	16	14

Keep the extension cord clear of the working area. Position the cord so that it will not get caught on lumber, tools, or other obstructions while you are working with a power tool. Failure to do so can result in serious personal injury.

Check extension cords before each use. If damaged replace immediately. Never use the product with a damaged cord since touching the damaged area could cause electrical shock resulting in serious injury.

## 2.7 HEDGE TRIMMER SAFETY WARNINGS

- **Use both hands when operating the hedge trimmer.** Using one hand could cause loss of control and result in serious personal injury.
- **Keep all parts of the body away from the cutter blade. Do not remove cut material or hold material to be cut when blades are moving. Blades coast after turn off. Make sure the switch is off when clearing jammed material.** A moment of inattention while operating the hedge trimmer may result in serious personal injury.
- **Carry the hedge trimmer by the handle with the cutter blade stopped. When transporting or storing the hedge trimmer always fit the cutting device cover.** Proper handling of the hedge trimmer will reduce possible personal injury from the cutter blades.
- **Hold the power tool by insulated gripping surfaces only, because the cutter blade may contact hidden wiring.** Cutter blades contacting a "live" wire may make exposed metal parts of the power tool "live" and could give the operator an electric shock.
- **DANGER – Keep hands away from blade.** Contact with blade will result in serious personal injury.
- **Keep cable away from cutting area.** During operation the cable may be hidden in shrubs and can be accidentally cut by the blade.
- **Always store idle power tools indoors.** When not in use, power tools should be stored indoors in a dry place, out of reach of children.

## 2.8 PROPOSITION 65

### ▲ WARNING

This product contains a chemical known to the state of California to cause cancer, birth defects or other reproductive harm. Some dust created by power sanding, sawing, grinding, drilling, and other construction activities contains chemicals known to cause cancer, birth defects or other reproductive harm. Some examples of these chemicals are:

- Lead from lead-based paints;
- Crystalline silica from bricks and cement and other masonry products;
- Arsenic and chromium from chemically treated lumber.

Your risk of exposure to these chemicals varies depending on how often you do this type of work. To reduce your exposure to these chemicals, work in a well-ventilated area, and work with approved safety equipment, such as dust masks that are specially designed to filter out microscopic particles.

Save these instructions.

## 3 CHILD SAFETY










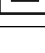
Tragic accidents can occur if the operator is not aware of the presence of children.

- Keep children out of the working area and under the watchful care of a responsible adult.
- Do not allow children under the age of 14 to operate this machine. Children who are 14 years of age and older must read and understand the operating instructions and safety rules in this manual and must be trained and supervised by a parent.
- Stay alert, and turn the machine off if a child or any other person enters the working area.
- Use extreme care when approaching blind corners, doorways, shrubs, trees, or other objects that may obscure your view of a child who may run into the path of the machine.

## 4 SYMBOLS ON THE PRODUCT




Some of the following symbols may be used on this product. Please study them and learn their meaning. Proper interpretation of these symbols will allow you to operate the product better and safer.

Symbol	Explanation
V	Voltage
A	Current
Hz	Frequency (cycles per second)
W	Power
min	Time

Symbol	Explanation
	Type or a characteristic of current
	Precautions that involve your safety.
	Read and understand all instructions before operating the product, and follow all warnings and safety instructions.
	Always wear eye protection with side shields marked to comply with ANSI Z87.1 when operating this equipment.
	Thrown objects can ricochet and result in personal injury or property damage. Wear protective clothing and boots.
	Wear non-slip, heavy duty gloves.
	Keep all bystanders at least 15m away.
	Do not expose the product to rain or moist conditions.
	Danger – keep hands and feet away from blade.
	Double-insulated construction

## 5 RISK LEVELS

The following signal words and meanings are intended to explain the levels of risk associated with this product.

SYMBOL	SIGNAL	MEANING
	DANGER	Indicates an imminently hazardous situation, which, if not avoided, will result in death or serious injury.
	WARNING	Indicates a potentially hazardous situation, which, if not avoided, could result in death or serious injury.
	CAUTION	Indicates a potentially hazardous situation, which, if not avoided, may result in minor or moderate injury.

SYMBOL	SIGNAL	MEANING
	CAUTION	(Without Safety Alert Symbol) Indicates a situation that may result in property damage.

## 6 OPERATION

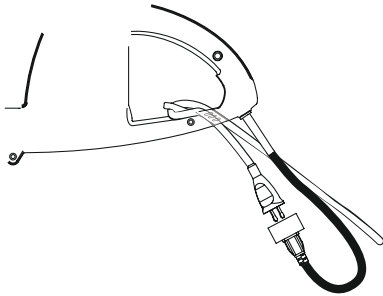
- Touch the blade carefully.
- Do not put your fingers into the notches or in position where they can get cut.
- Do not touch the blade unless you disconnect the plug from power source.
- Do not use the machine if the blade is damaged or bent.
- Remove all objects such as cords, lights, wire, or string which can become entangled in the cutting blade and create a risk of personal injury.

### ▲ WARNING

If the blade jams on an electrical cord or line, DO NOT TOUCH THE BLADE! IT CAN BE LIVE AND DANGEROUS. Do the steps below:

1. Hold the insulated rear handle or put the machine down and away from you.
2. Disconnect the electrical service to the damaged line or cord before you try to free the blade.

### 6.1 CONNECT TO THE POWER CORD



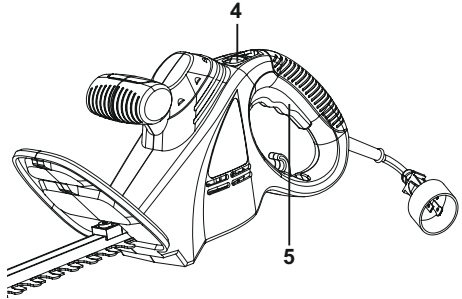
This product is designed with a cord retainer that prevents the extension cord from being pulled loose while using.

1. Form a loop with the end of the extension cord.
2. Insert loop portion of extension cord through opening in the bottom of the rear handle and place over cord retainer.
3. Slowly pull loop against cord retainer until the slack is removed.
4. Plug product into extension cord.

### i NOTE

Failure to remove all excess cord slack from extension cord retainer could result in plug loosening from receptacle.

### 6.2 START THE MACHINE



1. Attach an extension cord to your machine.
2. Place one hand on the trigger handle. Place the other hand on the auxiliary handle.
3. Slide the safety lock button (4).
4. Press the trigger (5).
5. Release the safety lock button.

### ▲ WARNING

Hold the machine with two hands during operation.

### i NOTE

If the machine accidentally falls, it will stop and the blade will fully stop after a few seconds. The machine will then lock OFF.

### ▲ CAUTION

When you operate the machine, keep the extension cord behind the machine.

### 6.3 STOP THE MACHINE

1. Release the trigger to stop the machine.

### 6.4 OPERATION TIPS

- Do not push the machine through heavy shrubbery. This can cause the blade blockage. If the blades blocks,
  1. stop the machine.
  2. Disconnect the plug from power source.
  3. remove the blockage.
- Do not try to cut too large stems or twigs.
- Wear the gloves when you cut.
- Cut the new growth with a wide sweeping action so that the stems are put directly into the blade.
- You can use a string to adjust the height of the hedge.
  1. Stretch a piece of string along the hedge at this height.
  2. Cut the hedge immediately above this string.



- Cut the side of a hedge until it will be narrower at the top. More of the hedge will come into view in that way.

## 7 MAINTENANCE

### ▲ CAUTION

Do not let brake fluids, gasoline, petroleum-based materials touch the plastic parts. Chemicals can cause damage to the plastic, and make the plastic unserviceable.

### ▲ CAUTION

Do not use strong solvents or detergents on the plastic housing or components.

### ▲ WARNING

Pull the mains plug out of the socket before maintenance.

### 7.1 CLEAN THE MACHINE

#### ▲ WARNING

Keep the machine and the motor free of leaves, branches or excessive oil to prevent fire risks.

- Use a moist cloth with a mild detergent to clean the machine.
- Clean all moisture with a soft dry cloth.
- Use a small brush to clean the air vents.

### 7.2 LUBRICATE THE BLADE

To increase the efficiency and life of the blades, lubricate them carefully after each work session:

- Put the machine on a flat and smooth surface.
- Use a soft cloth to clean the blades and a brush to remove more dirt.
- Use a light layer of oil to lubricate the blades along the top edge of the blade.

#### i NOTE

We recommend to use the non-pollutant type oil.

## 8 STORE THE MACHINE

- Clean the machine before storage.
- Make sure that the motor is not hot when you store the machine.
- Make sure that the machine does not have loose or damaged parts. If it is necessary, do these steps/instructions:
  - Replace the damaged parts.
  - Tighten the bolts.
  - Speak to a person of an approved service center.
- Store the machine in a dry area.

- Make sure that children cannot come near the machine.

## 9 TROUBLESHOOTING

Problem	Possible cause	Solution
The motor does not start when you pull the trigger.	Cord not plugged in.	Plug in cord.
	Cord or switch is damaged.	Have cord or switch replaced.
The machine smokes during operation.	The machine has damage.	<ol style="list-style-type: none"> <li>Immediately stop the machine.</li> <li>Disconnect the plug from power source.</li> <li>Speak to service center.</li> </ol>
The motor is on, blades do not move.	The machine has damage.	Do not use the machine and speak to service center.
	The blades are blocked.	Disconnect the plug from power source then clear blockage from the blades.
There is too much noise and/or vibration during operation.	The parts are loosened.	<ol style="list-style-type: none"> <li>Stop the machine.</li> <li>Disconnect the plug from power source.</li> <li>Inspect for damage.</li> <li>Check and tighten loose parts.</li> </ol>
	The parts have damage.	Do not use the machine and speak to service center.

## 10 TECHNICAL DATA

Voltage	120 V
No load speed	3200 (±10%) SPM
Blade length	18"
Cutting capacity	3/8"
Weight	2.3 kg (5.1 lbs.)

## 11 LIMITED WARRANTY



Greenworks hereby warrants this product, to the original purchaser with proof of purchase, for a period of three (3) years against defects in materials, parts or workmanship. Greenworks, at its own discretion will repair or replace any and all parts found to be defective, through normal use, free of charge to the customer. This warranty is valid only for units which have been used for personal use that have not been hired or rented for industrial/commercial use, and that have been maintained in accordance with the instructions in the owners' manual supplied with the product from new.

### ITEMS NOT COVERED BY WARRANTY:

1. Any part that has become inoperative due to misuse, commercial use, abuse, neglect, accident, improper maintenance, or alteration; or
2. The unit, if it has not been operated and/or maintained in accordance with the owner's manual; or
3. Normal wear, except as noted below;
4. Routine maintenance items such as lubricants, blade sharpening;
5. Normal deterioration of the exterior finish due to use or exposure.

### HELPLINE:

Warranty service is available by calling our toll-free helpline, at 1-888-909-6757.

### TRANSPORTATION CHARGES:

Transportation charges for the movement of any power equipment unit or attachment are the responsibility of the purchaser. It is the purchaser's responsibility to pay transportation charges for any part submitted for replacement under this warranty unless such return is requested in writing by Greenworks.

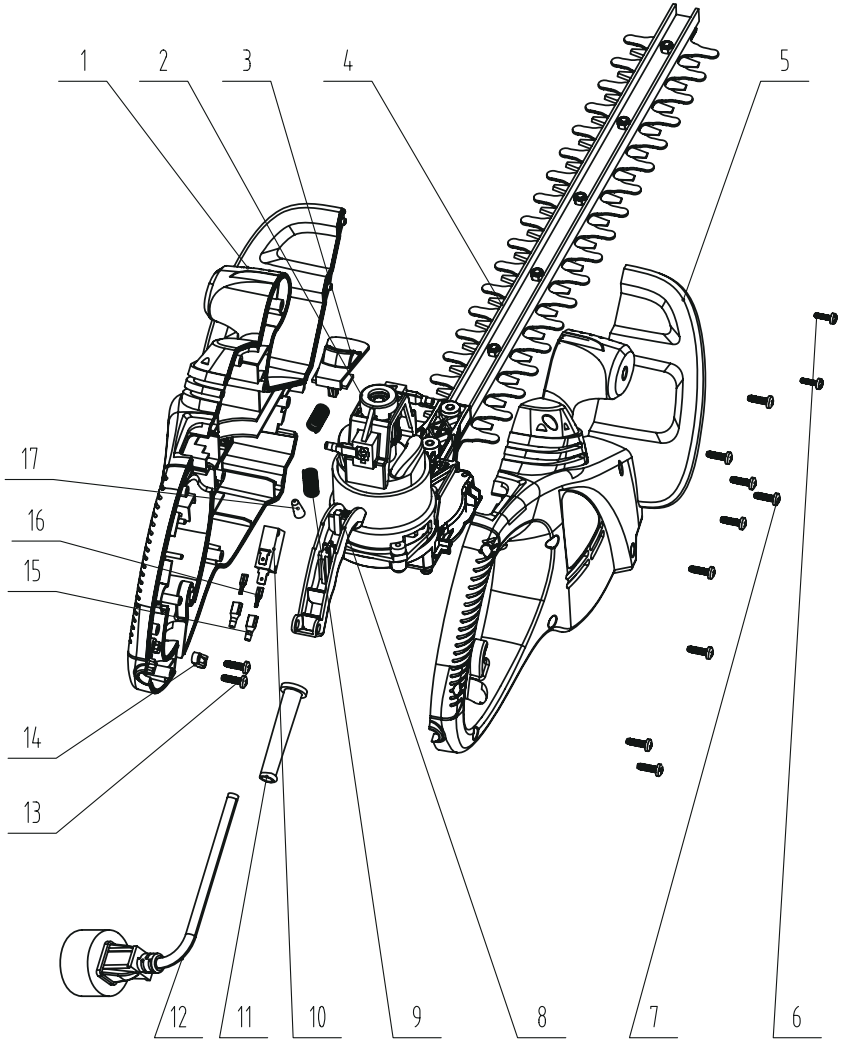
#### USA address:

Greenworks Tools  
P.O. Box 1238  
Mooresville, NC 28115

#### Canadian address:

Greenworks Tools Canada Inc.  
1110 Stellar Drive Unit 102  
Newmarket, ON, L3Y 7B7

12 EXPLODED VIEW



ITEM NO.	PART NO.	DESCRIPTION	QTY
1	31301169-3	Left housing	1
2	36101169	Motor	1
3	34101169-1	Safety lock button	1
4	31102169-1	Blade assembly	1
5	31301169-4	Right housing	1
6	3220203	Screw	2

7	3220313	Screw	10
8	34102169-1	Trigger	1
9	33402161	Spring	2
10	36303152	Switch	1
11	34201169	Strain relief	1
12	36401169	Power cord	1
13	3220345	Screw	2
14	3410302	Wire clip	1
15	34901161	Bushing	2
16	36503161	Terminal	2
17	36504161	Cap	1

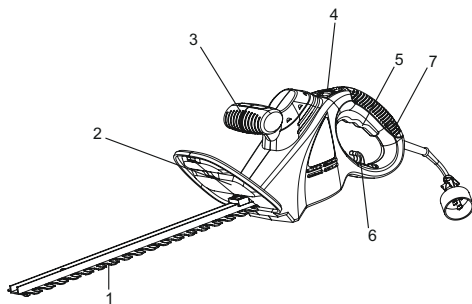
<b>1</b>	<b>Description.....</b>	<b>13</b>	<b>5</b>	<b>Niveaux de risques.....</b>	<b>16</b>
1.1	But.....	13	<b>6</b>	<b>Utilisation.....</b>	<b>16</b>
1.2	Aperçu.....	13	6.1	Branchez le cordon d'alimentation.....	16
<b>2</b>	<b>Avertissements généraux de</b>		6.2	Démarrez la machine.....	17
	<b>sécurité des outils électriques.....</b>	<b>13</b>	6.3	Arrêtez la machine.....	17
2.1	Sécurité de la zone de travail.....	13	6.4	Conseils sur l'utilisation.....	17
2.2	Sécurité électrique.....	13	<b>7</b>	<b>Entretien.....</b>	<b>17</b>
2.3	Sécurités des personnes.....	13	7.1	Nettoyez la machine.....	17
2.4	Utilisation et entretien des outils électriques... 13		7.2	Lubrifiez la lame.....	17
2.5	Service.....	14	<b>8</b>	<b>Entreposez la machine.....</b>	<b>17</b>
2.6	Électrique.....	14	<b>9</b>	<b>Dépannage.....</b>	<b>18</b>
2.7	Avertissements de sécurité de la taille-haie..... 14		<b>10</b>	<b>Données techniques.....</b>	<b>18</b>
2.8	Proposition 65.....	15	<b>11</b>	<b>Garantie limitée.....</b>	<b>18</b>
<b>3</b>	<b>Sécurité des enfants.....</b>	<b>15</b>	<b>12</b>	<b>Vue éclatées.....</b>	<b>20</b>
<b>4</b>	<b>Symboles figurant sur la</b>				
	<b>machine.....</b>	<b>15</b>			

## 1 DESCRIPTION

### 1.1 BUT

Cette machine est destinée à la taille et à l'élagage des haies et des buissons à la maison. Elle n'est pas destinée à être utilisée pour couper au-dessus de l'épaule.

### 1.2 APERÇU



- |   |                                    |   |                                 |
|---|------------------------------------|---|---------------------------------|
| 1 | Lame                               | 5 | Gâchette                        |
| 2 | Garde protectrice                  | 6 | Dispositif de retenue du cordon |
| 3 | Poignée auxiliaire                 | 7 | Poignée arrière                 |
| 4 | Bouton de verrouillage de sécurité |   |                                 |

## 2 AVERTISSEMENTS GÉNÉRAUX DE SÉCURITÉ DES OUTILS ÉLECTRIQUES

### ▲ AVERTISSEMENT

Lisez tous les avertissements de sécurité et toutes les instructions. Le non-respect de ces avertissements et de ces instructions peut entraîner un choc électrique, un incendie et/ou des blessures graves.

Conservez tous les avertissements et instructions pour référence ultérieure.

Le terme « outil électrique » dans les avertissements se réfère à votre outil électrique alimenté (cordés) par secteur.

### 2.1 SÉCURITÉ DE LA ZONE DE TRAVAIL

- **Gardez la zone de travail propre et bien éclairée.** Les endroits encombrés ou sombres favorisent les accidents.
- **N'utilisez pas les outils électriques dans des environnements explosifs, par exemple en présence de liquides, gaz ou poussières inflammables.** La mise en marche des outils électriques crée des étincelles qui peuvent enflammer la poussière ou les vapeurs.

- **Tenez les enfants et les curieux à l'écart lorsque vous utilisez un outil électrique.** Les distractions peuvent vous faire perdre le contrôle.

### 2.2 SÉCURITÉ ÉLECTRIQUE

- **N'exposez pas les outils électriques à la pluie ou à des conditions humides.** L'eau qui pénètre dans un outil électrique augmente le risque de choc électrique.

### 2.3 SÉCURITÉS DES PERSONNES

- **Restez vigilant, soyez attentif à ce que vous faites et faites preuve de bon sens lorsque vous utilisez un outil électrique. N'utilisez pas l'appareil lorsque vous êtes fatigué, sous l'emprise de l'alcool ou de drogues ou après avoir pris des médicaments.** Un simple moment d'inattention lors de l'utilisation d'un outil électrique peut provoquer des blessures corporelles graves.
- **Utilisez des équipements de protection individuelle. Portez toujours des lunettes de protection.** L'utilisation d'équipements de protection adaptés aux conditions de travail (masque anti-poussières, chaussures de sécurité antidérapantes, casque et protections auditives etc.) permet de réduire les risques de blessures corporelles.
- **Évitez tout démarrage accidentel. Assurez-vous que l'interrupteur est en position d'arrêt avant de brancher à la source d'alimentation et/ou le bloc-batterie et quand vous soulevez ou transportez l'appareil.** Transporter un outil électrique avec un doigt sur l'interrupteur ou le brancher sur une alimentation électrique alors que son interrupteur est en position marche favorise les accidents.
- **Ne vous penchez pas trop en avant. Gardez un bon équilibre en tout temps.** Ceci permet un meilleur contrôle de l'outil électrique dans des situations inattendues.
- **Habillez-vous correctement. Ne portez pas de vêtements amples ou de bijoux. Veillez à ne pas approcher vos cheveux, vos vêtements et vos gants des pièces en mouvement.** Les vêtements amples, les bijoux et les cheveux longs peuvent se prendre dans les pièces en mouvement.

### 2.4 UTILISATION ET ENTRETIEN DES OUTILS ÉLECTRIQUES

- **Ne forcez pas l'outil électrique. Utilisez l'outil électrique adapté à votre application.** L'outil électrique approprié fera mieux le travail et sera plus sécuritaire au rythme pour lequel il a été conçu.
- **N'utilisez pas l'outil électrique si l'interrupteur ne le met pas en marche ou à l'arrêt.** Tout outil électrique qui ne peut pas être contrôlé avec l'interrupteur est dangereux et doit être réparé.
- **Débranchez la prise de la source d'alimentation et/ou du bloc-batterie avant d'effectuer des réglages, de changer des accessoires ou de ranger l'outil électrique.**

*De telles mesures de sécurité préventives réduisent le risque de démarrage accidentel de l'outil électrique.*

- **Rangez les outils électriques inutilisés hors de portée des enfants et ne laissez pas des personnes qui se sont familiarisées avec l'outil électrique ou ces instructions l'utiliser.** *Les outils électriques sont dangereux entre les mains des utilisateurs non formés.*
- **Entretenez les outils électriques. Vérifiez le désalignement des pièces mobiles ou la fixation des pièces mobiles, la cassure des pièces et toute autre condition qui pourrait affecter le fonctionnement de l'outil électrique. Si il est endommagé, faites réparer l'outil électrique avant de l'utiliser.** *De nombreux accidents sont causés par des outils électriques mal entretenus.*
- **Gardez les outils de coupe propres et tranchants.** *Les outils de coupe bien entretenus avec des bords tranchants sont moins susceptibles de se coincer et sont plus faciles à contrôler.*
- **Utilisez l'outil électrique, les accessoires, les mèches, etc. conformément à ces instructions, en tenant compte des conditions de travail et des travaux à effectuer.** *L'utilisation de l'outil motorisé pour des opérations différentes de celles prévues pourrait entraîner une situation dangereuse.*

## 2.5 SERVICE

- **Faites effectuer l'entretien de votre outil électrique par un réparateur qualifié en n'utilisant que des pièces de rechange identiques.** *Cela garantira le maintien de la sécurité de l'outil électrique.*

## 2.6 ÉLECTRIQUE

### ▲ AVERTISSEMENT

Le système à double isolation est destiné à protéger l'utilisateur contre les chocs résultant d'une rupture de l'isolation interne de l'outil. Respectez toutes les mesures de sécurité normales pour éviter les chocs électriques.

### Connexion électrique

Ce produit est équipé d'un moteur électrique de précision. Il doit être raccordé à une source d'alimentation de 120 V, CA seulement (courant domestique normal), 60 Hz. N'utilisez pas cet appareil avec du courant continu (C.C). Une chute de tension importante entraînera une perte de puissance et le moteur surchauffera. Si l'appareil ne fonctionne pas lorsqu'il est branché dans une prise de courant, vérifiez à nouveau l'alimentation électrique.

### Rallonges électriques

Lorsque vous utilisez un outil électrique à une distance considérable d'une source d'alimentation, assurez-vous d'utiliser une rallonge électrique capable de supporter le courant que le produit consommera. Un cordon d'alimentation trop petit provoquera une chute de la tension secteur, ce qui entraînera une surchauffe et une perte de puissance. Utilisez

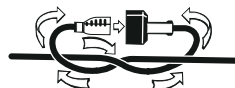
le tableau pour déterminer la taille minimale de fil requise pour une rallonge électrique. Seuls les cordons à gaine ronde homologués par les Underwriter's Laboratories (UL) doivent être utilisés.

Lorsque vous travaillez à l'extérieur avec un produit, utilisez une rallonge électrique conçue pour un usage extérieur. Ce type de cordon est désigné par la mention « W-A » ou « W » sur la gaine du cordon.

Avant d'utiliser une rallonge électrique, vérifiez qu'il n'y a pas de fils détachés ou exposés et qu'il n'y a pas d'isolant coupé ou usé.

Une rallonge électrique appropriée est disponible dans un centre de service autorisé.

Il est possible d'attacher la rallonge et le cordon d'alimentation dans un nœud pour éviter qu'ils ne se débranchent pendant l'utilisation. Faites le nœud comme indiqué sur la figure, puis branchez l'extrémité de la fiche du cordon d'alimentation dans l'extrémité de la prise du cordon d'extension. Cette méthode peut également être utilisée pour attacher deux rallonges électriques ensemble.



### Jauge minimale pour rallonges (AWG)

(en cas d'utilisation de 120 V uniquement)

Capacité nominale	Longueur totale du cordon en mètres (pieds)			
	Pas plus de	7,6 m (25')	15 m (50')	30,4 m (100')
0	6	18	16	16
6	10	18	16	14
10	12	16	16	14

Gardez la rallonge électrique à l'écart de la zone de travail. Placez le cordon de manière à ce qu'il ne se coince pas dans le bois, les outils ou d'autres obstructions lorsque vous travaillez avec un outil électrique. Le non-respect de cette consigne peut entraîner des blessures corporelles.

Vérifiez les rallonges électriques avant chaque utilisation. S'il est endommagé, remplacez-le immédiatement. N'utilisez jamais l'appareil si le cordon d'alimentation est endommagé, car tout contact avec la zone endommagée pourrait provoquer un choc électrique et entraîner des blessures graves.

## 2.7 AVERTISSEMENTS DE SÉCURITÉ DE LA TAILLE-HAIE

- **Utilisez vos deux mains lorsque vous utilisez le taille-haie. L'utilisation d'une seule main peut entraîner une perte de contrôle et des blessures graves.**

- **Veillez à ce qu'aucune partie du corps ne s'approche de la lame de coupe. N'enlevez pas le matériau coupé et ne retenez pas le matériau à couper lorsque les lames sont en mouvement. Les lames continuent de tourner après l'arrêt du moteur. Assurez-vous que l'interrupteur est éteint lorsque vous enlevez le matériel coincé.** *Un simple moment d'inattention lors de l'utilisation de la taille-haie peut provoquer des blessures corporelles graves.*
- **Portez le taille-haie près de la poignée, lorsque la lame de coupe est arrêtée. Quand vous transportez ou rangez le taille-haie, placez toujours le couvercle du dispositif de coupe.** *Une manipulation correcte du taille-haie réduira les risques de blessures corporelles causées par la lame de coupe.*
- **Tenez toujours l'outil électrique par ses poignées isolantes, parce que la lame de coupe entrera en contact avec un fil électrique caché.** *Les lames de coupe en contact avec un fil sous tension peuvent faire exposer les parties métalliques sous tension et donner un choc électrique à l'opérateur.*
- **DANGER - Tenez vos mains éloignées de la lame.** *Le contact avec la lame peut entraîner des blessures graves.*
- **Gardez le câble éloigné de la zone de coupe.** *Pendant le fonctionnement, le câble peut être caché dans des arbustes et peut être coupé accidentellement par la lame.*
- **Rangez toujours les outils électriques inutilisés à l'intérieur.** *Lorsqu'ils ne sont pas utilisés, entreposez-les à l'intérieur dans un endroit sec, hors de portée des enfants.*

## 2.8 PROPOSITION 65

### ▲ AVERTISSEMENT

Ce produit contient un produit chimique connu dans l'état de Californie comme étant une cause de cancer, de malformations congénitales ou d'autres problèmes de reproduction. Certaines poussières produites par le ponçage mécanique, le sciage, le meulage, le perçage et d'autres activités de construction contiennent des produits chimiques connus pour causer le cancer, des malformations congénitales ou d'autres problèmes de reproduction. Voici quelques exemples de ces produits chimiques :

- Plomb provenant de peintures à base de plomb;
- Silice cristalline provenant de briques, de ciment et d'autres produits de maçonnerie;
- Arsenic et chrome provenant de bois traité chimiquement.

Votre risque d'exposition à ces produits chimiques varie selon la fréquence à laquelle vous faites ce type de travail. Pour réduire votre exposition à ces produits chimiques, travaillez dans un endroit bien ventilé et utilisez un équipement de sécurité approuvé, comme des masques anti-poussière spécialement conçus pour filtrer les particules microscopiques.

Conservez ces instructions







## 3 SÉCURITÉ DES ENFANTS

Des accidents tragiques peuvent se produire si l'opérateur n'est pas au courant de la présence des enfants.





- Éloignez les enfants de la zone de travail et placez-les sous la surveillance d'un adulte responsable.
- Ne laissez pas un enfant de moins de 14 ans utiliser cette machine. Les enfants de 14 ans et plus doivent lire et comprendre les instructions d'utilisation et les règles de sécurité contenues dans ce manuel et doivent être formés et supervisés par un parent.
- Restez vigilant et éteignez la machine si un enfant ou une autre personne entre dans la zone de travail.
- Soyez extrêmement prudent lorsque vous vous approchez d'un angle mort, d'une porte, d'un arbuste, d'un arbre ou de tout autre objet qui pourrait masquer la vue d'un enfant qui pourrait se heurter à la machine.

## 4 SYMBOLES FIGURANT SUR LA MACHINE

Certains des symboles suivants peuvent être utilisés sur ce produit. Veuillez les étudier et apprendre leur signification. Une bonne interprétation de ces symboles vous permettra de mieux utiliser le produit et de manière plus sécuritaire.




Symbole	Explication
V	Voltage
A	Courant
Hz	Fréquence (cycles par seconde)
W	Puissance
min	Heure
	Type ou caractéristique du courant
	Précautions destinées à assurer la sécurité.
	Lisez et comprenez toutes les instructions avant d'utiliser cette machine, et suivez tous les avertissements et les consignes de sécurité.
	Portez toujours des lunettes de protection avec des protections latérales marquées conformément à la norme ANSI Z87.1 lorsque vous utilisez cet équipement.
	Les objets projetés peuvent ricocher et causer des blessures corporelles ou des dommages matériels. Portez des vêtements et des bottes de protection.
	Portez des gants antidérapants et résistants.



Symbole	Explication
	Tenez tous les curieux à une distance d'au moins 15 m.
	Ne pas exposer la machine à la pluie ou à l'humidité.
	Danger – Gardez les mains et les pieds éloignés de la lame.
	Conception à double isolation

## 5 NIVEAUX DE RISQUES

Les termes de mise en garde suivants et leur signification ont pour but d'expliquer les niveaux de risques associés à l'utilisation de ce produit.

SYMBOL	SIGNAL	SIGNIFICATION
	DANGER	Indique une situation dangereuse imminente qui, si elle n'est pas évitée, peut entraîner la mort ou des blessures graves.
	AVERTISSEMENT	Indique une situation potentiellement dangereuse qui, si elle n'est pas évitée, peut entraîner la mort ou des blessures graves.
	MISE EN GARDE	Indique une situation potentiellement dangereuse qui, si elle n'est pas évitée, pourrait causer des blessures mineures ou modérées.
	MISE EN GARDE	(Sans symbole d'alerte de sécurité) Indique une situation pouvant entraîner des dommages matériels.

## 6 UTILISATION

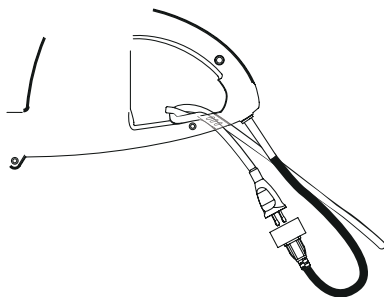
- Touchez la lame avec précaution.
- Ne mettez pas vos doigts dans les entailles ou dans une position où ils peuvent se couper.
- Ne touchez pas la lame avant de débrancher la fiche de la source d'alimentation.
- N'utilisez pas la machine si la lame est endommagée ou pliée.
- Retirez tous les objets tels que cordons, lumières, fils ou ficelles qui peuvent s'emmêler dans la lame de coupe et créer un risque de blessures corporelles.

### ▲ AVERTISSEMENT

Si la lame se bloque sur un cordon ou une ligne électrique, **NE TOUCHEZ PAS LA LAME! ELLE PEUT SOUS TENSION VIVANTE ET DANGEREUSE.** Procédez comme suit :

1. Tenez la poignée arrière isolée ou posez la machine à terre et éloignez de vous d'elle.
2. Débranchez l'alimentation électrique de la ligne ou du cordon endommagé avant d'essayer de libérer la lame.

### 6.1 BRANCHEZ LE CORDON D'ALIMENTATION



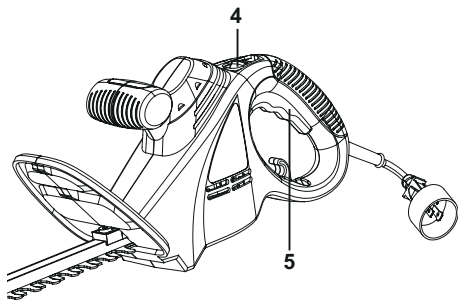
Ce produit est doté d'un dispositif de retenue du cordon qui empêche le cordon d'extension de se détacher lors de l'utilisation.

1. Formez une boucle avec l'extrémité de la rallonge électrique.
2. Insérez la partie en boucle de la rallonge par l'ouverture située au bas de la poignée arrière et faites-la passer par-dessus le dispositif de retenue du cordon.
3. Tirez doucement la boucle contre le dispositif de retenue jusqu'à ce que le cordon soit tendu.
4. Branchez le produit dans une rallonge électrique.

### i REMARQUE

Si le cordon d'alimentation branché dans la rallonge n'est pas tendu, la fiche pourrait se détacher de la prise de courant.

## 6.2 DÉMARREZ LA MACHINE



1. Attachez une rallonge à votre machine.
2. Placez une main sur la poignée de déclenchement. Placez l'autre main sur la poignée auxiliaire.
3. Faites glisser le bouton de verrouillage de sécurité (4).
4. Appuyez sur la gâchette (5).
5. Relâchez le bouton de verrouillage de sécurité.

### ▲ AVERTISSEMENT

Tenez la machine avec les deux mains pendant le fonctionnement.

### i REMARQUE

Si la machine tombe accidentellement, elle s'arrête et la lame s'arrête complètement après quelques secondes. La machine se bloque alors sur ARRÊT.

### ▲ ATTENTION

Lorsque la machine est en marche, gardez la rallonge derrière la machine.

## 6.3 ARRÊTEZ LA MACHINE

1. Lâchez la gâchette pour arrêter la machine.

## 6.4 CONSEILS SUR L'UTILISATION

- N'utilisez pas la machine dans des arbustes denses. Cela pourrait bloquer la lame. Si la lame se bloque,
  1. la machine est arrêtée.
  2. Déconnectez la fiche de la source d'alimentation.
  3. Éliminez le blocage.
- Ne tentez pas de couper des tiges ou des branches trop grosses.
- Portez des gants.
- Coupez les nouvelles pousses en effectuant un mouvement de balayage large pour que les tiges entrent en contact directement avec la lame.
- Vous pouvez utiliser une ficelle pour ajuster la hauteur de la haie.

1. Tendez un bout de ficelle le long de la haie à la hauteur désirée.
2. Coupez la haie juste au-dessus de cette ficelle.
3. Coupez un côté de la haie jusqu'à ce qu'il soit plus étroit en haut. Une plus grande partie de la haie sera ainsi visible.

## 7 ENTRETIEN

### ▲ ATTENTION

Évitez que les liquides de freins, l'essence et les matériaux à base de pétrole ne viennent en contact avec les pièces en plastique. Les produits chimiques peuvent endommager le plastique et le rendre inutilisable.

### ▲ ATTENTION

N'utilisez pas de solvants ou de détergents puissants sur le boîtier ou les composants en plastique.

### ▲ AVERTISSEMENT

Débranchez la prise secteur avant l'entretien.

## 7.1 NETTOYEZ LA MACHINE

### ▲ AVERTISSEMENT

Veillez à ce que la machine et le moteur soient exempts de feuilles, de branches ou d'huile excessive afin d'éviter tout risque d'incendie.

- Utilisez un chiffon humide et un détergent doux pour nettoyer la machine.
- Nettoyez toute l'humidité avec un chiffon doux et sec.
- Utilisez une petite brosse pour nettoyer les événements d'aération.

## 7.2 LUBRIFIEZ LA LAME

Pour augmenter l'efficacité et la durée de vie des lames, lubrifiez-les soigneusement après chaque séance de travail :

- Placez la machine sur une surface plane et régulière.
- Utilisez un chiffon doux pour nettoyer les lames et une brosse pour enlever la saleté.
- Utilisez une légère couche d'huile pour lubrifier les lames le long du bord supérieur de la lame.

### i REMARQUE

Nous recommandons d'utiliser une huile non polluante.

## 8 ENTREPOSEZ LA MACHINE

- Nettoyez la machine avant de le stockage.
- Assurez-vous que le moteur n'est pas chaud lorsque vous entreposez la machine.

- Assurez-vous que la machine n'a pas de pièces mal fixées ou endommagées. Au besoin, suivez ces étapes/instructions :
  - Remplacez les pièces endommagées.
  - Serrez les écrous.
  - Parlez à une personne d'un centre de service certifié.
- Entreposez la machine dans un endroit sec.
- Assurez-vous que les enfants ne peuvent pas s'approcher de la machine.

## 9 DÉPANNAGE

Problème	Cause possible	Solution
Le moteur ne démarre pas lorsque vous appuyez sur la gâchette.	Le cordon d'alimentation n'est pas branché.	Branchez le cordon.
	Le cordon d'alimentation ou l'interrupteur est endommagé.	Remplacez le cordon ou l'interrupteur.
La machine dégage de la fumée pendant le fonctionnement.	La machine est endommagée.	<ol style="list-style-type: none"> <li>Arrêtez la machine immédiatement.</li> <li>Déconnectez la fiche de la source d'alimentation.</li> <li>Communiquez avec le centre de service.</li> </ol>
Le moteur marche, mais les lames ne bougent pas.	La machine est endommagée.	N'utilisez pas la machine et communiquez avec le centre de service.
	Les lames sont bloquées.	Débranchez la fiche de la source d'alimentation, puis dégagez les lames.

Problème	Cause possible	Solution
Il y a trop de bruit et/ou de vibrations pendant le fonctionnement.	Les pièces sont desserrées.	<ol style="list-style-type: none"> <li>Arrêtez la machine.</li> <li>Déconnectez la fiche de la source d'alimentation.</li> <li>Vérifiez qu'elle n'est pas endommagée.</li> <li>Vérifiez et serrez les pièces desserrées.</li> </ol>
	Les pièces sont endommagées.	N'utilisez pas la machine et communiquez avec le centre de service.

## 10 DONNÉES TECHNIQUES

Voltage	120 V
Vitesse à vide	3200 (±10%) SPM
Longueur de la lame	18"
Capacité de coupe	3/8"
Poids	2.3 kg (5.1 lbs.)

## 11 GARANTIE LIMITÉE



Greenworks garantit par la présente ce produit, à l'acheteur original avec preuve d'achat, pour une période de trois (3) ans contre tout défaut de matériaux, de pièces ou de main-d'œuvre. Greenworks, à sa propre discrétion, réparera ou remplacera toutes les pièces défectueuses, dans des conditions normales d'utilisation, sans frais pour le client. Cette garantie n'est valable que pour les appareils qui ont été utilisés à des fins personnelles, qui n'ont pas été loués à des fins industrielles ou commerciales et qui ont été entretenus conformément aux instructions du manuel du propriétaire fourni avec le produit neuf.

### ARTICLES NON COUVERTS PAR LA GARANTIE :

- Toute pièce qui est devenue inopérante en raison d'une mauvaise utilisation, d'une utilisation commerciale, d'un

- abus, d'une négligence, d'un accident, d'un entretien inapproprié ou d'une modification ; ou
2. L'appareil, s'il n'a pas été utilisé et/ou entretenu conformément au manuel du propriétaire ; ou
  3. Usure normale, sauf comme indiqué ci-dessous ;
  4. Articles d'entretien courant tels que lubrifiants, affûtage des lames ;
  5. Détérioration normale du fini extérieur due à l'utilisation ou à l'exposition.

## **ASSISTANCE TÉLÉPHONIQUE :**

Le service de garantie est disponible en appelant notre ligne d'assistance téléphonique sans frais, au 1-888-909-6757.

## **FRAIS DE TRANSPORT :**

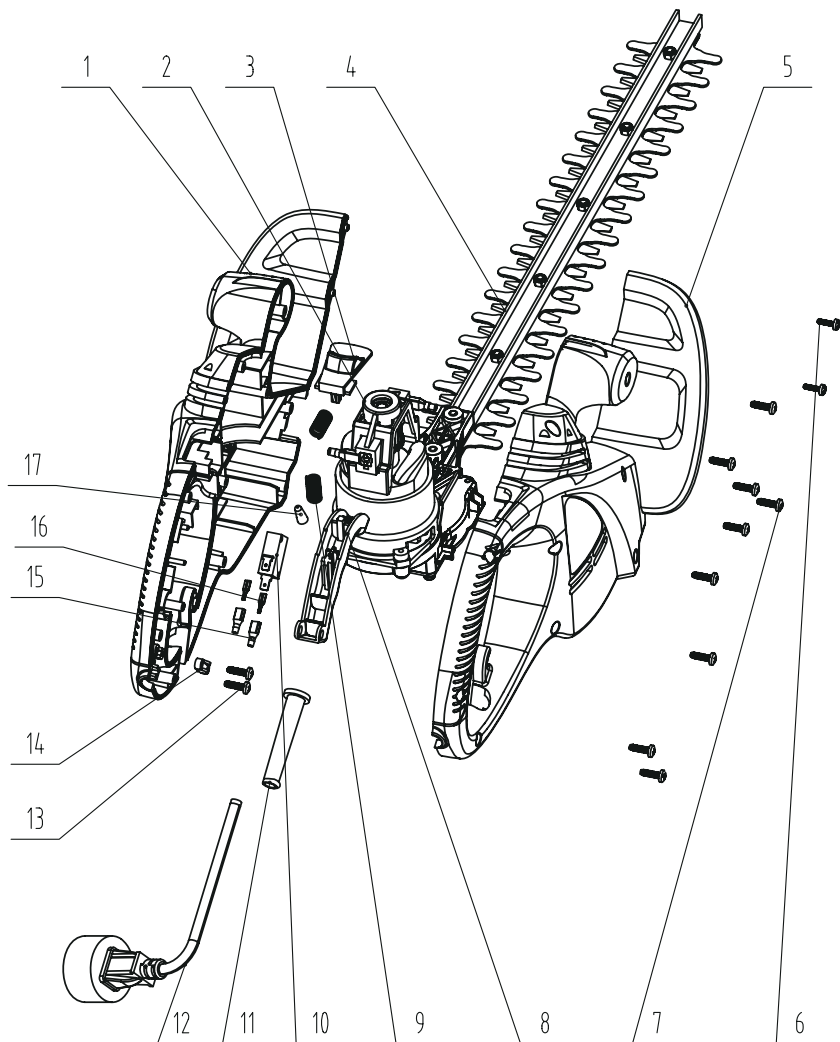
Les frais de transport pour le déplacement de tout équipement motorisé ou accessoire sont à la charge de l'acheteur. Il incombe à l'acheteur de payer les frais de transport pour toute pièce retournée pour remplacement en vertu de la présente garantie, à moins qu'un tel retour soit demandé par écrit par Greenworks.

### **Adresse aux États-Unis : Adresse au Canada :**

Greenworks Tools	Greenworks Tools Canada Inc.
P.O. Box 1238	1110 Stellar Drive Unit 102
Mooresville, NC 28115	Newmarket, ON, L3Y 7B7

## 12 VUE ÉCLATÉES

FR



NO DE RÉF.	NO DE PIÈCE	DESCRIPTION	QTÉ
1	31301169-3	Boîtier gauche	1
2	36101169	Moteur	1
3	34101169-1	Bouton de verrouillage de sécurité	1
4	31102169-1	Ensemble de la lame	1
5	31301169-4	Boîtier droit	1
6	3220203	Vis	2

## Français

7	3220313	Vis	10
8	34102169-1	Gâchette	1
9	33402161	Ressort	2
10	36303152	Interrupteur	1
11	34201169	Dispositif de décharge de traction	1
12	36401169	Cordon d'alimentation	1
13	3220345	Vis	2
14	3410302	Pince du fil	1
15	34901161	Bague	2
16	36503161	Borne	2
17	36504161	Capuchon	1

FR

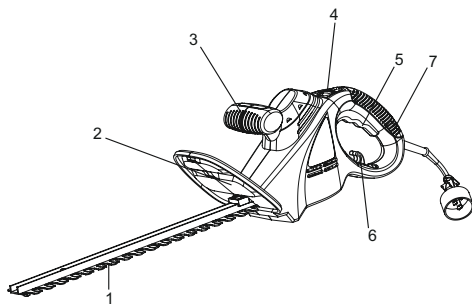
<b>1</b>	<b>Descripción.....</b>	<b>23</b>	<b>4</b>	<b>Símbolos en el producto.....</b>	<b>25</b>
1.1	Finalidad.....	23	<b>5</b>	<b>Niveles de riesgo.....</b>	<b>26</b>
1.2	Perspectiva general.....	23	<b>6</b>	<b>Funcionamiento.....</b>	<b>26</b>
<b>2</b>	<b>Advertencias generales de seguridad para herramientas eléctricas.....</b>	<b>23</b>	6.1	Conexión al cable de alimentación.....	26
2.1	Seguridad de la zona de trabajo.....	23	6.2	Puesta en marcha de la máquina.....	27
2.2	Seguridad eléctrica.....	23	6.3	Detención de la máquina.....	27
2.3	Seguridad personal.....	23	6.4	Consejos de funcionamiento.....	27
2.4	Utilización y cuidado de herramientas eléctricas.....	23	<b>7</b>	<b>Mantenimiento.....</b>	<b>27</b>
2.5	Servicio.....	24	7.1	Limpieza de la máquina.....	27
2.6	Sistema eléctrico.....	24	7.2	Lubricación de la cuchilla.....	27
2.7	Advertencias de seguridad relativas al cortasetos.....	25	<b>8</b>	<b>Almacenamiento de la máquina.....</b>	<b>28</b>
2.8	Propuesta 65.....	25	<b>9</b>	<b>Solución de problemas.....</b>	<b>28</b>
<b>3</b>	<b>Seguridad infantil.....</b>	<b>25</b>	<b>10</b>	<b>Datos técnicos.....</b>	<b>28</b>
			<b>11</b>	<b>Garantía limitada.....</b>	<b>28</b>
			<b>12</b>	<b>Vista despiezada.....</b>	<b>30</b>

## 1 DESCRIPCIÓN

### 1.1 FINALIDAD

Esta máquina se ha diseñado para cortar y podar setos y arbustos en un entorno doméstico. No se ha diseñado para cortes por encima del nivel del hombro.

### 1.2 PERSPECTIVA GENERAL



- |                                 |                       |
|---------------------------------|-----------------------|
| 1 Cuchilla                      | 5 Gatillo             |
| 2 Protección                    | 6 Retención del cable |
| 3 Asa auxiliar                  | 7 Asa posterior       |
| 4 Botón de bloqueo de seguridad |                       |

## 2 ADVERTENCIAS GENERALES DE SEGURIDAD PARA HERRAMIENTAS ELÉCTRICAS

### ▲ AVISO

Lea todas las advertencias de seguridad y todas las instrucciones. El incumplimiento de las advertencias e instrucciones puede provocar descargas eléctricas, incendios o lesiones graves.

Guarde todas las advertencias e instrucciones para su consulta posterior.

El término “herramienta eléctrica” empleado en las advertencias se refiere a su herramienta eléctrica con funcionamiento de red (con cable).

### 2.1 SEGURIDAD DE LA ZONA DE TRABAJO

- Mantenga limpia y bien iluminada la zona de trabajo. Las zonas desordenadas u oscuras fomentan los accidentes.
- No utilice herramientas eléctricas en atmósferas explosivas, como en la presencia de líquidos, gases o polvo que puedan inflamarse. Las herramientas

eléctricas generan chispas que pueden encender el polvo o los gases.

- Mantenga alejados a los niños y los transeúntes mientras utilice una herramienta eléctrica. Las distracciones pueden hacer que pierda el control.

### 2.2 SEGURIDAD ELÉCTRICA

- No exponga las herramientas eléctricas a la lluvia ni a condiciones de humedad. Si penetra agua en una herramienta eléctrica, aumentará el riesgo de descarga eléctrica.

### 2.3 SEGURIDAD PERSONAL

- Manténgase alerta, observe lo que está haciendo y emplee el sentido común cuando utilice una herramienta eléctrica. No utilice una herramienta eléctrica mientras esté cansado o bajo la influencia de drogas, alcohol o medicamentos. Una falta de atención durante el uso de herramientas eléctricas puede provocar lesiones personales graves.
- Utilice protección personal. Lleve siempre protección ocular. Si se utilizan correctamente productos de protección como máscaras antipolvo, zapatos de seguridad antideslizantes, cascos o protecciones auditivas, se reducirán las lesiones personales.
- Evite el arranque accidental. Asegúrese de que el interruptor esté en la posición de apagado antes de conectar a la fuente de alimentación o a la batería y al coger o transportar la herramienta. El transporte de herramientas eléctricas con el dedo en el interruptor o la conexión de herramientas eléctricas que tienen el interruptor activado fomenta los accidentes.
- No se estire. Mantenga en todo momento una postura adecuada y el equilibrio. Esto permite un mejor control de la herramienta eléctrica en situaciones inesperadas.
- Lleve indumentaria adecuada. No lleve ropa o joyas sueltas. Mantenga el cabello, la ropa y los guantes lejos de las piezas móviles. La ropa suelta, las joyas o el cabello largo pueden quedar atrapados en las piezas móviles.

### 2.4 UTILIZACIÓN Y CUIDADO DE HERRAMIENTAS ELÉCTRICAS

- No fuerce la herramienta eléctrica. Utilice la herramienta eléctrica correcta para su aplicación. La herramienta eléctrica correcta hará el trabajo mejor y con mayor seguridad a la velocidad para la que se diseñó.
- No utilice la herramienta eléctrica si el interruptor no la enciende y la apaga. Cualquier herramienta eléctrica que no pueda controlarse con el interruptor es peligrosa y debe repararse.
- Desconecte el enchufe de la fuente de alimentación o la batería de la herramienta eléctrica antes de realizar ajustes, cambiar accesorios o almacenar herramientas eléctricas. Estas medidas de seguridad preventivas



reducen el riesgo de que la herramienta eléctrica se arranque accidentalmente.

- **Almacene las herramientas eléctricas inactivas fuera del alcance de los niños y no permita que personas que no estén familiarizadas con la herramienta eléctrica o estas instrucciones puedan utilizarla.** *Las herramientas eléctricas son peligrosas en manos de usuarios inexpertos.*
- **Realice el mantenimiento de las herramientas eléctricas. Compruebe si hay desalineación o unión de las piezas móviles, rotura de piezas y cualquier otra condición que pueda afectar al funcionamiento de la herramienta eléctrica. Si ha sufrido daños, lleve a reparar la herramienta eléctrica antes del uso.** *Numerosas accidentes se deben a herramientas eléctricas mal mantenidas.*
- **Mantenga limpias y afiladas las herramientas de corte.** *Las herramientas de corte mantenidas correctamente con filos cortantes tienen menos probabilidades de atascarse y son más fáciles de controlar.*
- **Utilice la herramienta eléctrica, los accesorios, las brocas, etc. de acuerdo con estas instrucciones, teniendo en cuenta las condiciones de trabajo y el trabajo a realizar.** *El uso de la herramienta eléctrica para operaciones distintas de las previstas podría dar lugar a una situación peligrosa.*

## 2.5 SERVICIO

- **Solicite a un técnico de reparación cualificado que realice las tareas de servicio de su herramienta eléctrica utilizando únicamente piezas de repuesto idénticas.** *Esto garantizará el mantenimiento de la seguridad de la herramienta eléctrica.*

## 2.6 SISTEMA ELÉCTRICO

### ▲ AVISO

El sistema de doble aislamiento se ha diseñado para proteger al usuario de descargas que resulten de una ruptura en el aislamiento interno de la herramienta. Respete todas las precauciones de seguridad habituales para evitar descargas eléctricas.

### Conexión eléctrica

Este producto tiene un motor eléctrico fabricado con precisión. Debe conectarse a una fuente de alimentación de 120 V, únicamente CA (corriente doméstica habitual), 60 Hz. No utilice este producto con corriente continua (CC). Una caída de tensión considerable provocará una pérdida de potencia y el motor se sobrecalentará. Si el producto no funciona cuando está enchufado a una toma, haga una doble comprobación de la fuente de alimentación.

### Cables alargadores

Cuando utilice una herramienta eléctrica a una distancia considerable de una fuente de alimentación, asegúrese de

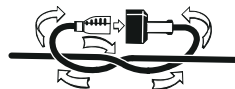
utilizar un cable alargador que tenga la capacidad de manejar la corriente que utilizará el producto. Un cable de tamaño insuficiente producirá una caída en la tensión de la línea, lo que a su vez generará sobrecalentamiento y pérdida de energía. Utilice el gráfico para determinar el tamaño mínimo de cable necesario en un cable alargador. Únicamente deben utilizarse cables redondos revestidos con certificación de Underwriter's Laboratories (UL).

Cuando trabaje en el exterior con un producto, utilice un cable alargador que se haya diseñado para uso en exterior. Este tipo de cable está designado "W-A" o "W" en el revestimiento del cable.

Antes de utilizar cualquier cable alargador, inspeccione si hay hilos sueltos o expuestos y si el aislamiento está cortado o desgastado.

Puede encontrar un cable alargador adecuado a través de los centros de servicio autorizados.

Es posible atar el cable alargador y el cable de alimentación en un nudo para evitar que se desconecten durante el uso. Haga el nudo como se muestra en la figura, posteriormente conecte el extremo del enchufe del cable de alimentación en el extremo del receptáculo del cable alargador. Este método también puede utilizarse para atar dos cables alargadores.



### Calibre mínimo para cables alargadores (AWG)

(únicamente cuando se utilizan 120 V)

Amperaje	Longitud total del cable en pies (metros)			
	Más de	No más de	25' (7,6 m)	50' (15 m)
0	6	18	16	16
6	10	18	16	14
10	12	16	16	14

Mantenga el cable alargador alejado de la superficie de trabajo. Coloque el cable de manera que no quede atrapado en madera, herramientas u otras obstrucciones mientras trabaja con una herramienta eléctrica. De no hacerlo podrían producirse lesiones personales graves.

Compruebe los cables alargadores antes de cada uso. En caso de daños sustituya inmediatamente. Nunca utilice el producto con un cable dañado, ya que si toca la zona dañada podría producirse una descarga eléctrica con las consiguientes lesiones graves.

## 2.7 ADVERTENCIAS DE SEGURIDAD RELATIVAS AL CORTASETOS

- **Sujete siempre el cortasetos con ambas manos mientras lo utiliza. Sujetándolo con una sola mano podría perder el control y dar lugar a lesiones físicas graves.**
- **Mantenga todas las partes del cuerpo apartadas de la cuchilla de corte. No retire el material cortado ni sujete el material a cortar mientras las cuchillas están en movimiento. Las cuchillas siguen moviéndose después de apagar el aparato. Asegúrese de que el interruptor está en la posición de apagado antes de retirar material atascado. Cualquier momento de descuido durante la utilización del cortasetos puede provocar lesiones graves.**
- **Transporte el cortasetos sujetándolo por la empuñadura y asegurándose de que la cuchilla esté parada. Durante el transporte o almacenamiento del cortasetos, coloque siempre el protector de cuchilla en la herramienta. El manejo correcto del cortasetos reducirá los riesgos de posibles lesiones debido a la cuchilla de corte.**
- **Sujete la herramienta eléctrica únicamente por sus superficies de agarre aisladas, ya que la cuchilla podría entrar en contacto con cables ocultos. El contacto de la hoja de corte con un cable bajo tensión podría transmitir a las piezas metálicas expuestas de la herramienta eléctrica la corriente transportada por el cable y hacer que el usuario reciba una descarga eléctrica.**
- **PELIGRO - Mantenga las manos alejadas de la cuchilla. El contacto con la cuchilla puede provocar lesiones graves.**
- **Mantenga el cable apartado de la zona de corte. Durante la utilización del cortasetos, el cable podría quedar oculto en la vegetación y cortarse accidentalmente con la cuchilla.**
- **Guarde las herramientas eléctricas siempre en interiores cuando no las use. Cuando no las esté utilizando, las herramientas eléctricas deberán guardarse en interiores, en un lugar seco y fuera del alcance de los niños.**

## 2.8 PROPUESTA 65

### ▲ AVISO

Este producto contiene una sustancia química conocida en el estado de California como causante de cáncer, defectos de nacimiento u otros daños reproductivos. El polvo generado por el lijado eléctrico, el serrado, el esmerilado, la perforación y otras actividades de construcción contiene sustancias químicas que se sabe que son causantes de cáncer, defectos de nacimiento u otros daños reproductivos. Algunos ejemplos de estas sustancias químicas son:

- Plomo de pinturas con base de plomo;
- Sílice cristalina de ladrillos y cemento y otros productos de albañilería;
- Arsénico y cromo de la madera tratada químicamente.

El riesgo de exposición a estas sustancias químicas varía según la frecuencia con la que realice este tipo de trabajo. Para reducir su exposición a estas sustancias químicas, trabaje en una zona bien ventilada y trabaje con equipos de seguridad aprobados, como máscaras antipolvo, que estén especialmente diseñadas para filtrar partículas microscópicas.

Conserve estas instrucciones.

## 3 SEGURIDAD INFANTIL

Pueden producirse accidentes trágicos si el operario no es consciente de la presencia de niños.










- Mantenga a los niños fuera de la zona de trabajo y bajo la vigilancia de un adulto responsable.
- No permita que niños menores de 14 años utilicen esta máquina. Los niños de 14 años y mayores deben leer y entender las instrucciones de funcionamiento y las normas de seguridad que se encuentran en este manual y deben recibir formación y supervisión por parte de uno de sus progenitores.
- Manténgase alerta y apague la máquina si un niño o cualquier otra persona entra en la zona de trabajo.
- Tenga mucho cuidado al acercarse a esquinas ciegas, portales, arbustos, árboles u otros objetos que puedan ocultar su visión de un niño que pueda correr hacia el recorrido de la máquina.

## 4 SÍMBOLOS EN EL PRODUCTO

En el producto pueden utilizarse algunos de los siguientes símbolos. Le rogamos que los estudie y aprenda su significado. La interpretación correcta de estos símbolos le permitirá manejar el producto mejor y de manera más segura.



Símbolo	Explicación
V	Tensión
A	Corriente
Hz	Frecuencia (ciclos por segundo)


ES

Símbolo	Explicación
W	Potencia
min	Tiempo
---	Tipo o una característica de corriente
	Precauciones que afectan a su seguridad.
	Debe leer y entender todas las instrucciones antes de manejar el producto, así como seguir todas las advertencias e instrucciones de seguridad.
	Lleve siempre protección ocular con protectores laterales marcada para cumplir la ANSI Z87.1 cuando utilice este equipo.
	Los objetos proyectados pueden rebotar y provocar lesiones personales o daños materiales. Lleve indumentaria de protección y botas.
	Lleve guantes antideslizantes resistentes.
	Mantenga a los transeúntes al menos a 15 metros.
	No exponga el producto a la lluvia o a condiciones de humedad.
	Peligro – mantenga las manos y los pies alejados de la cuchilla.
	Estructura con doble aislamiento

## 5 NIVELES DE RIESGO

Las siguientes indicaciones y significados tienen como fin explicar los niveles de riesgo asociados a este producto.

SÍMBOLO	INDICACIÓN	SIGNIFICADO
	PELIGRO	Indica una situación de peligro inminente que, de no evitarse, provocará lesiones graves o incluso la muerte.
	ADVERTENCIA	Indica una situación de peligro potencial que, de no evitarse, podría provocar lesiones graves o incluso la muerte.

SÍMBOLO	INDICACIÓN	SIGNIFICADO
	PRECAUCIÓN	Indica una situación de peligro potencial que, de no evitarse, puede provocar lesiones leves o moderadas.
	PRECAUCIÓN	(Sin símbolo de alerta sobre seguridad) Indica una situación que puede provocar daños materiales.

## 6 FUNCIONAMIENTO

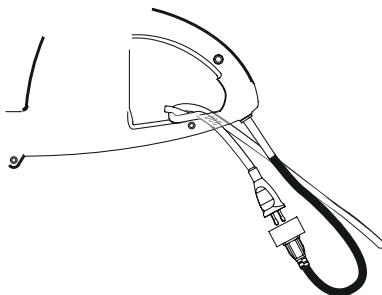
- Toque la cuchilla con cuidado.
- No meta los dedos en las muescas o en posiciones donde puedan cortarse.
- No toque la cuchilla a menos que desconecte el enchufe de la fuente de alimentación.
- No utilice la máquina si alguna pieza ha sufrido daños o está doblada.
- Retire todos los objetos, como cordones, luces, cables o cuerdas que puedan enredarse en la cuchilla de corte y generar un riesgo de lesiones personales.

### ▲ AVISO

Si la cuchilla se atasca en un cable o línea eléctrica, ¡NO TOQUE LA CUCHILLA! PUEDE TENER CORRIENTE Y SER PELIGROSA. Realice estos pasos:

1. Sujete el asa posterior aislada o deje la máquina lejos de usted.
2. Desconecte el suministro eléctrico a la línea o cable dañado antes de intentar liberar la cuchilla.

### 6.1 CONEXIÓN AL CABLE DE ALIMENTACIÓN



Este producto se ha diseñado con una retención del cable que evita que el cable alargador se suelte durante el uso.

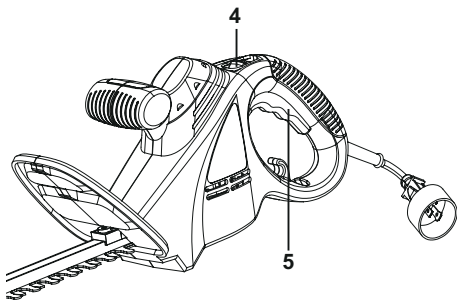
1. Forme un bucle con el extremo del cable alargador.
2. Inserte la parte de bucle del cable alargador a través de la abertura en la parte inferior del asa posterior y colóquela sobre la retención del cable.

3. Tire del bucle lentamente contra la retención del cable hasta que se elimine la holgura.
4. Enchufe el producto en el cable alargador.

### **i** NOTA

Si no se elimina toda la holgura de cable sobrante de la retención del cable alargador, el enchufe podría soltarse del receptáculo.

## 6.2 PUESTA EN MARCHA DE LA MÁQUINA



1. Conecte un cable alargador a su máquina.
2. Coloque una mano en el asa del gatillo. Coloque la otra mano en el asa auxiliar.
3. Deslice el botón de bloqueo de seguridad (4).
4. Apriete el gatillo (5).
5. Suelte el botón de bloqueo de seguridad.

### **▲** AVISO

Sujete la máquina con las dos manos durante el funcionamiento.

### **i** NOTA

Si la máquina se cae accidentalmente, se detendrá y la cuchilla se parará totalmente tras unos segundos. Posteriormente, la máquina se bloqueará.

### **▲** PRECAUCIÓN

Cuando utilice la máquina, mantenga el cable alargador detrás de la máquina.

## 6.3 DETENCIÓN DE LA MÁQUINA

1. Suelte el gatillo para detener la máquina.

## 6.4 CONSEJOS DE FUNCIONAMIENTO

- No empuje la máquina en arbustos muy densos. Esto puede provocar el bloqueo de la cuchilla. Si la cuchilla se bloquea,

1. detener la máquina.
2. Desconecte el enchufe de la fuente de alimentación.
3. elimine la obstrucción.

- No intente cortar ramas o tallos demasiado grandes.
- Lleve guantes al cortar.
- Corte el nuevo crecimiento con una acción de barrido amplia para que los tallos se coloquen directamente en la cuchilla.
- Puede utilizar una cuerda para ajustar la altura del seto.
  1. Estire un tramo de cuerda a lo largo del seto a esta altura.
  2. Corte el seto justo por encima de esta cuerda.
  3. Corte el lateral de un seto hasta que sea más estrecho en la parte superior. El seto se verá más de esa manera.

## 7 MANTENIMIENTO

### **▲** PRECAUCIÓN

No permita que líquidos de frenos, gasolina y otros derivados del petróleo toquen las piezas de plástico. Las sustancias químicas pueden dañar el plástico y hacer que quede inservible.

### **▲** PRECAUCIÓN

No utilice disolventes o detergentes fuertes en la carcasa o los componentes de plástico.

### **▲** AVISO

Desconecte el enchufe de red de la toma antes del mantenimiento.

## 7.1 LIMPIEZA DE LA MÁQUINA

### **▲** AVISO

Mantenga la máquina y el motor libres de hojas, ramas o exceso de aceite para evitar riesgos de incendio.

- Utilice un paño húmedo con un detergente suave para limpiar la máquina.
- Limpie toda la humedad con un paño suave y seco.
- Utilice un cepillo pequeño para limpiar los orificios de ventilación.

## 7.2 LUBRICACIÓN DE LA CUCHILLA

Para aumentar la eficiencia y la duración de las cuchillas, lubríquelas cuidadosamente tras cada sesión de trabajo:

- Coloque la máquina sobre una superficie plana y lisa.
- Utilice un paño suave para limpiar las cuchillas y un cepillo para eliminar más suciedad.
- Utilice una capa ligera de aceite para lubricar las cuchillas a lo largo del filo superior de la cuchilla.

## ¡ NOTA

Recomendamos utilizar aceite de tipo no contaminante.

## 8 ALMACENAMIENTO DE LA MÁQUINA

- Limpie la máquina antes del almacenamiento.
- Asegúrese de que el motor no esté caliente cuando almacene la máquina.
- Asegúrese de que la máquina no tenga piezas sueltas o dañadas. Si es necesario, siga estos pasos/estas instrucciones:
  - Sustituya las piezas dañadas.
  - Apriete los pernos.
  - Hable con una persona de un centro de servicio aprobado.
- Almacene la máquina en una zona seca.
- Asegúrese de que los niños no puedan acercarse a la máquina.

## 9 SOLUCIÓN DE PROBLEMAS

Problema	Posible causa	Solución
El motor no se pone en marcha cuando aprieta el gatillo.	Cable no enchufado.	Enchufe el cable.
	Cable o interruptor dañado.	Haga sustituir el cable o el interruptor.
La máquina echa humo durante el funcionamiento.	La máquina ha sufrido daños.	<ol style="list-style-type: none"> <li>1. Detenga la máquina inmediatamente.</li> <li>2. Desconecte el enchufe de la fuente de alimentación.</li> <li>3. Consulte con un centro de servicio.</li> </ol>
El motor está en marcha, las cuchillas no se mueven.	La máquina ha sufrido daños.	No utilice la máquina y consulte con un centro de servicio.
	Las cuchillas están bloqueadas.	Desconecte el enchufe de la fuente de alimentación, a continuación elimine la obstrucción de las cuchillas.

Problema	Posible causa	Solución
Hay demasiado ruido o vibración durante el funcionamiento.	Las piezas están sueltas.	<ol style="list-style-type: none"> <li>1. Detenga la máquina.</li> <li>2. Desconecte el enchufe de la fuente de alimentación.</li> <li>3. Inspeccione si hay daños.</li> <li>4. Compruebe y apriete las piezas sueltas.</li> </ol>
	Las piezas han sufrido daños.	No utilice la máquina y consulte con un centro de servicio.

## 10 DATOS TÉCNICOS

Tensión	120 V
Velocidad sin carga	3200 (±10%) SPM
Longitud de cuchilla	18"
Capacidad de corte	3/8"
Peso	2.3 kg (5.1 lbs.)

## 11 GARANTÍA LIMITADA



Greenworks Por la presente, se garantiza este producto al comprador original en posesión de la prueba de compra por un periodo de tres (3) años contra defectos de material, piezas o mano de obra. Greenworks, a su propia discreción, reparará o reemplazará todas y cada una de las piezas que se encuentren defectuosas, en base a un uso normal, sin costo alguno para el cliente. Esta garantía es válida para aparatos de los que se ha realizado un uso personal y no han sido alquilados para aplicaciones comerciales/industriales, y que han sido sometidos a un mantenimiento tal y como se indica en las instrucciones del manual del usuario suministrado con el producto nuevo.

### LO QUE NO CUBRE LA GARANTÍA:

1. Cualquier pieza que no funcione debido al uso incorrecto, uso comercial, abusivo, negligencia, accidente, mantenimiento inadecuado, o alteración; o

2. La unidad, si no ha sido utilizada y/o mantenida siguiendo el manual del propietario; o
3. El desgaste normal, excepto según se indica a continuación.
4. Piezas que requieren un mantenimiento rutinario como lubricantes, afilar la cuchilla;
5. El deterioro normal del acabado exterior debido al uso o exposición.

## **ASISTENCIA AL USUARIO:**

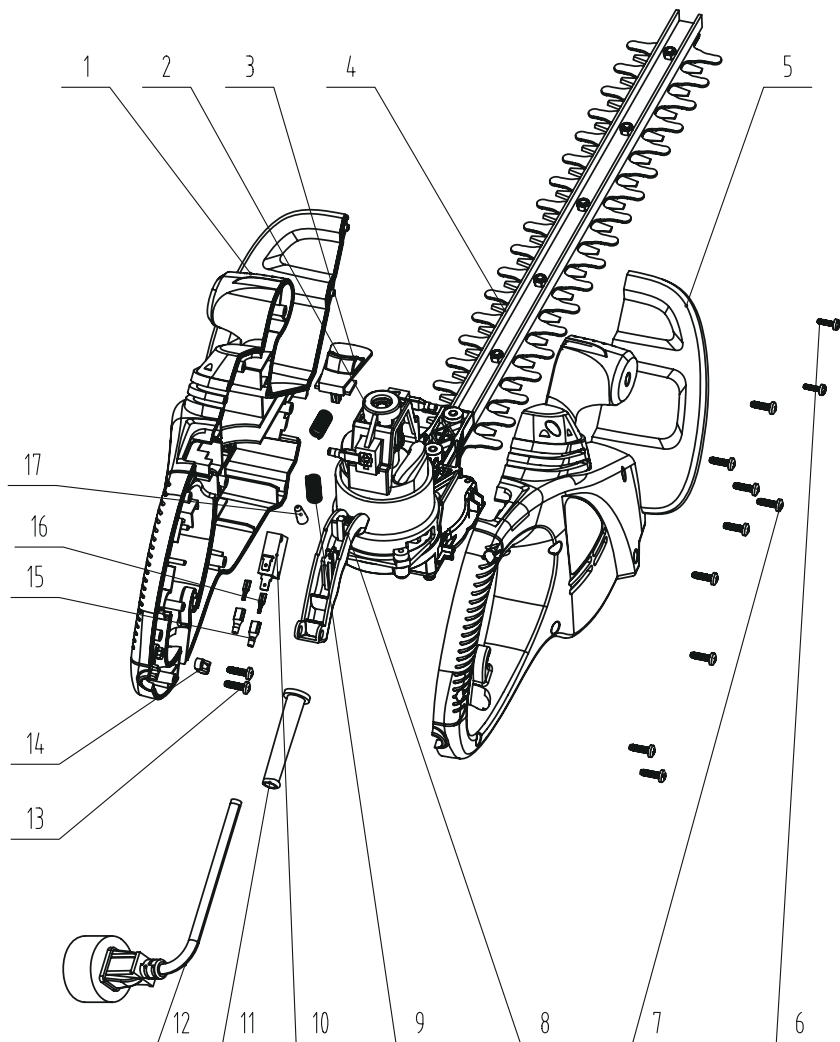
El servicio de garantía está disponible llamando a nuestra línea de asistencia gratuita al 1-888-909-6757.

## **GASTOS DE TRANSPORTE:**

Los gastos de transporte del traslado de cualquier herramienta eléctrica o accesorio será responsabilidad del comprador. Es responsabilidad del comprador pagar los gastos de transporte de cualquier pieza enviada para su reemplazo bajo esta garantía, salvo que dicha devolución sea solicitada por escrito por Greenworks.

<b>Dirección en EE.UU.:</b>	<b>Dirección en Canadá:</b>
Greenworks Tools	Greenworks Tools Canada Inc.
P.O. Box 1238	1110 Stellar Drive Unit 102
Mooresville, NC 28115	Newmarket, ON, L3Y 7B7

## 12 VISTA DESPIEZADA



Nº ARTÍCULO	Nº PIEZA	DESCRIPCIÓN	CANT.
1	31301169-3	Carcasa izquierda	1
2	36101169	Motor	1
3	34101169-1	Botón de bloqueo de seguridad	1
4	31102169-1	Conjunto de cuchilla	1
5	31301169-4	Carcasa derecha	1
6	3220203	Tornillo	2

# Español

7	3220313	Tornillo	10
8	34102169-1	Gatillo	1
9	33402161	Muelle	2
10	36303152	Interruptores	1
11	34201169	Descarga de tensión	1
12	36401169	Cable de alimentación	1
13	3220345	Tornillo	2
14	3410302	Pinza de cable	1
15	34901161	Casquillo	2
16	36503161	Terminal	2
17	36504161	Tapa	1

**ES**



