

greenworks **pro**

EN	CULTIVATOR	OPERATOR MANUAL
FR	MOTOCULTEUR	MANUEL D'OPÉRATEUR
ES	CULTIVADOR	MANUAL DEL OPERADOR



CUB401

www.greenworkstools.com

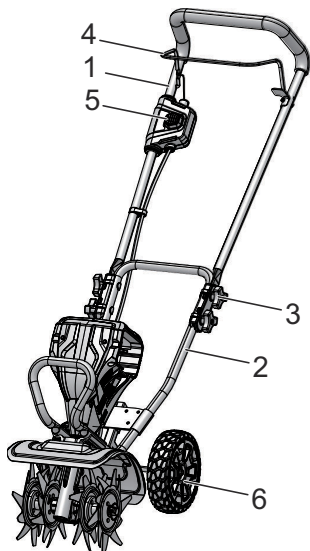
1	Description.....	4	4	Applications.....	8
1.1	Intended use.....	4	4.1	Start the machine.....	9
1.2	Overview.....	4	4.2	Stop the machine.....	9
2	General power tool safety		4.3	Narrow cultivating width.....	9
	warnings.....	4	4.4	Operation tips.....	9
2.1	Important safety instructions.....	4	5	Maintenance.....	9
2.2	Specific safety rules.....	5	5.1	Clean the machine.....	9
2.3	Symbols on the product.....	6	6	Store the machine.....	9
2.4	Risk levels.....	6	7	Troubleshooting.....	10
2.5	Environmentally safe battery disposal.....	6	8	Technical data.....	10
2.6	Proposition 65.....	7	9	Limited warranty.....	10
2.7	Save these instructions.....	7	10	Exploded view.....	11
3	Installation.....	7			
3.1	Unpack the machine.....	7			

1 DESCRIPTION

1.1 INTENDED USE

The battery-powered cultivator is intended for loosening of soil in an open garden area. This product is not intended for commercial use. Do not use for any commercial task.

1.2 OVERVIEW



- | | |
|----------------|----------------------|
| 1 Upper handle | 4 Bail switch |
| 2 Lower handle | 5 Safety lock button |
| 3 Wing nut | 6 Wheel assembly |

2 GENERAL POWER TOOL SAFETY WARNINGS

▲ WARNING

Read all safety warnings and all instructions. Failure to follow the warnings and instructions may result in electric shock, fire and/or serious injury.

Save all warnings and instructions for future reference.

The term “power tool” in the warnings refers to your battery-operated (cordless) power tool.

2.1 IMPORTANT SAFETY INSTRUCTIONS

- Use Right Appliance – Do not use appliance for any job except that for which it is intended.
- Read the operator’s manual carefully. Be thoroughly familiar with the controls and the proper use of the

equipment. Know how to stop the unit and disengage the controls quickly.

- Do not operate the machine in explosive atmospheres, such as in the presence of flammable liquids, gases, or dust. The machine creates sparks which may ignite the dust or fumes.
- Avoid body contact with grounded surfaces such as pipes, radiators, ranges, and refrigerators. There is an increased risk of electric shock if your body is grounded.
- Avoid Dangerous Environment — Don’t expose to rain or use machine in damp or wet locations. Water entering the machine will increase the risk of electric shock.
- Never allow children to operate the equipment. Never allow adults to operate the equipment without proper instruction.
- Always wear safety glasses with side shields that comply with ANSI Z87.1- Everyday glasses have only impact resistant lenses. They are NOT safety glasses. Following this rule will reduce the risk of eye injury. Use a face mask if operation is dusty.
- Dress Properly – Do not wear loose clothing or jewelry. They can be caught in moving parts. Use of rubber gloves and substantial footwear is recommended when working outdoors. Wear protective hair covering to contain long hair.
- Do not force the machine — Use the correct tool for your application. The correct tool will do the job better and safer at the rate for which it is designed.
- Do not operate the equipment while barefoot or when wearing sandals or similar lightweight footwear. Wear protective footwear that will protect your feet and improve your footing on slippery surfaces.
- Do not operate the machine while under the influence of alcohol or drugs.
- Do not overreach — Keep firm footing and balance at all times. Overreaching can result in loss of balance.
- Prevent unintentional starting. Ensure the switch is in the off-position before connecting to battery pack, picking up or carrying the appliance. Carrying the appliance with your finger on the switch or energizing appliance that have the switch on invites accidents.
- Avoid Unintentional Starting – Don’t carry cordless machine with finger on switch. Be sure the switch is off when inserting the battery.
- Never pick up or carry the machine while the tines are turning or the motor is running.
- Keep the machine in good working condition. Check all nuts, bolts, and screws at frequent intervals for proper tightness to be sure the equipment is in safe working condition.
- Keep the machine free of grass, leaves or grease to reduce the chance of a fire hazard.
- Do not use the machine if switch does not turn it on or off. Any tool that cannot be controlled with the switch is dangerous and must be repaired.
- Disconnect the battery pack from the appliance before making any adjustments, changing accessories, or storing

appliance. Such preventive safety measures reduce the risk of starting the appliance accidentally.

- Before cleaning, repairing, or inspecting, remove the battery and make certain all moving parts have stopped.
- Never spray water directly into the motor compartment of the machine.
- Use only identical replacement parts when servicing the machine. Use of unauthorized parts may create a risk of serious injury to the user, or damage to the product.

2.2 SPECIFIC SAFETY RULES

- Cleaning, user-maintenance (such as lubrication adjustment, and the like), operations recommended by the manufacturer, and a warning to the user that any other servicing should be performed by an authorized service representative.
- Do not use near underground electric cables, telephone, lines, pipes, or hoses. If in doubt, contact your utility or telephone company to locate underground services.
- If the machine strikes a foreign object, stop the motor, remove the battery pack, thoroughly inspect the machine for any damage, and repair the damage before restarting and operating the machine.
- Maintain Appliance With Care – Keep cutting edge sharp and clean for best performance and to reduce the risk of injury.
- Do not overload the machine capacity by cultivating too deep in a single pass or at too fast a rate.
- Stay alert. Watch what you are doing. Use common sense. Do not operate the machine when you are tired, ill, or upset.
- Don't use in rain.
- Be aware that the equipment may unexpectedly bounce upward or jump forward if the tines should strike buried obstacles such as large stones, roots, or stumps.
- Wear hearing protection.
- Ensure that people and pets are at least 50' (15 m) away from the machine while in use.
- Ensure that work area is free of slippery spots or excessive quantities of stone.
- Start the machine carefully according to instructions from a normal operating position and with feet well away from the tines. It will do the job better and with less likelihood of a risk of injury at the rate for which it was designed.
- Keep hands away from blades.
- Remove the battery pack from the machine before unclugging the tines and when making any repairs, adjustments, or inspections.
- Never operate the equipment on a slope.
- Use extreme caution when pulling the machine towards you.
- When not in use, the machine should be stored indoors in dry, and high or locked-up place – out of reach of children.
- When battery pack is not in use, keep it away from other metal objects, like paper clips, coins, keys, nails, screws

or other small metal objects, that can make a connection from one terminal to another. Shorting the battery terminals together may cause burns or a fire.








- Keep Children Away — All visitors and bystanders should be kept at a distance of at least 50 feet from work area.
- Do not use a battery pack or appliance that is damaged or modified. Damaged or modified batteries may exhibit unpredictable behavior resulting in fire, explosion or risk of injury.
- Don't grasp the exposed cutting blades or cutting edges when picking up or holding the machine.
- Do not expose a battery pack or appliance to fire or excessive temperature. Exposure to fire or temperature above 130°C may cause explosion. The temperature of 130°C can be replaced by the temperature of 265°F.
- Follow all charging instructions and do not charge the battery pack or appliance outside of the temperature range specific in the instructions. Charging improperly or at temperatures outside of the specific range may damage the battery and increase the risk of fire.
- Have servicing performed by a qualified repair person using only identical replacement parts. This will ensure that the safety of the product is maintained.
- Do not modify or attempt to repair the appliance or the battery pack (as applicable) except as indicated in the instructions for use and care.
- Check damaged parts. Before further use of this cultivator, a guard or other part that is damaged should be carefully checked to determine that it will operate properly and perform its intended function. Check for alignment of moving parts, binding of moving parts, breakage of parts, mounting, and any other condition that may affect its operation. A guard or other part that is damaged should be properly repaired or replaced by an authorized service center unless otherwise indicated elsewhere in this manual.
- Save these instructions. Refer to them frequently and use them to instruct others who may use this cultivator. If you loan someone this unit, loan them these instructions also.
- For use only with Greenworks BAB726 or other BAB series batteries.
- For use only with Greenworks 2901402 or other CAB series charger.
- Do not dispose of batteries in fire, the cells may explode, check with local codes for possible special disposal instructions.
- Do not open, damage or otherwise tamper with the battery. Released electrolyte is corrosive and may cause damage to the eyes or skin, it may be toxic if swallowed.
- Exercise care in handling batteries in order not to short the battery with conducting materials such as rings, bracelets and keys. The battery or conductor may overheat and cause burns.


The recommended ambient temperature range:

Item	Temperature
Cultivator storage temperature range	14°F (-10°C) - 104°F (40°C)
Cultivator operation temperature range	32°F (0°C) - 104°F (40°C)
Battery charging temperature range	39°F (4°C) - 104°F (40°C)
Charger operation temperature range	39°F (4°C) - 104°F (40°C)
Battery storage temperature range	1 year: 32°F (0°C) - 73°F (23°C)
	3 months: 32°F (0°C) - 113°F (45°C)
	1 months: 32°F (0°C) - 140°F (60°C)
Battery discharging temperature range	6.8°F (-14°C) - 113°F (45°C)

2.3 SYMBOLS ON THE PRODUCT




Some of the following symbols may be used on this product. Please study them and learn their meaning. Proper interpretation of these symbols will allow you to operate the product better and safer.

Symbol	Explanation
V	Voltage
A	Current
Hz	Frequency (cycles per second)
	Do not expose the product to rain or moist conditions.
	Type or a characteristic of current
	Keep feet and hands away from rotating tines.
	Thrown objects can ricochet and result in personal injury or property damage. Wear protective clothing and boots.
	Precautions that involve your safety.
	Read and understand all instructions before operating the product, and follow all warnings and safety instructions.
	Wear eye and ear protection.

Symbol	Explanation
	Keep all bystanders at least 15m away.

2.4 RISK LEVELS

The following signal words and meanings are intended to explain the levels of risk associated with this product.

SYMBOL	SIGNAL	MEANING
	DANGER	Indicates an imminently hazardous situation, which, if not avoided, will result in death or serious injury.
	WARNING	Indicates a potentially hazardous situation, which, if not avoided, could result in death or serious injury.
	CAUTION	Indicates a potentially hazardous situation, which, if not avoided, may result in minor or moderate injury.
	CAUTION	(Without Safety Alert Symbol) Indicates a situation that may result in property damage.

2.5 ENVIRONMENTALLY SAFE BATTERY DISPOSAL



The toxic and corrosive materials below are in the batteries used in this machine: **Lithium-Ion, a toxic material.**

▲ WARNING

Discard all toxic materials in a specified manner to prevent contamination of the environment. Before discarding damaged or worn out Li-ion battery, contact your local waste disposal agency, or the local Environmental Protection Agency for information and specific instructions. Take the batteries to a local recycling and/or disposal center, certified for lithium-ion disposal.

▲ WARNING

If the battery pack cracks or breaks, with or without leaks, do not recharge it and do not use. Discard it and replace with a new battery pack. **DO NOT TRY TO REPAIR IT!** To prevent injury and risk of fire, explosion, or electric shock, and to avoid damage to the environment:

- Cover the terminals of the battery with heavy-duty adhesive tape.
- **DO NOT** try to remove or destroy any of the battery pack components.
- **DO NOT** try to open the battery pack.
- If a leak develops, the released electrolytes are corrosive and toxic. **DO NOT** get the solution in the eyes or on skin, and do not swallow it.
- **DO NOT** put these batteries in your regular household trash.
- **DO NOT** incinerate.
- **DO NOT** put them where they will become part of any waste landfill or municipal solid waste stream.
- Take them to a certified recycling or disposal center.

2.6 PROPOSITION 65**▲ WARNING**

This product contains a chemical known to the state of California to cause cancer, birth defects or other reproductive harm. Some dust created by power sanding, sawing, grinding, drilling, and other construction activities contains chemicals known to cause cancer, birth defects or other reproductive harm. Some examples of these chemicals are:

- Lead from lead-based paints;
- Crystalline silica from bricks and cement and other masonry products;
- Arsenic and chromium from chemically treated lumber.

Your risk of exposure to these chemicals varies depending on how often you do this type of work. To reduce your exposure to these chemicals, work in a well-ventilated area, and work with approved safety equipment, such as dust masks that are specially designed to filter out microscopic particles.

2.7 SAVE THESE INSTRUCTIONS**3 INSTALLATION**

- Replace the battery pack or the charger immediately if the battery pack or charger cord is damaged.
- Ensure that the unit is switched off before installing or removing the battery pack.

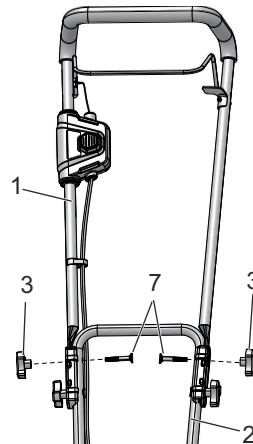
3.1 UNPACK THE MACHINE**▲ WARNING**

Make sure that you correctly assemble the machine before use.

▲ WARNING

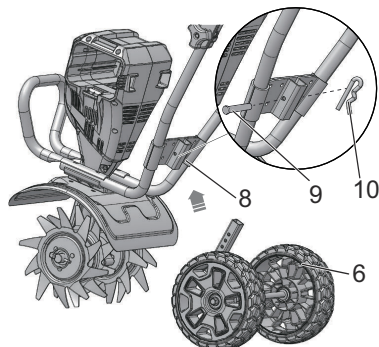
- If the parts are damaged, do not use the machine.
- If you do not have all the parts, do not operate the machine.
- If the parts are damaged or missing, speak to the service center.

1. Open the package.
2. Read the documentation in the box.
3. Remove all the unassembled parts from the box.
4. Remove the machine from the box.
5. Discard the box and package in compliance with local regulations.

3.1.1 INSTALL THE HANDLE

1. Align the holes on the upper handle (1) with holes on the lower handle (2).
2. Insert the bolts (7) through the handles.
3. Use the wing nuts (3) to tighten them.

3.1.2 INSTALL THE WHEEL



1. Insert the wheel assembly (6) into the support rod (8).
2. Align the wheel assembly hole to desired position.
3. Slide bolt (9) through hole and attach the small hitch pin(10) to bolt.

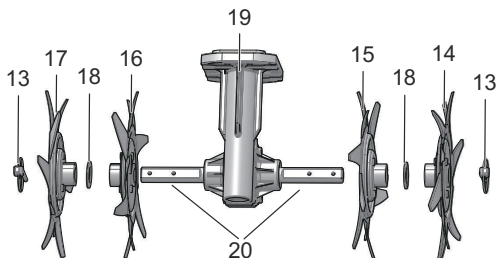
i NOTE

The wheel position of the machine is adjustable. You can control the depth of operation through adjusting the wheel position.

i NOTE

Wheels can be removed for greater tilling depth.

3.1.3 INSTALL THE TINES



The cultivator has four tines —two inner tines stamped B and C and two outer tines stamped A and D. For correct operation of the unit, the tines must be installed in the correct orientation.

1. Put the machine on a flat and smooth surface.
2. Place tine C (16) on the tine shaft (20) to the left of the gear box. The stamped side of the tine should face away from the gear box (19).
3. Place tine B (15) on the tine shaft to the right of the gear box. The stamped side of the tine should face away from the gear box.

4. Place a felt washer (18) on each side of the tine shaft, and slide to rest against the inner tines.
5. Place the outer tine D (17) on the left side of the tine shaft. The stamped side should face in toward tine C (16).
6. Place the outer tine A (14) on the right side of the tine shaft. The stamped side should face in toward tine B (15).
7. To secure the tines to the tine shaft, insert the ring pins (13) into the holes located on either side of the tine shaft.

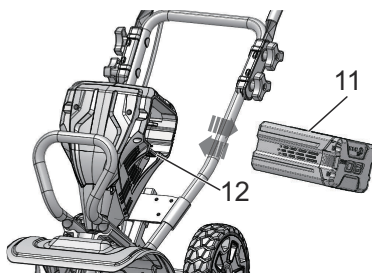
i NOTE

The unit will not operate properly if the tines are installed incorrectly. If you notice a problem with the cultivating operation of the unit, check for proper tine positioning.

▲ WARNING

The tines and the machine may damage even if you move the machine with the motor switched off. To prevent the tines from touching the ground while moving please tilt the machine.

3.1.4 INSTALL THE BATTERY PACK



▲ WARNING

- If the battery pack or charger is damaged, replace the battery pack or the charger.
- Stop the machine and wait until the engine stops before you install or remove the battery pack.
- Read, know, and follow the instructions in the battery and charger manual.

1. Align the lift ribs on the battery pack (11) with the grooves in the battery compartment.
2. Push the battery pack into the battery compartment until the battery pack locks into place.
3. When you hear a click, the battery pack is installed.

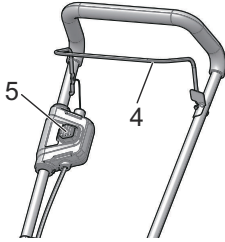
3.1.5 REMOVE THE BATTERY PACK

1. Push and hold the battery release button (12).
2. Remove the battery pack from the machine.

4 APPLICATIONS

- Breaking up garden soil to prepare seed bed for planting.
- Shallow cultivating to remove weeds.

4.1 START THE MACHINE



1. Press the safety lock button (5).
2. Pull the bail switch (4) toward the handle while you hold the safety lock button.
3. Release the safety lock button.

▲ WARNING

Hold the machine with two hands during operation.

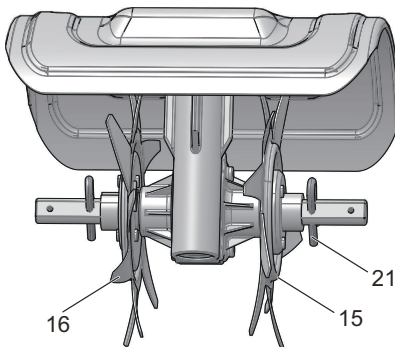
i NOTE

Stand behind the machine with the tines on the ground and the work area clean and free of obstructions.

4.2 STOP THE MACHINE

1. Release the bail switch to stop the machine.

4.3 NARROW CULTIVATING WIDTH



The two outer tine blades can be removed from the unit to allow a more narrow cultivating width.

1. Remove the ring pins from the holes on the ends of the tine shaft.
2. Remove the outside tines and felts from the tine shaft.
3. Place the large hitch pins (21) in the holes.

4.4 OPERATION TIPS

The cultivator can be used to break up garden soil and prepare a seedbed for planting. Plan ahead to leave enough room between the seed rows to allow for machine cultivating after the plants have grown.

1. Several passes over the same path may be required to reach the desired depth. Do not try to dig too deeply in the first pass.
2. If the machine jumps or bucks, allow the unit to move forward at a slightly faster rate or install wheel assembly.
3. If the cultivator stays and digs in at one spot, try rocking it from side to side in order to start it moving forward again.
4. If the soil is very hard, water a few days before cultivating. Avoid working the soil when soggy or wet. Wait a day or two after heavy rain for the ground to dry.
5. Shallow cultivating less than 5cm. deep can be used to disrupt weeds and aerate soil, without injuring nearby plant roots. It should be done often so that weeds do not grow large and cause tangling in the tines of the unit.

5 MAINTENANCE

▲ CAUTION

Do not let brake fluids, gasoline, petroleum-based materials touch the plastic parts. Chemicals can cause damage to the plastic, and make the plastic unserviceable.

▲ CAUTION

Do not use strong solvents or detergents on the plastic housing or components.

▲ WARNING

Remove the battery pack from the machine before maintenance.

5.1 CLEAN THE MACHINE

▲ WARNING

Keep the machine and the motor free of leaves, branches or excessive oil to prevent fire risks.

- Use a moist cloth with a mild detergent to clean the machine.
- Clean all moisture with a soft dry cloth.
- Use a small brush to clean the air vents.

6 STORE THE MACHINE

- Clean the machine before storage.
- Make sure that the motor is not hot when you store the machine.

- Make sure that the machine does not have loose or damaged parts. If it is necessary, do these steps/ instructions:
 - Replace the damaged parts.
 - Tighten the bolts.
 - Speak to a person of an approved service center.
- Store the machine in a dry area.
- Make sure that children cannot come near the machine.

7 TROUBLESHOOTING

Problem	Possible cause	Solution
The motor shuts down whilst working.	The battery pack is not installed tightly.	Make sure that you tightly installed the battery pack in the machine.
	The battery pack is out of power.	Charge the battery pack.
	The machine has damage.	Do not use the machine and speak to service center.
The machine smokes during operation.	The machine has damage.	<ol style="list-style-type: none"> 1. Immediately stop the machine. 2. Remove the battery. 3. Speak to service center.
Motor runs but tines do not move.	The machine has damage.	Do not use the machine and speak to service center.
	The tines are blocked.	Remove battery then clear blockage from the tines.
	Gear train failure.	Speak to service center.

8 TECHNICAL DATA

Voltage	80V
No load speed	170 (±5%) RPM
Cultivating path	10" (25 cm)
Weight (without battery pack)	29.3 lbs. (13.3 kg)
Cultivating depth	5" (13 cm)

9 LIMITED WARRANTY



Greenworks hereby warrants this product, to the original purchaser with proof of purchase, for a period of four (4) years against defects in materials, parts or workmanship. Greenworks, at its own discretion will repair or replace any and all parts found to be defective, through normal use, free of charge to the customer. This warranty is valid only for units which have been used for personal use that have not been hired or rented for industrial/commercial use, and that have been maintained in accordance with the instructions in the owners' manual supplied with the product from new.

ITEMS NOT COVERED BY WARRANTY:

1. Any part that has become inoperative due to misuse, commercial use, abuse, neglect, accident, improper maintenance, or alteration; or
2. The unit, if it has not been operated and/or maintained in accordance with the owner's manual; or
3. Normal wear, except as noted below;
4. Routine maintenance items such as lubricants, blade sharpening;
5. Normal deterioration of the exterior finish due to use or exposure.

HELPLINE:

Warranty service is available by calling our toll-free helpline, at 1-855-345-3934.

TRANSPORTATION CHARGES:

Transportation charges for the movement of any power equipment unit or attachment are the responsibility of the purchaser. It is the purchaser's responsibility to pay transportation charges for any part submitted for replacement under this warranty unless such return is requested in writing by Greenworks.

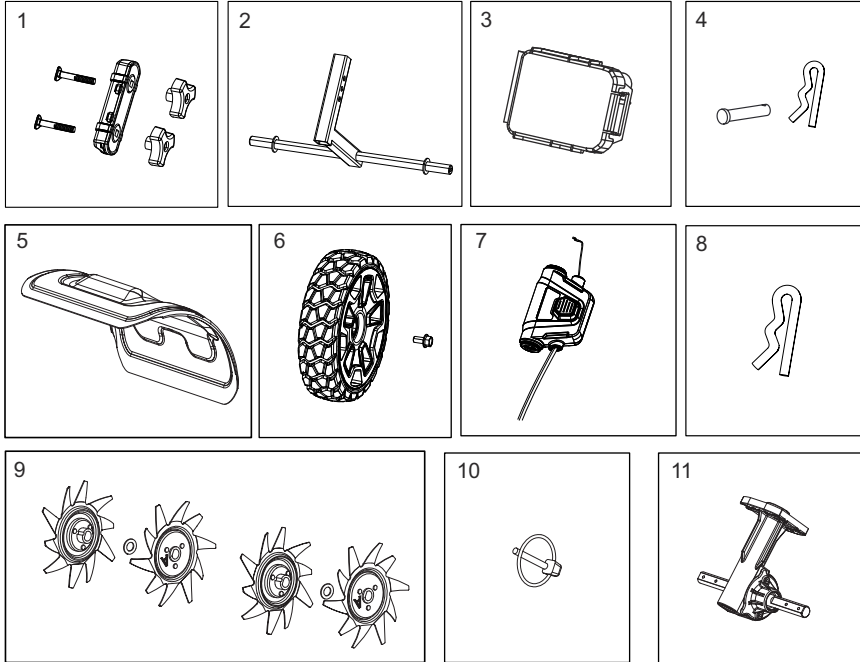
USA address:

Greenworks Tools
P.O. Box 1238
Mooresville, NC 28115

Canadian address:

Greenworks Tools Canada Inc.
1110 Stellar Drive Unit 102
Newmarket, ON, L3Y 7B7

10 EXPLODED VIEW



No	Part No.	Qty	Description	No	Part No.	Qty	Description
1	R0201200-00	1	Handle Knob Assembly	7	R0201206-00	1	Motor Engagement Box
2	R0201201-00	1	Wheel Shelf Assembly	8	R0201207-00	1	Large Hitch Pin
3	R0201202-00	1	PCBA	9	R0201208-00	1	Tine Assembly
4	R0201203-00	1	Small Hitch Pin	10	R0201209-00	1	Ring Pin
5	R0201204-00	1	Shield	11	R0201210-00	1	Gear Box
6	R0201205-00	1	Wheel				

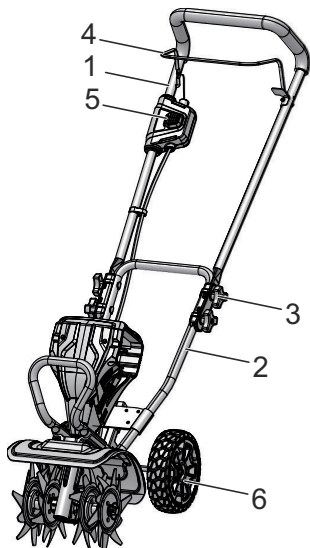
1	Description.....	13			
1.1	Utilisation conforme.....	13	3.1	Déballez la machine.....	17
1.2	Aperçu.....	13	4	Applications.....	18
2	Avertissements généraux de		4.1	Démarrez la machine.....	18
	sécurité des outils électriques.....	13	4.2	Arrêtez la machine.....	18
2.1	Instructions importantes sur la sécurité.....	13	4.3	Réduisez la largeur de la surface à cultiver.....	19
2.2	Règles spécifiques de sécurité.....	14	4.4	Conseils sur l'utilisation.....	19
2.3	Symboles figurant sur la machine.....	15	5	Entretien.....	19
2.4	Niveaux de risques.....	15	5.1	Nettoyez la machine.....	19
2.5	Élimination des batteries sans danger pour		6	Entreposez la machine.....	19
	l'environnement.....	16	7	Dépannage.....	20
2.6	Proposition 65.....	16	8	Données techniques.....	20
2.7	Conservez ces instructions.....	17	9	Garantie limitée.....	20
3	Installation.....	17	10	Vue éclatées.....	21

1 DESCRIPTION

1.1 UTILISATION CONFORME

Le cultivateur doté d'une batterie est conçu pour ameublir le sol dans un jardin ouvert. Cet appareil ne convient pas à l'utilisation commerciale. Ne l'utilisez pas pour réaliser une tâche commerciale.

1.2 APERÇU



- | | | | |
|---|-----------------------------|---|------------------------------------|
| 1 | Partie supérieure du guidon | 4 | Barre de sécurité |
| 2 | Poignée inférieure | 5 | Bouton de verrouillage de sécurité |
| 3 | Écrou à oreilles | 6 | Ensemble de roues |

2 AVERTISSEMENTS GÉNÉRAUX DE SÉCURITÉ DES OUTILS ÉLECTRIQUES

▲ AVERTISSEMENT

Lisez tous les avertissements de sécurité et toutes les instructions. Le non-respect de ces avertissements et de ces instructions peut entraîner un choc électrique, un incendie et/ou des blessures graves.

Conservez tous les avertissements et instructions pour référence ultérieure.

Le terme « outil électrique » dans les avertissements fait référence à votre outil électrique (sans fil) fonctionnant sur batterie.

2.1 INSTRUCTIONS IMPORTANTES SUR LA SÉCURITÉ

- Utilisez le bon appareil : n'utilisez pas l'appareil pour d'autres tâches que celles auxquelles il est destiné.
- Lisez attentivement le manuel d'opérateur. Familiarisez-vous avec les commandes et l'utilisation correcte de l'équipement. Apprenez comment arrêter l'appareil et désengager rapidement les commandes.
- N'utilisez pas la machine dans des environnements explosifs, par exemple en présence de liquides, gaz ou poussières inflammables. La mise en marche de la machine crée des étincelles qui peuvent enflammer la poussière ou les vapeurs.
- Évitez que le corps n'entre en contact avec des surfaces mises à la terre comme les tuyaux, les radiateurs, les cuisinières et les réfrigérateurs. Il y a un risque accru de choc électrique si votre corps est en contact avec la terre.
- Évitez les environnements dangereux - N'exposez pas la machine à la pluie ou dans les endroits humides ou mouillés. L'eau qui pénètre dans la machine augmente le risque de choc électrique.
- Ne laissez jamais les enfants utiliser l'appareil. Ne permettez jamais à un adulte d'opérer la machine sans qu'il ait la formation nécessaire.
- Portez toujours des lunettes de sécurité avec écrans latéraux conformes à la norme ANSI Z87.1. Les lunettes de tous les jours n'ont que des verres résistants aux chocs. Ce ne sont PAS des lunettes de sécurité. Le respect de cette règle réduira le risque de blessures aux yeux. Utilisez un masque facial si l'opération est poussiéreuse.
- Habillez-vous correctement – Ne portez pas de vêtements amples ou de bijoux. Ils pourraient se coincer dans les pièces en mouvement. Le port de gants en caoutchouc et de chaussures adaptées est recommandé pour travailler à l'extérieur. Portez un couvre-chef protecteur pour contenir les cheveux longs.
- Ne forcez pas la machine — Utilisez l'outil adapté à votre application. L'outil approprié fera mieux le travail et sera plus sécuritaire au rythme pour lequel il a été conçu.
- N'utilisez pas l'équipement pieds nus ou en portant des sandales ou des chaussures légères similaires. Portez des chaussures de protection qui protégeront vos pieds et amélioreront votre posture sur les surfaces glissantes.
- N'utilisez pas la machine si vous êtes sous l'influence d'alcool ou de drogues.
- Ne vous penchez pas trop — Gardez un bon équilibre en tout temps. Si vous vous penchez trop en avant, vous pouvez perdre l'équilibre.
- Évitez tout démarrage accidentel. Assurez-vous que l'interrupteur est en position d'arrêt avant de brancher la batterie, de soulever ou de transporter l'appareil. Le fait de porter l'appareil avec un doigt sur l'interrupteur ou d'alimenter l'appareil dont l'interrupteur est en marche risque de provoquer des accidents.
- Évitez tout démarrage accidentel – Ne transportez pas l'appareil branché avec un doigt sur l'interrupteur.

Assurez-vous que l'interrupteur est éteint lorsque vous installez la batterie.

- Ne ramassez et ne transportez jamais la machine lorsque les dents tournent ou que le moteur tourne.
- Maintenez la machine en bon état de fonctionnement. Vérifiez tous les écrous, boulons et vis à intervalles fréquents pour vous assurer que l'équipement est bien serré et en bon état de fonctionnement.
- Gardez le moteur exempt d'herbe, de feuilles ou de graisse afin de réduire les risques d'incendie.
- N'utilisez pas la machine si l'interrupteur ne le met pas en marche ou à l'arrêt. Tout outil qui ne peut pas être contrôlé avec l'interrupteur est dangereux et doit être réparé.
- Retirez la batterie de l'outil électrique avant d'effectuer des réglages, de changer des accessoires ou de ranger la machine. De telles mesures de sécurité préventives réduisent le risque d'un démarrage accidentel de la machine.
- Avant de nettoyer, de réparer ou d'inspecter, retirez la batterie et assurez-vous que toutes les pièces mobiles se sont arrêtées.
- Ne pulvérisez jamais de l'eau directement dans le compartiment moteur de la machine.
- N'utilisez que des pièces de rechange identiques lors de l'entretien. L'utilisation de pièces non autorisées peut créer un risque de blessures graves pour l'utilisateur ou d'endommagement de l'appareil.

2.2 RÈGLES SPÉCIFIQUES DE SÉCURITÉ

- Concernant le nettoyage, l'entretien par l'utilisateur (comme le réglage de la lubrification, etc.) et l'utilisation recommandée par le fabricant. Avertissement à l'intention de l'utilisateur : tout autre entretien doit être effectué par un technicien agréé.
- Ne pas utiliser à proximité de câbles électriques souterrains, de téléphones, de lignes électriques, de conduites ou de tuyaux. En cas de doute, communiquez avec votre entreprise de services publics ou votre compagnie de téléphone pour localiser les installations souterraines.
- Si la machine touche un corps étranger, arrêtez le moteur, retirez la batterie, inspectez soigneusement la machine pour détecter tout dégât et réparez les dégâts avant de la remettre en marche et de l'utiliser.
- Entretenez l'appareil avec soin - Gardez les bords tranchants et propres pour une meilleure performance et pour réduire les risques de blessures.
- Ne surchargez pas la capacité de la machine en cultivant trop profondément en une seule passe ou à une vitesse trop rapide.
- Soyez vigilant. Faites attention à ce que vous faites. Faites appel à votre bon sens. N'utilisez pas la machine si vous êtes fatigué, malade ou en colère.
- N'utilisez pas sous la pluie.

- Sachez que l'équipement peut rebondir vers le haut ou sauter vers l'avant de façon inattendue si les dents heurtent des obstacles enfouis tels que de grosses pierres, des racines ou des souches.
- Portez des protections auditives.
- Assurez-vous que les humains et les animaux domestiques sont à au moins 15 m (50 pi) de la machine pendant l'utilisation.
- Veillez à ce que la zone de travail soit exempte d'endroits glissants ou de quantités excessives de pierres.
- Démarrez la machine prudemment en suivant les instructions à partir d'une position de travail normale et en gardant les pieds bien éloignés des dents. Il fera mieux le travail et avec moins de risque de blessure à la vitesse pour laquelle il a été conçu.
- Éloignez vos mains des lames.
- Retirez la batterie de la machine avant de débloquer les dents et lors de toute réparation, réglage ou inspection.
- N'utilisez jamais l'appareil sur une pente.
- Soyez extrêmement prudent lorsque vous tirez la machine vers vous.
- Lorsqu'elle n'est pas utilisée, la machine doit être entreposée à l'intérieur, dans un endroit sec, surélevé ou verrouillé, hors de portée des enfants.
- Lorsque le bloc-batterie n'est pas utilisé, éloignez-le des autres objets métalliques tels qu'attaches trombones, pièces de monnaie, clés, clous, vis ou autres petits objets métalliques qui peuvent établir une connexion d'une borne à une autre. Le court-circuitage des bornes de la batterie peut provoquer des brûlures ou un incendie.
- Gardez les enfants à l'écart — Tous les visiteurs doivent être tenus à une distance d'au moins 15 m de la zone de travail.
- N'utilisez pas un bloc-batterie ou un appareil endommagé ou modifié. Les batteries endommagées ou modifiées peuvent présenter un fonctionnement imprévisible et provoquer un incendie, une explosion ou un risque de blessure.
- Ne saisissez pas les lames ou les arêtes de coupe exposées lorsque vous soulevez ou tenez la machine.
- N'exposez pas un bloc-batterie ou un appareil à un feu ou à une température excessive. L'exposition au feu ou une température supérieure à 130°C peut provoquer une explosion. La température de 130°C peut être remplacée par la température de 265°F.
- Suivez toutes les instructions de recharge et ne rechargez pas le bloc-batterie ou l'appareil en dehors de la plage de température spécifiée dans ces instructions. Une recharge incorrecte ou à des températures en dehors de la plage spécifiée peut endommager la batterie et augmenter le risque d'incendie.
- Faites effectuer l'entretien par un réparateur qualifié en n'utilisant que des pièces de rechange identiques. Cela garantira le maintien de la sécurité du produit.
- Ne modifiez pas ou n'essayez pas de réparer l'appareil ou le bloc-batterie (selon le cas) sauf en conformité avec les

instructions d'utilisation et d'entretien indiquées dans ce manuel.









- Vérifier les pièces endommagées. Avant de continuer à utiliser le cultivateur, il convient de vérifier soigneusement une garde protectrice ou toute autre pièce endommagée pour s'assurer qu'il fonctionnera correctement comme prévu. Vérifiez l'alignement des pièces mobiles, la fixation des pièces mobiles, la cassure des pièces, les fixations endommagées et toute autre condition qui pourrait affecter leur fonctionnement. Une garde protectrice ou toute autre pièce endommagée doit être correctement réparée ou remplacée par un centre de service agréé, sauf en cas d'indication contraire dans ce manuel.
- Conservez ces instructions. Consultez-les fréquemment et utilisez-les pour former d'autres utilisateurs qui pourraient utiliser ce cultivateur. Si vous prêtez cet appareil à quelqu'un, prêtez-lui aussi ces instructions.
- Pour une utilisation avec des batteries Greenworks BAB726 ou autres séries BAB seulement.
- Pour une utilisation avec un chargeur Greenworks 2901402 ou autres séries CAB seulement.
- Ne jetez pas les batteries au feu, car elles risquent d'exploser. Consultez les codes locaux pour d'éventuelles instructions spéciales d'élimination.
- N'ouvrez pas la batterie, ne l'endommagez pas et ne la manipulez pas. Les électrolytes rejetés sont corrosifs et peuvent causer des dommages aux yeux ou à la peau. Ils peuvent également être toxiques si avalés.
- Manipulez les batteries avec précaution afin de ne pas la court-circuiter avec des matériaux conducteurs tels que les bagues, les bracelets et les clés. La batterie ou le conducteur peut surchauffer et provoquer des brûlures.

La plage de température ambiante recommandée :

Article	Température
Plage de température d'entreposage du cultivateur	14°F (-10°C) - 104°F (40°C)
Plage de température d'utilisation du cultivateur	32°F (0°C) - 104°F (40°C)
Plage de température de rechargement de la batterie	39°F (4°C) - 104°F (40°C)
Plage de température de fonctionnement du chargeur	39°F (4°C) - 104°F (40°C)
Plage de température d'entreposage de la batterie	1 an : 32°F (0°C) - 73°F (23°C)
	3 mois : 32°F (0°C) - 113°F (45°C)
	1 mois : 32°F (0°C) - 140°F (60°C)
Plage de température de déchargement de la batterie	6,8°F (-14°C) - 113°F (45°C)


2.3 SYMBOLES FIGURANT SUR LA MACHINE



Certains des symboles suivants peuvent être utilisés sur ce produit. Veuillez les étudier et apprendre leur signification. Une bonne interprétation de ces symboles vous permettra de mieux utiliser le produit et de manière plus sécuritaire.

Symbole	Explication
V	Voltage
A	Courant
Hz	Fréquence (cycles par seconde)
	Ne pas exposer la machine à la pluie ou à l'humidité.
	Type ou caractéristique du courant
	Éloignez les pieds et les mains des dents en rotation.
	Les objets projetés peuvent ricocher et causer des blessures corporelles ou des dommages matériels. Portez des vêtements et des bottes de protection.
	Précautions destinées à assurer la sécurité.
	Lisez et comprenez toutes les instructions avant d'utiliser cette machine, et suivez tous les avertissements et les consignes de sécurité.
	Portez des lunettes enveloppantes et un casque anti-bruit.
	Tenez-vous à une distance d'au moins 15 m.

2.4 NIVEAUX DE RISQUES

Les termes de mise en garde suivants et leur signification ont pour but d'expliquer les niveaux de risques associés à l'utilisation de ce produit.

SYMBOLE	SIGNAL	SIGNIFICATION
	DANGER	Indique une situation dangereuse imminente qui, si elle n'est pas évitée, peut entraîner la mort ou des blessures graves.

SYM-BOLE	SIGNAL	SIGNIFICATION
	AVERTISSEMENT	Indique une situation potentiellement dangereuse qui, si elle n'est pas évitée, peut entraîner la mort ou des blessures graves.
	MISE EN GARDE	Indique une situation potentiellement dangereuse qui, si elle n'est pas évitée, pourrait causer des blessures mineures ou modérées.
	MISE EN GARDE	(Sans symbole d'alerte de sécurité) Indique une situation pouvant entraîner des dommages matériels.

2.5 ÉLIMINATION DES BATTERIES SANS DANGER POUR L'ENVIRONNEMENT



Les matières toxiques et corrosives ci-dessous se trouvent dans les batteries utilisées dans cette machine : **Lithium-ion, une substance toxique.**

▲ AVERTISSEMENT

Éliminez toutes les substances toxiques d'une manière spécifiée afin de prévenir la contamination de l'environnement. Avant de jeter une batterie Li-ion endommagée ou usée, contactez votre agence locale d'élimination des déchets ou l'agence locale de protection de l'environnement pour obtenir des informations et des instructions spécifiques. Apportez les batteries à un centre local de recyclage ou d'élimination certifié pour l'élimination de batteries au lithium-ion.

▲ AVERTISSEMENT

Si la batterie se fend ou se brise, avec ou sans fuites, ne la rechargez pas et ne l'utilisez pas. Jetez-la et remplacez-la par une nouvelle batterie. **N'ESSAYEZ PAS DE LA RÉPARER !** Pour prévenir les blessures et les risques d'incendie, d'explosion ou de choc électrique, et pour éviter tout dommage à l'environnement :

- Couvrez les bornes de la batterie avec du ruban adhésif résistant.
- **NE PAS** essayer d'enlever ou de détruire les composants de la batterie.
- **NE PAS** essayer d'ouvrir ou de réparer la batterie.
- En cas de fuite, les électrolytes rejetés sont corrosifs et toxiques. **NE PAS** laisser entrer la solution dans les yeux ou en contact avec la peau et ne pas l'avaler.
- **NE PAS** jeter vos batteries usagées dans votre poubelle à ordures ménagères.
- **NE PAS** incinérer.
- **NE LES** Mettez **PAS** dans un endroit où ils feront partie d'un site d'enfouissement de déchets ou d'un flux de déchets solides municipaux.
- Emmenez-les dans un centre de recyclage ou d'élimination certifié.

2.6 PROPOSITION 65

▲ AVERTISSEMENT

Ce produit contient un produit chimique connu dans l'état de Californie comme étant une cause de cancer, de malformations congénitales ou d'autres problèmes de reproduction. Certaines poussières produites par le ponçage mécanique, le sciage, le meulage, le perçage et d'autres activités de construction contiennent des produits chimiques connus pour causer le cancer, des malformations congénitales ou d'autres problèmes de reproduction. Voici quelques exemples de ces produits chimiques :

- Plomb provenant de peintures à base de plomb;
- Silice cristalline provenant de briques, de ciment et d'autres produits de maçonnerie;
- Arsenic et chrome provenant de bois traité chimiquement.

Votre risque d'exposition à ces produits chimiques varie selon la fréquence à laquelle vous faites ce type de travail. Pour réduire votre exposition à ces produits chimiques, travaillez dans un endroit bien ventilé et utilisez un équipement de sécurité approuvé, comme des masques anti-poussière spécialement conçus pour filtrer les particules microscopiques.

2.7 CONSERVEZ CES INSTRUCTIONS

3 INSTALLATION

- Si la batterie ou le chargeur est endommagé, remplacez-le immédiatement, au besoin.
- Assurez-vous que l'appareil est éteint avant d'installer ou de retirer le bloc-batterie.

3.1 DÉBALLEZ LA MACHINE

▲ AVERTISSEMENT

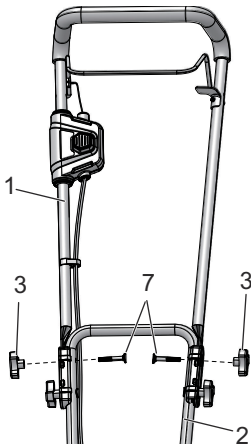
Assurez-vous d'assembler correctement la machine avant de l'utiliser.

▲ AVERTISSEMENT

- Si les pièces sont endommagées, n'utilisez pas la machine.
- Si vous n'avez pas toutes les pièces, n'utilisez pas la machine.
- Si les pièces sont endommagées ou manquantes, communiquez avec le centre de service.

1. Ouvrez l'emballage.
2. Lisez la documentation contenue dans la boîte.
3. Retirez toutes les pièces non assemblées de la boîte.
4. Retirez la machine de sa boîte.
5. Jetez la boîte et l'emballage en respectant les règlements locaux.

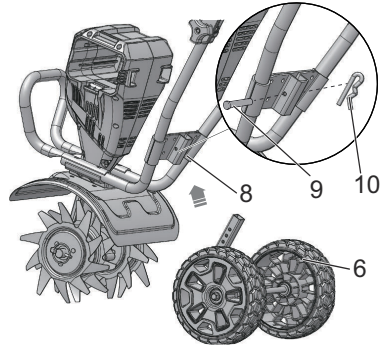
3.1.1 INSTALLEZ LA POIGNÉE



1. Alignez les trous de la poignée supérieure (1) avec ceux de la poignée inférieure (2).

2. Introduisez les boulons (7) dans les trous de la poignée.
3. Utilisez les écrous à oreilles (3) pour serrer.

3.1.2 INSTALLEZ LA ROUE



1. Insérez l'ensemble de la roue (6) dans la tige de support (8).
2. Alignez le trou de l'ensemble de la roue dans la position désirée.
3. Glissez le boulon (9) dans le trou et fixez la petite goupille de sécurité (10) au boulon.

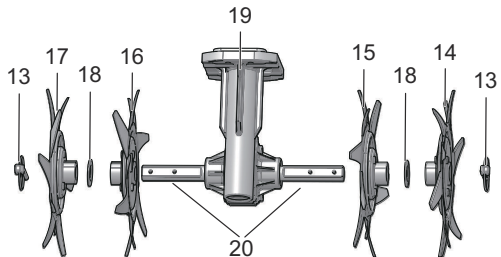
i REMARQUE

La position de la roue de la machine est réglable, vous pouvez contrôler la profondeur de l'opération d'ameublissement en réglant la position de la roue.

i REMARQUE

Les roues peuvent être démontées pour un ameublissement plus en profondeur.

3.1.3 INSTALLEZ LES DENTS



Le cultivateur possède quatre dents - deux dents intérieures estampées B et C et deux dents extérieures estampées A et D. Pour un fonctionnement correct de la machine, les dents doivent être installées dans la bonne orientation.

1. Placez la machine sur une surface plane et régulière.

- Placez la dent C (16) sur l'arbre porte-dents (20) à gauche de la boîte d'engrenage. Le côté estampé de la dent doit être tourné vers l'extérieur de la boîte d'engrenage (19).
- Placez la dent B (15) sur l'arbre porte-dents à droite de la boîte d'engrenage. Le côté estampé de la dent doit être tourné vers l'extérieur de la boîte d'engrenage.
- Placez une rondelle en feutre (18) de chaque côté de l'arbre porte-dents et faites-la glisser pour qu'elle repose contre les dents intérieures.
- Placez la dent extérieure estampillée D (17) sur le côté gauche de l'arbre porte-dents. Le côté estampillé doit être tourné vers l'intérieur, vers la dent C (16).
- Placez la dent extérieure estampillée A (14) sur le côté gauche de l'arbre porte-dents. Le côté estampillé doit être tourné vers l'intérieur, vers la dent B (15).
- Pour fixer les dents à l'arbre porte-dents, insérez les goupilles annulaires (13) dans les trous situés de chaque côté de l'arbre porte-dents.

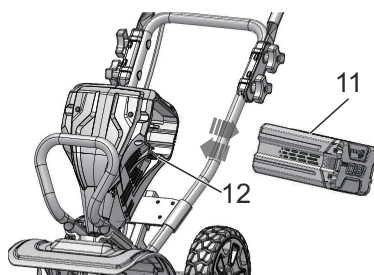
i REMARQUE

La machine ne fonctionnera pas correctement si les dents ne sont pas installées correctement. Si vous remarquez un problème avec l'opération de culture de la machine, vérifiez le positionnement correct des dents.

▲ AVERTISSEMENT

Les dents et la machine peuvent être endommagées même si vous déplacez la machine avec le moteur à l'arrêt. Pour éviter que les dents ne touchent le sol pendant le déplacement, inclinez la machine.

3.1.4 INSTALLEZ LE BLOC-BATTERIE



▲ AVERTISSEMENT

- Si le bloc-batterie ou le chargeur est endommagé, remplacez-le, au besoin.
- Arrêtez la machine et attendez que le moteur s'arrête avant d'installer ou de retirer le bloc-batterie.
- Lisez, comprenez et suivez les instructions du manuel du bloc-batterie et du chargeur.

- Alignez les languettes du bloc-batterie (11) avec les rainures du compartiment de batterie.

- Poussez le bloc-batterie dans le compartiment de batterie jusqu'à ce qu'il soit bien encliqueté.
- Vous devriez entendre un clic lorsque le bloc-batterie sera inséré correctement.

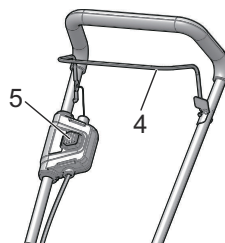
3.1.5 RETIREZ LA BATTERIE

- Poussez et maintenez enfoncé le bouton de déblocage de la batterie(12).
- Retirez la batterie de la machine.

4 APPLICATIONS

- Travailler la terre à jardin pour préparer le lit de semence.
- Cultiver à faible profondeur pour éliminer les mauvaises herbes.

4.1 DÉMARREZ LA MACHINE



- Appuyez sur le bouton de verrouillage de sécurité (5).
- Tirez la barre de sécurité (4) vers la poignée pendant que vous maintenez le bouton de verrouillage de sécurité enfoncé.
- Relâchez le bouton de verrouillage de sécurité.

▲ AVERTISSEMENT

Tenez la machine avec les deux mains pendant le fonctionnement.

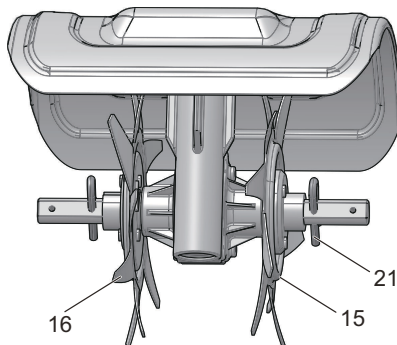
i REMARQUE

Restez derrière la machine avec les dents au sol et la zone de travail propre et libre de tout obstacle.

4.2 ARRÊTEZ LA MACHINE

- Relâchez l'interrupteur d'arrêt d'urgence pour arrêter la machine.

4.3 RÉDUISEZ LA LARGEUR DE LA SURFACE À CULTIVER



Les deux lames de dents extérieures peuvent être retirées de la machine pour réduire la largeur de la surface à cultiver.

1. Retirez les goupilles annulaires des trous situés aux extrémités de l'arbre porte-dents.
2. Retirez les dents extérieures et les feutres de l'arbre porte-dents.
3. Placez les grandes goupilles de sécurité (21) dans les trous.

4.4 CONSEILS SUR L'UTILISATION

Le cultivateur peut être utilisé pour labourer le sol du jardin et préparer un lit de semence pour la plantation. Planifiez à l'avance pour laisser suffisamment d'espace entre les rangées de semences pour permettre la culture mécanique après la croissance des plantes.

1. Plusieurs passages sur le même parcours peuvent être nécessaires pour atteindre la profondeur souhaitée. N'essayez pas de creuser trop profondément au premier passage.
2. Si la machine saute ou saute, laissez l'appareil avancer un peu plus vite ou installez une roue.
3. Si le cultivateur reste et s'enfonce à un endroit, essayez de le balancer d'un côté à l'autre afin de le faire avancer à nouveau.
4. Si le sol est très dur, arrosez quelques jours avant la culture. Évitez de travailler le sol lorsqu'il est détrempé ou mouillé. Attendez un jour ou deux après de fortes pluies pour que le sol sèche.
5. Les cultures peu profondes de moins de 5 cm de profondeur peuvent être utilisées pour déraciner les mauvaises herbes et aérer le sol, sans endommager les racines des plantes voisines. Il faut le faire régulièrement afin d'éviter que les mauvaises herbes ne grossissent et ne se coincent dans les dents de l'appareil.

5 ENTRETIEN

▲ ATTENTION

Évitez que les liquides de freins, l'essence et les matériaux à base de pétrole ne viennent en contact avec les pièces en plastique. Les produits chimiques peuvent endommager le plastique et le rendre inutilisable.

▲ ATTENTION

N'utilisez pas de solvants ou de détergents puissants sur le boîtier ou les composants en plastique.

▲ AVERTISSEMENT

Retirez la batterie de la machine avant l'entretien.

5.1 NETTOYEZ LA MACHINE

▲ AVERTISSEMENT

Veillez à ce que la machine et le moteur soient exempts de feuilles, de branches ou d'huile excessive afin d'éviter tout risque d'incendie.

- Utilisez un chiffon humide et un détergent doux pour nettoyer la machine.
- Nettoyez toute l'humidité avec un chiffon doux et sec.
- Utilisez une petite brosse pour nettoyer les événements d'aération.

6 ENTREPOSEZ LA MACHINE

- Nettoyez la machine avant de le stockage.
- Assurez-vous que le moteur n'est pas chaud lorsque vous entreposez la machine.
- Assurez-vous que la machine n'a pas de pièces mal fixées ou endommagées. Au besoin, suivez ces étapes/instructions :
 - Remplacez les pièces endommagées.
 - Serrez les écrous.
 - Parlez à une personne d'un centre de service certifié.
- Entreposez la machine dans un endroit sec.
- Assurez-vous que les enfants ne peuvent pas s'approcher de la machine.

7 DÉPANNAGE

Problème	Cause possible	Solution
Le moteur s'arrête pendant le travail.	La batterie n'est pas correctement installée.	Assurez-vous que vous avez bien installé le bloc batterie dans la machine.
	Le bloc-batterie est déchargé.	Rechargez le bloc-batterie.
	La machine est endommagée.	N'utilisez pas la machine et communiquez avec le centre de service.
La machine dégage de la fumée pendant le fonctionnement.	La machine est endommagée.	<ol style="list-style-type: none"> 1. Arrêtez la machine immédiatement. 2. Retirez le bloc-batterie. 3. Communiquez avec le centre de service.
Le moteur tourne mais les dents ne bougent pas.	La machine est endommagée.	N'utilisez pas la machine et communiquez avec le centre de service.
	Les dents sont bloquées.	Retirez la batterie puis dégagez les dents de tout blocage.
	Panne du train d'engrenages.	Communiquez avec le centre de service.

8 DONNÉES TECHNIQUES

Voltage	80V
Vitesse à vide	170 (±5%) RPM
Parcours de culture	10" (25 cm)
Poids (sans block-piles)	29.3 lbs. (13.3 kg)
Profondeur de culture	5" (13 cm)

9 GARANTIE LIMITÉE



Greenworks garantit par la présente ce produit, à l'acheteur original avec preuve d'achat, pour une période de quatre (4) ans contre tout défaut de matériaux, de pièces ou de main-d'œuvre. Greenworks, à sa propre discrétion, réparera ou remplacera toutes les pièces défectueuses, dans des conditions normales d'utilisation, sans frais pour le client. Cette garantie n'est valable que pour les appareils qui ont été utilisés à des fins personnelles, qui n'ont pas été loués à des fins industrielles ou commerciales et qui ont été entretenus conformément aux instructions du manuel du propriétaire fourni avec le produit neuf.

ARTICLES NON COUVERTS PAR LA GARANTIE :

1. Toute pièce qui est devenue inopérante en raison d'une mauvaise utilisation, d'une utilisation commerciale, d'un abus, d'une négligence, d'un accident, d'un entretien inapproprié ou d'une modification ; ou
2. L'appareil, s'il n'a pas été utilisé et/ou entretenu conformément au manuel du propriétaire ; ou
3. Usure normale, sauf comme indiqué ci-dessous ;
4. Articles d'entretien courant tels que lubrifiants, affûtage des lames ;
5. Détérioration normale du fini extérieur due à l'utilisation ou à l'exposition.

ASSISTANCE TÉLÉPHONIQUE :

Le service de garantie est disponible en appelant notre ligne d'assistance téléphonique sans frais, au 1-855-345-3934.

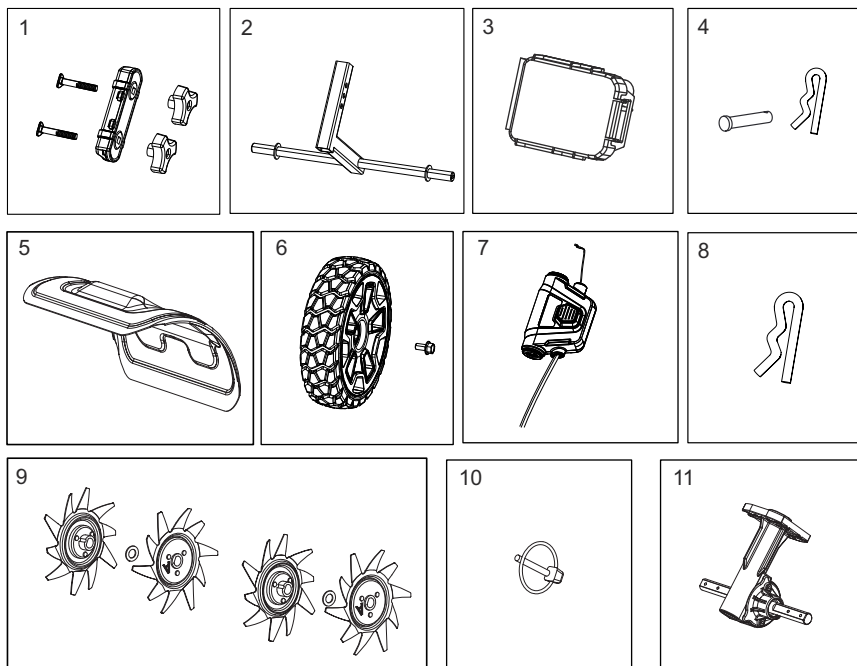
FRAIS DE TRANSPORT :

Les frais de transport pour le déplacement de tout équipement motorisé ou accessoire sont à la charge de l'acheteur. Il incombe à l'acheteur de payer les frais de transport pour toute pièce retournée pour remplacement en vertu de la présente garantie, à moins qu'un tel retour soit demandé par écrit par Greenworks.

Adresse aux Etats-Unis : Adresse au Canada :

Greenworks Tools	Greenworks Tools Canada Inc.
P.O. Box 1238	1110 Stellar Drive Unit 102
Mooresville, NC 28115	Newmarket, ON, L3Y 7B7

10 VUE ÉCLATÉES



No	No de pièce	Qté	Description	No	No de pièce	Qté	Description
1	R0201200-00	1	Ensemble du bouton de la poignée	7	R0201206-00	1	Boîte d'engagement du moteur
2	R0201201-00	1	Ensemble du support des roues	8	R0201207-00	1	Grande goupille de sécurité
3	R0201202-00	1	PCBA	9	R0201208-00	1	Ensemble de dents
4	R0201203-00	1	Petite goupille de sécurité	10	R0201209-00	1	Goupille annulaire
5	R0201204-00	1	Bouclier	11	R0201210-00	1	Boîte d'engrenage
6	R0201205-00	1	Roue				

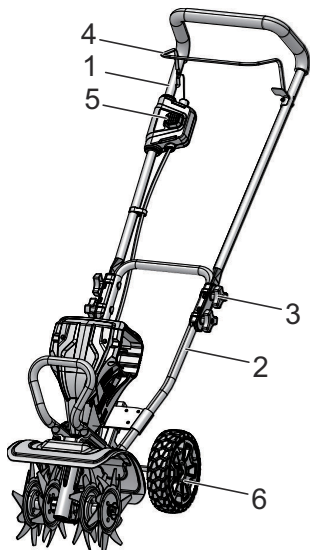
1	Descripción.....	23	3.1	Desembalaje de la máquina.....	26
1.1	Uso previsto.....	23	4	Aplicaciones.....	28
1.2	Perspectiva general.....	23	4.1	Puesta en marcha de la máquina.....	28
2	Advertencias generales de seguridad para herramientas eléctricas.....	23	4.2	Detención de la máquina.....	28
2.1	Instrucciones importantes de seguridad.....	23	4.3	Anchura de cultivo estrecha.....	28
2.2	Normas específicas de seguridad.....	24	4.4	Consejos de funcionamiento.....	28
2.3	Símbolos en el producto.....	25	5	Mantenimiento.....	29
2.4	Niveles de riesgo.....	25	5.1	Limpieza de la máquina.....	29
2.5	Eliminación de batería segura para el medio ambiente.....	26	6	Almacenamiento de la máquina.....	29
2.6	Propuesta 65.....	26	7	Solución de problemas.....	29
2.7	Conserve estas instrucciones.....	26	8	Datos técnicos.....	29
3	Instalación.....	26	9	Garantía limitada.....	30
			10	Vista despiezada.....	31

1 DESCRIPCIÓN

1.1 USO PREVISTO

El cultivador a batería se ha diseñado para aflojar la tierra en una zona ajardinada abierta. Este producto no está destinado para un uso comercial. No lo use para ninguna tarea comercial.

1.2 PERSPECTIVA GENERAL



- | | |
|----------------------------|---------------------------------|
| 1 Asa superior | 5 Botón de bloqueo de seguridad |
| 2 Asa inferior | 6 Conjunto de las ruedas |
| 3 Tuerca de mariposa | |
| 4 Interruptor de seguridad | |

2 ADVERTENCIAS GENERALES DE SEGURIDAD PARA HERRAMIENTAS ELÉCTRICAS

▲ AVISO

Lea todas las advertencias de seguridad y todas las instrucciones. El incumplimiento de las advertencias e instrucciones puede provocar descargas eléctricas, incendios o lesiones graves.

Guarde todas las advertencias e instrucciones para su consulta posterior.

El término "herramienta eléctrica" empleado en las advertencias se refiere a su herramienta eléctrica con funcionamiento a batería (inalámbrica).

2.1 INSTRUCCIONES IMPORTANTES DE SEGURIDAD

- Utilice el aparato adecuado – No utilice el aparato para trabajos distintos del previsto.
- Lea detenidamente el manual del operario. Familiarícese a fondo con los controles y el uso correcto del equipo. Debe saber cómo detener la unidad y desacoplar los controles rápidamente.
- No utilice la máquina en atmósferas explosivas, como en la presencia de líquidos, gases o polvo que puedan inflamarse. La máquina genera chispas que pueden encender el polvo o los gases.
- Evite el contacto del cuerpo con superficies conectadas a tierra, como tuberías, radiadores, estufas y refrigeradores. Existe un riesgo aumentado de descarga eléctrica si su cuerpo está conectado a tierra.
- Evite los entornos peligrosos – No exponga a la lluvia ni utilice la máquina en lugares húmedos o mojados. Si penetra agua en la máquina, aumentará el riesgo de descarga eléctrica.
- Nunca permita que los niños utilicen el equipo. Nunca permita que utilicen el equipo adultos sin la debida instrucción.
- Lleve siempre gafas de seguridad con protectores laterales que cumplan con la norma ANSI Z87.1. Las gafas normales solo tienen lentes resistentes a impactos. NO son gafas de seguridad. Si sigue esta regla reducirá el riesgo de lesiones oculares. Lleve siempre una máscara facial si se levanta polvo durante el funcionamiento.
- Lleve indumentaria adecuada – No lleve ropa o joyas sueltas. Pueden quedar atrapadas en las piezas móviles. Se recomienda el uso de guantes de goma y calzado resistente cuando se trabaje en el exterior. Lleve una protección capilar para sujetar el cabello largo.
- No fuerce la máquina — Utilice la herramienta correcta para su aplicación. La herramienta correcta hará el trabajo mejor y con mayor seguridad a la velocidad para la que se diseñó.
- No utilice el equipo si está descalzo o lleva sandalias o un calzado ligero similar. Lleve calzado de protección que proteja los pies y mejore el agarre en superficies resbaladizas.
- No utilice la máquina bajo la influencia de alcohol o drogas.
- No se estire — Mantenga en todo momento una postura firme y el equilibrio. Estrirse en exceso puede hacer que pierda el equilibrio.
- Evite el arranque accidental. Asegúrese de que el interruptor esté en la posición de apagado antes de conectar a la batería y al coger o transportar el aparato. El transporte del aparato con el dedo en el interruptor o la conexión de un aparato que tiene el interruptor activado fomenta los accidentes.
- Evite la puesta en marcha accidental – No transporte una máquina inalámbrica con el dedo sobre el interruptor. Asegúrese de que el interruptor esté desactivado al insertar la batería.

- Nunca levante ni transporte la máquina mientras los dientes estén girando o el motor esté en marcha.
- Mantenga la máquina en buen estado de funcionamiento. Compruebe todas las tuercas, los pernos y los tornillos a intervalos frecuentes para garantizar un apriete adecuado y que el equipo esté en condiciones seguras de funcionamiento.
- Mantenga la máquina limpia de hierba, hojas o grasa para reducir el riesgo de incendio.
- No utilice la máquina si el interruptor no la enciende o la apaga. Cualquier herramienta que no pueda controlarse con el interruptor es peligrosa y debe repararse.
- Desconecte la batería del aparato antes de realizar ajustes, cambiar accesorios o almacenarlo. Estas medidas de seguridad preventivas reducen el riesgo de que el aparato se ponga en marcha accidentalmente.
- Antes de limpiar, reparar o inspeccionar, retire la batería y asegúrese de que todas las piezas en movimiento se hayan detenido.
- Nunca pulverice agua directamente en el compartimento del motor de la máquina.
- Utilice únicamente piezas de repuesto idénticas al realizar tareas de servicio en la máquina. El uso de piezas no autorizadas puede generar un riesgo de lesiones graves para el usuario o daños en el producto.
- Asegúrese de que las personas y las mascotas estén al menos a 15 m (50 pies) de la máquina mientras esté en uso.
- Asegúrese de que la superficie de trabajo no tenga puntos resbaladizos o cantidades excesivas de piedra.
- Ponga en marcha la máquina con cuidado de acuerdo con las instrucciones desde una posición normal de operación y con los pies bien alejados de los dientes. Hará el trabajo mejor y con menos probabilidades de sufrir lesiones a la velocidad para la que se diseñó.
- Mantenga las manos alejadas de las cuchillas.
- Retire la batería de la máquina antes de desatascar los dientes y al realizar reparaciones, ajustes o inspecciones.
- Nunca utilice el equipo en una pendiente.
- Extreme las precauciones cuando lleve la máquina hacia usted.
- Cuando no esté en uso, la máquina debe almacenarse en interiores, en un lugar seco y alto o cerrado, fuera del alcance de los niños.
- Cuando la batería no esté en uso, manténgala alejada de otros objetos metálicos como clips, monedas, llaves, clavos, tornillos u otros objetos metálicos pequeños que puedan hacer una conexión entre los terminales. El cortocircuito de los terminales de la batería puede provocar quemaduras o un incendio.
- Mantenga alejados a los niños – Todos los visitantes y transeúntes deben mantenerse a una distancia de al menos 15 m de la zona de trabajo.
- No utilice una batería o un aparato que haya sufrido daños o modificaciones. Las baterías dañadas o modificadas pueden exhibir un comportamiento impredecible que puede dar lugar a un incendio, una explosión o un riesgo de lesiones.
- No agarre las cuchillas de corte expuestas o los filos de corte cuando levante o sujete la máquina.
- No exponga una batería o un aparato al fuego ni a temperaturas excesivas. La exposición al fuego o a una temperatura superior a 130°C puede provocar una explosión. La temperatura de 130°C puede sustituirse por la temperatura de 265°F.
- Siga todas las instrucciones de carga y no cargue la batería o el aparato fuera del intervalo de temperatura especificado en las instrucciones. La carga incorrecta o a temperaturas fuera del intervalo especificado puede dañar la batería y aumentar el riesgo de incendio.
- Solicite a un técnico de reparación cualificado que realice las tareas de servicio utilizando únicamente piezas de repuesto idénticas. Esto garantizará el mantenimiento de la seguridad del producto.
- No modifique ni intente reparar el aparato o la batería (según corresponda), excepto lo indicado en las instrucciones de uso y cuidado.
- Compruebe las piezas dañadas. Antes de seguir utilizando este cultivador, una protección u otra pieza dañada debe comprobarse detenidamente para determinar si funcionará correctamente y cumplirá su función prevista. Compruebe la alineación de las piezas móviles, la unión de las piezas

2.2 NORMAS ESPECÍFICAS DE SEGURIDAD

- Limpieza, mantenimiento por parte del usuario (como el ajuste de la lubricación y similar), operaciones recomendadas por el fabricante y una advertencia al usuario de que cualquier otra tarea de servicio debe ser realizada por un representante de servicio autorizado.
- No utilice cerca de cables eléctricos subterráneos, líneas telefónicas, tuberías o mangueras. En caso de duda, contacte con su compañía de servicios o de teléfono para ubicar servicios subterráneos.
- Si la máquina golpea un objeto extraño, detenga el motor, retire la batería, inspeccione minuciosamente la máquina para detectar posibles daños y repárela antes de volver a encenderla y ponerla en funcionamiento.
- Cuide el mantenimiento del aparato – Mantenga el filo afilado y limpio para un mejor rendimiento y para reducir el riesgo de lesiones.
- No sobrecargue la capacidad de la máquina cultivando demasiado profundo en una sola pasada o a una velocidad demasiado rápida.
- Permanezca alerta. Observe lo que está haciendo. Utilice el sentido común. No utilice la máquina cuando esté cansado, enfermo o alterado.
- No utilice bajo la lluvia.
- Tenga en cuenta que el equipo puede rebotar inesperadamente hacia arriba o saltar hacia delante si los dientes golpean obstáculos enterrados, como piedras grandes, raíces o tocones.
- Lleve protección auditiva.

móviles, la rotura de piezas, el montaje y cualquier otra condición que pueda afectar a su funcionamiento. Una protección u otra pieza que esté dañada debe ser reparada o sustituida debidamente por un centro de servicio autorizado, a menos que se indique lo contrario en este manual.

- Conserve estas instrucciones. Consúltelas con frecuencia y utilícelas para instruir a otras personas que puedan utilizar este cultivador. Si presta esta unidad a otra persona, también debe prestarle estas instrucciones.
- Para uso únicamente con baterías Greenworks BAB726 u otras series BAB.
- Para uso únicamente con el cargador Greenworks 2901402 u otras series CAB.
- No elimine las baterías en el fuego, las celdas pueden explotar; consulte los códigos locales para obtener instrucciones especiales para la eliminación.
- No abra, desguace ni manipule de otro modo la batería. El electrolito que se libera es corrosivo y puede producir daños en los ojos o la piel; puede ser tóxico si se ingiere.
- Tenga cuidado al manipular las baterías para no cortocircuitarlas con materiales conductores como anillos, pulseras y llaves. La batería o el conductor puede sobrecalentarse y producir quemaduras.

El intervalo de temperatura ambiente recomendado:

Elemento	Temperatura
Intervalo de temperatura de almacenamiento del cultivador	14°F (-10°C) - 104°F (40°C)
Intervalo de temperatura de funcionamiento del cultivador	32°F (0°C) - 104°F (40°C)
Intervalo de temperatura de carga de la batería	39°F (4°C) - 104°F (40°C)
Intervalo de temperatura de funcionamiento del cargador	39°F (4°C) - 104°F (40°C)
Intervalo de temperatura de almacenamiento de la batería	1 año: 32°F (0°C) - 73°F (23°C)
	3 mes: 32°F (0°C) - 113°F (45°C)
	1 mes: 32°F (0°C) - 140°F (60°C)
Intervalo de temperatura de descarga de la batería	6,8°F (-14°C) - 113°F (45°C)



2.3 SÍMBOLOS EN EL PRODUCTO

En el producto pueden utilizarse algunos de los siguientes símbolos. Le rogamos que los estudie y aprenda su significado. La interpretación correcta de estos símbolos le permitirá manejar el producto mejor y de manera más segura.

Símbolo	Explicación
V	Tensión
A	Corriente
Hz	Frecuencia (ciclos por segundo)
	No exponga el producto a la lluvia o a condiciones de humedad.
	Tipo o una característica de corriente
	Mantenga los pies y las manos alejados de los dientes giratorios.
	Los objetos proyectados pueden rebotar y provocar lesiones personales o daños materiales. Lleve indumentaria de protección y botas.
	Precauciones que afectan a su seguridad.
	Debe leer y entender todas las instrucciones antes de manejar el producto, así como seguir todas las advertencias e instrucciones de seguridad.
	Lleve protección ocular y auditiva.
	Mantenga a los transeúntes al menos a 15 m.

2.4 NIVELES DE RIESGO

Las siguientes indicaciones y significados tienen como fin explicar los niveles de riesgo asociados a este producto.

SÍMBOLO	INDICACIÓN	SIGNIFICADO
	PELIGRO	Indica una situación de peligro inminente que, de no evitarse, provocará lesiones graves o incluso la muerte.
	ADVERTENCIA	Indica una situación de peligro potencial que, de no evitarse, podría provocar lesiones graves o incluso la muerte.
	PRECAUCIÓN	Indica una situación de peligro potencial que, de no evitarse, puede provocar lesiones leves o moderadas.
	PRECAUCIÓN	(Sin símbolo de alerta sobre seguridad) Indica una situación que puede provocar daños materiales.

2.5 ELIMINACIÓN DE BATERÍA SEGURA PARA EL MEDIO AMBIENTE



Los materiales tóxicos y corrosivos que figuran a continuación se encuentran en las baterías utilizadas en esta máquina: **Ion de litio, un material tóxico.**

▲ AVISO

Deseche todos los materiales tóxicos de una manera especificada para evitar la contaminación del medio ambiente. Antes de desechar una batería de ion de litio dañada o agotada, contacte con la agencia local de eliminación de residuos o con la agencia de protección ambiental local para obtener información e instrucciones específicas. Lleve las baterías a un centro de reciclaje o eliminación local, certificado para la eliminación de ion de litio.

▲ AVISO

Si la batería se agrieta o se rompe, con o sin fugas, no la recargue ni la utilice. Deséchela y sustitúyala por una batería nueva. **¡NO INTENTE REPARARLA!** Para evitar lesiones y riesgos de incendio, explosión o descarga eléctrica, y para evitar daños al medio ambiente:

- Cubra los terminales de la batería con cinta adhesiva resistente.
- NO intente retirar o destruir ninguno de los componentes de la batería.
- NO intente abrir la batería.
- Si se produce una fuga, los electrolitos liberados son corrosivos y tóxicos. NO deje que la solución entre en contacto con los ojos o la piel, y no la ingiera.
- NO deseche estas baterías con la basura doméstica normal.
- NO incinere.
- NO lleve las baterías a lugares donde formarán parte de vertederos de residuos o flujos de residuos sólidos urbanos.
- Lívelas a un centro de reciclaje o eliminación certificado.

2.6 PROPUESTA 65

▲ AVISO

Este producto contiene una sustancia química conocida en el estado de California como causante de cáncer, defectos de nacimiento u otros daños reproductivos. El polvo generado por el lijado eléctrico, el serrado, el esmerilado, la perforación y otras actividades de construcción contiene sustancias químicas que se sabe que son causantes de cáncer, defectos de nacimiento u otros daños reproductivos. Algunos ejemplos de estas sustancias químicas son:

- Plomo de pinturas con base de plomo;
- Sílice cristalina de ladrillos y cemento y otros productos de albañilería;
- Arsénico y cromo de la madera tratada químicamente.

El riesgo de exposición a estas sustancias químicas varía según la frecuencia con la que realice este tipo de trabajo. Para reducir su exposición a estas sustancias químicas, trabaje en una zona bien ventilada y trabaje con equipos de seguridad aprobados, como máscaras antipolvo, que estén especialmente diseñadas para filtrar partículas microscópicas.

2.7 CONSERVE ESTAS INSTRUCCIONES

3 INSTALACIÓN

- Sustituya la batería o el cargador inmediatamente si estos han sufrido daños.
- Asegúrese de que la unidad esté apagada antes de instalar o retirar la batería.

3.1 DESEMBALAJE DE LA MÁQUINA

▲ AVISO

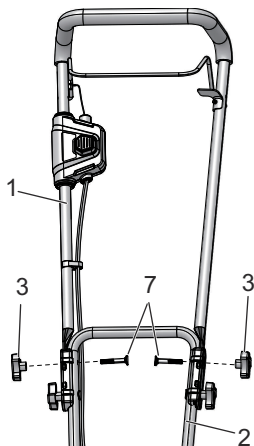
Asegúrese de montar correctamente la máquina antes del uso.

▲ AVISO

- Si las piezas presentan daños, no utilice la máquina.
- Si no tiene todas las piezas, no utilice la máquina.
- Si faltan piezas o hay piezas dañadas, hable con el centro de servicio.

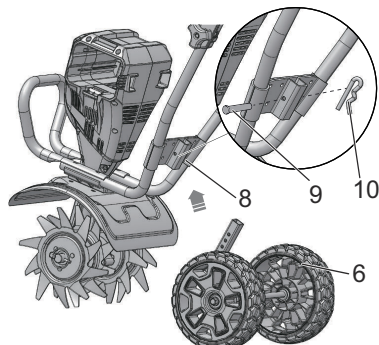
1. Abra el embalaje.
2. Lea la documentación que se encuentra en la caja.
3. Retire todas las piezas sin montar de la caja.
4. Retire la máquina de la caja.
5. Deseche la caja y el embalaje de conformidad con los reglamentos locales.

3.1.1 INSTALACIÓN DEL ASA



1. Alinee los orificios del asa superior (1) con los orificios del asa inferior (2).
2. Introduzca los pernos (7) por las asas.
3. Utilice las tuercas de mariposa (3) para apretarlos.

3.1.2 INSTALACIÓN DE LA RUEDA



1. Inserte el conjunto de las ruedas (6) en la barra de soporte (8).
2. Alinee el orificio del conjunto de las ruedas en la posición deseada.
3. Deslice el perno (9) por el orificio y fije el pasador de enganche pequeño (10) al perno.

i NOTA

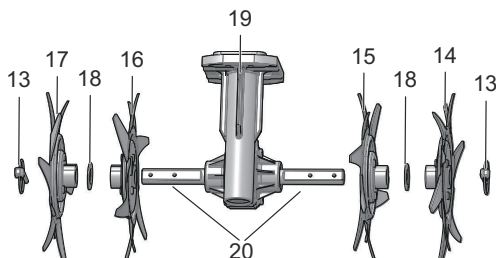
La posición de las ruedas de la máquina es ajustable. Puede controlar la profundidad de funcionamiento mediante el ajuste de la posición de las ruedas.

i NOTA

Las ruedas pueden quitarse para una profundidad de labrado mayor.

3.1.3 INSTALACIÓN DE LOS DIENTES

ES



El cultivador tiene cuatro dientes - dos dientes interiores estampados B y C y dos dientes exteriores estampados A y D. Para el correcto funcionamiento de la unidad, los dientes deben instalarse en la orientación correcta.

1. Coloque la máquina sobre una superficie plana y lisa.
2. Coloque el diente C (16) en el eje de los dientes (20) a la izquierda de la caja de engranajes. El lado estampado del diente debe quedar alejado de la caja de engranajes (19).
3. Coloque el diente B (15) en el eje de los dientes a la derecha de la caja de engranajes. El lado estampado del diente debe quedar alejado de la caja de engranajes.
4. Coloque una arandela de fieltro (18) a cada lado del eje de los dientes y deslice para apoyarla contra los dientes interiores.
5. Coloque el diente exterior D (17) en el lado izquierdo del eje de los dientes. El lado estampado debe mirar hacia el diente C (16).
6. Coloque el diente exterior A (14) en el lado derecho del eje de los dientes. El lado estampado debe mirar hacia el diente B (15).
7. Para fijar los dientes al eje de los dientes, inserte los pasadores de anillo (13) en los orificios situados a ambos lados del eje de los dientes.

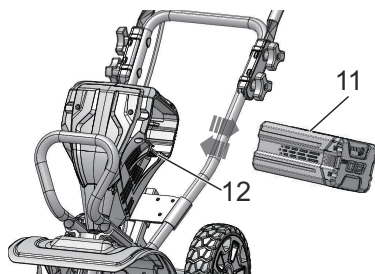
i NOTA

La unidad no funcionará correctamente si los dientes están instalados incorrectamente. Si observa un problema con la operación de cultivo de la unidad, compruebe la colocación correcta de los dientes.

▲ AVISO

Los dientes y la máquina pueden sufrir daños incluso si mueve la máquina con el motor apagado. Para evitar que los dientes toquen el suelo durante el movimiento, incline la máquina.

3.1.4 INSTALACIÓN DE LA BATERÍA



▲ AVISO

- Si la batería o el cargador ha sufrido daños, sustituya la batería o el cargador.
- Detenga la máquina y espere hasta que el motor se pare antes de instalar o retirar la batería.
- Debe leer, conocer y seguir las instrucciones del manual de la batería y el cargador.

1. Alinee las nervaduras de elevación de la batería (11) con las ranuras del compartimento de la batería.
2. Introduzca la batería en el compartimento de la batería hasta que encaje en su posición.
3. Cuando escuche un clic, la batería está instalada.

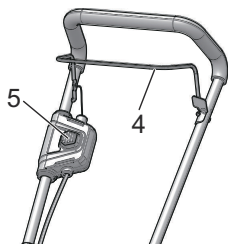
3.1.5 RETIRADA DE LA BATERÍA

1. Pulse y mantenga pulsado el botón de desbloqueo de la batería (12).
2. Retire la batería de la máquina.

4 APLICACIONES

- Disgregado de la tierra del jardín para preparar semilleros para la plantación.
- Cultivo superficial para eliminar las malas hierbas.

4.1 PUESTA EN MARCHA DE LA MÁQUINA



1. Pulse el botón de bloqueo de seguridad (5).
2. Tire del interruptor de seguridad (4) hacia el asa mientras mantiene pulsado el botón de bloqueo de seguridad.
3. Suelte el botón de bloqueo de seguridad.

▲ AVISO

Sujete la máquina con las dos manos durante el funcionamiento.

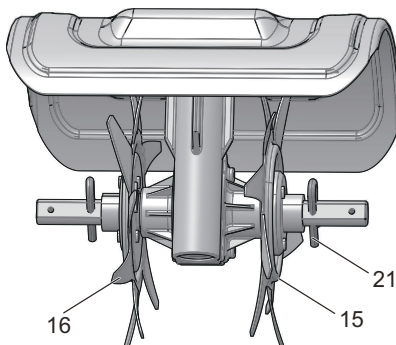
¡ NOTA

Colócese detrás de la máquina con los dientes en el suelo y la superficie de trabajo limpia y sin obstrucciones.

4.2 DETENCIÓN DE LA MÁQUINA

1. Suelte el interruptor de seguridad para detener la máquina.

4.3 ANCHURA DE CULTIVO ESTRECHA



Las dos cuchillas de dientes exteriores pueden retirarse de la unidad para permitir una anchura de cultivo más estrecha.

1. Retire los pasadores de anillo de los orificios en los extremos del eje de los dientes.
2. Retire los dientes exteriores y los fieltros del eje de los dientes.
3. Coloque los pasadores de enganche grandes (21) en los orificios.

4.4 CONSEJOS DE FUNCIONAMIENTO

El cultivador puede utilizarse para disgregar la tierra del jardín y preparar un semillero para plantar. Planifique con antelación para dejar suficiente espacio entre las hileras de semillas para permitir el cultivo a máquina después de que las plantas hayan crecido.

1. Puede que sea necesario pasar varias veces sobre el mismo surco para alcanzar la profundidad deseada. No intente cavar demasiado profundo en la primera pasada.
2. Si la máquina salta o gira, deje que la unidad avance a una velocidad ligeramente más rápida o instale el conjunto de las ruedas.

3. Si el cultivador se queda y cava en un lugar, intente moverlo de lado a lado para que empiece a avanzar nuevamente.
4. Si la tierra está muy compactada, riegue unos días antes de cultivar. Evite trabajar la tierra cuando esté húmeda o mojada. Espere uno o dos días después de fuertes lluvias para que la tierra se seque.
5. El cultivo superficial de menos de 5 cm. puede utilizarse para quitar las malas hierbas y airear la tierra, sin dañar las raíces de las plantas cercanas. Debe hacerse con frecuencia para que no crezcan las malas hierbas y produzcan enredos en los dientes de la unidad.

5 MANTENIMIENTO

▲ PRECAUCIÓN

No permita que líquidos de frenos, gasolina y otros derivados del petróleo toquen las piezas de plástico. Las sustancias químicas pueden dañar el plástico y hacer que quede inservible.

▲ PRECAUCIÓN

No utilice disolventes o detergentes fuertes en la carcasa o los componentes de plástico.

▲ AVISO

Retire la batería de la máquina antes de realizar tareas de mantenimiento.

5.1 LIMPIEZA DE LA MÁQUINA

▲ AVISO

Mantenga la máquina y el motor libres de hojas, ramas o exceso de aceite para evitar riesgos de incendio.

- Utilice un paño húmedo con un detergente suave para limpiar la máquina.
- Limpie toda la humedad con un paño suave y seco.
- Utilice un cepillo pequeño para limpiar los orificios de ventilación.

6 ALMACENAMIENTO DE LA MÁQUINA

- Limpie la máquina antes del almacenamiento.
- Asegúrese de que el motor no esté caliente cuando almacene la máquina.
- Asegúrese de que la máquina no tenga piezas sueltas o dañadas. Si es necesario, siga estos pasos/estas instrucciones:
 - Sustituya las piezas dañadas.
 - Apriete los pernos.
 - Hable con una persona de un centro de servicio aprobado.

- Almacene la máquina en una zona seca.
- Asegúrese de que los niños no puedan acercarse a la máquina.

7 SOLUCIÓN DE PROBLEMAS

Problema	Posible causa	Solución
El motor se apaga mientras trabaja.	La batería no se ha instalado bien.	Asegúrese de que ha instalado bien la batería en la máquina.
	La batería se ha agotado.	Cargue la batería.
	La máquina ha sufrido daños.	No utilice la máquina y consulte con un centro de servicio.
La máquina echa humo durante el funcionamiento.	La máquina ha sufrido daños.	<ol style="list-style-type: none"> 1. Detenga la máquina inmediatamente. 2. Retire la batería. 3. Consulte con un centro de servicio.
El motor funciona pero los dientes no se mueven.	La máquina ha sufrido daños.	No utilice la máquina y consulte con un centro de servicio.
	Los dientes están bloqueados.	Retire la batería, posteriormente elimine el bloqueo de los dientes.
	Fallo del tren de engranajes.	Consulte con un centro de servicio.

8 DATOS TÉCNICOS

Tensión	80V
Velocidad sin carga	170 (±5%) RPM
Surco de cultivo	10" (25 cm)
Peso (sin batería)	29.3 lbs. (13.3 kg)
Profundidad de cultivo	5" (13 cm)

9 GARANTÍA LIMITADA



Por la presente Greenworks garantiza este producto, al comprador original con el comprobante de compra, durante un periodo de cuatro (4) años frente a defectos en materiales, piezas o mano de obra. A su entera discreción Greenworks reparará o sustituirá cualquiera y todas las piezas que resulten ser defectuosas, con un uso normal, sin coste alguno para el cliente. Esta garantía es válida únicamente para unidades que se hayan utilizado para uso personal que no han sido arrendadas o alquiladas para uso industrial/comercial y cuyo mantenimiento se ha realizado de acuerdo con las instrucciones del manual del propietario suministrado con el producto nuevo.

ARTÍCULOS NO CUBIERTOS POR LA GARANTÍA:

1. Cualquier pieza que no funcione debido a mal uso, uso comercial, abuso, negligencia, accidente, mantenimiento inadecuado o alteración; o
2. La unidad, si no ha sido utilizada o mantenida de acuerdo con el manual del propietario; o
3. Desgaste normal, excepto en lo indicado a continuación;
4. Artículos de mantenimiento de rutina tales como lubricantes, afilado de cuchillas;
5. Deterioro normal del acabado exterior debido al uso o la exposición.

LÍNEA DE ASISTENCIA TELEFÓNICA:

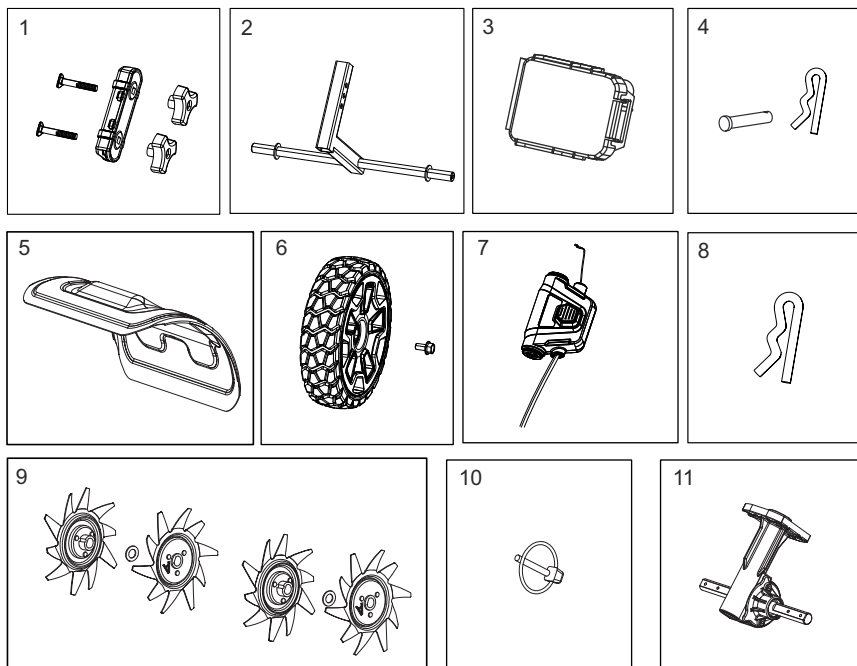
Puede contactar con el servicio de garantía llamando a nuestra línea de asistencia telefónica gratuita, a 1-855-345-3934.

COSTES DE TRANSPORTE:

Los costes de transporte por el desplazamiento de cualquier unidad o accesorio de equipos eléctricos son responsabilidad del comprador. Es responsabilidad del comprador pagar los costes de transporte de cualquier pieza enviada para su sustitución bajo esta garantía, a menos que dicha devolución sea solicitada por escrito por Greenworks.

Dirección en EE.UU.:	Dirección en Canadá:
Greenworks Tools	Greenworks Tools Canada Inc.
P.O. Box 1238	1110 Stellar Drive Unit 102
Mooresville, NC 28115	Newmarket, ON, L3Y 7B7

10 VISTA DESPIEZADA



Nº	Nº pieza	Cant.	Descripción	Nº	Nº pieza	Cant.	Descripción
1	R0201200-00	1	Conjunto de mando del asa	7	R0201206-00	1	Caja de acoplamiento del motor
2	R0201201-00	1	Conjunto de portador de ruedas	8	R0201207-00	1	Pasador de enganche grande
3	R0201202-00	1	PCBA	9	R0201208-00	1	Conjunto de dientes
4	R0201203-00	1	Pasador de enganche pequeño	10	R0201209-00	1	Pasador de anillo
5	R0201204-00	1	Protección	11	R0201210-00	1	Caja de engranajes
6	R0201205-00	1	Rueda				