

greenworks

proTM

**EA80L00
EA80L410**

EN	EARTH AUGER	OPERATOR MANUAL
FR	TARIÈRE	MANUEL D'OPÉRATEUR
ES	AHOYADOR	MANUAL DEL OPERADOR



EAB401

www.greenworkstools.com

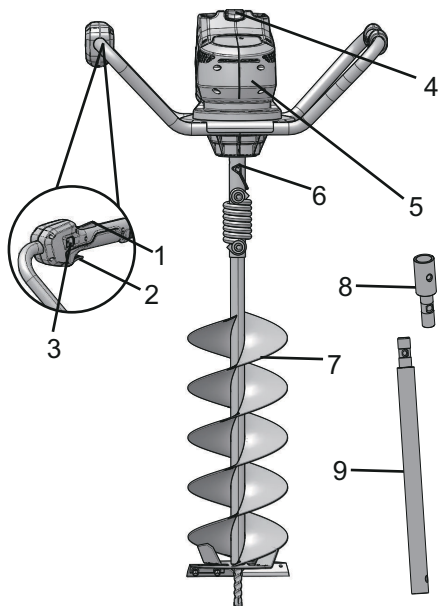
1	Description.....	4	8	Installation.....	7
1.1	Purpose.....	4	8.1	Unpack the machine.....	7
1.2	Overview.....	4	9	Operation.....	8
2	General power tool safety		9.1	Start the machine.....	8
	warnings.....	4	9.2	Stop the machine.....	8
2.1	Work area safety.....	4	9.3	Operation tips.....	8
2.2	Electrical safety.....	4	10	Maintenance.....	9
2.3	Personal safety.....	4	10.1	Clean the machine.....	9
2.4	Power tool use and care.....	5	11	Store the machine.....	9
2.5	Battery tool use and care.....	5	12	Troubleshooting.....	9
2.6	Service.....	5	13	Technical data.....	10
3	Proposition 65.....	5	14	Limited warranty.....	10
4	Child safety.....	6	15	Exploded view.....	10
5	Symbols on the product.....	6			
6	Risk levels.....	6			
7	Environmentally safe battery				
	disposal.....	6			

1 DESCRIPTION

1.1 PURPOSE

This machine is intended for drilling into dirt and soil to create holes in the ground.

1.2 OVERVIEW



- | | |
|--------------------------|------------------------------|
| 1 Trigger | 6 Ring pin |
| 2 Safety lock button | 7 Bit (sold separately) |
| 3 Forward/Reverse switch | 8 Adaptor (sold separately) |
| 4 Battery release button | 9 Extender (sold separately) |
| 5 Power head | |

2 GENERAL POWER TOOL SAFETY WARNINGS

▲ WARNING

Read all safety warnings, instructions, illustrations and specifications provided with this power tool. Failure to follow all instructions listed below may result in electric shock, fire and/or serious injury.

Save all warnings and instructions for future reference.

The term "power tool" in the warnings refers to your battery-operated (cordless) power tool.

2.1 WORK AREA SAFETY

- **Keep work area clean and well lit.** Cluttered or dark areas invite accidents.
- **Do not operate power tools in explosive atmospheres, such as in the presence of flammable liquids, gases or dust.** Power tools create sparks which may ignite the dust or fumes.
- **Keep children and bystanders away while operating a power tool.** Distractions can cause you to lose control.

2.2 ELECTRICAL SAFETY

- **Power tool plugs must match the outlet. Never modify the plug in any way. Do not use any adapter plugs with earthed (grounded) power tools.** Unmodified plugs and matching outlets will reduce risk of electric shock.
- **Avoid body contact with earthed or grounded surfaces, such as pipes, radiators, ranges and refrigerators.** There is an increased risk of electric shock if your body is earthed or grounded.
- **Do not expose power tools to rain or wet conditions.** Water entering a power tool will increase the risk of electric shock.
- **Do not abuse the cord.** Never use the cord for carrying, pulling or unplugging the power tool. Keep cord away from heat, oil, sharp edges or moving parts. Damaged or entangled cords increase the risk of electric shock.
- **When operating a power tool outdoors, use an extension cord suitable for outdoor use.** Use of a cord suitable for outdoor use reduces the risk of electric shock.
- **If operating a power tool in a damp location is unavoidable, use a RESIDUAL CURRENT DEVICE (RCD) protected supply.** Use of an RCD reduces the risk of electric shock.

2.3 PERSONAL SAFETY

- **Stay alert, watch what you are doing and use common sense when operating a power tool. Do not use a power tool while you are tired or under the influence of drugs, alcohol or medication.** A moment of inattention while operating power tools may result in serious personal injury.
- **Use personal protective equipment.** Always wear eye protection. Protective equipment such as a dust mask, non-skid safety shoes, hard hat or hearing protection used appropriately will reduce personal injuries.
- **Prevent unintentional starting.** Ensure the switch is in the off position before connecting to power source and/or battery pack and when picking up or carrying the tool. Carrying power tools with your finger on the switch or energizing power tools that have the switch on invites accidents.
- **Remove any adjusting key or wrench before turning the power tool on.** A wrench or a key left attached to a rotating part of the power tool may result in personal injury.

- **Do not over-reach. Keep proper footing and balance at all times.** *This enables better control of the power tool in unexpected situations.*
- **Dress properly. Do not wear loose clothing or jewelry. Keep your hair, clothing and gloves away from moving parts.** *Loose clothes, jewelry or long hair can be caught in moving parts.*
- **If devices are provided for the connection of dust extraction and collection facilities, ensure these are connected and properly used.** *Use of dust collection can reduce dust related hazards.*
- **Do not let familiarity gained from frequent use of tools allow you to become complacent and ignore tool safety principles.** *A careless action can cause severe injury within a fraction of a second.*
- **Use power tools only with specifically designated battery packs.** *Use of any other battery packs may create a risk of injury and fire.*
- **When battery pack is not in use, keep it away from other metal objects like paper clips, coins, keys, nails, screws, or other small metal objects that can make a connection from one terminal to another.** *Shorting the battery terminals together may cause burns or fire.*
- **Under abusive conditions, liquid may be ejected from the battery; avoid contact. If contact accidentally occurs, flush with water. If liquid contacts eyes, additionally seek medical help.** *Liquid ejected from the battery may cause irritation or burns.*
- **Do not use a battery pack or tool that is damaged or modified.** *Damaged or modified batteries may exhibit unpredictable behavior resulting in fire, explosion or risk of injury.*

2.4 POWER TOOL USE AND CARE

- **Do not force the power tool. Use the correct power tool for your application.** *The correct power tool will do the job better and safer at the rate for which it was designed.*
- **Do not use the power tool if the switch does not turn it on and off.** *Any power tool that cannot be controlled with the switch is dangerous and must be repaired.*
- **Disconnect the plug from the power source and/or remove the battery pack, from the power tool before making any adjustments, changing accessories, or storing power tools.** *Such preventive safety measures reduce the risk of starting the power tool accidentally.*
- **Store idle power tools out of the reach of children and do not allow persons unfamiliar with the power tool or these instructions to operate the power tool.** *Power tools are dangerous in the hands of untrained users.*
- **Maintain power tools and accessories. Check for misalignment or binding of moving parts, breakage of parts and any other condition that may affect the power tool's operation. If damaged, have the power tool repaired before use.** *Many accidents are caused by poorly maintained power tools.*
- **Keep cutting tools sharp and clean.** *Properly maintained cutting tools with sharp cutting edges are less likely to bind and are easier to control.*
- **Use the power tool, accessories and tool bits etc. in accordance with these instructions, taking into account the working conditions and the work to be performed.** *Use of the power tool for operations different from those intended could result in a hazardous situation.*
- **Keep handles and grasping surfaces dry, clean and free from oil and grease.** *Slippery handles and grasping surfaces do not allow for safe handling and control of the tool in unexpected situations.*

2.5 BATTERY TOOL USE AND CARE

- **Recharge only with the charger specified by the manufacturer.** *A charger that is suitable for one type of battery pack may create a risk of fire when used with another battery pack.*

- **Do not expose a battery pack or tool to fire or excessive temperature.** *Exposure to fire or temperature above 130°C may cause explosion.*
- **Follow all charging instructions and do not charge the battery pack or tool outside the temperature range specified in the instructions.** *Charging improperly or at temperatures outside the specified range may damage the battery and increase the risk of fire.*

2.6 SERVICE

- **Have your power tool serviced by a qualified repair person using only identical replacement parts.** *This will ensure that the safety of the power tool is maintained.*
- **Never service damaged battery packs.** *Service of battery packs should only be performed by the manufacturer or authorized service providers.*

3 PROPOSITION 65

▲ WARNING

This product contains a chemical known to the state of California to cause cancer, birth defects or other reproductive harm. Some dust created by power sanding, sawing, grinding, drilling, and other construction activities contains chemicals known to cause cancer, birth defects or other reproductive harm. Some examples of these chemicals are:

- Lead from lead-based paints;
- Crystalline silica from bricks and cement and other masonry products;
- Arsenic and chromium from chemically treated lumber.

Your risk of exposure to these chemicals varies depending on how often you do this type of work. To reduce your exposure to these chemicals, work in a well-ventilated area, and work with approved safety equipment, such as dust masks that are specially designed to filter out microscopic particles.

Save these instructions.








4 CHILD SAFETY




Tragic accidents can occur if the operator is not aware of the presence of children.

- Keep children out of the working area and under the watchful care of a responsible adult.
- Do not allow children under the age of 14 to operate this machine. Children who are 14 years of age and older must read and understand the operating instructions and safety rules in this manual and must be trained and supervised by a parent.
- Stay alert, and turn the machine off if a child or any other person enters the working area.
- Use extreme care when approaching blind corners, doorways, shrubs, trees, or other objects that may obscure your view of a child who may run into the path of the machine.

5 SYMBOLS ON THE PRODUCT




Some of the following symbols may be used on this tool. Please study them and learn their meaning. Proper interpretation of these symbols will allow you to operate the tool better and safer.

Symbol	Explanation
V	Voltage
A	Current
W	Power
min	Time
min ⁻¹	Revolutions, strokes, surface speed, or orbits etc., per minute
≡	Direct current
	Read and understand all instructions before operating the product, and follow all warnings and safety instructions.
	Precautions that involve your safety.
	Always wear eye protection with side shields marked to comply with ANSI Z87.1 when operating this equipment.
	Do not expose the product to rain or moist conditions.
	Keep all bystanders at least 15 m (50 ft.) away.
	Failure to keep loose clothing from being drawn into air intake could result in personal injury.
	Failure to keep long hair away from the air inlet could result in personal injury.

Symbol	Explanation
	Rotating impeller blades can cause severe injury.
	Wear non-slip, heavy-duty gloves.
	Wear ear protection.

6 RISK LEVELS

The following signal words and meanings are intended to explain the levels of risk associated with this product.

SYM-BOL	SIGNAL	MEANING
	DANGER	Indicates an imminently hazardous situation, which, if not avoided, will result in death or serious injury.
	WARNING	Indicates a potentially hazardous situation, which, if not avoided, could result in death or serious injury.
	CAUTION	Indicates a potentially hazardous situation, which, if not avoided, may result in minor or moderate injury.
	CAUTION	(Without Safety Alert Symbol) Indicates a situation that may result in property damage.

7 ENVIRONMENTALLY SAFE BATTERY DISPOSAL



The toxic and corrosive materials below are in the batteries used in this machine: **Lithium-Ion, a toxic material.**

▲ WARNING

Discard all toxic materials in a specified manner to prevent contamination of the environment. Before discarding damaged or worn out Li-ion battery, contact your local waste disposal agency, or the local Environmental Protection Agency for information and specific instructions. Take the batteries to a local recycling and/or disposal center, certified for lithium-ion disposal.

▲ WARNING

If the battery pack cracks or breaks, with or without leaks, do not recharge it and do not use. Discard it and replace with a new battery pack. **DO NOT TRY TO REPAIR IT!** To prevent injury and risk of fire, explosion, or electric shock, and to avoid damage to the environment:

- Cover the terminals of the battery with heavy-duty adhesive tape.
- **DO NOT** try to remove or destroy any of the battery pack components.
- **DO NOT** try to open the battery pack.
- If a leak develops, the released electrolytes are corrosive and toxic. **DO NOT** get the solution in the eyes or on skin, and do not swallow it.
- **DO NOT** put these batteries in your regular household trash.
- **DO NOT** incinerate.
- **DO NOT** put them where they will become part of any waste landfill or municipal solid waste stream.
- Take them to a certified recycling or disposal center.

8 INSTALLATION**8.1 UNPACK THE MACHINE****▲ WARNING**

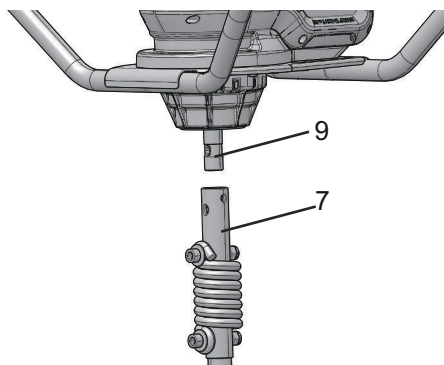
It is not necessary to assemble the machine.

- If parts are damaged, do not use the machine.
- If you do not have all the parts, do not operate the machine.
- If the parts are damaged or missing, speak to the service center.

1. Open the package.
2. Read the documentation in the box.
3. Remove the machine from the box.
4. Discard the box and packaging material in compliance with local regulations.

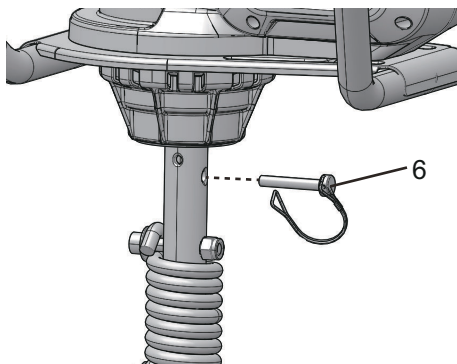
8.1.1 ATTACH THE AUGER BIT**▲ WARNING**

To prevent accidental starting that could cause serious personal injury, always remove the battery pack from the tool when assembling parts.

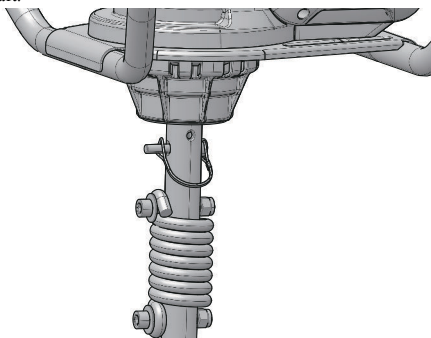


This auger shaft measures 7/8" in diameter. It will work with most universal sized bits designed for this size of shaft.

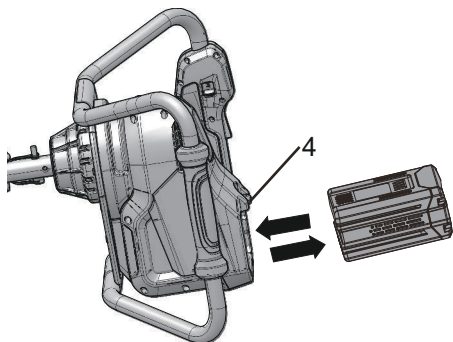
1. Make sure you are using the correct bit (7) for the material you want to drill into.
2. Align the holes in the auger shaft (9) with the holes in the bit.



3. Open the ring pin (6).
4. Insert the ring pin through the holes.
5. Close and lock the ring pin to secure the bit to the auger shaft.



8.1.2 INSTALL THE BATTERY PACK



▲ WARNING

- If the battery pack or charger is damaged, replace the battery pack or the charger.
- Stop the machine and wait until the motor stops before you install or remove the battery pack.
- Read, know, and follow the instructions in the battery and charger manual.

1. Align the lift ribs on the battery pack with the grooves in the battery compartment.
2. Push the battery pack into the battery compartment until the battery pack locks into place.
3. When you hear a click, the battery pack is installed.

8.1.3 REMOVE THE BATTERY PACK

1. Push and hold the battery release button.
2. Remove the battery pack from the machine.

9 OPERATION

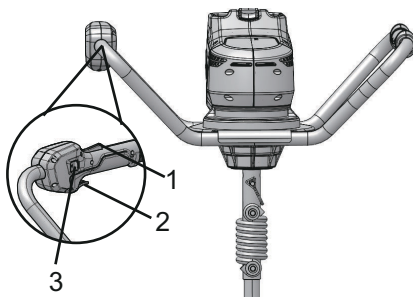
- Touch the bit carefully.
- Do not touch the bit unless you remove the battery pack.
- Do not use the machine if the bit is damaged or bent.
- Remove all objects such as cords, lights, wire, or string which can become entangled in the bit and create a risk of personal injury.

▲ WARNING

If the bit jams on an electrical cord or line, DO NOT TOUCH THE BIT! IT CAN BE LIVE AND DANGEROUS. Do the steps below:

1. Hold the insulated rear handle or put the machine down and away from you.
2. Disconnect the electrically service to the damaged line or cord before you try to free the bit.

9.1 START THE MACHINE



This machine has three lights along the bottom of the power head around the shaft. When the trigger is pressed, the lights turn on. If you release the trigger fully, the lights will turn off after 30 seconds.

1. Press the safety lock-out switch (2).
2. Squeeze the trigger (1) to start the machine.

▲ WARNING

Keep the machine clear of water.

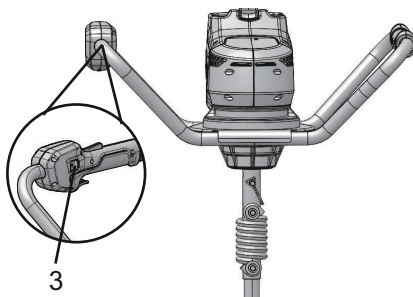
▲ DANGER

Do not touch the cap of the gear box after operating the machine, the high temperature may cause the injury.

9.2 STOP THE MACHINE

1. Release the trigger to stop the machine.

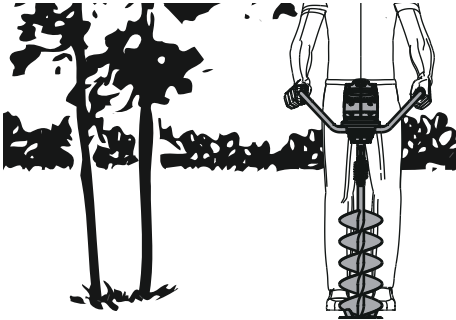
9.3 OPERATION TIPS



Before drilling a hole, always look to see what position the forward/reverse switch is in.

- Push the forward/reverse switch (3) to "F" for forward. The machine will rotate clockwise and drill down into the ground. Shift your body weight above the bit to help it drill.

- Push the forward/reverse switch (3) to "R" for reverse. The machine will rotate counterclockwise and attempt to rotate out of the ground. Pull up on the handles when drilling into the ground, this will allow the bit to go into the ground and out of the ground easier. The reverse function can also be used to help the bit unwind from a root or other obstruction.
- When drilling a deeper hole, clear dirt/ material from the auger bit occasionally by pulling the unit up 4 inches after drilling down every 6 inches. This will make the auger easier to remove once the hole has been completely drilled.
- In thick clay or rocky soils the hole may need to be drilled more slowly and the earth removed more often.
- If using in very cold conditions, the battery may need to be warmed up for the auger to work. This can be done by placing the battery in a warmer area (indoors, in a coat pocket, etc.) for a couple of minutes.



▲ WARNING

Hold the machine firmly with two hands at the same time and do not loosen your grip before the machine stops. Operate the machine in pairs if necessary.

10 MAINTENANCE

▲ CAUTION

Do not let brake fluids, gasoline, petroleum-based materials touch the plastic parts. Chemicals can cause damage to the plastic, and make the plastic unserviceable.

▲ CAUTION

Do not use strong solvents or detergents on the plastic housing or components.

▲ WARNING

Remove the battery pack from the machine before maintenance.

10.1 CLEAN THE MACHINE

▲ WARNING

Keep the machine and the motor free of leaves, branches or excessive oil to prevent fire risks.

- Use a moist cloth with a mild detergent to clean the machine.
- Clean all moisture with a soft dry cloth.
- Use a small brush to clean the air vents.

11 STORE THE MACHINE

i NOTE

Clean the machine before storage.

1. Remove the battery pack.
2. Let the motor cool.
3. Check that there are no loose or damaged components. If it is necessary, replace the damaged components, tighten screws and bolts, or speak to a person of an approved service center.
4. Store the machine in a cool and dry location.

12 TROUBLESHOOTING

Problem	Possible cause	Solution
The motor does not start when you pull the trigger.	The battery pack is not installed tightly.	Make sure that you tightly install the battery pack in the machine.
	The battery pack is out of power.	Charge the battery pack.
The machine smokes during operation.	The machine has damage.	<ol style="list-style-type: none"> 1. Immediately stop the machine. 2. Remove the battery pack. 3. Contact the service center.
The motor is on, the bit do not move.	The machine has damage.	Do not use the machine and contact the service center.
	The bit are blocked.	Remove battery pack then clear blockage from the bit.

Problem	Possible cause	Solution
There is too much noise and/or vibration during operation.	The parts are loose.	<ol style="list-style-type: none"> 1. Stop the machine. 2. Remove the battery. 3. Inspect for damage. 4. Check and tighten loose parts.
	The parts have damage.	Do not use the machine and contact the service center.

2. The unit, if it has not been operated and/or maintained in accordance with the owner's manual; or
3. Normal wear;
4. Routine maintenance items such as lubricants, blade sharpening;
5. Normal deterioration of the exterior finish due to use or exposure.

HELPLINE:

Warranty service is available by calling our toll-free helpline, at 1-833-493-5483.

TRANSPORTATION CHARGES:

Transportation charges for the movement of any power equipment unit or attachment are the responsibility of the purchaser. It is the purchaser's responsibility to pay transportation charges for any part submitted for replacement under this warranty unless such return is requested in writing by Greenworks.

USA address:

Greenworks Tools
P.O. Box 1238

Mooresville, NC 28115

Canadian address:

Greenworks Tools Canada Inc.
P.O. Box 93095, Newmarket,
Ontario

L3Y 8K3

13 TECHNICAL DATA

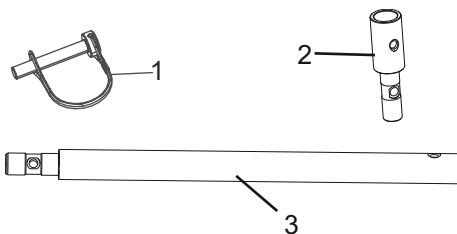
Voltage	80 V
No load speed	Forward: 210 min ⁻¹
	Reverse: 50 min ⁻¹
Weight (without battery pack)	18.63 lbs (8.45 kg)
Battery model	2902402 and other BAB series
Charger model	2901402, CAB801 and other CAB series

14 LIMITED WARRANTY

Greenworks hereby warrants this product, to the original purchaser with proof of purchase, for a period of four (4) years against defects in materials, parts or workmanship. Greenworks, at its own discretion will repair or replace any and all parts found to be defective, through normal use, free of charge to the customer. This warranty is valid only for units which have been used for personal use that have not been hired or rented for industrial/commercial use, and that have been maintained in accordance with the instructions in the owners' manual supplied with the product from new.

ITEMS NOT COVERED BY WARRANTY:

1. Any part that has become inoperative due to misuse, commercial use, abuse, neglect, accident, improper maintenance, or alteration; or

15 EXPLODED VIEW

No.	Part No.	Description	Qty
1	R0202466-00	Ring pin	3
2	R0202728-00	Adaptor	1
3	R0202729-00	Extender	1

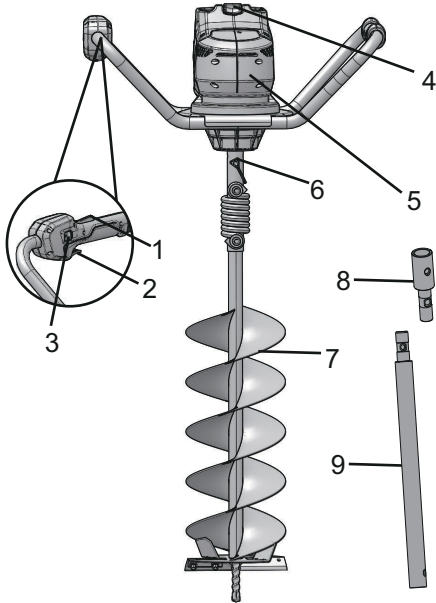
<p>1 Description..... 12</p> <p>1.1 But..... 12</p> <p>1.2 Aperçu..... 12</p> <p>2 Avertissements généraux de sécurité des outils électriques..... 12</p> <p>2.1 Sécurité de la zone de travail..... 12</p> <p>2.2 Sécurité électrique..... 12</p> <p>2.3 Sécurités des personnes..... 12</p> <p>2.4 Utilisation et entretien des outils électriques... 13</p> <p>2.5 Utilisation et entretien de l'outil à batterie..... 13</p> <p>2.6 Service..... 14</p> <p>3 Proposition 65..... 14</p> <p>4 Sécurité des enfants..... 14</p> <p>5 Symboles figurant sur la machine. 14</p> <p>6 Niveaux de risques.....14</p> <p>7 Élimination des batteries sans danger pour l'environnement.....15</p>	<p>8 Installation..... 15</p> <p>8.1 Déballez la machine..... 15</p> <p>9 Utilisation..... 16</p> <p>9.1 Démarrer la machine..... 17</p> <p>9.2 Arrêter la machine..... 17</p> <p>9.3 Conseils sur l'utilisation..... 17</p> <p>10 Entretien.....18</p> <p>10.1 Nettoyez la machine..... 18</p> <p>11 Entreposez la machine..... 18</p> <p>12 Dépannage.....18</p> <p>13 Données techniques..... 18</p> <p>14 Garantie limitée..... 19</p> <p>15 Vue éclatée.....19</p>
------------------------------------------------------------------------------------------------------------------------------------------------------------------------------------------------------------------------------------------------------------------------------------------------------------------------------------------------------------------------------------------------------------------------------------------------------------------------------------------------------------------------------------------------------------------------------------------------------------------------------------------------------------------------------------------------------------------------------------------------	---------------------------------------------------------------------------------------------------------------------------------------------------------------------------------------------------------------------------------------------------------------------------------------------------------------------------------------------------------------------------------------------------------------------------------------------------------------------------------------------------------------------------------

1 DESCRIPTION

1.1 BUT

Cette machine est destinée à forer dans la terre et le sol pour créer des trous dans le sol.

1.2 APERÇU



- | | |
|--------------------------------------|---------------------------------|
| 1 Gâchette | 6 Goupille annulaire |
| 2 Bouton de verrouillage de sécurité | 7 Foret (vendu séparément) |
| 3 Interrupteur avant/arrière | 8 Adaptateur (vendu séparément) |
| 4 Bouton d'éjection de la batterie | 9 Rallonge (vendue séparément) |
| 5 Tête mécanique | |

2 AVERTISSEMENTS GÉNÉRAUX DE SÉCURITÉ DES OUTILS ÉLECTRIQUES

▲ AVERTISSEMENT

Lisez tous les avertissements de sécurité, toutes les instructions, illustrations et toutes spécifications fournis avec cet outil électrique. *Le non-respect de ces instructions peut entraîner un choc électrique, un incendie et/ou des blessures graves.*

Conservez tous les avertissements et instructions pour référence ultérieure.

Le terme « outil électrique » dans les avertissements fait référence à votre outil électrique (sans fil) fonctionnant sur batterie.

2.1 SÉCURITÉ DE LA ZONE DE TRAVAIL

- **Gardez la zone de travail propre et bien éclairée.** *Les endroits encombrés ou sombres favorisent les accidents.*
- **N'utilisez pas les outils électriques dans des environnements explosifs, par exemple en présence de liquides, gaz ou poussières inflammables.** *La mise en marche des outils électriques crée des étincelles qui peuvent enflammer la poussière ou les vapeurs.*
- **Tenez les enfants et les curieux à l'écart lorsque vous utilisez un outil électrique.** *Les distractions peuvent vous faire perdre le contrôle.*

2.2 SÉCURITÉ ÉLECTRIQUE

- **Les prises de l'outil électrique doivent être compatibles avec la prise de courant. Ne modifiez jamais la prise d'aucune façon. N'utilisez pas d'adaptateur de prise avec des outils à prise de terre.** *Des prises non modifiées et leurs prises de courant respectives réduisent les risques de choc électrique.*
- **Évitez que le corps n'entre en contact avec des surfaces mises à la terre comme les tuyaux, les radiateurs, les cuisinières et les réfrigérateurs.** *Il y a un risque accru de choc électrique si votre corps est en contact avec la terre.*
- **N'exposez pas les outils électriques à des conditions humides ou mouillées.** *L'eau qui pénètre dans un outil électrique augmente le risque de choc électrique.*
- **N'abusez pas du cordon. N'utilisez jamais le câble pour porter, tirer ou débrancher l'outil. Éloignez le cordon de la chaleur, de l'huile, des bords tranchants ou des pièces mobiles.** *Les cordons endommagés augmentent le risque d'un choc électrique.*
- **Lorsque vous utilisez un outil électrique en extérieur, utilisez une rallonge de câble adaptée à l'usage en extérieur.** *Utiliser un câble adapté à un usage en extérieur réduit le risque de choc électrique.*
- **Si vous ne pouvez éviter d'utiliser l'outil dans un environnement humide, utilisez une alimentation protégée à courant différentiel.** *Le respect de cette règle réduira le risque de chocs électriques.*

2.3 SÉCURITÉS DES PERSONNES

- **Restez vigilant, soyez attentif à ce que vous faites et faites preuve de bon sens lorsque vous utilisez un outil électrique. N'utilisez pas l'appareil lorsque vous êtes fatigué, sous l'emprise de l'alcool ou de drogues ou après avoir pris des médicaments.** *Un moment d'inattention lors de l'utilisation d'un outil électrique peut provoquer des blessures corporelles graves.*
- **Utilisez de l'équipement de protection individuelle. Portez toujours des lunettes de protection.** *L'utilisation*

d'équipement de protection adapté aux conditions de travail (masque anti-poussières, chaussures de sécurité antidérapantes, casque et protections auditives etc.) permet de réduire les risques de blessures corporelles.

- **Évitez tout démarrage accidentel. Assurez-vous que l'interrupteur est en position d'arrêt avant de brancher à la source d'alimentation et/ou la batterie et quand vous soulevez ou transportez l'appareil.** Transporter un outil électrique avec un doigt sur l'interrupteur ou le brancher sur une alimentation électrique alors que son interrupteur est en position marche favorise les accidents.
- **Retirez les clefs de réglage et de serrage avant de mettre l'outil en marche.** Une clef de réglage ou de serrage restée sur une pièce en rotation de l'outil électrique peut entraîner des blessures corporelles.
- **Ne vous penchez pas trop en avant. Gardez un bon équilibre en tout temps.** Ceci permet un meilleur contrôle de l'outil électrique dans des situations inattendues.
- **Habilitez-vous correctement. Ne portez pas de vêtements amples ou de bijoux. Veillez à ne pas approcher vos cheveux, vos vêtements et vos gants des pièces en mouvement.** Les vêtements amples, les bijoux et les cheveux longs peuvent se prendre dans les pièces en mouvement.
- **Si un appareil est conçu pour être utilisé avec des dispositifs d'extraction et de récupération des poussières, veillez à ce que ces dispositifs soient bien raccordés et correctement utilisés.** L'utilisation de dispositifs de récupération des poussières permet de réduire les risques liés aux poussières.
- **Ne laissez pas l'habitude des fréquentes utilisations vous faire oublier et ignorer les principes de sécurité.** Une action négligente peut provoquer de graves blessures en une fraction de seconde.

2.4 UTILISATION ET ENTRETIEN DES OUTILS ÉLECTRIQUES

- **Ne forcez pas l'outil électrique. Utilisez l'outil électrique adapté à votre application.** L'outil électrique approprié fera mieux le travail et sera plus sécuritaire au rythme pour lequel il a été conçu.
- **N'utilisez pas l'outil électrique si l'interrupteur ne le met pas en marche ou à l'arrêt.** Tout outil électrique qui ne peut pas être contrôlé avec l'interrupteur est dangereux et doit être réparé.
- **Débranchez la prise de la source d'alimentation et/ou retirez la batterie avant d'effectuer des réglages, de changer des accessoires ou de ranger l'outil électrique.** De telles mesures de sécurité préventives réduisent le risque d'un démarrage accidentel de l'outil électrique.
- **Rangez les outils électriques inutilisés hors de portée des enfants et ne laissez pas des personnes qui ne se sont pas familiarisées avec l'outil électrique ou ces instructions l'utiliser.** Les outils électriques sont dangereux entre les mains des utilisateurs non formés.

- **Entretenez les outils électriques et les accessoires. Vérifier qu'aucune pièce mobile n'est mal alignée, grippée ou brisée et soyez attentif à toute autre condition qui pourrait affecter le fonctionnement de l'outil électrique.** Si il est endommagé, faites réparer l'outil électrique avant de l'utiliser. De nombreux accidents sont causés par des outils électriques mal entretenus.
- **Garder les outils de coupe propres et tranchants.** Les outils de coupe bien entretenus avec des bords tranchants sont moins susceptibles de se coincer et sont plus faciles à contrôler.
- **Utilisez l'outil électrique, les accessoires, les mèches, etc. conformément à ces instructions, en tenant compte des conditions de travail et des travaux à effectuer.** L'utilisation de l'outil motorisé pour des opérations différentes de celles prévues pourrait entraîner une situation dangereuse.
- **Veillez à ce que les poignées restent propres, sèches et exemptes d'huile et de graisse.** Les poignées et surfaces de prise glissantes ne permettent pas de manipuler et de contrôler l'outil dans des situations inattendues.

2.5 UTILISATION ET ENTRETIEN DE L'OUTIL À BATTERIE

- **Rechargez uniquement avec le chargeur spécifié par le fabricant.** Un chargeur adapté à un type de bloc-batterie peut créer un risque d'incendie lorsqu'il est utilisé avec un autre bloc-batterie.
- **Utilisez les outils électriques uniquement avec des batteries spécialement conçues à cet effet.** L'utilisation de tous autres bloc-batteries peut créer un risque de blessure et d'incendie.
- **Lorsque la batterie n'est pas utilisée, éloignez-la des autres objets métalliques tels qu'attaches trombones, pièces de monnaie, clés, clous, vis ou autres petits objets métalliques qui peuvent établir une connexion d'une borne à une autre.** Le court-circuitage des bornes de la batterie peut provoquer des brûlures ou un incendie.
- **Dans des conditions abusives, du liquide peut être éjecté de la batterie. Évitez tout contact.** En cas de contact accidentel, rincez avec de l'eau. En cas de contact avec les yeux, consultez également un médecin. Le liquide s'échappant de la batterie peut causer des irritations ou des brûlures.
- **N'utilisez pas un bloc-batterie ou un outil endommagé ou modifié.** Les batteries endommagées ou modifiées peuvent présenter un fonctionnement imprévisible et provoquer un incendie, une explosion ou un risque de blessure.
- **N'exposez pas un bloc-batterie ou un outil au feu ou à une température excessive.** L'exposition au feu ou une température supérieure à 130°C peut provoquer une explosion.
- **Suivez toutes les instructions de recharge et ne rechargez pas la batterie ou l'outil en dehors de la plage de température spécifiée dans ces instructions.** Un rechargement incorrect ou à des températures en

dehors de la plage spécifiée peut endommager la batterie et augmenter le risque d'incendie.

2.6 SERVICE

- **Faites effectuer l'entretien de votre outil électrique par un réparateur qualifié en n'utilisant que des pièces de rechange identiques.** *Cela garantira le maintien de la sécurité de l'outil électrique.*
- **Ne réparez jamais un bloc-batterie endommagé.** *L'entretien d'un bloc-batterie ne doit être effectué que par le fabricant ou des fournisseurs de service agréés.*

3 PROPOSITION 65

▲ AVERTISSEMENT

Ce produit contient un produit chimique connu dans l'état de Californie comme étant une cause de cancer, de malformations congénitales ou d'autres problèmes de reproduction. Certaines poussières produites par le ponçage mécanique, le sciage, le meulage, le perçage et d'autres activités de construction contiennent des produits chimiques connus pour causer le cancer, des malformations congénitales ou d'autres problèmes de reproduction. Voici quelques exemples de ces produits chimiques :

- Plomb provenant de peintures à base de plomb;
- Silice cristalline provenant de briques, de ciment et d'autres produits de maçonnerie;
- Arsenic et chrome provenant de bois traité chimiquement.

Votre risque d'exposition à ces produits chimiques varie selon la fréquence à laquelle vous faites ce type de travail. Pour réduire votre exposition à ces produits chimiques, travaillez dans un endroit bien ventilé et utilisez un équipement de sécurité approuvé, comme des masques anti-poussière spécialement conçus pour filtrer les particules microscopiques.

Conservez ces instructions.












4 SÉCURITÉ DES ENFANTS

Des accidents tragiques peuvent se produire si l'opérateur n'est pas au courant de la présence des enfants.

- Éloignez les enfants de la zone de travail et placez-les sous la surveillance d'un adulte responsable.
- Ne laissez pas un enfant de moins de 14 ans utiliser cette machine. Les enfants de 14 ans et plus doivent lire et comprendre les instructions d'utilisation et les règles de sécurité contenues dans ce manuel et doivent être formés et supervisés par un parent.
- Restez vigilant et éteignez la machine si un enfant ou une autre personne entre dans la zone de travail.
- Soyez extrêmement prudent lorsque vous vous approchez d'un angle mort, d'une porte, d'un arbuste, d'un arbre ou de tout autre objet qui pourrait masquer la vue d'un enfant qui pourrait se heurter à la machine.




5 SYMBOLES FIGURANT SUR LA MACHINE

Certains des symboles suivants peuvent être utilisés sur cet outil. Veuillez les étudier et apprendre leur signification. Une bonne interprétation de ces symboles vous permettra de mieux utiliser l'outil et de manière plus sécuritaire.

Symbole	Explication
V	Voltage
A	Courant
W	Puissance
min	Heure
min ⁻¹	Tours, coups, vitesse périphérique, orbites, etc., par minute
	Courant direct
	Lisez et comprenez toutes les instructions avant d'utiliser cette machine, et suivez tous les avertissements et les consignes de sécurité.
	Précautions destinées à assurer la sécurité.
	Portez toujours des lunettes de protection avec des protections latérales marquées conformément à la norme ANSI Z87.1 lorsque vous utilisez cet équipement.
	Ne pas exposer la machine à la pluie ou à l'humidité.
	Tenez tous les passants à une distance d'au moins 15 m (50 pi).
	Si vous n'empêchez pas l'introduction des vêtements amples dans la prise d'air, vous risquez de vous blesser.
	Si vous ne gardez pas les cheveux longs loin de l'entrée d'air, vous risquez de vous blesser.
	Les lames rotatives de la turbine peuvent causer des blessures graves.
	Portez des gants antidérapants et résistants.
	Portez un casque anti-bruit.

6 NIVEAUX DE RISQUES

Les termes de mise en garde suivants et leur signification ont pour but d'expliquer les niveaux de risques associés à l'utilisation de ce produit.

SYM-BOLE	SIGNAL	SIGNIFICATION
	DANGER	Indique une situation dangereuse imminente qui, si elle n'est pas évitée, peut entraîner la mort ou des blessures graves.
	AVERTISSEMENT	Indique une situation potentiellement dangereuse qui, si elle n'est pas évitée, peut entraîner la mort ou des blessures graves.
	MISE EN GARDE	Indique une situation potentiellement dangereuse qui, si elle n'est pas évitée, pourrait causer des blessures mineures ou modérées.
	MISE EN GARDE	(Sans symbole d'alerte de sécurité) indique une situation pouvant entraîner des dommages matériels.

7 ÉLIMINATION DES BATTERIES SANS DANGER POUR L'ENVIRONNEMENT



Les matières toxiques et corrosives ci-dessous se trouvent dans les batteries utilisées dans cette machine : **Lithium-ion, une substance toxique.**

▲ AVERTISSEMENT

Éliminez toutes les substances toxiques d'une manière spécifiée afin de prévenir la contamination de l'environnement. Avant de jeter une batterie au lithium-ion endommagée ou usée, contactez votre agence locale d'élimination des déchets ou l'agence locale de protection de l'environnement pour obtenir des informations et des instructions spécifiques. Apportez les batteries à un centre local de recyclage ou d'élimination certifié pour l'élimination de batteries au lithium-ion.

▲ AVERTISSEMENT

Si la batterie se fend ou se brise, avec ou sans fuites, ne la rechargez pas et ne l'utilisez pas. Jetez-la et remplacez-la par une nouvelle batterie. **N'ESSAYEZ PAS DE LA RÉPARER !** Pour prévenir les blessures et les risques d'incendie, d'explosion ou de décharge électrique, et pour éviter tout dommage à l'environnement :

- Couvrez les bornes de la batterie avec du ruban adhésif résistant.
- **NE PAS** essayer d'enlever ou de détruire les composants de la batterie.
- **NE PAS** essayer d'ouvrir ou de réparer la batterie.
- En cas de fuite, les électrolytes rejetés sont corrosifs et toxiques. **NE laissez PAS** entrer la solution dans les yeux ou en contact avec la peau et ne l'avalez pas.
- **NE PAS** jeter vos batteries usagées dans votre poubelle à ordures ménagères.
- N'incinerez **PAS** les batteries.
- **NE LES Mettez PAS** dans un endroit où ils feront partie d'un site d'enfouissement de déchets ou d'un flux de déchets solides municipaux.
- Emmenez-les dans un centre de recyclage ou d'élimination certifié.

8 INSTALLATION

8.1 DÉBALLER LA MACHINE

▲ AVERTISSEMENT

Il n'est pas nécessaire d'assembler la machine.

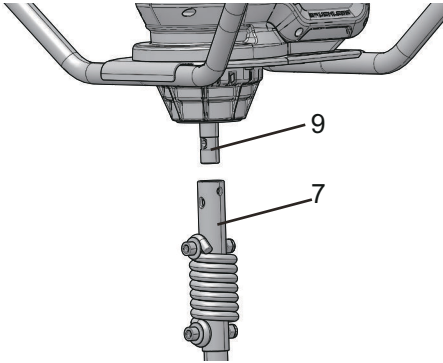
- Si des pièces sont endommagées, n'utilisez pas la machine.
- Si vous n'avez pas toutes les pièces, n'utilisez pas la machine.
- Si les pièces sont endommagées ou manquantes, communiquez avec le centre de service.

1. Ouvrez l'emballage.
2. Lisez la documentation contenue dans la boîte.
3. Retirez la machine de sa boîte.
4. Jetez la boîte et l'emballage conformément aux règlements locaux.

8.1.1 ATTACHEZ L'ACCESSOIRE DE TARIÈRE

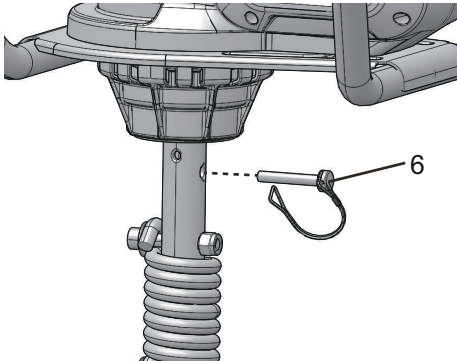
▲ AVERTISSEMENT

Pour éviter tout démarrage accidentel susceptible de provoquer des blessures graves, retirez toujours le bloc-batterie de l'outil lors de l'assemblage des pièces.

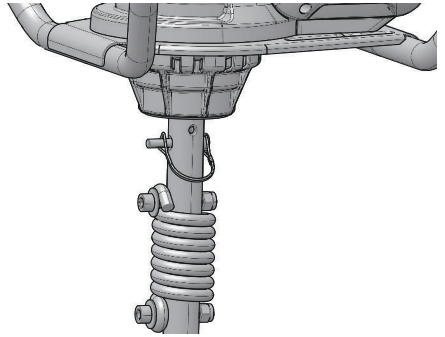


L'arbre de cette tarière est d'un diamètre de 7/8 po. Il fonctionne avec la plupart des forets de taille universelle conçus pour cette taille d'arbre.

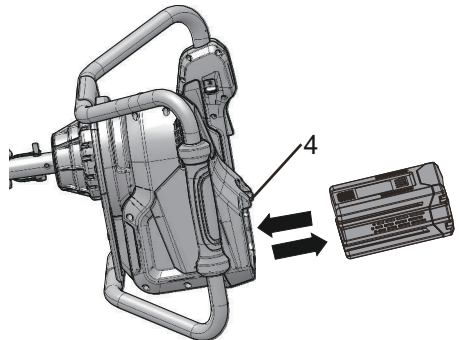
1. Assurez-vous que vous utilisez le bon foret (7) pour le matériau que vous voulez forer.
2. Alignez les trous de l'arbre de la tarière (9) avec les trous du foret.



3. Ouvrez la goupille annulaire (6).
4. Insérez la goupille annulaire dans les trous.
5. Fermez et verrouillez la goupille annulaire pour fixer le foret à l'arbre de la tarière.



8.1.2 INSTALLER LE BLOC-BATTERIE



▲ AVERTISSEMENT

- Si le bloc-batterie ou le chargeur est endommagé, remplacez-le, au besoin.
- Arrêtez la machine et attendez que le moteur s'arrête avant d'installer ou de retirer le bloc-batterie.
- Lisez, comprenez et suivez les instructions du manuel du bloc-batterie et du chargeur.

1. Alignez les languettes du bloc-batterie avec les rainures du compartiment de batterie.
2. Poussez le bloc-batterie dans le compartiment de batterie jusqu'à ce qu'il soit bien encliqueté.
3. Vous devriez entendre un clic lorsque le bloc-batterie sera inséré correctement.

8.1.3 RETIREZ LE BLOC-BATTERIE

1. Poussez et maintenez enfoncé le bouton de déblocage de la batterie.
2. Retirez le bloc-batterie de la machine.

9 UTILISATION

- Faites preuve de précaution si vous devez toucher le foret.
- Ne touchez pas le foret sauf pour enlever la batterie.

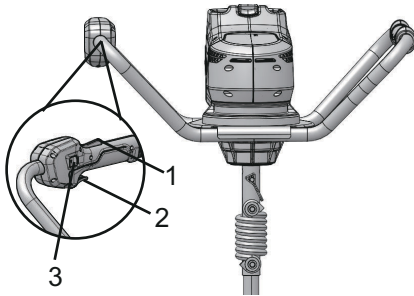
- N'utilisez pas la machine si le foret est endommagé ou plié.
- Retirez tous les objets tels que cordons, lumières, fils ou ficelles qui peuvent s'emmêler dans le foret et créer un risque de blessures corporelles.

▲ AVERTISSEMENT

Si le foret se bloque sur un cordon ou une ligne électrique, **NE TOUCHEZ PAS LE FORET ! ELLE PEUT SOUS TENSION VIVANTE ET DANGEREUSE.** Procédez comme suit :

1. Tenez la poignée arrière isolée ou posez la machine à terre et éloignez de vous d'elle.
2. Débranchez l'alimentation électrique de la ligne ou du cordon endommagé avant d'essayer de libérer le foret.

9.1 DÉMARRER LA MACHINE



Cette machine est équipée de trois voyants lumineux situés au bas de la tête motrice autour de l'arbre. Lorsque vous appuyez sur la gâchette, les voyants s'allument. Si vous relâchez complètement la gâchette, les voyants s'éteignent après 30 secondes.

1. Appuyez sur l'interrupteur de verrouillage de sécurité (2).
2. Appuyez sur la gâchette (1) pour démarrer la machine.

▲ AVERTISSEMENT

Gardez la machine hors de l'eau.

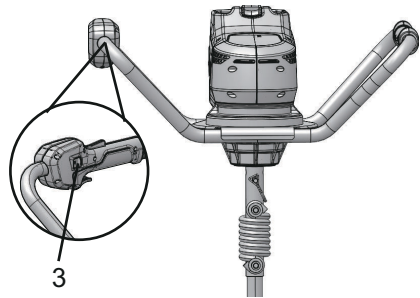
▲ DANGER

Ne touchez pas le bouchon de la boîte de vitesses après avoir fait fonctionner la machine; la température élevée peut provoquer des blessures.

9.2 ARRÊTER LA MACHINE

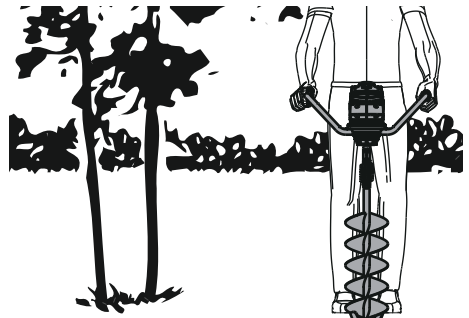
1. Lâchez la gâchette pour arrêter la machine.

9.3 CONSEILS SUR L'UTILISATION



Avant de percer un trou, vérifiez toujours dans quelle position se trouve l'interrupteur avant/arrière.

- Poussez l'interrupteur avant/arrière (3) en position « F » pour passer en marche avant. La machine tournera dans le sens des aiguilles d'une montre et forera dans le sol. Déplacez le poids de votre corps au-dessus du foret pour l'aider à forer.
- Poussez l'interrupteur avant/arrière (3) en position « R » pour passer en marche arrière. La machine tournera dans le sens inverse des aiguilles d'une montre et tentera de sortir du sol. Tirez sur les poignées lorsque vous forez dans le sol pour permettre à la mèche d'entrer et de sortir du sol plus facilement. La fonction de marche arrière peut également être utilisée pour aider le foret à se détacher d'une racine ou d'un autre obstacle.
- Lors du forage d'un trou plus profond, enlevez de temps en temps la saleté/les matériaux de la tarière en tirant l'unité vers le haut de 4 pouces après avoir foré vers le bas tous les 6 pouces. Cela facilitera le retrait de la tarière une fois le trou complètement foré.
- Dans les sols argileux ou rocheux épais, il peut être nécessaire de forer le trou plus lentement et de retirer la terre plus souvent.
- En cas d'utilisation par grand froid, il peut être nécessaire de réchauffer la batterie pour que la tarière fonctionne. Pour ce faire, placez la batterie dans un endroit plus chaud (à l'intérieur, dans la poche d'un manteau, etc.) pendant quelques minutes.



▲ AVERTISSEMENT

Tenez fermement la machine avec les deux mains en même temps et ne relâchez pas votre prise avant que la machine ne s'arrête. Faites fonctionner l'appareil à deux si nécessaire.

10 ENTRETIEN

▲ ATTENTION

Évitez que les liquides de freins, l'essence et les matériaux à base de pétrole ne viennent en contact avec les pièces en plastique. Les produits chimiques peuvent endommager le plastique et le rendre inutilisable.

▲ ATTENTION

N'utilisez pas de solvants ou de détergents puissants sur le boîtier ou les composants en plastique.

▲ AVERTISSEMENT

Retirez la batterie de la machine avant l'entretien.

10.1 NETTOYEZ LA MACHINE

▲ AVERTISSEMENT

Veillez à ce que la machine et le moteur soient exempts de feuilles, de branches ou d'huile excessive afin d'éviter tout risque d'incendie.

- Utilisez un chiffon humide et un détergent doux pour nettoyer la machine.
- Nettoyez toute l'humidité avec un chiffon doux et sec.
- Utilisez une petite brosse pour nettoyer les événements d'aération.

11 ENTREPOSEZ LA MACHINE

i REMARQUE

Nettoyez la machine avant de le stockage.

1. Retirez le bloc-batterie.
2. Laissez refroidir le moteur.
3. Vérifiez qu'il n'y a pas de pièces desserrées ou endommagées. Si nécessaire, remplacez les composants endommagés, serrez les vis et les boulons ou adressez-vous à une personne d'un centre de service agréé.
4. Entreposez la machine dans un endroit frais et sec.

12 DÉPANNAGE

Problème	Cause possible	Solution
Le moteur ne démarre pas lorsque vous appuyez sur la gâchette.	La batterie n'est pas correctement installée.	Assurez-vous que la batterie est correctement installée dans la machine.
	Le bloc-batterie est déchargé.	Rechargez le bloc-batterie.
La machine dégage de la fumée pendant le fonctionnement.	La machine est endommagée.	<ol style="list-style-type: none"> 1. Arrêtez la machine immédiatement. 2. Retirez le bloc-batterie. 3. Communiquez avec le centre de service.
Le moteur marche, mais le foret ne bouge pas.	La machine est endommagée.	N'utilisez pas la machine et communiquez avec le centre de service.
	Le foret est bloqué.	Retirez le bloc-batterie puis dégagez le foret de tout blocage.
Il y a trop de bruit et/ou de vibrations pendant le fonctionnement.	Les pièces sont desserrées.	<ol style="list-style-type: none"> 1. Arrêtez la machine. 2. Retirez la batterie. 3. Vérifiez qu'elle n'est pas endommagée. 4. Vérifiez et serrez les pièces desserrées.
	Les pièces sont endommagées.	N'utilisez pas la machine et communiquez avec le centre de service.

13 DONNÉES TECHNIQUES

Voltage	80 V
Vitesse à vide	Marche avant : 210 min ⁻¹
	Marche arrière : 50 min ⁻¹
Poids (sans le bloc-batterie)	18.63 lbs (8.45 kg)
Batterie modèle	2902402 et autres séries BAB
Chargeur modèle	2901402, CAB801 et autres séries CAB

14 GARANTIE LIMITÉE



Greenworks garantit par la présente ce produit, à l'acheteur original avec preuve d'achat, pour une période de quatre (4) ans contre tout défaut de matériaux, de pièces ou de main-d'œuvre. Greenworks, à sa propre discrétion, réparera ou remplacera toutes les pièces défectueuses, dans des conditions normales d'utilisation, sans frais pour le client. Cette garantie n'est valable que pour les appareils qui ont été utilisés à des fins personnelles, qui n'ont pas été loués à des fins industrielles ou commerciales et qui ont été entretenus conformément aux instructions du manuel du propriétaire fourni avec le produit neuf.

ARTICLES NON COUVERTS PAR LA GARANTIE :

1. Toute pièce qui est devenue inopérante en raison d'une mauvaise utilisation, d'une utilisation commerciale, d'un abus, d'une négligence, d'un accident, d'un entretien inapproprié ou d'une modification; ou
2. L'appareil, s'il n'a pas été utilisé et/ou entretenu conformément au manuel du propriétaire; ou
3. Usure normale;
4. Articles d'entretien courant tels que lubrifiants, affûtage des lames;
5. Détérioration normale du fini extérieur due à l'utilisation ou à l'exposition.

ASSISTANCE TÉLÉPHONIQUE :

Le service de garantie est disponible en appelant notre ligne d'assistance téléphonique sans frais, au 1-833-493-5483.

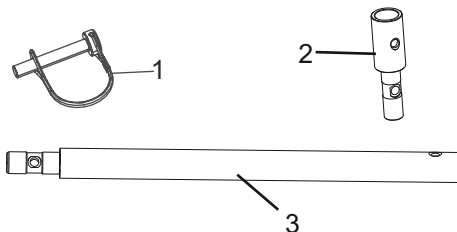
FRAIS DE TRANSPORT :

Les frais de transport pour le déplacement de tout équipement motorisé ou accessoire sont à la charge de l'acheteur. Il incombe à l'acheteur de payer les frais de transport pour toute pièce retournée pour remplacement en vertu de la présente garantie, à moins qu'un tel retour soit demandé par écrit par Greenworks.

Adresse aux États-Unis : Adresse au Canada :

Greenworks Tools	Greenworks Tools Canada Inc.
P.O. Box 1238	P.O. Box 93095, Newmarket, Ontario
Mooresville, NC 28115	L3Y 8K3

15 VUE ÉCLATÉE



No	No de pièce	Description	Qté
1	R0202466-00	Goupille annulaire	3
2	R0202728-00	Adaptateur	1
3	R0202729-00	Rallonge	1

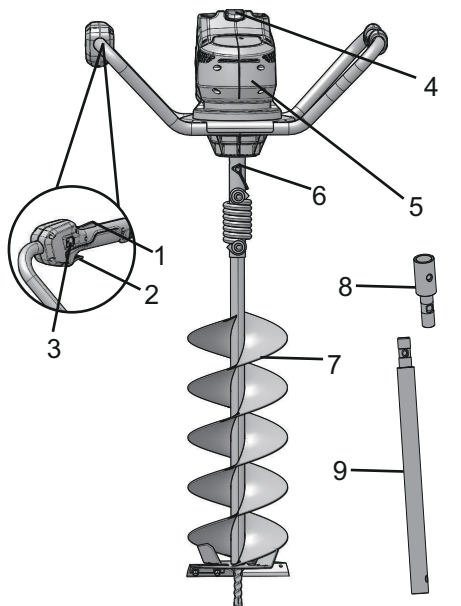
1	Descripción.....	21	6	Niveles de riesgo.....	24
1.1	Finalidad.....	21	7	Eliminación de batería segura para el medio ambiente.....	24
1.2	Perspectiva general.....	21	8	Instalación.....	24
2	Advertencias generales de seguridad para herramientas eléctricas.....	21	8.1	Desembalaje de la máquina.....	24
2.1	Seguridad de la zona de trabajo.....	21	9	Funcionamiento.....	25
2.2	Seguridad eléctrica.....	21	9.1	Puesta en marcha de la máquina.....	26
2.3	Seguridad personal.....	21	9.2	Detención de la máquina.....	26
2.4	Utilización y cuidado de herramientas eléctricas.....	22	9.3	Consejos de funcionamiento.....	26
2.5	Utilización y cuidado de herramientas a batería.....	22	10	Mantenimiento.....	27
2.6	Servicio.....	23	10.1	Limpieza de la máquina.....	27
3	Propuesta 65.....	23	11	Almacenamiento de la máquina.....	27
4	Seguridad infantil.....	23	12	Solución de problemas.....	27
5	Símbolos en el producto.....	23	13	Datos técnicos.....	27
			14	Garantía limitada.....	28
			15	Vista despiezada.....	28

1 DESCRIPCIÓN

1.1 FINALIDAD

Esta máquina sirve para perforar la tierra y el suelo para hacer hoyos en el terreno.

1.2 PERSPECTIVA GENERAL



- | | |
|-------------------------------------|-------------------------------------|
| 1 Gatillo | 6 Pasador de anillo |
| 2 Botón de bloqueo de seguridad | 7 Broca (se vende por separado) |
| 3 Interruptor de avance/retrceso | 8 Adaptador (se vende por separado) |
| 4 Botón de desbloqueo de la batería | 9 Extensor (se vende por separado) |
| 5 Cabezal de accionamiento | |

2 ADVERTENCIAS GENERALES DE SEGURIDAD PARA HERRAMIENTAS ELÉCTRICAS

▲ AVISO

Lea todas las advertencias de seguridad, instrucciones, ilustraciones y especificaciones que se proporcionan con esta herramienta eléctrica. El incumplimiento de las instrucciones indicadas a continuación puede provocar descargas eléctricas, incendios o lesiones graves.

Guarde todas las advertencias e instrucciones para su consulta posterior.

El término “herramienta eléctrica” empleado en las advertencias se refiere a su herramienta eléctrica con funcionamiento a batería (inalámbrica).

2.1 SEGURIDAD DE LA ZONA DE TRABAJO

- Mantenga limpia y bien iluminada la zona de trabajo. Las zonas desordenadas u oscuras fomentan los accidentes.
- No utilice herramientas eléctricas en atmósferas explosivas, como en la presencia de líquidos, gases o polvo que puedan inflamarse. Las herramientas eléctricas generan chispas que pueden encender el polvo o los gases.
- Mantenga alejados a los niños y los transeúntes mientras utilice una herramienta eléctrica. Las distracciones pueden hacer que pierda el control.

2.2 SEGURIDAD ELÉCTRICA

- Los enchufes de las herramientas eléctricas deben corresponder con la toma de corriente. Nunca modifique el enchufe en modo alguno. No utilice enchufes adaptadores con herramientas eléctricas conectadas a tierra. La utilización de enchufes no modificados y de tomas de corriente adecuadas reducirá el riesgo de descarga eléctrica.
- Evite el contacto del cuerpo con superficies conectadas a tierra, como tuberías, radiadores, estufas y refrigeradores. Existe un riesgo aumentado de descarga eléctrica si su cuerpo está conectado a tierra.
- No exponga las herramientas eléctricas a la lluvia o a condiciones de humedad. Si penetra agua en una herramienta eléctrica, aumentará el riesgo de descarga eléctrica.
- No abuse del cable. Nunca utilice el cable para transportar, tirar o desenchufar la herramienta eléctrica. Mantenga el cable alejado del calor, el aceite, los bordes afilados o las piezas móviles. Los cables dañados o enredados aumentan el riesgo de descarga eléctrica.
- Cuando utilice una herramienta eléctrica en exteriores, use un cable alargador adecuado para uso en exterior. La utilización de un cable adecuado para uso en exterior reduce el riesgo de descarga eléctrica.
- Si no es inevitable el uso de una herramienta eléctrica en un lugar húmedo, utilice un suministro protegido por un DISPOSITIVO DE CORRIENTE RESIDUAL (RCD). La utilización de un RCD reduce el riesgo de descarga eléctrica.

2.3 SEGURIDAD PERSONAL

- Manténgase alerta, observe lo que está haciendo y emplee el sentido común cuando utilice una herramienta eléctrica. No utilice una herramienta

eléctrica mientras esté cansado o bajo la influencia de drogas, alcohol o medicamentos. *Un momento de inatención durante el uso de herramientas eléctricas puede provocar lesiones personales graves.*

- **Utilice equipos de protección personal. Lleve siempre protección ocular.** *Si se utilizan correctamente equipos de protección como máscaras antipolvo, zapatos de seguridad antideslizantes, cascos o protecciones auditivas, se reducirán las lesiones personales.*
- **Evite el arranque accidental. Asegúrese de que el interruptor esté en la posición de apagado antes de conectar a la fuente de alimentación o a la batería y al coger o transportar la herramienta.** *El transporte de herramientas eléctricas con el dedo en el interruptor o la conexión de herramientas eléctricas que tienen el interruptor activado fomenta los accidentes.*
- **Retire cualquier llave de ajuste antes de encender la herramienta eléctrica.** *Una llave que se quede fijada a una pieza giratoria de la herramienta eléctrica puede provocar lesiones personales.*
- **No se estire. Mantenga en todo momento una postura adecuada y el equilibrio.** *Esto permite un mejor control de la herramienta eléctrica en situaciones inesperadas.*
- **Lleve indumentaria adecuada. No lleve ropa o joyas sueltas. Mantenga el cabello, la ropa y los guantes lejos de las piezas móviles.** *La ropa suelta, las joyas o el cabello largo pueden quedar atrapados en las piezas móviles.*
- **Si se utilizan dispositivos para la conexión de sistemas de extracción y recogida de polvo, asegúrese de que estén conectados y se utilicen correctamente.** *La utilización de sistemas de recogida de polvo puede reducir los riesgos relacionados con el polvo.*
- **No permita que la familiaridad adquirida con el uso frecuente de las herramientas le permita ser confiado e ignorar los principios de seguridad de las herramientas.** *Una acción descuidada puede provocar lesiones graves en una fracción de segundo.*

2.4 UTILIZACIÓN Y CUIDADO DE HERRAMIENTAS ELÉCTRICAS

- **No fuerce la herramienta eléctrica. Utilice la herramienta eléctrica correcta para su aplicación.** *La herramienta eléctrica correcta hará el trabajo mejor y con mayor seguridad a la velocidad para la que se diseñó.*
- **No utilice la herramienta eléctrica si el interruptor no la enciende y la apaga.** *Cualquier herramienta eléctrica que no pueda controlarse con el interruptor es peligrosa y debe repararse.*
- **Desconecte el enchufe de la fuente de alimentación o retire la batería de la herramienta eléctrica antes de realizar ajustes, cambiar accesorios o almacenar herramientas eléctricas.** *Estas medidas de seguridad preventivas reducen el riesgo de que la herramienta eléctrica se arranque accidentalmente.*

- **Almacene las herramientas eléctricas inactivas fuera del alcance de los niños y no permita que personas que no estén familiarizadas con la herramienta eléctrica o estas instrucciones puedan utilizarla.** *Las herramientas eléctricas son peligrosas en manos de usuarios inexpertos.*
- **Mantenga las herramientas eléctricas y los accesorios. Compruebe si hay desalineación o unión de las piezas móviles, rotura de piezas y cualquier otra condición que pueda afectar al funcionamiento de la herramienta eléctrica.** *Si ha sufrido daños, lleve a reparar la herramienta eléctrica antes del uso. Numerosos accidentes se deben a herramientas eléctricas mal mantenidas.*
- **Mantenga limpias y afiladas las herramientas de corte.** *Las herramientas de corte mantenidas correctamente con filos cortantes tienen menos probabilidades de atascarse y son más fáciles de controlar.*
- **Utilice la herramienta eléctrica, los accesorios, las brocas, etc. de acuerdo con estas instrucciones, teniendo en cuenta las condiciones de trabajo y el trabajo a realizar.** *El uso de la herramienta eléctrica para operaciones distintas de las previstas podría dar lugar a una situación peligrosa.*
- **Mantenga las asas y las superficies de agarre secas, limpias y sin restos de aceite y grasa.** *Las asas y las superficies de agarre resbaladizas no permiten un manejo y control seguros de la herramienta en situaciones inesperadas.*

2.5 UTILIZACIÓN Y CUIDADO DE HERRAMIENTAS A BATERÍA

- **Recargue solo con el cargador especificado por el fabricante.** *Un cargador adecuado para un tipo de batería puede dar lugar a un riesgo de incendio cuando se usa con otra batería.*
- **Utilice las herramientas eléctricas únicamente con las baterías designadas específicamente.** *El uso de cualquier otra batería puede dar lugar a un riesgo de lesiones e incendio.*
- **Cuando la batería no esté en uso, manténgala alejada de otros objetos metálicos como clips, monedas, llaves, clavos, tornillos u otros objetos metálicos pequeños que puedan hacer una conexión entre los terminales.** *El cortocircuito de los terminales de la batería puede provocar quemaduras o incendios.*
- **Bajo condiciones abusivas, es posible que salga líquido despedido de la batería; evite el contacto.** *Si se produce un contacto accidental, aclare con agua. Si el líquido entra en contacto con los ojos, acuda también al médico.* *El líquido despedido de la batería puede provocar irritación o quemaduras.*
- **No utilice una batería o una herramienta que haya sufrido daños o modificaciones.** *Las baterías dañadas o modificadas pueden exhibir un comportamiento impredecible que puede dar lugar a un incendio, una explosión o un riesgo de lesiones.*

- **No exponga una batería o una herramienta al fuego ni a temperatura excesiva.** La exposición al fuego o a una temperatura superior a 130°C puede provocar una explosión.
- **Siga todas las instrucciones de carga y no cargue la batería o la herramienta fuera del intervalo de temperatura especificado en las instrucciones.** La carga incorrecta o a temperaturas fuera del intervalo especificado puede dañar la batería y aumentar el riesgo de incendio.

2.6 SERVICIO

- **Solicite a un técnico de reparación cualificado que realice las tareas de servicio de su herramienta eléctrica utilizando únicamente piezas de repuesto idénticas.** Esto garantizará el mantenimiento de la seguridad de la herramienta eléctrica.
- **Nunca repare las baterías dañadas.** La reparación de las baterías únicamente debe ser realizada por el fabricante o los proveedores de servicio técnico autorizados.

3 PROPUESTA 65

▲ AVISO

Este producto contiene una sustancia química conocida en el estado de California como causante de cáncer, defectos de nacimiento u otros daños reproductivos. El polvo generado por el lijado eléctrico, el serrado, el esmerilado, la perforación y otras actividades de construcción contiene sustancias químicas que se sabe que son causantes de cáncer, defectos de nacimiento u otros daños reproductivos. Algunos ejemplos de estas sustancias químicas son:

- Plomo de pinturas con base de plomo;
- Sílice cristalina de ladrillos y cemento y otros productos de albañilería;
- Arsénico y cromo de la madera tratada químicamente.

El riesgo de exposición a estas sustancias químicas varía según la frecuencia con la que realice este tipo de trabajo. Para reducir su exposición a estas sustancias químicas, trabaje en una zona bien ventilada y trabaje con equipos de seguridad aprobados, como máscaras antipolvo, que estén especialmente diseñadas para filtrar partículas microscópicas.

Conserve estas instrucciones.

4 SEGURIDAD INFANTIL

Pueden producirse accidentes trágicos si el operario no es consciente de la presencia de niños.










- Mantenga a los niños fuera de la zona de trabajo y bajo la vigilancia de un adulto responsable.
- No permita que niños menores de 14 años utilicen esta herramienta. Los niños de 14 años y mayores deben leer y entender las instrucciones de funcionamiento y las


normas de seguridad que se encuentran en este manual y deben recibir formación y supervisión por parte de uno de sus progenitores.

- Manténgase alerta y apague el aparato si un niño o cualquier otra persona entra en la zona de trabajo.
- Tenga mucho cuidado al acercarse a esquinas ciegas, portales, arbustos, árboles u otros objetos que puedan ocultar su visión de un niño que pueda correr hacia el recorrido del aparato.

5 SÍMBOLOS EN EL PRODUCTO




En esta herramienta pueden utilizarse algunos de los siguientes símbolos. Le rogamos que los estudie y aprenda su significado. La interpretación correcta de estos símbolos le permitirá manejar la herramienta mejor y de manera más segura.

Símbolo	Explicación
V	Tensión
A	Corriente
W	Potencia
min	Tiempo
min ⁻¹	Revoluciones, carreras, velocidad de superficie, órbitas, etc., por minuto
— — —	Corriente continua
	Debe leer y entender todas las instrucciones antes de manejar el producto, así como seguir todas las advertencias e instrucciones de seguridad.
	Precauciones que afectan a su seguridad.
	Lleve siempre protección ocular con protectores laterales marcada para cumplir la ANSI Z87.1 cuando utilice este equipo.
	No exponga el producto a la lluvia o a condiciones de humedad.
	Mantenga a los transeúntes al menos a 15 m (50 pies).
	Si no evita que la ropa suelta se introduzca en la entrada de aire, podrían producirse lesiones personales.
	Si no se mantiene el cabello largo lejos de la entrada de aire, podrían producirse lesiones personales.
	Las palas giratorias del rotor pueden producir lesiones graves.
	Lleve guantes antideslizantes resistentes.

Símbolo	Explicación
	Lleve protección auditiva.

6 NIVELES DE RIESGO

Las siguientes indicaciones y significados tienen como fin explicar los niveles de riesgo asociados a este producto.

SÍMBOLO	INDICACIÓN	SIGNIFICADO
	PELIGRO	Indica una situación de peligro inminente que, de no evitarse, provocará lesiones graves o incluso la muerte.
	ADVERTENCIA	Indica una situación de peligro potencial que, de no evitarse, podría provocar lesiones graves o incluso la muerte.
	PRECAUCIÓN	Indica una situación de peligro potencial que, de no evitarse, puede provocar lesiones leves o moderadas.
	PRECAUCIÓN	(Sin símbolo de alerta sobre seguridad) Indica una situación que puede provocar daños materiales.

7 ELIMINACIÓN DE BATERÍA SEGURA PARA EL MEDIO AMBIENTE



Los materiales tóxicos y corrosivos que figuran a continuación se encuentran en las baterías utilizadas en esta máquina: **Ion de litio, un material tóxico.**

▲ AVISO

Deseche todos los materiales tóxicos de una manera especificada para evitar la contaminación del medio ambiente. Antes de desechar una batería de ion de litio dañada o agotada, contacte con la agencia local de eliminación de residuos o con la agencia de protección ambiental local para obtener información e instrucciones específicas. Lleve las baterías a un centro de reciclaje o eliminación local, certificado para la eliminación de ion de litio.

▲ AVISO

Si la batería se agrieta o se rompe, con o sin fugas, no la recargue ni la utilice. Deséchela y sustitúyala por una batería nueva. ¡NO INTENTE REPARARLA! Para evitar lesiones y riesgos de incendio, explosión o descarga eléctrica, y para evitar daños al medio ambiente:

- Cubra los terminales de la batería con cinta adhesiva resistente.
- NO intente retirar o destruir ninguno de los componentes de la batería.
- NO intente abrir la batería.
- Si se produce una fuga, los electrolitos liberados son corrosivos y tóxicos. NO deje que la solución entre en contacto con los ojos o la piel, y no la ingiera.
- NO deseche estas baterías con la basura doméstica normal.
- NO incinere.
- NO lleve las baterías a lugares donde formarán parte de vertederos de residuos o flujos de residuos sólidos urbanos.
- Llévelas a un centro de reciclaje o eliminación certificado.

8 INSTALACIÓN

8.1 DESEMBALAJE DE LA MÁQUINA

▲ AVISO

No es necesario montar la máquina.

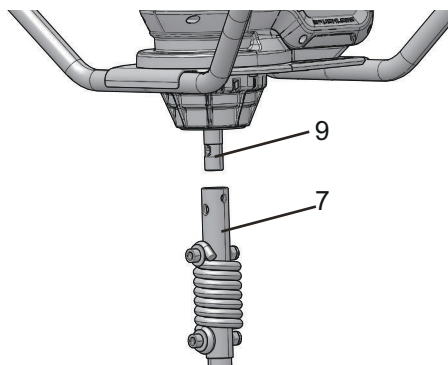
- Si las piezas presentan daños, no utilice la máquina.
- Si no tiene todas las piezas, no utilice la máquina.
- Si faltan piezas o hay piezas dañadas, hable con el centro de servicio.

1. Abra el embalaje.
2. Lea la documentación que se encuentra en la caja.
3. Retire la máquina de la caja.
4. Deseche la caja y el material de embalaje de conformidad con los reglamentos locales.

8.1.1 INSTALACIÓN DE LA BROCA AHOYADORA

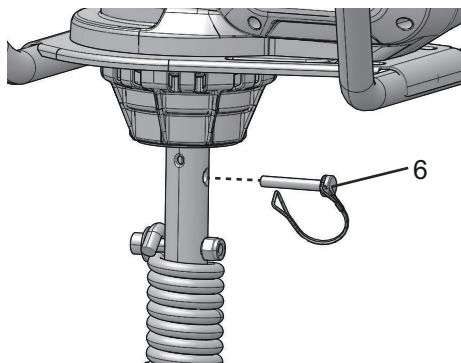
▲ AVISO

Para evitar una puesta en marcha accidental que podría provocar lesiones personales graves, retire siempre la batería de la herramienta al montar cualquier pieza.

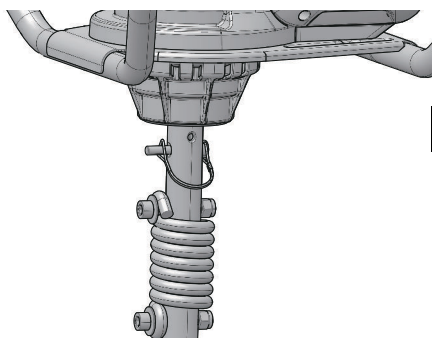


Este eje ahoyador mide 7/8" de diámetro. Funciona con la mayoría de las brocas de tamaño universal diseñadas para este tamaño de eje.

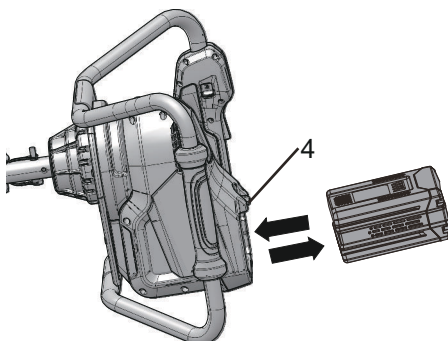
1. Asegúrese de utilizar la broca correcta (7) para el material que desea perforar.
2. Alinee los orificios del eje del ahoyador (9) con los orificios de la broca.



3. Abra el pasador de anillo (6).
4. Introduzca el pasador de anillo por los orificios.
5. Cierre y bloquee el pasador de anillo para fijar la broca al eje ahoyador.



8.1.2 INSTALACIÓN DE LA BATERÍA



▲ AVISO

- Si la batería o el cargador ha sufrido daños, sustituya la batería o el cargador.
- Detenga la máquina y espere hasta que el motor se pare antes de instalar o retirar la batería.
- Debe leer, conocer y seguir las instrucciones del manual de la batería y el cargador.

1. Alinee las nervaduras de elevación de la batería con las ranuras del compartimento de la batería.
2. Introduzca la batería en el compartimento de la batería hasta que encaje en su posición.
3. Cuando escuche un clic, la batería está instalada.

8.1.3 RETIRADA DE LA BATERÍA

1. Pulse y mantenga pulsado el botón de desbloqueo de la batería.
2. Retire la batería de la máquina.

9 FUNCIONAMIENTO

- Toque la broca con cuidado.
- No toque la broca a menos que retire la batería.
- No utilice la máquina si la broca ha sufrido daños o está doblada.

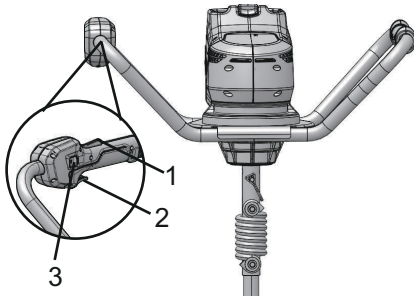
- Retire todos los objetos, como cordones, luces, cables o cuerdas que puedan enredarse en la broca y generar un riesgo de lesiones personales.

▲ AVISO

Si la broca se engancha en un cable o línea eléctrica, ¡NO TOQUE LA BROCA! PUEDE TENER CORRIENTE Y SER PELIGROSA. Realice estos pasos:

1. Sujete el asa posterior aislada o deje la máquina lejos de usted.
2. Desconecte el suministro eléctrico a la línea o cable dañado antes de intentar liberar la broca.

9.1 PUESTA EN MARCHA DE LA MÁQUINA



Esta máquina tiene tres luces a lo largo de la parte inferior del cabezal de accionamiento alrededor del eje. Cuando aprieta el gatillo, las luces se encienden. Si suelta el gatillo completamente, las luces se apagarán después de 30 segundos.

1. Pulse el interruptor de desbloqueo de seguridad (2).
2. Apriete el gatillo (1) para poner en marcha la máquina.

▲ AVISO

Mantenga la máquina lejos del agua.

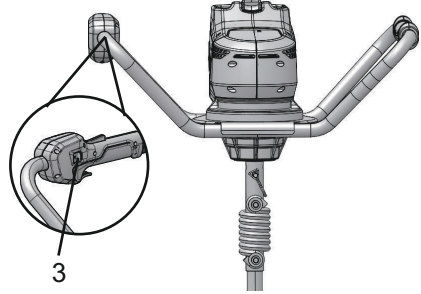
▲ PELIGRO

No toque la tapa de la caja de engranajes después de manejar la máquina, la alta temperatura puede provocar una lesión.

9.2 DETENCIÓN DE LA MÁQUINA

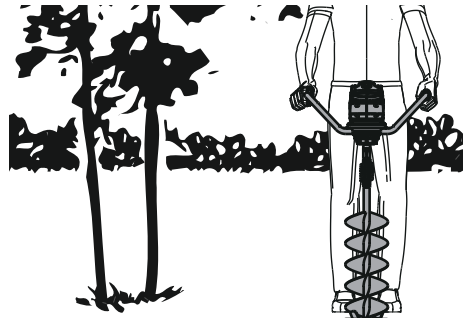
1. Suelte el gatillo para detener la máquina.

9.3 CONSEJOS DE FUNCIONAMIENTO



Antes de hacer un hoyo, mire siempre en qué posición está el interruptor de avance/retroceso.

- Sitúe el interruptor de avance/retroceso (3) en "F" para avanzar. La máquina girará en sentido horario y perforará el suelo. Aplique el peso de su cuerpo sobre la broca para ayudarla a perforar.
- Sitúe el interruptor de avance/retroceso (3) en "R" para retroceder. La máquina girará en sentido antihorario y tratará de girar para salir del suelo. Tire hacia arriba de las asas cuando perforo en el terreno, esto permitirá que la broca entre y salga del suelo más fácilmente. La función de retroceso también puede utilizarse para ayudar a la broca a desengancharse de una raíz u otra obstrucción.
- Al perforar un hoyo más profundo, limpie la suciedad/material de la broca ahoyadora de vez en cuando tirando de la unidad hacia arriba 10 cm (4 pulgadas) después de perforar cada 15 cm (6 pulgadas). Esto facilitará la extracción del ahoyador cuando el hoyo haya sido completamente perforado.
- En suelos arcillosos o rocosos, puede ser necesario perforar el hoyo más lentamente y retirar la tierra más a menudo.
- Si se utiliza en condiciones muy frías, puede ser necesario calentar la batería para que el ahoyador funcione. Para ello, coloque la batería en una zona más cálida (en el interior, en el bolsillo de un abrigo, etc.) durante un par de minutos.



▲ AVISO

Sujete la máquina firmemente con las dos manos al mismo tiempo y no afloje su agarre antes de que la máquina se detenga. Utilice la máquina por parejas si es necesario.

10 MANTENIMIENTO

▲ PRECAUCIÓN

No permita que líquidos de frenos, gasolina y otros derivados del petróleo toquen las piezas de plástico. Las sustancias químicas pueden dañar el plástico y hacer que quede inservible.

▲ PRECAUCIÓN

No utilice disolventes o detergentes fuertes en la carcasa o los componentes de plástico.

▲ AVISO

Retire la batería de la máquina antes de realizar tareas de mantenimiento.

10.1 LIMPIEZA DE LA MÁQUINA

▲ AVISO

Mantenga la máquina y el motor libres de hojas, ramas o exceso de aceite para evitar riesgos de incendio.

- Utilice un paño húmedo con un detergente suave para limpiar la máquina.
- Limpie toda la humedad con un paño suave y seco.
- Utilice un cepillo pequeño para limpiar los orificios de ventilación.

11 ALMACENAMIENTO DE LA MÁQUINA

i NOTA

Limpie la máquina antes del almacenamiento.

1. Retire la batería.
2. Deje que el motor se enfríe.
3. Compruebe que no haya componentes sueltos o dañados. En caso necesario, sustituya los componentes dañados, apriete los tornillos y los pernos o consulte con una persona de un centro de servicio autorizado.
4. Almacene la máquina en un lugar fresco y seco.

12 SOLUCIÓN DE PROBLEMAS

Problema	Posible causa	Solución
El motor no se pone en marcha cuando aprieta el gatillo.	La batería no se ha instalado bien.	Asegúrese de que ha instalado bien la batería en la máquina.
	La batería se ha agotado.	Cargue la batería.
La máquina echa humo durante el funcionamiento.	La máquina ha sufrido daños.	<ol style="list-style-type: none"> 1. Detenga la máquina inmediatamente. 2. Retire la batería. 3. Contacte con el centro de servicio.
El motor está en marcha, la broca no se mueve.	La máquina ha sufrido daños.	No utilice la máquina y contacte con el centro de servicio.
	La broca está bloqueada.	Retire la batería y, posteriormente, elimine la obstrucción de la broca.
Hay demasiado ruido o vibración durante el funcionamiento.	Las piezas están flojas.	<ol style="list-style-type: none"> 1. Detenga la máquina. 2. Retire la batería. 3. Inspeccione si hay daños. 4. Compruebe y apriete las piezas sueltas.
	Las piezas han sufrido daños.	No utilice la máquina y contacte con el centro de servicio.

13 DATOS TÉCNICOS

Tensión	18 V
Velocidad sin carga	Avance: 210 min ⁻¹
	Retroceso: 50 min ⁻¹
Peso (sin batería)	18.63 lbs (8.45 kg)
Modelo de batería	2902402 y otras series BAB
Modelo de cargador	2901402, CAB801 y otras series CAB

14 GARANTÍA LIMITADA



Por la presente Greenworks garantiza este producto, al comprador original con el comprobante de compra, durante un periodo de cuatro (4) años frente a defectos en materiales, piezas o mano de obra. A su entera discreción Greenworks reparará o sustituirá cualquiera y todas las piezas que resulten ser defectuosas, con un uso normal, sin coste alguno para el cliente. Esta garantía es válida únicamente para unidades que se hayan utilizado para uso personal que no han sido arrendadas o alquiladas para uso industrial/comercial y cuyo mantenimiento se ha realizado de acuerdo con las instrucciones del manual del propietario suministrado con el producto nuevo.

ARTÍCULOS NO CUBIERTOS POR LA GARANTÍA:

1. Cualquier pieza que no funcione debido a mal uso, uso comercial, abuso, negligencia, accidente, mantenimiento inadecuado o alteración; o
2. La unidad, si no ha sido utilizada o mantenida de acuerdo con el manual del propietario; o
3. Desgaste normal;
4. Artículos de mantenimiento de rutina tales como lubricantes, afilado de cuchillas;
5. Deterioro normal del acabado exterior debido al uso o la exposición.

LÍNEA DE ASISTENCIA TELEFÓNICA:

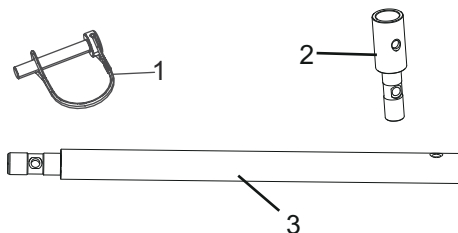
Puede contactar con el servicio de garantía llamando a nuestra línea de asistencia telefónica gratuita, a 1-833-493-5483.

COSTES DE TRANSPORTE:

Los costes de transporte por el desplazamiento de cualquier unidad o accesorio de equipos eléctricos son responsabilidad del comprador. Es responsabilidad del comprador pagar los costes de transporte de cualquier pieza enviada para su sustitución bajo esta garantía, a menos que dicha devolución sea solicitada por escrito por Greenworks.

<p>Dirección en EE.UU.: Greenworks Tools P.O. Box 1238 Mooresville, NC 28115</p>	<p>Dirección en Canadá: Greenworks Tools Canada Inc. P.O. Box 93095, Newmarket, Ontario L3Y 8K3</p>
----------------------------------------------------------------------------------------------------------	---------------------------------------------------------------------------------------------------------------------------------

15 VISTA DESPIEZADA



N°	N° pieza	Descripción	Cant.
1	R0202466-00	Pasador de anillo	3
2	R0202728-00	Adaptador	1
3	R0202729-00	Extensor	1