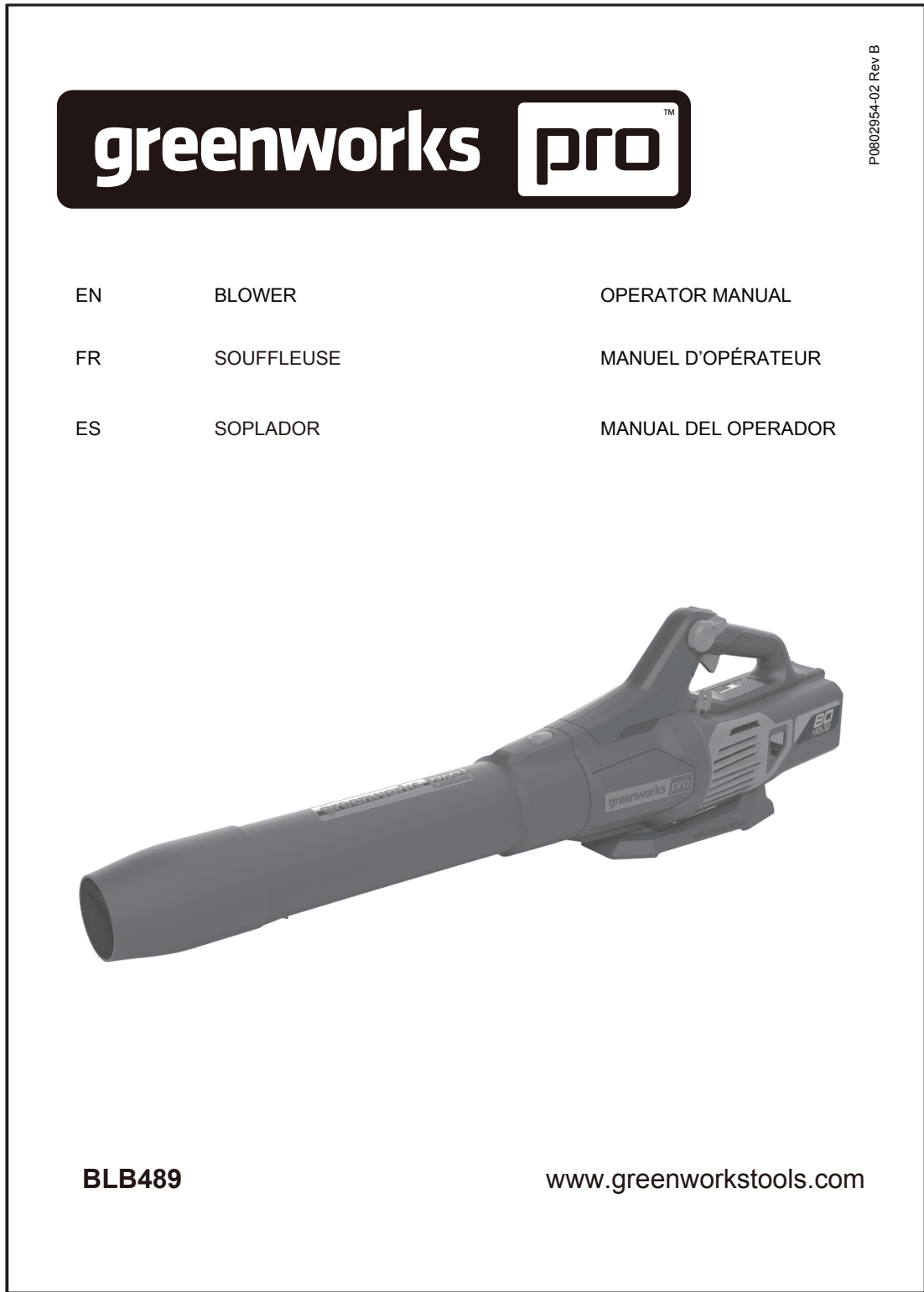


P0802954-02

210



P0802954-02 Rev B

145

SCALE: A5

说明书技术要求:

1. 材质要求: 60g双胶纸, 共28p
2. 说明书为单色印刷;
3. 骑马钉装订, 裁切均匀、无连页。
4. 说明书可封样、要求无色差、无污点。
5. 料件需符合格力博HSF文件(编号: GLB-CGR-146) 里关于环保和有害物质的具体要求。

版本号

@在P0802954-01 基础上更改参数和电充

B

重要度等级

B

日期

					说明书				常州格力博集团		
									GWK 80V吹风机		
	@1		张君	21.05.08							
	标记	处数	更改文件号	签名	日期						
	设计	张君	标准化	王小妮	阶段标记	视角标记	重量	比例	2400141COVB		
	校对	杨媛			S	A	B				
	审核	周艳	批准	李海平					ERP号	P0802954-02	
			日期	21.05.08	共 1 张		第 1 张				

greenworks

pro™

EN

BLOWER

OPERATOR MANUAL

FR

SOUFFLEUSE

MANUEL D'OPÉRATEUR

ES

SOPLADOR

MANUAL DEL OPERADOR



BLB489

www.greenworkstools.com

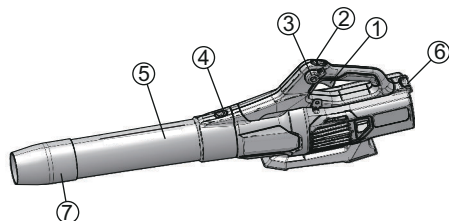
1	Description.....	4	10.3	Install the battery pack.....	7
1.1	Purpose.....	4	10.4	Remove the battery pack.....	7
1.2	Overview.....	4	11	Operation.....	7
1.3	Packing list.....	4	11.1	Start the machine.....	7
2	Important safety instructions.....	4	11.2	Stop the machine.....	8
3	Battery-operated power tools.....	4	11.3	Cruise control lever.....	8
4	Child safety.....	5	11.4	Turbo button.....	8
5	Save these instructions.....	5	11.5	Operation tips.....	8
6	Symbols on the product.....	5	12	Maintenance.....	8
7	Risk levels.....	6	12.1	Clean the machine.....	8
8	Environmentally safe battery disposal.....	6	13	Transportation and storage.....	8
9	Proposition 65.....	6	13.1	Move the machine.....	8
10	Installation.....	6	13.2	Store the machine.....	8
10.1	Unpack the machine.....	6	14	Troubleshooting.....	9
10.2	Install the blower tube.....	7	15	Technical data.....	9
			16	Limited warranty.....	9
			17	Exploded view.....	10

1 DESCRIPTION

1.1 PURPOSE

The machine is used to propel air out of a tube to move unwanted materials such as leaves in the yard. Some machines also suck in leaves and small twigs through a vacuum, and shred them into a bag.

1.2 OVERVIEW



- | | |
|-----------------------|--------------------------|
| 1 Trigger | 5 Tube |
| 2 Turbo button | 6 Battery release button |
| 3 Cruise control | 7 Concentrator nozzle |
| 4 Tube release button | |

1.3 PACKING LIST

- | | |
|----------|----------|
| 1 Blower | 3 Nozzle |
| 2 Tube | 4 Manual |

2 IMPORTANT SAFETY INSTRUCTIONS

For household use.

READ ALL INSTRUCTIONS BEFORE USING (THIS POWER TOOL)

▲ WARNING

Read and understand all instructions before using this product. Failure to follow all instructions listed below may result in electric shock, fire, and/or serious personal injury. When using an electrical appliance, basic precautions should always be followed, including the following:

- Do not use on wet surfaces.
- Do not charge the unit outdoors.
- Do not allow to be used as a toy. Close attention is necessary when used by or near children.
- Use only as described in this manual. Use only manufacturer's recommended attachments.
- If appliance is not working as it should, has been dropped, damaged, left outdoors, or dropped into water, return it to a service center.
- Do not handle appliance with wet hands.

- Do not put any object into openings. Do not use with any opening blocked; keep free of dust, lint, hair, and anything that may reduce air flow.
- Keep hair, loose clothing, fingers and all body parts away from openings and moving parts.
- Use extra care when cleaning on stairs.
- Do not operate power tools in an explosive atmosphere, such as in the presence of flammable liquids, gases, or dust. Power tools create sparks that may ignite the dust or fumes.
- Never allow children to operate the equipment. Never allow adults to operate the equipment without proper instruction.
- Wear heavy long pants, boots, and gloves. Avoid loose garments or jewellery that could get caught in moving parts of the machine or its motor.
- Do not force tool. Use the correct tool for your application. The correct tool will do the job better and safer at the rate for which it is designed.
- Keep firm footing and balance. Do not overreach. Overreaching can result in loss of balance.
- Do not use the tool if the switch does not turn it on or off. Any tool that cannot be controlled with the switch is dangerous, and must be repaired.
- Do not operate this unit when you are tired, ill, or under the influence of alcohol, drugs, or medication.
- Do not operate in poor lighting.
- Do not use to pick up flammable or combustible liquids, such as gasoline, or use in areas where they may be present
- Do not pick up anything that is burning or smoking, such as cigarettes, matches, or hot ashes.
- Do not use without dust bag and/or filters in place (if applicable).
- Check the work area before each use. Remove all objects such as rocks, broken glass, nails, wire, or string which can be thrown or become entangled in the machine.
- Use only identical manufacturer's replacement parts and accessories. Use of any other parts may create a hazard or cause product damage.
- To Reduce The Risk Of Electric Shock – Do Not Expose To Rain – Store Indoors.
- Use only with BAB726 and other BAB battery packs.
- Use only with 2901402 and other CAB chargers.

3 BATTERY-OPERATED POWER TOOLS

- Do not use battery-operated appliance in rain.
- Turn off all controls before removing the battery.
- Recharge only with the charger specified by the manufacturer. A charger that is suitable for one type of battery pack may create a risk of fire when used with another battery pack.
- Use only the charger supplied by the manufacturer to recharge.

- Use appliances only with specifically designated battery packs. Use of any other battery packs may create a risk of injury and fire.
- Prevent unintentional starting. Ensure the switch is in the off-position before connecting to battery pack, picking up or carrying the appliance. Carry the power tool with your finger on the switch or energize power tool that have the switch on invites accidents.
- Disconnect the battery pack from the power tool before making any adjustments, changing accessories, or storing the power tool. Such preventive safety measures reduce the risk of starting the power tool accidentally.
- When battery pack is not in use, keep it away from other metal objects like paper clips, coins, keys, nails, screws or other small metal objects that can make a connection from one terminal to another. Shorting the battery terminals together may cause burns or a fire.
- Under abusive conditions, liquid may be ejected from the battery; avoid contact. If contact accidentally occurs, flush with water. If liquid contacts eyes, additionally seek medical help. Liquid ejected from the battery may cause irritation or burns.
- Do not incinerate the appliance even if it is severely damaged. The batteries can explode in a fire.
- Do not use a battery pack or appliance that is damaged or modified. Damaged or modified batteries may exhibit unpredictable behavior resulting in fire, explosion or risk of injury.
- Do not expose a battery pack or appliance to fire or excessive temperature. Exposure to fire or temperature above 265°F (130°C) may cause an explosion.
- Have servicing performed by a qualified repair person using only identical replacement parts. This will ensure that the safety of the product is maintained.
- Don't modify or attempt to repair the appliance or the battery pack (as applicable) except as indicated in the instructions for use and care.
- Follow all charging instructions and do not charge the battery pack or appliance outside of the temperature range specified in the instructions. Charging improperly or at temperatures outside of the specified range may damage the battery and increase the risk of fire.

4 CHILD SAFETY

Tragic accidents can occur if the operator is not aware of the presence of children.












- Keep children out of the working area and under the watchful care of a responsible adult.
- Do not allow children under the age of 14 to operate this machine. Children who are 14 years of age and older must read and understand the operating instructions and safety rules in this manual and must be trained and supervised by a parent.
- Stay alert, and turn the machine off if a child or any other person enters the working area.

- Use extreme care when approaching blind corners, doorways, shrubs, trees, or other objects that may obscure your view of a child who may run into the path of the machine.

5 SAVE THESE INSTRUCTIONS




6 SYMBOLS ON THE PRODUCT

Some of the following symbols may be used on this tool. Please study them and learn their meaning. Proper interpretation of these symbols will allow you to operate the tool better and safer.

Symbol	Explanation
V	Voltage
A	Current
W	Power
min	Time
/min	Revolutions, strokes, surface speed, orbits etc., per minute
	Direct current
	Read and understand all instructions before operating the product, and follow all warnings and safety instructions.
	Precautions that involve your safety.
	Wear ear protection when operating this equipment.
	Always wear eye protection with side shields marked to comply with ANSI Z87.1 when operating this equipment.
	Do not expose the product to rain or moist conditions.
	Keep all bystanders at least 15 m away.
	Do not touch the fan when you operate this machine.
	Failure to keep loose clothing from being drawn into air intake could result in personal injury.
	Failure to keep long hair away from the air inlet could result in personal injury.
	Rotating impeller blades can cause severe injury.

7 RISK LEVELS

The following signal words and meanings are intended to explain the levels of risk associated with this product.

SYM-BOL	SIGNAL	MEANING
	DANGER	Indicates an imminently hazardous situation, which, if not avoided, will result in death or serious injury.
	WARNING	Indicates a potentially hazardous situation, which, if not avoided, could result in death or serious injury.
	CAUTION	Indicates a potentially hazardous situation, which, if not avoided, may result in minor or moderate injury.
	CAUTION	(Without Safety Alert Symbol) Indicates a situation that may result in property damage.

8 ENVIRONMENTALLY SAFE BATTERY DISPOSAL



The toxic and corrosive materials below are in the batteries used in this machine: **Lithium-Ion, a toxic material.**

▲ WARNING

Discard all toxic materials in a specified manner to prevent contamination of the environment. Before discarding damaged or worn out Li-ion battery, contact your local waste disposal agency, or the local Environmental Protection Agency for information and specific instructions. Take the batteries to a local recycling and/or disposal center, certified for lithium-ion disposal.

▲ WARNING

If the battery pack cracks or breaks, with or without leaks, do not recharge it and do not use. Discard it and replace with a new battery pack. **DO NOT TRY TO REPAIR IT!** To prevent injury and risk of fire, explosion, or electric shock, and to avoid damage to the environment:

- Cover the terminals of the battery with heavy-duty adhesive tape.
- **DO NOT** try to remove or destroy any of the battery pack components.
- **DO NOT** try to open the battery pack.
- If a leak develops, the released electrolytes are corrosive and toxic. **DO NOT** get the solution in the eyes or on skin, and do not swallow it.
- **DO NOT** put these batteries in your regular household trash.
- **DO NOT** incinerate.
- **DO NOT** put them where they will become part of any waste landfill or municipal solid waste stream.
- Take them to a certified recycling or disposal center.

9 PROPOSITION 65

▲ WARNING

This product contains a chemical known to the state of California to cause cancer, birth defects or other reproductive harm. Some dust created by power sanding, sawing, grinding, drilling, and other construction activities contains chemicals known to cause cancer, birth defects or other reproductive harm. Some examples of these chemicals are:

- Lead from lead-based paints;
- Crystalline silica from bricks and cement and other masonry products;
- Arsenic and chromium from chemically treated lumber.

Your risk of exposure to these chemicals varies depending on how often you do this type of work. To reduce your exposure to these chemicals, work in a well-ventilated area, and work with approved safety equipment, such as dust masks that are specially designed to filter out microscopic particles.

Save these instructions.

10 INSTALLATION

10.1 UNPACK THE MACHINE

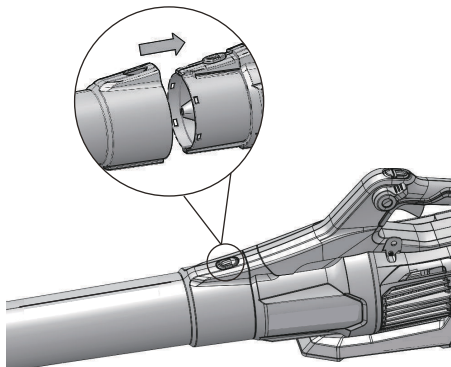
▲ WARNING

Make sure that you correctly assemble the machine before use.

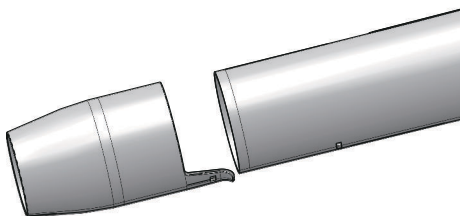
▲ WARNING

- If parts of the machine are damaged, do not use the machine.
- If you do not have all the parts, do not operate the machine.
- If parts are damaged or missing, contact the service center.

1. Open the package.
2. Read the documentation provided in the box.
3. Remove all the unassembled parts from the box.
4. Remove the machine from the box.
5. Discard the box and packing material in compliance with local regulations.

10.2 INSTALL THE BLOWER TUBE

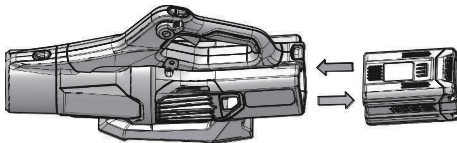
1. Move the tube until the tube release button engages into the slot.



2. Connect the nozzle to the tube until the tube locks into the nozzle.

i TIP

You can use the nozzle to increase airflow in tight areas.

10.3 INSTALL THE BATTERY PACK**▲ WARNING**

- If the battery pack or charger is damaged, replace the battery pack or the charger.
- Stop the machine and wait until the motor stops before you install or remove the battery pack.
- Read and understand the instructions in the battery and charger manual.

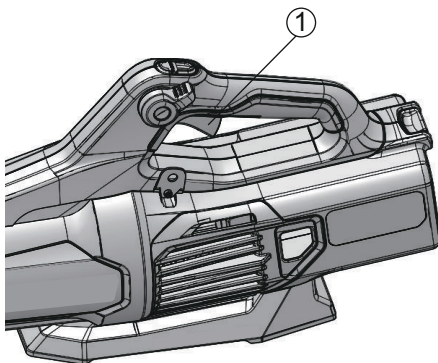
1. Align ridges on the sides of the battery pack with the grooves in the battery compartment.
2. Push the battery pack into the battery compartment until the battery pack locks into place.
3. When you hear a click, the battery pack is installed.

10.4 REMOVE THE BATTERY PACK

1. Push and hold the battery release button.
2. Remove the battery pack from the machine.

11 OPERATION**▲ WARNING**

Make sure the blower tube is in position before operation.

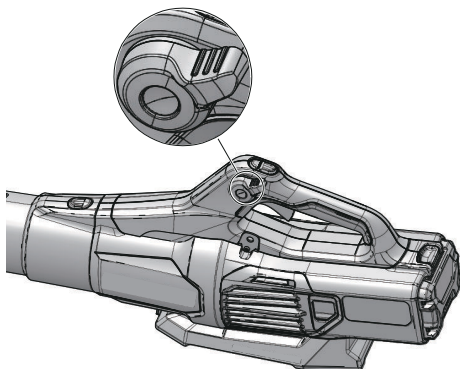
11.1 START THE MACHINE

1. Pull the trigger (1) to start the machine.
2. Pull the trigger fully to increase the speed.
3. Release the trigger to decrease the speed.

11.2 STOP THE MACHINE

1. Release the trigger to stop the machine.

11.3 CRUISE CONTROL LEVER



1. Pull the cruise control lever clockwise to increase the speed. This will lock the speed at the desired setting.
2. Push the cruise control lever counter clockwise to decrease the speed.

i NOTE

If you decrease the speed all the way, the unit will stop and it is necessary to start the machine again.

11.4 TURBO BUTTON

1. Push the turbo button, the machine is at the highest speed.
2. Release the turbo button, the machine is at the normal speed.

i NOTE

Using the turbo button drains the battery the fastest. Only use the turbo button when needed.

11.5 OPERATION TIPS

- Blow around the outer edge of the unwanted materials to prevent the unwanted materials from scattering.
- Use rakes and brooms to clear the unwanted material before you blow.
- Make the surfaces wet before you clear the unwanted material in dusty conditions.
- Look out for children, pets, open windows, and cleaned cars during operation.
- Clean the machine.
- Discard the unwanted material when you complete work.

12 MAINTENANCE

▲ CAUTION

Do not let brake fluids, gasoline, petroleum-based materials touch the plastic parts. Chemicals can cause damage to the plastic, and make the plastic unserviceable.

▲ CAUTION

Do not use strong solvents or detergents on the plastic housing or components.

▲ WARNING

Remove the battery pack from the machine before maintenance.

12.1 CLEAN THE MACHINE

▲ CAUTION

The machine must be dry. Humidity can cause risks of electrical shocks.

- Clear the unwanted material out of the air vent with a vacuum cleaner.
- Do not spray the air vent or put the air vent in solvents.
- Clean the housing and the plastic components with a moist and soft cloth.

13 TRANSPORTATION AND STORAGE

▲ WARNING

Remove the battery pack from the machine before transportation and storage.

13.1 MOVE THE MACHINE

- Only hold the machine with the handgrip.

13.2 STORE THE MACHINE

- Clean the machine before storage.
- Make sure that the motor is not hot when you store the machine.
- Make sure that the machine does not have loose or damaged parts. If it is necessary, do these steps/instructions:
 - Replace the damaged parts.
 - Tighten the bolts.
 - Speak to a person of an approved service center.
- Store the machine in a dry area.
- Make sure that children cannot come near the machine.

14 TROUBLESHOOTING

PROBLEM	POSSIBLE CAUSE	SOLUTION
The motor does not start when you pull the trigger.	The battery pack is not installed tightly.	Make sure that you tightly install the battery pack in the machine.
	The battery pack is out of power.	Charge the battery pack.
The machine does not start.	The power switch is defective.	Replace the defective parts by an approved service center.
	The motor is defective.	
	The PCB board is defective.	
The air does not flow through the tube when you start the machine.	The air inlet or tube outlet has a blockage.	Remove the blockage.

15 TECHNICAL DATA

Voltage	80 V
Air volume	650 CFM
Air speed	155 MPH (249.4 Km/h)
Weight (without battery pack)	5.3 lbs. (2.4 kg)
Battery model	BAB726 and other BAB series
Charger model	2901402 and other CAB series

The recommended ambient temperature range:

Item	Temperature
Blower storage temperature range	32°F (0°C) - 113°F (45°C)
Blower operation temperature range	32°F (0°C) - 113°F (45°C)
Battery charging temperature range	39°F (4°C) - 104°F (40°C)
Charger operation temperature range	39°F (4°C) - 104°F (40°C)
Battery storage temperature range	32°F (0°C) - 113°F (45°C)
Battery discharging temperature range	32°F (0°C) - 113°F (45°C)

16 LIMITED WARRANTY



Greenworks hereby warrants this product, to the original purchaser with proof of purchase, for a period of four (4) years against defects in materials, parts or workmanship. Greenworks, at its own discretion will repair or replace any and all parts found to be defective, through normal use, free of charge to the customer. This warranty is valid only for units which have been used for personal use that have not been hired or rented for industrial/commercial use, and that have been maintained in accordance with the instructions in the owners' manual supplied with the product from new.

ITEMS NOT COVERED BY WARRANTY:

- Any part that has become inoperative due to misuse, commercial use, abuse, neglect, accident, improper maintenance, or alteration; or
- The unit, if it has not been operated and/or maintained in accordance with the owner's manual; or
- Normal wear;
- Routine maintenance items such as lubricants, blade sharpening;
- Normal deterioration of the exterior finish due to use or exposure.

HELPLINE:

Warranty service is available by calling our toll-free helpline, at 1-855-345-3934.

TRANSPORTATION CHARGES:

Transportation charges for the movement of any power equipment unit or attachment are the responsibility of the purchaser. It is the purchaser's responsibility to pay transportation charges for any part submitted for replacement under this warranty unless such return is requested in writing by Greenworks.

USA address:

Greenworks Tools
P.O. Box 1238

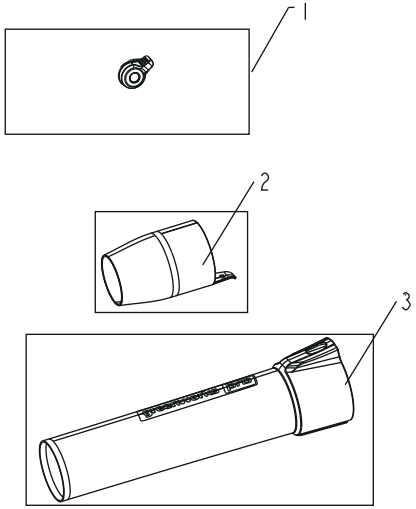
Mooresville, NC 28115

Canadian address:

Greenworks Tools Canada Inc.
P.O. Box 93095, Newmarket,
Ontario

L3Y 8K3

17 EXPLODED VIEW



No.	Part No.	Qty	Description
1	R0201908-00	1	Cruise control assembly
2	R0201909-00	1	Concentrator nozzle
3	R0201910-00	1	Blower tube

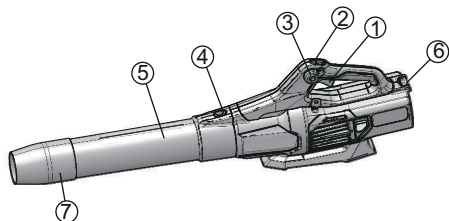
1	Description.....	12			
1.1	But.....	12	10.3	Installer le bloc-batterie.....	16
1.2	Aperçu.....	12	10.4	Retirer le bloc-batterie.....	16
1.3	Liste du contenu de l'emballage.....	12	11	Utilisation.....	16
2	Instructions importantes sur la		11.1	Démarrer la machine.....	16
	sécurité.....	12	11.2	Arrêter la machine.....	16
3	Outils fonctionnant sur batterie.....	13	11.3	Levier de régulateur de vitesse.....	16
4	Sécurité des enfants.....	13	11.4	Bouton Turbo.....	17
5	Conservez ces instructions.....	13	11.5	Conseils sur l'utilisation.....	17
6	Symboles figurant sur la machine.	13	12	Entretien.....	17
7	Niveaux de risques.....	14	12.1	Nettoyez la machine.....	17
8	Élimination des batteries sans		13	Transport et entreposage.....	17
	danger pour l'environnement.....	14	13.1	Déplacez la machine.....	17
9	Proposition 65.....	15	13.2	Entreposez la machine.....	17
10	Installation.....	15	14	Dépannage.....	17
10.1	Déballer la machine.....	15	15	Données techniques.....	17
10.2	Installez le tube de la souffleuse.....	15	16	Garantie limitée.....	18
			17	Vue éclatées.....	18

1 DESCRIPTION

1.1 BUT

La machine est utilisée pour propulser l'air hors d'un tube pour déplacer les matériaux indésirables tels que les feuilles dans la cour. Certaines machines aspirent également les feuilles et les petites brindilles dans un aspirateur et les déchiquettent dans un sac.

1.2 APERÇU



- | | |
|-----------------------------|------------------------------------|
| 1 Gâchette | 5 Tube |
| 2 Bouton Turbo | 6 Bouton d'éjection de la batterie |
| 3 Régulateur de vitesse | 7 Buse du concentrateur |
| 4 Bouton d'éjection du tube | |

1.3 LISTE DU CONTENU DE L'EMBALLAGE

- | | |
|--------------|----------|
| 1 Souffleuse | 3 Buse |
| 2 Tube | 4 Manuel |

2 INSTRUCTIONS IMPORTANTES SUR LA SÉCURITÉ

Pour un usage ménager.

LISEZ TOUTES LES INSTRUCTIONS AVANT L'UTILISATION (CET OUTIL ÉLECTRIQUE)

▲ AVERTISSEMENT

Lisez et comprenez toutes les instructions avant d'utiliser ce produit. Le non-respect de ces avertissements et de ces instructions peut entraîner un choc électrique, un incendie et/ou des blessures graves. Quand vous utilisez un appareil électrique, vous devez toujours prendre les précautions de base suivantes :

- Utilisez uniquement comme de la façon décrite dans ce manuel. Utilisez uniquement les accessoires recommandés par le fabricant.
- Si l'appareil ne fonctionne pas comme il le devrait, s'il est tombé, s'il a été endommagé, laissé à l'extérieur ou s'il est tombé dans l'eau, retournez-le à un centre de service.
- N'utilisez pas l'appareil avec les mains mouillées.
- N'introduisez aucun objet dans les ouvertures. Veillez à ce qu'aucun objet ne se trouve dans l'orifice lors de l'utilisation de l'appareil; maintenir l'orifice dégagé de toute poussière, fibre, cheveux, ou de tout ce qui pourrait réduire la circulation de l'air.
- Gardez les cheveux, les vêtements amples, les doigts et toutes les parties du corps loin des ouvertures et des pièces mobiles.
- Soyez particulièrement prudent lorsque vous nettoyez les escaliers.
- N'utilisez pas les outils électriques dans un environnement explosif, par exemple en présence de liquides, gaz ou poussières inflammables. La mise en marche de l'outil crée des étincelles qui peuvent enflammer la poussière ou les vapeurs.
- Ne laissez jamais les enfants utiliser l'appareil. Ne permettez jamais à un adulte d'opérer la machine sans qu'il ait la formation nécessaire.
- Portez des pantalons longs, des souliers de travail et des gants épais. Évitez de porter des vêtements amples ou des bijoux qui pourraient se coincer dans les pièces mobiles.
- Ne forcez pas sur l'outil. Utilisez l'outil adapté à votre application. L'outil approprié fera mieux le travail et sera plus sécuritaire au rythme pour lequel il a été conçu.
- Tenez-vous bien campé et en équilibre. Ne vous penchez pas trop en avant. Si vous vous penchez trop en avant, vous pouvez perdre l'équilibre.
- N'utilisez pas l'outil si l'interrupteur ne le met pas en marche ou à l'arrêt. Tout outil qui ne peut pas être contrôlé avec l'interrupteur est dangereux et doit être réparé.
- N'utilisez pas cet appareil si vous êtes fatigué, malade ou sous l'influence de l'alcool, de drogues ou de médicaments.
- N'utilisez pas la machine lorsque l'éclairage est insuffisant.
- N'utilisez pas cette machine pour ramasser des liquides inflammables ou combustibles, comme de l'essence, ni dans les endroits où ils peuvent être présents.
- Ne ramassez rien qui brûle ou qui fume, comme des cigarettes, des allumettes ou des cendres chaudes.
- N'utilisez pas l'appareil sans le sac à poussière ou les filtres installés (le cas échéant).
- Inspectez la zone de travail avant chaque utilisation. Enlevez tous les objets tels que les pierres, le verre brisé, les clous, les fils ou les ficelles qui peuvent être jetés ou s'emmêler dans la machine.
- Utilisez uniquement des pièces de rechange et des accessoires identiques du fabricant. L'utilisation d'autres pièces peut créer un danger ou endommager le produit.

- Pour réduire le risque de choc électrique - Ne pas exposer à la pluie - Entreposer à l'intérieur.
- Utilisez seulement avec BAB726 et autres blocs-batteries BAB.
- Utilisez seulement avec 2901402 et autres chargeurs CAB.

3 OUTILS FONCTIONNANT SUR BATTERIE

- N'utilisez pas cet appareil fonctionnant sur batterie sous la pluie.
- Désactivez toutes les commandes avant de retirer la batterie.
- Rechargez uniquement avec le chargeur spécifié par le fabricant. Un chargeur adapté à un type de bloc-batterie peut créer un risque d'incendie lorsqu'il est utilisé avec un autre bloc-batterie.
- Utilisez uniquement le chargeur fourni par le fabricant pour recharger.
- Utilisez les appareils uniquement avec des bloc-batteries spécialement conçus à cet effet. L'utilisation de tous autres bloc-batteries peut créer un risque de blessure et d'incendie.
- Évitez tout démarrage accidentel. Assurez-vous que l'interrupteur est en position d'arrêt avant de brancher la batterie, de soulever ou de transporter l'appareil. Portez un outil électrique avec le doigt sur l'interrupteur ou brancher un outil dont l'interrupteur est en position de marche peut causer un accident.
- Retirez le bloc-batterie de l'outil électrique avant d'effectuer des réglages, de changer des accessoires ou de ranger l'outil électrique. De telles mesures de sécurité préventives réduisent le risque d'un démarrage accidentel de l'outil électrique.
- Lorsque le bloc-batterie n'est pas utilisé, éloignez-le des autres objets métalliques tels qu'attaches trombones, pièces de monnaie, clés, clous, vis ou autres petits objets métalliques qui peuvent établir une connexion d'une borne à une autre. Le court-circuitage des bornes de la batterie peut provoquer des brûlures ou un incendie.
- Dans des conditions abusives, du liquide peut être éjecté de la batterie; évitez tout contact. En cas de contact accidentel, rincez avec de l'eau. En cas de contact avec les yeux, consultez également un médecin. Le liquide s'échappant des batteries peut causer des irritations ou des brûlures.
- N'incinerez pas l'appareil même s'il est extrêmement endommagé. Les batteries peuvent exploser dans le feu.
- N'utilisez pas un bloc-batterie ou un appareil endommagé ou modifié. Les batteries endommagées ou modifiées peuvent présenter un fonctionnement imprévisible et provoquer un incendie, une explosion ou un risque de blessure.
- N'exposez pas un bloc-batterie ou un appareil à un feu ou à une température excessive. L'exposition au feu ou une température supérieure à 130°C (265°F) peut provoquer une explosion.

- Faites effectuer l'entretien par un réparateur qualifié en n'utilisant que des pièces de rechange identiques. Cela garantira le maintien de la sécurité du produit.
- Ne modifiez pas ou n'essayez pas de réparer l'appareil ou la batterie (selon le cas) sauf en conformité avec les instructions d'utilisation et d'entretien indiquées dans ce manuel.
- Suivez toutes les instructions de recharge et ne rechargez pas le bloc-batterie ou l'appareil en dehors de la plage de température spécifiée dans ces instructions. Un rechargement incorrect ou à des températures en dehors de la plage spécifiée peut endommager la batterie et augmenter le risque d'incendie.

4 SÉCURITÉ DES ENFANTS


Des accidents tragiques peuvent se produire si l'opérateur n'est pas au courant de la présence des enfants.

- Éloignez les enfants de la zone de travail et placez-les sous la surveillance d'un adulte responsable.
- Ne laissez pas un enfant de moins de 14 ans utiliser cette machine. Les enfants de 14 ans et plus doivent lire et comprendre les instructions d'utilisation et les règles de sécurité contenues dans ce manuel et doivent être formés et supervisés par un parent.
- Restez vigilant et éteignez la machine si un enfant ou une autre personne entre dans la zone de travail.
- Soyez extrêmement prudent lorsque vous vous approchez d'un angle mort, d'une porte, d'un arbuste, d'un arbre ou de tout autre objet qui pourrait masquer la vue d'un enfant qui pourrait se heurter à la machine.

5 CONSERVEZ CES INSTRUCTIONS

6 SYMBOLES FIGURANT SUR LA MACHINE

Certains des symboles suivants peuvent être utilisés sur cet outil. Veuillez les étudier et apprendre leur signification. Une bonne interprétation de ces symboles vous permettra de mieux utiliser l'outil et de manière plus sécuritaire.

Symbole	Explication
V	Voltage
A	Courant
W	Puissance
min	Heure
/min	Tours, coups, vitesse périphérique, orbites, etc., par minute
	Courant direct

Symbole	Explication
	Lisez et comprenez toutes les instructions avant d'utiliser cette machine, et suivez tous les avertissements et les consignes de sécurité.
	Précautions destinées à assurer la sécurité.
	Portez un casque anti-bruit pendant l'utilisation de cet équipement.
	Portez toujours des lunettes de protection avec des protections latérales marquées conformément à la norme ANSI Z87.1 lorsque vous utilisez cet équipement.
	Ne pas exposer la machine à la pluie ou à l'humidité.
	Tenez tous les curieux à une distance d'au moins 15 m.
	Ne touchez pas le ventilateur lorsque vous utilisez cette machine.
	Si vous n'empêchez pas l'introduction des vêtements amples dans la prise d'air, vous risquez de vous blesser.
	Si vous ne gardez pas les cheveux longs loin de l'entrée d'air, vous risquez de vous blesser.
	Les lames rotatives de la roue peuvent causer des blessures graves.

7 NIVEAUX DE RISQUES

Les termes de mise en garde suivants et leur signification ont pour but d'expliquer les niveaux de risques associés à l'utilisation de ce produit.

SYM-BOLE	SIGNAL	SIGNIFICATION
	DANGER	Indique une situation dangereuse imminente qui, si elle n'est pas évitée, peut entraîner la mort ou des blessures graves.
	AVERTISSEMENT	Indique une situation potentiellement dangereuse qui, si elle n'est pas évitée, peut entraîner la mort ou des blessures graves.

SYM-BOLE	SIGNAL	SIGNIFICATION
	MISE EN GARDE	Indique une situation potentiellement dangereuse qui, si elle n'est pas évitée, pourrait causer des blessures mineures ou modérées.
	MISE EN GARDE	(Sans symbole d'alerte de sécurité) indique une situation pouvant entraîner des dommages matériels.

8 ÉLIMINATION DES BATTERIES SANS DANGER POUR L'ENVIRONNEMENT



Les matières toxiques et corrosives ci-dessous se trouvent dans les batteries utilisées dans cette machine : **Lithium-ion, une substance toxique.**

▲ AVERTISSEMENT

Éliminez toutes les substances toxiques d'une manière spécifiée afin de prévenir la contamination de l'environnement. Avant de jeter une batterie au lithium-ion endommagée ou usée, contactez votre agence locale d'élimination des déchets ou l'agence locale de protection de l'environnement pour obtenir des informations et des instructions spécifiques. Apportez les batteries à un centre local de recyclage ou d'élimination certifié pour l'élimination de batteries au lithium-ion.

▲ AVERTISSEMENT

Si la batterie se fend ou se brise, avec ou sans fuites, ne la rechargez pas et ne l'utilisez pas. Jetez-la et remplacez-la par une nouvelle batterie. **N'ESSAYEZ PAS DE LA RÉPARER !** Pour prévenir les blessures et les risques d'incendie, d'explosion ou de décharge électrique, et pour éviter tout dommage à l'environnement :

- Couvrez les bornes de la batterie avec du ruban adhésif résistant.
- **NE PAS** essayer d'enlever ou de détruire les composants de la batterie.
- **NE PAS** essayer d'ouvrir ou de réparer la batterie.
- En cas de fuite, les électrolytes rejetés sont corrosifs et toxiques. **NE laissez PAS** entrer la solution dans les yeux ou en contact avec la peau et ne l'avalez pas.
- **NE PAS** jeter vos batteries usagées dans votre poubelle à ordures ménagères.
- **N'incinerez PAS** les batteries.
- **NE LES** Mettez **PAS** dans un endroit où ils feront partie d'un site d'enfouissement de déchets ou d'un flux de déchets solides municipaux.
- Emmenez-les dans un centre de recyclage ou d'élimination certifié.

9 PROPOSITION 65

▲ AVERTISSEMENT

Ce produit contient un produit chimique connu dans l'état de Californie comme étant une cause de cancer, de malformations congénitales ou d'autres problèmes de reproduction. Certaines poussières produites par le ponçage mécanique, le sciage, le meulage, le perçage et d'autres activités de construction contiennent des produits chimiques connus pour causer le cancer, des malformations congénitales ou d'autres problèmes de reproduction. Voici quelques exemples de ces produits chimiques :

- Plomb provenant de peintures à base de plomb;
- Silice cristalline provenant de briques, de ciment et d'autres produits de maçonnerie;
- Arsenic et chrome provenant de bois traité chimiquement.

Votre risque d'exposition à ces produits chimiques varie selon la fréquence à laquelle vous faites ce type de travail. Pour réduire votre exposition à ces produits chimiques, travaillez dans un endroit bien ventilé et utilisez un équipement de sécurité approuvé, comme des masques anti-poussière spécialement conçus pour filtrer les particules microscopiques.

Conservez ces instructions.

10 INSTALLATION

10.1 DÉBALLER LA MACHINE

▲ AVERTISSEMENT

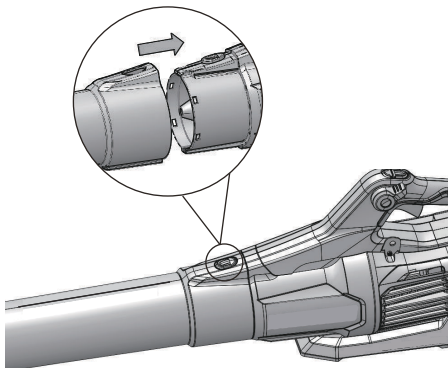
Assurez-vous d'assembler correctement la machine avant de l'utiliser.

▲ AVERTISSEMENT

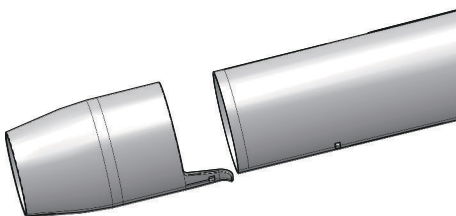
- Si les pièces de la machine sont endommagées, ne l'utilisez pas.
- Si vous n'avez pas toutes les pièces, n'utilisez pas la machine.
- Si des pièces sont endommagées ou manquantes, communiquez avec le centre de service.

1. Ouvrez l'emballage.
2. Lisez la documentation contenue dans la boîte.
3. Retirez toutes les pièces non assemblées de la boîte.
4. Retirez la machine de sa boîte.
5. Jetez la boîte et l'emballage conformément aux règlements locaux.

10.2 INSTALLEZ LE TUBE DE LA SOUFFLEUSE



1. Déplacez le tube jusqu'à ce que le bouton de verrouillage s'encliquette dans la fente.

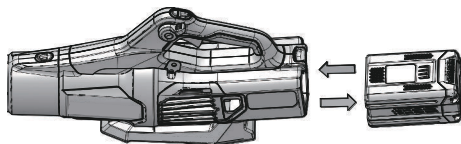


- Raccordez la buse au tube jusqu'à ce que le tube s'enclenche dans la buse.

i CONSEIL

Vous pouvez utiliser la buse pour augmenter le débit d'air dans les endroits restreints.

10.3 INSTALLER LE BLOC-BATTERIE



▲ AVERTISSEMENT

- Si le bloc-batterie ou le chargeur est endommagé, remplacez-le, au besoin.
- Arrêtez la machine et attendez que le moteur s'arrête avant d'installer ou de retirer le bloc-batterie.
- Lisez et comprenez les instructions du manuel du bloc-batterie et du chargeur.

1. Alignez les languettes du bloc-batterie avec les rainures du compartiment de batterie.
2. Poussez le bloc-batterie dans le compartiment de batterie jusqu'à ce qu'il soit bien encliqueté.
3. Vous devriez entendre un clic lorsque le bloc-batterie sera inséré correctement.

10.4 RETIRER LE BLOC-BATTERIE

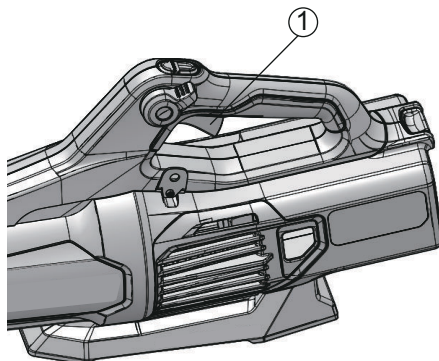
1. Poussez et maintenez enfoncé le bouton de déblocage de la batterie.
2. Retirez le bloc-batterie de la machine.

11 UTILISATION

▲ AVERTISSEMENT

Assurez-vous que le tube de la souffleuse est en place avant de l'utiliser.

11.1 DÉMARRER LA MACHINE

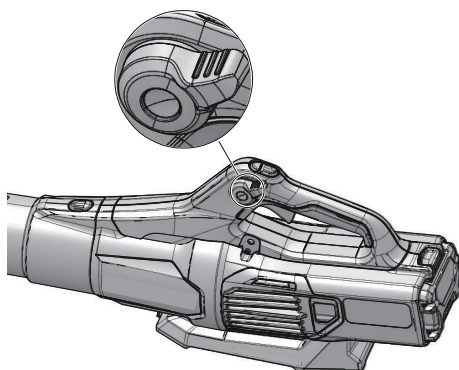


1. Appuyez sur la gâchette (1) pour démarrer la machine.
2. Appuyez sur la gâchette au maximum pour augmenter la vitesse.
3. Lâchez la gâchette pour réduire la vitesse.

11.2 ARRÊTER LA MACHINE

1. Lâchez la gâchette pour arrêter la machine.

11.3 LEVIER DE RÉGULATEUR DE VITESSE



1. Faites tourner le levier de régulateur de vitesse dans le sens des aiguilles d'une montre pour augmenter la vitesse. Ceci verrouillera la vitesse au réglage désiré.
2. Faites tourner le levier de régulateur de vitesse dans le sens contraire des aiguilles d'une montre pour réduire la vitesse.

i REMARQUE

Si vous diminuez la vitesse au minimum, l'appareil s'arrêtera et vous devrez relancer la machine.

11.4 BOUTON TURBO

- Appuyez sur le bouton Turbo pour faire fonctionner la machine à vitesse maximale.
- Relâchez le bouton Turbo pour faire fonctionner la machine à vitesse normale.

i REMARQUE

L'utilisation du bouton turbo décharge la batterie très rapidement. N'utilisez le bouton turbo qu'en cas de besoin.

11.5 CONSEILS SUR L'UTILISATION

- Soufflez sur le bord extérieur des matériaux indésirables pour éviter qu'ils ne se dispersent.
- Utilisez des râtaux et des balais pour éliminer les matières indésirables avant de souffler.
- Humidifiez les surfaces avant d'éliminer les matières indésirables dans les environnements poussiéreux.
- Surveillez les enfants, les animaux domestiques, ouvrez les fenêtres et les véhicules nettoyés pendant le fonctionnement.
- Nettoyez la machine.
- Débarrassez-vous matières indésirables lorsque vous avez terminé le travail.

12 ENTRETIEN

▲ ATTENTION

Évitez que les liquides de freins, l'essence et les matériaux à base de pétrole ne viennent en contact avec les pièces en plastique. Les produits chimiques peuvent endommager le plastique et le rendre inutilisable.

▲ ATTENTION

N'utilisez pas de solvants ou de détergents puissants sur le boîtier ou les composants en plastique.

▲ AVERTISSEMENT

Retirez la batterie de la machine avant l'entretien.

12.1 NETTOYEZ LA MACHINE

▲ ATTENTION

La machine doit être sèche. L'humidité peut provoquer des risques de chocs électriques.

- Enlevez les matières indésirables de l'évent d'air à l'aide d'un aspirateur.
- Ne vaporisez pas l'évent d'air et ne le plongez pas dans des solvants.
- Nettoyez le boîtier et les composants en plastique avec un chiffon doux et humide.

13 TRANSPORT ET ENTREPOSAGE

▲ AVERTISSEMENT

Retirez la batterie de la machine avant de la transporter et de l'entreposer.

13.1 DÉPLACEZ LA MACHINE

- Tenez la machine uniquement avec la poignée.

13.2 ENTREPOSEZ LA MACHINE

- Nettoyez la machine avant de l'entreposer.
- Assurez-vous que le moteur n'est pas chaud lorsque vous entreposez la machine.
- Assurez-vous que la machine n'a pas de pièces mal fixées ou endommagées. Au besoin, suivez ces étapes/instructions :
 - Remplacez les pièces endommagées.
 - Serrez les boulon.
 - Parlez à une personne d'un centre de service certifié.
- Entreposez la machine dans un endroit sec.
- Assurez-vous que les enfants ne peuvent pas s'approcher de la machine.

14 DÉPANNAGE

PROBLÈME	CAUSE POSSIBLE	SOLUTION
Le moteur ne démarre pas lorsque vous appuyez sur la gâchette.	La batterie n'est pas correctement installée.	Assurez-vous que la batterie est correctement installée dans la machine.
	Le bloc-batterie est déchargé.	Rechargez le bloc-batterie.
La machine ne démarre pas.	L'interrupteur d'alimentation est défectueux.	Faites remplacer les pièces défectueuses par un centre de service certifié.
	Le moteur est défectueux.	
	La carte de circuit imprimé est défectueuse.	
L'air ne circule pas dans le tube lorsque vous démarrez la machine.	L'entrée d'air ou la sortie du tube est obstruée.	Éliminez le blocage.

15 DONNÉES TECHNIQUES

Voltage	80 V
---------	------

Volume d'air	650 pi ³ /min
Vitesse indiquée	155 mi/h (249.4 km/h)
Poids (sans batterie)	5.3 lb. (2.4 kg)
Batterie (modèle)	BAB726 et autres séries BAB
Chargeur (modèle)	2901402 et autres séries CAB

La plage de température ambiante recommandée :

Article	Température
Plage de température d'entreposage de la souffleuse	32°F (0°C) - 113°F (45°C)
Plage de température de fonctionnement de la souffleuse	32°F (0°C) - 113°F (45°C)
Plage de température de rechargement de la batterie	39°F (4°C) - 104°F (40°C)
Plage de température de fonctionnement du chargeur	39°F (4°C) - 104°F (40°C)
Plage de température d'entreposage de la batterie	32°F (0°C) - 113°F (45°C)
Plage de température de déchargement de la batterie	32°F (0°C) - 113°F (45°C)

- L'appareil, s'il n'a pas été utilisé et/ou entretenu conformément au manuel du propriétaire; ou
- Usure normale;
- Articles d'entretien courant tels que lubrifiants, affûtage des lames;
- Détérioration normale du fini extérieur due à l'utilisation ou à l'exposition.

ASSISTANCE TÉLÉPHONIQUE :

Le service de garantie est disponible en appelant notre ligne d'assistance téléphonique sans frais, au 1-855-345-3934.

FRAIS DE TRANSPORT :

Les frais de transport pour le déplacement de tout équipement motorisé ou accessoire sont à la charge de l'acheteur. Il incombe à l'acheteur de payer les frais de transport pour toute pièce retournée pour remplacement en vertu de la présente garantie, à moins qu'un tel retour soit demandé par écrit par Greenworks.

Adresse aux États-Unis : Adresse au Canada :

Greenworks Tools	Greenworks Tools Canada Inc.
P.O. Box 1238	P.O. Box 93095, Newmarket, Ontario
Mooresville, NC 28115	L3Y 8K3

16 GARANTIE LIMITÉE

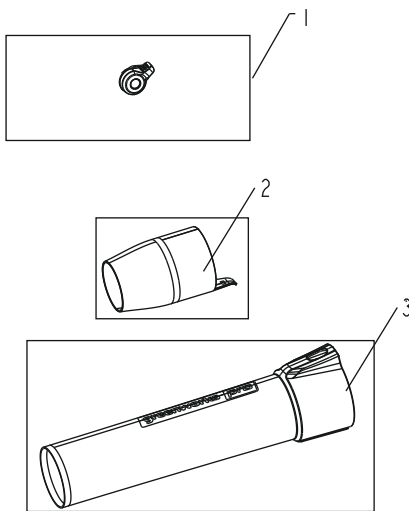


Greenworks garantit par la présente ce produit, à l'acheteur original avec preuve d'achat, pour une période de quatre (4) ans contre tout défaut de matériaux, de pièces ou de main-d'œuvre. Greenworks, à sa propre discrétion, réparera ou remplacera toutes les pièces défectueuses, dans des conditions normales d'utilisation, sans frais pour le client. Cette garantie n'est valable que pour les appareils qui ont été utilisés à des fins personnelles, qui n'ont pas été loués à des fins industrielles ou commerciales et qui ont été entretenus conformément aux instructions du manuel du propriétaire fourni avec le produit neuf.

ARTICLES NON COUVERTS PAR LA GARANTIE :

- Toute pièce qui est devenue inopérante en raison d'une mauvaise utilisation, d'une utilisation commerciale, d'un abus, d'une négligence, d'un accident, d'un entretien inapproprié ou d'une modification; ou

17 VUE ÉCLATÉES



No	No de pièce	Qté	Description
1	R0201908-00	1	Ensemble du régulateur de vitesse

No	No de pièce	Qté	Description
2	R0201909-00	1	Buse du concentrateur
3	R0201910-00	1	Tube de la souffleuse

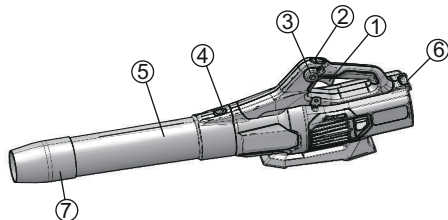
1	Descripción.....	21			
1.1	Finalidad.....	21	10.3	Instalación de la batería.....	24
1.2	Perspectiva general.....	21	10.4	Retirada de la batería.....	25
1.3	Lista de embalaje.....	21	11	Funcionamiento.....	25
2	Instrucciones importantes de seguridad.....	21	11.1	Puesta en marcha de la máquina.....	25
3	Herramientas eléctricas a batería..	22	11.2	Detención de la máquina.....	25
4	Seguridad infantil.....	22	11.3	Palanca de control de crucero.....	25
5	Conserve estas instrucciones.....	22	11.4	Botón turbo.....	25
6	Símbolos en el producto.....	22	11.5	Consejos de funcionamiento.....	25
7	Niveles de riesgo.....	23	12	Mantenimiento.....	26
8	Eliminación de batería segura para el medio ambiente.....	23	12.1	Limpeza de la máquina.....	26
9	Propuesta 65.....	24	13	Transporte y almacenamiento.....	26
10	Instalación.....	24	13.1	Traslado de la máquina.....	26
10.1	Desembalaje de la máquina.....	24	13.2	Almacenamiento de la máquina.....	26
10.2	Instalación del tubo soplador.....	24	14	Solución de problemas.....	26
			15	Datos técnicos.....	26
			16	Garantía limitada.....	27
			17	Vista despiezada.....	27

1 DESCRIPCIÓN

1.1 FINALIDAD

La máquina se utiliza para expulsar aire por un tubo para mover materiales no deseados, como hojas en el patio. Algunas máquinas también aspiran hojas y ramitas mediante vacío y las trituran en una bolsa.

1.2 PERSPECTIVA GENERAL



- | | |
|--------------------------------|-------------------------------------|
| 1 Gatillo | 5 Tubo |
| 2 Botón turbo | 6 Botón de desbloqueo de la batería |
| 3 Control de crucero | 7 Boquilla concentradora |
| 4 Botón de desbloqueo del tubo | |

1.3 LISTA DE EMBALAJE

- | | |
|------------|------------|
| 1 Soplador | 3 Boquilla |
| 2 Tubo | 4 Manual |

2 INSTRUCCIONES IMPORTANTES DE SEGURIDAD

Para uso doméstico.

LEA TODAS LAS INSTRUCCIONES ANTES DEL USO (DE ESTA HERRAMIENTA ELÉCTRICA)

▲ AVISO

Debe leer y entender todas las instrucciones antes de utilizar este producto. El incumplimiento de las instrucciones indicadas a continuación puede provocar descargas eléctricas, incendios o lesiones personales graves. Cuando utilice un aparato eléctrico, deben seguirse siempre precauciones básicas, incluidas las siguientes:

- No utilice sobre superficies húmedas.
- No cargue la unidad en exteriores.
- No deje que se utilice como un juguete. Es necesario prestar mucha atención cuando es utilizado por niños o cerca de estos.
- Utilice únicamente como se describe en este manual. Utilice únicamente los accesorios recomendados por el fabricante.
- Si el aparato no funciona como debería, se ha caído, ha sufrido daños, se ha dejado al aire libre o se ha caído al agua, llévelo a un centro de servicio.
- No maneje el aparato con las manos mojadas.
- No introduzca ningún objeto por las aberturas. No lo utilice con una abertura obstruida; manténgalo libre de polvo, pelusas, pelos y cualquier cosa que pueda reducir el flujo de aire.
- Mantenga el cabello, la ropa suelta, los dedos y todas las partes del cuerpo lejos de las aberturas y de las piezas móviles.
- Tenga especial cuidado al limpiar escaleras.
- No utilice herramientas eléctricas en una atmósfera explosiva, como en la presencia de líquidos, gases o polvo que puedan inflamarse. Las herramientas eléctricas generan chispas que pueden encender el polvo o los gases.
- Nunca permita que los niños utilicen el equipo. Nunca permita que utilicen el equipo adultos sin la debida instrucción.
- Lleve pantalones largos y gruesos, botas y guantes. Evite prendas sueltas o joyas que puedan engancharse en las piezas móviles de la máquina o su motor.
- No fuerce la herramienta. Utilice la herramienta correcta para su aplicación. La herramienta correcta hará el trabajo mejor y con mayor seguridad a la velocidad para la que se diseñó.
- Mantenga una posición firme y el equilibrio. No se estire. Estirarse en exceso puede hacer que pierda el equilibrio.
- No utilice la herramienta si el interruptor no la enciende o la apaga. Cualquier herramienta que no pueda controlarse con el interruptor es peligrosa y debe repararse.
- No utilice esta unidad cuando esté cansado, enfermo o bajo la influencia de alcohol, drogas o medicamentos.
- No utilice en condiciones de poca iluminación.
- No utilice el aparato para recoger líquidos inflamables o combustibles, como gasolina, ni lo utilice en zonas donde estos líquidos puedan estar presentes.
- No recoja nada que esté ardiendo o eche humo, como cigarrillos, cerillas o cenizas calientes.
- No utilice sin la bolsa para el polvo o los filtros en su posición (si corresponde).
- Compruebe la zona de trabajo antes de cada uso. Retire todos los objetos, como piedras, trozos de cristal, clavos, alambres o cuerdas que puedan salir despedidos o enredarse en la máquina.
- Utilice únicamente accesorios y piezas de repuesto idénticos del fabricante. El uso de cualquier otra pieza puede generar un riesgo o producir daños en el producto.
- Para reducir el riesgo de descarga eléctrica – No exponga a la lluvia – Almacene en interior.
- Utilice únicamente con BAB726 y otras baterías BAB.
- Utilice únicamente con 2901402 y otros cargadores CAB.

3 HERRAMIENTAS ELÉCTRICAS A BATERÍA

- No utilice un aparato a batería bajo la lluvia.
- Apague todos los controles antes de retirar la batería.
- Recargue solo con el cargador especificado por el fabricante. Un cargador adecuado para un tipo de batería puede dar lugar a un riesgo de incendio cuando se usa con otra batería.
- Utilice únicamente el cargador suministrado por el fabricante para recargar.
- Utilice los aparatos únicamente con las baterías designadas específicamente. El uso de cualquier otra batería puede dar lugar a un riesgo de lesiones e incendio.
- Evite el arranque accidental. Asegúrese de que el interruptor esté en la posición de apagado antes de conectar a la batería y al coger o transportar el aparato. El transporte de una herramienta eléctrica con el dedo en el interruptor o la conexión de una herramienta eléctrica que tiene el interruptor activado fomenta los accidentes.
- Desconecte la batería de la herramienta eléctrica antes de realizar ajustes, cambiar accesorios o almacenar la herramienta eléctrica. Estas medidas de seguridad preventivas reducen el riesgo de que la herramienta eléctrica se arranque accidentalmente.
- Cuando la batería no esté en uso, manténgala alejada de otros objetos metálicos como clips, monedas, llaves, clavos, tornillos u otros objetos metálicos pequeños que puedan hacer una conexión entre los terminales. El cortocircuito de los terminales de la batería puede provocar quemaduras o un incendio.
- Bajo condiciones abusivas, es posible que salga líquido despedido de la batería; evite el contacto. Si se produce un contacto accidental, aclare con agua. Si el líquido entra en contacto con los ojos, acuda también al médico. El líquido despedido de la batería puede provocar irritación o quemaduras.
- No incinere el aparato aunque esté gravemente dañado. Las baterías pueden explotar en un incendio.
- No utilice una batería o un aparato que haya sufrido daños o modificaciones. Las baterías dañadas o modificadas pueden exhibir un comportamiento impredecible que puede dar lugar a un incendio, una explosión o un riesgo de lesiones.
- No exponga una batería o un aparato al fuego ni a temperaturas excesivas. La exposición al fuego o a una temperatura superior a 265°F (130°C) puede provocar una explosión.
- Solicite a un técnico de reparación cualificado que realice las tareas de servicio utilizando únicamente piezas de repuesto idénticas. Esto garantizará el mantenimiento de la seguridad del producto.
- No modifique ni intente reparar el aparato o la batería (según corresponda), excepto lo indicado en las instrucciones de uso y cuidado.
- Siga todas las instrucciones de carga y no cargue la batería o el aparato fuera del intervalo de temperatura especificado en las instrucciones. La carga incorrecta o a

temperaturas fuera del intervalo especificado puede dañar la batería y aumentar el riesgo de incendio.

4 SEGURIDAD INFANTIL




Pueden producirse accidentes trágicos si el operario no es consciente de la presencia de niños.








- Mantenga a los niños fuera de la zona de trabajo y bajo la vigilancia de un adulto responsable.
- No permita que niños menores de 14 años utilicen esta herramienta. Los niños de 14 años y mayores deben leer y entender las instrucciones de funcionamiento y las normas de seguridad que se encuentran en este manual y deben recibir formación y supervisión por parte de uno de sus progenitores.
- Manténgase alerta y apague el aparato si un niño o cualquier otra persona entra en la zona de trabajo.
- Tenga mucho cuidado al acercarse a esquinas ciegas, portales, arbustos, árboles u otros objetos que puedan ocultar su visión de un niño que pueda correr hacia el recorrido del aparato.

5 CONSERVE ESTAS INSTRUCCIONES

6 SÍMBOLOS EN EL PRODUCTO




En esta herramienta pueden utilizarse algunos de los siguientes símbolos. Le rogamos que los estudie y aprenda su significado. La interpretación correcta de estos símbolos le permitirá manejar la herramienta mejor y de manera más segura.

Símbolo	Explicación
V	Tensión
A	Corriente
W	Potencia
min	Tiempo
/min	Revoluciones, carreras, velocidad de superficie, órbitas, etc., por minuto
— — —	Corriente continua
	Debe leer y entender todas las instrucciones antes de manejar el producto, así como seguir todas las advertencias e instrucciones de seguridad.
	Precauciones que afectan a su seguridad.
	Lleve protección auditiva cuando utilice este equipo.

Símbolo	Explicación
	Lleve siempre protección ocular con protectores laterales marcada para cumplir la ANSI Z87.1 cuando utilice este equipo.
	No exponga el producto a la lluvia o a condiciones de humedad.
	Mantenga a los transeúntes al menos a 15 m.
	No toque el ventilador cuando utilice la máquina.
	Si no evita que la ropa suelta se introduzca en la entrada de aire, podrían producirse lesiones personales.
	Si no se mantiene el cabello largo lejos de la entrada de aire, podrían producirse lesiones personales.
	Las palas giratorias del rotor pueden producir lesiones graves.

7 NIVELES DE RIESGO

Las siguientes indicaciones y significados tienen como fin explicar los niveles de riesgo asociados a este producto.

SÍMBOLO	INDICACIÓN	SIGNIFICADO
	PELIGRO	Indica una situación de peligro inminente que, de no evitarse, provocará lesiones graves o incluso la muerte.
	ADVERTENCIA	Indica una situación de peligro potencial que, de no evitarse, podría provocar lesiones graves o incluso la muerte.
	PRECAUCIÓN	Indica una situación de peligro potencial que, de no evitarse, puede provocar lesiones leves o moderadas.
	PRECAUCIÓN	(Sin símbolo de alerta sobre seguridad) Indica una situación que puede provocar daños materiales.

8 ELIMINACIÓN DE BATERÍA SEGURA PARA EL MEDIO AMBIENTE



Los materiales tóxicos y corrosivos que figuran a continuación se encuentran en las baterías utilizadas en esta máquina: **Ion de litio, un material tóxico.**

▲ AVISO

Deseche todos los materiales tóxicos de una manera especificada para evitar la contaminación del medio ambiente. Antes de desechar una batería de ion de litio dañada o agotada, contacte con la agencia local de eliminación de residuos o con la agencia de protección ambiental local para obtener información e instrucciones específicas. Lleve las baterías a un centro de reciclaje o eliminación local, certificado para la eliminación de ion de litio.

▲ AVISO

Si la batería se agrieta o se rompe, con o sin fugas, no la recargue ni la utilice. Deséchela y sustitúyala por una batería nueva. **¡NO INTENTE REPARARLA!** Para evitar lesiones y riesgos de incendio, explosión o descarga eléctrica, y para evitar daños al medio ambiente:

- Cubra los terminales de la batería con cinta adhesiva resistente.
- NO intente retirar o destruir ninguno de los componentes de la batería.
- NO intente abrir la batería.
- Si se produce una fuga, los electrolitos liberados son corrosivos y tóxicos. NO deje que la solución entre en contacto con los ojos o la piel, y no la ingiera.
- NO deseche estas baterías con la basura doméstica normal.
- NO incinere.
- NO lleve las baterías a lugares donde formarán parte de vertederos de residuos o flujos de residuos sólidos urbanos.
- Llévelas a un centro de reciclaje o eliminación certificado.

9 PROPUESTA 65

▲ AVISO

Este producto contiene una sustancia química conocida en el estado de California como causante de cáncer, defectos de nacimiento u otros daños reproductivos. El polvo generado por el lijado eléctrico, el serrado, el esmerilado, la perforación y otras actividades de construcción contiene sustancias químicas que se sabe que son causantes de cáncer, defectos de nacimiento u otros daños reproductivos. Algunos ejemplos de estas sustancias químicas son:

- Plomo de pinturas con base de plomo;
- Sílice cristalina de ladrillos y cemento y otros productos de albañilería;
- Arsénico y cromo de la madera tratada químicamente.

El riesgo de exposición a estas sustancias químicas varía según la frecuencia con la que realice este tipo de trabajo. Para reducir su exposición a estas sustancias químicas, trabaje en una zona bien ventilada y trabaje con equipos de seguridad aprobados, como máscaras antipolvo, que estén especialmente diseñadas para filtrar partículas microscópicas.

Conserve estas instrucciones.

10 INSTALACIÓN

10.1 DESEMBALAJE DE LA MÁQUINA

▲ AVISO

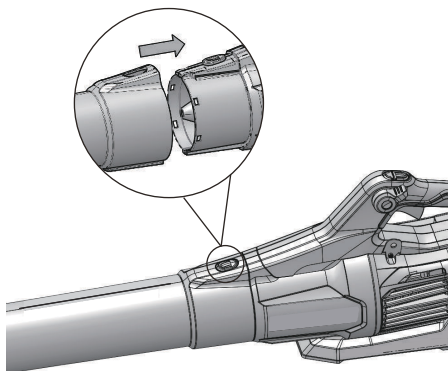
Asegúrese de montar correctamente la máquina antes del uso.

▲ AVISO

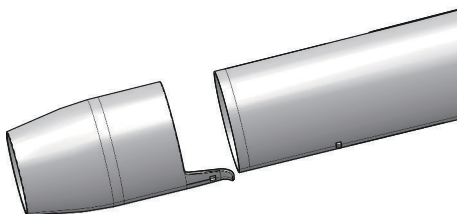
- Si las piezas de la máquina presentan daños, no utilice la máquina.
- Si no tiene todas las piezas, no utilice la máquina.
- Si faltan piezas o hay piezas dañadas, contacte con el centro de servicio.

1. Abra el embalaje.
2. Lea la documentación que se proporciona en la caja.
3. Retire todas las piezas sin montar de la caja.
4. Retire la máquina de la caja.
5. Deseche la caja y el material de embalaje de conformidad con los reglamentos locales.

10.2 INSTALACIÓN DEL TUBO SOPLADOR



1. Mueva el tubo hasta que el botón de desbloqueo del tubo se acople en la ranura.

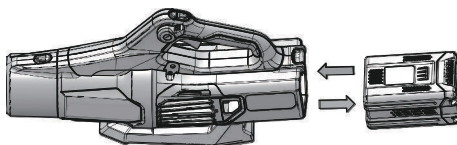


2. Conecte la boquilla en el tubo hasta que el tubo se bloquee en la boquilla.

¡ SUGERENCIA

Puede utilizar la boquilla para aumentar el flujo de aire en zonas estrechas.

10.3 INSTALACIÓN DE LA BATERÍA



▲ AVISO

- Si la batería o el cargador ha sufrido daños, sustituya la batería o el cargador.
- Detenga la máquina y espere hasta que el motor se pare antes de instalar o retirar la batería.
- Debe leer y entender las instrucciones del manual de la batería y el cargador.

1. Alinee las nervaduras de elevación de la batería con las ranuras del compartimento de la batería.
2. Introduzca la batería en el compartimento de la batería hasta que encaje en su posición.
3. Cuando escuche un clic, la batería está instalada.

10.4 RETIRADA DE LA BATERÍA

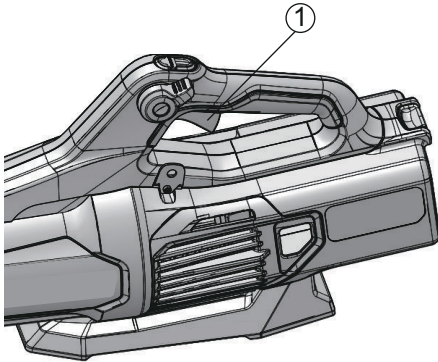
1. Pulse y mantenga pulsado el botón de desbloqueo de la batería.
2. Retire la batería de la máquina.

11 FUNCIONAMIENTO

▲ AVISO

Asegúrese de que el tubo soplador esté en posición antes del funcionamiento.

11.1 PUESTA EN MARCHA DE LA MÁQUINA

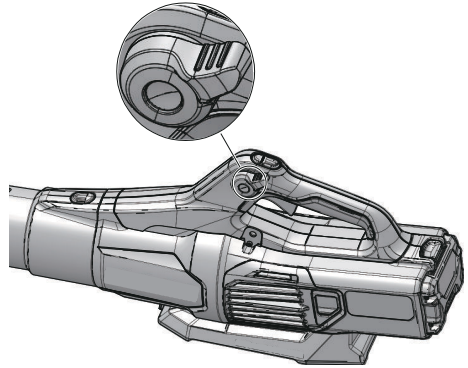


1. Apriete el gatillo (1) para poner en marcha la máquina.
2. Apriete el gatillo a fondo para aumentar la velocidad.
3. Suelte el gatillo para disminuir la velocidad.

11.2 DETENCIÓN DE LA MÁQUINA

1. Suelte el gatillo para detener la máquina.

11.3 PALANCA DE CONTROL DE CRUCERO



1. Tire de la palanca de control de crucero en sentido horario para aumentar la velocidad. Esto bloqueará la velocidad en el ajuste deseado.
2. Empuje la palanca de control de crucero en sentido antihorario para disminuir la velocidad.

i NOTA

Si disminuye la velocidad del todo, la unidad se detendrá y es necesario volver a poner en marcha la máquina.

11.4 BOTÓN TURBO

1. Pulse el botón turbo, la máquina está a la velocidad más alta.
2. Suelte el botón turbo, la máquina está a la velocidad normal.

i NOTA

La utilización del botón turbo agota la batería más rápidamente. Utilice únicamente el botón turbo cuando sea necesario.

11.5 CONSEJOS DE FUNCIONAMIENTO

- Sople alrededor del borde exterior de los materiales no deseados para evitar que estos se dispersen.
- Utilice rastrillos y escobas para quitar el material no deseado antes de soplar.
- Humedezca las superficies antes de quitar el material no deseado en condiciones de polvo.
- Tenga cuidado con los niños, las mascotas, las ventanas abiertas y los coches limpios durante el funcionamiento.
- Limpie la máquina.
- Deseche el material no deseado cuando finalice el trabajo.

12 MANTENIMIENTO

▲ PRECAUCIÓN

No permita que líquidos de frenos, gasolina y otros derivados del petróleo toquen las piezas de plástico. Las sustancias químicas pueden dañar el plástico y hacer que quede inservible.

▲ PRECAUCIÓN

No utilice disolventes o detergentes fuertes en la carcasa o los componentes de plástico.

▲ AVISO

Retire la batería de la máquina antes de realizar tareas de mantenimiento.

12.1 LIMPIEZA DE LA MÁQUINA

▲ PRECAUCIÓN

La máquina debe estar seca. La humedad supone un riesgo de descargas eléctricas.

- Quite el material no deseado del respiradero con un aspirador.
- No pulverice el respiradero ni lo introduzca en disolventes.
- Limpie la carcasa y los componentes de plástico con un paño húmedo y suave.

13 TRANSPORTE Y ALMACENAMIENTO

▲ AVISO

Retire la batería de la máquina antes del transporte y el almacenamiento.

13.1 TRASLADO DE LA MÁQUINA

- Sujete la máquina únicamente por la empuñadura.

13.2 ALMACENAMIENTO DE LA MÁQUINA

- Limpie la máquina antes del almacenamiento.
- Asegúrese de que el motor no esté caliente cuando almacene la máquina.
- Asegúrese de que la máquina no tenga piezas sueltas o dañadas. Si es necesario, siga estos pasos/estas instrucciones:
 - Sustituya las piezas dañadas.
 - Apriete los pernos.
 - Hable con una persona de un centro de servicio aprobado.
- Almacene la máquina en una zona seca.

- Asegúrese de que los niños no puedan acercarse a la máquina.

14 SOLUCIÓN DE PROBLEMAS

PROBLEMA	POSIBLE CAUSA	SOLUCIÓN
El motor no se pone en marcha cuando aprieta el gatillo.	La batería no se ha instalado bien.	Asegúrese de que ha instalado bien la batería en la máquina.
	La batería se ha agotado.	Cargue la batería.
La máquina no se pone en marcha.	El interruptor de encendido está defectuoso.	Las piezas defectuosas deben ser sustituidas por un centro de servicio autorizado.
	El motor está defectuoso.	
	La placa de circuitos impresos está defectuosa.	
El aire no fluye por el tubo cuando pone en marcha la máquina.	La entrada de aire o la salida del tubo tiene una obstrucción.	Elimine la obstrucción.

15 DATOS TÉCNICOS

Tensión	80 V
Volumen de aire	650 CFM
Velocidad de aire	155 MPH (249.4 km/h)
Peso (sin batería)	5.3 lbs. (2.4 kg)
Modelo de batería	BAB726 y otras series BAB
Modelo de cargador	2901402 y otras series CAB

El intervalo de temperatura ambiente recomendado:

Elemento	Temperatura
Intervalo de temperatura de almacenamiento del soplador	32°F (0°C) - 113°F (45°C)
Intervalo de temperatura de funcionamiento del soplador	32°F (0°C) - 113°F (45°C)
Intervalo de temperatura de carga de la batería	39°F (4°C) - 104°F (40°C)
Intervalo de temperatura de funcionamiento del cargador	39°F (4°C) - 104°F (40°C)
Intervalo de temperatura de almacenamiento de la batería	32°F (0°C) - 113°F (45°C)

Elemento	Temperatura
Intervalo de temperatura de descarga de la batería	32°F (0°C) - 113°F (45°C)

Greenworks Tools Greenworks Tools Canada Inc.
 P.O. Box 1238 P.O. Box 93095, Newmarket,
 Ontario
 Mooresville, NC 28115 L3Y 8K3

16 GARANTÍA LIMITADA



Por la presente Greenworks garantiza este producto, al comprador original con el comprobante de compra, durante un periodo de cuatro (4) años frente a defectos en materiales, piezas o mano de obra. A su entera discreción Greenworks reparará o sustituirá cualquiera y todas las piezas que resulten ser defectuosas, con un uso normal, sin coste alguno para el cliente. Esta garantía es válida únicamente para unidades que se hayan utilizado para uso personal que no han sido arrendadas o alquiladas para uso industrial/comercial y cuyo mantenimiento se ha realizado de acuerdo con las instrucciones del manual del propietario suministrado con el producto nuevo.

ARTÍCULOS NO CUBIERTOS POR LA GARANTÍA:

1. Cualquier pieza que no funcione debido a mal uso, uso comercial, abuso, negligencia, accidente, mantenimiento inadecuado o alteración; o
2. La unidad, si no ha sido utilizada o mantenida de acuerdo con el manual del propietario; o
3. Desgaste normal;
4. Artículos de mantenimiento de rutina tales como lubricantes, afilado de cuchillas;
5. Deterioro normal del acabado exterior debido al uso o la exposición.

LÍNEA DE ASISTENCIA TELEFÓNICA:

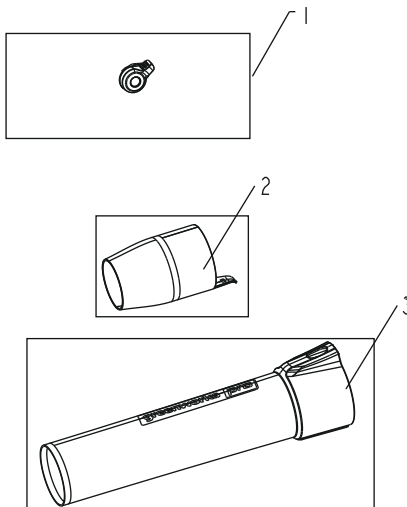
Puede contactar con el servicio de garantía llamando a nuestra línea de asistencia telefónica gratuita, a 1-855-345-3934.

COSTES DE TRANSPORTE:

Los costes de transporte por el desplazamiento de cualquier unidad o accesorio de equipos eléctricos son responsabilidad del comprador. Es responsabilidad del comprador pagar los costes de transporte de cualquier pieza enviada para su sustitución bajo esta garantía, a menos que dicha devolución sea solicitada por escrito por Greenworks.

Dirección en EE.UU.: **Dirección en Canadá:**

17 VISTA DESPIEZADA



Nº	Nº pieza	Ca nt.	Descripción
1	R0201908-00	1	Conjunto del control de crucero
2	R0201909-00	1	Boquilla concentradora
3	R0201910-00	1	Tubo soplador

