

# greenworks

PSPH24B210

P0803429-01 Rev B

EN	POLE HEDGE TRIMMER	OPERATOR MANUAL
FR	TAILLE-HAIE SUR TIGE	MANUEL OPÉRATEUR
ES	CORTASETOS TELESCÓPICO	MANUAL DEL OPERARIO



CKG360

[www.greenworkstools.com](http://www.greenworkstools.com)



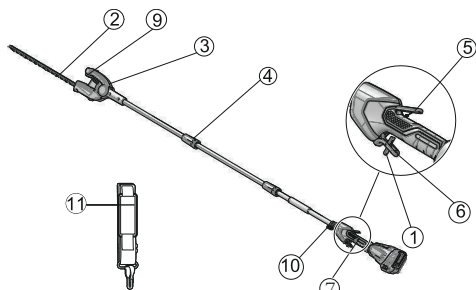
<b>1</b>	<b>Description.....</b>	<b>4</b>	<b>8</b>	<b>Environmentally safe battery disposal.....</b>	<b>7</b>
1.1	Purpose.....	4	<b>9</b>	<b>Unpack the machine.....</b>	<b>7</b>
1.2	Overview.....	4	9.1	Fit the hedge trimmer head.....	8
1.3	Packing list.....	4	9.2	Remove the hedge trimmer head.....	8
<b>2</b>	<b>General power tool safety warnings.....</b>	<b>4</b>	9.3	Install the battery pack.....	8
2.1	Work area safety.....	4	9.4	Remove the battery pack.....	8
2.2	Electrical safety.....	4	<b>10</b>	<b>Operation.....</b>	<b>8</b>
2.3	Personal safety.....	4	10.1	Start the machine.....	9
2.4	Power tool use and care.....	5	10.2	Stop the machine.....	9
2.5	Battery tool use and care.....	5	10.3	Adjust the trimmer head angle.....	9
2.6	Service.....	5	<b>11</b>	<b>Maintenance.....</b>	<b>9</b>
2.7	Hedge trimmer safety warnings.....	5	11.1	Clean the machine.....	9
2.8	Extended-reach hedge trimmer safety warnings.....	6	11.2	Lubricate the blade.....	10
<b>3</b>	<b>Proposition 65.....</b>	<b>6</b>	<b>12</b>	<b>Store the machine.....</b>	<b>10</b>
<b>4</b>	<b>Child safety.....</b>	<b>6</b>	<b>13</b>	<b>Troubleshooting.....</b>	<b>10</b>
<b>5</b>	<b>The recommended ambient temperature range:.....</b>	<b>6</b>	<b>14</b>	<b>Technical data.....</b>	<b>10</b>
<b>6</b>	<b>Symbols on the product.....</b>	<b>6</b>	<b>15</b>	<b>Limited warranty.....</b>	<b>10</b>
<b>7</b>	<b>Risk levels.....</b>	<b>7</b>	<b>16</b>	<b>Exploded view.....</b>	<b>11</b>

## 1 DESCRIPTION

### 1.1 PURPOSE

This machine is intended for cutting and trimming hedges and bushes in domestic use.

### 1.2 OVERVIEW



- |                            |                          |
|----------------------------|--------------------------|
| 1 Small safety lock button | 7 Rear handle            |
| 2 Blade                    | 8 Battery release button |
| 3 Hedge trimmer head       | 9 Pivoting button        |
| 4 Coupler                  | 10 Carrying ring         |
| 5 Safety lock button       | 11 Shoulder strap        |
| 6 Trigger                  |                          |

### 1.3 PACKING LIST

- |                           |               |
|---------------------------|---------------|
| 1 Pole hedge trimmer head | 4 Manual      |
| 2 Rear handle assembly    | 5 Blade cover |
| 3 Extension tube          |               |

## 2 GENERAL POWER TOOL SAFETY WARNINGS

### ▲ WARNING

Read all safety warnings, instructions, illustrations and specifications provided with this power tool. Failure to follow the warnings and instructions may result in electric shock, fire and/or serious injury.

Save all warnings and instructions for future reference.

The term "power tool" in the warnings refers to your mains-operated (corded) power tool or battery-operated (cordless) power tool.

### 2.1 WORK AREA SAFETY

- **Keep work area clean and well lit.** Cluttered or dark areas invite accidents.

- **Do not operate power tools in explosive atmospheres, such as in the presence of flammable liquids, gases or dust.** Power tools create sparks which may ignite the dust or fumes.
- **Keep children and bystanders away while operating a power tool.** Distractions can cause you to lose control.

### 2.2 ELECTRICAL SAFETY

- **Power tool plugs must match the outlet. Never modify the plug in any way. Do not use any adapter plugs with earthed (grounded) power tools.** Unmodified plugs and matching outlets will reduce risk of electric shock.
- **Avoid body contact with earthed or grounded surfaces, such as pipes, radiators, ranges and refrigerators.** There is an increased risk of electric shock if your body is earthed or grounded.
- **Do not expose power tools to rain or wet conditions.** Water entering a power tool will increase the risk of electric shock.
- **Do not abuse the cord. Never use the cord for carrying, pulling or unplugging the power tool. Keep cord away from heat, oil, sharp edges or moving parts.** Damaged or entangled cords increase the risk of electric shock.
- **When operating a power tool outdoors, use an extension cord suitable for outdoor use.** Use of a cord suitable for outdoor use reduces the risk of electric shock.
- **If operating a power tool in a damp location is unavoidable, use a RESIDUAL CURRENT DEVICE (RCD) protected supply.** Use of an RCD reduces the risk of electric shock.

### 2.3 PERSONAL SAFETY

- **Stay alert, watch what you are doing and use common sense when operating a power tool. Do not use a power tool while you are tired or under the influence of drugs, alcohol or medication.** A moment of inattention while operating power tools may result in serious personal injury.
- **Use personal protective equipment. Always wear eye protection.** Protective equipment such as a dust mask, non-skid safety shoes, hard hat or hearing protection used appropriately will reduce personal injuries.
- **Prevent unintentional starting. Ensure the switch is in the off position before connecting to power source and/or battery pack and when picking up or carrying the tool.** Carrying power tools with your finger on the switch or energizing power tools that have the switch on invites accidents.
- **Remove any adjusting key or wrench before turning the power tool on.** A wrench or a key left attached to a rotating part of the power tool may result in personal injury.
- **Do not over-reach. Keep proper footing and balance at all times.** This enables better control of the power tool in unexpected situations.

- If devices are provided for the connection of dust extraction and collection facilities, ensure these are connected and properly used. *Use of dust collection can reduce dust-related hazards.*
- Dress properly. Do not wear loose clothing or jewelry. Keep your hair, clothing and gloves away from moving parts. *Loose clothes, jewelry or long hair can be caught in moving parts.*
- If devices are provided for the connection of dust extraction and collection facilities, ensure these are connected and properly used. *Use of dust collection can reduce dust related hazards.*
- Do not let familiarity gained from frequent use of tools allow you to become complacent and ignore tool safety principles. *A careless action can cause severe injury within a fraction of a second.*

## 2.4 POWER TOOL USE AND CARE

- Do not force the power tool. Use the correct power tool for your application. *The correct power tool will do the job better and safer at the rate for which it was designed.*
- Do not use the power tool if the switch does not turn it on and off. *Any power tool that cannot be controlled with the switch is dangerous and must be repaired.*
- Disconnect the plug from the power source and/or remove the BATTERY pack, if detachable, from the power tool before making any adjustments, changing accessories, or storing power tools. *Such preventive safety measures reduce the risk of starting the power tool accidentally.*
- Store idle power tools out of the reach of children and do not allow persons unfamiliar with the power tool or these instructions to operate the power tool. *Power tools are dangerous in the hands of untrained users.*
- Maintain power tools and accessories. Check for misalignment or binding of moving parts, breakage of parts and any other condition that may affect the power tool's operation. *If damaged, have the power tool repaired before use. Many accidents are caused by poorly maintained power tools.*
- Keep cutting tools sharp and clean. *Properly maintained cutting tools with sharp cutting edges are less likely to bind and are easier to control.*
- Use the power tool, accessories and tool bits etc. in accordance with these instructions, taking into account the working conditions and the work to be performed. *Use of the power tool for operations different from those intended could result in a hazardous situation.*
- Keep handles and grasping surfaces dry, clean and free from oil and grease. *Slippery handles and grasping surfaces do not allow for safe handling and control of the tool in unexpected situations.*

## 2.5 BATTERY TOOL USE AND CARE

- Recharge only with the charger specified by the manufacturer. *A charger that is suitable for one type of*

*battery pack may create a risk of fire when used with another battery pack.*

- Use power tools only with specifically designated battery packs. *Use of any other battery packs may create a risk of injury and fire.*
- When battery pack is not in use, keep it away from other metal objects like paper clips, coins, keys, nails, screws, or other small metal objects that can make a connection from one terminal to another. *Shorting the battery terminals together may cause burns or fire.*
- Under abusive conditions, liquid may be ejected from the battery; avoid contact. *If contact accidentally occurs, flush with water. If liquid contacts eyes, additionally seek medical help. Liquid ejected from the battery may cause irritation or burns.*
- Do not use a battery pack or tool that is damaged or modified. *Damaged or modified batteries may exhibit unpredictable behavior resulting in fire, explosion or risk of injury.*
- Do not expose a battery pack or tool to fire or excessive temperature. *Exposure to fire or temperature above 130°C may cause explosion.*
- Follow all charging instructions and do not charge the battery pack or tool outside the temperature range specified in the instructions. *Charging improperly or at temperatures outside the specified range may damage the battery and increase the risk of fire.*

## 2.6 SERVICE

- Have your power tool serviced by a qualified repair person using only identical replacement parts. *This will ensure that the safety of the power tool is maintained.*
- Never service damaged battery packs. *Service of battery packs should only be performed by the manufacturer or authorized service providers.*

## 2.7 HEDGE TRIMMER SAFETY WARNINGS

- Keep all parts of the body away from the blade. Do not remove cut material or hold material to be cut when blades are moving. *Blades continue to move after the switch is turned off. A moment of inattention while operating the hedge trimmer may result in serious personal injury.*
- Carry the hedge trimmer by the handle with the blade stopped and taking care not to operate any power switch. *Proper carrying of the hedge trimmer will decrease the risk of inadvertent starting and resultant personal injury from the blades.*
- When transporting or storing the hedge trimmer, always fit the blade cover. *Proper handling of the hedge trimmer will decrease the risk of personal injury from the blades.*
- When clearing jammed material or servicing the unit, make sure all power switches are off and the power cord is disconnected. *Unexpected actuation of the hedge*

trimmer while clearing jammed material or servicing may result in serious personal injury.

- **Hold the hedge trimmer by insulated gripping surfaces only, because the blade may contact hidden wiring or its own cord.** *Blades contacting a "live" wire may make exposed metal parts of the hedge trimmer "live" and could give the operator an electric shock.*
- **Keep all power cords and cables away from cutting area.** *Power cords or cables may be hidden in hedges or bushes and can be accidentally cut by the blade.*
- **Do not use the hedge trimmer in bad weather conditions, especially when there is a risk of lightning.** *This decreases the risk of being struck by lightning.*

### 2.8 EXTENDED-REACH HEDGE TRIMMER SAFETY WARNINGS

- **To reduce the risk of electrocution, never use the extended-reach hedge trimmer near any electrical power lines.** *Contact with or use near power lines may cause serious injury or electric shock resulting in death.*
- **Always use two hands when operating the extended-reach hedge trimmer.** *Hold the extendedreach hedge trimmer with both hands to avoid loss of control.*
- **Always use head protection when operating the extended-reach hedge trimmer overhead.** *Falling debris can result in serious personal injury.*

## 3 PROPOSITION 65

### ▲ WARNING

This product contains a chemical known to the state of California to cause cancer, birth defects or other reproductive harm. Some dust created by power sanding, sawing, grinding, drilling, and other construction activities contains chemicals known to cause cancer, birth defects or other reproductive harm. Some examples of these chemicals are:

- Lead from lead-based paints;
- Crystalline silica from bricks and cement and other masonry products;
- Arsenic and chromium from chemically treated lumber.

Your risk of exposure to these chemicals varies depending on how often you do this type of work. To reduce your exposure to these chemicals, work in a well-ventilated area, and work with approved safety equipment, such as dust masks that are specially designed to filter out microscopic particles.

Save these instructions.

## 4 CHILD SAFETY

Tragic accidents can occur if the operator is not aware of the presence of children.





- Keep children out of the working area and under the watchful care of a responsible adult.
- Do not allow children under the age of 14 to operate this machine. Children who are 14 years of age and older must read and understand the operating instructions and safety rules in this manual and must be trained and supervised by a parent.
- Stay alert, and turn the machine off if a child or any other person enters the working area.
- Use extreme care when approaching blind corners, doorways, shrubs, trees, or other objects that may obscure your view of a child who may run into the path of the machine.







## 5 THE RECOMMENDED AMBIENT TEMPERATURE RANGE:

Item	Temperature
Appliance storage temperature range	32 °F (0 °C) ~ 113 °F (45 °C)
Appliance operation temperature range	32 °F (0 °C) ~ 113 °F (45 °C)
Battery charging temperature range	39 °F (4 °C) ~ 104 °F (40 °C)
Charger operation temperature range	39 °F (4 °C) ~ 104 °F (40 °C)
Battery storage temperature range	32 °F (0 °C) ~ 113 °F (45 °C)
Battery discharging temperature range	32 °F (0 °C) ~ 113 °F (45 °C)

## 6 SYMBOLS ON THE PRODUCT




Some of the following symbols may be used on this product. Please study them and learn their meaning. Proper interpretation of these symbols will allow you to operate the product better and safer.

Symbol	Explanation
	Precautions that involve your safety.
	Read and understand all instructions before operating the product, and follow all warnings and safety instructions.
	Always wear safety glasses with side shields marked to comply with ANSI Z87.1 when you operate this machine.
	Thrown objects can ricochet and result in personal injury or property damage. Wear protective clothing and boots.

Symbol	Explanation
	Wear non-slip, heavy duty gloves.
	Keep all bystanders at least 50 ft away.
	DANGER! Risk of electrocution! Keep tool 50 feet away from electrical lines. Keep all bystanders at least 50 ft. away.
	Do not expose the product to rain or moist conditions.
	Danger – keep hands and feet away from blade.
	Wear head protection.

## 7 RISK LEVELS

The following signal words and meanings are intended to explain the levels of risk associated with this product.

SYMBOL	SIGNAL	MEANING
	DANGER	Indicates an imminently hazardous situation, which, if not avoided, will result in death or serious injury.
	WARNING	Indicates a potentially hazardous situation, which, if not avoided, could result in death or serious injury.
	CAUTION	Indicates a potentially hazardous situation, which, if not avoided, may result in minor or moderate injury.
	CAUTION	(Without Safety Alert Symbol) Indicates a situation that may result in property damage.

## 8 ENVIRONMENTALLY SAFE BATTERY DISPOSAL



The toxic and corrosive materials below are in the batteries used in this machine: **Lithium-Ion, a toxic material.**

### ▲ WARNING

Discard all toxic materials in a specified manner to prevent contamination of the environment. Before discarding damaged or worn out Li-ion battery, contact your local waste disposal agency, or the local Environmental Protection Agency for information and specific instructions. Take the batteries to a local recycling and/or disposal center, certified for lithium-ion disposal.

### ▲ WARNING

If the battery pack cracks or breaks, with or without leaks, do not recharge it and do not use. Discard it and replace with a new battery pack. **DO NOT TRY TO REPAIR IT!** To prevent injury and risk of fire, explosion, or electric shock, and to avoid damage to the environment:

- Cover the terminals of the battery with heavy-duty adhesive tape.
- DO NOT try to remove or destroy any of the battery pack components.
- DO NOT try to open the battery pack.
- If a leak develops, the released electrolytes are corrosive and toxic. DO NOT get the solution in the eyes or on skin, and do not swallow it.
- DO NOT put these batteries in your regular household trash.
- DO NOT incinerate.
- DO NOT put them where they will become part of any waste landfill or municipal solid waste stream.
- Take them to a certified recycling or disposal center.

## 9 UNPACK THE MACHINE

### ▲ WARNING

Make sure that you correctly assemble the machine before use.

### ▲ WARNING

- If parts of the machine are damaged, do not use the machine.
- If you do not have all the parts, do not operate the machine.
- If parts are damaged or missing, contact the service center.

1. Open the package.
2. Read the documentation provided in the box.
3. Remove all the unassembled parts from the box.
4. Remove the machine from the box.
5. Discard the box and packing material in compliance with local regulations.

## 9.1 FIT THE HEDGE TRIMMER HEAD



The hedge trimmer head can be mounted directly into handle pole so as to achieve the standard length.

1. Insert the handle pole into the hedge trimmer head.
2. Slide the coupler upwards and turn it clockwise until it is completely tightened.

### ▲ WARNING

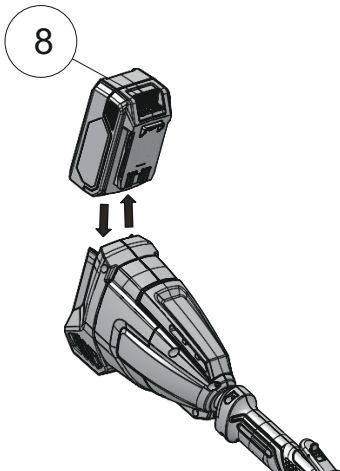
Periodically check the connections to ensure that they are tightened securely.

## 9.2 REMOVE THE HEDGE TRIMMER HEAD



1. Rest the machine on the ground.
2. Loosen the couplers.
3. Take off the trimmer head / handle pole.

## 9.3 INSTALL THE BATTERY PACK



### ▲ WARNING

- If the battery pack or charger is damaged, replace the battery pack or the charger.
- Stop the machine and wait until the motor stops before you install or remove the battery pack.
- Read, know, and do the instructions in the battery and charger manual.

1. Align the lift ribs on the battery pack with the grooves in the battery compartment.
2. Push the battery pack into the battery compartment until the battery pack locks into place.
3. When you hear a click, the battery pack is installed.

## 9.4 REMOVE THE BATTERY PACK

1. Push and hold the battery release button.
2. Remove the battery pack from the machine.

## 10 OPERATION

- Do not put your fingers into the notches or in position where they can get cut.
- Do not touch the blade unless you removed the battery pack.
- Do not use the machine if the blade is damaged or bent.
- Remove all objects such as cords, lights, wire, or string from the cutting area which can become entangled in the cutting blade and create a risk of personal injury.

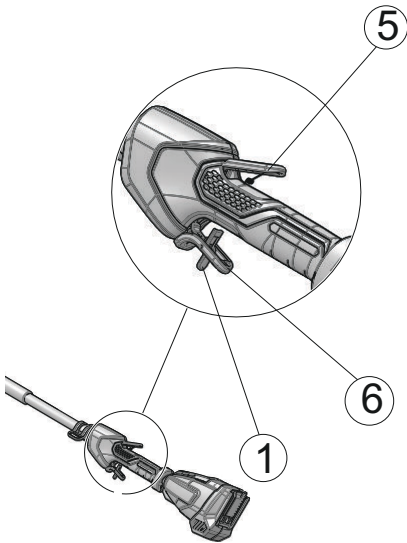
### ▲ WARNING

If the blade jams on an electrical cord or line, **DO NOT TOUCH THE BLADE! IT CAN BE LIFE THREATENING AND DANGEROUS.** Follow the steps below:

1. Hold the insulated rear handle or put the machine down and away from you.
2. Disconnect the electrical service to the damaged line or cord before you try to free the blade.



## 10.1 START THE MACHINE



1. Pull the small safety lock button upward.
2. Press the safety lock button.
3. Press the trigger while you hold the safety lock button.
4. Release the safety lock button.

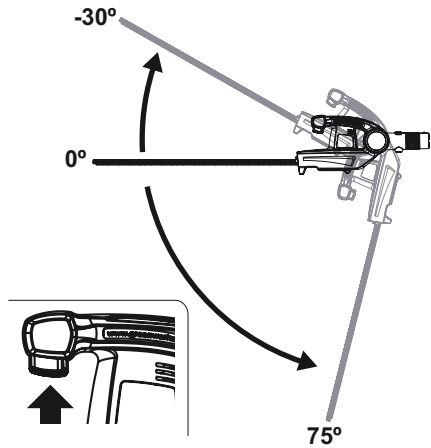
### ▲ WARNING

Hold the machine with two hands during operation.

## 10.2 STOP THE MACHINE

1. Release the trigger to stop the machine.

## 10.3 ADJUST THE TRIMMER HEAD ANGLE



The trimmer head can be locked into 7 positions.

1. Pull the pivot button and move the head forward or backward to your desired position.
2. Release the pivot button.

### ▲ WARNING

The trimmer head should lock securely in place.

## 11 MAINTENANCE

### ▲ CAUTION

Do not let brake fluids, gasoline, petroleum-based materials touch the plastic parts. Chemicals can cause damage to the plastic, and make the plastic unserviceable.

### ▲ CAUTION

Do not use strong solvents or detergents on the plastic housing or components.

### ▲ WARNING

Remove the battery pack from the machine before maintenance.

## 11.1 CLEAN THE MACHINE

### ▲ WARNING

Keep the machine and the motor free of leaves, branches or excessive oil to prevent fire risks.

- Use a moist cloth with a mild detergent to clean the machine.

- Clean all moisture with a soft dry cloth.
- Use a small brush to clean the air vents.

## 11.2 LUBRICATE THE BLADE

To increase the efficiency and life of the blades, lubricate them carefully after each work session:

- Do not oil the blade while the hedge trimmer is running.
- Put the machine on a flat and smooth surface.
- Use a soft cloth to clean the blades and a brush to remove more dirt.
- Use a light layer of oil to lubricate the blades along the top edge of the blade.

### **i** NOTE

We recommend to use the non-pollutant type oil.

## 12 STORE THE MACHINE

### **i** NOTE

Clean the machine before storage.

1. Remove the battery pack.
2. Let the motor cool.
3. Check that there are no loose or damaged components. If it is necessary, replace the damaged components, tighten screws and bolts, or speak to a person of an approved service center.
4. Store the machine in a cool and dry location.

## 13 TROUBLESHOOTING

Problem	Possible cause	Solution
The motor shuts down whilst working.	The battery pack is not installed tightly.	Make sure that you tightly installed the battery pack in the machine.
	The battery pack is out of power.	Charge the battery pack.
	The machine has damage.	Do not use the machine and speak to service center.
The machine smokes during operation.	The machine has damage.	<ol style="list-style-type: none"> <li>1. Immediately stop the machine.</li> <li>2. Remove the battery.</li> <li>3. Speak to service center.</li> </ol>

Problem	Possible cause	Solution
The motor is on, blades do not move.	The machine has damage.	Do not use the machine and speak to service center.
	The blades are blocked.	Remove battery then clear blockage from the blades.
Too much noise and/or vibration is experienced while working.	The parts are loosened.	<ol style="list-style-type: none"> <li>1. Stop the machine.</li> <li>2. Remove the battery.</li> <li>3. Inspect for damage.</li> <li>4. Check and tighten loose parts.</li> </ol>
	The parts have damage.	Do not use the machine and speak to service center.

## 14 TECHNICAL DATA

Voltage	24 V
No load speed	3000 (±10%) SPM
Blade length	20" (510 mm)
Cutting capacity	0.7" (18 mm)
Weight (without battery pack)	8.8 lbs. (4 kg)
Battery model	BAG 708 and other BAG series
Charger model	CAG 801 and other CAG series

## 15 LIMITED WARRANTY



Greenworks hereby warrants this product, to the original purchaser with proof of purchase, for a period of three (3) years against defects in materials, parts or workmanship. Greenworks, at its own discretion, will repair or replace any and all parts found to be defective, through normal use, free of charge to the customer. This warranty is valid only for units which have been used for personal use that have not been purchased or rented for industrial/commercial use, and

that have been maintained in accordance with the instructions in the owners' manual supplied with the product when new.

#### ITEMS NOT COVERED BY WARRANTY:

1. Any part that has become inoperative due to misuse, commercial use, abuse, neglect, accident, improper maintenance, or alteration; or
2. The unit, if it has not been operated and/or maintained in accordance with the owner's manual; or
3. Normal wear;
4. Routine maintenance items such as lubricants, blade sharpening;
5. Normal deterioration of the exterior finish due to use or exposure.

#### HELPLINE:

Warranty service is available by calling our toll-free helpline at 1-888-909-6757.

#### TRANSPORTATION CHARGES:

Transportation charges for the movement of any power equipment unit or attachment are the responsibility of the purchaser. It is the purchaser's responsibility to pay transportation charges for any part submitted for replacement under this warranty unless such return is requested in writing by Greenworks.

#### USA address:

Greenworks Tools

P.O. Box 1238

Mooresville, NC 28115

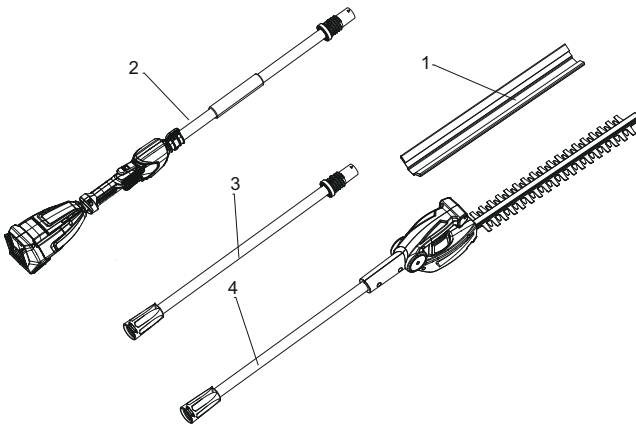
#### Canadian address:

Greenworks Tools Canada, Inc.

P.O. Box 93095, Newmarket,  
Ontario

L3Y 8K3

## 16 EXPLODED VIEW



<b>No.</b>	<b>Part No.</b>	<b>Qty</b>	<b>Description</b>
1	RB34110648	1	Blade cover
2	R0202898-00	1	Rear handle assembly
3	R0202899-00	1	Extendsion tube
4	R0202900-00	1	Hedge trimmer head assembly

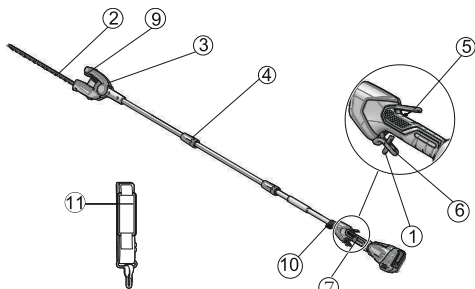
<b>1</b>	<b>Description.....</b>	<b>14</b>	<b>7</b>	<b>Niveaux de risques.....</b>	<b>17</b>
1.1	But.....	14	<b>8</b>	<b>Élimination des batteries sans danger pour l'environnement.....</b>	<b>17</b>
1.2	Aperçu.....	14	<b>9</b>	<b>Déballer la machine.....</b>	<b>18</b>
1.3	Liste du contenu de l'emballage.....	14	9.1	Montez la tête de taille-haie.....	18
<b>2</b>	<b>Avertissements généraux de sécurité des outils électriques.....</b>	<b>14</b>	9.2	Démontez la tête de taille-haie.....	18
2.1	Sécurité de la zone de travail.....	14	9.3	Installez le bloc-batterie.....	19
2.2	Sécurité électrique.....	14	9.4	Retirez le bloc-batterie.....	19
2.3	Sécurités des personnes.....	14	<b>10</b>	<b>Utilisation.....</b>	<b>19</b>
2.4	Utilisation et entretien des outils électriques.....	15	10.1	Démarrez la machine.....	19
2.5	Utilisation et entretien de l'outil à batterie.....	15	10.2	Arrêtez la machine.....	19
2.6	Service.....	16	10.3	Réglez l'angle de la tête de coupe.....	20
2.7	Avertissements de sécurité de la taille-haie.....	16	<b>11</b>	<b>Entretien.....</b>	<b>20</b>
2.8	Avertissements de sécurité concernant le taille-haie télescopique.....	16	11.1	Nettoyez la machine.....	20
<b>3</b>	<b>Proposition 65.....</b>	<b>16</b>	11.2	Lubrifiez la lame.....	20
<b>4</b>	<b>Sécurité des enfants.....</b>	<b>16</b>	<b>12</b>	<b>Entreposez la machine.....</b>	<b>20</b>
<b>5</b>	<b>La plage de température ambiante recommandée :.....</b>	<b>17</b>	<b>13</b>	<b>Dépannage.....</b>	<b>20</b>
<b>6</b>	<b>Symboles figurant sur la machine.....</b>	<b>17</b>	<b>14</b>	<b>Données techniques.....</b>	<b>21</b>
			<b>15</b>	<b>Garantie limitée.....</b>	<b>21</b>
			<b>16</b>	<b>Vue éclatées.....</b>	<b>22</b>

## 1 DESCRIPTION

### 1.1 BUT

Cette machine est destinée à la taille et à l'élagage des haies et des buissons à la maison.

### 1.2 APERÇU



- |   |  |    |                                  |
|---|--|----|----------------------------------|
| 1 | Petit bouton de verrouillage de sécurité | 6  | Gâchette                         |
| 2 | Lame                                     | 7  | Poignée arrière                  |
| 3 | Tête de taille-haie                      | 8  | Bouton d'éjection de la batterie |
| 4 | Coupleur                                 | 9  | Bouton rotatif                   |
| 5 | Bouton de verrouillage de sécurité       | 10 | Anneau de jonction               |
|   |  | 11 | Bandoulière                      |

### 1.3 LISTE DU CONTENU DE L'EMBALLAGE

- |   |                                    |   |                      |
|---|------------------------------------|---|----------------------|
| 1 | Ensemble de la tête de taille-haie | 3 | Tube d'extension     |
| 2 | Ensemble de la poignée arrière     | 4 | Manuel               |
|   |                                    | 5 | Couvercle de la lame |

## 2 AVERTISSEMENTS GÉNÉRAUX DE SÉCURITÉ DES OUTILS ÉLECTRIQUES

### ▲ AVERTISSEMENT

Lisez tous les avertissements de sécurité et toutes les instructions. Le non-respect de ces avertissements et de ces instructions peut entraîner un choc électrique, un incendie et/ou des blessures graves.

Conservez tous les avertissements et instructions pour référence ultérieure.

Le terme « outil électrique » dans les avertissements se réfère à votre outil électrique alimenté (avec fil) ou à votre outil électrique (sans fil) fonctionnant sur BATTERIE.

## 2.1 SÉCURITÉ DE LA ZONE DE TRAVAIL

- Gardez la zone de travail propre et bien éclairée. Les endroits encombrés ou sombres favorisent les accidents.
- N'utilisez pas les outils électriques dans des environnements explosifs, par exemple en présence de liquides, gaz ou poussières inflammables. La mise en marche des outils électriques crée des étincelles qui peuvent enflammer la poussière ou les vapeurs.
- Tenez les enfants et les curieux à l'écart lorsque vous utilisez un outil électrique. Les distractions peuvent vous faire perdre le contrôle.

## 2.2 SÉCURITÉ ÉLECTRIQUE

- Les prises de l'outil électrique doivent être compatibles avec la prise de courant. Ne modifiez jamais la prise d'aucune façon. N'utilisez pas d'adaptateur de prise avec des outils à prise de terre. Des prises non modifiées et leurs prises de courant respectives réduisent les risques de choc électrique.
- Évitez que le corps n'entre en contact avec des surfaces mises à la terre comme les tuyaux, les radiateurs, les cuisinières et les réfrigérateurs. Il y a un risque accru de choc électrique si votre corps est en contact avec la terre.
- N'exposez pas les outils électriques à des conditions humides ou mouillées. L'eau qui pénètre dans un outil électrique augmente le risque de choc électrique.
- N'abusez pas du cordon. N'utilisez jamais le câble pour porter, tirer ou débrancher l'outil. Éloignez le cordon de la chaleur, de l'huile, des bords tranchants ou des pièces mobiles. Les cordons endommagés augmentent le risque d'un choc électrique.
- Lorsque vous utilisez un outil électrique en extérieur, utilisez une rallonge de câble adaptée à l'usage en extérieur. Utiliser un câble adapté à un usage en extérieur réduit le risque de choc électrique.
- Si vous ne pouvez éviter d'utiliser l'outil dans un environnement humide, utilisez une alimentation protégée à courant différentiel. Le respect de cette règle réduira le risque de chocs électriques.

## 2.3 SÉCURITÉS DES PERSONNES

- Restez vigilant, soyez attentif à ce que vous faites et faites preuve de bon sens lorsque vous utilisez un outil électrique. N'utilisez pas l'appareil lorsque vous êtes fatigué, sous l'emprise de l'alcool ou de drogues ou après avoir pris des médicaments. Un moment d'inattention lors de l'utilisation d'un outil électrique peut provoquer des blessures corporelles graves.
- Utilisez de l'équipement de protection individuelle. Portez toujours des lunettes de protection. L'utilisation d'équipement de protection adapté aux conditions de travail (masque anti-poussières, chaussures de sécurité antidérapantes, casque et protections auditives etc.) permet de réduire les risques de blessures corporelles.

- **Évitez tout démarrage accidentel. Assurez-vous que l'interrupteur est en position d'arrêt avant de brancher la source d'alimentation et/ou la batterie et quand vous soulevez ou transportez l'appareil.** *Transporter un outil électrique avec un doigt sur l'interrupteur ou le brancher sur une alimentation électrique alors que son interrupteur est en position marche favorise les accidents.*
- **Retirez les clefs de réglage et de serrage avant de mettre l'outil en marche.** *Une clef de réglage ou de serrage restée sur une pièce en rotation de l'outil électrique peut entraîner des blessures corporelles.*
- **Ne vous penchez pas trop en avant. Gardez un bon équilibre en tout temps.** *Ceci permet un meilleur contrôle de l'outil électrique dans des situations inattendues.*
- **Si un appareil est conçu pour être utilisé avec des dispositifs d'extraction et de récupération des poussières, veillez à ce que ces dispositifs soient bien raccordés et correctement utilisés.** *L'utilisation de dispositifs de récupération des poussières permet de réduire les risques liés aux poussières.*
- **Habillez-vous correctement. Ne portez pas de vêtements amples ou de bijoux. Veillez à ne pas approcher vos cheveux, vos vêtements et vos gants des pièces en mouvement.** *Les vêtements amples, les bijoux et les cheveux longs peuvent se prendre dans les pièces en mouvement.*
- **Si un appareil est conçu pour être utilisé avec des dispositifs d'extraction et de récupération des poussières, veillez à ce que ces dispositifs soient bien raccordés et correctement utilisés.** *L'utilisation de dispositifs de récupération des poussières permet de réduire les risques liés aux poussières.*
- **Ne laissez pas l'habitude des fréquentes utilisations vous faire oublier et ignorer les principes de sécurité.** *Une action négligente peut provoquer de graves blessures en une fraction de seconde.*

## 2.4 UTILISATION ET ENTRETIEN DES OUTILS ÉLECTRIQUES

- **Ne forcez pas l'outil électrique. Utilisez l'outil électrique adapté à votre application.** *L'outil électrique approprié fera mieux le travail et sera plus sécuritaire au rythme pour lequel il a été conçu.*
- **N'utilisez pas l'outil électrique si l'interrupteur ne le met pas en marche ou à l'arrêt.** *Tout outil électrique qui ne peut pas être contrôlé avec l'interrupteur est dangereux et doit être réparé.*
- **Débranchez la prise de la source d'alimentation et/ou retirez la batterie avant d'effectuer des réglages, de changer des accessoires ou de ranger l'outil électrique.** *De telles mesures de sécurité préventives réduisent le risque d'un démarrage accidentel de l'outil électrique.*
- **Rangez les outils électriques inutilisés hors de portée des enfants et ne laissez pas des personnes qui ne sont pas familiarisées avec l'outil électrique ou ces**

*instructions l'utiliser. Les outils électriques sont dangereux entre les mains des utilisateurs non formés.*

- **Entretenez les outils électriques et les accessoires. Vérifier qu'aucune pièce mobile n'est mal alignée, grippée ou brisée et soyez attentif à toute autre condition qui pourrait affecter le fonctionnement de l'outil électrique. Si il est endommagé, faites réparer l'outil électrique avant de l'utiliser.** *De nombreux accidents sont causés par des outils électriques mal entretenus.*
- **Garder les outils de coupe propres et tranchants.** *Les outils de coupe bien entretenus avec des bords tranchants sont moins susceptibles de se coincer et sont plus faciles à contrôler.*
- **Utilisez l'outil électrique, les accessoires, les mèches, etc. conformément à ces instructions, en tenant compte des conditions de travail et des travaux à effectuer.** *L'utilisation de l'outil motorisé pour des opérations différentes de celles prévues pourrait entraîner une situation dangereuse.*
- **Veillez à ce que les poignées restent propres, sèches et exemptes d'huile et de graisse.** *Les poignées et surfaces de prise glissantes ne permettent pas de manipuler et de contrôler l'outil dans des situations inattendues.*

## 2.5 UTILISATION ET ENTRETIEN DE L'OUTIL À BATTERIE

- **Rechargez uniquement avec le chargeur spécifié par le fabricant.** *Un chargeur adapté à un type de bloc-batterie peut créer un risque d'incendie lorsqu'il est utilisé avec un autre bloc-batterie.*
- **Utilisez les outils électriques uniquement avec des batteries spécialement conçues à cet effet.** *L'utilisation de tous autres bloc-batteries peut créer un risque de blessure et d'incendie.*
- **Lorsque la batterie n'est pas utilisée, éloignez-la des autres objets métalliques tels qu'attaches trombones, pièces de monnaie, clés, clous, vis ou autres petits objets métalliques qui peuvent établir une connexion d'une borne à une autre.** *Le court-circuitage des bornes de la batterie peut provoquer des brûlures ou un incendie.*
- **Dans des conditions abusives, du liquide peut être éjecté de la batterie. Évitez tout contact. En cas de contact accidentel, rincez avec de l'eau. En cas de contact avec les yeux, consultez également un médecin.** *Le liquide s'échappant de la batterie peut causer des irritations ou des brûlures.*
- **N'utilisez pas un bloc-batterie ou un outil endommagé ou modifié.** *Les batteries endommagées ou modifiées peuvent présenter un fonctionnement imprévisible et provoquer un incendie, une explosion ou un risque de blessure.*
- **N'exposez pas un bloc-batterie ou un outil au feu ou à une température excessive.** *L'exposition au feu ou une température supérieure à 130°C peut provoquer une explosion.*

- Suivez toutes les instructions de recharge et ne rechargez pas la batterie ou l'outil en dehors de la plage de température spécifiée dans ces instructions. *Un rechargement incorrect ou à des températures en dehors de la plage spécifiée peut endommager la batterie et augmenter le risque d'incendie.*

## 2.6 SERVICE

- Faites effectuer l'entretien de votre outil électrique par un réparateur qualifié en n'utilisant que des pièces de rechange identiques. *Cela garantira le maintien de la sécurité de l'outil électrique.*
- Ne réparez jamais un bloc-batterie endommagé. *L'entretien d'un bloc-batterie ne doit être effectué que par le fabricant ou des fournisseurs de service agréés.*

## 2.7 AVERTISSEMENTS DE SÉCURITÉ DE LA TAILLE-HAIE

- Veillez à ce qu'aucune partie du corps ne s'approche de la lame. N'enlevez pas le matériau coupé et ne retenez pas le matériau à couper lorsque les lames sont en mouvement. *Les lames continuent de bouger après que l'interrupteur ait été éteint. Un simple moment d'inattention lors de l'utilisation de la taille-haie peut provoquer des blessures corporelles graves.*
- Transportez la taille-haie par la poignée, la lame arrêtée, en veillant à ne pas actionner l'interrupteur. *Le fait de transporter correctement la taille-haie réduit le risque de démarrage par inadvertance et de blessure causée par les lames.*
- Mettez toujours le couvre-lame lorsque vous transportez ou rangez la taille-haie. *Une manipulation correcte du taille-haie réduira le risque de blessure causée par les lames.*
- Lorsque vous retirez les matériaux coincés ou procédez à l'entretien de l'appareil, assurez-vous que tous les interrupteurs sont éteints et que le cordon d'alimentation est débranché. *Une mise en marche inattendue du taille-haie lors de l'élimination de blocages ou de l'entretien peut entraîner des blessures graves.*
- Tenez toujours la taille-haie par ses poignées isolantes seulement, car la chaîne peut entrer en contact avec un fil électrique caché ou son propre cordon. *Les lames en contact avec un câble sous tension peuvent exposer des parties métalliques de l'outil et pourraient causer une décharge électrique.*
- Maintenez tous les cordons et câbles électriques à l'écart de la zone de coupe. *Des cordons ou câbles d'alimentation peuvent être cachés dans les haies ou les buissons et peuvent être accidentellement coupés par la lame.*
- N'utilisez pas la taille-haie par mauvais temps, en particulier lorsqu'il y a un risque de foudre, afin de réduire le risque d'être frappé par la foudre.

## 2.8 AVERTISSEMENTS DE SÉCURITÉ CONCERNANT LE TAILLE-HAIE TÉLESCOPIQUE

- Pour réduire le risque d'électrocution, n'utilisez jamais la taille-haie télescopique à proximité de lignes électriques. *Le contact ou l'utilisation à proximité de lignes électriques peut provoquer des blessures graves ou une décharge électrique entraînant la mort.*
- Utilisez toujours les deux mains lorsque vous utilisez le taille-haie télescopique. *Tenez le taille-haie télescopique avec les deux mains pour éviter de perdre le contrôle.*
- Utilisez toujours un couvre-chef protecteur lorsque vous utilisez le taille-haie télescopique en hauteur. *La chute de débris peut entraîner des blessures graves.*

## 3 PROPOSITION 65

### ▲ AVERTISSEMENT

Ce produit contient un produit chimique connu dans l'état de Californie comme étant une cause de cancer, de malformations congénitales ou d'autres problèmes de reproduction. Certaines poussières produites par le ponçage mécanique, le sciage, le meulage, le perçage et d'autres activités de construction contiennent des produits chimiques connus pour causer le cancer, des malformations congénitales ou d'autres problèmes de reproduction. Voici quelques exemples de ces produits chimiques :

- Plomb provenant de peintures à base de plomb;
- Silice cristalline provenant de briques, de ciment et d'autres produits de maçonnerie;
- Arsenic et chrome provenant de bois traité chimiquement.

Votre risque d'exposition à ces produits chimiques varie selon la fréquence à laquelle vous faites ce type de travail. Pour réduire votre exposition à ces produits chimiques, travaillez dans un endroit bien ventilé et utilisez un équipement de sécurité approuvé, comme des masques anti-poussière spécialement conçus pour filtrer les particules microscopiques.

Conservez ces instructions.

## 4 SÉCURITÉ DES ENFANTS

Des accidents tragiques peuvent se produire si l'opérateur n'est pas au courant de la présence des enfants.

- Éloignez les enfants de la zone de travail et placez-les sous la surveillance d'un adulte responsable.
- Ne laissez pas un enfant de moins de 14 ans utiliser cette machine. Les enfants de 14 ans et plus doivent lire et comprendre les instructions d'utilisation et les règles de sécurité contenues dans ce manuel et doivent être formés et supervisés par un parent.
- Restez vigilant et éteignez la machine si un enfant ou une autre personne entre dans la zone de travail.








- Soyez extrêmement prudent lorsque vous vous approchez d'un angle mort, d'une porte, d'un arbuste, d'un arbre ou de tout autre objet qui pourrait masquer la vue d'un enfant qui pourrait se heurter à la machine.





## 5 LA PLAGE DE TEMPÉRATURE AMBIANTE RECOMMANDÉE :

Élément	Température
Plage de température de stockage d'appareil	32 °F (0 °C) ~ 113 °F (45 °C)
Plage de température de service d'appareil	32 °F (0 °C) ~ 113 °F (45 °C)
Plage de température de charge de batterie	39 °F (4 °C) ~ 104 °F (40 °C)
Plage de température de service de chargeur	39 °F (4 °C) ~ 104 °F (40 °C)
Plage de température de stockage de batterie	32 °F (0 °C) ~ 113 °F (45 °C)
Plage de température de dé-charge de batterie	32 °F (0 °C) ~ 113 °F (45 °C)

## 6 SYMBOLES FIGURANT SUR LA MACHINE




Certains des symboles suivants peuvent être utilisés sur ce produit. Veuillez les étudier et apprendre leur signification. Une bonne interprétation de ces symboles vous permettra de mieux utiliser le produit et de manière plus sécuritaire.

Symbole	Explication
	Précautions destinées à assurer la sécurité.
	Lisez et comprenez toutes les instructions avant d'utiliser cette machine, et suivez tous les avertissements et les consignes de sécurité.
	Portez toujours des lunettes de sécurité dont les écrans latéraux sont conformes à la norme ANSI Z87.1. lorsque vous utilisez cette machine.
	Les objets projetés peuvent ricocher et causer des blessures corporelles ou des dommages matériels. Portez des vêtements et des bottes de protection.
	Portez des gants antidérapants et résistants.
	Tenez tous les curieux à une distance d'au moins 50 ft (50 pi).

Symbole	Explication
	DANGER ! Risque d'électrocution ! Maintenez l'outil à une distance de 50 pi des lignes électriques. Tenez tous les curieux à une distance d'au moins 15 m (50 pi).
	Ne pas exposer la machine à la pluie ou à l'humidité.
	Danger – Gardez les mains et les pieds éloignés de la lame.
	Portez un casque protecteur.

## 7 NIVEAUX DE RISQUES

Les termes de mise en garde suivants et leur signification ont pour but d'expliquer les niveaux de risques associés à l'utilisation de ce produit.

SYMBOLE	SIGNAL	SIGNIFICATION
	DANGER	Indique une situation dangereuse imminente qui, si elle n'est pas évitée, peut entraîner la mort ou des blessures graves.
	AVERTISSEMENT	Indique une situation potentiellement dangereuse qui, si elle n'est pas évitée, peut entraîner la mort ou des blessures graves.
	MISE EN GARDE	Indique une situation potentiellement dangereuse qui, si elle n'est pas évitée, pourrait causer des blessures mineures ou modérées.
	MISE EN GARDE	(Sans symbole d'alerte de sécurité) indique une situation pouvant entraîner des dommages matériels.

## 8 ÉLIMINATION DES BATTERIES SANS DANGER POUR L'ENVIRONNEMENT



**FR** Les matières toxiques et corrosives ci-dessous se trouvent dans les batteries utilisées dans cette machine : **Lithium-ion, une substance toxique.**

## ▲ AVERTISSEMENT

Éliminez toutes les substances toxiques d'une manière spécifiée afin de prévenir la contamination de l'environnement. Avant de jeter une batterie au lithium-ion endommagée ou usée, contactez votre agence locale d'élimination des déchets ou l'agence locale de protection de l'environnement pour obtenir des informations et des instructions spécifiques. Apportez les batteries à un centre local de recyclage ou d'élimination certifié pour l'élimination de batteries au lithium-ion.

## ▲ AVERTISSEMENT

Si la batterie se fend ou se brise, avec ou sans fuites, ne la rechargez pas et ne l'utilisez pas. Jetez-la et remplacez-la par une nouvelle batterie. **N'ESSAYEZ PAS DE LA RÉPARER !** Pour prévenir les blessures et les risques d'incendie, d'explosion ou de décharge électrique, et pour éviter tout dommage à l'environnement :

- Couvrez les bornes de la batterie avec du ruban adhésif résistant.
- NE PAS essayer d'enlever ou de détruire les composants de la batterie.
- NE PAS essayer d'ouvrir ou de réparer la batterie.
- En cas de fuite, les électrolytes rejetés sont corrosifs et toxiques. NE laissez PAS entrer la solution dans les yeux ou en contact avec la peau et ne l'avalez pas.
- NE PAS jeter vos batteries usagées dans votre poubelle à ordures ménagères.
- N'incinerez PAS les batteries.
- NE LES Mettez PAS dans un endroit où ils feront partie d'un site d'enfouissement de déchets ou d'un flux de déchets solides municipaux.
- Emmenez-les dans un centre de recyclage ou d'élimination certifié.

## 9 DÉBALLER LA MACHINE

### ▲ AVERTISSEMENT

Assurez-vous d'assembler correctement la machine avant de l'utiliser.

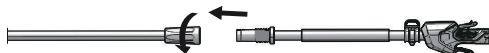
### ▲ AVERTISSEMENT

- Si les pièces de la machine sont endommagées, ne l'utilisez pas.
- Si vous n'avez pas toutes les pièces, n'utilisez pas la machine.
- Si des pièces sont endommagées ou manquantes, communiquez avec le centre de service.

1. Ouvrez l'emballage.
2. Lisez la documentation contenue dans la boîte.

3. Retirez toutes les pièces non assemblées de la boîte.
4. Retirez la machine de sa boîte.
5. Jetez la boîte et l'emballage conformément aux règlements locaux.

## 9.1 MONTEZ LA TÊTE DE TAILLE-HAIE



La tête de taille-haie peut être montée directement dans la rallonge de la poignée afin d'obtenir la longueur standard.

1. Insérez la poignée dans la tête de la taille-haie.
2. Faites glisser le coupleur vers le haut et tournez-le dans le sens des aiguilles d'une montre jusqu'à ce qu'il soit complètement serré.

### ▲ AVERTISSEMENT

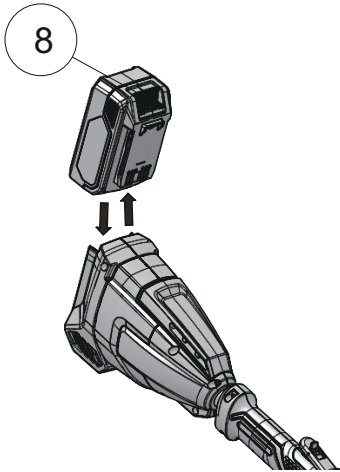
Vérifiez périodiquement les connexions pour vous assurer qu'elles sont bien serrées.

## 9.2 DÉMONTÉZ LA TÊTE DE TAILLE-HAIE



1. Posez la machine sur le sol.
2. Desserrez les coupleurs.
3. Retirez la tête de coupe/ la rallonge de la poignée.

## 9.3 INSTALLEZ LE BLOC-BATTERIE



### ▲ AVERTISSEMENT

- Si le bloc-batterie ou le chargeur est endommagé, remplacez-le, au besoin.
- Arrêtez la machine et attendez que le moteur s'arrête avant d'installer ou de retirer le bloc-batterie.
- Lisez, comprenez et suivez les instructions du manuel de la batterie et du chargeur.

1. Alignez les languettes du bloc-batterie avec les rainures du compartiment à batteries.
2. Poussez le bloc-batterie dans le compartiment jusqu'à ce qu'il soit bien encliqueté.
3. Vous devriez entendre un clic lorsque le bloc-batterie sera inséré correctement.

## 9.4 RETIREZ LE BLOC-BATTERIE

1. Poussez et maintenez enfoncé le bouton de déblocage de la batterie.
2. Retirez le bloc-batterie de la machine.

## 10 UTILISATION

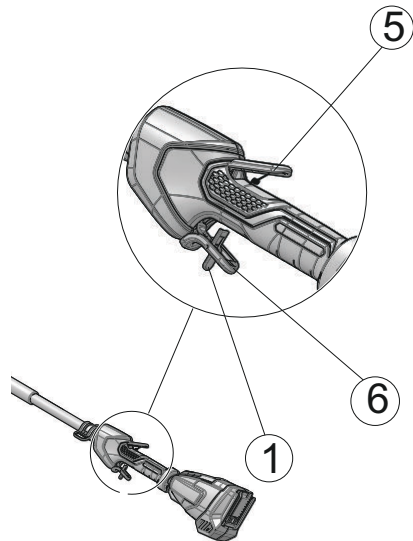
- Ne mettez pas vos doigts dans les entailles ou dans une position où ils peuvent se couper.
- Ne touchez pas la lame sauf pour enlever le bloc-batterie.
- N'utilisez pas la machine si la lame est endommagée ou pliée.
- Retirez tous les objets tels que cordons, lumières, fils ou ficelles qui peuvent s'emmêler dans la lame de coupe et créer un risque de blessures corporelles.

### ▲ AVERTISSEMENT

Si la lame se bloque sur un cordon ou une ligne électrique, **NE TOUCHEZ PAS LA LAME! ELLE PEUT SOUS TENSION VIVANTE ET DANGEREUSE.** Procédez comme suit :

1. Tenez la poignée arrière isolée ou posez la machine à terre et éloignez de vous d'elle.
2. Débranchez l'alimentation électrique de la ligne ou du cordon endommagé avant d'essayer de libérer la lame.

## 10.1 DÉMARREZ LA MACHINE



1. Tirez le petit bouton de verrouillage de sécurité vers le haut.
2. Appuyez sur le bouton de verrouillage de sécurité.
3. Appuyez sur la gâchette pendant que vous maintenez le bouton de verrouillage de sécurité enfoncé.
4. Relâchez le bouton de verrouillage de sécurité.

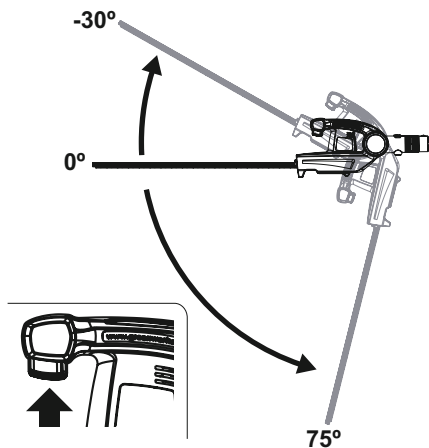
### ▲ AVERTISSEMENT

Tenez la machine avec les deux mains pendant le fonctionnement.

## 10.2 ARRÊTER LA MACHINE

1. Lâchez la gâchette pour arrêter la machine.

## 10.3 RÉGLEZ L'ANGLE DE LA TÊTE DE COUPE



La tête de coupe peut être bloquée en 7 positions.

1. Tirez sur le bouton de pivot et déplacez la tête vers l'avant ou vers l'arrière jusqu'à la position que vous voulez.
2. Relâchez le bouton de pivot.

### ▲ AVERTISSEMENT

La tête de coupe doit être solidement verrouillée en place.

## 11 ENTRETIEN

### ▲ ATTENTION

Évitez que les liquides de freins, l'essence et les matériaux à base de pétrole ne viennent en contact avec les pièces en plastique. Les produits chimiques peuvent endommager le plastique et le rendre inutilisable.

### ▲ ATTENTION

N'utilisez pas de solvants ou de détergents puissants sur le boîtier ou les composants en plastique.

### ▲ AVERTISSEMENT

Retirez la batterie de la machine avant l'entretien.

## 11.1 NETTOYEZ LA MACHINE

### ▲ AVERTISSEMENT

Veillez à ce que la machine et le moteur soient exempts de feuilles, de branches ou d'huile excessive afin d'éviter tout risque d'incendie.

- Utilisez un chiffon humide et un détergent doux pour nettoyer la machine.

- Nettoyez toute l'humidité avec un chiffon doux et sec.
- Utilisez une petite brosse pour nettoyer les événements d'aération.

## 11.2 LUBRIFIEZ LA LAME

Pour augmenter l'efficacité et la durée de vie des lames, lubrifiez-les soigneusement après chaque séance de travail :

- Ne huilez pas la lame lorsque la taille-haie est en marche.
- Placez la machine sur une surface plane et régulière.
- Utilisez un chiffon doux pour nettoyer les lames et une brosse pour enlever la saleté.
- Utilisez une légère couche d'huile pour lubrifier les lames le long du bord supérieur de la lame.

### i REMARQUE

Nous recommandons d'utiliser une huile non polluante.

## 12 ENTREPOSEZ LA MACHINE

### i REMARQUE

Nettoyez la machine avant de le stockage.

1. Retirez le bloc-batterie.
2. Laissez refroidir le moteur.
3. Vérifiez qu'il n'y a pas de pièces desserrées ou endommagées. Si nécessaire, remplacez les composants endommagés, serrez les vis et les boulons ou adressez-vous à une personne d'un centre de service agréé.
4. Entreposez la machine dans un endroit frais et sec.

## 13 DÉPANNAGE

Problème	Cause possible	Solution
Le moteur s'arrête pendant le travail.	La batterie n'est pas correctement installée.	Assurez-vous que vous avez bien installé le bloc batterie dans la machine.
	Le bloc-batterie est déchargé.	Rechargez le bloc-batterie.
	La machine est endommagée.	N'utilisez pas la machine et communiquez avec le centre de service.
La machine dégage de la fumée pendant le fonctionnement.	La machine est endommagée.	<ol style="list-style-type: none"> <li>1. Arrêtez la machine immédiatement.</li> <li>2. Retirez le bloc-batterie.</li> <li>3. Communiquez avec le centre de service.</li> </ol>

Problème	Cause possible	Solution
Le moteur marche, mais les lames ne bougent pas.	La machine est endommagée.	N'utilisez pas la machine et communiquez avec le centre de service.
	Les lames sont bloquées.	Retirez la batterie puis dégagez les dents de tout blocage.
Trop de bruit et/ou de vibrations sont ressentis pendant le fonctionnement.	Les pièces sont desserrées.	<ol style="list-style-type: none"> <li>1. Arrêtez la machine.</li> <li>2. Retirez le bloc-batterie.</li> <li>3. Vérifiez qu'elle n'est pas endommagée.</li> <li>4. Vérifiez et serrez les pièces desserrées.</li> </ol>
	Les pièces sont endommagées.	N'utilisez pas la machine et communiquez avec le centre de service.

normales d'utilisation, sans frais pour le client. Cette garantie n'est valable que pour les appareils qui ont été utilisés à des fins personnelles, qui n'ont pas été loués à des fins industrielles ou commerciales et qui ont été entretenus conformément aux instructions du manuel du propriétaire fourni avec le produit neuf.

#### ARTICLES NON COUVERTS PAR LA GARANTIE :

1. Toute pièce qui est devenue inopérante en raison d'une mauvaise utilisation, d'une utilisation commerciale, d'un abus, d'une négligence, d'un accident, d'un entretien inapproprié ou d'une modification; ou
2. L'appareil, s'il n'a pas été utilisé et/ou entretenu conformément au manuel du propriétaire; ou
3. Usure normale;
4. Articles d'entretien courant tels que lubrifiants, affûtage des lames;
5. Détérioration normale du fini extérieur due à l'utilisation ou à l'exposition.

#### ASSISTANCE TÉLÉPHONIQUE :

Le service de garantie est accessible en appelant notre ligne d'assistance téléphonique sans frais, au 1-888-909-6757.

## 14 DONNÉES TECHNIQUES

Voltage	24 V
Vitesse à vide	3000 (±10%) SPM
Longueur de la lame	20" (510 mm)
Capacité de coupe	0.7" (18 mm)
Poids (sans bloc-batterie)	8.8 lbs. (4 kg)
Batterie (modèle)	BAG 708 et autres séries BAG
Chargeur (modèle)	CAG 801 et autres séries CAG

#### FRAIS DE TRANSPORT :

Les frais de transport pour le déplacement de tout équipement motorisé ou accessoire sont à la charge de l'acheteur. Il incombe à l'acheteur de payer les frais de transport pour toute pièce retournée pour remplacement en vertu de la présente garantie, à moins qu'un tel retour soit demandé par écrit par Greenworks.

#### Adresse aux États-Unis : Adresse au Canada :

Greenworks Tools	Greenworks Tools Canada Inc.
P.O. Box 1238	P.O. Box 93095, Newmarket, Ontario
Mooresville, NC 28115	L3Y 8K3

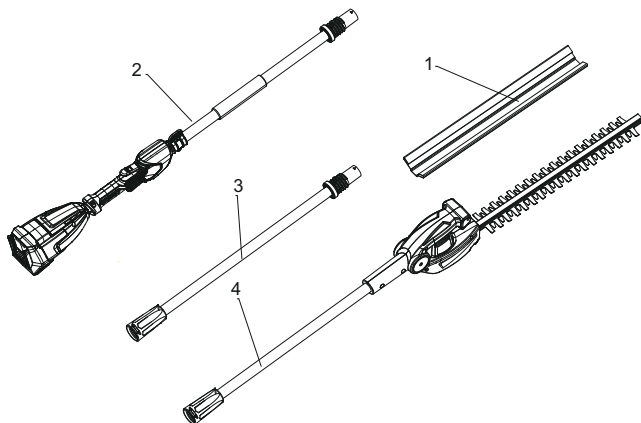
## 15 GARANTIE LIMITÉE



Greenworks garantit par la présente ce produit, à l'acheteur original avec preuve d'achat, pour une période de trois (3) ans contre tout défaut de matériaux, de pièces ou de main-d'œuvre. Greenworks, à sa propre discrétion, réparera ou remplacera toutes les pièces défectueuses, dans des conditions

## 16 VUE ÉCLATÉES

FR



No	No de pièce	Qté	Description
1	RB34110648	1	Couvercle de la lame
2	R0202898-00	1	Ensemble de la poignée arrière
3	R0202899-00	1	Tube d'extension
4	R0202900-00	1	Ensemble de la tête de taille-haie

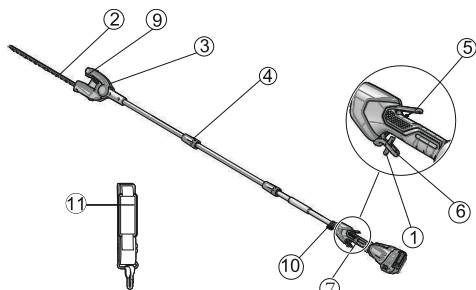
<b>1</b>	<b>Descripción.....</b>	<b>24</b>	<b>6</b>	<b>Símbolos en el producto.....</b>	<b>27</b>
1.1	Finalidad.....	24	<b>7</b>	<b>Niveles de riesgo.....</b>	<b>27</b>
1.2	Perspectiva general.....	24	<b>8</b>	<b>Eliminación de batería segura para el medio ambiente.....</b>	<b>27</b>
1.3	Lista de embalaje .....	24	<b>9</b>	<b>Desembalaje de la máquina.....</b>	<b>28</b>
<b>2</b>	<b>Advertencias generales de seguridad para herramientas eléctricas.....</b>	<b>24</b>	9.1	Instalación del cabezal de corte.....	28
2.1	Seguridad de la zona de trabajo.....	24	9.2	Retirada del cabezal del cortasetos.....	28
2.2	Seguridad eléctrica.....	24	9.3	Instalación de la batería.....	28
2.3	Seguridad personal.....	24	9.4	Retirada de la batería.....	29
2.4	Utilización y cuidado de herramientas eléctricas.....	25	<b>10</b>	<b>Funcionamiento.....</b>	<b>29</b>
2.5	Utilización y cuidado de herramientas a batería.....	25	10.1	Puesta en marcha de la máquina.....	29
2.6	Servicio.....	26	10.2	Detención de la máquina.....	29
2.7	Advertencias de seguridad para cortasetos.....	26	10.3	Ajuste del ángulo del cabezal de corte.....	30
2.8	Advertencias de seguridad para cortasetos telescopicos.....	26	<b>11</b>	<b>Mantenimiento.....</b>	<b>30</b>
<b>3</b>	<b>Propuesta 65.....</b>	<b>26</b>	11.1	Limpeza de la máquina.....	30
<b>4</b>	<b>Seguridad infantil.....</b>	<b>26</b>	11.2	Lubricación de la cuchilla.....	30
<b>5</b>	<b>El intervalo de temperatura ambiente recomendado:.....</b>	<b>27</b>	<b>12</b>	<b>Almacenamiento de la máquina.....</b>	<b>30</b>
			<b>13</b>	<b>Solución de problemas.....</b>	<b>30</b>
			<b>14</b>	<b>Datos técnicos.....</b>	<b>31</b>
			<b>15</b>	<b>Garantía limitada.....</b>	<b>31</b>
			<b>16</b>	<b>Vista despiezada.....</b>	<b>32</b>

## 1 DESCRIPCIÓN

### 1.1 FINALIDAD

Esta máquina se ha diseñado para cortar y podar setos y arbustos en un entorno doméstico.

### 1.2 PERSPECTIVA GENERAL



- |   |                                     |
|---|-------------------------------------|
| 1 Botón pequeño de bloqueo de seguridad | 6 Gatillo                           |
| 2 Cuchilla                              | 7 Asa posterior                     |
| 3 Cabezal del cortasetos                | 8 Botón de desbloqueo de la batería |
| 4 Acoplamiento                          | 9 Botón de articulación             |
| 5 Botón de bloqueo de seguridad         | 10 Anillo de transporte             |
|   | 11 Correa de hombro                 |

### 1.3 LISTA DE EMBALAJE

- |                                       |                        |
|---------------------------------------|------------------------|
| 1 Conjunto del cabezal del cortasetos | 3 Tubo alargador       |
| 2 Conjunto de asa posterior           | 4 Manual               |
|                                       | 5 Cubierta de cuchilla |

## 2 ADVERTENCIAS GENERALES DE SEGURIDAD PARA HERRAMIENTAS ELÉCTRICAS

### ▲ AVISO

Lea todas las advertencias de seguridad, instrucciones, ilustraciones y especificaciones que se proporcionan con esta herramienta eléctrica. El incumplimiento de las advertencias e instrucciones puede provocar descargas eléctricas, incendios o lesiones graves.

Guarde todas las advertencias e instrucciones para su consulta posterior.

El término "herramienta eléctrica" empleado en las advertencias se refiere a su herramienta eléctrica con funcionamiento de red (con cable) o herramienta eléctrica con funcionamiento a BATERÍA (inalámbrica).

### 2.1 SEGURIDAD DE LA ZONA DE TRABAJO

- Mantenga limpia y bien iluminada la zona de trabajo. Las zonas desordenadas u oscuras fomentan los accidentes.
- No utilice herramientas eléctricas en atmósferas explosivas, como en la presencia de líquidos, gases o polvo que puedan inflamarse. Las herramientas eléctricas generan chispas que pueden encender el polvo o los gases.
- Mantenga alejados a los niños y los transeúntes mientras utilice una herramienta eléctrica. Las distracciones pueden hacer que pierda el control.

### 2.2 SEGURIDAD ELÉCTRICA

- Los enchufes de las herramientas eléctricas deben corresponder con la toma de corriente. Nunca modifique el enchufe en modo alguno. No utilice enchufes adaptadores con herramientas eléctricas conectadas a tierra. La utilización de enchufes no modificados y de tomas de corriente adecuadas reducirá el riesgo de descarga eléctrica.
- Evite el contacto del cuerpo con superficies conectadas a tierra, como tuberías, radiadores, estufas y refrigeradores. Existe un riesgo aumentado de descarga eléctrica si su cuerpo está conectado a tierra.
- No exponga las herramientas eléctricas a la lluvia o a condiciones de humedad. Si penetra agua en una herramienta eléctrica, aumentará el riesgo de descarga eléctrica.
- No abuse del cable. Nunca utilice el cable para transportar, tirar o desenchufar la herramienta eléctrica. Mantenga el cable alejado del calor, el aceite, los bordes afilados o las piezas móviles. Los cables dañados o enredados aumentan el riesgo de descarga eléctrica.
- Cuando utilice una herramienta eléctrica en exteriores, use un cable alargador adecuado para uso en exterior. La utilización de un cable adecuado para uso en exterior reduce el riesgo de descarga eléctrica.
- Si no es inevitable el uso de una herramienta eléctrica en un lugar húmedo, utilice un suministro protegido por un DISPOSITIVO DE CORRIENTE RESIDUAL (RCD). La utilización de un RCD reduce el riesgo de descarga eléctrica.

### 2.3 SEGURIDAD PERSONAL

- Manténgase alerta, observe lo que está haciendo y emplee el sentido común cuando utilice una herramienta eléctrica. No utilice una herramienta eléctrica mientras esté cansado o bajo la influencia de drogas, alcohol o medicamentos. Un momento de inatención durante el uso de herramientas eléctricas puede provocar lesiones personales graves.
- Utilice equipos de protección personal. Lleve siempre protección ocular. Si se utilizan correctamente equipos



de protección como máscaras antipolvo, zapatos de seguridad antideslizantes, cascos o protecciones auditivas, se reducirán las lesiones personales.

- **Evite el arranque accidental.** Asegúrese de que el interruptor esté en la posición de apagado antes de conectar a la fuente de alimentación o a la batería y al coger o transportar la herramienta. *El transporte de herramientas eléctricas con el dedo en el interruptor o la conexión de herramientas eléctricas que tienen el interruptor activado fomenta los accidentes.*
- **Retire cualquier llave de ajuste antes de encender la herramienta eléctrica.** *Una llave que se quede fijada a una pieza giratoria de la herramienta eléctrica puede provocar lesiones personales.*
- **No se estire.** Mantenga en todo momento una postura adecuada y el equilibrio. *Esto permite un mejor control de la herramienta eléctrica en situaciones inesperadas.*
- **Si se utilizan dispositivos para la conexión de sistemas de extracción y recogida de polvo, asegúrese de que estén conectados y se utilicen correctamente.** *La utilización de sistemas de recogida de polvo puede reducir los riesgos relacionados con el polvo.*
- **Lleve indumentaria adecuada.** No lleve ropa o joyas sueltas. Mantenga el cabello, la ropa y los guantes lejos de las piezas móviles. *La ropa suelta, las joyas o el cabello largo pueden quedar atrapados en las piezas móviles.*
- **Si se utilizan dispositivos para la conexión de sistemas de extracción y recogida de polvo, asegúrese de que estén conectados y se utilicen correctamente.** *La utilización de sistemas de recogida de polvo puede reducir los riesgos relacionados con el polvo.*
- **No permita que la familiaridad adquirida con el uso frecuente de las herramientas le permita ser confiado e ignoren los principios de seguridad de las herramientas.** *Una acción descuidada puede provocar lesiones graves en una fracción de segundo.*

## 2.4 UTILIZACIÓN Y CUIDADO DE HERRAMIENTAS ELÉCTRICAS

- **No fuerce la herramienta eléctrica.** Utilice la herramienta eléctrica correcta para su aplicación. *La herramienta eléctrica correcta hará el trabajo mejor y con mayor seguridad a la velocidad para la que se diseñó.*
- **No utilice la herramienta eléctrica si el interruptor no la enciende y la apaga.** *Cualquier herramienta eléctrica que no pueda controlarse con el interruptor es peligrosa y debe repararse.*
- **Desconecte el enchufe de la fuente de alimentación o retire la batería de la herramienta eléctrica antes de realizar ajustes, cambiar accesorios o almacenar herramientas eléctricas.** *Estas medidas de seguridad preventivas reducen el riesgo de que la herramienta eléctrica se arranque accidentalmente.*
- **Almacene las herramientas eléctricas inactivas fuera del alcance de los niños y no permita que personas que**

no estén familiarizadas con la herramienta eléctrica o estas instrucciones puedan utilizarla. *Las herramientas eléctricas son peligrosas en manos de usuarios inexpertos.*

- **Mantenga las herramientas eléctricas y los accesorios.** Compruebe si hay desalineación o unión de las piezas móviles, rotura de piezas y cualquier otra condición que pueda afectar al funcionamiento de la herramienta eléctrica. Si ha sufrido daños, lleve a reparar la herramienta eléctrica antes del uso. *Numerosos accidentes se deben a herramientas eléctricas mal mantenidas.*
- **Mantenga limpias y afiladas las herramientas de corte.** *Las herramientas de corte mantenidas correctamente con filos cortantes tienen menos probabilidades de atascarse y son más fáciles de controlar.*
- **Utilice la herramienta eléctrica, los accesorios, las brocas, etc. de acuerdo con estas instrucciones, teniendo en cuenta las condiciones de trabajo y el trabajo a realizar.** *El uso de la herramienta eléctrica para operaciones distintas de las previstas podría dar lugar a una situación peligrosa.*
- **Mantenga las asas y las superficies de agarre secas, limpias y sin restos de aceite y grasa.** *Las asas y las superficies de agarre resbaladizas no permiten un manejo y control seguros de la herramienta en situaciones inesperadas.*

## 2.5 UTILIZACIÓN Y CUIDADO DE HERRAMIENTAS A BATERÍA

- **Recargue solo con el cargador especificado por el fabricante.** *Un cargador adecuado para un tipo de batería puede dar lugar a un riesgo de incendio cuando se usa con otra batería.*
- **Utilice las herramientas eléctricas únicamente con las baterías designadas específicamente.** *El uso de cualquier otra batería puede dar lugar a un riesgo de lesiones e incendio.*
- **Cuando la batería no esté en uso, manténgala alejada de otros objetos metálicos como clips, monedas, llaves, clavos, tornillos u otros objetos metálicos pequeños que puedan hacer una conexión entre los terminales.** *El cortocircuito de los terminales de la batería puede provocar quemaduras o incendios.*
- **Bajo condiciones abusivas, es posible que salga líquido despedido de la batería; evite el contacto.** *Si se produce un contacto accidental, aclare con agua. Si el líquido entra en contacto con los ojos, acuda también al médico.* *El líquido despedido de la batería puede provocar irritación o quemaduras.*
- **No utilice una batería o una herramienta que haya sufrido daños o modificaciones.** *Las baterías dañadas o modificadas pueden exhibir un comportamiento impredecible que puede dar lugar a un incendio, una explosión o un riesgo de lesiones.*
- **No exponga una batería o una herramienta al fuego ni a temperatura excesiva.** *La exposición al fuego o a una*

temperatura superior a 130°C puede provocar una explosión.

- **Siga todas las instrucciones de carga y no cargue la batería o la herramienta fuera del intervalo de temperatura especificado en las instrucciones.** La carga incorrecta o a temperaturas fuera del intervalo especificado puede dañar la batería y aumentar el riesgo de incendio.

## 2.6 SERVICIO

- **Solicite a un técnico de reparación cualificado que realice las tareas de servicio de su herramienta eléctrica utilizando únicamente piezas de repuesto idénticas.** Esto garantizará el mantenimiento de la seguridad de la herramienta eléctrica.
- **Nunca repare las baterías dañadas.** La reparación de las baterías únicamente debe ser realizada por el fabricante o los proveedores de servicio técnico autorizados.

## 2.7 ADVERTENCIAS DE SEGURIDAD PARA CORTASETOS

- **Mantenga todas las partes del cuerpo alejadas de la cuchilla. No retire el material cortado ni sujete el material a cortar cuando las cuchillas se estén moviendo.** Las cuchillas continúan moviéndose después de desactivar el interruptor. Un momento de inatención durante el uso del cortasetos puede provocar lesiones personales graves.
- **Transporte el cortasetos por el asa con la cuchilla parada y tenga cuidado de no accionar ningún interruptor de encendido.** El transporte adecuado del cortasetos reducirá el riesgo de que las cuchillas se pongan en marcha de forma involuntaria y se produzcan lesiones personales.
- **Cuando transporte o almacene el cortasetos, coloque siempre la cubierta de la cuchilla.** El manejo adecuado del cortasetos reducirá el riesgo de lesiones personales debidas a las cuchillas.
- **Asegúrese de que todos los interruptores de alimentación estén apagados y se haya desconectado el cable de alimentación antes de quitar el material atascado o realizar reparaciones en la unidad.** La puesta en marcha inesperada del cortasetos mientras se quita el material atascado o se realizan reparaciones puede provocar lesiones personales graves.
- **Sujete el cortasetos solo por las superficies de agarre aisladas, ya que la cuchilla puede entrar en contacto con cableado oculto o con su propio cable.** Si las cuchillas entran en contacto con un cable "con corriente", esto puede hacer que las piezas metálicas expuestas del cortasetos "tengan corriente" y podrían producir una descarga eléctrica al operario.
- **Mantenga todos los cables de alimentación y de otro tipo alejados de la zona de corte.** Los cordones o cables de alimentación pueden estar ocultos entre los arbores o setos y ser cortados accidentalmente por la cuchilla.

- **No utilice el cortasetos con mal tiempo, especialmente cuando exista un riesgo de rayos.** Esto disminuye el riesgo de ser alcanzado por un rayo.

## 2.8 ADVERTENCIAS DE SEGURIDAD PARA CORTASETOS TELESCÓPICOS

- **Para reducir el riesgo de electrocución, nunca utilice el cortasetos telescópico cerca de líneas eléctricas.** El contacto con o el uso cerca de líneas eléctricas puede producir lesiones graves o descargas eléctricas que pueden provocar la muerte.
- **Utilice siempre las dos manos al utilizar el cortasetos telescópico.** Sujete el cortasetos telescópico con ambas manos para evitar perder el control.
- **Utilice siempre protección para la cabeza cuando maneje el cortasetos telescópico en altura.** La caída de objetos puede producir lesiones personales graves.

## 3 PROPUESTA 65

### ▲ AVISO

Este producto contiene una sustancia química conocida en el estado de California como causante de cáncer, defectos de nacimiento u otros daños reproductivos. El polvo generado por el lijado eléctrico, el serrado, el esmerilado, la perforación y otras actividades de construcción contiene sustancias químicas que se sabe que son causantes de cáncer, defectos de nacimiento u otros daños reproductivos. Algunos ejemplos de estas sustancias químicas son:

- Plomo de pinturas con base de plomo;
- Sílice cristalina de ladrillos y cemento y otros productos de albañilería;
- Arsénico y cromo de la madera tratada químicamente.

El riesgo de exposición a estas sustancias químicas varía según la frecuencia con la que realice este tipo de trabajo. Para reducir su exposición a estas sustancias químicas, trabaje en una zona bien ventilada y trabaje con equipos de seguridad aprobados, como máscaras antipolvo, que estén especialmente diseñadas para filtrar partículas microscópicas.

ConsERVE estas instrucciones.

## 4 SEGURIDAD INFANTIL

Pueden producirse accidentes trágicos si el operario no es consciente de la presencia de niños.

- Mantenga a los niños fuera de la zona de trabajo y bajo la vigilancia de un adulto responsable.
- No permita que niños menores de 14 años utilicen esta herramienta. Los niños de 14 años y mayores deben leer y entender las instrucciones de funcionamiento y las normas de seguridad que se encuentran en este manual y deben recibir formación y supervisión por parte de uno de sus progenitores.







- Manténgase alerta y apague el aparato si un niño o cualquier otra persona entra en la zona de trabajo.
- Tenga mucho cuidado al acercarse a esquinas ciegas, portales, arbustos, árboles u otros objetos que puedan ocultar su visión de un niño que pueda correr hacia el recorrido del aparato.





## 5 EL INTERVALO DE TEMPERATURA AMBIENTE RECOMENDADO:

Elemento	Temperatura
Intervalo de temperatura de almacenamiento del aparato	32 °F (0 °C) ~ 113 °F (45 °C)
Intervalo de temperatura de funcionamiento del aparato	32 °F (0 °C) ~ 113 °F (45 °C)
Intervalo de temperatura de carga de la batería	39 °F (4 °C) ~ 104 °F (40 °C)
Intervalo de temperatura de funcionamiento del cargador	39 °F (4 °C) ~ 104 °F (40 °C)
Intervalo de temperatura de almacenamiento de la batería	32 °F (0 °C) ~ 113 °F (45 °C)
Intervalo de temperatura de descarga de la batería	32 °F (0 °C) ~ 113 °F (45 °C)

## 6 SÍMBOLOS EN EL PRODUCTO

En el producto pueden utilizarse algunos de los siguientes símbolos. Le rogamos que los estudie y aprenda su significado. La interpretación correcta de estos símbolos le permitirá manejar el producto mejor y de manera más segura.

Símbolo	Explicación
	Precauciones que afectan a su seguridad.
	Debe leer y entender todas las instrucciones antes de manejar el producto, así como seguir todas las advertencias e instrucciones de seguridad.
	Lleve siempre gafas de seguridad con protectores laterales marcada para cumplir la ANSI Z87.1 cuando utilice esta máquina.
	Los objetos proyectados pueden rebotar y provocar lesiones personales o daños materiales. Lleve indumentaria de protección y botas.
	Lleve guantes antideslizantes resistentes.
	Mantenga a todos los transeúntes al menos a 15 m (50 pies).

Símbolo	Explicación
	¡PELIGRO! ¡Riesgo de electrocución! Mantenga la herramienta alejada 15 m (50 pies) de las líneas eléctricas. Mantenga a todos los transeúntes al menos a 15 m (50 pies).
	No exponga el producto a la lluvia o a condiciones de humedad.
	Peligro – mantenga las manos y los pies alejados de la cuchilla.
	Lleve protección en la cabeza.

## 7 NIVELES DE RIESGO

Las siguientes indicaciones y significados tienen como fin explicar los niveles de riesgo asociados a este producto.

SÍMBOLO	INDICACIÓN	SIGNIFICADO
	PELIGRO	Indica una situación de peligro inminente que, de no evitarse, provocará lesiones graves o incluso la muerte.
	ADVERTENCIA	Indica una situación de peligro potencial que, de no evitarse, podría provocar lesiones graves o incluso la muerte.
	PRECAUCIÓN	Indica una situación de peligro potencial que, de no evitarse, puede provocar lesiones leves o moderadas.
	PRECAUCIÓN	(Sin símbolo de alerta sobre seguridad) Indica una situación que puede provocar daños materiales.

## 8 ELIMINACIÓN DE BATERÍA SEGURA PARA EL MEDIO AMBIENTE



Los materiales tóxicos y corrosivos que figuran a continuación se encuentran en las baterías utilizadas en esta máquina: **Ion de litio, un material tóxico.**

## ▲ AVISO

Deseche todos los materiales tóxicos de una manera especificada para evitar la contaminación del medio ambiente. Antes de desechar una batería de ion de litio dañada o agotada, contacte con la agencia local de eliminación de residuos o con la agencia de protección ambiental local para obtener información e instrucciones específicas. Lleve las baterías a un centro de reciclaje o eliminación local, certificado para la eliminación de ion de litio.

## ▲ AVISO

Si la batería se agrieta o se rompe, con o sin fugas, no la recargue ni la utilice. Deséchela y sustitúyala por una batería nueva. ¡NO INTENTE REPARARLA! Para evitar lesiones y riesgos de incendio, explosión o descarga eléctrica, y para evitar daños al medio ambiente:

- Cubra los terminales de la batería con cinta adhesiva resistente.
- NO intente retirar o destruir ninguno de los componentes de la batería.
- NO intente abrir la batería.
- Si se produce una fuga, los electrolitos liberados son corrosivos y tóxicos. NO deje que la solución entre en contacto con los ojos o la piel, y no la ingiera.
- NO deseche estas baterías con la basura doméstica normal.
- NO incinere.
- NO lleve las baterías a lugares donde formarán parte de vertederos de residuos o flujos de residuos sólidos urbanos.
- Llévelas a un centro de reciclaje o eliminación certificado.

## 9 DESEMBALAJE DE LA MÁQUINA

### ▲ AVISO

Asegúrese de montar correctamente la máquina antes del uso.

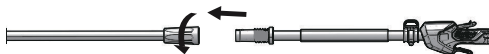
### ▲ AVISO

- Si las piezas de la máquina presentan daños, no utilice la máquina.
- Si no tiene todas las piezas, no utilice la máquina.
- Si faltan piezas o hay piezas dañadas, contacte con el centro de servicio.

1. Abra el embalaje.
2. Lea la documentación que se proporciona en la caja.
3. Retire todas las piezas sin montar de la caja.
4. Retire la máquina de la caja.

5. Deseche la caja y el material de embalaje de conformidad con los reglamentos locales.

## 9.1 INSTALACIÓN DEL CABEZAL DE CORTE



El cabezal del cortasetos puede montarse directamente en el tubo del asa para lograr la longitud estándar.

1. Inserte el tubo del asa en el cabezal del cortasetos.
2. Deslice el acoplamiento hacia arriba y gírelo en sentido horario hasta que quede completamente apretado.

### ▲ AVISO

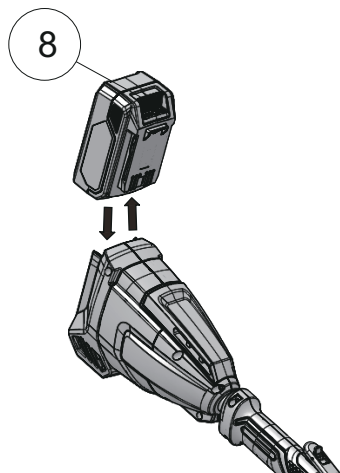
Compruebe las conexiones periódicamente para asegurarse de que estén bien apretadas.

## 9.2 RETIRADA DEL CABEZAL DEL CORTASETOS



1. Deje la máquina en el suelo.
2. Afloje los acoplamientos.
3. Saque el cabezal de corte / el tubo del asa.

## 9.3 INSTALACIÓN DE LA BATERÍA



**▲ AVISO**

- Si la batería o el cargador ha sufrido daños, sustituya la batería o el cargador.
- Detenga la máquina y espere hasta que el motor se pare antes de instalar o retirar la batería.
- Debe leer, conocer y seguir las instrucciones del manual de la batería y el cargador.

1. Alinee las nervaduras de elevación de la batería con las ranuras del compartimento de la batería.
2. Introduzca la batería en el compartimento de la batería hasta que encaje en su posición.
3. Cuando escuche un clic, la batería está instalada.

**9.4 RETIRADA DE LA BATERÍA**

1. Pulse y mantenga pulsado el botón de desbloqueo de la batería.
2. Retire la batería de la máquina.

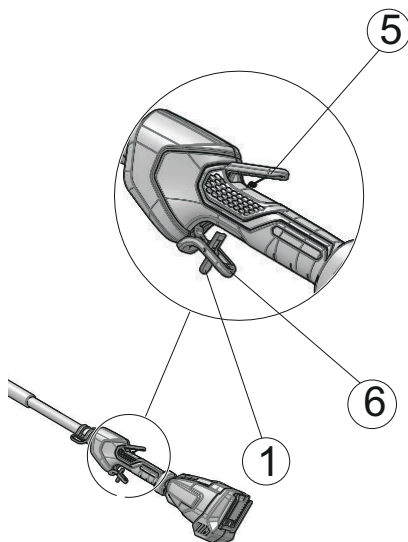
**10 FUNCIONAMIENTO**

- No meta los dedos en las muescas o en posiciones donde puedan cortarse.
- No toque la cuchilla a menos que retire la batería.
- No utilice la máquina si alguna pieza ha sufrido daños o está doblada.
- Retire todos los objetos, como cordones, luces, cables o cuerdas que puedan enredarse en la cuchilla de corte y generar un riesgo de lesiones personales.

**▲ AVISO**

Si la cuchilla se atasca en un cable o línea eléctrica, ¡NO TOQUE LA CUCHILLA! PUEDE TENER CORRIENTE Y SER PELIGROSA. Realice estos pasos:

1. Sujete el asa posterior aislada o deje la máquina lejos de usted.
2. Desconecte el suministro eléctrico a la línea o cable dañado antes de intentar liberar la cuchilla.

**10.1 PUESTA EN MARCHA DE LA MÁQUINA**

1. Tire del botón pequeño de bloqueo de seguridad hacia arriba.
2. Pulse el botón de bloqueo de seguridad.
3. Presione el gatillo mientras sujeta el botón de bloqueo de seguridad.
4. Suelte el botón de bloqueo de seguridad.

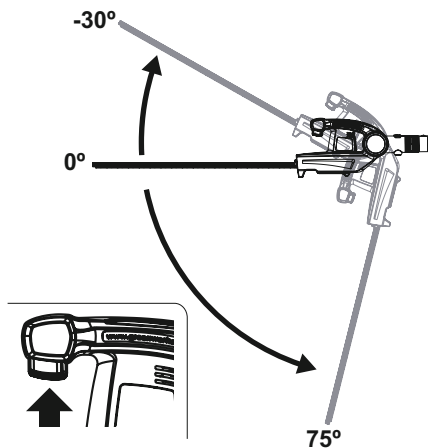
**▲ AVISO**

Sujete la máquina con las dos manos durante el funcionamiento.

**10.2 DETENCIÓN DE LA MÁQUINA**

1. Suelte el gatillo para detener la máquina.

## 10.3 AJUSTE DEL ÁNGULO DEL CABEZAL DE CORTE



El cabezal de corte puede bloquearse en 7 posiciones.

1. Tire del botón de articulación y mueva el cabezal hacia delante o hacia atrás hasta la posición deseada.
2. Suelte el botón de articulación.

### ▲ AVISO

El cabezal de corte debe bloquearse firmemente en su posición.

## 11 MANTENIMIENTO

### ▲ PRECAUCIÓN

No permita que líquidos de frenos, gasolina y otros derivados del petróleo toquen las piezas de plástico. Las sustancias químicas pueden dañar el plástico y hacer que quede inservible.

### ▲ PRECAUCIÓN

No utilice disolventes o detergentes fuertes en la carcasa o los componentes de plástico.

### ▲ AVISO

Retire la batería de la máquina antes de realizar tareas de mantenimiento.

## 11.1 LIMPIEZA DE LA MÁQUINA

### ▲ AVISO

Mantenga la máquina y el motor libres de hojas, ramas o exceso de aceite para evitar riesgos de incendio.

- Utilice un paño húmedo con un detergente suave para limpiar la máquina.
- Limpie toda la humedad con un paño suave y seco.
- Utilice un cepillo pequeño para limpiar los orificios de ventilación.

## 11.2 LUBRICACIÓN DE LA CUCHILLA

Para aumentar la eficiencia y la duración de las cuchillas, lubríquelas cuidadosamente tras cada sesión de trabajo:

- No engrase la cuchilla mientras el cortasetos esté funcionando.
- Coloque la máquina sobre una superficie plana y lisa.
- Utilice un paño suave para limpiar las cuchillas y un cepillo para eliminar más suciedad.
- Utilice una capa ligera de aceite para lubricar las cuchillas a lo largo del filo superior de la cuchilla.

### i NOTA

Recomendamos utilizar aceite de tipo no contaminante.

## 12 ALMACENAMIENTO DE LA MÁQUINA

### i NOTA

Limpie la máquina antes del almacenamiento.

1. Retire la batería.
2. Deje que el motor se enfríe.
3. Compruebe que no haya componentes sueltos o dañados. En caso necesario, sustituya los componentes dañados, apriete los tornillos y los pernos o consulte con una persona de un centro de servicio autorizado.
4. Almacene la máquina en un lugar fresco y seco.

## 13 SOLUCIÓN DE PROBLEMAS

Problema	Posible causa	Solución
El motor se apaga mientras trabaja.	La batería no se ha instalado bien.	Asegúrese de que ha instalado bien la batería en la máquina.
	La batería se ha agotado.	Cargue la batería.
	La máquina ha sufrido daños.	No utilice la máquina y consulte con un centro de servicio.

Problema	Posible causa	Solución
La máquina echa humo durante el funcionamiento.	La máquina ha sufrido daños.	<ol style="list-style-type: none"> <li>1. Detenga la máquina inmediatamente.</li> <li>2. Retire la batería.</li> <li>3. Consulte con un centro de servicio.</li> </ol>
El motor está en marcha, las cuchillas no se mueven.	La máquina ha sufrido daños.	No utilice la máquina y consulte con un centro de servicio.
	Las cuchillas están bloqueadas.	Retire la batería y posteriormente elimine el bloqueo de las cuchillas.
Durante el trabajo se experimenta demasiado ruido o vibración.	Las piezas están sueltas.	<ol style="list-style-type: none"> <li>1. Detenga la máquina.</li> <li>2. Retire la batería.</li> <li>3. Inspeccione si hay daños.</li> <li>4. Compruebe y apriete las piezas sueltas.</li> </ol>
	Las piezas han sufrido daños.	No utilice la máquina y consulte con un centro de servicio.

Por la presente Greenworks garantiza este producto, al comprador original con el comprobante de compra, durante un periodo de tres (3) años frente a defectos en materiales, piezas o mano de obra. A su entera discreción Greenworks reparará o sustituirá cualquiera y todas las piezas que resulten ser defectuosas, con un uso normal, sin coste alguno para el cliente. Esta garantía es válida únicamente para unidades que se hayan utilizado para uso personal que no han sido compradas o alquiladas para uso industrial/comercial y cuyo mantenimiento se ha realizado de acuerdo con las instrucciones del manual del propietario suministrado con el producto nuevo.

#### ARTÍCULOS NO CUBIERTOS POR LA GARANTÍA:

1. Cualquier pieza que no funcione debido a mal uso, uso comercial, abuso, negligencia, accidente, mantenimiento inadecuado o alteración; o
2. La unidad, si no ha sido utilizada o mantenida de acuerdo con el manual del propietario; o
3. Desgaste normal;
4. Artículos de mantenimiento de rutina tales como lubricantes, afilado de cuchillas;
5. Deterioro normal del acabado exterior debido al uso o la exposición.

#### LÍNEA DE ASISTENCIA TELEFÓNICA:

Puede contactar con el servicio de garantía llamando a nuestra línea de asistencia telefónica gratuita a 1-888-909-6757.

#### COSTES DE TRANSPORTE:

Los costes de transporte por el desplazamiento de cualquier unidad o accesorio de equipos eléctricos son responsabilidad del comprador. Es responsabilidad del comprador pagar los costes de transporte de cualquier pieza enviada para su sustitución bajo esta garantía, a menos que dicha devolución sea solicitada por escrito por Greenworks.

#### Dirección en EE.UU.: Dirección en Canadá:

Greenworks Tools	Greenworks Tools Canada, Inc.
P.O. Box 1238	P.O. Box 93095, Newmarket, Ontario
Mooresville, NC 28115	L3Y 8K3

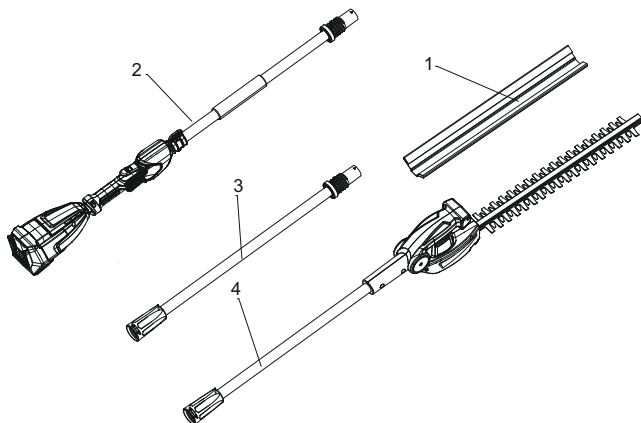
## 14 DATOS TÉCNICOS

Tensión	24 V
Velocidad sin carga	3000 (±10%) SPM
Longitud de cuchilla	20" (510 mm)
Capacidad de corte	0.7" (18 mm)
Peso (sin batería)	8.8 lbs. (4 kg)
Modelo de batería	BAG 708 y otras series BAG
Modelo de cargador	CAG 801 y otras series CAG

## 15 GARANTÍA LIMITADA



## 16 VISTA DESPIEZADA



Nº	Nº pieza	Cant.	Descripción
1	RB34110648	1	Cubierta de cuchilla
2	R0202898-00	1	Conjunto de asa posterior
3	R0202899-00	1	Tubo alargador
4	R0202900-00	1	Conjunto del cabezal del cortasetos