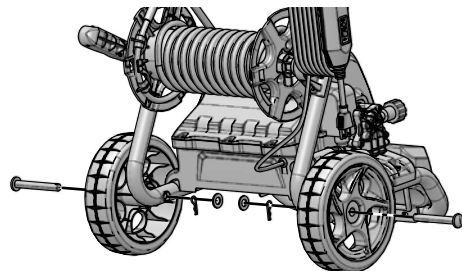


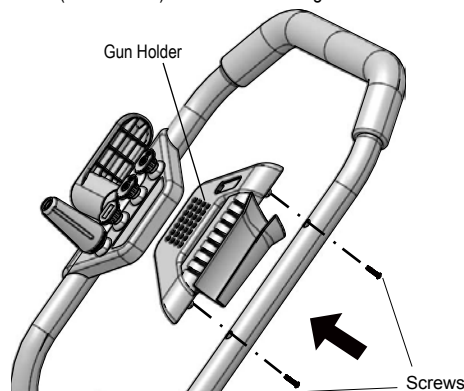
Installing the wheels

- Insert the axle through the wheel and through the frame.
- Slide the washer over the axle pass the pin hole.
- Insert the pin through the hole to firmly fasten the wheel.



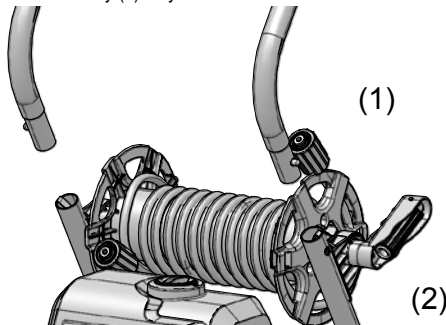
Installing the gun holder

- Line up the screw sleeves with the holes in the upper handle and push through.
- Insert the screw and turn clockwise with a phillips head screw driver (not included) until the screw is tight.



Installing the upper handle

- Push and hold the push-pin button on the side of the upper handle assembly (1) as you slide the handle onto the frame (2).



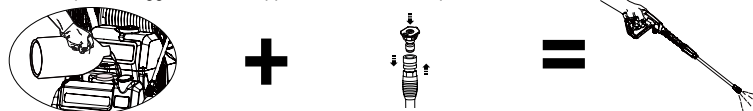
WARNING: This Quick Start Guide is not a substitute for reading the operator's manual. To reduce the risk of injury or death, user must read and understand operator's manual before using this product.

greenworks

**2000 PSI / 1.2 GPM
ELECTRIC PRESSURE WASHER
GPW 2000**

USING DETERGENT

- Put pressure washer detergent in detergent tank.
- Install blue or black soap nozzle.
- Squeeze trigger and wait approx. 1 minute for soap.

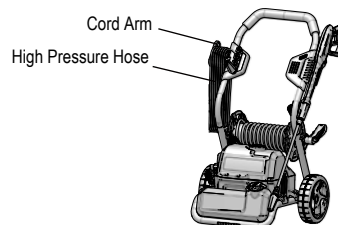


SPRAY TIP	SPRAY TIP APPLICATION
 25°	Green - Narrow fan tip (25°) <ul style="list-style-type: none"> ■ The green pressure washer tip provides high versatility with its 25 degree angle tip. Referred to as the washing tip, because it provides adequate pressure to remove dirt from surfaces, but is designed to not damage many surfaces. This pressure washer tip is designed for "sweeping" foliage or debris given its wide angle. This tip is versatile due to its wide area of cleaning and strong pressure application.
 40°	White - Wide fan tip (40°) <ul style="list-style-type: none"> ■ The white 40 degree tip, referred to as the "fan" tip creates the widest area of cleaning with relatively low pressure. This pressure washer tip is best used for light or delicate cleaning applications. It is recommended for light cleaning on wood decks and other soft or delicate surfaces.
 SOAP	Black - Soap spray tip <ul style="list-style-type: none"> ■ The black soap spray tip, is used for soap application. Soap is applied under low pressure high volume for optimum performance. Soap cannot be applied under high pressure with this machine.
 TURBO	Turbo Nozzle Tip <ul style="list-style-type: none"> ■ The nozzle rotates in a zero to 15 degree spray pattern in a circular motion to break down tough dirt and grime. The spray pattern can cover area of 4 to 8 inches wide, depending on a distance between the tip and the surface being cleaned.

Storing the high pressure hose

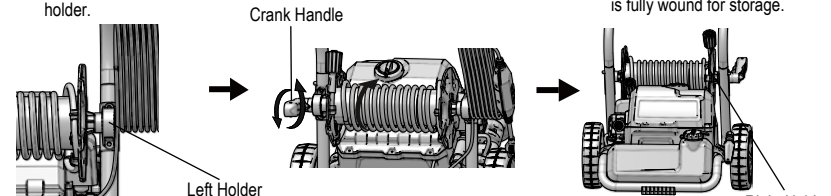
Option (1):

- Roll up the high pressure hose, and hang the hose to the cord arm.



Option (2):

- Fix one end of the high pressure hose to the left side holder.
- Turn the crank handle clockwise.
- Attach the other hose end to the right side holder when the hose is fully wound for storage.



NOTE: Fully remove hose from the hose reel before use.

Set-up

- Connect garden hose to pressure washer water intake.
- Assemble pressure washer gun to spray wand.
- Connect desired pressure tip.
- Take one end of the hose off the holder.
 - Remove the high pressure hose completely from hose reel, then take the other hose end off the holder.
- Insert high pressure hose into trigger handle.
- Connect the high pressure hose to the water outlet connector.
- Turn on water at outlet.
- Run water hose for 120 seconds with the motor in OFF position. This helps drain air from the tank and lines.
- Connect power cord to wall outlet
Extension cord not recommended.
- Turn on Pressure Washer
IMPORTANT: Ensure water outlet is On before turning power On to avoid damage to the pump.

NOTE:

AUTO ON/OFF SWITCH: This Pressure washer is equipped with an Auto Start/Stop feature.
To operate: Turn the power switch to the On (I) position. Pump will pressurize and shut down immediately. Once the trigger of the gun is depressed the unit will turn on. Unit will shut off and be in standby mode when trigger is released.



Missing parts, accessories or need a service center?

Do Not Return to Store
Call : 1-888-909-6757
www.GreenWorksTools.com