

# greenworks

POWERALL  
24V + 24V  
48V

EN CHAINSAW

OPERATOR MANUAL

FR SCIE À CHAÎNE

MANUEL DE L'UTILISATEUR

ES SIERRA DE CADENA

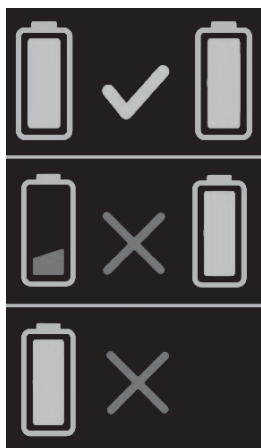
MANUAL DEL OPERADOR





CSE405  
CS48L4411

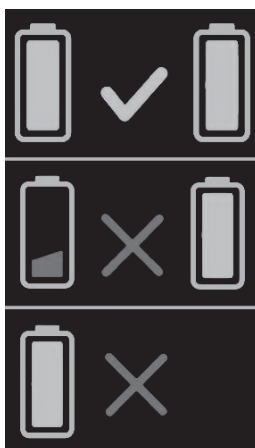
[www.greenworkstools.com](http://www.greenworkstools.com)  
[www.shopgreenworksgear.com](http://www.shopgreenworksgear.com)



## THIS MACHINE MUST HAVE TWO BATTERIES TO RUN!



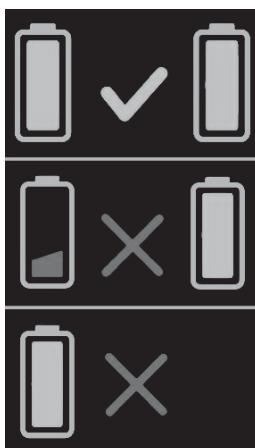
-  • Must use (2) fully charged Greenworks 24V battery packs.
- Do not use battery packs other than Greenworks 24V.
- Using only one battery pack will not start the machine.
-  • Ensure both batteries are charged 100%.
- If each battery has a different charge state, the run-time of the machine is subject to the lowest powered battery (For example: one battery is charged 100%, and the other is charged 50%, the unit will only run until the 50% battery is depleted).
- When using (2) batteries with different amp hours (Ah), the machine will run until the lower (Ah) battery is depleted.



## CETTE MACHINE DOIT AVOIR DEUX BATTERIES POUR FONCTIONNER!



-  • Doit utiliser (2) blocs-piles Greenworks 24 V entièrement chargés.
- N'utilisez pas de batteries autres que Greenworks 24 V.
- L'utilisation d'une seule batterie ne démarrera pas la machine.
-  • Assurez-vous que les deux batteries sont entièrement chargées.
- Si l'état de charge de chaque batterie est différent, l'autonomie de la machine est soumise à la batterie la moins alimentée (par ex., : une batterie est entièrement chargée et l'autre ne l'est qu'à 50 %, l'unité ne fonctionnera que jusqu'au 50 % de la batterie est épuisée).
- Lors de l'utilisation de (2) batteries ayant différents ampères-heures (Ah), la machine fonctionnera jusqu'à ce que la batterie inférieure (Ah) soit épuisée.

## ¡ESTA MÁQUINA DEBE TENER DOS BATERÍAS PARA FUNCIONAR!



-  • Deben utilizarse (2) baterías Greenworks de 24V totalmente cargadas.
- No utilice baterías que no sean de Greenworks 24V.
- La utilización de una sola batería no hará que la máquina se ponga en marcha.
-  • Asegúrese de que ambas baterías estén cargadas al 100%.
- Si cada batería tiene un estado de carga diferente, el tiempo de funcionamiento de la máquina está sujeto a la batería de menor carga (Por ejemplo: una batería está cargada al 100% y la otra al 50%, la unidad solo funcionará hasta que la batería del 50% se agote).
- Cuando se utilizan (2) baterías con diferentes amperios hora (Ah), la máquina funcionará hasta que la batería inferior (Ah) se agote.

<b>1</b>	<b>Description.....</b>	<b>4</b>	8.1	Unpack the machine.....	8
1.1	Purpose.....	4	8.2	Add the bar and chain oil.....	8
1.2	Overview.....	4	8.3	Install the battery pack.....	8
1.3	Packing list.....	4	8.4	Remove the battery pack.....	9
<b>2</b>	<b>General power tool safety</b>		<b>9</b>	<b>Operation.....</b>	<b>9</b>
	<b>warnings.....</b>	<b>4</b>	9.1	Examine the chain oil.....	9
2.1	Work area safety.....	4	9.2	Hold the machine.....	9
2.2	Electrical safety.....	4	9.3	Start the machine.....	9
2.3	Personal safety.....	4	9.4	Stop the machine.....	9
2.4	Power tool use and care.....	5	9.5	Operate the chain brake.....	9
2.5	Battery tool use and care.....	5	9.6	Fell a tree.....	10
2.6	Service.....	5	9.7	Limb a tree.....	10
<b>3</b>	<b>Safety instructions for chain</b>		9.8	Buck a log.....	10
	<b>saws.....</b>	<b>5</b>	<b>10</b>	<b>Maintenance.....</b>	<b>11</b>
3.1	General chain saw safety warnings:.....	5	10.1	Replace the guide bar and the chain.....	11
3.2	Causes and operator prevention of kickback:.....	6	10.2	Adjust the chain tension.....	12
<b>4</b>	<b>Symbols on the product.....</b>	<b>6</b>	10.3	Sharpen the cutters.....	13
<b>5</b>	<b>Risk levels.....</b>	<b>7</b>	10.4	Guide bar maintenance.....	13
<b>6</b>	<b>Environmentally safe battery</b>		<b>11</b>	<b>Transportation and storage.....</b>	<b>14</b>
	<b>disposal.....</b>	<b>7</b>	<b>12</b>	<b>Troubleshooting.....</b>	<b>14</b>
<b>7</b>	<b>Proposition 65.....</b>	<b>8</b>	<b>13</b>	<b>Technical data.....</b>	<b>15</b>
<b>8</b>	<b>Installation.....</b>	<b>8</b>	<b>14</b>	<b>Limited warranty.....</b>	<b>15</b>
			<b>15</b>	<b>Exploded view.....</b>	<b>17</b>

## 1 DESCRIPTION

### 1.1 PURPOSE

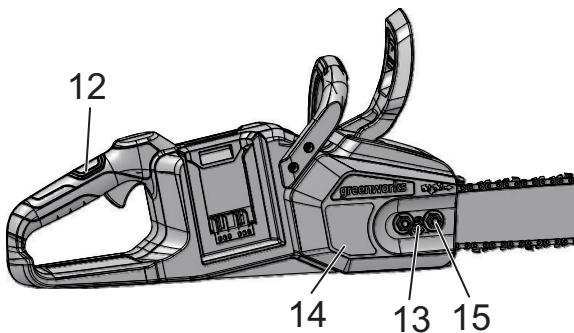
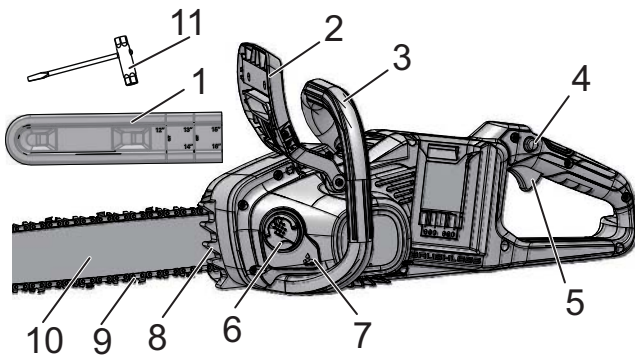
This chainsaw is designed for cutting branches, trunks, logs and beams of a diameter determined by the cutting length of the guide bar. It is only designed to cut wood.

It is only to be used in an outdoor, domestic application by adults.

Do not use the chainsaw for any purpose not listed above.

This chainsaw is not to be used for professional tree services. It is not to be used by children or by persons not wearing adequate personal protective equipment and clothing.

### 1.2 OVERVIEW



1	Guide bar cover	9	Chain
2	Front handle guard / chain brake	10	Guide bar
3	Front handle	11	Wrench
4	Lock out button	12	Rear handle
5	Trigger	13	Chain tension screw
6	Oil tank cap	14	Chain cover
7	Oil indicator	15	Chain cover nuts
8	Bucking spikes		

### 1.3 PACKING LIST

1	Chainsaw	3	Manual
2	Scabbard	4	Wrench

## 2 GENERAL POWER TOOL SAFETY WARNINGS

### ▲ WARNING

**Read all safety warnings, instructions, illustrations and specifications provided with this power tool. Failure to follow all instructions listed below may result in electric shock, fire and/or serious injury.**

**Save all warnings and instructions for future reference.**

*The term "power tool" in the warnings refers to your battery-operated (cordless) power tool.*

### 2.1 WORK AREA SAFETY

- **Keep work area clean and well lit. Cluttered or dark areas invite accidents.**
- **Do not operate power tools in explosive atmospheres, such as in the presence of flammable liquids, gases or dust. Power tools create sparks which may ignite the dust or fumes.**
- **Keep children and bystanders away while operating a power tool. Distractions can cause you to lose control.**

### 2.2 ELECTRICAL SAFETY

- **Power tool plugs must match the outlet. Never modify the plug in any way. Do not use any adapter plugs with earthed (grounded) power tools. Unmodified plugs and matching outlets will reduce risk of electric shock.**
- **Avoid body contact with earthed or grounded surfaces, such as pipes, radiators, ranges and refrigerators. There is an increased risk of electric shock if your body is earthed or grounded.**
- **Do not expose power tools to rain or wet conditions. Water entering a power tool will increase the risk of electric shock.**
- **Do not abuse the cord. Never use the cord for carrying, pulling or unplugging the power tool. Keep cord away from heat, oil, sharp edges or moving parts. Damaged or entangled cords increase the risk of electric shock.**
- **When operating a power tool outdoors, use an extension cord suitable for outdoor use. Use of a cord suitable for outdoor use reduces the risk of electric shock.**
- **If operating a power tool in a damp location is unavoidable, use a RESIDUAL CURRENT DEVICE (RCD) protected supply. Use of an RCD reduces the risk of electric shock.**

### 2.3 PERSONAL SAFETY

- **Stay alert, watch what you are doing and use common sense when operating a power tool. Do not use a power tool while you are tired or under the influence of drugs, alcohol or medication. A moment of inattention while operating power tools may result in serious personal injury.**

- **Use personal protective equipment. Always wear eye protection.** *Protective equipment such as a dust mask, non-skid safety shoes, hard hat or hearing protection used appropriately will reduce personal injuries.*
- **Prevent unintentional starting. Ensure the switch is in the off position before connecting to power source and/or battery pack and when picking up or carrying the tool.** *Carrying power tools with your finger on the switch or energizing power tools that have the switch on invites accidents.*
- **Remove any adjusting key or wrench before turning the power tool on.** *A wrench or a key left attached to a rotating part of the power tool may result in personal injury.*
- **Do not over-reach. Keep proper footing and balance at all times.** *This enables better control of the power tool in unexpected situations.*
- **Dress properly. Do not wear loose clothing or jewelry. Keep your hair, clothing and gloves away from moving parts.** *Loose clothes, jewelry or long hair can be caught in moving parts.*
- **If devices are provided for the connection of dust extraction and collection facilities, ensure these are connected and properly used.** *Use of dust collection can reduce dust related hazards.*
- **Do not let familiarity gained from frequent use of tools allow you to become complacent and ignore tool safety principles.** *A careless action can cause severe injury within a fraction of a second.*
- **Use the power tool, accessories and tool bits etc. in accordance with these instructions, taking into account the working conditions and the work to be performed.** *Use of the power tool for operations different from those intended could result in a hazardous situation.*
- **Keep handles and grasping surfaces dry, clean and free from oil and grease.** *Slippery handles and grasping surfaces do not allow for safe handling and control of the tool in unexpected situations.*

## 2.5 BATTERY TOOL USE AND CARE

- **Recharge only with the charger specified by the manufacturer.** *A charger that is suitable for one type of battery pack may create a risk of fire when used with another battery pack.*
- **Use power tools only with specifically designated battery packs.** *Use of any other battery packs may create a risk of injury and fire.*
- **When battery pack is not in use, keep it away from other metal objects like paper clips, coins, keys, nails, screws, or other small metal objects that can make a connection from one terminal to another.** *Shorting the battery terminals together may cause burns or fire.*
- **Under abusive conditions, liquid may be ejected from the battery; avoid contact. If contact accidentally occurs, flush with water. If liquid contacts eyes, additionally seek medical help.** *Liquid ejected from the battery may cause irritation or burns.*
- **Do not use a battery pack or tool that is damaged or modified.** *Damaged or modified batteries may exhibit unpredictable behavior resulting in fire, explosion or risk of injury.*
- **Do not expose a battery pack or tool to fire or excessive temperature.** *Exposure to fire or temperature above 130 °C may cause explosion.*
- **Follow all charging instructions and do not charge the battery pack or tool outside the temperature range specified in the instructions.** *Charging improperly or at temperatures outside the specified range may damage the battery and increase the risk of fire.*

## 2.4 POWER TOOL USE AND CARE

- **Do not force the power tool. Use the correct power tool for your application.** *The correct power tool will do the job better and safer at the rate for which it was designed.*
- **Do not use the power tool if the switch does not turn it on and off.** *Any power tool that cannot be controlled with the switch is dangerous and must be repaired.*
- **Disconnect the plug from the power source and/or remove the battery pack, from the power tool before making any adjustments, changing accessories, or storing power tools.** *Such preventive safety measures reduce the risk of starting the power tool accidentally.*
- **Store idle power tools out of the reach of children and do not allow persons unfamiliar with the power tool or these instructions to operate the power tool.** *Power tools are dangerous in the hands of untrained users.*
- **Maintain power tools and accessories. Check for misalignment or binding of moving parts, breakage of parts and any other condition that may affect the power tool's operation. If damaged, have the power tool repaired before use.** *Many accidents are caused by poorly maintained power tools.*
- **Keep cutting tools sharp and clean.** *Properly maintained cutting tools with sharp cutting edges are less likely to bind and are easier to control.*

## 2.6 SERVICE

- **Have your power tool serviced by a qualified repair person using only identical replacement parts.** *This will ensure that the safety of the power tool is maintained.*
- **Never service damaged battery packs.** *Service of battery packs should only be performed by the manufacturer or authorized service providers.*

## 3 SAFETY INSTRUCTIONS FOR CHAIN SAWS

### 3.1 GENERAL CHAIN SAW SAFETY WARNINGS:

- **Keep all parts of the body away from the saw chain when the chain saw is operating. Before you start the**

**chain saw, make sure the saw chain is not contacting anything.** *A moment of inattention while operating chain saws may cause entanglement of your clothing or body with the saw chain.*

- **Always hold the chain saw with your right hand at the rear handle and your left hand at the front handle.** *Holding the chainsaw with a reversed hand configuration increases the risk of personal injury and should never be done.*
- **Hold the chain saw by insulated gripping surfaces only, because the saw chain may contact hidden wiring or its own cord.** *Saw chains contacting a "live" wire may make exposed metal parts of the chain saw "live" and could give the operator an electric shock.*
- **Wear eye protection. Further protective equipment for hearing, head, hands, legs and feet is recommended.** *Adequate protective equipment will reduce personal injury from flying debris or accidental contact with the saw chain.*
- **Do not operate a chain saw, on a ladder, from a rooftop, or any unstable support.** *Operation of a chain saw in this manner could result in serious personal injury.*
- **Always keep proper footing and operate the chain saw only when standing on fixed, secure and level surface.** *Slippery or unstable surfaces may cause a loss of balance or control of the chain saw.*
- **When cutting a limb that is under tension, be alert of spring back.** *When the tension in the wood is released, the spring loaded limb may strike the operator and/or throw the chain saw out of control.*
- **Use extreme caution when cutting brush and saplings.** *The slender material may catch the saw chain and be whipped toward you or pull you off balance.*
- **Carry the chain saw by the front handle with the chainsaw switched off and away from your body. When transporting or storing the chain saw, always fit the guide bar cover.** *Proper handling of the chain saw will reduce the likelihood of accidental contact with the moving saw chain.*
- **Follow instructions for lubricating, chain tensioning and changing the bar and chain.** *Improperly tensioned or lubricated chain may either break or increase the chance for kickback.*
- **Cut wood only. Do not use chain saw for purposes not intended. For example: do not use chain saw for cutting metal, plastic, masonry or non-wood building materials.** *Use of the chain saw for operations different than intended could result in a hazardous situation.*
- **Do not attempt to fell a tree until you have an understanding of the risks and how to avoid them.** *Serious injury could occur to the operator or bystanders while felling a tree.*
- **This chain saw is not intended for tree felling.** *Use of the chain saw for operations different than intended could result in serious injury to the operator or bystanders.*
- **Do not operate a chain saw in a tree unless you have been specifically trained to do so. Operation of a chain**

**saw in a tree without proper training could increase the risk of serious personal injury.**

- **Follow all instructions when clearing jammed material, storing or servicing the chain saw. Make sure the switch is off and the battery pack is removed.** *Unexpected actuation of the chain saw while clearing jammed material or servicing may result in serious personal injury.*

### 3.2 CAUSES AND OPERATOR PREVENTION OF KICKBACK:

Kickback may occur when the nose or tip of the guide bar touches an object, or when the wood closes in and pinches the saw chain in the cut.

Tip contact in some cases may cause a sudden reverse reaction, kicking the guide bar up and back towards the operator.

Pinching the saw chain along the top of the guide bar may push the guide bar rapidly back towards the operator.

Either of these reactions may cause you to lose control of the saw which could result in serious personal injury. Do not rely exclusively upon the safety devices built into your saw. As a chainsaw user, you should take several steps to keep your cutting jobs free from accident or injury.

Kickback is the result of tool misuse and/or incorrect operating procedures or conditions and can be avoided by taking proper precautions as given below:

- **Maintain a firm grip, with thumbs and fingers encircling the chainsaw handles, with both hands on the saw and your body and arm positioned to allow you to resist kickback forces.**

Kickback forces can be controlled by the operator, if proper precautions are taken. Do not let go of the chainsaw.
- **Do not overreach and do not cut above shoulder height.** This helps prevent unintended tip contact and enables better control of the chainsaw in unexpected situations.
- **Only use replacement bars and chains specified by the manufacturer.** Incorrect replacement bars and chains may cause chain breakage and/or kickback.
- **Follow the manufacturer's sharpening and maintenance instructions for the saw chain.** Decreasing the depth gauge height can lead to increased kickback.

## 4 SYMBOLS ON THE PRODUCT

Some of the following symbols may be used on this product. Please study them and learn their meaning. Proper interpretation of these symbols will allow you to operate the product better and safer.

Symbol	Explanation
	Direct current-Type or characteristic of current.
	Precautions that involve your safety.
	Read and understand all instructions before operating the product, and follow all warnings and safety instructions.
	Wear eye and ear protection.
	Do not expose the product to rain or moist conditions.
	Avoid bar nose contact.
	Hold with both hands.
	DANGER! Be careful with kickbacks.
	Wear non-slip, heavy duty gloves.
	Keep all bystanders at least 15m away.

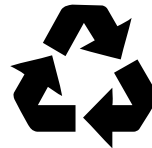
## 5 RISK LEVELS

The following signal words and meanings are intended to explain the levels of risk associated with this product.

SYM-BOL	SIGNAL	MEANING
	DANGER	Indicates an imminently hazardous situation, which, if not avoided, will result in death or serious injury.
	WARNING	Indicates a potentially hazardous situation, which, if not avoided, could result in death or serious injury.
	CAUTION	Indicates a potentially hazardous situation, which, if not avoided, may result in minor or moderate injury.

SYM-BOL	SIGNAL	MEANING
	CAUTION	(Without Safety Alert Symbol) Indicates a situation that may result in property damage.

## 6 ENVIRONMENTALLY SAFE BATTERY DISPOSAL



The toxic and corrosive materials below are in the batteries used in this machine: **Lithium-Ion, a toxic material.**

**▲ WARNING**

Discard all toxic materials in a specified manner to prevent contamination of the environment. Before discarding damaged or worn out Li-ion battery, contact your local waste disposal agency, or the local Environmental Protection Agency for information and specific instructions. Take the batteries to a local recycling and/or disposal center, certified for lithium-ion disposal.

**▲ WARNING**

If the battery pack cracks or breaks, with or without leaks, do not recharge it and do not use. Discard it and replace with a new battery pack. **DO NOT TRY TO REPAIR IT!** To prevent injury and risk of fire, explosion, or electric shock, and to avoid damage to the environment:

- Cover the terminals of the battery with heavy-duty adhesive tape.
- DO NOT try to remove or destroy any of the battery pack components.
- DO NOT try to open the battery pack.
- If a leak develops, the released electrolytes are corrosive and toxic. DO NOT get the solution in the eyes or on skin, and do not swallow it.
- DO NOT put these batteries in your regular household trash.
- DO NOT incinerate.
- DO NOT put them where they will become part of any waste landfill or municipal solid waste stream.
- Take them to a certified recycling or disposal center.

## 7 PROPOSITION 65

### ▲ WARNING

This product contains a chemical known to the state of California to cause cancer, birth defects or other reproductive harm. Some dust created by power sanding, sawing, grinding, drilling, and other construction activities contains chemicals known to cause cancer, birth defects or other reproductive harm. Some examples of these chemicals are:

- Lead from lead-based paints;
- Crystalline silica from bricks and cement and other masonry products;
- Arsenic and chromium from chemically treated lumber.

Your risk of exposure to these chemicals varies depending on how often you do this type of work. To reduce your exposure to these chemicals, work in a well-ventilated area, and work with approved safety equipment, such as dust masks that are specially designed to filter out microscopic particles.

Save these instructions.

## 8 INSTALLATION

### ▲ WARNING

Do not change or make accessories that are not recommended by the manufacturer.

### ▲ WARNING

Do not install battery pack until you assemble all the parts.

### 8.1 UNPACK THE MACHINE

#### ▲ WARNING

Make sure that you correctly assemble the machine before use.

#### ▲ WARNING

- If parts of the machine are damaged, do not use the machine.
- If you do not have all the parts, do not operate the machine.
- If parts are damaged or missing, contact the service center.

1. Open the package.
2. Read the documentation provided in the box.
3. Remove all the unassembled parts from the box.
4. Remove the machine from the box.
5. Discard the box and packing material in compliance with local regulations.

### 8.2 ADD THE BAR AND CHAIN OIL

Examine the amount of oil in the machine. If the oil level is low, add the bar and chain oil as follows.

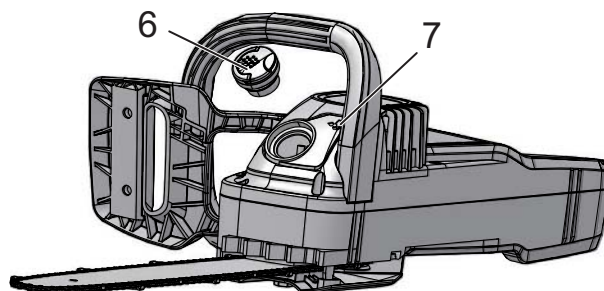
#### i IMPORTANT

Use bar and chain oil that is only for chains and chain oilers.

#### i NOTE

The machine comes from the factory without bar and chain oil.

1. Loosen and remove the cap (6) from the oil tank.

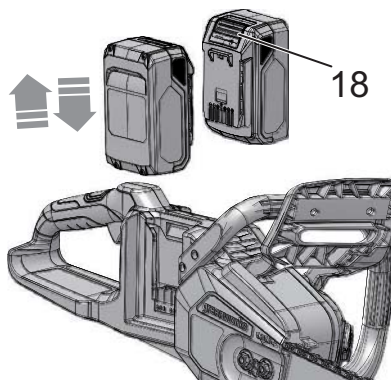


2. Put the oil into the oil tank.
3. Monitor the oil indicator (7) to make sure that no dirt gets into the oil tank while you add the oil.
4. Put the oil cap on.
5. Tighten the oil cap.
6. The whole oil tank will last for approximately 20- 40 minutes.

#### i IMPORTANT

Do not use dirty, used or contaminated oil. Damage can occur to the bar or chain.

### 8.3 INSTALL THE BATTERY PACK





**▲ WARNING**

- If the battery pack or charger is damaged, replace the battery pack or the charger.
- Stop the machine and wait until the motor stops before you install or remove the battery pack.
- Read and understand the instructions in the battery and charger manual.

**i NOTE**

Optimize the power and performance of your new 2x24 machine by running with both batteries charged to 100%.

1. Align the lift ribs on the battery pack with the grooves in the battery compartment.
2. Push the battery pack into the battery compartment until the battery pack locks into place.
3. When you hear a click, the battery pack is installed.

**8.4 REMOVE THE BATTERY PACK**

1. Push and hold the battery release button (18).
2. Remove the battery pack from the machine.

**9 OPERATION****i NOTE**

Remove the battery pack and keep hands clear of the lock out button when you move the machine.

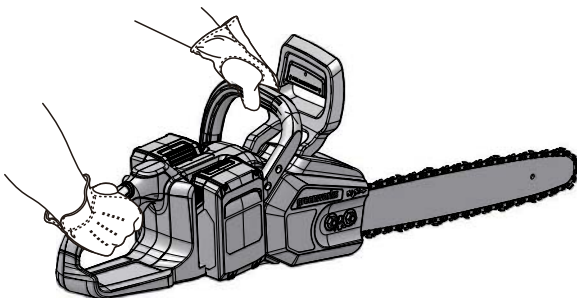
**i IMPORTANT**

Examine the chain tension before each use.

**9.1 EXAMINE THE CHAIN OIL****i NOTE**

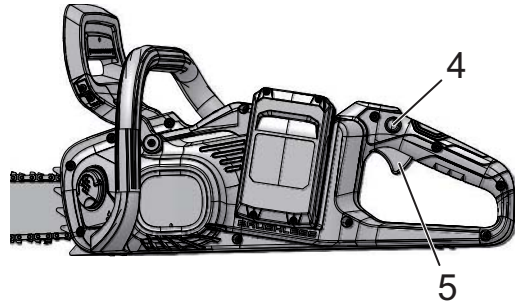
Do not use the machine without sufficient chain oil.

1. Examine the oil level of the machine from the oil indicator.
2. Add oil if necessary.

**9.2 HOLD THE MACHINE**

1. The grip area is within 100 mm behind the lock out button.

2. Hold the chainsaw with your right hand on the rear handle and left hand on the front handle.
3. Hold the handles with the thumbs and the fingers around them.
4. Make sure that your left hand holds the front handle and your thumb is below the handle.

**9.3 START THE MACHINE**

1. Press the lock-out button (4).
2. Press the trigger (5) while you hold the lock-out button.
3. Release the lock-out button.

**i IMPORTANT**

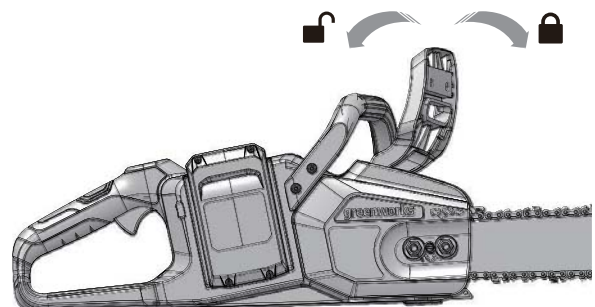
The chain brake must be disengaged for the chain saw to start. Activate the brake by moving the front hand guard forwards.

**9.4 STOP THE MACHINE**

1. Release the trigger to stop the machine.

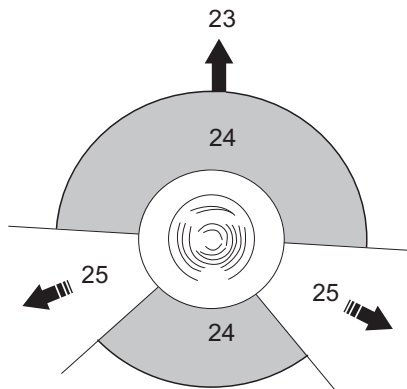
**9.5 OPERATE THE CHAIN BRAKE****▲ WARNING**

Make sure that your hands are on the handles at all times.



1. Start the machine.
2. Push the guard forward to engage the chain brake.
3. Pull the handle guard / chain brake backwards to disengage the chain brake.
4. Call approved service center for repair before use if
  - The chain brake does not stop the chain immediately.
  - The chain brake does not stay in the disengaged position without aid.

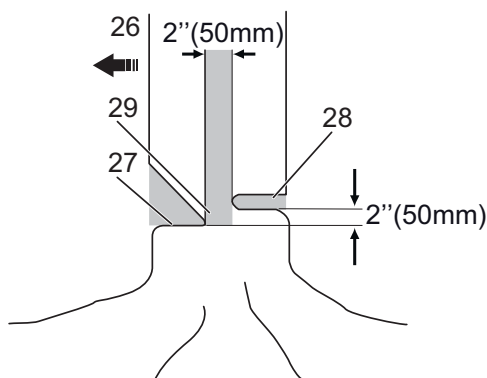
## 9.6 FELL A TREE



It is recommended that the first-time user should, as a minimum practice, start cutting logs on a saw-horse or cradle.

Before you start to fell a tree, make sure that:

- The minimum distance between the areas of bucking and felling performed by two or more persons at the same time is two times the height of the tree felled.
- The operation does not:
  - Cause injury to personnel.
  - Hit utility lines. If the tree touches utility lines, immediately tell the utility company.
  - Cause losses in property.
- The user is not in the danger area (24), for example, the downhill side of the area.
- The escape paths (25) that extend back and diagonally behind the felling direction (23) are clear. The felling direction is controlled by:
  - The natural lean of the tree.
  - The location of larger branches.
  - The wind direction.
- Ensure there is no dirt, stones, loose bark, nails, or staples on the tree.



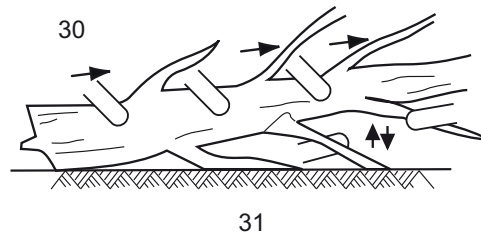
1. **Make a lower level notching cut (27). Make sure that this cut is:**
  - a) 1/3 width of the diameter of the tree.
  - b) Perpendicular to the felling direction.

### ▲ CAUTION

The level notching cut helps prevent pinching of the saw chain or the guide bar when you make the second notch.

2. **Make the felling cut (28) no less than 2 in. (50 mm) or higher than the level notching cut. Make sure that this cut:**
    - a) Is parallel to the level notching cut.
    - b) Keeps sufficient wood 2 in. (50 mm) or 1/10 the diameter of the tree to become a hinge (29) which prevents the tree from twisting and felling in the wrong direction.
- When the felling cut (28) gets near the hinge (29), the tree falls. Stop the felling cut if the tree:
- Does not fall in the correct direction or
  - Moves backwards, causing the cutting bar and chain to become stuck in the cut.
3. **Use felling wedge to open the cut and let the tree fall in the correct direction.**
  4. **When the tree starts to fall:**
    - a) Remove the chainsaw from the cut.
    - b) Stop the machine.
    - c) Put the machine down.
    - d) Move away from the tree via the escape path (25). Always keep watching the tree to see the direction of fall. Be careful with overhead branches and your footing.

## 9.7 LIMB A TREE



Limbing is the removal of the branches from a fallen tree.

1. Keep the larger lower branches to hold the log off the ground (31).
2. Remove the small limbs (30) in one cut.
3. Limb the branches with tension from the bottom to top.
4. Keep the larger lower branches as a support until the log is limbed.

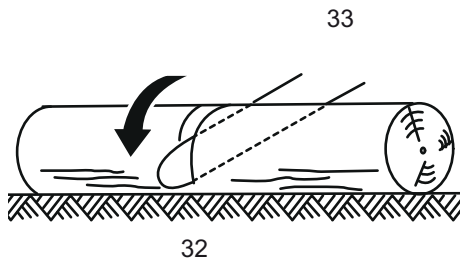
## 9.8 BUCK A LOG

To buck is to cut a log into lengths.

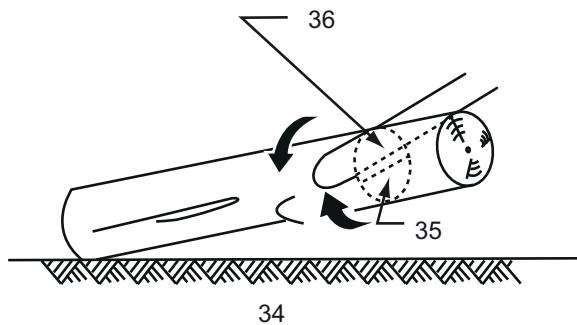
### ▲ CAUTION

Do not let the chainsaw touch the ground.

It is important to make sure your footing is secure and your weight is evenly distributed. If possible, lift the log and hold it with branches, logs or chock. Obey the instructions below:

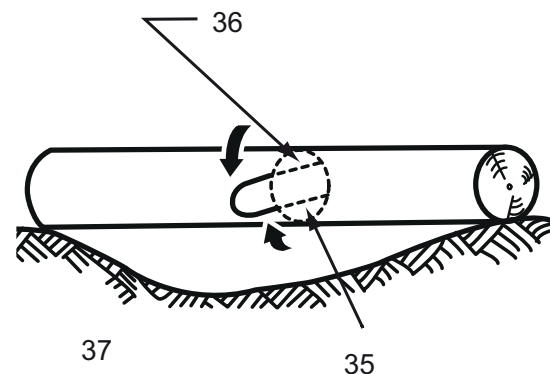


When the log is held along the full length (32), cut it from the top (33).



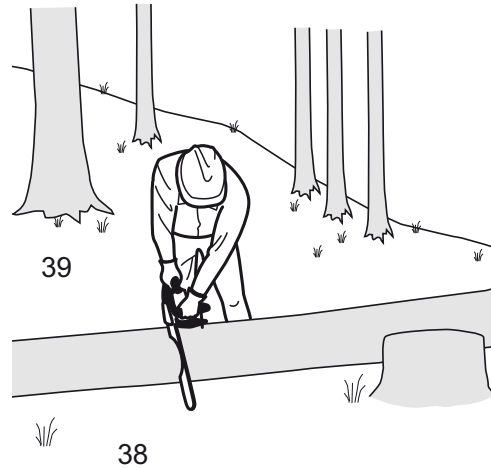
When the log is held on one end (34):

1. Cut the first time 1/3 of the diameter from the bottom (35).
2. Cut the second time from the top (36) to complete the bucking.



When the log is held on two ends (37):

1. Cut the first time 1/3 of the diameter from the top (36).
2. Cut the second time lower 2/3 from the bottom to complete the bucking (35).



When the log is on a slope:

1. Stand on the uphill side.
2. Control the chainsaw completely.
3. Hold the chainsaw handles tightly.
4. Release the cutting pressure near the end of the cut.

When bucking is complete (38):

1. Wait for the chain to stop (39).
2. Ensure the chainsaw is turned off.
3. Check for hazards before you move to another tree.

## 10 MAINTENANCE

### ▲ CAUTION

Do not let brake fluids, gasoline, petroleum-based materials touch the plastic parts. Chemicals can cause damage to the plastic, and make the plastic unserviceable.

### ▲ CAUTION

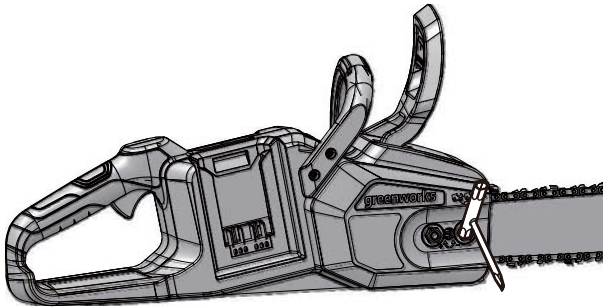
Do not use strong solvents or detergents on the plastic housing or components.

### ▲ WARNING

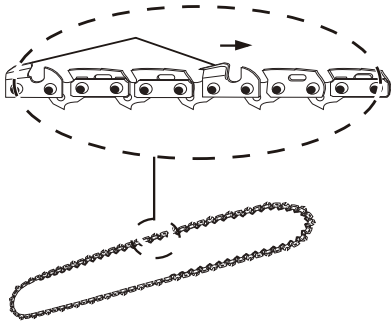
Remove the battery pack from the machine before maintenance.

### 10.1 REPLACE THE GUIDE BAR AND THE CHAIN

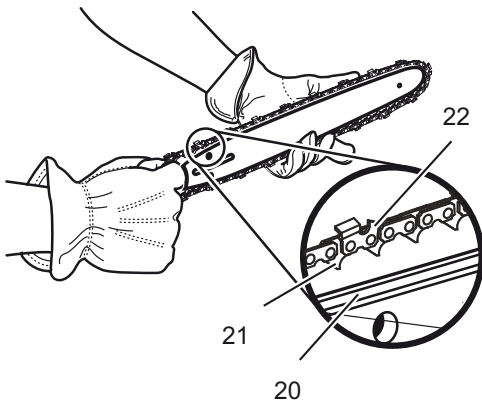
1. Remove the chain cover nuts with the wrench.
2. Remove the chain cover.



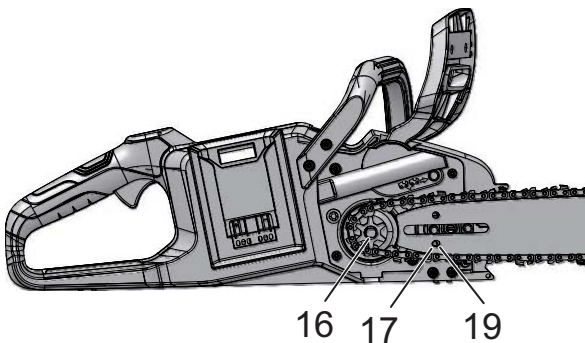
3. Put the chain drive links (21) into the bar groove (20).
4. Put the chain cutters (22) in the direction of the chain operation.



5. Put the chain in position and make sure that the loop is behind the guide bar.
6. Hold the chain and bar.



7. Put the chain loop around the sprocket (16).
8. Make sure the chain tension pin hole (19) on the guide bar fits correctly with the bolt (17).



9. Install the chain cover.
10. Tighten the chain. Refer to *Adjust the chain tension*.

11. Tighten the nuts when the chain is correctly tensioned.

### **i** NOTE

If you start the chain saw with a new chain, have a test for 2-3 minutes. A new chain gets longer after the first use, examine the tension and tighten the chain if necessary.

## 10.2 ADJUST THE CHAIN TENSION

The more you use a chain the longer it becomes. It is therefore important to adjust the chain regularly to take up the slack.

Tension the chain so that it can only just be pulled away from the bar at its center point.

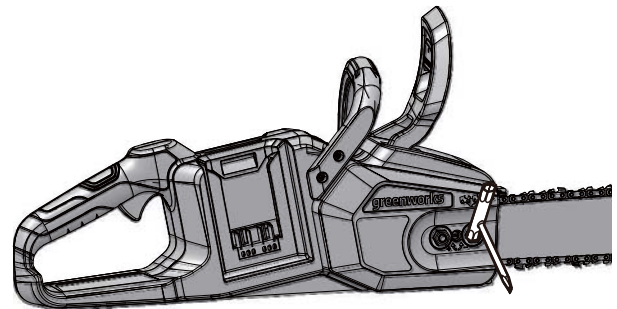
### **▲** WARNING

A slack chain may jump off and cause serious or even fatal injury.

### **▲** CAUTION

Wear protective gloves if you touch the chain, bar or areas around the chain.

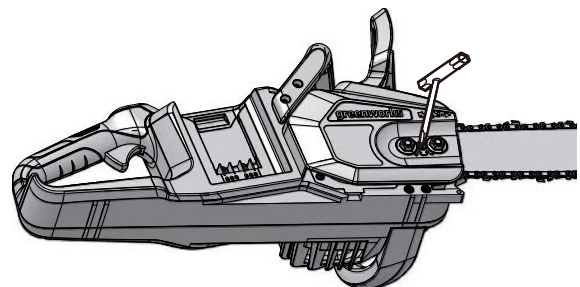
1. Stop the machine.
2. Loosen the lock nuts with the wrench.



### **i** NOTE

It is not necessary to remove the chain cover to adjust the chain tension.

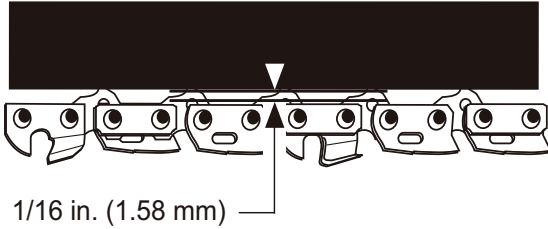
3. Turn the chain adjustment screw clockwise to increase the chain tension.
4. Turn the chain adjustment screw counterclockwise to decrease the chain tension.



5. When the chain is at the wanted tension, tighten the lock nuts.

**i NOTE**

During normal saw operation, the temperature of the chain increases. The drive links of a correctly tensioned warm chain will hang approximately 1/16 in. (1.58 mm) out of the bar groove.



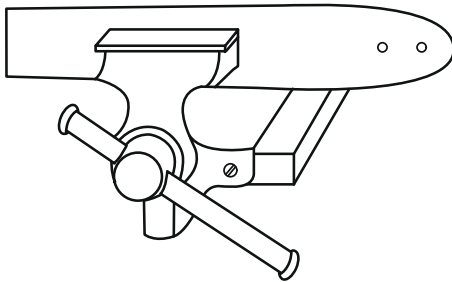
**10.3 SHARPEN THE CUTTERS**

Sharpen the cutters if chain does not go into wood easily.

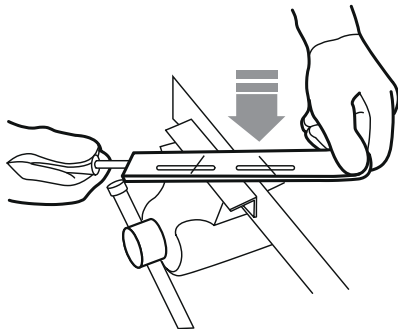
**i NOTE**

We recommend that a service center, which has an electric sharpener, perform important sharpening work.

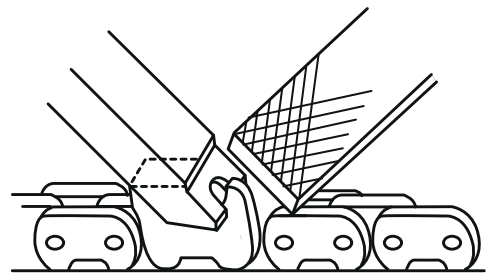
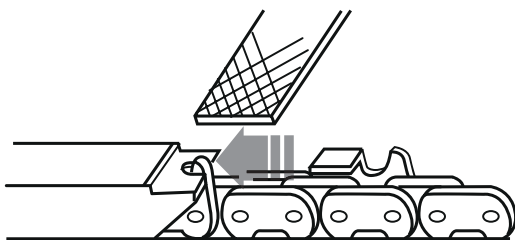
1. Tensioning chain.



2. Sharpen the cutters corner with a 5/32 in. (4 mm) diameter round file .



3. Sharpen the top plate, side plate and depth gauge with a flat file.



4. File all the cutters to the specified angles and the same length.

**i NOTE**

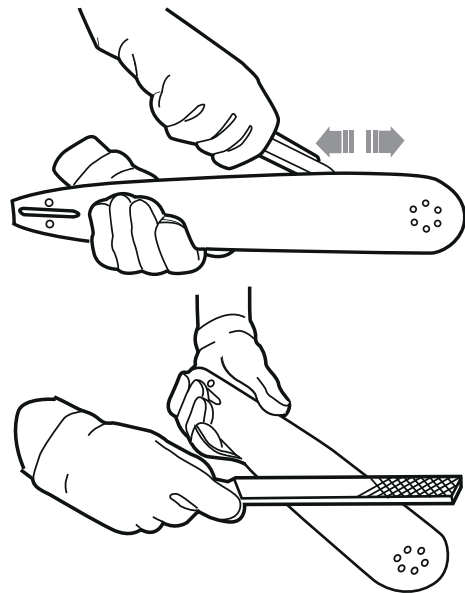
During the process:

- Keep the file flat with the surface to be sharpened.
- Use the midpoint of the file bar.
- Use light but firm pressure when sharpening the surface.
- Lift the file away on each return stroke.
- Sharpen the cutters on one side and then move to the other side.

Replace the chain if:

- The length of the cutting edges is less than 1/5 in. (5 mm).
- There is too much space between the drive links and the rivets.
- The cut speed is slow.
- Sharpening the chain many times but it does not increase the cutting speed. The chain is worn.

**10.4 GUIDE BAR MAINTENANCE**



**i NOTE**

Make sure that the bar is turned over periodically to keep symmetrical wear on the bar.

1. Lubricate the bearings on the nose sprocket (if present) with the syringe (not included).
2. Clean the bar groove with the scraping hook (not included).
3. Clean the lubrication holes.
4. Remove burr from the edges and level the cutters with a flat file.

Replace the bar if:

- the groove does not fit with the height of the drive links (which must never touch the bottom).
- the inside of the guide bar is worn and makes the chain lean to one side.

## 11 TRANSPORTATION AND STORAGE

Before you move the machine, always

- Remove the battery pack from the machine.
- Keep hands clear of the lock-out button.
- Put the scabbard on the guide bar and the chain.

Before you put the machine into storage, always

- Remove all residual oil from the machine.
- Remove the battery pack from the machine.
- Clean all unwanted material from the machine.
- Make sure that the storage area is
  - Not available to children.
  - Away from agents which can cause corrosion, such as garden chemicals and de-icing salts.

## 12 TROUBLESHOOTING

Problem	Possible cause	Solution
The guide bar and the chain become hot and release smoke.	The chain is too tight.	Adjust the chain tension.
	The oil tank is empty.	Add oil.
	Contamination causes a blockage of the discharge port.	Remove the guide bar and clean the discharge port.
	Contamination causes a blockage of the oil tank.	Clean the oil tank. Add new oil.
	Contamination causes a blockage of the guide bar and the oil tank cap.	Clean the guide bar and the oil tank cap.
The motor runs but the chain does not rotate.	Contamination causes a blockage of the sprocket or guide wheels.	Clean the sprocket and the guide wheels.
	The chain is too tight.	Adjust the chain tension.
	The guide bar and the chain are damaged.	Replace the guide bar and the chain if it is necessary.
The motor is damaged.		<ol style="list-style-type: none"> <li>1. Remove the battery pack from the machine.</li> <li>2. Remove the guide bar cover.</li> <li>3. Remove the bar and saw chain.</li> <li>4. Clean the machine.</li> <li>5. Install battery pack and operate the machine.</li> </ol> <p>If the sprocket rotates, it means the motor works properly. If not, call service center.</p>

Problem	Possible cause	Solution
The motor runs and the chain rotates, but the chain does not cut.	The chain is blunt.	Sharpen or replace the saw chain.
	The chain is in the incorrect direction.	Turn the chain loop to the other direction.
	The chain is tight or loose.	Adjust the chain tension.
The machine does not start.	The chain brake is engaged.	Pull the chain brake in the direction of the user to disengage it.
	The machine and battery are not connected correctly.	Make sure that the battery release button clicks when you install the battery pack.
	The battery level is low.	Charge the battery pack.
	The lock out button and the trigger are not pushed at the same time.	<ol style="list-style-type: none"> <li>1. Push the lock-out button and hold it.</li> <li>2. Push the trigger to start the machine.</li> </ol>
	The battery is too hot or too cold.	Refer to battery and charger manual.
The motor runs, but the chain does not cut correctly, or the motor stops after around 3 seconds.	The machine is in the protection mode to protect the PCB.	Release the trigger and start the machine again. Do not force the machine to cut.
	The battery is not charged.	Charge the battery. Refer to the battery and charger manual for correct charging procedures.
	The chain is not lubricated.	Lubricate the chain to decrease the friction. Do not let the guide bar and the chain operate without sufficient oil.
	Incorrect battery storage temperature	Cool the battery pack until it decreases to the ambient temperature.

### 13 TECHNICAL DATA

Voltage	48V (2 x 24V)
No load speed	20 m/s
Guide bar length	16" (406 mm)
Chain pitch	3/8" LP (9.5 mm)
Chain gauge	.043" (1.09 mm)
Drive links	56
Chain oil capacity	180 ml
Weight (without battery pack)	8.4 lbs (3.8 kg)
Chain	90PX056X/CL14356
Guide bar	164MLEA041/ M1431656-1041TL
Battery model	BAG709 and other BAG series
Charger model	CAG817 and other CAG series

#### The recommended ambient temperature range:

Item	Temperature
Appliance storage temperature range	32°F (0°C) - 113°F (45°C)
Appliance operation temperature range	32°F (0°C) - 113°F (45°C)
Battery charging temperature range	39°F (4°C) - 104°F (40°C)
Charger operation temperature range	39°F (4°C) - 104°F (40°C)
Battery storage temperature range	32°F (0°C) - 113°F (45°C)
Battery discharging temperature range	32°F (0°C) - 113°F (45°C)

### 14 LIMITED WARRANTY



Greenworks hereby warrants this product, to the original purchaser with proof of purchase, for a period of three (3) years against defects in materials, parts or workmanship. Greenworks, at its own discretion, will repair or replace any

and all parts found to be defective, through normal use, free of charge to the customer. This warranty is valid only for units which have been used for personal use that have not been hired or rented for industrial/commercial use, and that have been maintained in accordance with the instructions in the owners' manual supplied with the product from new.

**ITEMS NOT COVERED BY WARRANTY:**

- 1. Any part that has become inoperative due to misuse, commercial use, abuse, neglect, accident, improper maintenance, or alteration; or
- 2. The unit, if it has not been operated and/or maintained in accordance with the owner's manual; or
- 3. Normal wear, except as noted below;
- 4. Routine maintenance items such as lubricants, blade sharpening;
- 5. Normal deterioration of the exterior finish due to use or exposure.

**HELPLINE:**

Warranty service is available by calling our toll-free helpline at 1-888-909-6757.

**TRANSPORTATION CHARGES:**

Transportation charges for the movement of any power equipment unit or attachment are the responsibility of the purchaser. It is the purchaser's responsibility to pay transportation charges for any part submitted for replacement under this warranty unless such return is requested in writing by Greenworks.

**USA address:**

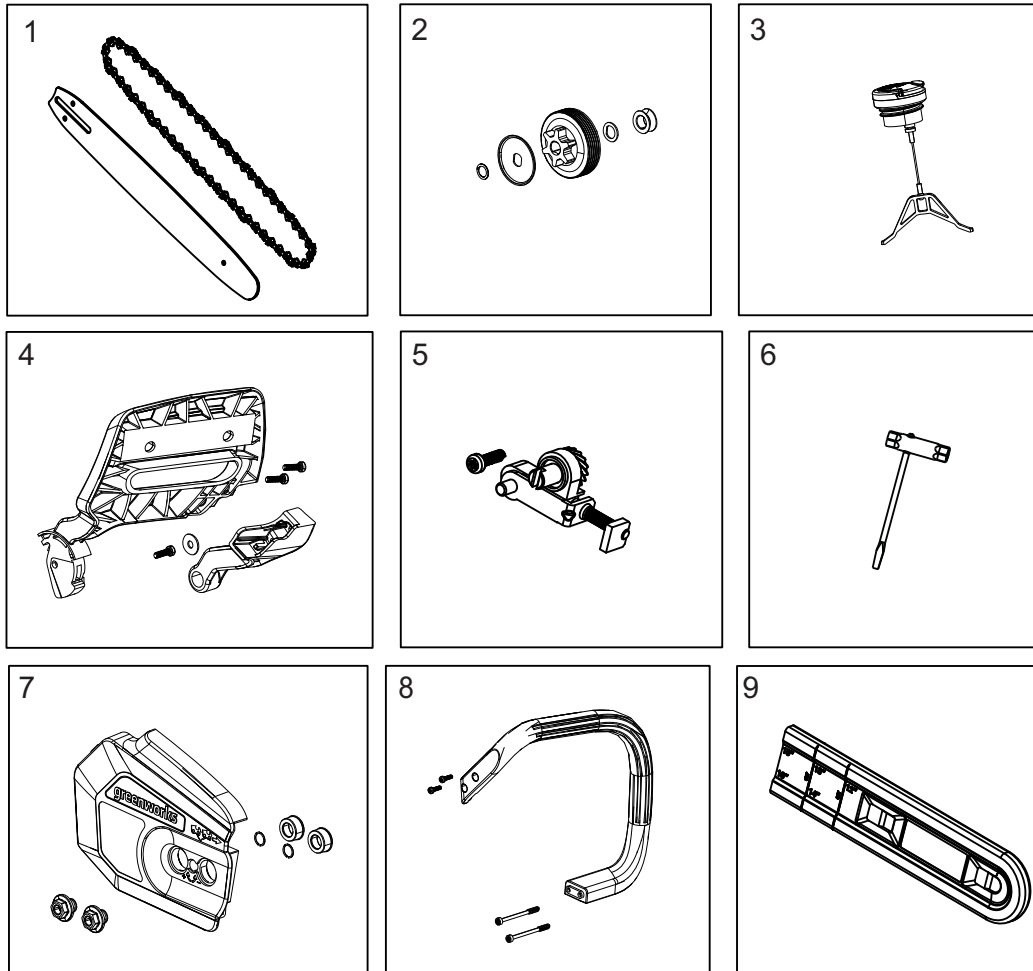
Greenworks Tools  
P.O. Box 1238  
  
Mooresville, NC 28115

**Canadian address:**

Greenworks Tools Canada, Inc.  
P.O. Box 93095, Newmarket,  
Ontario  
  
L3Y 8K3



## 15 EXPLODED VIEW



No.	Part No.	Qty	Description	No.	Part No.	Qty	Description
1	R0202109-00	1	Bar / Chain	6	RB333001890	1	Wrench
2	R0200302-00	1	Sprocket Kit	7	R0202107-00	1	Sprocket Cover Assembly
3	R0200303-00	1	Oil Cap Assembly	8	R0202108-00	1	Auxiliary Handle Kit
4	R0202105-00	1	Chain Brake Handle	9	R0200002-00	1	Scabbard
5	R0202106-00	1	Tensioner Kit				