

greenworks[®]

ED60L03

EN

EDGER

OPERATOR MANUAL

FR

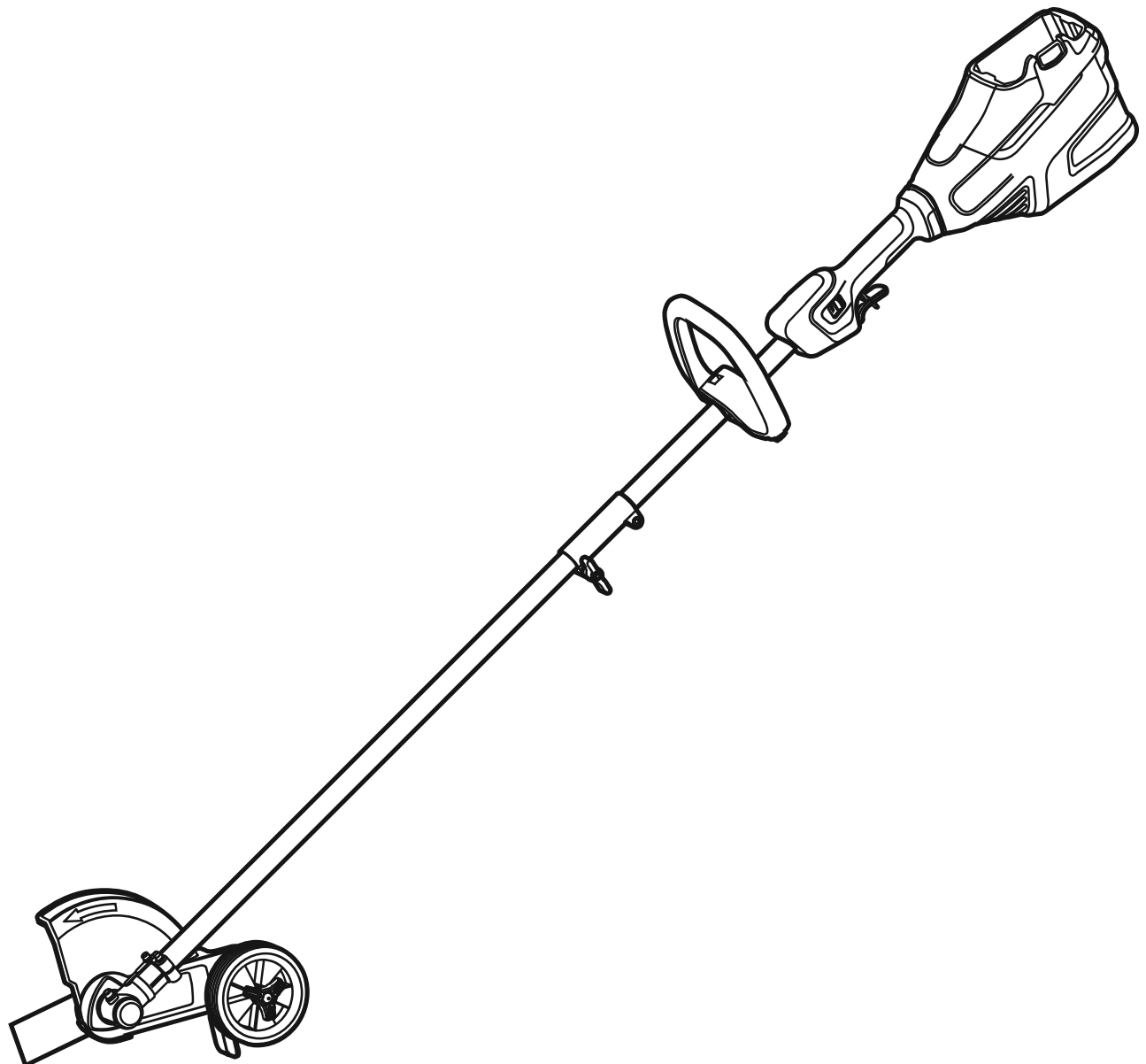
COUPE-BORDURES

MANUEL D'OPÉRATEUR

ES

BORDEADORA

MANUAL DEL OPERADOR



STC459

www.greenworkstools.com

1	Introduction.....	4	6	Maintenance.....	10
1.1	Product description.....	4	6.1	Examine the battery and the battery charger.....	10
1.2	Intended use.....	4	6.2	Clean the product, the battery, and the battery charger....	10
1.3	Product overview.....	4	6.3	Replace the blade.....	10
1.4	Symbols on the product.....	4	6.4	Replace the wheel.....	11
1.5	California Proposition 65.....	4			
2	Safety.....	4	7	Transportation, storage, and disposal.....	11
2.1	Safety definitions.....	4	7.1	Transportation and storage.....	11
2.2	Important safety instructions.....	5	7.2	Disposal of the battery, battery charger, and product.....	12
2.3	Inspect safety features.....	6			
3	Service.....	7	8	Troubleshooting.....	12
4	Assembly.....	7	9	Technical data.....	12
4.1	Assemble the shaft.....	7	10	Limited warranty.....	12
4.2	Install the auxiliary handle.....	7	10.1	Items not covered by warranty.....	12
4.3	Adjust the cutting depth.....	8	10.2	Helpline.....	13
5	Operation.....	8	10.3	Shipping.....	13
5.1	Before you use the product.....	8			
5.2	Operate the product.....	9			
5.3	Stop the product.....	10			

1 INTRODUCTION

1.1 PRODUCT DESCRIPTION

This product is a battery-operated edger with an electrical motor.

We are committed to continuously improving our products, and reserve the right to modify the design and appearance without prior notice.

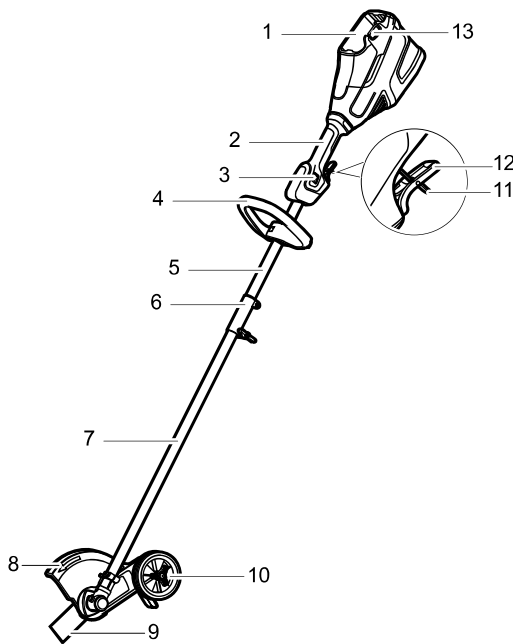
1.2 INTENDED USE

This product is designed for trimming/edging lawn hardscapes and should not be utilized for any other task.

Please note that national or local regulations may regulate the use of the product. It is important to comply with any regulations given.

Always use accessories that have been approved by the manufacturer for use with this product.

1.3 PRODUCT OVERVIEW



- 1 Battery compartment
- 2 Rear handle
- 3 Speed switch
- 4 Auxiliary handle
- 5 Upper shaft
- 6 Coupler
- 7 Lower shaft
- 8 Guard
- 9 Blade
- 10 Guide wheel
- 11 Safety-lock lever

- 12 Trigger
- 13 Battery release button

1.4 SYMBOLS ON THE PRODUCT

Symbol	Explanation
	Precautions that involve your safety.
	Read and understand all instructions before you operate the product and follow all warnings and safety instructions.
	Always wear safety glasses with side shields marked to comply with ANSI Z87.1 when you operate this product.
	Do not expose the product to rain or moist conditions.
	Keep all bystanders at least 50-ft away.
	Do not install or use any type of blade on the product displaying this symbol.
	Thrown objects can ricochet and result in personal injury or property damage.

Note: Other symbols/decals on the product refer to certification requirements.

1.5 CALIFORNIA PROPOSITION 65

WARNING

THIS PRODUCT CONTAINS OR EMITS A CHEMICAL KNOWN TO THE STATE OF CALIFORNIA TO CAUSE CANCER OR BIRTH DEFECTS OR OTHER REPRODUCTIVE HARM.

2 SAFETY

2.1 SAFETY DEFINITIONS

Warnings, cautions, and notes are used to point out especially important parts of the manual.

WARNING

THERE IS A RISK OF INJURY OR DEATH FOR THE OPERATOR OR BYSTANDERS IF THE INSTRUCTIONS IN THE MANUAL ARE NOT OBEYED.

 CAUTION

THERE IS A RISK OF DAMAGE TO THE PRODUCT, OTHER MATERIALS, OR THE ADJACENT AREA, IF THE INSTRUCTIONS IN THE MANUAL ARE NOT OBEYED.

Note: Used to give more information that is necessary in a given situation.

2.2 IMPORTANT SAFETY INSTRUCTIONS

READ ALL INSTRUCTIONS BEFORE USING (THIS POWER TOOL)

 WARNING

READ AND UNDERSTAND ALL INSTRUCTIONS BEFORE USING THIS PRODUCT. FAILURE TO FOLLOW ALL INSTRUCTIONS LISTED BELOW MAY RESULT IN ELECTRIC SHOCK, FIRE, AND/OR SERIOUS PERSONAL INJURY.

- Use only identical manufacturer's replacement parts and accessories. Use of any other parts may create a hazard or cause product damage.
- Always wear safety glasses with side shields marked to comply with ANSI Z87.1. Everyday glasses have only impact resistant lenses. They are NOT safety glasses. Following this rule will reduce the risk of eye injury. Use face mask if operating in dusty workspaces.
- Avoid Dangerous Environment – Don't expose power tools to damp or wet conditions. Water entering a power tool will increase the risk of electric shock.
- Do not use in rain.
- Keep all bystanders, children, and pets at least 50 ft. away.
- Dress Properly – Do not wear loose clothing or jewelry. They can be caught in moving parts. Use of rubber gloves and substantial footwear is recommended when working outdoors. Wear protective hair covering to contain long hair.
- Do not use product for any job except that for which it is intended.
- Prevent unintentional starting. Ensure the switch is in the off-position before connecting to battery pack, picking up or carrying the product. Carrying the product with your finger on the switch or energizing product that have the switch on invites accidents.
- Do not grasp the exposed cutting blades or cutting edges when picking up or holding the product.
- Do not Force Product – It will do the job better and with less likelihood of a risk of injury at the rate for which it was designed.
- Do not overreach – Keep proper footing and balance at all times.
- Stay alert – Watch what you are doing. Use common sense. Do not operate this unit when you are tired, ill or under the influence of alcohol, drugs, or medication.
- Always store idle power tools indoors – When not in use, power tools should be stored indoors in a dry and high or locked-up place, out of reach of children.
- Maintain Product With Care – Keep cutting edge sharp and clean for best performance and to reduce the risk of injury. Follow instructions for lubricating and changing accessories. Inspect product cord periodically, and if damaged, have it repaired by an authorized service facility. Inspect extension cords periodically and replace if damaged. Keep handles dry, clean, and free from oil and grease. Failure to do so can cause serious injury.
- Check damaged parts before using the product, a guard or other part that is damaged should be carefully checked to determine that it will operate properly and perform its intended function. Check for alignment of moving parts, binding of moving parts, breakage of parts, damaged mountings, and any other condition that may affect its operation. A guard or other part that is damaged should be properly repaired or replaced by an authorized service center unless indicated elsewhere in this manual.
- Do not modify or attempt to repair the product or the battery pack (as applicable) except as indicated in the instructions for use and care.
- Do not charge product in rain, or in wet locations.
- Remove or disconnect battery before servicing, cleaning, or removing material from the gardening product.
- Use products only with specifically designated battery packs. Use of any other battery packs may create a risk of injury and fire.
- Recharge only with the charger specified by the manufacturer. A charger that is suitable for one type of battery pack may create a risk of fire when used with another battery pack.
- Use only with Greenworks LB60251 / LB6041 / LB6042 / LB6051 / LB6081 battery or other BAC series.
- Use only with Greenworks CAC801 / CH60R00 / CH60DP01 / CHDPC10A charger or other CAC series.
- When battery pack is not in use, keep it away from other metal objects, like paper clips, coins, keys, nails, screws, or other small metal objects, that can make a connection from one terminal to another. Shorting the battery terminals together may cause a fire.
- Under abusive conditions, liquid may be ejected from the battery; avoid contact. If contact accidentally occurs, flush with water. If liquid contacts eyes, additionally seek medical help. Liquid

ejected from the battery may cause irritation or burns.

- Do not use a battery pack or product that is damaged or modified. Damaged or modified batteries may exhibit unpredictable behavior resulting in fire, explosion, or risk of injury.
- Do not expose a battery pack or product to fire or excessive temperature. Exposure to fire or temperature above 265 °F (130 °C) may cause an explosion.
- Do not dispose of the batteries in a fire. The cells may explode. Check with local codes for possible special disposal instructions.
- Do not open or mutilate the batteries. Released electrolyte is corrosive and may cause damage to the eyes or skin. It may be toxic if swallowed.
- Exercise care in handling batteries in order not to short the battery with conducting materials such as rings, bracelets, and keys. The battery or conductor may overheat and cause burns.
- Follow all charging instructions and do not charge the battery pack or product outside of the temperature range specified in the instructions. Charging improperly or at temperatures outside of the specified range may damage the battery and increase the risk of fire.
- Disconnect the battery pack from the product before making any adjustments, changing accessories, or storing product. Such preventive safety measures reduce the risk of starting the product accidentally.
- Have servicing performed by a qualified repair person using only identical replacement parts. This will ensure that the safety of the product is maintained.
- Keep guards in place and in working order.
- Keep hands and feet away from cutting area.
- Keep blades sharp.

The recommended ambient temperature range:

Condition	Temperature
Product storage	32°F (0°C) - 113°F (45°C)
Product operation	32°F (0°C) - 113°F (45°C)
Battery charging	39°F (4°C) - 104°F (40°C)
Charger operation	39°F (4°C) - 104°F (40°C)
Battery storage	32°F (0°C) - 113°F (45°C)
Battery discharging	32°F (0°C) - 113°F (45°C)

SAVE THESE INSTRUCTIONS

2.3 INSPECT SAFETY FEATURES

- Examine the work area to identify any potential hazards, such as uneven terrain, slopes, rocks, branches, or ditches.
- Perform all required safety inspections, maintenance, and servicing as specified in this manual.
- Check that all covers, guards, handles, and cutting equipment are properly attached and undamaged.
- Check the cutting attachment and cutting attachment guard for any damage or cracks and replace if necessary.

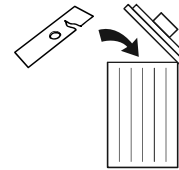
2.3.1 CHECK THE SAFETY-LOCK LEVER AND TRIGGER

The safety-lock lever is designed to prevent accidental operation. *See **Product overview** to find where these parts are located on your product.*

1. Make sure that the trigger is locked when the safety-lock lever is not pressed.
2. Make sure that the trigger and safety-lock lever move freely and that the return spring works correctly.
3. Simultaneously push the safety-lock lever and pull the trigger to start the product.
4. Release the trigger and make sure that the cutting attachment stops completely.

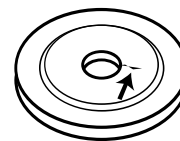
2.3.2 CHECK THE BLADE

Inspect the blade for damage or cracks. Replace if necessary.



2.3.3 CHECK THE SUPPORT FLANGE

Inspect the support flange for damage or cracks. Replace if necessary.

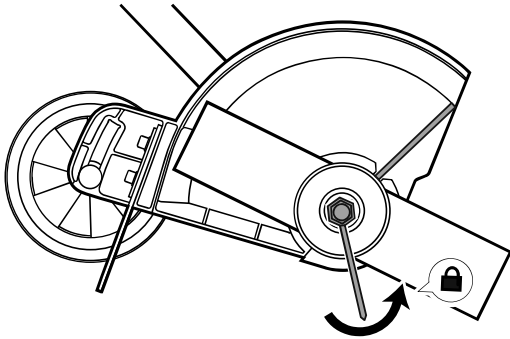


2.3.4 CHECK THE LOCKNUT

⚠ CAUTION

THE NYLON LINING WITHIN THE LOCKNUT SHOULD NOT BE SO WORN THAT IT CAN BE TURNED BY HAND. THE LOCKNUT NEEDS TO BE REPLACED AFTER IT HAS BEEN SCREWED ON 10 TIMES.

During installation, tighten the locknut by rotating counterclockwise. To remove it, rotate clockwise.



3 SERVICE

Servicing requires extreme care, and knowledge and must be performed only by a qualified service technician. Consult your nearest AUTHORIZED SERVICE CENTER for repair. Call 1-855-345-3934 to obtain the address. Only use identical manufacturer's replacement parts and accessories from the AUTHORIZED SERVICE CENTER.

4 ASSEMBLY

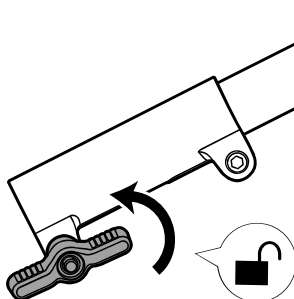
This section describes how to assemble and adjust the product.

⚠ WARNING

CAREFULLY READ AND UNDERSTAND THE SAFETY CHAPTER AND THE ASSEMBLY INSTRUCTIONS BEFORE YOU ASSEMBLE THE PRODUCT.

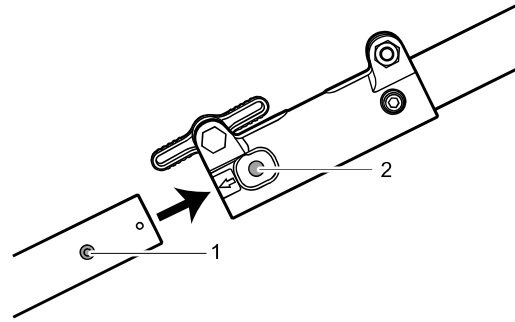
4.1 ASSEMBLE THE SHAFT

1. Loosen the knob on the coupler.



2. Push in the release button (1) on the lower shaft.

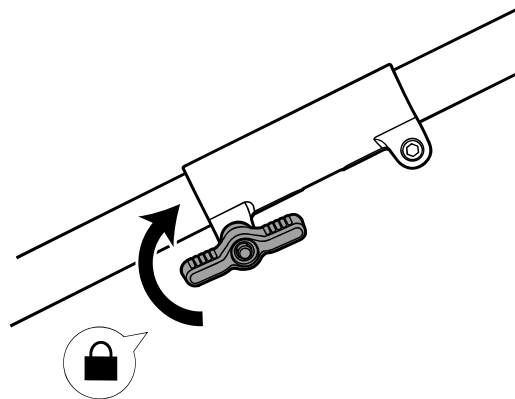
3. Align the release button with the mounting hole (2) and slide the two shafts together.



⚠ CAUTION

EXERCISE CAUTION WHILE SLIDING THE TWO SHAFTS TOGETHER TO PREVENT ANY RISK OF PINCHING YOUR HANDS OR FINGERS.

4. Turn the lower shaft until the button locks into the mounting hole.
5. Securely tighten the knob.



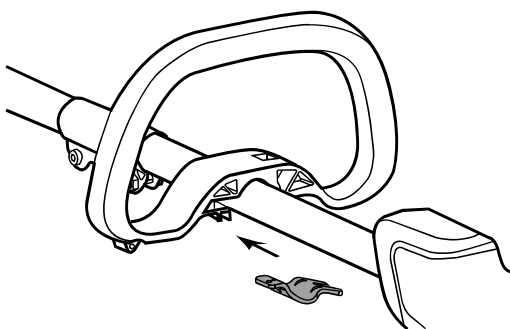
Note: When properly assembled, the upper and lower shaft should not separate when pulled.

⚠ WARNING

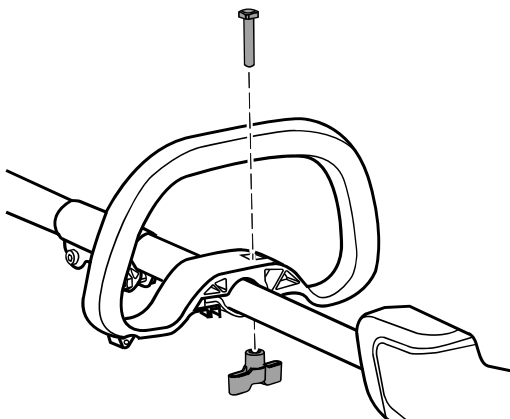
CAREFULLY FOLLOW THE ASSEMBLY INSTRUCTIONS AS DESCRIBED ABOVE. FAILURE TO DO SO MAY LEAD TO THE PRODUCT SEPARATING, WHICH INCREASES THE RISK OF PERSONAL INJURY.

4.2 INSTALL THE AUXILIARY HANDLE

1. Attach the auxiliary handle on the shaft.
2. Place the lower clamp into the slot on the auxiliary handle.



3. Install the bolt and the knob. Do not fully tighten.

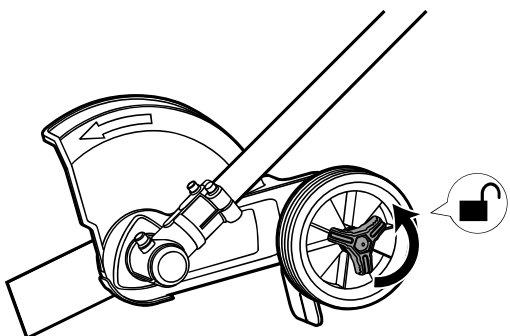


4. Adjust the auxiliary handle to desired position.
5. Securely tighten the wing nut.

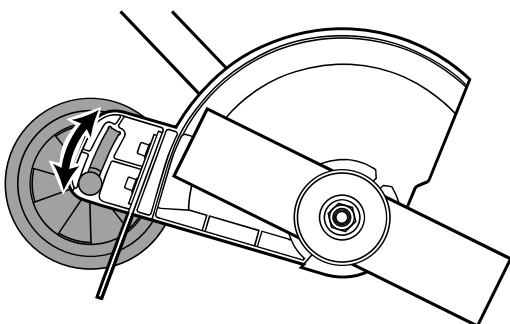
4.3 ADJUST THE CUTTING DEPTH

The cutting depth of the cutting attachment must be adjusted before operating.

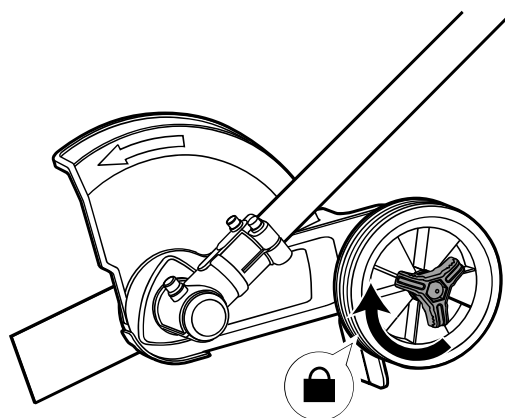
1. Loosen the depth adjustment knob.



2. Set the desired cutting depth of the blade by adjusting the wheel position.



3. Securely tighten the depth adjustment knob.



5 OPERATION

This section describes how to operate the product.

⚠ WARNING

CAREFULLY READ AND UNDERSTAND THE SAFETY CHAPTER AND OPERATION INSTRUCTIONS BEFORE YOU OPERATE THE PRODUCT.

5.1 BEFORE YOU USE THE PRODUCT

5.1.1 CONNECT THE BATTERY CHARGER

Connect the battery charger to the proper voltage and frequency that is specified on the rating plate.

Refer to the Battery Charger Operator Manual for information about how to use the battery charger.

5.1.2 CHARGE THE BATTERY

Refer to the Battery Charger Operator Manual for information about how to use the battery charger.

5.1.3 BATTERY INFORMATION

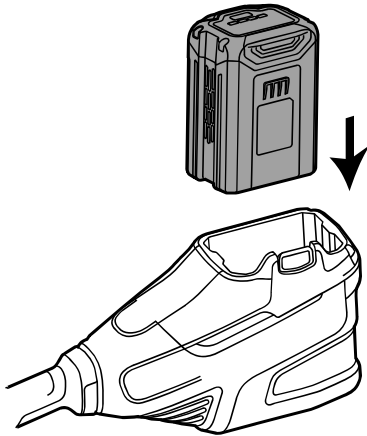
Refer to the Battery Operator Manual for information about how to use the battery.

5.1.4 CONNECT THE BATTERY TO THE PRODUCT

⚠ WARNING

ONLY USE THE ORIGINAL BATTERY WITH THE PRODUCT.

1. Make sure that the battery is fully charged.
2. Push the battery into the battery compartment. The battery locks into position when you hear a click.



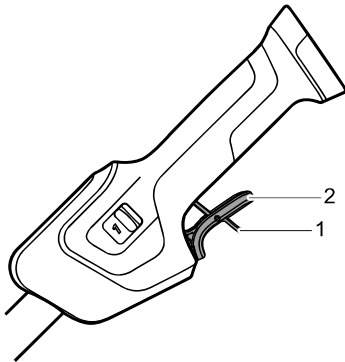
⚠ CAUTION

IF THE BATTERY DOES NOT FIT EASILY INTO THE BATTERY HOLDER, IT MAY NOT BE INSTALLED CORRECTLY, WHICH CAN CAUSE DAMAGE TO THE BATTERY AND/OR THE PRODUCT.

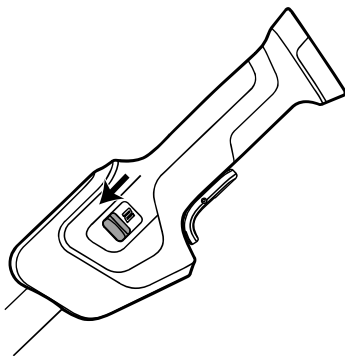
3. Make sure that the battery is installed securely.

5.1.5 START THE PRODUCT

1. Simultaneously push the safety-lock lever (1) and pull the trigger (2).



2. Adjust the speed according to the grass condition by sliding the speed switch.



5.2 OPERATE THE PRODUCT

5.2.1 OPERATION TIPS

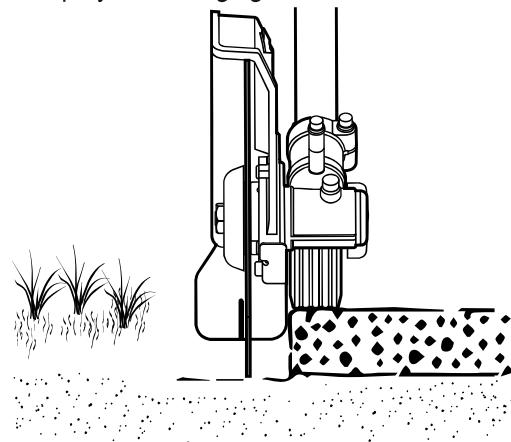
⚠ CAUTION

DO NOT REMOVE THE CUT MATERIAL WHILE THE PRODUCT IS TURNED ON OR THE CUTTING ATTACHMENT IS IN MOTION, AS THIS CAN LEAD TO SEVERE INJURY.

Ensure that you maintain a secure and stable posture while operating the product.



- Always hold the product firmly with both hands and keep it positioned on the right side of your body.
- Use your right hand to control the trigger.
- Always keep the blade near the ground.
- Ensure hands and feet are a safe distance until blade stops.
- Maintain a slow walking pace and ensure there is always a small gap between the blade and the hardscape you are edging.

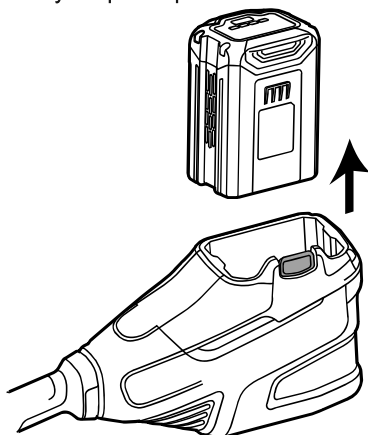


- Make sure that the cut material is directed into a previously cut area.

- Be especially careful when you pull the edger rearward
- If product touches foreign object or vibrates, stop immediately. Check battery for damage. Remove the battery and inspect it to ensure there is no damage.
- Always wear heavy-duty gloves when you attach, examine, or clean the cutting equipment.

5.3 STOP THE PRODUCT

1. Release the trigger.
2. Push the battery release button and pull out the battery to fully stop its operation.



⚠ WARNING

WAIT UNTIL THE MOTOR STOPS BEFORE YOU REMOVE THE BATTERY.

6 MAINTENANCE

This section describes how to maintain the battery, battery charger, and product.

⚠ WARNING

CAREFULLY READ AND UNDERSTAND THE SAFETY CHAPTER AND OPERATION INSTRUCTIONS BEFORE YOU DO ANY MAINTENANCE WORK.

Before you do maintenance:

- Stop the product.
- Remove the battery.
- Allow the motor to cool.
- Use correct clothing, protective gloves, and safety glasses.

6.1 EXAMINE THE BATTERY AND THE BATTERY CHARGER

Carefully inspect the battery, battery charger, and connection cord of the battery charger for any signs

of damage, such as cracks or broken parts. Replace if necessary.

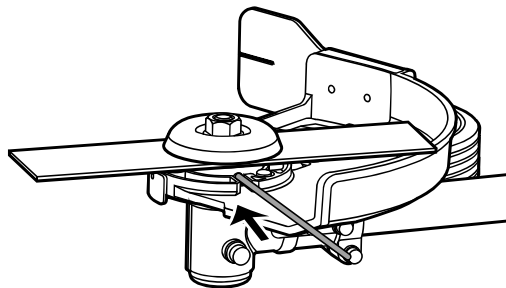
6.2 CLEAN THE PRODUCT, THE BATTERY, AND THE BATTERY CHARGER

- Clean the product after each use with a moist cloth and neutral detergent.
- Do not use strong detergents or solvents like "glass cleaner" to clean the plastic parts or handles.
- Keep the air vents clean and free of debris to avoid overheating and damage to the motor.
- Do not spray water on the motor and electrical components.
- Clean the battery and battery charger with a dry cloth. Keep the battery guide tracks clean.
- Prior to inserting the battery into the battery charger, ensure that the terminals on both the battery and the battery charger are clean.

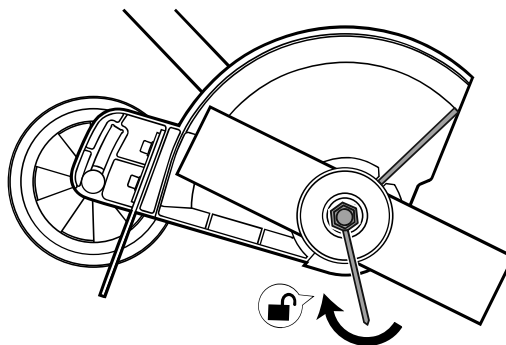
6.3 REPLACE THE BLADE

Note: If the blade is damaged or worn out, replace with a new one (not included).

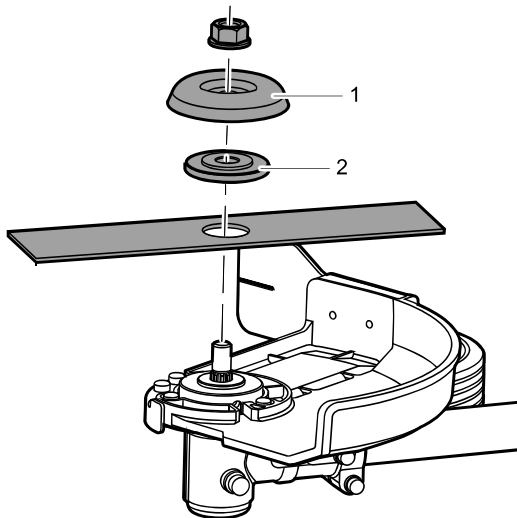
1. Lock the blade rotation by inserting the metal rod in the hole on the drive disc.



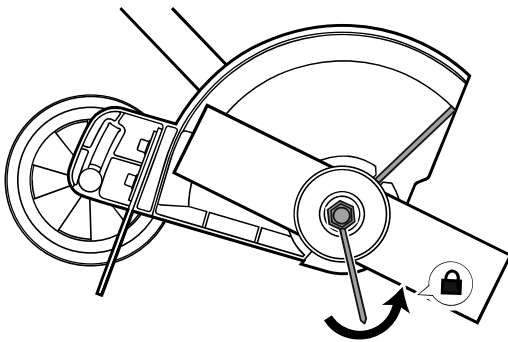
2. Remove the nut by rotating it clockwise with a socket wrench.



3. Remove the outer cup (1) and support flange (2).
4. Remove the old blade and replace it with a new one.

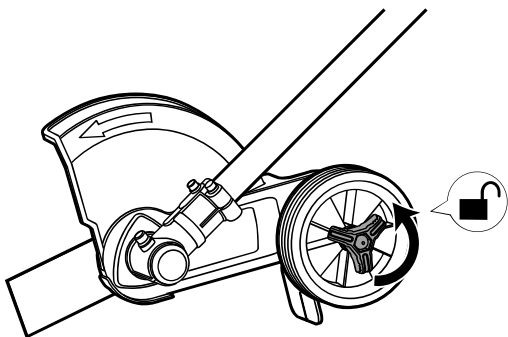


5. Place the support flange and outer cup on the blade.
6. Place the nut onto the outer cup and tighten securely by rotating it counterclockwise.

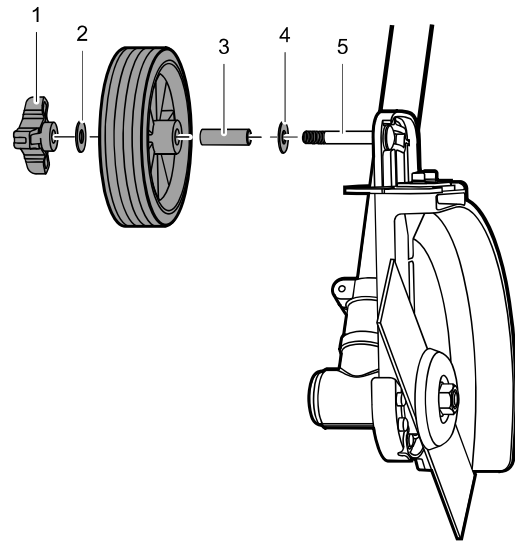


6.4 REPLACE THE WHEEL

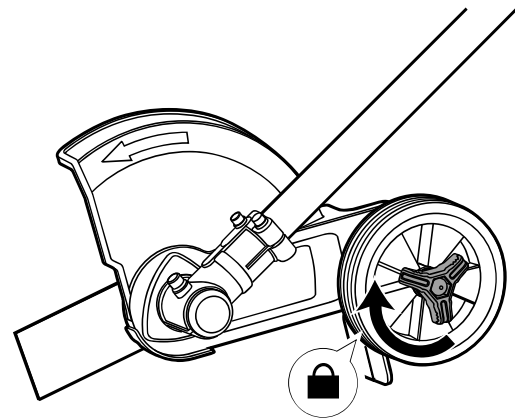
1. Rotate the guide wheel knob (1) counterclockwise to loosen and remove it.



2. Remove the washer (2), wheel, bushing (3), and washer (6) from the wheel axle (5).



3. Replace with a new wheel.
4. Insert the wheel axle through the mounting hole. Install all parts back on the product in the order shown above.
5. Securely tighten the guide wheel knob.



7 TRANSPORTATION, STORAGE, AND DISPOSAL

7.1 TRANSPORTATION AND STORAGE

- Follow special packaging and labeling requirements for commercial transportation, including by third parties and forwarding agents.
- Seek advice from a person with special training in dangerous materials before shipping the product and comply with all applicable national regulations.
- Use tape on open contacts when packaging the battery and ensure it is securely packed to prevent movement.
- Remove the battery before storing or transporting the product.
- Store the battery and battery charger in a dry, moisture-free, and frost-free space.
- Avoid storing the battery in an area where static electricity may occur, and do not store in a metal box.

- Charge the battery 30% to 50% before long-term storage.
- Store the battery charger in a closed and dry space.
- Keep the battery away from the battery charger during storage, and ensure that unauthorized persons, including children, do not touch the equipment. Store the equipment in a lockable space.
- Clean the product and perform full servicing before long-term storage.
- Use transportation guards on the product to prevent injury or damage during transportation and storage.
- Securely stow the product during transport to ensure safe handling.

7.2 DISPOSAL OF THE BATTERY, BATTERY CHARGER, AND PRODUCT

Symbols on the product or the package of the product mean that the product is not domestic waste. Recycle it at a recycling station for electrical and electronic equipment. This helps to prevent damage to the environment and persons.

Get in touch with your local authorities, domestic waste service, or your dealer for more information about how to recycle your product.

8 TROUBLESHOOTING

Problem	Possible Cause	Solution
The product does not start when the trigger is pulled.	No electrical contact between the product and the battery.	1. Remove battery. 2. Inspect the metal contacts and re-insert the battery.
	The battery is depleted.	Charge the battery.
	The safety-lock lever and trigger are not operated simultaneously.	1. Push the safety-lock lever and hold it. 2. Pull the trigger to start the product.
Product stops during use.	Depth is set too low.	Adjust the depth. Refer to <i>Adjust the Cutting Depth</i> section.
	Walking too fast.	Slow down, avoid forcing through grass.

9 TECHNICAL DATA

Type	Cordless, battery powered
Motor	60V Brushless
No load speed	6200/7000 ± 10% RPM
Blade length	8" (203 mm)
Battery model	LB60251 / LB6041 / LB6042 / LB6051 / LB6081 and other BAC series
Charger model	CAC801 / CH60R00 / CH60DP01 / CHDPC10A and other CAC series

10 LIMITED WARRANTY

Greenworks products and batteries are protected against all defects in materials, parts, or workmanship under normal use for a period of 4 years from the shipping date or in-store purchase date.

At its own discretion, **Greenworks** can opt to repair, replace, substitute with a comparable item, or issue a refund for products that are determined to be defective through normal use or that have been damaged during shipment. Proof of purchase and product registration is required. Replacement of products or parts subject to normal wear and tear is the responsibility of the customer.

This warranty is valid only for units which have been maintained in accordance with the instructions found in the operator manual supplied with the product; and for units which have been registered in one of the following ways:

Online: www.greenworkstools.com

Phone: 1-855-345-3934

If **Greenworks** accepts a return under warranty, you can return the defective or damaged product only after you call our Customer Care team and receive a Return Authorization from **Greenworks**. You will also receive a refund for your original shipping charges, and **Greenworks** will arrange and pay for your return shipping charges. To request a Return Authorization, please contact us at 1-855-345-3934.

10.1 ITEMS NOT COVERED BY WARRANTY

- Any part that has become inoperative due to misuse, commercial use, abuse, neglect, accident, improper maintenance, or alteration.
- The unit, if it has not been operated and/or maintained in accordance with the operator manual.

- Normal wear, except as noted below:
 - Routine maintenance items such as lubricants.
 - Normal deterioration of the exterior finish due to use or exposure.
 - Any part/product, that has become inoperable due to use with any non-**Greenworks**-branded parts or batteries/chargers.

10.2 HELPLINE

Warranty service is available by calling our toll-free helpline at: 1-855-345-3934.

10.3 SHIPPING

Transportation charges for the movement of any power equipment unit or attachment are the responsibility of the purchaser. It is the purchaser's responsibility to pay transportation charges for any part submitted for replacement under this warranty unless such return is requested in writing by **Greenworks**.

10.3.1 ADDRESS

USA address:

Greenworks Tools

P.O. Box 1238, Mooresville, NC 28115

Canada address:

Greenworks Tools Canada, Inc.

67 Toll Rd., Holland Landing, ON L9N 1H2

1 INTRODUCTION

1.1 DESCRIPTION DU PRODUIT

Ce produit est un coupe-bordure sur batterie doté d'un moteur électrique.

Nous nous engageons à améliorer en continu nos produits et nous réservons donc le droit de modifier le design et l'apparence sans préavis.

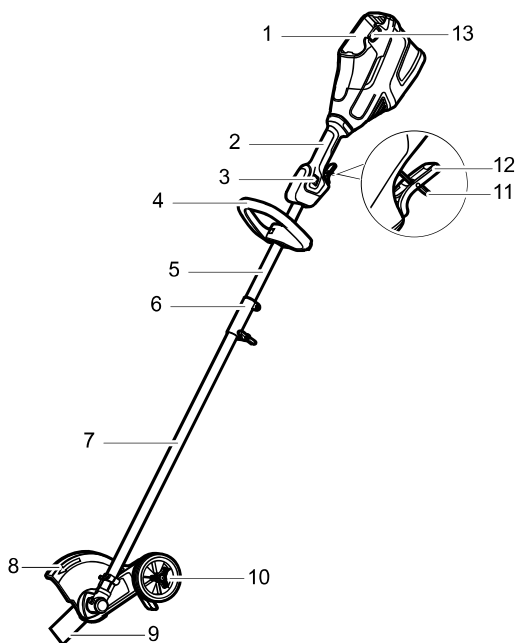
1.2 UTILISATION PRÉVUE

Ce produit est conçu pour couper / tailler les bordures de pelouse et ne devrait être utilisé pour aucune autre tâche.

Veillez noter que des réglementations nationales ou locales peuvent régir l'utilisation du produit. Il est important de se conformer à ces réglementations.

Utilisez systématiquement les accessoires agréés par le fabricant pour un usage avec ce produit.

1.3 PRÉSENTATION DU PRODUIT



- 1 Compartiment à batterie
- 2 Poignée arrière
- 3 Interrupteur de vitesse
- 4 Poignée auxiliaire
- 5 Arbre supérieur
- 6 Coupleur
- 7 Arbre inférieur
- 8 Carter de protection
- 9 Lame
- 10 Roue de guidage
- 11 Levier de verrouillage de sécurité

- 12 Gâchette
- 13 Bouton de déverrouillage de la batterie

1.4 SYMBOLES FIGURANT SUR LA MACHINE

Certains des symboles suivants peuvent être utilisés sur cette machine. Veuillez les étudier et apprendre leur signification. Une bonne interprétation de ces symboles vous permettra de mieux utiliser l'outil et de manière plus sécuritaire.

Symbole	Explication
	Précautions destinées à assurer la sécurité.
	Lisez et comprenez toutes les instructions avant d'utiliser cette machine et suivez tous les avertissements et les consignes de sécurité.
	Portez toujours des lunettes de sécurité dont les écrans latéraux sont conformes à la norme ANSI Z87.1, lorsque vous utilisez cette machine.
	Ne pas exposer la machine à la pluie ou à l'humidité.
	Tenez tous les curieux à une distance d'au moins 15 m (50 pi).
	N'installez ou n'utilisez aucun type de lame sur une machine qui affiche ce symbole.
	Les objets projetés peuvent ricocher et causer des blessures corporelles ou des dommages matériels.

1.5 CALIFORNIA PROPOSITION 65

AVERTISSEMENT

CE PRODUIT CONTIENT OU ÉMET UN PRODUIT CHIMIQUE CONNU DANS L'ÉTAT DE CALIFORNIE COMME ÉTANT UNE CAUSE DE CANCER, DE MALFORMATIONS CONGÉNITALES OU D'AUTRES PROBLÈMES DE REPRODUCTION.

2 SÉCURITÉ

2.1 DÉFINITIONS DE SÉCURITÉ

Les avertissements, précautions et notes mettent l'accent sur des parties spécialement importantes du manuel.

FR

AVERTISSEMENT

L'OPÉRATEUR OU LES BADAUDS SONT EXPOSÉS À UN RISQUE DE BLESSURES, PARFOIS MORTELLES, SI LES INSTRUCTIONS DU MANUEL NE SONT PAS RESPECTÉES.

ATTENTION

LE PRODUIT, LE RESTE DU MATÉRIEL OU LA ZONE ADJACENTE EST EXPOSÉ À UN RISQUE DE DOMMAGES SI LES INSTRUCTIONS DU MANUEL NE SONT PAS RESPECTÉES.

Note : Pour un complément d'information nécessaire dans une situation donnée.

2.2 CONSIGNES DE SÉCURITÉ IMPORTANTES

LISEZ TOUTES LES INSTRUCTIONS AVANT D'UTILISER (CET APPAREIL ÉLECTRIQUE).

AVERTISSEMENT

LISEZ ET COMPRENEZ TOUTES LES INSTRUCTIONS AVANT D'UTILISER CE PRODUIT. LE NON-RESPECT DE TOUTES LES INSTRUCTIONS ÉNUMÉRÉES CI-DESSOUS PEUT ENTRAÎNER UN CHOC ÉLECTRIQUE, UN INCENDIE ET/OU DES BLESSURES GRAVES.

- N'utilisez pas cet outil pour une tâche autre que celle pour laquelle il est conçu.
 - Évitez tout démarrage accidentel. Vérifiez que l'interrupteur marche/arrêt est dans la position d'arrêt avant de brancher l'outil dans une prise électrique et/ou d'insérer une batterie, de saisir l'outil ou de le porter. Transporter un outil électrique avec un doigt sur l'interrupteur ou le brancher sur une alimentation électrique alors que son interrupteur est en position de marche favorise le risque d'accident.
 - Ne saisissez pas les lames ou les arêtes de coupe exposées lorsque vous prenez ou tenez le produit.
 - Ne forcez pas sur l'outil. – L'appareil accomplira mieux la tâche et sera moins susceptible de provoquer des blessures s'il est utilisé à la vitesse pour laquelle il a été conçu.
 - N'essayez pas d'atteindre des endroits difficiles d'accès. – Restez toujours d'aplomb et gardez constamment un bon équilibre.
 - Restez vigilant(e) : – Concentrez-vous sur votre travail. Faites preuve de bon sens. N'utilisez pas cet appareil lorsque vous êtes fatigué(e), malade ou sous l'influence de l'alcool, de drogues ou de médicaments.
 - Rangez toujours les outils électriques inutilisés en intérieur. – Lorsqu'ils ne sont pas utilisés, les outils électriques doivent être rangés en intérieur dans un endroit sec et en hauteur ou verrouillé, hors de portée des enfants.
 - Entretenez le produit avec soin – Gardez les tranchants affûtés et propres pour obtenir le meilleur rendement et réduire le risque des blessures. Suivez les instructions pour la lubrification et le remplacement des accessoires. Inspectez le cordon de l'appareil périodiquement, et s'il comporte des dommages, faites-le réparer par un centre de réparation autorisé. Inspectez les rallonges périodiquement, et remplacez-les si elles sont endommagées. Veillez à ce que les poignées restent propres, sèches et exemptes d'huile et de graisse. Ne pas le faire peut provoquer des blessures graves.
 - Avant d'utiliser l'appareil, vérifiez soigneusement si des pièces sont endommagées et assurez-vous que toutes les pièces fonctionneront correctement et rempliront la fonction pour laquelle elles ont été conçues. Vérifiez l'alignement des pièces mobiles, si des pièces mobiles sont bloquées, si des pièces sont cassées, si les fixations sont endommagées, et toute autre condition susceptible d'affecter le fonctionnement de l'appareil. Une protection ou une autre pièce endommagée doit être correctement réparée ou remplacée par un centre de réparation agréé, sauf indication contraire dans le présent manuel.
 - Ne modifiez pas et n'essayez pas de réparer l'appareil ou la batterie (le cas échéant), sauf si
- Utilisez uniquement des pièces de rechange et des accessoires identiques à ceux du fabricant. L'utilisation de toute autre pièce peut créer un danger ou endommager le produit.
 - Portez toujours des lunettes de sécurité avec des protections latérales marquées comme étant conformes à la norme ANSI Z87.1. Les lunettes de tous les jours n'ont que des verres résistants aux impacts. Ce ne sont PAS des lunettes de sécurité. Le respect de cette règle réduira le risque de blessure aux yeux. Utilisez un masque facial si vous travaillez dans des espaces de travail poussiéreux.
 - Éviter les environnements dangereux. – N'exposez pas les outils électriques à des conditions humides ou mouillées. Si de l'eau pénètre dans un outil électrique, le risque de décharge électrique est accru.
 - Ne l'utilisez pas sous la pluie.
 - Gardez tous les passants, enfants et animaux domestiques éloignés d'au moins 50 pieds.
 - Portez une tenue adaptée. – Ne pas porter de vêtements amples ni de bijoux. Ils peuvent se coincer dans les pièces mobiles. Nous recommandons l'utilisation de gants en caoutchouc et des chaussures robustes lorsque vous travaillez à l'extérieur. Portez un couvre-chef protecteur pour contenir les cheveux longs.

cela est indiqué dans les instructions d'utilisation et d'entretien.

- Ne chargez pas le produit sous la pluie ou dans des endroits humides.
- Retirez ou débranchez la batterie avant de procéder à l'entretien, au nettoyage ou au retrait du matériel de l'appareil de jardinage.
- Utilisez cet outil uniquement avec la batterie spécifiquement indiquée. L'utilisation de toute autre batterie peut créer un risque de blessures et d'incendie.
- La batterie ne doit être rechargée qu'avec le chargeur spécifié par le fabricant. Un chargeur adapté à un seul type de batterie peut présenter un risque d'incendie s'il est utilisé avec une batterie différente.
- Utilisez uniquement le chargeur LB60251 / LB6041 / LB6042 / LB6051 / LB6081 Greenworks ou une batterie BAC d'une autre série.
- Utilisez uniquement le chargeur CAC801 / CH60R00 / CH60DP01 / CHDPC10A Greenworks ou un chargeur CAC d'une autre série.
- Lorsque le boîtier de batterie n'est pas utilisé, il doit être rangé loin de tout objet métallique, tel que trombone, pièce de monnaie, clef, clou, vis et tout autre petit objet métallique qui risquerait de mettre en contact les bornes de la batterie. La mise en court-circuit des bornes de la batterie peut provoquer un incendie.
- Si la batterie est soumise à des conditions d'utilisation excessives, du liquide peut s'en échapper. Évitez tout contact avec ce liquide. En cas de contact accidentel, rincez à l'eau. Si le liquide entre en contact avec les yeux, consultez immédiatement un médecin. Le liquide qui s'échappe des batteries peut provoquer des irritations et des brûlures.
- N'utilisez pas une batterie ou un appareil endommagé ou modifié. Les batteries endommagées ou modifiées peuvent avoir un comportement imprévisible et provoquer un incendie, une explosion ou un risque de blessure.
- N'exposez pas une batterie ou l'appareil au feu ou à une température excessive. L'exposition au feu ou à une température supérieure à 130 °C (265 °F) peut provoquer une explosion.
- Ne jetez pas la batterie dans un feu. Les cellules pourraient exploser. Consultez les codes locaux pour connaître les éventuelles instructions spéciales de mise au rebut.
- N'ouvrez pas la batterie et ne la mutilez pas. L'électrolyte libéré est corrosif et peut provoquer des lésions oculaires ou cutanées. Ils peuvent être toxiques en cas d'ingestion.
- Manipulez la batterie avec précaution afin de ne pas la mettre en contact avec des matériaux conducteurs tels que des bagues, des bracelets

et des clés. La batterie ou le conducteur peuvent surchauffer et provoquer des brûlures.

- Suivez toutes les instructions de charge et ne chargez pas la batterie ou l'appareil en dehors de la plage de température spécifiée dans les instructions. Une charge incorrecte ou à des températures en dehors de la plage spécifiée peut endommager la batterie et augmenter le risque d'incendie.
- Débranchez la batterie de l'appareil avant d'effectuer des réglages, de changer d'accessoires ou de ranger l'appareil. Ces mesures de sécurité permettent de réduire les risques de démarrage accidentel de l'outil.
- Confiez l'entretien de l'appareil à un réparateur qualifié qui n'utilisera que des pièces de rechange identiques. Cela permettra de garantir la sécurité du produit.
- Maintenez les protections en place et en état de marche.
- Gardez les mains et les pieds éloignés de la zone de coupe.
- Gardez les lames bien aiguisées.

Plage de températures ambiantes recommandée :

Condition	Température
Stockage du produit	32 °F (0 °C) - 113 °F (45 °C)
Fonctionnement du produit	32 °F (0 °C) - 113 °F (45 °C)
Charge de la batterie	39 °F (4 °C) - 104 °F (40 °C)
Fonctionnement du chargeur	39 °F (4 °C) - 104 °F (40 °C)
Stockage de la batterie	32 °F (0 °C) - 113 °F (45 °C)
Batterie déchargée.	32 °F (0 °C) - 113 °F (45 °C)

CONSERVEZ CES INSTRUCTIONS

2.3 INSPECTION DES FONCTIONNALITÉS DE SÉCURITÉ

- Examinez la zone de travail pour identifier tout danger potentiel, comme un terrain irrégulier, des pentes, des rochers, des branches ou des fossés.
- Effectuez tous les travaux obligatoires d'inspection de sécurité, de maintenance et d'entretien spécifiés dans ce manuel.
- Vérifiez que tous les caches, protections, poignées et équipement de coupe sont bien fixés et intacts.

- Vérifiez l'état et les fissures sur l'accessoire de coupe et sa protection et remplacez si nécessaire.

FR

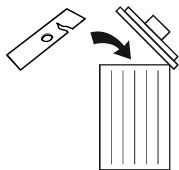
2.3.1 VÉRIFICATION DU LEVIER DE VERROUILLAGE DE SÉCURITÉ ET DE LA GÂCHETTE

Le levier de verrouillage de sécurité est conçu pour éviter tout fonctionnement accidentel. Voir l'**Aperçu du produit** pour localiser ces pièces sur votre produit.

1. Assurez-vous que la gâchette est verrouillée quand le levier de verrouillage de sécurité n'est pas actionné.
2. Assurez-vous que la gâchette et le levier de verrouillage de sécurité bougent librement et que le ressort de rappel fonctionne correctement.
3. Simultanément, poussez le levier de verrouillage de sécurité et tirez sur la gâchette pour démarrer le produit.
4. Relâchez la gâchette et assurez-vous que l'accessoire de coupe s'arrête complètement.

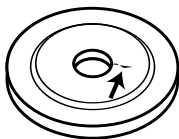
2.3.2 VÉRIFICATION DE LA LAME

Vérifiez que la lame n'est pas endommagée ni fissurée. Remplacez si nécessaire.



2.3.3 VÉRIFICATION DE LA BRIDE DE SUPPORT

Vérifiez que la bride de support n'est pas endommagée ni fissurée. Remplacez si nécessaire.

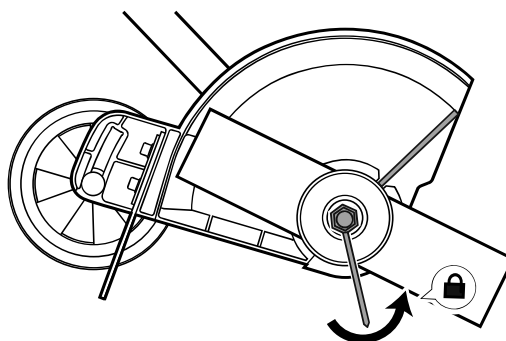


2.3.4 VÉRIFIEZ LE CONTRE-ÉCROU

⚠ ATTENTION

LE REVÊTEMENT EN NYLON DE L'ÉCROU DE BLOCAGE NE DOIT PAS ÊTRE USÉ AU POINT DE NE PLUS POUVOIR LE TOURNER À LA MAIN. LE CONTRE-ÉCROU DOIT ÊTRE REMPLACÉ APRÈS AVOIR ÉTÉ VISSÉ 10 FOIS.

Lors de l'installation, serrez le contre-écrou en le tournant dans le sens inverse des aiguilles d'une montre. Pour le retirer, tournez-le dans le sens des aiguilles d'une montre.



3 SERVICE

L'entretien nécessite un soin extrême et une connaissance approfondie. Il doit être effectué uniquement par un technicien d'entretien qualifié. Consultez votre CENTRE D'ENTRETIEN AGRÉÉ le plus proche pour les réparations. Appelez 1-855-345-3934 pour obtenir l'adresse. Utilisez uniquement des accessoires et des pièces de rechange identiques du fabricant d'un CENTRE D'ENTRETIEN AGRÉÉ.

4 ASSEMBLAGE

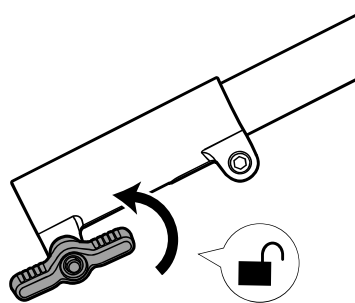
Cette section décrit la méthode d'assemblage et de réglage du produit.

⚠ AVERTISSEMENT

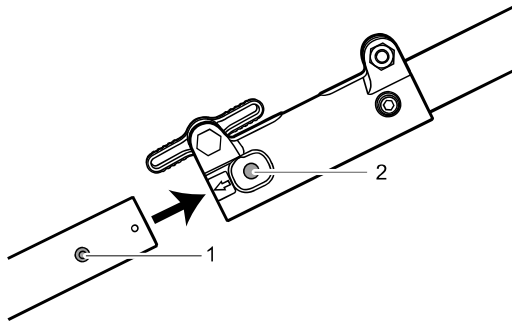
VOUS DEVEZ AVOIR LU ATTENTIVEMENT ET COMPRIS LE CHAPITRE SÉCURITÉ ET LES INSTRUCTIONS D'ASSEMBLAGE AVANT D'ASSEMBLER LE PRODUIT.

4.1 ASSEMBLEZ L'ARBRE

1. Desserrez le bouton sur le coupleur.



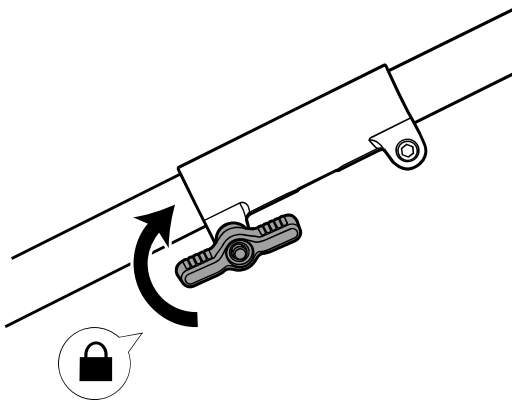
2. Enfoncez le bouton de déclenchement (1) sur l'arbre inférieur.
3. Alignez le bouton de déclenchement avec l'orifice de montage (2) et faites glisser les deux arbres ensemble.



⚠ ATTENTION

FAITES ATTENTION EN GLISSANT LES DEUX ARBRES ENSEMBLE POUR ÉVITER TOUT RISQUE DE PINCEMENT POUR VOS DOIGTS ET VOS MAINS.

4. Tournez l'arbre inférieur jusqu'à ce que le bouton se verrouille dans l'orifice de montage.
5. Serrez fermement la molette.



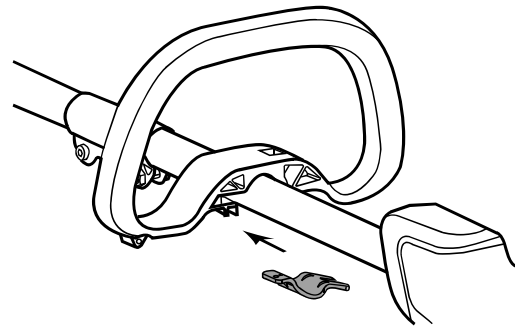
Note : Correctement assemblés, les arbres supérieur et inférieur ne peuvent pas être séparés en tirant.

⚠ AVERTISSEMENT

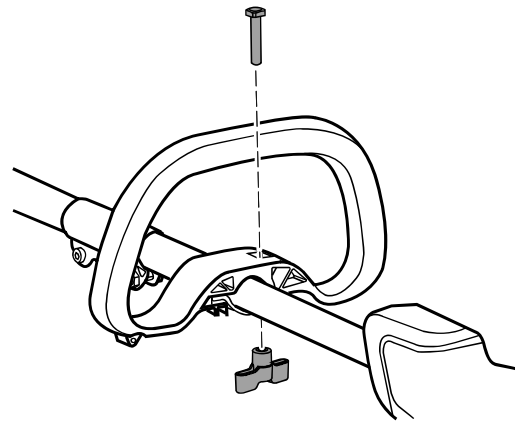
RESPECTEZ SOIGNEUSEMENT LES INSTRUCTIONS D'ASSEMBLAGE DÉCRITES PRÉCÉDEMMENT. À DÉFAUT, VOUS VOUS EXPOSEZ À UNE DÉSOLIDARISATION DU PRODUIT, ACCROISSANT LE RISQUE DE BLESSURE.

4.2 INSTALLATION DE LA POIGNÉE AUXILIAIRE

1. Attachez la poignée auxiliaire à l'arbre.
2. Placez la fixation inférieure dans la fente sur la poignée auxiliaire.



3. Installez le boulon et le bouton, mais ne les serrez pas complètement.



4. Ajustez la poignée auxiliaire sur la position souhaitée.
5. Serrez fermement l'écrou à ailettes.

4.3 RÉGLEZ LA PROFONDEUR DE COUPE

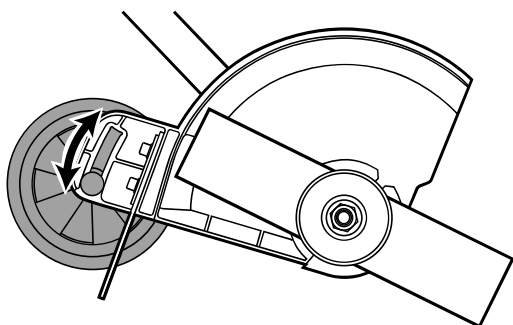
La profondeur de coupe de l'accessoire de coupe doit être ajustée avant le travail.

1. Desserrez la molette d'ajustement de profondeur.

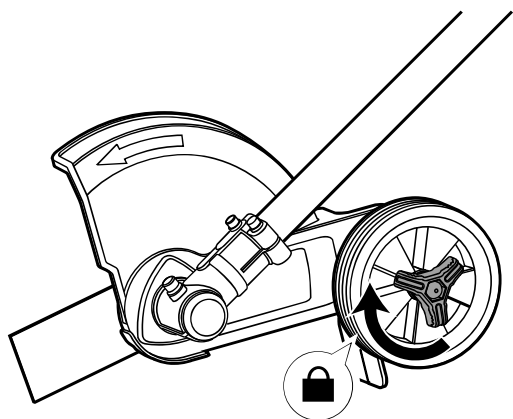


2. Réglez la profondeur de coupe souhaitée de la lame en ajustant la position de la roue.

FR



3. Serrez fermement la molette d'ajustement de profondeur.



5 UTILISATION

Cette section décrit le mode d'emploi du produit.

⚠ AVERTISSEMENT

VOUS DEVEZ AVOIR LU ATTENTIVEMENT ET COMPRIS LE CHAPITRE SÉCURITÉ ET LES INSTRUCTIONS D'UTILISATION AVANT D'UTILISER LE PRODUIT.

5.1 AVANT D'UTILISER LE PRODUIT

5.1.1 CONNEXION DU CHARGEUR DE BATTERIE

Connectez le chargeur de batterie uniquement à la tension et la fréquence spécifiées sur la plaque signalétique.

Référez-vous au Manuel opérateur du chargeur de batterie pour le mode d'emploi du chargeur de batterie.

5.1.2 RECHARGEZ LA BATTERIE

Référez-vous au Manuel opérateur du chargeur de batterie pour le mode d'emploi du chargeur de batterie.

5.1.3 RENSEIGNEMENTS SUR LA BATTERIE

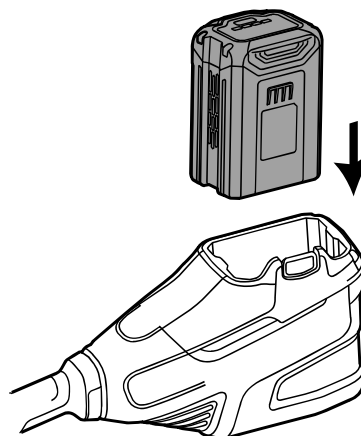
Référez-vous au Manuel opérateur de la batterie pour le mode d'emploi de la batterie.

5.1.4 CONNEXION DE LA BATTERIE AU PRODUIT

⚠ AVERTISSEMENT

UTILISEZ UNIQUEMENT UNE BATTERIE D'ORIGINE AVEC LE PRODUIT.

1. Assurez-vous que la batterie est complètement chargée.
2. Poussez la batterie dans son compartiment. La batterie se verrouille en position lorsque vous entendez un clic.



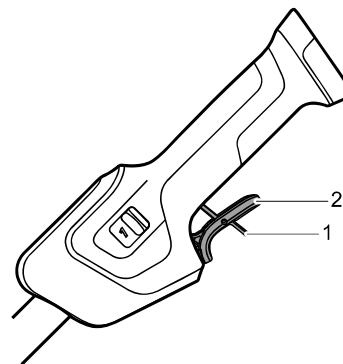
⚠ ATTENTION

SI LA BATTERIE NE S'AJUSTE PAS FACILEMENT DANS LE SUPPORT DE BATTERIE, IL EST POSSIBLE QU'ELLE SOIT MAL INSTALLÉE CE QUI RISQUE D'ENDOMMAGER LA BATTERIE OU LE PRODUIT.

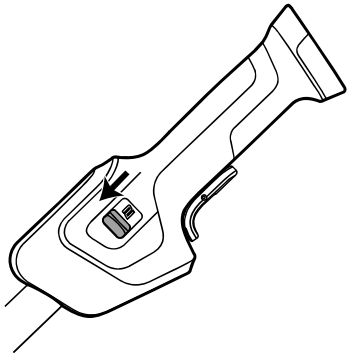
3. Assurez-vous que la batterie est installée en toute sécurité.

5.1.5 DÉMARRAGE DU PRODUIT

1. Poussez simultanément le levier de verrouillage de sécurité (1) et appuyez sur la gâchette (2).



2. Ajustez la vitesse selon l'état de l'herbe en glissant l'interrupteur de vitesse.



5.2 UTILISATION DU PRODUIT

5.2.1 CONSEILS D'UTILISATION

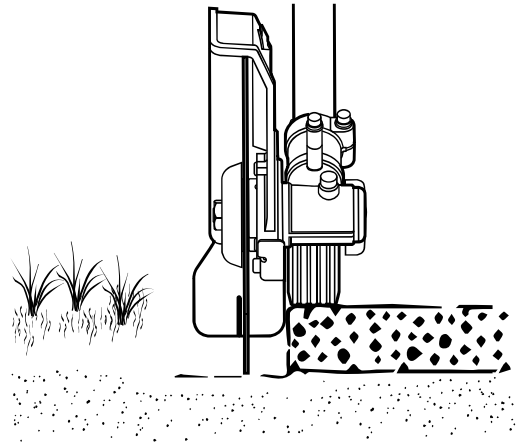
⚠ ATTENTION

NE RETIREZ PAS LE MATÉRIAU COUPÉ ALORS QUE LE PRODUIT EST ALLUMÉ OU SI L'ACCESSOIRE DE COUPE EST EN MOUVEMENT AU RISQUE DE VOUS BLESSER GRAVEMENT.

Assurez-vous de maintenir une posture sûre et stable pendant l'utilisation du produit.



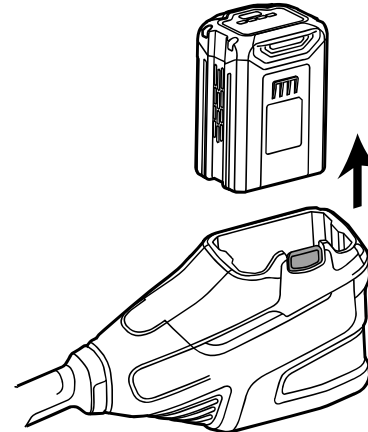
- Tenez systématiquement le produit fermement à deux mains et maintenez-le positionné sur la droite de votre corps.
- Utilisez votre main droite pour commander la gâchette.
- Maintenez systématiquement la lame proche du sol.
- Assurez-vous que vos pieds et mains restent à distance de sécurité jusqu'à ce que la lame s'arrête.
- Maintenez un rythme de marche lent et veillez à ce qu'il y ait toujours un petit espace entre la lame et le paysage que vous borde.



- Assurez-vous que le matériau coupé est dirigé vers une zone déjà coupée.
- Soyez spécialement prudent en tirant le coupe-bordure en arrière
- Si le produit touche un objet étranger ou vibre, arrêtez-vous immédiatement. Vérifiez que la batterie n'est pas endommagée. Retirez la batterie et inspectez-la pour vous assurer qu'elle n'est pas endommagée.
- Portez systématiquement des gants résistants pour fixer, examiner ou nettoyer l'équipement de coupe.

5.3 ARRÊT DU PRODUIT

1. Relâchez la gâchette.
2. Appuyez sur le bouton de déverrouillage de batterie et retirez la batterie pour interrompre complètement le fonctionnement.



⚠ AVERTISSEMENT

ATTENDEZ QUE LE MOTEUR S'ARRÊTE AVANT DE RETIRER LA BATTERIE.

6 ENTRETIEN

Cette section décrit la maintenance de la batterie, du chargeur de batterie et du produit.

⚠ AVERTISSEMENT

FR

VOUS DEVEZ AVOIR LU ATTENTIVEMENT ET COMPRIS LE CHAPITRE SÉCURITÉ ET LES INSTRUCTIONS D'UTILISATION AVANT TOUT TRAVAIL DE MAINTENANCE.

Avant d'effectuer la maintenance :

- Arrêtez le produit.
- Retirez la batterie.
- Laissez le moteur refroidir.
- Portez des vêtements, des gants de protection et des lunettes de sécurité appropriés.

6.1 EXAMEN DE LA BATTERIE ET DU CHARGEUR DE BATTERIE

Inspectez soigneusement la batterie, le chargeur de batterie et le cordon de connexion du chargeur de batterie pour détecter les signes de dommage comme les fissures ou les pièces endommagées. Remplacez si nécessaire.

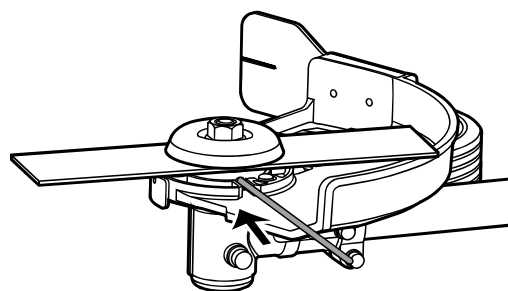
6.2 NETTOYAGE DU PRODUIT, DE LA BATTERIE ET DU CHARGEUR DE BATTERIE

- Nettoyez le produit après chaque utilisation avec un chiffon humide trempé dans un détergent neutre.
- N'utilisez pas de détergents ou de solvants forts comme un « nettoyant pour vitres » pour nettoyer les pièces en plastique ou les poignées.
- Maintenez les aérations propres et sans débris pour éviter une surchauffe et des dommages du moteur.
- Ne pulvérisez pas de l'eau sur le moteur et les composants électriques.
- Nettoyez la batterie et le chargeur de batterie avec un chiffon sec. Assurez la propreté des glissières de guidage de la batterie.
- Avant l'insertion de la batterie dans le chargeur de batterie, assurez-vous que les bornes de la batterie et du chargeur de batterie sont propres.

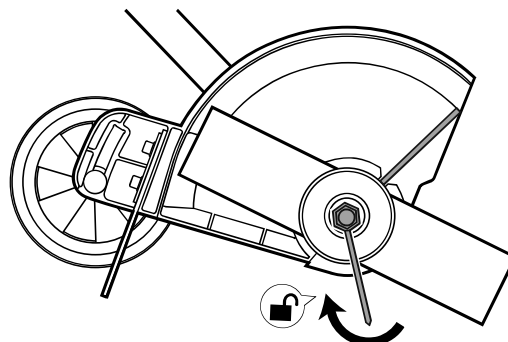
6.3 REMPLACEMENT DE LA LAME

Remarque : Si une lame est endommagée ou usée, remplacez-la par une nouvelle (non fournie).

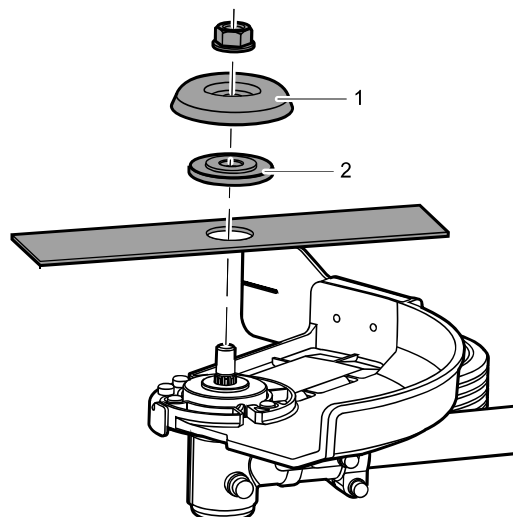
1. Verrouillez la rotation de la lame en insérant une tige métallique dans l'orifice sur le disque d'entraînement.



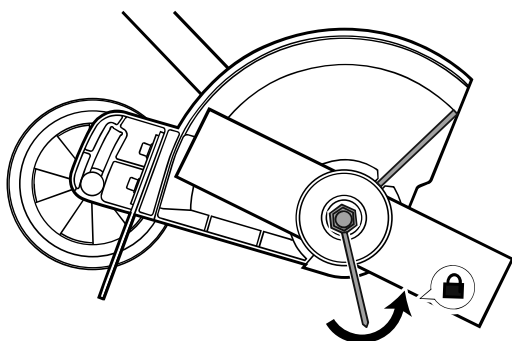
2. Retirez l'écrou en le tournant dans le sens des aiguilles d'une montre à l'aide d'une clé à douille.



3. Retirez la coupelle extérieure (1) et la bride de support (2).
4. Retirez l'ancienne lame et remplacez-la par une nouvelle.

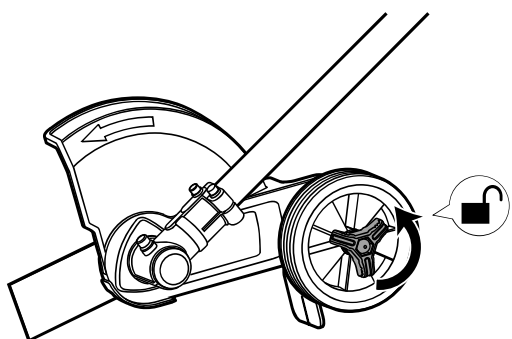


5. Placez la bride de support et la coupelle extérieure sur la lame.
6. Placez l'écrou sur la coupelle extérieure et serrez-le fermement en le tournant dans le sens inverse des aiguilles d'une montre.

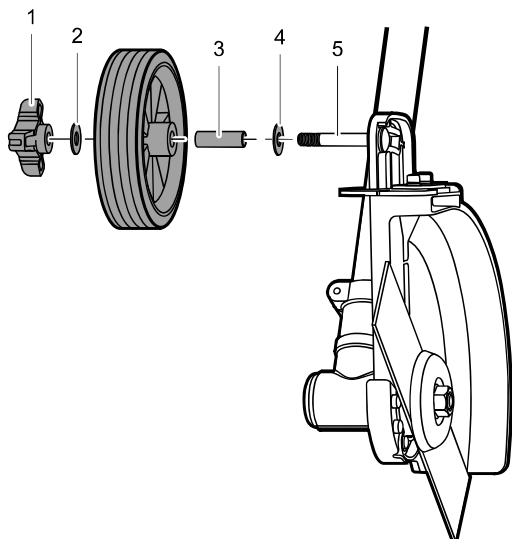


6.4 REMPLACEMENT DE LA ROUE

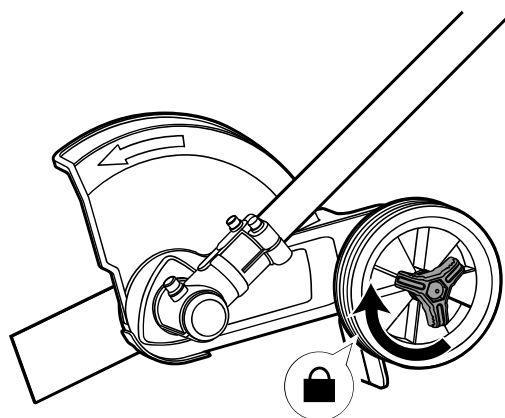
1. Tournez le bouton de la roue de guidage (1) dans le sens inverse des aiguilles d'une montre pour le desserrer et le retirer.



2. Retirez la rondelle (2), la roue, la douille (3) et la rondelle (6) de l'axe de la roue (5).



3. Remplacez par une roue neuve.
4. Insérez l'axe de la roue dans le trou de montage. Remonter toutes les pièces sur le produit dans l'ordre indiqué ci-dessus.
5. Serrez fermement le bouton de la roue de guidage.



7 TRANSPORT, ENTREPOSAGE ET MISE AU REBUT

7.1 TRANSPORT ET ENTREPOSAGE

- Respectez les exigences spéciales sur l'emballage et les étiquettes pour le transport commercial. Ce point concerne également les tiers et les agents transitaires.
- Recherchez le conseil d'une personne spécialement formée sur les substances dangereuses avant d'expédier le produit et respectez l'ensemble de la législation nationale applicable.
- Utilisez du ruban sur les contacts ouverts pour emballer la batterie et assurez-vous qu'elle est emballée en toute sécurité pour éviter tout mouvement.
- Retirez la batterie avant d'entreposer ou de transporter le produit.
- Entreposez la batterie et le chargeur de batterie dans un espace sec, sans humidité et à l'abri du gel.
- Évitez de ranger la batterie dans une zone exposée à l'électricité statique et ne la gardez pas dans une boîte métallique.
- Chargez la batterie à 30%-50% avant un entreposage à long terme.
- Entreposez le chargeur de batterie dans un espace fermé et sec.
- Maintenez la batterie à l'écart du chargeur de batterie durant l'entreposage et assurez-vous que les personnes sans autorisation, notamment les enfants, ne touchent pas l'équipement. Entreposez l'équipement dans un espace sous verrou.
- Nettoyez le produit et effectuez un entretien complet avant un entreposage à long terme.
- Utilisez les protections de transport sur le produit pour éviter les blessures et dommages durant le transport et l'entreposage.
- Rangez en toute sécurité le produit durant le transport pour assurer une manipulation sécurisée.

FR

7.2 MISE AU REBUT DE LA BATTERIE, DU CHARGEUR DE BATTERIE ET DU PRODUIT

Les symboles sur le produit ou son emballage signifient que le produit n'est pas un déchet ménager. Recyclez-le auprès du point de recyclage destiné aux équipements électriques et électroniques. Vous contribuez ainsi à protéger l'environnement et les personnes.

Contactez vos autorités locales, le service de traitement des déchets ménagers ou votre revendeur pour en savoir plus sur la manière de recycler votre produit.

8 DÉPANNAGE

Problème	Cause possible	Solution
Le produit ne démarre pas lorsque vous tirez sur la gâchette.	Pas de contact électrique entre le produit et la batterie.	1. Retirez la batterie. 2. Inspectez les contacts métalliques et remettez la batterie.
	La batterie est déchargée.	Rechargez la batterie.
	Le levier de verrouillage de sécurité et la gâchette ne sont pas actionnés simultanément.	1. Poussez le levier de verrouillage de sécurité sans le relâcher. 2. Appuyez sur la gâchette pour démarrer le produit.
Le produit s'arrête pendant l'utilisation.	La profondeur est réglée trop bas.	Ajustez la profondeur. Voir la section <i>Ajustement de la profondeur de coupe</i> .
	Marcher trop vite.	Ralentissez et évitez de forcer dans l'herbe.

9 DONNÉES TECHNIQUES

Type	Sans fil, fonctionne sur batterie
Moteur	60V sans balais
Vitesse à vide	6200/7000 ± 10% tr/min
Longueur de la lame	8" (203 mm)

Modèle de batterie	LB60251 / LB6041 / LB6042 / LB6051 / LB6081 et autres BAC séries
Chargeur modèle	CAC801 / CH60R00 / CH60DP01 / CHDPC10A et autres CAC séries

10 GARANTIE LIMITÉE

Greenworks Les produits et les batteries sont protégés contre tout défaut de matériaux, de pièces ou de fabrication dans des conditions normales d'utilisation pendant une période de 4 ans à compter de la date d'expédition ou de la date d'achat en magasin.

À sa propre discrétion, **Greenworks** le fabricant peut choisir de réparer, de remplacer ou de substituer l'article par un article comparable ou de rembourser les produits jugés défectueux dans le cadre d'une utilisation normale ou qui ont été endommagés pendant le transport. Une preuve d'achat et d'enregistrement du produit est requise. Le remplacement des produits ou pièces soumis à une usure normale est à la charge du client.

Cette garantie n'est valable que pour les appareils qui ont été entretenus conformément aux instructions figurant dans le manuel d'utilisation fourni avec le produit, et pour les appareils qui ont été enregistrés de l'une des manières suivantes :

En ligne : www.greenworkstools.com

Téléphone : 1-855-345-3934

Si **Greenworks** accepte un retour sous garantie, vous ne pouvez renvoyer le produit défectueux ou endommagé qu'après avoir appelé notre service clientèle et reçu une autorisation de retour de la part de **Greenworks**. Vous recevrez également un remboursement de vos frais d'expédition initiaux, et **Greenworks** organisera et paiera les frais de retour. Pour demander une autorisation de retour, veuillez nous contacter à l'adresse suivante 1-855-345-3934.

10.1 ARTICLES NON COUVERTS PAR LA GARANTIE

- Toute pièce devenue inopérante en raison d'une mauvaise utilisation, d'une utilisation commerciale, d'un abus, d'une négligence, d'un accident, d'un entretien inapproprié ou d'une altération.
- L'unité si elle n'a pas été utilisée ou entretenue conformément au manuel de l'opérateur.
- Usure normale, sauf comme indiqué ci-dessous :
 - Articles d'entretien de routine comme les lubrifiants.

- Détérioration normale du fini extérieur due à l'utilisation ou à l'exposition.
- Tout produit/pièce devenu inopérant du fait de l'usage de pièces ou batteries/chargeurs qui ne seraient pas de marque **Greenworks**.

10.2 LIGNE D'ASSISTANCE TÉLÉPHONIQUE

Le service de garantie est accessible en appelant notre ligne d'assistance téléphonique sans frais, au : 1-855-345-3934.

10.3 EXPÉDITION

Les frais de transport pour le déplacement de tout équipement motorisé ou accessoire sont à la charge de l'acheteur. Il incombe à l'acheteur de payer les frais de transport pour toute pièce retournée pour remplacement en vertu de la présente garantie, à moins qu'un tel retour ne soit demandé par écrit par **Greenworks**.

10.3.1 ADRESSE

Adresse aux États-Unis :

Greenworks Outils

P.O. Box 1238, Mooresville, NC 28115

Adresse au Canada :

Greenworks Tools Canada, Inc.

67 Toll Rd., Holland Landing, ON L9N 1H2

1	Introducción.....	27	6	Mantenimiento.....	33
1.1	Descripción del producto.....	27	6.1	Examen de la batería y el cargador de batería.....	33
1.2	Uso previsto.....	27	6.2	Limpieza del producto, la batería y el cargador de baterías..	33
1.3	Presentación del producto.....	27	6.3	Reemplazo de la cuchilla.....	34
1.4	Símbolos en la máquina.....	27	6.4	Sustitución de la rueda.....	34
1.5	Propuesta 65 de California.....	27	7	Transporte, almacenamiento y eliminación.....	35
2	Seguridad.....	27	7.1	Transporte y almacenamiento.....	35
2.1	Definiciones de seguridad.....	27	7.2	Eliminación de la batería, el cargador de baterías y el producto.....	35
2.2	Importantes medidas de seguridad.....	28	8	Solución de problemas.....	36
2.3	Inspección de las funciones de seguridad.....	29	9	Datos técnicos.....	36
3	Servicio.....	30	10	Garantía limitada.....	36
4	Montaje.....	30	10.1	Artículos no cubiertos por la garantía.....	36
4.1	Montaje del eje.....	30	10.2	Línea de asistencia telefónica.....	36
4.2	Instalación de la empuñadura auxiliar.....	31	10.3	Envío.....	36
4.3	Ajuste de la profundidad de corte.....	31			
5	Funcionamiento.....	31			
5.1	Antes de utilizar el producto.....	32			
5.2	Manejo del producto.....	32			
5.3	Parada del producto.....	33			

1 INTRODUCCIÓN

1.1 DESCRIPCIÓN DEL PRODUCTO

Este producto es una bordeadora con funcionamiento a batería que dispone de un motor eléctrico.

Nos comprometemos a mejorar continuamente nuestros productos y nos reservamos el derecho a modificar el diseño y el aspecto sin previo aviso.

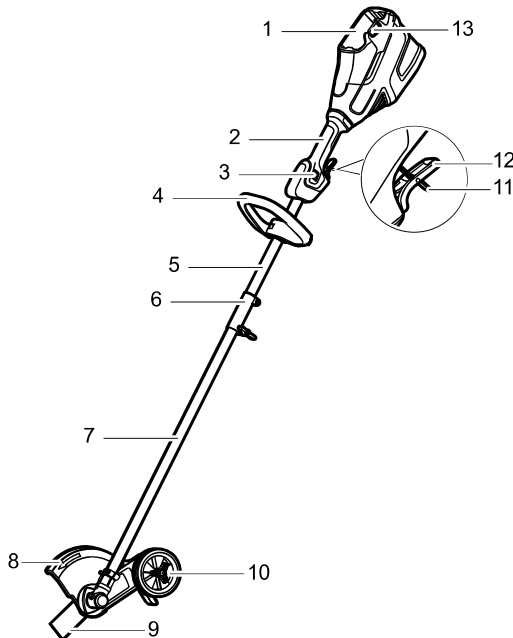
1.2 USO PREVISTO

Este producto está diseñado para recortar/bordear superficies duras de césped y no debe utilizarse para ninguna otra tarea.

Tenga en cuenta que los reglamentos nacionales o locales pueden regular la utilización del producto. Es importante cumplir todos los reglamentos especificados.

Utilice siempre accesorios que hayan sido aprobados por el fabricante para su uso con este producto.

1.3 PRESENTACIÓN DEL PRODUCTO



- 1 Compartimento de la batería
- 2 Empuñadura posterior
- 3 Interruptor de velocidad
- 4 Empuñadura auxiliar
- 5 Tubo superior
- 6 Acoplador
- 7 Tubo inferior
- 8 Protección
- 9 Cuchilla
- 10 Rueda de guía
- 11 Palanca de bloqueo de seguridad

- 12 Gatillo
- 13 Botón de liberación de la batería

1.4 SÍMBOLOS EN LA MÁQUINA

En esta máquina pueden utilizarse algunos de los siguientes símbolos. Le rogamos que los estudie y aprenda sus definiciones. La interpretación correcta de estos símbolos le permitirá manejar la herramienta mejor y de manera más segura.

Símbolo	Explicación
	Precauciones que afectan a su seguridad.
	Debe leer y entender todas las instrucciones antes de manejar la máquina así como seguir todas las advertencias e instrucciones de seguridad.
	Lleve siempre gafas de seguridad con protectores laterales marcada para cumplir la ANSI Z87.1 cuando utilice esta máquina.
	No exponga la máquina a la lluvia o a condiciones de humedad.
	Mantenga a todos los transeúntes al menos a 15 m (50 pies).
	No instale ni utilice ningún tipo de cuchilla en la máquina que muestre este símbolo.
	Los objetos proyectados pueden rebotar y provocar lesiones personales o daños materiales.

1.5 PROPUESTA 65 DE CALIFORNIA



AVISO

ESTE PRODUCTO CONTIENE O EMITE UNA SUSTANCIA QUÍMICA CONOCIDA EN EL ESTADO DE CALIFORNIA COMO CAUSANTE DE CÁNCER O DEFECTOS DE NACIMIENTO U OTROS DAÑOS REPRODUCTIVOS.

2 SEGURIDAD

2.1 DEFINICIONES DE SEGURIDAD

Las advertencias, precauciones y notas se utilizan para señalar partes especialmente importantes del manual.

AVISO

EXISTE UN RIESGO DE LESIONES O MUERTE PARA EL OPERARIO O PARA OTRAS PERSONAS SI NO SE RESPETAN LAS INSTRUCCIONES DEL MANUAL.

ES

PRECAUCIÓN

EXISTE UN RIESGO DE DAÑOS AL PRODUCTO, OTROS DAÑOS MATERIALES O EN LA ZONA ADYACENTE SI NO SE RESPETAN LAS INSTRUCCIONES DEL MANUAL.

Nota: Se utiliza para ofrecer más información de la necesaria en una situación determinada.

2.2 IMPORTANTES MEDIDAS DE SEGURIDAD

LEA TODAS LAS INSTRUCCIONES ANTES DE UTILIZAR ESTA HERRAMIENTA ELÉCTRICA

AVISO

LEA Y COMPRENDA TODAS LAS INSTRUCCIONES ANTES DE UTILIZAR ESTE PRODUCTO. EL INCUMPLIMIENTO DE TODAS LAS INSTRUCCIONES INDICADAS A CONTINUACIÓN PUEDE PROVOCAR DESCARGAS ELÉCTRICAS, INCENDIOS Y/O LESIONES PERSONALES GRAVES.

- No utilice el producto para ningún trabajo que no sea para el que está destinado.
 - Evite la activación accidental. Asegúrese de que el interruptor está en la posición de apagado antes de conectar la batería, agarrar o transportar el producto. Llevar el producto con el dedo en el interruptor o energizar productos que tienen el interruptor encendido invita a accidentes.
 - No agarre las cuchillas o los bordes de corte expuestos al tomar o sujetar el producto.
 - No fuerce el producto. – Trabajaré mejor y con un menor riesgo de sufrir una lesión a la velocidad para la cual ha sido concebido.
 - No se estire demasiado para alcanzar lugares de difícil acceso. – Mantenga en todo momento un buen equilibrio y los pies firmemente apoyados en el suelo.
 - Manténgase alerta – Preste atención a lo que está haciendo. Utilice el sentido común. No utilice esta unidad eléctrica cuando esté cansado, enfermo o se encuentre bajo los efectos de drogas, alcohol o fármacos.
 - Guarde las herramientas eléctricas ociosas en interiores – Las herramientas eléctricas que no se utilicen deben guardarse en un lugar de interior seco y bajo llave o elevado, fuera del alcance de los niños.
 - Mantenga el producto con cuidado – Mantenga el filo de corte afilado y limpio para optimizar su rendimiento y reducir el riesgo de lesión. Siga las instrucciones de lubricación y cambio de accesorios. Revise el cable del aparato periódicamente y, en caso de daños, confíe su reparación a un servicio técnico autorizado. Inspeccione periódicamente los cables alargadores y reemplácelos si están dañados. Mantenga las empuñaduras secas, limpias y sin restos de aceite o grasa. No hacerlo puede provocar lesiones físicas graves.
 - Compruebe las piezas dañadas antes de utilizar el producto, una protección u otra pieza que esté dañada debe ser revisada cuidadosamente para determinar que funcionará correctamente y realizará su función prevista. Compruebe que no haya partes móviles desalineadas, trabadas o rotas, soportes dañados, o cualquier otra condición que pudiera afectar su funcionamiento. Si la cubierta protectora o alguna otra pieza están dañadas, deberán ser debidamente reparadas o reemplazadas en un servicio técnico autorizado, salvo que se indique otro lugar en este manual.
 - No modifique ni intente reparar el producto o la batería (según corresponda), excepto como se indica en las instrucciones de uso y cuidado.
 - No cargue el aparato bajo la lluvia o en lugares mojados.
- Utilice sólo piezas de repuesto y accesorios idénticos del fabricante. El uso de cualquier otra pieza puede dar lugar a situaciones de peligro o dañar el producto.
 - Utilice siempre gafas de seguridad con pantallas laterales que cumplan la norma ANSI Z87.1. Las gafas de uso diario solo tienen unas lentes resistentes a los golpes. NO son gafas de seguridad. El cumplimiento de esta medida reducirá el riesgo de sufrir lesiones oculares. Utilice una mascarilla antipolvo si trabaja en lugares polvorientos.
 - Evite los entornos peligrosos – No deje que las herramientas eléctricas se mojen o queden expuestas a la humedad. La entrada de agua en la herramienta eléctrica aumentará el riesgo de electrocución.
 - No utilizar bajo la lluvia.
 - Mantenga a adultos, niños y mascotas a 15 m de distancia como mínimo.
 - Vista una indumentaria apropiada – No vista ropa holgada ni joyas. Pueden quedar atrapados en las piezas móviles. Se recomienda utilizar unos guantes de goma y un calzado grueso cuando trabaje en exteriores. Utilice una cubierta protectora para recogerse el pelo si tiene el cabello largo.

- Retire o desconecte la batería antes de realizar tareas de mantenimiento, limpieza o retirada de material del producto de jardinería.
- Utilice el producto únicamente con las baterías específicamente diseñadas. La utilización de otro tipo de baterías podría dar lugar a lesiones e incendios.
- Recargar solo con el cargador especificado por el fabricante. Un cargador que es adecuado para un tipo de batería podría ocasionar un incendio si se utiliza con otro tipo de batería.
- Usar solo con un cargador LB60251 / LB6041 / LB6042 / LB6051 / LB6081 Greenworks o de otra BAC serie.
- Usar solo con un cargador CAC801 / CH60R00 / CH60DP01 / CHDPC10A Greenworks o de otra CAC serie.
- Cuando no se esté utilizando la batería, manténgala apartada de objetos metálicos tales como clips para papeles, monedas, llaves, clavos, tornillos o cualquier otro objeto metálico pequeño que pudiera provocar un cortocircuito en sus terminales de corriente. El cortocircuito de los terminales de la batería podría causar un incendio.
- En condiciones de uso intensivo, es posible que se produzca una fuga del líquido de la batería. Evite tocarlo. En caso de contacto accidental, lave con agua. Si el líquido entra en contacto con los ojos, solicite atención médica. El líquido de la batería puede provocar irritación y quemaduras.
- No utilice una batería o aparato que esté dañado o modificado. Las baterías dañadas o modificadas pueden exhibir un comportamiento impredecible que podría resultar en incendios, explosiones o lesiones.
- No exponga la batería o el aparato al fuego ni a temperaturas excesivas. La exposición a un fuego o temperatura superior a 130 °C (265 °F) puede provocar una explosión.
- No deseche las baterías arrojándolas al fuego. Las celdas podrían explotar. Estudie las normas locales para instrucciones específicas sobre su desecho.
- No abra o mutile las baterías. El electrolito vertido es corrosivo y puede causar lesiones en los ojos y la piel. Su ingestión puede resultar tóxica.
- Tenga cuidado al manipular las baterías y evite cortocircuitarlas con materiales conductores como anillos, pulseras o llaves. La batería o el conductor podría sobrecalentarse y causar quemaduras.
- Siga todas las instrucciones de carga y no cargue la batería ni el producto fuera del intervalo de temperatura especificado en las instrucciones. Una carga inapropiada a una temperatura fuera del margen especificado puede dañar la batería y aumentar el riesgo de incendios.
- Desconecte la batería del aparato antes de realizar cualquier ajuste, cambiar de accesorios o guardar

el aparato. Estas medidas preventivas reducirán el riesgo de que la herramienta eléctrica pueda activarse accidentalmente.

- El aparato debe ser reparado por una persona cualificada utilizando solo piezas de repuesto idénticas. De esta manera se garantiza la seguridad de uso del producto.
- Mantenga las protecciones instaladas y en buen estado.
- Mantenga las manos y los dedos alejados del área de corte.
- Mantenga las cuchillas afiladas.

Intervalos recomendados de temperatura:

Condición	Temperatura
Almacenamiento del producto	32°F (0°C) - 113°F (45°C)
Funcionamiento del producto	32°F (0°C) - 113°F (45°C)
Recarga de la batería	39°F (4°C) - 104°F (40°C)
Funcionamiento del cargador	39°F (4°C) - 104°F (40°C)
Almacenamiento de baterías	32°F (0°C) - 113°F (45°C)
Descarga de la batería	32°F (0°C) - 113°F (45°C)

GUARDE ESTAS INSTRUCCIONES

2.3 INSPECCIÓN DE LAS FUNCIONES DE SEGURIDAD

- Examine la superficie de trabajo para identificar posibles peligros, como terreno irregular, pendientes, rocas, ramas o zanjas.
- Realice todas las inspecciones de seguridad, el mantenimiento y las tareas de servicio necesarias tal y como se especifica en este manual.
- Compruebe que todas las cubiertas, protecciones, asas y equipos de corte están correctamente fijados y no presenten daños.
- Compruebe si el accesorio de corte y la protección del accesorio de corte presentan daños o grietas y sustitúyalos si es necesario.

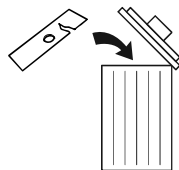
2.3.1 COMPROBACIÓN DE LA PALANCA DE BLOQUEO DE SEGURIDAD Y EL GATILLO

La palanca de bloqueo de seguridad se ha diseñado para evitar el funcionamiento accidental. *Consulte **Perspectiva general del producto** para encontrar la posición de estas piezas en su producto.*

1. Asegúrese de que el gatillo esté bloqueado cuando la palanca de bloqueo de seguridad no esté pulsada.
2. Asegúrese de que el gatillo y la palanca de bloqueo de seguridad se muevan libremente y el muelle de retorno funcione correctamente.
3. Presione simultáneamente la palanca de bloqueo de seguridad y el gatillo para poner en marcha el producto.
4. Suelte el gatillo y asegúrese de que el accesorio de corte se detenga por completo.

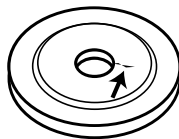
2.3.2 COMPROBACIÓN DE LA CUCHILLA

Inspeccione la cuchilla en busca de daños o grietas. Sustituya en caso necesario.



2.3.3 COMPROBACIÓN DE LA BRIDA DE SOPORTE

Inspeccione si la brida de soporte presenta daños o grietas. Sustituya en caso necesario.

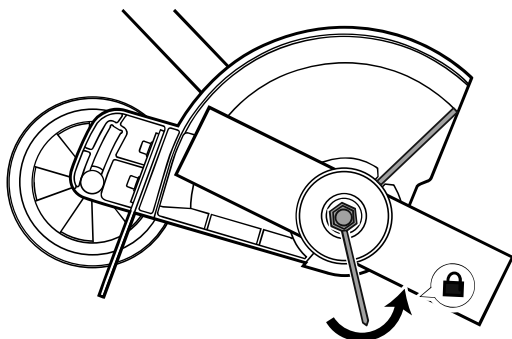


2.3.4 COMPROBACIÓN DE LA CONTRATUERCA

⚠ PRECAUCIÓN

EL FORRO DE NAILON DENTRO DE LA CONTRATUERCA NO DEBE ESTAR TAN DESGASTADO QUE SE PUEDA GIRAR A MANO. LA CONTRATUERCA DEBE REEMPLAZARSE DESPUÉS DE HABER SIDO ATORNILLADA 10 VECES.

Durante la instalación, apriete la contratuerca girándola en sentido antihorario. Para quitarla, gírela en el sentido de las agujas del reloj.



3 SERVICIO

Las tareas de servicio exigen un cuidado extremo, así como conocimientos, y debe realizarlas únicamente un técnico de servicio cualificado. Consulte al CENTRO DE SERVICIO AUTORIZADO más cercano para su reparación. Llame al 1-855-345-3934 para obtener la dirección. Utilice únicamente piezas de repuesto y accesorios idénticos a los del fabricante y procedentes del CENTRO DE SERVICIO AUTORIZADO.

4 MONTAJE

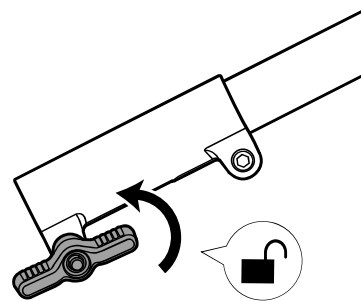
Esta sección describe cómo montar y ajustar el producto.

⚠ AVISO

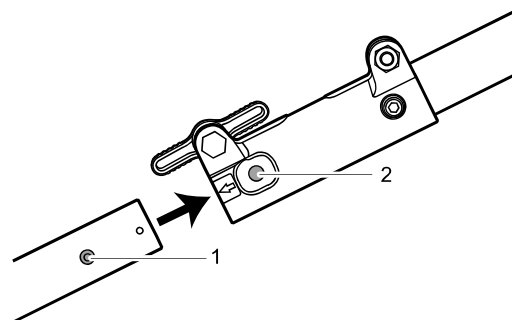
DEBE LEER DETENIDAMENTE Y ENTENDER EL CAPÍTULO DE SEGURIDAD Y LAS INSTRUCCIONES DE MONTAJE ANTES DE MONTAR EL PRODUCTO.

4.1 MONTAJE DEL EJE

1. Afloje el mando del acoplamiento.



2. Pulse el botón de desbloqueo (1) del eje inferior.
3. Alinee el botón de desbloqueo con el orificio de montaje (2) y deslice los dos ejes uno dentro del otro.

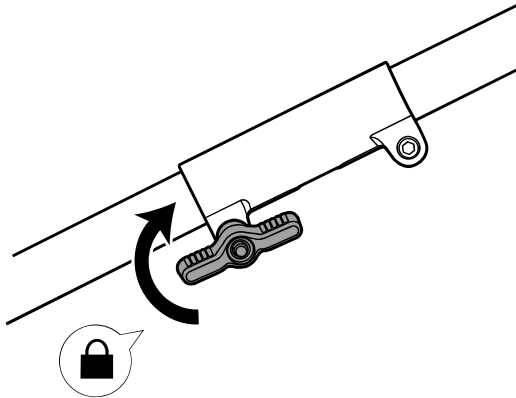


⚠ PRECAUCIÓN

TENGA CUIDADO AL DESLIZAR LOS DOS EJES UNO DENTRO DEL OTRO PARA EVITAR EL RIESGO DE PELLIZCARSE LAS MANOS O LOS DEDOS.

4. Gire el eje inferior hasta que el botón se bloquee en el orificio de montaje.

5. Apriete firmemente el mando.



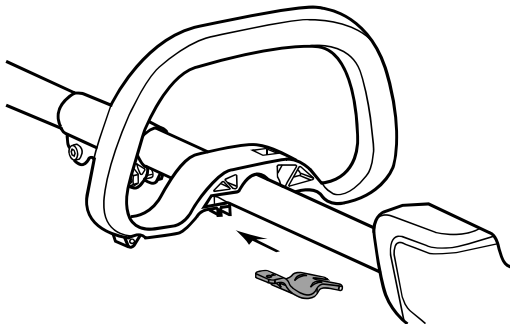
Nota: Cuando están correctamente montados, los ejes superior e inferior no deben separarse al tirar de ellos.

⚠ AVISO

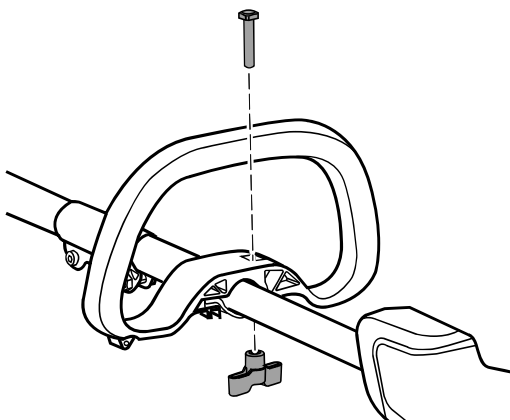
SIGA DETENIDAMENTE LAS INSTRUCCIONES DE MONTAJE DESCRITAS ANTERIORMENTE. SI NO LO HACE, EL PRODUCTO PUEDE SEPARARSE, LO QUE AUMENTA EL RIESGO DE LESIONES PERSONALES.

4.2 INSTALACIÓN DE LA EMPUÑADURA AUXILIAR

1. Monte la empuñadura auxiliar al tubo.
2. Coloque la abrazadera inferior en la ranura del asa auxiliar.



3. Instale el perno y la perilla. No apriete completamente.

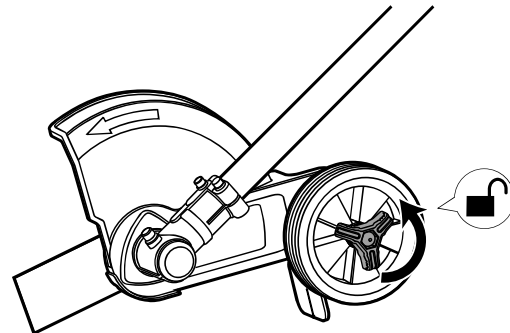


4. Ajuste la empuñadura auxiliar en la posición deseada.
5. Apriete firmemente la tuerca de mariposa.

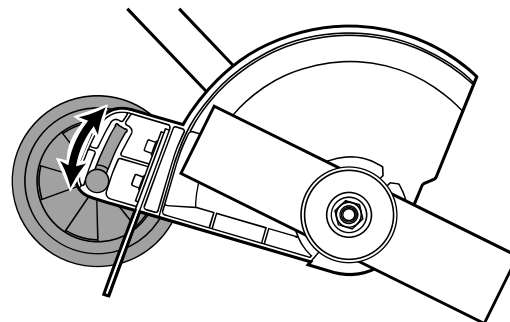
4.3 AJUSTE DE LA PROFUNDIDAD DE CORTE

La profundidad de corte del accesorio de corte debe ajustarse antes del funcionamiento.

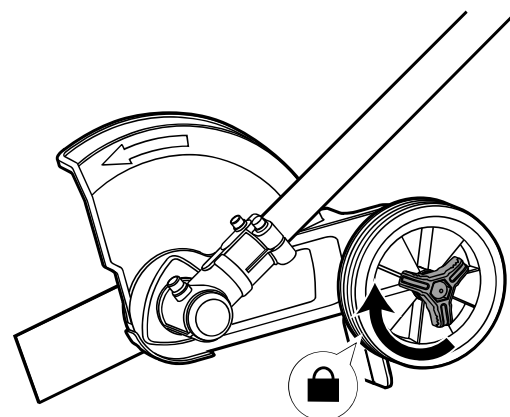
1. Afloje el mando de ajuste de profundidad.



2. Establezca la profundidad de corte deseada de la cuchilla ajustando la posición de la rueda.



3. Apriete firmemente el mando de ajuste de profundidad.



5 FUNCIONAMIENTO

Esta sección describe el funcionamiento del producto.

⚠ AVISO

DEBE LEER DETENIDAMENTE Y ENTENDER EL CAPÍTULO DE SEGURIDAD Y LAS INSTRUCCIONES DE FUNCIONAMIENTO ANTES DE UTILIZAR EL PRODUCTO.

ES

5.1 ANTES DE UTILIZAR EL PRODUCTO

5.1.1 CONEXIÓN DEL CARGADOR DE BATERÍA

Conecte el cargador de baterías a la tensión y frecuencia correctas especificadas en la placa de características.

Consulte el manual del operario del cargador de batería para obtener información sobre su uso.

5.1.2 CARGA DE LA BATERÍA

Consulte el manual del operario del cargador de batería para obtener información sobre su uso.

5.1.3 INFORMACIÓN DE LA BATERÍA

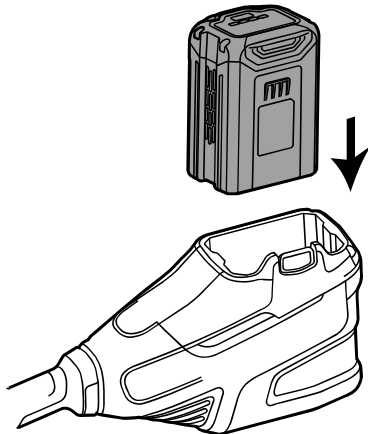
Consulte el manual del operario de la batería para obtener información sobre su uso.

5.1.4 CONEXIÓN DE LA BATERÍA AL PRODUCTO

⚠ AVISO

UTILICE ÚNICAMENTE LA BATERÍA ORIGINAL CON EL PRODUCTO.

1. Asegúrese de que la batería esté totalmente cargada.
2. Empuje la batería para introducirla en el compartimento de la batería. La batería se bloquea en su posición cuando se oye un clic.



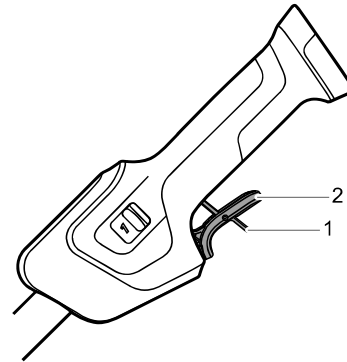
⚠ PRECAUCIÓN

SI LA BATERÍA NO ENCAJA FÁCILMENTE EN EL PORTABATERÍA, ES POSIBLE QUE NO SE HAYA INSTALADO CORRECTAMENTE, LO QUE PUEDE OCASIONAR DAÑOS A LA BATERÍA O AL PRODUCTO.

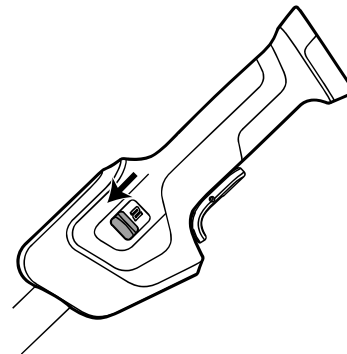
3. Asegúrese de que la batería esté bien instalada.

5.1.5 PONGA EL PRODUCTO EN MARCHA

1. Simultáneamente, pulse la palanca de bloqueo de seguridad (1) y apriete el gatillo (2).



2. Ajuste la velocidad según el estado de la hierba deslizando el interruptor de velocidad.



5.2 MANEJO DEL PRODUCTO

5.2.1 CONSEJOS DE USO

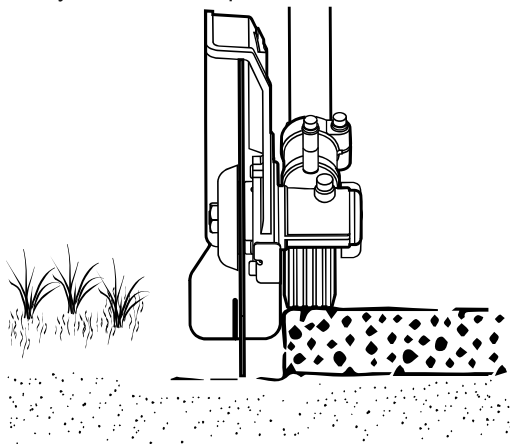
⚠ PRECAUCIÓN

NO RETIRE EL MATERIAL CORTADO MIENTRAS EL PRODUCTO ESTÉ ENCENDIDO O EL ACCESORIO DE CORTE ESTÉ EN MOVIMIENTO, YA QUE PUEDEN PRODUCIRSE LESIONES GRAVES.

Asegúrese de mantener una postura segura y estable mientras utiliza el producto.



- Sujete siempre el producto firmemente con ambas manos y manténgalo colocado en el lado derecho de su cuerpo.
- Utilice la mano derecha para controlar el gatillo.
- Mantenga siempre la cuchilla cerca del suelo.
- Asegúrese de que las manos y los pies estén a una distancia segura hasta que la cuchilla se detenga.
- Mantenga un ritmo de caminata lento y asegúrese de que siempre haya un pequeño espacio entre la cuchilla y los arbustos que está bordeando.

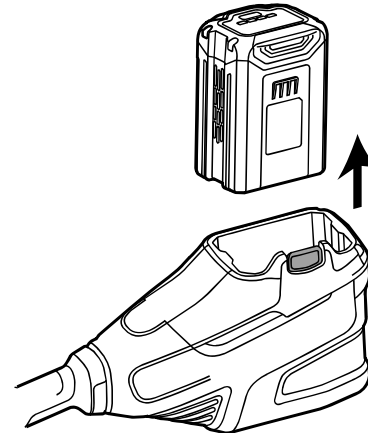


- Asegúrese de que el material cortado se dirija a una zona previamente cortada.
- Tenga especial cuidado cuando tire de la bordeadora hacia atrás.
- Si el producto toca un objeto extraño o vibra, deténgase de inmediato. Verifique que la batería no presente daños. Retire la batería e inspecciónela para asegurarse de que no presente daños.
- Utilice siempre guantes resistentes cuando instale, examine o limpie el equipo de corte.

5.3 PARADA DEL PRODUCTO

1. Suelte el gatillo.

2. Pulse el botón de desbloqueo de la batería y saque la batería para detener por completo el funcionamiento.



ES

⚠ AVISO

ESPERE HASTA QUE EL MOTOR SE DETENGA TRAS RETIRAR LA BATERÍA.

6 MANTENIMIENTO

Esta sección describe cómo realizar el mantenimiento de la batería, el cargador de baterías y el producto.

⚠ AVISO

DEBE LEER DETENIDAMENTE Y ENTENDER EL CAPÍTULO DE SEGURIDAD Y LAS INSTRUCCIONES DE FUNCIONAMIENTO ANTES DE REALIZAR TRABAJOS DE MANTENIMIENTO.

Antes de realizar el mantenimiento:

- Detener el producto.
- Retire la batería.
- Deje que el motor se enfríe.
- Utilice ropa adecuada, guantes protectores y gafas de seguridad.

6.1 EXAMEN DE LA BATERÍA Y EL CARGADOR DE BATERÍA

Inspeccione detenidamente la batería, el cargador de baterías y el cable de conexión del cargador de baterías para detectar cualquier señal de daños, como grietas o piezas rotas. Sustituya en caso necesario.

6.2 LIMPIEZA DEL PRODUCTO, LA BATERÍA Y EL CARGADOR DE BATERÍAS

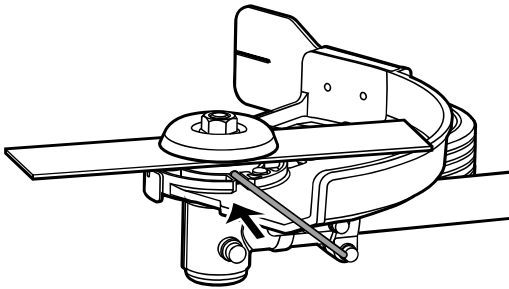
- Limpie el producto después de cada uso con un paño humedecido en detergente neutro.
- No utilice detergentes o disolventes fuertes como "limpiacristales" para limpiar las piezas de plástico o las asas.

- Mantenga los respiraderos limpios y libres de residuos para evitar el sobrecalentamiento y daños en el motor.
- No pulverice agua sobre el motor ni los componentes eléctricos.
- Limpie la batería y el cargador de baterías con un paño seco. Mantenga limpios los carriles de guía de la batería.
- Antes de insertar la batería en el cargador de baterías, asegúrese de que los terminales tanto de la batería como del cargador estén limpios.

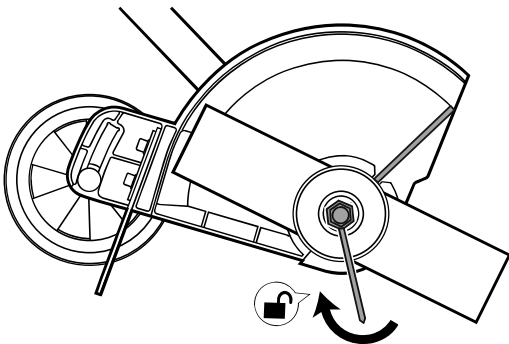
6.3 REEMPLAZO DE LA CUCHILLA

Nota: Si la cuchilla está dañada o desgastada, sustitúyala por una nueva (no incluida).

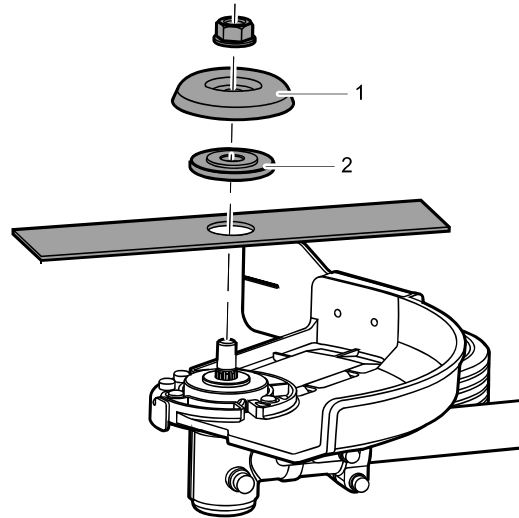
1. Bloquee la rotación de la cuchilla insertando la varilla metálica en el orificio del disco de accionamiento.



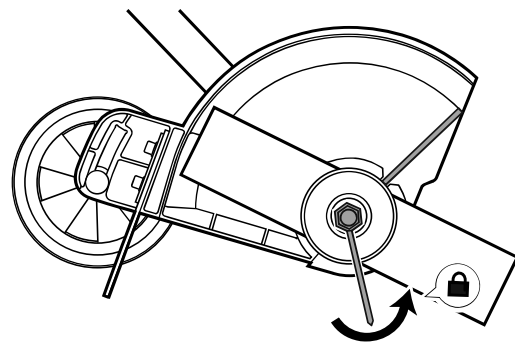
2. Retire la tuerca girándola en el sentido de las agujas del reloj con una llave de tubo.



3. Retire la copa exterior (1) y la brida de soporte (2).
4. Retire la cuchilla usada y sustitúyala por una nueva.

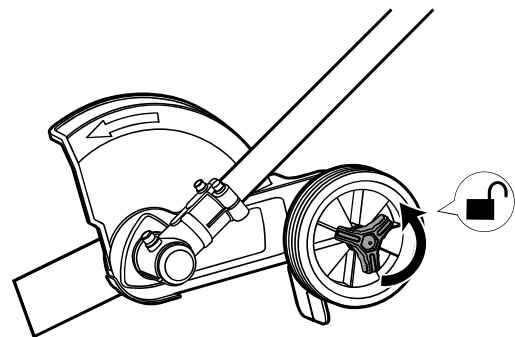


5. Coloque la brida de soporte y la copa exterior en la cuchilla.
6. Coloque la tuerca en la copa exterior y apriétela firmemente girándola en sentido antihorario.

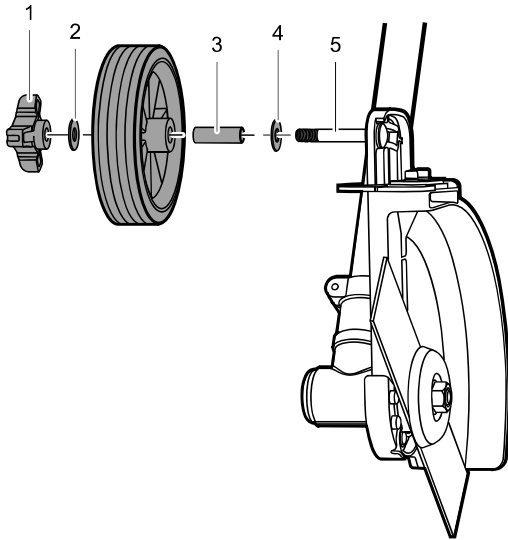


6.4 SUSTITUCIÓN DE LA RUEDA

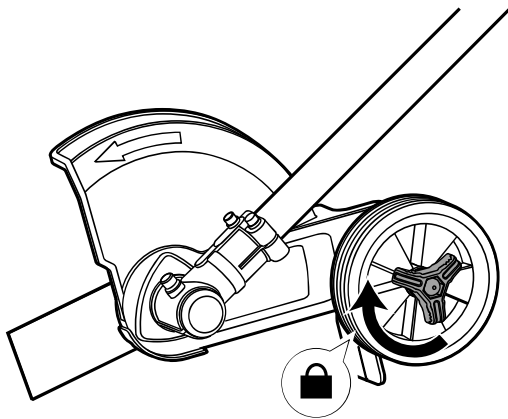
1. Gire la perilla de la rueda guía (1) en sentido antihorario para aflojarla y retirarla.



2. Retire la arandela (2), la rueda, el casquillo (3) y la arandela (6) del eje de la rueda (5).



3. Sustituya por una rueda nueva.
4. Inserte el eje de la rueda a través del orificio de montaje. Instale todas las piezas nuevamente en el producto en el orden que se muestra arriba.
5. Apriete firmemente la perilla de la rueda guía.



7 TRANSPORTE, ALMACENAMIENTO Y ELIMINACIÓN

7.1 TRANSPORTE Y ALMACENAMIENTO

- Siga los requisitos especiales de embalaje y etiquetado para el transporte comercial, incluso por parte de terceros y agentes de transporte.
- Pida consejo a una persona con formación especial en materiales peligrosos antes de enviar el producto y cumpla todos los reglamentos nacionales aplicables.
- Utilice cinta adhesiva en los contactos abiertos cuando embalaje la batería y asegúrese de que esté bien embalada para evitar que se mueva.
- Retire la batería antes de almacenar o transportar el producto.
- Almacene la batería y el cargador de baterías en un lugar seco, sin humedad y donde no haya heladas.

- Evite almacenar la batería en una zona donde pueda producirse electricidad estática y no la almacene en una caja metálica.
- Cargue la batería entre el 30% y el 50% antes del almacenamiento a largo plazo.
- Almacene el cargador de baterías en un espacio cerrado y seco.
- Mantenga la batería alejada del cargador de baterías durante el almacenamiento y asegúrese de que las personas no autorizadas, incluidos los niños, no toquen el equipo. Almacene el equipo en un lugar que pueda cerrar con llave.
- Limpie el producto y realice una revisión completa antes del almacenamiento a largo plazo.
- Utilice protecciones de transporte en el producto para evitar lesiones o daños durante el transporte y el almacenamiento.
- Almacene bien el producto durante el transporte para garantizar una manipulación segura.

ES

7.2 ELIMINACIÓN DE LA BATERÍA, EL CARGADOR DE BATERÍAS Y EL PRODUCTO

Los símbolos en el producto o en el embalaje del producto significan que el producto no es un desecho doméstico. Recíclelo en un centro de reciclaje de aparatos eléctricos y electrónicos. Esto ayuda a evitar daños al medio ambiente y las personas.

Póngase en contacto con las autoridades locales, el servicio de recogida de desechos domésticos o su distribuidor para obtener más información sobre cómo reciclar el producto.

8 SOLUCIÓN DE PROBLEMAS

Problema	Posible causa	Solución
El producto no se pone en marcha cuando aprieta el gatillo.	No hay contacto eléctrico entre el producto y la batería.	1. Retire la batería. 2. Inspeccione los contactos metálicos y vuelva a insertar la batería.
	La batería se ha agotado.	Cargue la batería.
	La palanca de bloqueo de seguridad y el gatillo no se accionan simultáneamente.	1. Pulse la palanca de bloqueo de seguridad y manténgala. 2. Apriete el gatillo para poner en marcha el producto.
El producto se detiene durante el uso.	La profundidad es demasiado baja.	Ajuste la profundidad. Consulte la sección <i>Ajuste de la profundidad de corte</i> .
	Camina demasiado rápido.	Reduzca la velocidad y evite forzar sobre la hierba.

9 DATOS TÉCNICOS

Tipo	Inalámbrico, con funcionamiento a batería
Motor	60V Sin escobillas
Velocidad sin carga	6200/7000 ± 10% RPM
Longitud de cuchilla	8" (203 mm)
Modelo de batería	LB60251 / LB6041 / LB6042 / LB6051 / LB6081 y otras series BAC
Modelo de cargador	CAC801 / CH60R00 / CH60DP01 / CHDPC10A y otras series CAC

10 GARANTÍA LIMITADA

Greenworks Los productos y las baterías están protegidos contra todo defecto de materiales, piezas o mano de obra en condiciones normales de uso

durante un período de 4 años a partir de la fecha de envío o de compra en la tienda.

A su discreción, **Greenworks** puede optar por reparar, reemplazar, sustituir por un artículo comparable, o emitir un reembolso por productos que se determine que son defectuosos durante el uso normal o que se han dañado durante el envío. Se requiere prueba de compra y registro del producto. La sustitución de productos o piezas sometidas a desgaste normal es responsabilidad del cliente.

Esta garantía es válida solo para las unidades que se han mantenido de acuerdo con las instrucciones que se encuentran en el manual del operador suministrado con el producto; y para las unidades que se han registrado de una de las siguientes maneras:

En línea: www.greenworkstools.com

Teléfono: 1-855-345-3934

Si **Greenworks** acepta una devolución en garantía, puede devolver el producto defectuoso o dañado solo después de llamar a nuestro equipo de Atención al Cliente y recibir una Autorización de Devolución de **Greenworks**. También recibirá un reembolso por sus gastos de envío originales, y **Greenworks** organizará y pagará los gastos de envío de su devolución. Para solicitar una Autorización de Devolución, póngase en contacto con nosotros en 1-855-345-3934.

10.1 ARTÍCULOS NO CUBIERTOS POR LA GARANTÍA

- Cualquier pieza que no funcione debido a mal uso, uso comercial, abuso, negligencia, accidente, mantenimiento inadecuado o alteración.
- La unidad, si no ha sido utilizada o mantenida de acuerdo con el manual del operario.
- Desgaste normal, excepto en lo indicado a continuación:
 - Artículos de mantenimiento de rutina tales como lubricantes.
 - Deterioro normal del acabado exterior debido al uso o la exposición.
 - Cualquier pieza/producto que no funcione debido a su uso con piezas o baterías/cargadores que no sean de la marca **Greenworks**.

10.2 LÍNEA DE ASISTENCIA TELEFÓNICA

Puede contactar con el servicio de garantía llamando a nuestra línea de asistencia telefónica gratuita a: 1-855-345-3934.

10.3 ENVÍO

Los costes de transporte por el desplazamiento de cualquier unidad o accesorio de equipos eléctricos son responsabilidad del comprador. Es responsabilidad del comprador pagar los costes de transporte de cualquier pieza enviada para su sustitución bajo esta garantía, a

menos que dicha devolución sea solicitada por escrito por **Greenworks**.

10.3.1 DIRECCIÓN

Dirección de EE. UU.:

Greenworks Herramientas

P.O. Box 1238, Mooresville, NC 28115

Dirección de Canadá:

Greenworks Tools Canada, Inc.

67 Toll Rd., Holland Landing, ON L9N 1H2

ES

greenworks[®]

www.greenworkstools.com

