

greenworks[®]

EN

STRING TRIMMER

OPERATOR MANUAL

FR

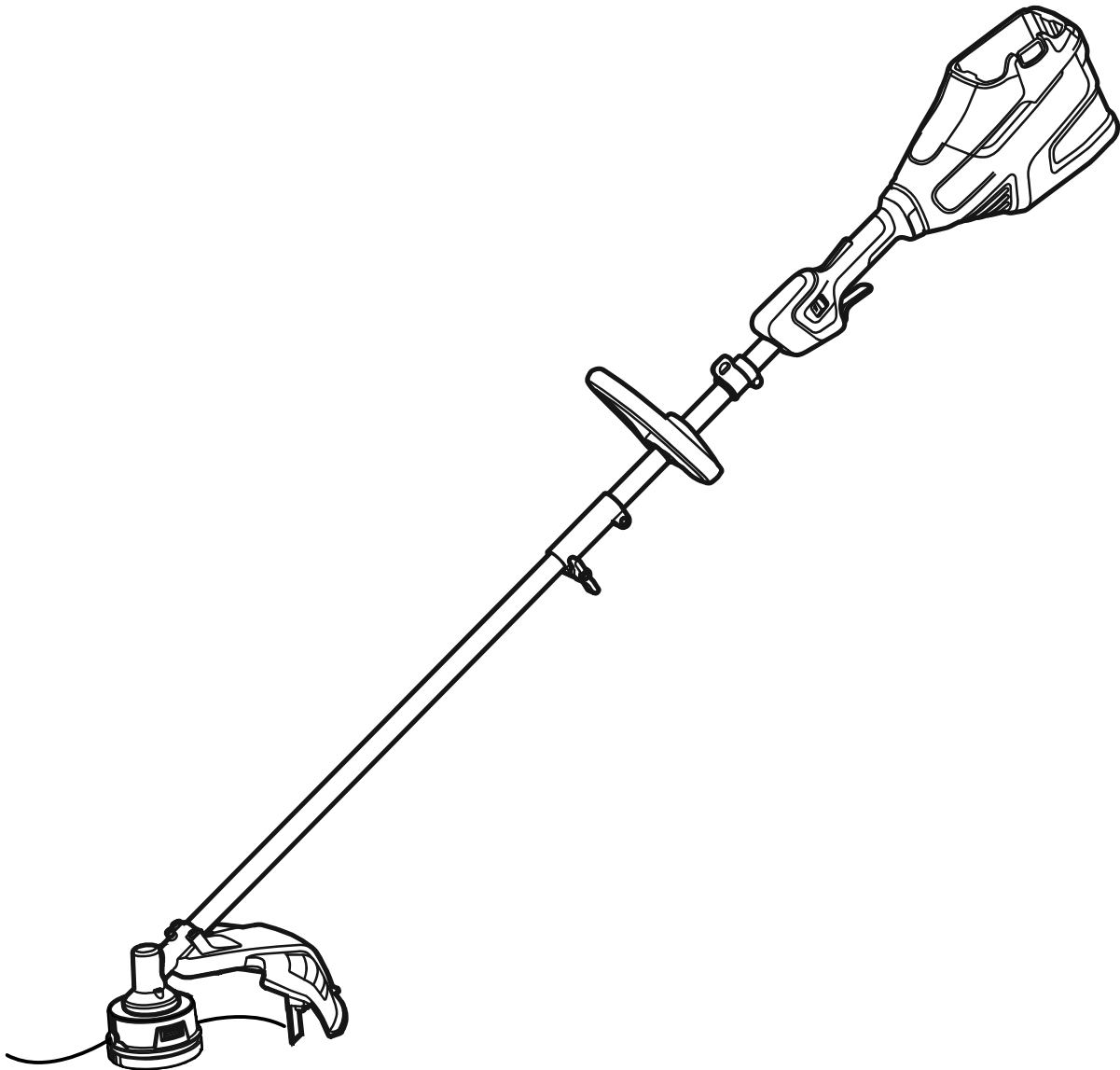
COUPE-HERBE

MANUEL D'OPÉRATEUR

ES

CORTABORDES

MANUAL DEL OPERADOR



STC459

www.greenworkstools.com

1	Introduction.....	4	5.2	Operate the product.....	9
1.1	Product description.....	4	5.3	Stop the product.....	10
1.2	Intended use.....	4	6	Maintenance.....	10
1.3	Product overview.....	4	6.1	Examine the battery and the battery charger.....	11
1.4	Symbols on the machine.....	4	6.2	Clean the product, the battery, and the battery charger....	11
1.5	California Proposition 65.....	5	6.3	Replace the spool.....	11
2	Safety.....	5	6.4	Install the cutting line.....	12
2.1	Safety definitions.....	5	7	Transportation, storage, and disposal.....	12
2.2	Important safety instructions.....	5	7.1	Transportation and storage.....	12
2.3	Inspect safety features.....	6	7.2	Disposal of the battery, battery charger, and product.....	13
3	Service.....	7	8	Troubleshooting.....	13
4	Assembly.....	7	9	Technical data.....	14
4.1	Install the Trimmer guard.....	7	10	Limited warranty.....	14
4.2	Assemble the shaft.....	7			
4.3	Install the auxiliary handle.....	8			
5	Operation.....	8			
5.1	Before you use the product.....	8			

1 INTRODUCTION

1.1 PRODUCT DESCRIPTION

This product is a battery-operated string trimmer with an electrical motor.

We are committed to continuously improving our products, and reserve the right to modify the design and appearance without prior notice.

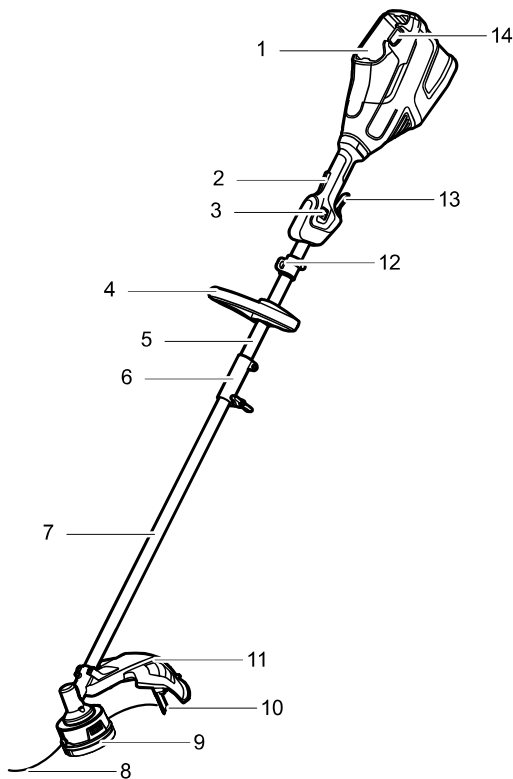
1.2 INTENDED USE

This product is designed to cut, trim, and clear different types of vegetation using the trimmer head. It should not be used for any other tasks.

Please note that national or local regulations may regulate the use of the product. It is important to comply with any regulations given.

Always use accessories that are approved by the manufacturer with this product.

1.3 PRODUCT OVERVIEW



- 1 Battery compartment
- 2 Safety-lock button
- 3 Speed switch
- 4 Auxiliary handle
- 5 Upper shaft
- 6 Coupler
- 7 Lower shaft
- 8 Cutting line

- 9 Trimmer head
- 10 String cut-off blade
- 11 Trimmer guard
- 12 Strap bracket
- 13 Trigger
- 14 Battery release button

1.4 SYMBOLS ON THE MACHINE

Some of the following symbols can be used on this machine. Please study them and learn their definition. Proper interpretation of these symbols will let you operate the tool better and safer.

Symbol	Explanation
V	Voltage
A	Current
Hz	Frequency (cycles per second)
W	Power
min	Time
/min	Revolutions, strokes, surface speed, orbits etc., per minute
	Direct current
	Precautions that involve your safety.
	Read and understand all instructions before you operate the machine, and follow all warnings and safety instructions.
	Always wear safety glasses with side shields marked to comply with ANSI Z87.1 when you operate this machine.
	Do not expose the machine to rain or moist conditions.
	Keep all bystanders at least 50-ft away.
	Do not install or use any type of blade on the machine or displaying this symbol.
	Thrown objects can ricochet and result in personal injury or property damage.

1.5 CALIFORNIA PROPOSITION 65

WARNING

THIS PRODUCT CONTAINS OR EMITS A CHEMICAL KNOWN TO THE STATE OF CALIFORNIA TO CAUSE CANCER OR BIRTH DEFECTS OR OTHER REPRODUCTIVE HARM.

2 SAFETY

2.1 SAFETY DEFINITIONS

Warnings, cautions, and notes are used to point out especially important parts of the manual.

WARNING

THERE IS A RISK OF INJURY OR DEATH FOR THE OPERATOR OR BYSTANDERS IF THE INSTRUCTIONS IN THE MANUAL ARE NOT OBEYED.

CAUTION

THERE IS A RISK OF DAMAGE TO THE PRODUCT, OTHER MATERIALS, OR THE ADJACENT AREA, IF THE INSTRUCTIONS IN THE MANUAL ARE NOT OBEYED.

Note: Used to give more information that is necessary in a given situation.

2.2 IMPORTANT SAFETY INSTRUCTIONS

READ ALL INSTRUCTIONS BEFORE USING (THIS POWER TOOL)

WARNING

READ AND UNDERSTAND ALL INSTRUCTIONS BEFORE USING THIS PRODUCT. FAILURE TO FOLLOW ALL INSTRUCTIONS LISTED BELOW MAY RESULT IN ELECTRIC SHOCK, FIRE, AND/OR SERIOUS PERSONAL INJURY.

- Use only identical manufacturer's replacement parts and accessories. Use of any other parts may create a hazard or cause product damage.
- Always wear safety glasses with side shields marked to comply with ANSI Z87.1. Everyday glasses have only impact resistant lenses. They are NOT safety glasses. Following this rule will reduce the risk of eye injury. Use face mask if operating in dusty workspaces.
- Avoid Dangerous Environment – Don't expose power tools to damp or wet conditions. Water entering a power tool will increase the risk of electric shock.

- Don't use in rain.
- Keep all bystanders, children, and pets at least 50 ft. away.
- Dress Properly – Do not wear loose clothing or jewelry. They can be caught in moving parts. Use of protective gloves and footwear is recommended when working outdoors. Wear protective hair covering to contain long hair.
- Use right Appliance. Do not use appliance for any job except that for which it is intended.
- Avoid Unintentional Starting – Avoid holding finger on the power switch when unit has battery inserted and is not in use. Carrying this unit with finger on switch when battery is inserted increases likelihood of accident.
- Don't Force Appliance – It will do the job better and with less likelihood of a risk of injury at the rate for which it was designed.
- Don't overreach – Keep proper footing and balance at all times.
- Stay alert – Watch what you are doing. Use common sense. Do not operate this unit when you are tired, ill or under the influence of alcohol, drugs, or medication.
- Always store idle power tools indoors – When not in use, power tools should be stored indoors in a dry and high or locked-up place, out of reach of children.
- The machine is not intended for use by persons (including children) with reduced physical, sensory, or mental capabilities, or lack of experience and knowledge, unless they have been given supervision or instruction concerning use of the machine by a person responsible for their safety. Children should be supervised to ensure that they do not play with the machine.
- Maintain Appliance With Care – Replace string head if cracked, chipped, or damaged in any way. Be sure the string head is properly installed and securely fastened. Keep cutting edge sharp and clean for best performance and to reduce the risk of injury. Follow instructions for lubricating and changing accessories. Inspect appliance cord periodically, and if damaged, have it repaired by an authorized service facility. Inspect extension cords periodically and replace if damaged. Keep handles dry, clean, and free from oil and grease. Failure to do so can cause serious injury.
- Check damaged parts before using the appliance, a guard or other part that is damaged should be carefully checked to determine that it will operate properly and perform its intended function. Check for alignment of moving parts, binding of moving parts, breakage of parts, damaged mountings, and any other condition that may affect its operation. A guard or other part that is damaged should be properly repaired or replaced by an authorized

service center unless indicated elsewhere in this manual.

- Remove or disconnect battery before servicing, cleaning, or removing material from the gardening appliance.
- Do not modify or attempt to repair the appliance or the battery pack (as applicable) except as indicated in the instructions for use and care. Use appliances only with specifically designated battery packs. Use of any other battery packs may create a risk of injury and fire. Use only with Greenworks LB60251 / LB6041 / LB6042 / LB6051 / LB6081 battery or other BAC series.
- Recharge only with the charger specified by the manufacturer. A charger that is suitable for one type of battery pack may create a risk of fire when used with another battery pack. Use only with Greenworks CAC801 / CH60R00 / CH60DP01 / CHDPC10A charger or other CAC series.
- When battery pack is not in use, keep it away from other metal objects, like paper clips, coins, keys, nails, screws, or other small metal objects, that can make a connection from one terminal to another. Shorting the battery terminals together may cause a fire.
- Under abusive conditions, liquid may be ejected from the battery; avoid contact. If contact accidentally occurs, flush with water. If liquid contacts eyes, additionally seek medical help. Liquid ejected from the battery may cause irritation or burns.
- Do not use a battery pack or appliance that is damaged or modified. Damaged or modified batteries may exhibit unpredictable behavior resulting in fire, explosion, or risk of injury.
- Do not expose a battery pack or appliance to fire or excessive temperature. Exposure to fire or temperature above 265 °F (130 °C) may cause an explosion.
- Do not dispose of the batteries in a fire. The cells may explode. Check with local codes for possible special disposal instructions.
- Do not open or mutilate the batteries. Released electrolyte is corrosive and may cause damage to the eyes or skin. It may be toxic if swallowed.
- Exercise care in handling batteries in order not to short the battery with conducting materials such as rings, bracelets, and keys. The battery or conductor may overheat and cause burns.
- Follow all charging instructions and do not charge the battery pack or appliance outside of the temperature range specified in the instructions. Charging improperly or at temperatures outside of the specified range may damage the battery and increase the risk of fire.
- Have servicing performed by a qualified repair person using only identical replacement parts.

This will ensure that the safety of the product is maintained.

- Keep guards in place and in working order.
- Keep hands and feet away from cutting area.
- Disconnect the battery pack from the appliance before making any adjustments, changing accessories, or storing appliance. Such preventive safety measures reduce the risk of starting the appliance accidentally.
- Use only with the nylon cutting line of 0.095" (2.4 mm) diameter. Do not use heavier lines than recommended by the manufacturer and line materials of other types – for example, metal wire, rope, and the like.

SAVE THESE INSTRUCTIONS

2.3 INSPECT SAFETY FEATURES

- Examine the work area to identify any potential hazards, such as uneven terrain, slopes, rocks, branches, or ditches.
- Perform all required safety inspections, maintenance, and servicing as specified in this manual.
- Check that all covers, guards, handles, and cutting equipment are properly attached and undamaged.
- Check the cutting attachment and cutting attachment guard for any damage or cracks and replace if necessary.

2.3.1 CHECK THE SAFETY-LOCK BUTTON AND TRIGGER

The safety-lock button is designed to prevent accidental operation. See **Product overview** to find where these parts are located on your product.

1. Make sure that the trigger is locked when the safety-lock button is not pressed.
2. Make sure that the trigger and safety-lock button move freely and that the return spring works correctly.
3. Simultaneously push the safety-lock button and pull the trigger to start the product.
4. Test on high-speed mode.
5. Release the trigger and make sure that the cutting attachment stops completely.

2.3.2 CHECK CUTTING ATTACHMENT GUARD

The cutting attachment guard is a crucial safety device that prevents objects from being thrown towards the operator and prevents injury if the cutting attachment is touched.

⚠ WARNING

DO NOT USE A CUTTING ATTACHMENT WITHOUT AN APPROVED AND CORRECTLY ATTACHED CUTTING ATTACHMENT GUARD. ALWAYS USE THE RECOMMENDED CUTTING ATTACHMENT GUARD FOR THE CUTTING ATTACHMENT THAT YOU USE. USING AN INCORRECT OR FAULTY CUTTING ATTACHMENT GUARD CAN CAUSE SERIOUS PERSONAL INJURY.

1. Stop the product and remove the battery.
2. Visually inspect for damage, such as cracks.
3. Replace the cutting attachment guard if it is damaged.

3 SERVICE

Servicing requires extreme care, and knowledge and must be performed only by a qualified service technician. Consult your nearest **AUTHORIZED SERVICE CENTER** for repair. Call 1-855-345-3934 to obtain the address. Only use identical manufacturer's replacement parts and accessories from the **AUTHORIZED SERVICE CENTER**.

4 ASSEMBLY

This section describes how to assemble and adjust the product.

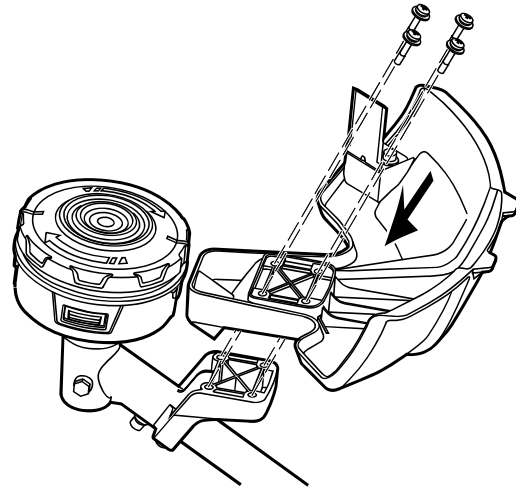
⚠ WARNING

CAREFULLY READ AND UNDERSTAND THE SAFETY CHAPTER AND THE ASSEMBLY INSTRUCTIONS BEFORE YOU ASSEMBLE THE PRODUCT.

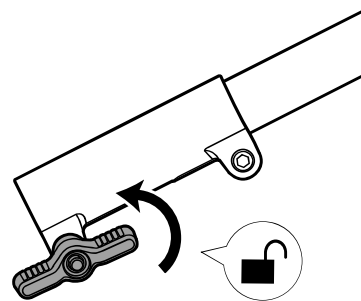
4.1 INSTALL THE TRIMMER GUARD**⚠ WARNING**

- **THE STRING CUT-OFF BLADE MUST ALWAYS BE EQUIPPED ON THE TRIMMER GUARD BEFORE OPERATING THE PRODUCT.**
- **DO NOT TOUCH THE STRING CUT-OFF BLADE.**

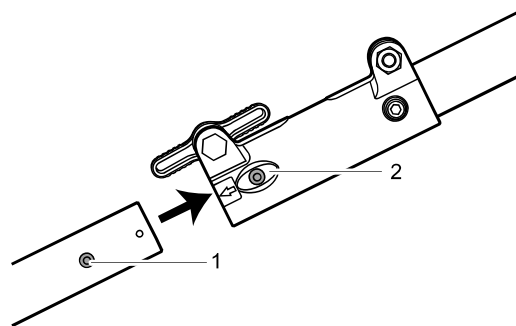
1. Remove the screws from the trimmer guard with a Phillips head screwdriver (not included).
2. Place the trimmer guard onto the shaft.
3. Securely tighten the screws with a Phillips head screwdriver.

**4.2 ASSEMBLE THE SHAFT**

1. Loosen the knob on the coupler.

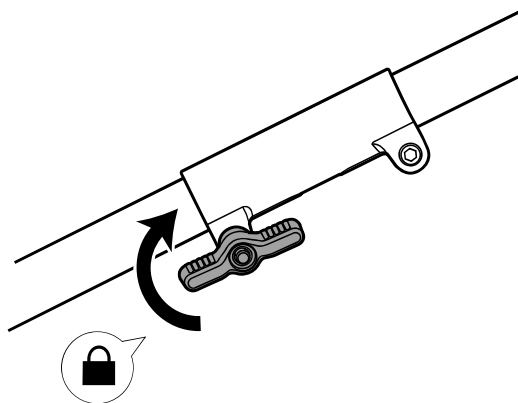


2. Push in the release button (1) on the lower shaft.
3. Align the release button with the mounting hole (2) and slide the two shafts together.

**⚠ CAUTION**

EXERCISE CAUTION WHILE SLIDING THE TWO SHAFTS TOGETHER TO PREVENT ANY RISK OF PINCHING YOUR HANDS OR FINGERS.

4. Turn the lower shaft until the button locks into the mounting hole.
5. Securely tighten the knob.



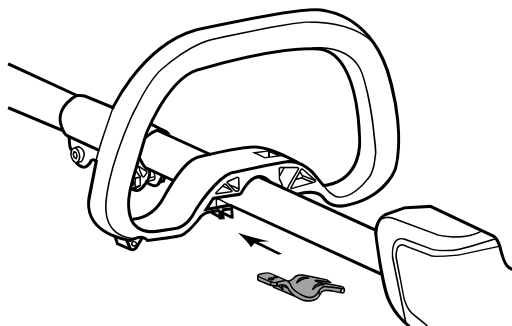
Note: When properly assembled, the upper and lower shaft should not separate when pulled.

⚠ WARNING

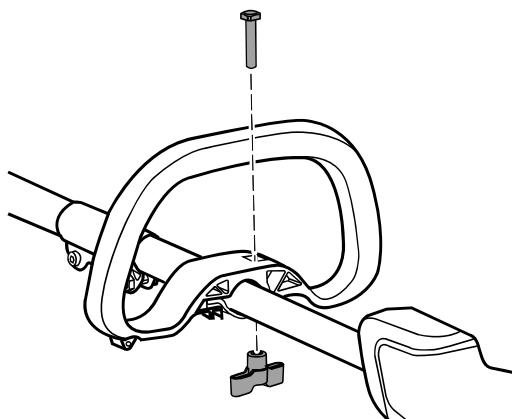
CAREFULLY FOLLOW THE ASSEMBLY INSTRUCTIONS AS DESCRIBED ABOVE. FAILURE TO DO SO MAY LEAD TO THE PRODUCT SEPARATING, WHICH INCREASES THE RISK OF PERSONAL INJURY.

4.3 INSTALL THE AUXILIARY HANDLE

1. Attach the auxiliary handle on the shaft.
2. Place the lower clamp into the slot on the auxiliary handle.



3. Install the screw and the knob. Do not fully tighten.



4. Adjust the auxiliary handle to desired position.
5. Securely tighten the wing bolt.

5 OPERATION

This section describes how to operate the product.

⚠ WARNING

CAREFULLY READ AND UNDERSTAND THE SAFETY CHAPTER AND OPERATION INSTRUCTIONS BEFORE YOU OPERATE THE PRODUCT.

5.1 BEFORE YOU USE THE PRODUCT

5.1.1 CONNECT THE BATTERY CHARGER

1. Connect the battery charger to the proper voltage and frequency that is specified on the rating plate.
2. Refer to the Battery Charger Operator Manual for information about how to use the battery charger.

5.1.2 CHARGE THE BATTERY

Refer to the Battery Charger Operator Manual for information about how to use the battery charger.

5.1.3 BATTERY INFORMATION

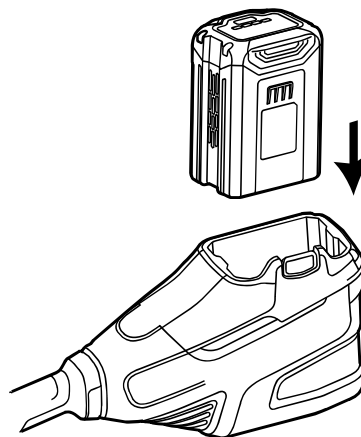
Refer to the Battery Operator Manual for information about how to use the battery.

5.1.4 CONNECT THE BATTERY TO THE PRODUCT

⚠ WARNING

ONLY USE THE ORIGINAL BATTERY WITH THE PRODUCT.

1. Make sure that the battery is fully charged.
2. Push the battery into the battery compartment. The battery locks into position when you hear a click.



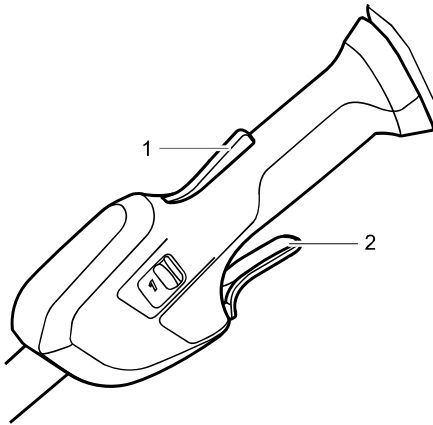
 CAUTION

IF THE BATTERY DOES NOT FIT EASILY INTO THE BATTERY HOLDER, IT MAY NOT BE INSTALLED CORRECTLY, WHICH CAN CAUSE DAMAGE TO THE BATTERY AND/OR THE PRODUCT.

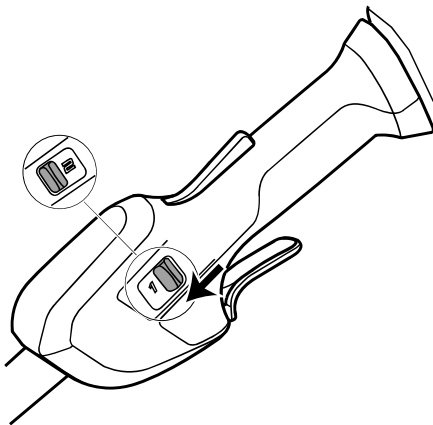
3. Make sure that the battery is installed securely.

5.1.5 START THE PRODUCT

1. Simultaneously push the safety-lock button (1) and pull the trigger (2).



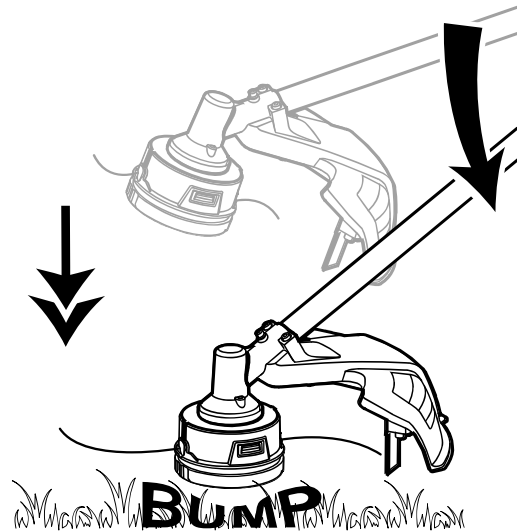
2. Adjust the speed according to the grass condition by sliding the speed switch.



5.2 OPERATE THE PRODUCT

5.2.1 ADJUST THE LENGTH OF THE CUTTING LINE

When the cutting line becomes short during operation, bump the trimmer head on a hard, flat surface to extend more cutting line out. It is recommended to operate the product on high-speed mode for dense work areas.

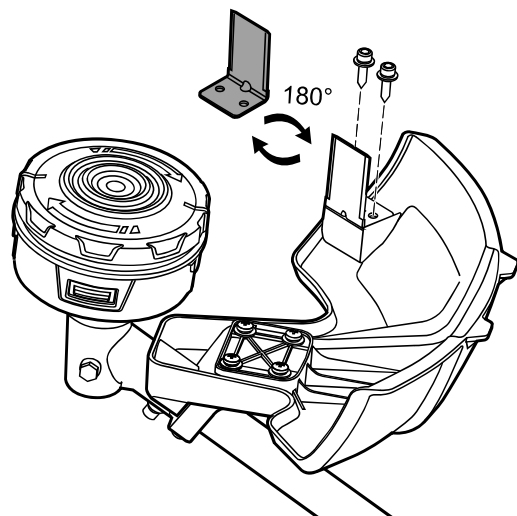


This trimmer is equipped with a string cut-off blade on the trimmer guard. The string cut-off blade continuously trims the line to ensure a consistent and efficient cutting diameter. This will maintain best performance and keep line long enough to advance properly.

5.2.2 ADJUST THE CUTTING DIAMETER

Note: The cutting diameter of the product is set to 14 in. (35.6 cm), but it can be modified to 16 in. (40.6 cm) for a larger cutting area or kept at 14 in. (35.6 cm) for longer runtime.

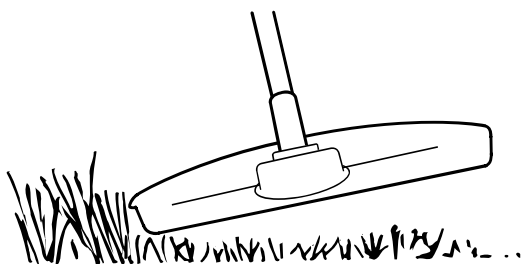
1. First, start by removing the battery.
2. Unscrew the blade screws securing the string cut-off blade with the hex key.
3. Turn the string cut-off blade 180°.
4. Securely tighten the blade screws.



5.2.3 TRIM GRASS WITH A TRIMMER HEAD

Trim the grass

1. Hold the trimmer head above the ground at an angle. Do not push the cutting line into the grass.



2. Decrease the speed to decrease the risk of damage to plants.
3. Use low-speed mode when cutting grass near objects.

Clear the grass

1. Keep the trimmer head above the ground.
2. Tilt the trimmer head.
3. Cut with the end of the cutting line around objects in the work area.

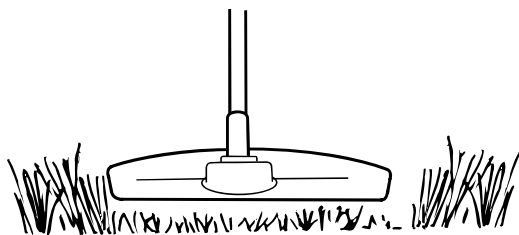
⚠ CAUTION

OTHER OBJECTS THAT ARE HIT BY THE CUTTING LINE, INCREASE THE WEAR ON THE CUTTING LINE.

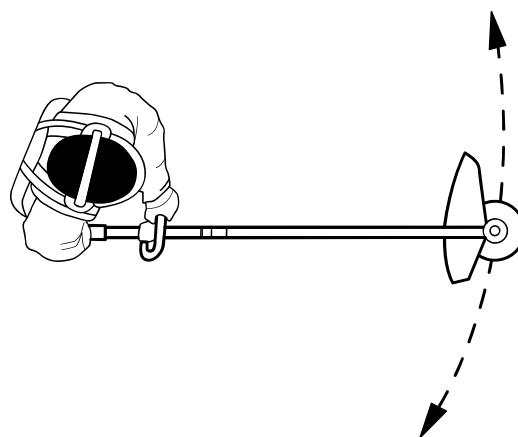
4. Use low-speed mode when cutting and clearing vegetation. This decreases the wear on the trimmer head and cutting line.

Cut the grass

1. Make sure that the cutting line is parallel to the ground.



2. Do not push the trimmer head to the ground as this can cause damage to the product.
3. Move the product from side to side when you cut grass. Use high-speed mode for optimal performance.



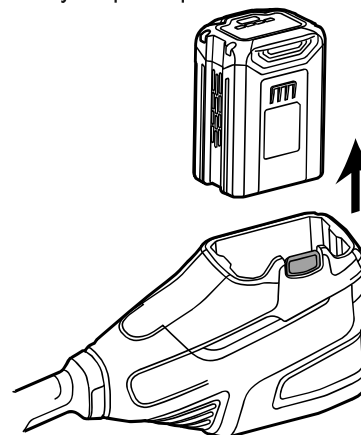
Sweep the grass

The airflow from the rotating cutting line can be used to remove cut grass from an area.

1. Hold the trimmer head and the cutting line parallel to the ground and above the ground.
2. Use on high-speed mode.
3. Move the trimmer head from side to side to sweep the grass.

5.3 STOP THE PRODUCT

1. Release the trigger.
2. Push the battery release button and pull out the battery to fully stop its operation.



⚠ WARNING

WAIT UNTIL THE MOTOR STOPS BEFORE YOU REMOVE THE BATTERY.

6 MAINTENANCE

This section describes how to maintain the battery, battery charger, and product.

⚠ WARNING

CAREFULLY READ AND UNDERSTAND THE SAFETY CHAPTER AND OPERATION INSTRUCTIONS BEFORE YOU DO ANY MAINTENANCE WORK.

Before you do maintenance:

- Stop the product.
- Remove the battery.
- Allow the motor to cool.
- Use correct clothing, protective gloves, and safety glasses.

6.1 EXAMINE THE BATTERY AND THE BATTERY CHARGER

Carefully inspect the battery, battery charger, and connection cord of the battery charger for any signs of damage, such as cracks or broken parts. Replace if necessary.

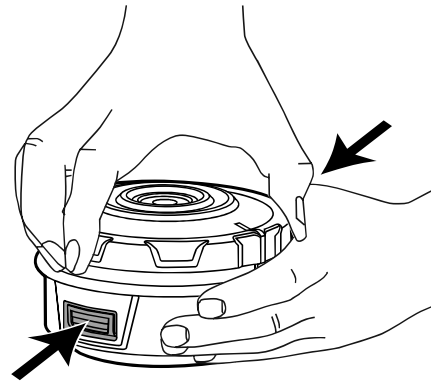
6.2 CLEAN THE PRODUCT, THE BATTERY, AND THE BATTERY CHARGER

- Clean the product after each use with a moist cloth and neutral detergent.
- Do not use strong detergents or solvents like "glass cleaner" to clean the plastic parts or handles.
- Keep the trimmer head free from grass, leaves, or excessive grease.
- Keep the air vents clean and free of debris to avoid overheating and damage to the motor.
- Do not spray water on the motor and electrical components.
- Clean the battery and battery charger with a dry cloth. Keep the battery guide tracks clean.
- Prior to inserting the battery into the battery charger, ensure that the terminals on both the battery and the battery charger are clean.

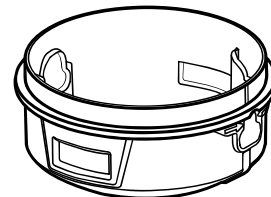
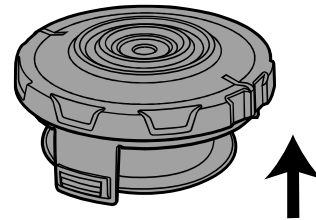
6.3 REPLACE THE SPOOL

Note: For normal use, head disassembly is not necessary. However, if circumstances require disassembly, follow these instructions.

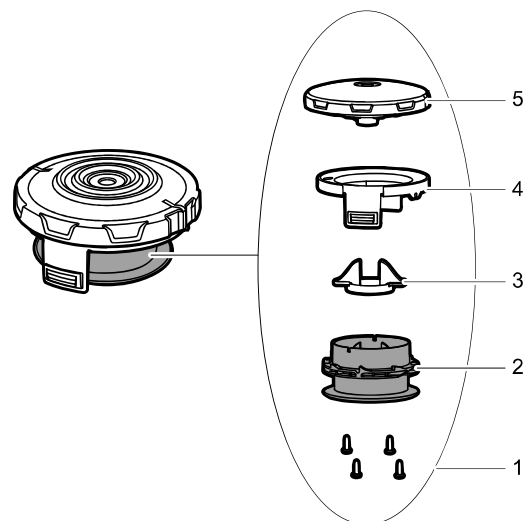
1. Push the two tabs on the sides of the trimmer head at the same time.



2. Pull and remove the spool cover assembly.



3. Remove the remaining cutting line and thoroughly clean any dirt or debris from all parts.
4. Remove screws (1), spool (2), slot cover (3), and location housing (4) from the spool cover (5).

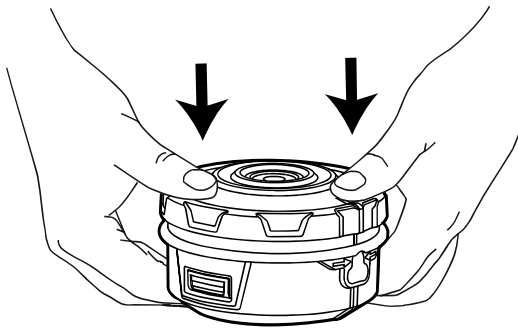


5. Replace with a new spool.

Note: If any parts of the spool assembly are damaged or worn, replace the damaged part and reassemble them as pictured in Step 4.

6. Place the location housing and slot cover onto the spool cover, then put the spool onto the slot cover to the desired position.
7. Tighten with the screws.

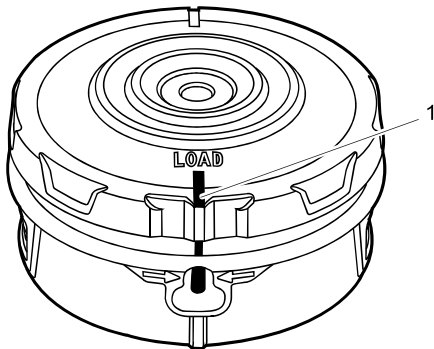
8. Align the spool tabs with the tab openings on the spool housing.
9. Push the spool cover assembly until it clicks into position.



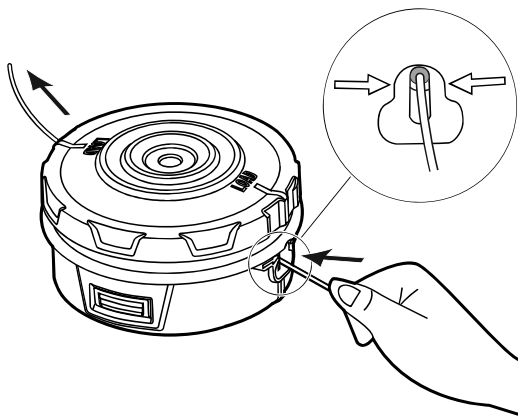
6.4 INSTALL THE CUTTING LINE

Note: Do not use more than 23 ft. (7 m) of 0.095" (2.4 mm) cutting line at a time.

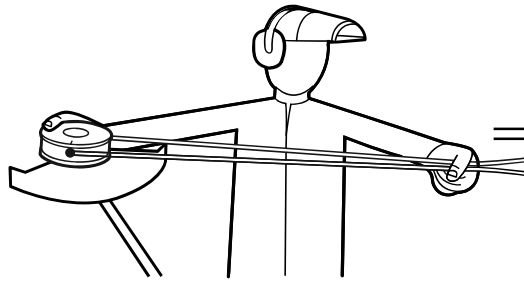
1. Remove any leftover cutting line from the trimmer head.
2. Push and turn the spool cover. Ensure that the slot (1) on the spool cover aligns with the line exit hole on the trimmer head.



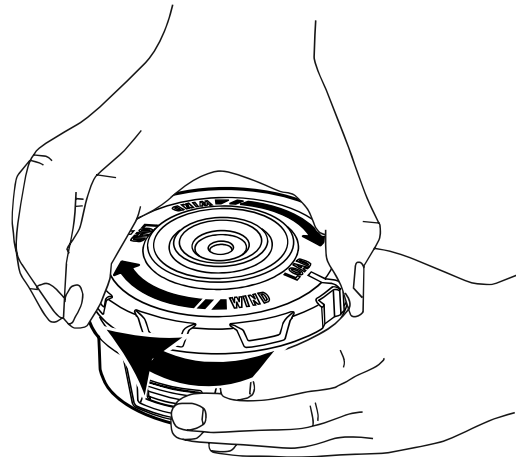
3. Feed the cutting line through the hole and push it until it exits the opposite hole.



4. Pull the cutting line through until there is an equal amount of cutting line on each side.



5. Turn the spool cover clockwise to wind the cutting line into the trimmer head. Keep approximately 5" of cutting line above out of each side of the trimmer head.



7 TRANSPORTATION, STORAGE, AND DISPOSAL

7.1 TRANSPORTATION AND STORAGE

- Follow special packaging and labeling requirements for commercial transportation, including by third parties and forwarding agents.
- Seek advice from a person with special training in dangerous materials before shipping the product and comply with all applicable national regulations.
- Use tape on open contacts when packaging the battery and ensure it is securely packed to prevent movement.
- Remove the battery before storing or transporting the product.
- Store the battery and battery charger in a dry, moisture-free, and frost-free space.
- Avoid storing the battery in an area where static electricity may occur, and do not store in a metal box.
- Charge the battery 30% to 50% before long-term storage.
- Store the battery charger in a closed and dry space.
- Keep the battery away from the battery charger during storage, and ensure that unauthorized persons, including children, do not touch the equipment. Store the equipment in a lockable space.

- Clean the product and perform full servicing before long-term storage.
- Use transportation guards on the product to prevent injury or damage during transportation and storage.
- Securely stow the product during transport to ensure safe handling.

7.2 DISPOSAL OF THE BATTERY, BATTERY CHARGER, AND PRODUCT

Symbols on the product or the package of the product mean that the product is not domestic waste. Recycle it at a recycling station for electrical and electronic equipment. This helps to prevent damage to the environment and persons.

Get in touch with your local authorities, domestic waste service, or your dealer for more information about how to recycle your product.

8 TROUBLESHOOTING

Problem	Possible Cause	Solution
The product does not start when the trigger is pulled.	No electrical contact between the product and the battery.	1. Remove battery. 2. Inspect the metal contacts and reinsert the battery.
	The battery is depleted.	Charge the battery pack.
	The safety-lock button and trigger are not operated at the same time.	1. Push the safety-lock button and hold it. 2. Pull the trigger to start the product.
The product stops when you are cutting.	The guard is not attached to the trimmer head.	Remove the battery and attach the guard to the trimmer head.
	Cutting line is too heavy.	Use only with the nylon cutting line of 0.095" (2.4 mm) diameter.
	The grass becomes tangled around the motor shaft or the trimmer head.	1. Stop the product. 2. Remove the battery. 3. Remove the grass from the motor shaft and trimmer head.

Problem	Possible Cause	Solution	
	The motor is overloaded.	1. Pull the trimmer head away from the grassy area. 2. Allow the product to cool for at least 10 minutes. 3. Cut in stages and guide the trimmer head in and out of the grass, making sure not to cut more than 8" per pass.	
	The battery or product is too hot.	1. Allow the battery or product to cool for at least 10 minutes. Remove the battery from the product to help the product cool down more quickly.	
	The battery pack is disconnected from the product.	Install the battery again.	
	The battery pack is depleted.	Charge the battery pack.	
	The cutting line does not extend.	Lines are interlocked.	1. Remove the interlocked lines. 2. Rewind the lines.
		Not enough line on spool.	Install more line.
	Lines are worn too short.	1. Remove the battery. 2. Press and hold the bump head. 3. Pull out lines manually.	
	Lines are tangled on spool.	1. Remove the lines from the spool. 2. Wind the lines.	
	The cutting line keeps breaking.	The product is used incorrectly. 1. Cut with the tip of the line, avoid stones, walls, and other hard objects.	

Problem	Possible Cause	Solution
		2. Advance the cutting line regularly to keep full cutting width.
The grass becomes tangled around the trimmer head and motor housing.	Grass too high.	1. Cut in stages. 2. Cut no more than 8" in each pass to prevent tangling.
The cutting line is improperly cut.	The string cut-off blade becomes dull.	Sharpen the string cut-off blade with a file or replace it.
Too much vibration.	The line is worn down at one side and not advanced in time.	Make sure that the line on both sides is not damaged. Extend the line.
	The trimmer head is worn down.	Replace with a new trimmer head.
	The line has run out.	Install more line.

9 TECHNICAL DATA

Type	Cordless, battery powered
Motor	60V Brushless
No load speed	5500/6500 ± 10% RPM
Cutting line diameter	0.095" (2.4 mm)
Cutting width	14 in. / 16 in. (35.6 cm / 40.6 cm)
Line feeding system	Bump Feed
Battery model	LB60251 / LB6041 / LB6042 / LB6051 / LB6081 and other BAC series
Charger model	CAC801 / CH60R00 / CH60DP01 / CHDPC10A and other CAC series

The recommended ambient temperature range:

Condition	Temperature
Product storage	32°F (0°C) - 113°F (45°C)
Product operation	32°F (0°C) - 113°F (45°C)
Battery charging	39°F (4°C) - 104°F (40°C)
Charger operation	39°F (4°C) - 104°F (40°C)
Battery storage	32°F (0°C) - 113°F (45°C)
Battery discharging	32°F (0°C) - 113°F (45°C)

10 LIMITED WARRANTY



Greenworks hereby warrants this product, to the original purchaser with proof of purchase, for a period of four (4) years against defects in materials, parts or workmanship. Greenworks, at its own discretion will repair or replace any and all parts found to be defective, through normal use, free of charge to the customer. This warranty is valid only for units which have been used for personal use that have not been hired or rented for industrial/commercial use, and that have been maintained in accordance with the instructions in the operator manual supplied with the product from new.

ITEMS NOT COVERED BY WARRANTY:

- Any part that has become inoperative due to misuse, commercial use, abuse, neglect, accident, improper maintenance, or alteration; or
- The unit, if it has not been operated and/or maintained in accordance with the operator manual; or
- Normal wear;
- Routine maintenance items such as lubricants, blade sharpening;
- Normal deterioration of the exterior finish due to use or exposure.

HELPLINE:

Warranty service is available by calling our toll-free helpline, at 1-855-345-3934.

TRANSPORTATION CHARGES:

Transportation charges for the movement of any power equipment unit or attachment are the responsibility of the purchaser. It is the purchaser's responsibility to pay transportation charges for any part submitted for

replacement under this warranty unless such return is requested in writing by Greenworks.

USA address:

Greenworks Tools

P.O. Box 1238, Mooresville, NC 28115

Canadian address:

Greenworks Tools Canada, Inc.

P.O. Box 93095, Newmarket, Ontario, L3Y 8K3

Mexico address:

TECNOLOGIA CAMPO Y JARDIN S.A. DE C.V.

ADMINISTRADORES No. 5336 A, COL. ARCOS DE GUADALUPE, ZAPOPAN , JALISCO , C.P. 45037

1	Introduction.....	17	5.1	Avant d'utiliser le produit.....	21
1.1	Description du produit.....	17	5.2	Utilisation du produit.....	22
1.2	Utilisation conforme.....	17	5.3	Arrêt du produit.....	23
1.3	Aperçu du produit.....	17	6	Entretien.....	24
1.4	Symboles figurant sur la machine.....	17	6.1	Examinez la batterie et le chargeur de batterie.....	24
1.5	California Proposition 65.....	18	6.2	Nettoyage du produit, de la batterie et du chargeur de batterie.....	24
2	Sécurité.....	18	6.3	Remplacez la bobine.....	24
2.1	Définitions de sécurité.....	18	6.4	Installez la ligne de coupe.....	25
2.2	Instructions importantes sur la sécurité.....	18	7	Transport, entreposage et mise au rebut.....	26
2.3	Inspection des fonctionnalités de sécurité.....	19	7.1	Transport et entreposage.....	26
3	Service.....	20	7.2	Mise au rebut de la batterie, du chargeur de batterie et du produit.....	26
4	Assemblage.....	20	8	Dépannage.....	27
4.1	Installation de la protection de coupe-bordure.....	20	9	Données techniques.....	28
4.2	Assemblez l'arbre.....	20	10	Garantie limitée.....	28
4.3	Installez la poignée auxiliaire.....	21			
5	Utilisation.....	21			

1 INTRODUCTION

1.1 DESCRIPTION DU PRODUIT

Ce produit est un coupe-bordure filaire sur batterie doté d'un moteur électrique.

Nous nous engageons à améliorer en continu nos produits et nous réservons donc le droit de modifier le design et l'apparence sans préavis.

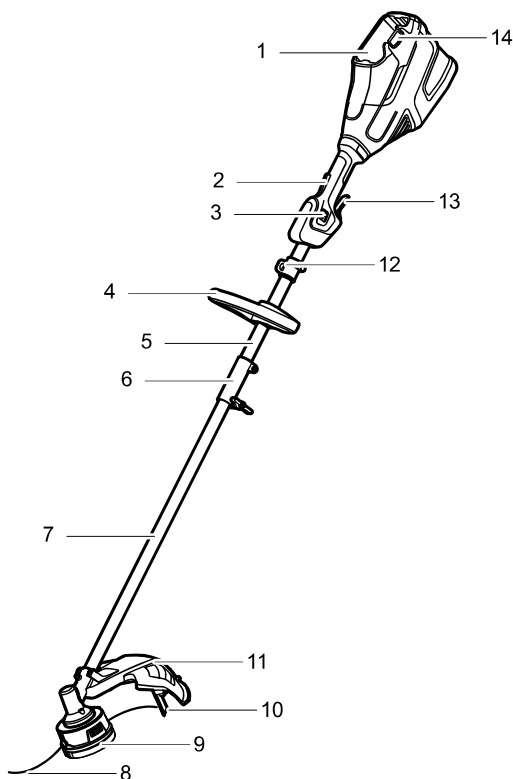
1.2 UTILISATION CONFORME

Ce produit est conçu pour couper, tailler et dégager tout type de végétation avec une tête de coupe. Il ne doit pas être utilisé pour une quelconque autre tâche.

Veillez noter que les réglementations nationales ou locales peuvent réglementer l'usage du produit. Il est important de respecter toute réglementation donnée.

Utilisez systématiquement les accessoires agréés par le fabricant avec ce produit.

1.3 APERÇU DU PRODUIT



- 1 Compartiment de batterie
- 2 Bouton de verrouillage de sécurité
- 3 Interrupteur de vitesse
- 4 Poignée auxiliaire
- 5 Arbre supérieur
- 6 Coupleur
- 7 Arbre inférieur
- 8 Ligne de coupe

- 9 Tête de coupe
- 10 lame de coupe-fil
- 11 Protection de coupe-bordure
- 12 Support à sangle
- 13 Gâchette
- 14 Bouton de libération de batterie

1.4 SYMBOLES FIGURANT SUR LA MACHINE

Certains des symboles suivants peuvent être utilisés sur cette machine. Veuillez les étudier et apprendre leur signification. Une bonne interprétation de ces symboles vous permettra de mieux utiliser l'outil et de manière plus sécuritaire.

Symbole	Explication
V	Voltage
A	Courant
Hz	Fréquence (cycles par seconde)
W	Puissance
min	Heure
/min	Tours, coups, vitesse périphérique, orbites, etc., par minute
— — —	Courant direct
	Précautions destinées à assurer la sécurité.
	Lisez et comprenez toutes les instructions avant d'utiliser cette machine, et suivez tous les avertissements et les consignes de sécurité.
	Portez toujours des lunettes de sécurité dont les écrans latéraux sont conformes à la norme ANSI Z87.1 lorsque vous utilisez cette machine.
	Ne pas exposer la machine à la pluie ou à l'humidité.
	Tenez tous les curieux à une distance d'au moins 15 m (50 pi).
	N'installez ou n'utilisez aucun type de lame sur une machine qui affiche ce symbole.
	Les objets projetés peuvent ricocher et causer des blessures corporelles ou des dommages matériels.

1.5 CALIFORNIA PROPOSITION 65

FR

AVERTISSEMENT

CE PRODUIT CONTIENT OU ÉMET UN PRODUIT CHIMIQUE CONNU DANS L'ÉTAT DE CALIFORNIE COMME ÉTANT UNE CAUSE DE CANCER, DE MALFORMATIONS CONGÉNITALES OU D'AUTRES PROBLÈMES DE REPRODUCTION.

2 SÉCURITÉ

2.1 DÉFINITIONS DE SÉCURITÉ

Les avertissements, précautions et notes mettent l'accent sur des parties spécialement importantes du manuel.

AVERTISSEMENT

L'OPÉRATEUR OU LES BADAUDS SONT EXPOSÉS À UN RISQUE DE BLESSURES, PARFOIS MORTELLES, SI LES INSTRUCTIONS DU MANUEL NE SONT PAS RESPECTÉES.

ATTENTION

LE PRODUIT, LE RESTE DU MATÉRIEL OU LA ZONE ADJACENTE EST EXPOSÉ À UN RISQUE DE DOMMAGES SI LES INSTRUCTIONS DU MANUEL NE SONT PAS RESPECTÉES.

Note : Pour un complément d'information nécessaire dans une situation donnée.

2.2 INSTRUCTIONS IMPORTANTES SUR LA SÉCURITÉ

LISEZ TOUTES LES INSTRUCTIONS AVANT L'UTILISATION (CET OUTIL ÉLECTRIQUE)

AVERTISSEMENT

LISEZ ET COMPRENEZ TOUTES LES INSTRUCTIONS AVANT D'UTILISER CE PRODUIT. LE NON-RESPECT DES AVERTISSEMENTS ET INSTRUCTIONS LISTÉS À LA SUITE PEUT ENTRAÎNER UN CHOC ÉLECTRIQUE, UN INCENDIE OU DES BLESSURES GRAVES.

- Utilisez uniquement des pièces de rechange et des accessoires identiques du fabricant. L'utilisation d'autres pièces peut créer un danger ou endommager le produit.
- Portez toujours des lunettes de sécurité dont les écrans latéraux sont conformes à la norme ANSI Z87.1. Les lunettes ordinaires sont dotées de verres résistants aux impacts seulement. Ce ne sont PAS des lunettes de sécurité. Le respect de cette

règle réduira le risque de blessures aux yeux. Utilisez un masque facial si vous travaillez dans des environnements poussiéreux.

- Évitez les endroits dangereux – N'exposez pas les outils électriques à des conditions humides ou mouillées. L'eau qui pénètre dans un outil électrique augmente le risque de choc électrique.
- N'utilisez pas sous la pluie.
- Tenez tous les curieux, les enfants et les animaux domestiques à une distance d'au moins 50 pi (15 m).
- Habillez-vous correctement – Ne portez pas de vêtements amples ou de bijoux. Ils pourraient se coincer dans les pièces en mouvement. Le port de gants de protection et de chaussures protectrices est recommandé pour travailler à l'extérieur. Portez un couvre-chef protecteur pour contenir les cheveux longs.
- Utilisez le bon appareil. N'utilisez l'appareil que pour les travaux auxquels il est destiné.
- Évitez les démarrages involontaires — Évitez de tenir le doigt sur l'interrupteur d'alimentation lorsqu'une batterie est insérée dans l'appareil, mais que celui-ci n'est pas utilisé. Transporter cet appareil avec un doigt sur l'interrupteur lorsqu'une batterie est insérée augmente le risque d'accident.
- Ne forcez pas l'appareil – Il fera mieux le travail et avec moins de risque de blessure à la vitesse pour laquelle il a été conçu.
- Ne vous penchez pas trop – Gardez un bon équilibre en tout temps.
- Soyez vigilant – Faites attention à ce que vous faites. Faites appel à votre bon sens. N'utilisez pas cette unité si vous êtes fatigué, malade ou sous l'influence de l'alcool, de drogues ou de médicaments.
- Rangez toujours les outils électriques inutilisés à l'intérieur – Lorsqu'ils ne sont pas utilisés, entreposez-les à l'intérieur dans un endroit sec, hors de portée des enfants.
- La machine n'est pas destinée à être utilisée par des personnes (y compris des enfants) ayant des capacités physiques, sensorielles ou mentales réduites ou un manque d'expérience et de connaissances, à moins qu'elles n'aient reçu une supervision ou des instructions concernant son utilisation par une personne responsable de leur sécurité. Les enfants doivent être surveillés pour s'assurer qu'ils ne jouent pas avec la machine.
- Effectuez l'entretien de l'appareil avec précaution - Remplacez la tête de coupe si elle est fissurée, ébréchée ou endommagée de quelque façon que ce soit. Assurez-vous que la tête de coupe est correctement installée et solidement fixée. Gardez le bord des dents bien aiguisé et propre pour une meilleure performance et pour réduire les risques de blessures. Suivez les instructions pour lubrifier et changer les

accessoires. Inspectez périodiquement le cordon de l'appareil. S'il est endommagé, faites-le réparer par un réparateur agréé. Inspectez périodiquement les rallonges électriques et remplacez-les si elles sont endommagées. Veillez à ce que les poignées restent propres, sèches et exemptes d'huile et de graisse. Le non-respect de cette consigne peut entraîner des blessures corporelles graves.

- Vérifier les pièces endommagées avant d'utiliser l'appareil. Il convient de vérifier soigneusement la garde protectrice ou toute autre pièce endommagée pour s'assurer qu'il fonctionnera correctement comme prévu. Vérifiez l'alignement des pièces mobiles, la fixation des pièces mobiles, la cassure des pièces, les fixations endommagées et toute autre condition qui pourrait affecter leur fonctionnement. Une garde protectrice ou toute autre pièce endommagée doit être correctement réparée ou remplacée par un centre de service agréé, sauf en cas d'indication contraire dans ce manuel.
- Retirez ou déconnectez la batterie avant d'entretenir, de nettoyer ou d'enlever des matériaux de l'appareil de jardinage.
- Ne modifiez pas ou n'essayez pas de réparer l'appareil ou la batterie (selon le cas) sauf en conformité avec les instructions d'utilisation et d'entretien indiquées dans ce manuel. Utilisez les appareils uniquement avec des batteries spécialement conçues à cet effet. L'utilisation de toutes autres batteries peut créer un risque de blessure et d'incendie. Utilisez uniquement la batterie LB60251 / LB6041 / LB6042 / LB6051 / LB6081 Greenworks ou d'autres séries BAC.
- Rechargez uniquement avec le chargeur spécifié par le fabricant. Un chargeur adapté à un type de bloc-batterie peut créer un risque d'incendie lorsqu'il est utilisé avec un autre bloc-batterie. Utilisez uniquement le chargeur CAC801 / CH60R00 / CH60DP01 / CHDPC10A Greenworks ou d'autres séries CAC.
- Lorsque le bloc-batterie n'est pas utilisé, éloignez-le des autres objets métalliques, comme les attaches trombones, pièces de monnaie, clés, clous, vis ou autres petits objets métalliques, qui peuvent établir une connexion entre deux bornes. Le court-circuitage des bornes de la batterie peut provoquer un incendie.
- Dans des conditions abusives, du liquide peut être éjecté de la batterie ; évitez tout contact. En cas de contact accidentel, rincez avec de l'eau. En cas de contact avec les yeux, consultez également un médecin. Le liquide s'échappant des batteries peut causer des irritations ou des brûlures.
- N'utilisez pas une batterie ou un appareil endommagé ou modifié. Les batteries endommagées ou modifiées peuvent présenter un fonctionnement imprévisible et provoquer un incendie, une explosion ou un risque de blessure.

- N'exposez pas une batterie ou un appareil à un feu ou à une température excessive. L'exposition au feu ou une température supérieure à 130 °C (265 °F) peut provoquer une explosion.
- Ne jetez pas les batteries au feu. Les cellules peuvent exploser. Consultez les règlements locaux pour connaître les instructions d'élimination spéciales.
- Ne tentez pas d'ouvrir ni d'abîmer la batterie. Les électrolytes rejetés sont corrosifs et peuvent causer des dommages aux yeux ou à la peau. L'électrolyte peut être toxique lorsqu'elle est avalée.
- Manipulez les batteries avec précaution afin de ne pas court-circuiter la batterie avec des matériaux conducteurs tels que les bagues, les bracelets et les clés. La batterie ou le conducteur peut surchauffer et provoquer des brûlures.
- Suivez toutes les instructions de recharge et ne rechargez pas le bloc-batterie ou l'appareil en dehors de la plage de température spécifiée dans ces instructions. Un rechargement incorrect ou à des températures en dehors de la plage spécifiée peut endommager la batterie et augmenter le risque d'incendie.
- Faites effectuer l'entretien par un réparateur qualifié en n'utilisant que des pièces de rechange identiques. Cela garantira le maintien de la sécurité du produit.
- Gardez les gardes protectrices en place et en bon état de fonctionnement.
- Gardez les mains et les pieds éloignés de la zone de coupe.
- Retirez la batterie de l'outil électrique avant d'effectuer des réglages, de changer des accessoires ou de ranger la machine. De telles mesures de sécurité préventives réduisent le risque d'un démarrage accidentel de la machine.
- Utilisez uniquement avec la ligne de coupe en nylon de 0.095" (2.4 mm) diamètre. N'utilisez pas de lignes plus lourdes que celles recommandées par le fabricant et d'autres types de lignes – par ex., du fil métallique, de la corde, etc.

CONSERVEZ CES INSTRUCTIONS

2.3 INSPECTION DES FONCTIONNALITÉS DE SÉCURITÉ

- Examinez la zone de travail pour identifier tout danger potentiel, comme un terrain irrégulier, des pentes, des rochers, des branches ou des fossés.
- Effectuez tous les travaux obligatoires d'inspection de sécurité, de maintenance et d'entretien spécifiés dans ce manuel.
- Vérifiez que tous les caches, protections, poignées et équipement de coupe sont bien fixés et intacts.
- Vérifiez l'état et les fissures sur l'accessoire de coupe et sa protection et remplacez si nécessaire.

2.3.1 VÉRIFICATION DU BOUTON DE VERROUILLAGE DE SÉCURITÉ ET DE LA GÂCHETTE

Le bouton de verrouillage de sécurité est conçu pour éviter tout fonctionnement accidentel. Voir l'**Aperçu du produit** pour localiser ces pièces sur votre produit.

1. Assurez-vous que la gâchette est verrouillée quand le bouton de verrouillage de sécurité n'est pas actionné.
2. Assurez-vous que la gâchette et le bouton de verrouillage de sécurité bougent librement et que le ressort de rappel fonctionne correctement.
3. Simultanément, poussez le bouton de verrouillage de sécurité et tirez sur la gâchette pour démarrer le produit.
4. Test en mode vitesse rapide
5. Relâchez la gâchette et assurez-vous que l'accessoire de coupe s'arrête complètement.

2.3.2 VÉRIFICATION DE LA PROTECTION D'ACCESSOIRE DE COUPE

La protection d'accessoire de coupe est un dispositif de sécurité crucial qui empêche les objets d'être projetés en direction de l'opérateur et évite les blessures de contact avec l'accessoire de coupe.

⚠ AVERTISSEMENT

N'UTILISEZ PAS UN ACCESSOIRE DE COUPE SANS UNE PROTECTION D'ACCESSOIRE DE COUPE AGRÉÉE ET CORRECTEMENT FIXÉE. UTILISEZ SYSTÉMATIQUEMENT LA PROTECTION D'ACCESSOIRE DE COUPE RECOMMANDÉE POUR L'ACCESSOIRE DE COUPE QUE VOUS EMPLOYEZ. L'USAGE D'UNE PROTECTION D'ACCESSOIRE DE COUPE INCORRECTE OU DÉFAILLANTE PEUT CAUSER DES BLESSURES GRAVES.

1. Arrêtez le produit et retirez la batterie.
2. Inspectez visuellement l'état, notamment les fissures.
3. Remplacez la protection d'accessoire de coupe si elle est endommagée.

3 SERVICE

L'entretien nécessite un soin extrême et une connaissance approfondie. Il doit être effectué uniquement par un technicien d'entretien qualifié. Consultez votre CENTRE D'ENTRETIEN AGRÉÉ le plus proche pour les réparations. Appelez 1-855-345-3934 pour obtenir l'adresse. Utilisez uniquement des accessoires et des pièces de rechange identiques du fabricant d'un CENTRE D'ENTRETIEN AGRÉÉ.

4 ASSEMBLAGE

Cette section décrit la méthode d'assemblage et de réglage du produit.

⚠ AVERTISSEMENT

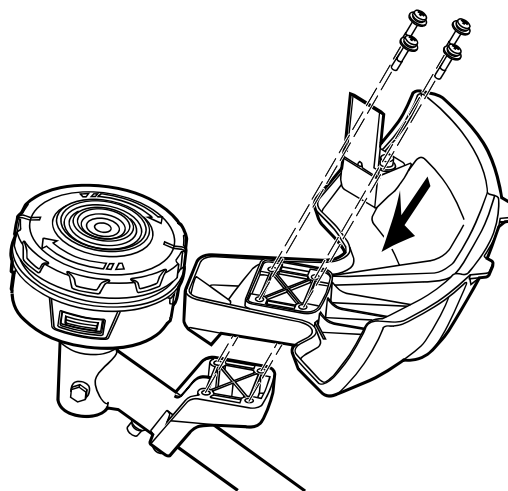
VOUS DEVEZ AVOIR LU ATTENTIVEMENT ET COMPRIS LE CHAPITRE SÉCURITÉ ET LES INSTRUCTIONS D'ASSEMBLAGE AVANT D'ASSEMBLER LE PRODUIT.

4.1 INSTALLATION DE LA PROTECTION DE COUPE-BORDURE

⚠ AVERTISSEMENT

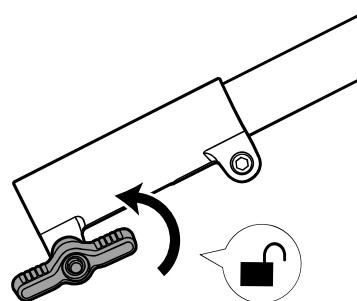
- LA LAME DE COUPE-FIL DOIT SYSTÉMATIQUEMENT ÊTRE ÉQUIPÉE DE LA PROTECTION DE COUPE-BORDURE AVANT L'UTILISATION DU PRODUIT.
- NE TOUCHEZ PAS LA LAME DE COUPE-FIL.

1. Retirez les vis de la protection de coupe-bordure à l'aide d'un tournevis cruciforme (non fourni).
2. Placez la protection de coupe-bordure sur l'arbre.
3. Serrez fermement les vis à l'aide d'un tournevis cruciforme.

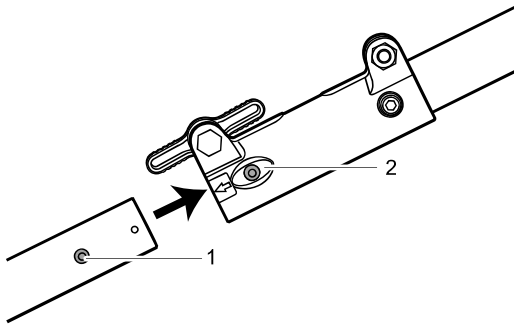


4.2 ASSEMBLEZ L'ARBRE

1. Desserrez le bouton sur le coupleur.



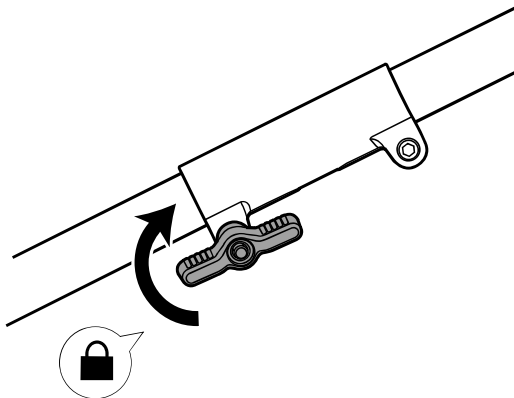
2. Enfoncez le bouton de déclenchement (1) sur l'arbre inférieur.
3. Alignez le bouton de déclenchement avec l'orifice de montage (2) et faites glisser les deux arbres ensemble.



ATTENTION

FAITES ATTENTION EN GLISSANT LES DEUX ARBRES ENSEMBLE POUR ÉVITER TOUT RISQUE DE PINCEMENT POUR VOS DOIGTS ET VOS MAINS.

4. Tournez l'arbre inférieur jusqu'à ce que le bouton se verrouille dans l'orifice de montage.
5. Serrez fermement la molette.



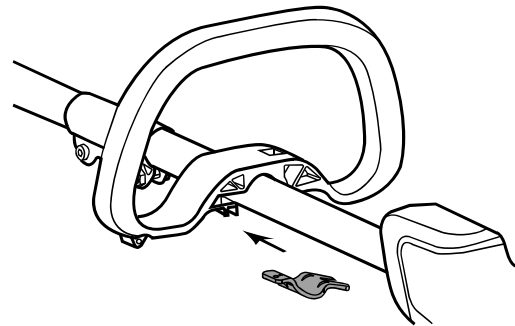
Note : Correctement assemblés, les arbres supérieur et inférieur ne peuvent pas être séparés en tirant.

AVERTISSEMENT

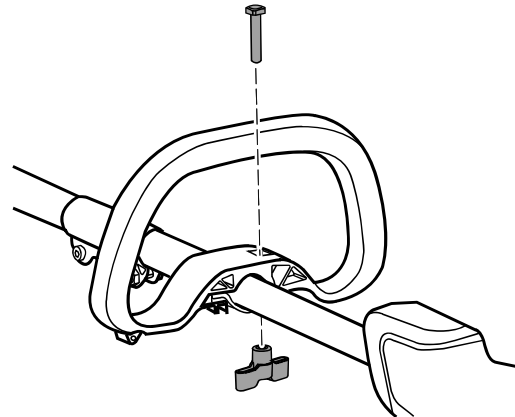
RESPECTEZ SOIGNEUSEMENT LES INSTRUCTIONS D'ASSEMBLAGE DÉCRITES PRÉCÉDEMMENT. À DÉFAUT, VOUS VOUS EXPOSEZ À UNE DÉSOLIDARISATION DU PRODUIT, ACCROISSANT LE RISQUE DE BLESSURE.

4.3 INSTALLEZ LA POIGNÉE AUXILIAIRE

1. Attachez la poignée auxiliaire à l'arbre.
2. Placez la fixation inférieure dans la fente sur la poignée auxiliaire.



3. Installez la vis et la molette. Ne serrez pas à fond.



4. Ajustez la poignée auxiliaire sur la position souhaitée.
5. Serrez fermement le boulon à ailettes.

5 UTILISATION

Cette section décrit le mode d'emploi du produit.

AVERTISSEMENT

VOUS DEVEZ AVOIR LU ATTENTIVEMENT ET COMPRIS LE CHAPITRE SÉCURITÉ ET LES INSTRUCTIONS D'UTILISATION AVANT D'UTILISER LE PRODUIT.

5.1 AVANT D'UTILISER LE PRODUIT

5.1.1 CONNECTER LE CHARGEUR DE BATTERIE

1. Connectez le chargeur de batterie à une source de tension et de fréquence appropriées, spécifiées sur la plaque signalétique.
2. Reportez-vous au manuel d'utilisation du chargeur de batterie pour obtenir des informations sur l'utilisation du chargeur de batterie.

5.1.2 RECHARGEZ LA BATTERIE

Référez-vous au Manuel opérateur du chargeur de batterie pour le mode d'emploi du chargeur de batterie.

5.1.3 RENSEIGNEMENTS SUR LA BATTERIE

FR

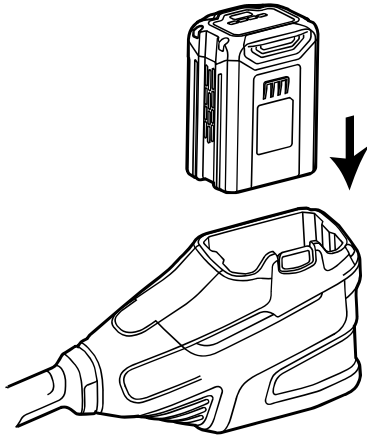
Référez-vous au Manuel opérateur de la batterie pour le mode d'emploi de la batterie.

5.1.4 CONNEXION DE LA BATTERIE AU PRODUIT

⚠ AVERTISSEMENT

UTILISEZ UNIQUEMENT UNE BATTERIE D'ORIGINE AVEC LE PRODUIT.

1. Assurez-vous que la batterie est complètement chargée.
2. Poussez la batterie dans son compartiment. La batterie se verrouille en position lorsque vous entendez un clic.



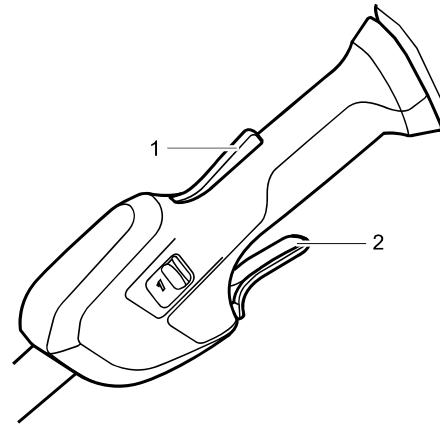
⚠ ATTENTION

SI LA BATTERIE NE S'AJUSTE PAS FACILEMENT DANS LE SUPPORT DE BATTERIE, IL EST POSSIBLE QU'ELLE SOIT MAL INSTALLÉE CE QUI RISQUE D'ENDOMMAGER LA BATTERIE OU LE PRODUIT.

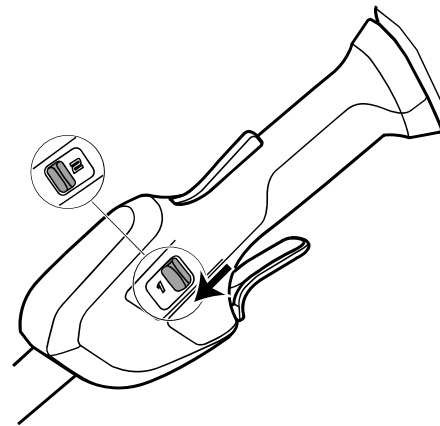
3. Assurez-vous que la batterie est installée en toute sécurité.

5.1.5 DÉMARRAGE DU PRODUIT

1. Simultanément, poussez le bouton de verrouillage de sécurité (1) et tirez sur la gâchette (2).



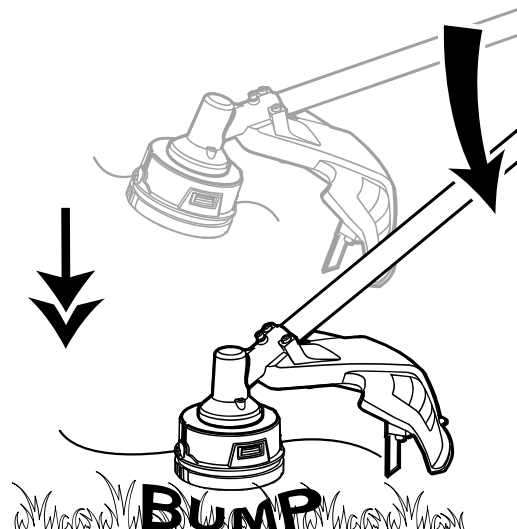
2. Ajustez la vitesse selon l'état de l'herbe en glissant l'interrupteur de vitesse.



5.2 UTILISATION DU PRODUIT

5.2.1 AJUSTEMENT DE LONGUEUR DE LIGNE DE COUPE

Dès que la ligne de coupe devient courte durant le fonctionnement, heurtez la tête de coupe sur une surface plane et dure pour sortir davantage de ligne de coupe. Il est recommandé d'utiliser le produit en mode haute vitesse pour les zones de travail denses.

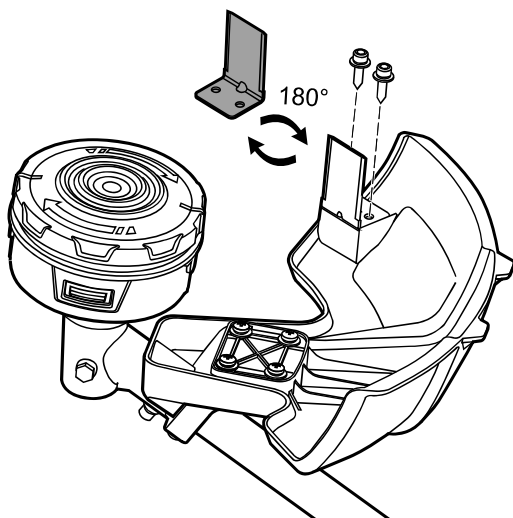


Ce coupe-bordure est équipé d'une lame de coupe-fil sur la protection de coupe-bordure. La lame de coupe-fil coupe en continu la ligne pour assurer un diamètre de coupe constant et efficace. Cela permettra de maintenir une meilleure performance et de garder la ligne assez longue pour couper correctement.

5.2.2 RÉGLEZ LE DIAMÈTRE DE COUPE

Note : Le diamètre de coupe du produit est réglé sur 14 in. (35.6 cm) mais peut être modifié sur 16 in. (40.6 cm) pour une zone de coupe plus large ou maintenu sur 14 in. (35.6 cm) pour une autonomie supérieure.

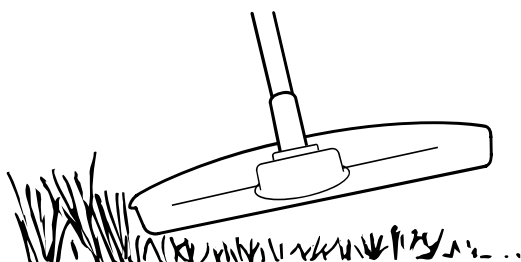
1. Commencez par retirer la batterie.
2. Desserrez les vis de lame fixant la lame de coupe-fil avec la clé hexagonale.
3. Tournez la lame de coupe-fil à 180°.
4. Serrez fermement les vis de lame.



5.2.3 TAILLE DE L'HERBE AVEC TÊTE DE COUPE

Taille de l'herbe

1. Tenez la tête de coupe inclinée au-dessus du sol. Ne poussez pas la ligne de coupe dans l'herbe.



2. Ralentez pour réduire le risque d'endommager les plantes.
3. Utilisez le mode basse vitesse pour couper l'herbe à proximité d'objets.

Débarrasser l'herbe

1. Maintenez la tête de coupe-dessus du sol.

2. Inclinez la tête de coupe.
3. Coupez avec l'extrémité de la ligne de coupe autour des objets dans la zone de travail.

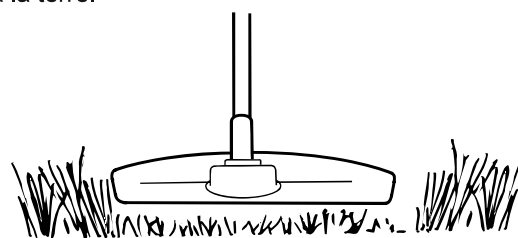
⚠ ATTENTION

LES AUTRES OBJETS TOUCHÉS PAR LA LIGNE DE COUPE AUGMENTENT L'USURE DE LA LIGNE DE COUPE.

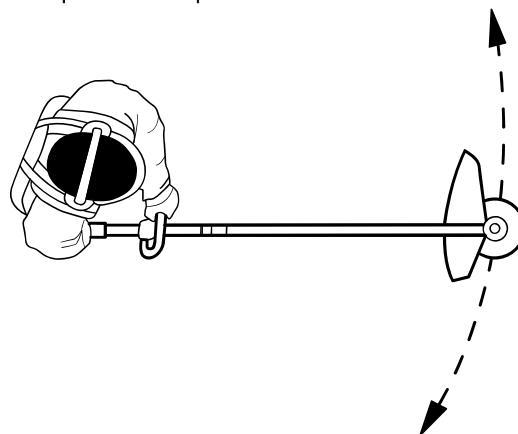
4. Utilisez le mode basse vitesse pour couper et dégager la végétation. Vous réduisez ainsi l'usure de la tête de coupe et de la ligne de coupe.

Couper l'herbe

1. Assurez-vous que la ligne de coupe est parallèle à la terre.



2. Ne poussez pas la tête de coupe dans la terre au risque d'endommager le produit.
3. Déplacez le produit d'un côté et de l'autre pour couper l'herbe. Utilisez le mode vitesse rapide pour optimiser les performances.



Balayer l'herbe

Le débit d'air de la ligne de coupe en rotation peut servir à débarrasser l'herbe coupée d'une zone.

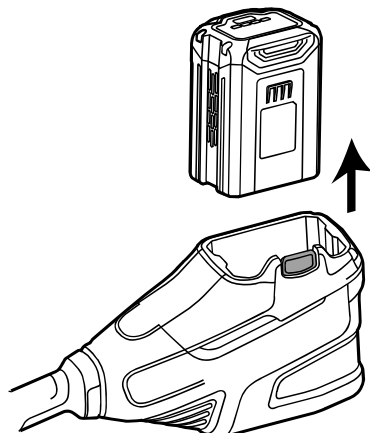
1. Tenez la tête de coupe et la ligne de coupe parallèles et au-dessus du sol.
2. Utilisez en mode vitesse rapide.
3. Déplacez la tête de coupe d'un côté et de l'autre pour balayer l'herbe.

5.3 ARRÊT DU PRODUIT

1. Relâchez la gâchette.

FR

- Appuyez sur le bouton de déverrouillage de batterie et retirez la batterie pour interrompre complètement le fonctionnement.



⚠ AVERTISSEMENT

ATTENDEZ QUE LE MOTEUR S'ARRÊTE AVANT DE RETIRER LA BATTERIE.

6 ENTRETIEN

Cette section décrit la maintenance de la batterie, du chargeur de batterie et du produit.

⚠ AVERTISSEMENT

VOUS DEVEZ AVOIR LU ATTENTIVEMENT ET COMPRIS LE CHAPITRE SÉCURITÉ ET LES INSTRUCTIONS D'UTILISATION AVANT TOUT TRAVAIL DE MAINTENANCE.

Avant d'effectuer la maintenance :

- Arrêtez le produit.
- Retirez la batterie.
- Laissez le moteur refroidir.
- Portez des vêtements, des gants de protection et des lunettes de sécurité appropriés.

6.1 EXAMINEZ LA BATTERIE ET LE CHARGEUR DE BATTERIE

Inspectez soigneusement la batterie, le chargeur de batterie et le cordon de connexion du chargeur de batterie pour détecter tout signe de dommage, des pièces fissurées ou cassées par exemple. Remplacez si nécessaire.

6.2 NETTOYAGE DU PRODUIT, DE LA BATTERIE ET DU CHARGEUR DE BATTERIE

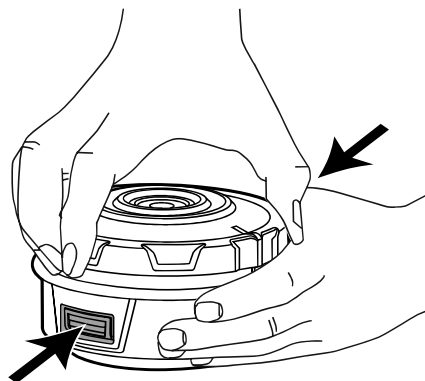
- Nettoyez le produit après chaque utilisation avec un chiffon humide trempé dans un détergent neutre.
- N'utilisez pas de détergents ou de solvants forts comme un « nettoyant pour vitres » pour nettoyer les pièces en plastique ou les poignées.

- Gardez la tête de coupe exempte d'herbe, de feuilles ou de graisse excessive.
- Maintenez les aérations propres et sans débris pour éviter une surchauffe et des dommages du moteur.
- Ne pulvérisez pas de l'eau sur le moteur et les composants électriques.
- Nettoyez la batterie et le chargeur de batterie avec un chiffon sec. Assurez la propreté des glissières de guidage de la batterie.
- Avant l'insertion de la batterie dans le chargeur de batterie, assurez-vous que les bornes de la batterie et du chargeur de batterie sont propres.

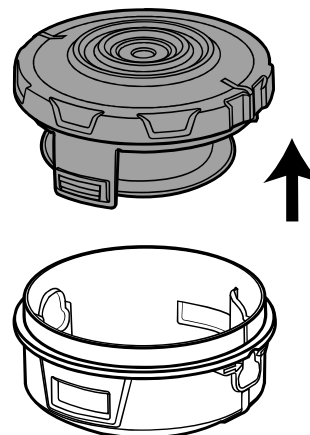
6.3 REMPLACEZ LA BOBINE

Note : Pour une utilisation normale, le démontage de la tête n'est pas nécessaire. Cependant, si les circonstances nécessitent un démontage, suivez ces instructions.

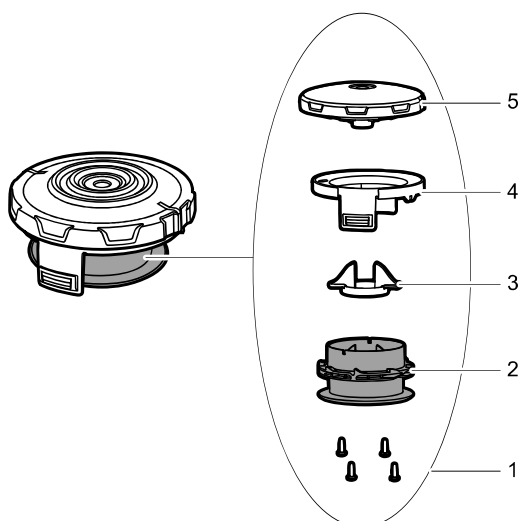
- Poussez simultanément les deux languettes sur les côtés de la tête de coupe.



- Tirez et retirez l'assemblage de couvercle de bobine.



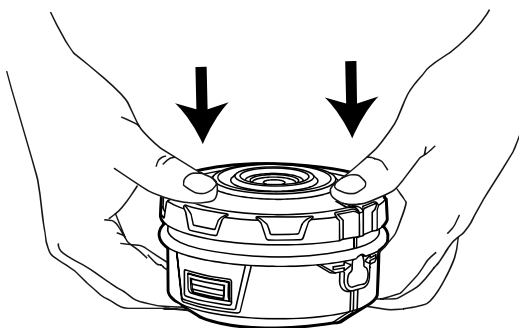
- Retirez la ligne de coupe restante et nettoyez soigneusement tout débris ou salissure de toutes les pièces.
- Retirez les vis (1), la bobine (2), le couvercle de fente (3) et le boîtier d'emplacement (4) du couvercle de bobine (5).



5. Installez une nouvelle bobine.

Note : Si des pièces de l'ensemble de bobine sont endommagées ou usées, remplacez-les et remontez-les comme illustré à l'étape 4.

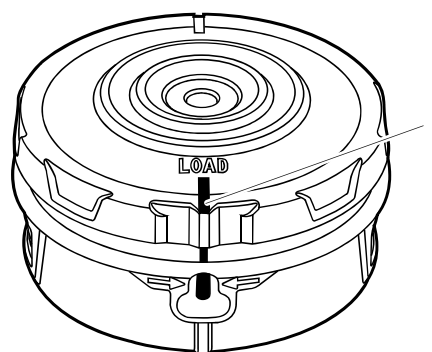
6. Placez le boîtier d'emplacement et le couvercle de fente sur le couvercle de bobine, puis placez la bobine sur le couvercle de fente dans la position souhaitée.
7. Serrez avec les vis.
8. Alignez les languettes de la bobine avec les ouvertures de languette sur le boîtier de bobine.
9. Poussez l'assemblage de couvercle de bobine jusqu'à ce qu'il clique en position.



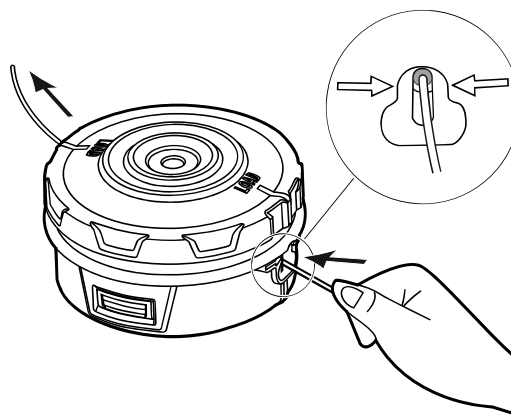
6.4 INSTALLEZ LA LIGNE DE COUPE

Note : N'utilisez pas plus de 23 ft. (7 m) de ligne de coupe 0.095" (2.4 mm) à la fois.

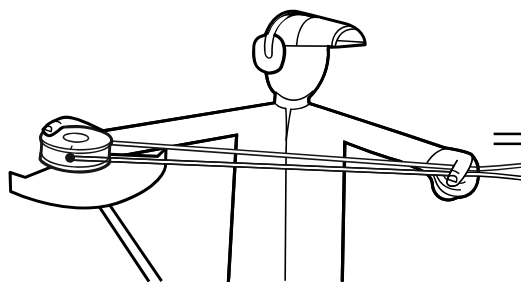
1. Retirez tout reliquat de ligne de coupe de la tête de coupe.
2. Poussez et tournez le couvercle de bobine. Alignez la fente (1) du couvercle de bobine avec l'orifice de sortie de ligne sur la tête de coupe.



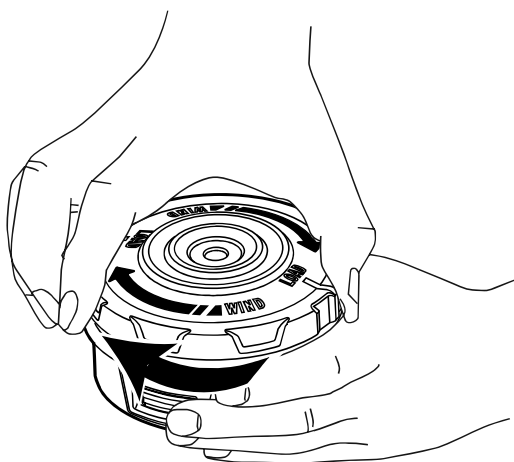
3. Alimentez la ligne de coupe à travers l'orifice et poussez-la jusqu'à ce qu'elle ressorte de l'orifice opposé.



4. Tirez la ligne de coupe jusqu'à ce qu'il y ait une longueur égale de ligne de coupe de chaque côté.



5. Tournez le couvercle de bobine dans le sens horaire pour enrouler la ligne de coupe dans la tête de coupe. Conservez environ 5" de ligne de coupe au-dessus de chaque côté de la tête de coupe.



7 TRANSPORT, ENTREPOSAGE ET MISE AU REBUT

7.1 TRANSPORT ET ENTREPOSAGE

- Respectez les exigences spéciales sur l'emballage et les étiquettes pour le transport commercial. Ce point concerne également les tiers et les agents transitaires.
- Recherchez le conseil d'une personne spécialement formée sur les substances dangereuses avant d'expédier le produit et respectez l'ensemble de la législation nationale applicable.
- Utilisez du ruban sur les contacts ouverts pour emballer la batterie et assurez-vous qu'elle est emballée en toute sécurité pour éviter tout mouvement.
- Retirez la batterie avant d'entreposer ou de transporter le produit.
- Entreposez la batterie et le chargeur de batterie dans un espace sec, sans humidité et à l'abri du gel.
- Évitez de ranger la batterie dans une zone exposée à l'électricité statique et ne la gardez pas dans une boîte métallique.
- Chargez la batterie à 30%-50% avant un entreposage à long terme.
- Entreposez le chargeur de batterie dans un espace fermé et sec.
- Maintenez la batterie à l'écart du chargeur de batterie durant l'entreposage et assurez-vous que les personnes sans autorisation, notamment les enfants, ne touchent pas l'équipement. Entreposez l'équipement dans un espace sous verrou.
- Nettoyez le produit et effectuez un entretien complet avant un entreposage à long terme.
- Utilisez les protections de transport sur le produit pour éviter les blessures et dommages durant le transport et l'entreposage.
- Rangez en toute sécurité le produit durant le transport pour assurer une manipulation sécurisée.

7.2 MISE AU REBUT DE LA BATTERIE, DU CHARGEUR DE BATTERIE ET DU PRODUIT

Les symboles sur le produit ou son emballage signifient que le produit n'est pas un déchet ménager. Recyclez-le auprès du point de recyclage destiné aux équipements électriques et électroniques. Vous contribuez ainsi à protéger l'environnement et les personnes.

Contactez vos autorités locales, le service de traitement des déchets ménagers ou votre revendeur pour en savoir plus sur la manière de recycler votre produit.

8 DÉPANNAGE

Problème	Cause possible	Solution
Le produit ne démarre pas lorsque vous tirez sur la gâchette.	Pas de contact électrique entre le produit et la batterie.	<ol style="list-style-type: none"> 1. Retirez la batterie. 2. Inspectez les contacts métalliques et remettez la batterie.
	La batterie est déchargée.	Rechargez le bloc-batterie.
	Le bouton de verrouillage de sécurité et la gâchette ne sont pas actionnés simultanément.	<ol style="list-style-type: none"> 1. Poussez le bouton de verrouillage de sécurité sans le relâcher. 2. Appuyez sur la gâchette pour démarrer le produit.
Le produit s'arrête pendant la coupe.	La garde protectrice n'est pas attachée sur la tête de coupe.	Retirez la batterie et installez la garde protectrice sur la tête de coupe.
	La ligne de coupe est trop lourde.	Utilisez uniquement avec la ligne de coupe en nylon de 0.095" (2.4 mm) diamètre.
	L'herbe s'est enchevêtrée autour de l'arbre du moteur ou de la tête de coupe.	<ol style="list-style-type: none"> 1. Arrêtez le produit. 2. Retirez la batterie. 3. Enlevez l'herbe de l'arbre du moteur et de la tête de coupe.

Problème	Cause possible	Solution	
	Le moteur est surchargé.	<ol style="list-style-type: none"> 1. Écartez la tête de coupe de la zone herbeuse. 2. Laissez le produit refroidir au moins 10 minutes. 3. Coupez par étapes et guidez la tête de coupe dans et hors de l'herbe en vous assurant de ne pas couper plus de 8" à chaque passage. 	
	La batterie ou le produit est trop chaud.	<ol style="list-style-type: none"> 1. Laissez le produit ou la batterie refroidir au moins 10 minutes. Retirez la batterie du produit pour aider le produit à refroidir plus rapidement. 	
	Le bloc-batterie est déconnecté du produit.	Réinstallez le la batterie.	
	La batterie est déchargée.	Rechargez le bloc-batterie.	
	La ligne de coupe ne s'allonge pas.	Les lignes sont emmêlées.	<ol style="list-style-type: none"> 1. Retirez les lignes emmêlées. 2. Rembobinez les lignes.
		Pas assez de lignes sur la bobine.	Installez plus de lignes.
Les lignes sont devenues trop courtes.		<ol style="list-style-type: none"> 1. Retirez la batterie. 2. Appuyez et maintenez la tête d'avance par coups. 3. Tirez manuellement sur les lignes. 	
Les lignes sont emmêlées sur la bobine.		<ol style="list-style-type: none"> 1. Retirez les lignes de la bobine. 2. Enroulez les lignes. 	

FR

Problème	Cause possible	Solution
La ligne de coupe ne cesse de se briser.	Le produit n'est pas utilisé correctement.	<ol style="list-style-type: none"> Coupez avec le bout de la ligne, évitez les pierres, les murs et autres objets durs. Avancez régulièrement la ligne de coupe pour conserver toute la largeur de coupe.
L'herbe s'est enchevêtrée autour de la tête de coupe et du boîtier du moteur.	L'herbe est trop haute.	<ol style="list-style-type: none"> Coupez par étapes. Ne coupez pas plus de 8" à chaque passage pour éviter tout enchevêtrement.
La ligne de coupe est mal coupée.	La lame de coupe-fil s'est émoussée.	Affûtez la lame de coupe-fil avec une lime ou remplacez-la.
Trop de vibrations.	La ligne est usée d'un côté et n'est pas avancée à temps.	Assurez-vous que la ligne des deux côtés est intacte. Allongez la ligne.
	La tête de coupe est usée.	Remplacez-la par une nouvelle tête de coupe.
	La ligne est épuisée.	Installez plus de lignes.

9 DONNÉES TECHNIQUES

Type	Sans fil, à batterie
Moteur	60V sans balais
Vitesse à vide	5500/6500 ± 10% tr/min
Diamètre de la ligne de coupe	0.095" (2.4 mm)
Largeur de coupe	14 in. / 16 in. (35.6 cm / 40.6 cm)
Système d'alimentation de ligne	Avance par coups

Modèle de batterie	LB60251 / LB6041 / LB6042 / LB6051 / LB6081 et autres séries BAC
Chargeur modèle	CAC801 / CH60R00 / CH60DP01 / CHDPC10A et autres séries CAC

La plage de température ambiante recommandée :

État	Température
Entreposage de produit	32°F (0°C) - 113°F (45°C)
Fonctionnement de produit	32°F (0°C) - 113°F (45°C)
Charge de batterie	39°F (4°C) - 104°F (40°C)
Fonctionnement de chargeur	39°F (4°C) - 104°F (40°C)
Entreposage de batterie	32°F (0°C) - 113°F (45°C)
Décharge de batterie	32°F (0°C) - 113°F (45°C)

10 GARANTIE LIMITÉE



Greenworks garantit par la présente ce produit, à l'acheteur original avec preuve d'achat, pour une période de quatre (4) ans contre tout défaut de matériaux, de pièces ou de main-d'œuvre. Greenworks, à sa propre discrétion, réparera ou remplacera toutes les pièces défectueuses, dans des conditions normales d'utilisation, sans frais pour le client. Cette garantie est valable uniquement pour les unités utilisées à des fins personnelles, qui n'ont pas été louées à des fins industrielles ou commerciales et qui ont été entretenues conformément aux instructions du manuel de l'opérateur fourni avec le produit neuf.

ARTICLES NON COUVERTS PAR LA GARANTIE :

- Toute pièce qui est devenue inopérante en raison d'une mauvaise utilisation, d'une utilisation commerciale, d'un abus, d'une négligence, d'un accident, d'un entretien inapproprié ou d'une modification; ou

2. L'unité si elle n'a pas été utilisée ou entretenue conformément au manuel de l'opérateur ; ou
3. Usure normale;
4. Articles d'entretien courant tels que lubrifiants, affûtage des lames;
5. Détérioration normale du fini extérieur due à l'utilisation ou à l'exposition.

ASSISTANCE TÉLÉPHONIQUE :

Le service de garantie est disponible en appelant notre ligne d'assistance téléphonique sans frais, au 1-855-345-3934.

FRAIS DE TRANSPORT :

Les frais de transport pour le déplacement de tout équipement motorisé ou accessoire sont à la charge de l'acheteur. Il incombe à l'acheteur de payer les frais de transport pour toute pièce retournée pour remplacement en vertu de la présente garantie, à moins qu'un tel retour soit demandé par écrit par Greenworks.

Adresse aux États-Unis :

Greenworks Tools

P.O. Box 1238, Mooresville, NC 28115

Adresse au Canada :

Greenworks Tools Canada Inc.

P.O. Box 93095, Newmarket, Ontario, L3Y 8K3

Adresse au Mexique :

TECNOLOGIA CAMPO Y JARDIN S.A. DE C.V.

ADMINISTRADORES No. 5336 A, COL. ARCOS DE GUADALUPE, ZAPOPAN, JALISCO, C.P. 45037

1	Introducción.....	31	5.2	Manejo del producto.....	36
1.1	Descripción del producto.....	31	5.3	Parada del producto.....	37
1.2	Uso previsto.....	31	6	Mantenimiento.....	38
1.3	Perspectiva general del producto.....	31	6.1	Examine la batería y el cargador de batería.....	38
1.4	Símbolos en la máquina.....	31	6.2	Limpieza del producto, la batería y el cargador de baterías..	38
1.5	Propuesta 65 de California.....	32	6.3	Sustitución del carrete.....	38
2	Seguridad.....	32	6.4	Instalación del hilo de corte.....	39
2.1	Definiciones de seguridad.....	32	7	Transporte, almacenamiento y eliminación.....	40
2.2	Instrucciones importantes de seguridad.....	32	7.1	Transporte y almacenamiento.....	40
2.3	Inspección de las funciones de seguridad.....	33	7.2	Eliminación de la batería, el cargador de batería y el producto.....	40
3	Servicio.....	34	8	Solución de problemas.....	41
4	Montaje.....	34	9	Datos técnicos.....	42
4.1	Instalación de la protección de corte.....	34	10	Garantía limitada.....	42
4.2	Montaje del eje.....	34			
4.3	Instalación del asa auxiliar.....	35			
5	Funcionamiento.....	35			
5.1	Antes de utilizar el producto.....	35			

1 INTRODUCCIÓN

1.1 DESCRIPCIÓN DEL PRODUCTO

Este producto es un cortabordes con funcionamiento a batería que dispone de un motor eléctrico.

Nos comprometemos a mejorar continuamente nuestros productos y nos reservamos el derecho a modificar el diseño y el aspecto sin previo aviso.

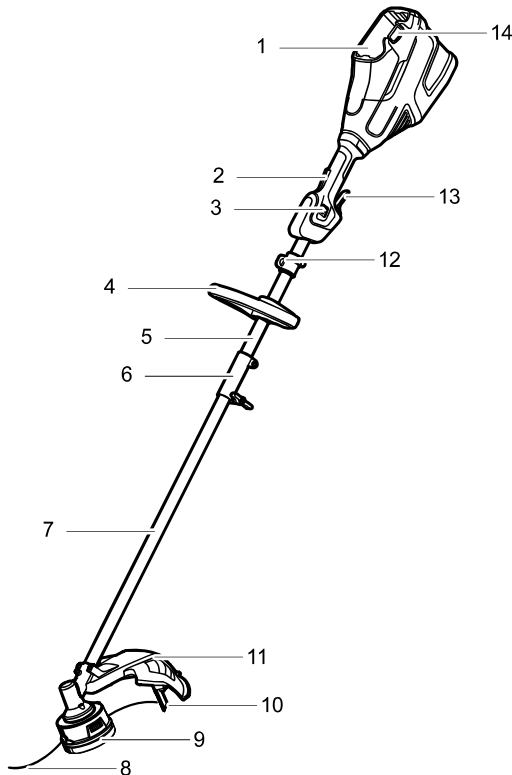
1.2 USO PREVISTO

Este producto se ha diseñado para cortar, recortar y despejar distintos tipos de vegetación utilizando el cabezal de corte. No debe utilizarse para ninguna otra tarea.

Tenga en cuenta que los reglamentos nacionales o locales pueden regular la utilización del producto. Es importante cumplir todos los reglamentos indicados.

Utilice siempre accesorios que hayan sido aprobados por el fabricante con este producto.

1.3 PERSPECTIVA GENERAL DEL PRODUCTO



- 1 Compartimento de la batería
- 2 Botón de bloqueo de seguridad
- 3 Interruptor de velocidad
- 4 Asa auxiliar
- 5 Eje superior
- 6 Acoplamiento
- 7 Eje inferior

- 8 Hilo de corte
- 9 Cabezal de corte
- 10 Cuchilla de corte de hilo
- 11 Protección de corte
- 12 Soporte de correa
- 13 Gatillo
- 14 Botón de desbloqueo de la batería

1.4 SÍMBOLOS EN LA MÁQUINA

En esta máquina pueden utilizarse algunos de los siguientes símbolos. Le rogamos que los estudie y aprenda sus definiciones. La interpretación correcta de estos símbolos le permitirá manejar la herramienta mejor y de manera más segura.

Símbolo	Explicación
V	Tensión
A	Corriente
Hz	Frecuencia (ciclos por segundo)
W	Potencia
min	Tiempo
/min	Revoluciones, carreras, velocidad de superficie, órbitas, etc., por minuto
≡	Corriente continua
	Precauciones que afectan a su seguridad.
	Debe leer y entender todas las instrucciones antes de manejar la máquina, así como seguir todas las advertencias e instrucciones de seguridad.
	Lleve siempre gafas de seguridad con protectores laterales marcada para cumplir la ANSI Z87.1 cuando utilice esta máquina.
	No exponga la máquina a la lluvia o a condiciones de humedad.
	Mantenga a todos los transeúntes al menos a 15 m (50 pies).
	No instale ni utilice ningún tipo de cuchilla en la máquina o que muestre este símbolo.
	Los objetos proyectados pueden rebotar y provocar lesiones personales o daños materiales.

1.5 PROPUESTA 65 DE CALIFORNIA

⚠ AVISO

ESTE PRODUCTO CONTIENE O EMITE UNA SUSTANCIA QUÍMICA CONOCIDA EN EL ESTADO DE CALIFORNIA COMO CAUSANTE DE CÁNCER O DEFECTOS DE NACIMIENTO U OTROS DAÑOS REPRODUCTIVOS.

ES

2 SEGURIDAD

2.1 DEFINICIONES DE SEGURIDAD

Las advertencias, precauciones y notas se utilizan para señalar partes especialmente importantes del manual.

⚠ AVISO

EXISTE UN RIESGO DE LESIONES O MUERTE PARA EL OPERARIO O PARA OTRAS PERSONAS SI NO SE RESPETAN LAS INSTRUCCIONES DEL MANUAL.

⚠ PRECAUCIÓN

EXISTE UN RIESGO DE DAÑOS AL PRODUCTO, OTROS DAÑOS MATERIALES O EN LA ZONA ADYACENTE SI NO SE RESPETAN LAS INSTRUCCIONES DEL MANUAL.

Nota: Se utiliza para ofrecer más información de la necesaria en una situación determinada.

2.2 INSTRUCCIONES IMPORTANTES DE SEGURIDAD

LEA TODAS LAS INSTRUCCIONES ANTES DEL USO (DE ESTA HERRAMIENTA ELÉCTRICA)

⚠ AVISO

DEBE LEER Y COMPRENDER TODAS LAS INSTRUCCIONES ANTES DE UTILIZAR ESTE PRODUCTO. EL INCUMPLIMIENTO DE LAS INSTRUCCIONES INDICADAS A CONTINUACIÓN PUEDE PROVOCAR DESCARGAS ELÉCTRICAS, INCENDIOS O LESIONES PERSONALES GRAVES.

- Utilice únicamente accesorios y piezas de repuesto del fabricante. El uso de cualquier otra pieza puede generar un riesgo o producir daños en el producto.
- Lleve siempre gafas de seguridad con protectores laterales marcadas para cumplir la ANSI Z87.1. Las gafas normales solo tienen lentes resistentes a impactos. NO son gafas de seguridad. Si sigue esta regla reducirá el riesgo de lesiones oculares.

Utilice una máscara facial si trabaja en espacios polvorientos.

- Evite los entornos peligrosos – No exponga las herramientas eléctricas a condiciones de humedad. Si penetra agua en una herramienta eléctrica, aumentará el riesgo de descarga eléctrica.
- No utilice bajo la lluvia.
- Mantenga a todos los transeúntes, niños y mascotas al menos a una distancia mínima de 15 m (50 ft).
- Vestirse adecuadamente – No lleve ropa ni joyas sueltas. Pueden resultar atrapadas por las piezas en movimiento. Se recomienda el uso de guantes y calzado de protección cuando se trabaje en el exterior. Lleve una protección capilar para sujetar el cabello largo.
- Utilice el aparato adecuado. No utilice el aparato para trabajos distintos del previsto.
- Evite la puesta en marcha accidental – Evite mantener el dedo en el interruptor de encendido cuando la unidad tenga la batería insertada y no esté en uso. El transporte de la unidad con el dedo en el interruptor cuando la batería está insertada aumenta la probabilidad de accidentes.
- No fuerce el aparato – Hará el trabajo mejor y con menos probabilidades de sufrir lesiones a la velocidad para la que se diseñó.
- No se estire – Mantenga en todo momento una postura adecuada y el equilibrio.
- Permanezca atento – Observe lo que está haciendo. Utilice el sentido común. No utilice esta unidad cuando esté cansado, enfermo o bajo la influencia de alcohol, drogas o medicamentos.
- Almacene siempre las herramientas eléctricas inactivas en interior – Cuando no estén en uso, las herramientas eléctricas deben almacenarse en interior, en un lugar seco, fuera del alcance de los niños.
- La máquina no debe ser utilizada por personas (niños incluidos) con una discapacidad física, sensorial o mental, o que no tengan experiencia ni conocimientos, a menos que hayan recibido supervisión o instrucción sobre el uso de la máquina por una persona responsable de su seguridad. Supervise siempre a los niños para asegurarse de que no jueguen con la máquina.
- Mantenga el aparato con cuidado – Sustituya el cabezal de hilo si está agrietado, astillado o dañado de alguna manera. Asegúrese de que el cabezal de hilo esté correctamente instalado y bien fijado. Mantenga el filo afilado y limpio para un mejor rendimiento y para reducir el riesgo de lesiones. Siga las instrucciones para la lubricación y el cambio de accesorios. Inspeccione periódicamente el cable del aparato, y si está dañado, haga que lo repare un centro de servicio técnico autorizado. Inspeccione periódicamente los cables alargadores y sustitúyalos si están dañados. Mantenga las asas

secas, limpias y sin restos de aceite y grasa. De no hacerlo podrían producirse lesiones graves.

- Compruebe las piezas dañadas antes de utilizar el aparato, una protección u otra pieza dañada debe comprobarse detenidamente para determinar si funcionará correctamente y cumplirá su función prevista. Compruebe la alineación de las piezas móviles, la unión de las partes móviles, la rotura de piezas, los montajes dañados y cualquier otra condición que pueda afectar a su funcionamiento. Una protección u otra pieza que esté dañada debe ser reparada o sustituida debidamente por un centro de servicio autorizado, a menos que se indique lo contrario en este manual.
- Retire o desconecte la batería antes de realizar tareas de servicio, limpiar o retirar material del aparato de jardinería.
- No modifique ni intente reparar el aparato o la batería (según corresponda), excepto lo indicado en las instrucciones de uso y cuidado. Utilice los aparatos únicamente con las baterías designadas específicamente. El uso de cualquier otra batería puede dar lugar a un riesgo de lesiones e incendio. Utilice únicamente con la batería Greenworks LB60251 / LB6041 / LB6042 / LB6051 / LB6081 u otra serie BAC.
- Recargue solo con el cargador especificado por el fabricante. Un cargador adecuado para un tipo de batería crear a un riesgo de incendio cuando se utiliza con otro tipo de batería. Utilice únicamente con el cargador Greenworks CAC801 / CH60R00 / CH60DP01 / CHDPC10A u otra serie CAC.
- Cuando la batería no esté en uso, manténgala alejada de otros objetos metálicos como clips, monedas, llaves, clavos, tornillos u otros objetos metálicos pequeños que puedan hacer una conexión entre los terminales. El cortocircuito de los terminales de la batería puede provocar un incendio.
- Bajo condiciones abusivas, es posible que salga líquido de la batería; evite el contacto. En caso de un contacto accidental, lavar con abundante agua. Si el líquido entra en contacto con los ojos, busque también atención médica. El líquido de la batería puede provocar irritación o quemaduras.
- No utilice una batería o un aparato que haya sufrido daños o modificaciones. Las baterías dañadas o modificadas pueden exhibir un comportamiento impredecible que puede causar un incendio, una explosión o un riesgo de lesiones.
- No exponga una batería o un aparato al fuego ni a temperaturas excesivas. La exposición al fuego o a una temperatura superior a 130 °C (265 °F) puede provocar una explosión.
- No deseche las baterías en el fuego. Las celdas pueden explotar. Contacte a las autoridades locales para informarse sobre las posibles instrucciones del desecho.

- No abra ni destruya las baterías. El electrolito liberado es corrosivo y puede producir daños a los ojos o la piel. Puede ser tóxico si se traga.
- Tenga cuidado con el manejo de las baterías para no cortocircuitarlas con materiales conductores como anillos, pulseras y llaves. La batería o el conductor puede sobrecalentarse y producir quemaduras.
- Siga todas las instrucciones de carga y no cargue la batería o el aparato fuera del intervalo de temperatura especificado en las instrucciones. La carga incorrecta o a temperaturas fuera del intervalo especificado puede dañar la batería y aumentar el riesgo de incendio.
- Solicite a un técnico de reparación cualificado que realice las tareas de servicio utilizando únicamente piezas de repuesto idénticas. Esto garantizará el mantenimiento de la seguridad del producto.
- Mantenga las protecciones en su posición y en estado de funcionamiento.
- Mantenga las manos y los pies alejados de la zona de corte.
- Desconecte la batería del aparato antes de realizar ajustes, cambiar accesorios o almacenarlo. Estas medidas de seguridad preventivas reducen el riesgo de que el aparato se ponga en marcha accidentalmente.
- Utilice únicamente con el hilo de corte de nailon de 0.095" (2.4 mm) de diámetro. No utilice hilos más fuertes de lo recomendado por el fabricante ni materiales de hilo de otros tipos – por ejemplo, alambre, cuerda y similar.

CONSERVE ESTAS INSTRUCCIONES

2.3 INSPECCIÓN DE LAS FUNCIONES DE SEGURIDAD

- Examine la superficie de trabajo para identificar posibles peligros, como terreno irregular, pendientes, rocas, ramas o zanjas.
- Realice todas las inspecciones de seguridad, el mantenimiento y las tareas de servicio necesarias tal y como se especifica en este manual.
- Compruebe que todas las cubiertas, protecciones, asas y equipos de corte están correctamente fijados y no presenten daños.
- Compruebe si el accesorio de corte y la protección del accesorio de corte presentan daños o grietas y sustitúyalos si es necesario.

2.3.1 COMPROBACIÓN DEL BOTÓN DE BLOQUEO DE SEGURIDAD Y EL GATILLO

El botón de bloqueo de seguridad se ha diseñado para evitar el funcionamiento accidental. *Consulte **Perspectiva general del producto** para encontrar la posición de estas piezas en su producto.*

1. Asegúrese de que el gatillo esté bloqueado cuando el botón de bloqueo de seguridad no esté pulsado.
2. Asegúrese de que el gatillo y el botón de bloqueo de seguridad se muevan libremente y el muelle de retorno funcione correctamente.
3. Presione simultáneamente el botón de bloqueo de seguridad y el gatillo para poner en marcha el producto.
4. Haga una prueba en el modo de alta velocidad.
5. Suelte el gatillo y asegúrese de que el accesorio de corte se detenga por completo.

2.3.2 COMPROBACIÓN DE LA PROTECCIÓN DEL ACCESORIO DE CORTE

La protección del accesorio de corte es un dispositivo de seguridad crucial que impide la proyección de objetos hacia el operario y evita lesiones si se toca el accesorio de corte.

⚠ AVISO

NO UTILICE UN ACCESORIO DE CORTE SIN UNA PROTECCIÓN PARA ACCESORIOS DE CORTE APROBADA Y CORRECTAMENTE INSTALADA. UTILICE SIEMPRE LA PROTECCIÓN RECOMENDADA PARA EL ACCESORIO DE CORTE QUE VAYA A UTILIZAR. EL USO DE UNA PROTECCIÓN PARA ACCESORIOS DE CORTE INCORRECTA O DEFECTUOSA PUEDE PROVOCAR LESIONES PERSONALES GRAVES.

1. Detenga el producto y retire la batería.
2. Realice una inspección visual de daños, como grietas.
3. Sustituya la protección del accesorio de corte si presenta daños.

3 SERVICIO

Las tareas de servicio exigen un cuidado extremo, así como conocimientos, y debe realizarlas únicamente un técnico de servicio cualificado. Consulte al CENTRO DE SERVICIO AUTORIZADO más cercano para su reparación. Llame al 1-855-345-3934 para obtener la dirección. Utilice únicamente piezas de repuesto y accesorios idénticos a los del fabricante y procedentes del CENTRO DE SERVICIO AUTORIZADO.

4 MONTAJE

Esta sección describe cómo montar y ajustar el producto.

⚠ AVISO

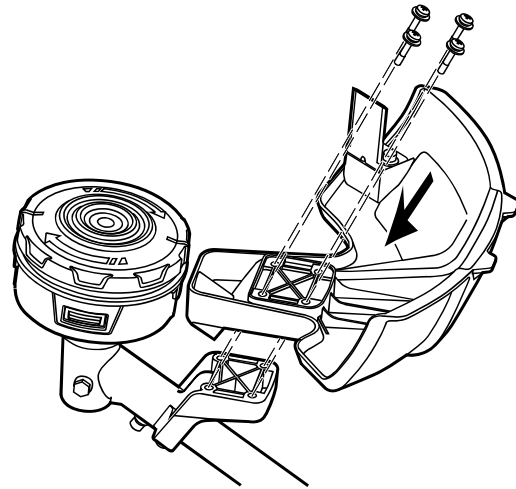
DEBE LEER DETENIDAMENTE Y ENTENDER EL CAPÍTULO DE SEGURIDAD Y LAS INSTRUCCIONES DE MONTAJE ANTES DE MONTAR EL PRODUCTO.

4.1 INSTALACIÓN DE LA PROTECCIÓN DE CORTE

⚠ AVISO

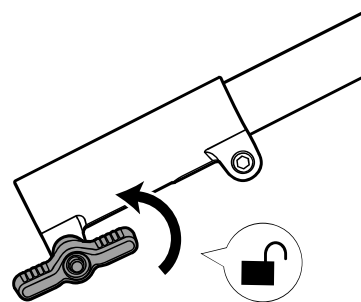
- LA CUCHILLA DE CORTE DEL HILO DEBE ESTAR SIEMPRE EQUIPADA EN LA PROTECCIÓN DE CORTE ANTES DE UTILIZAR EL PRODUCTO.
- NO TOQUE LA CUCHILLA DE CORTE DE HILO.

1. Retire los tornillos de la protección de corte con un destornillador Phillips (no incluido).
2. Coloque la protección de corte en el eje.
3. Apriete firmemente los tornillos con un destornillador Phillips.

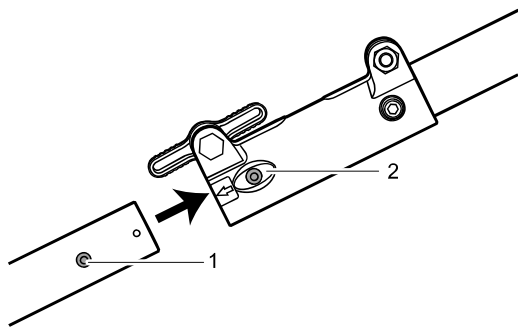


4.2 MONTAJE DEL EJE

1. Afloje el mando del acoplamiento.



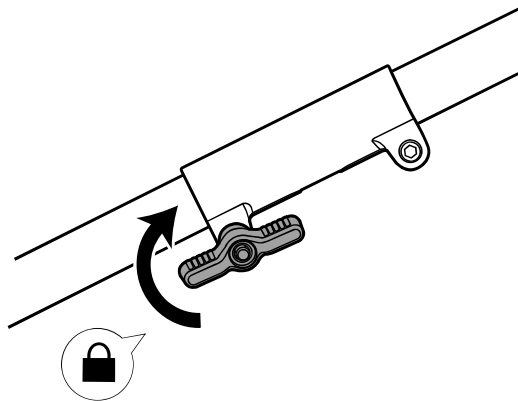
2. Pulse el botón de desbloqueo (1) del eje inferior.
3. Alinee el botón de desbloqueo con el orificio de montaje (2) y deslice los dos ejes uno dentro del otro.



⚠ PRECAUCIÓN

TENGA CUIDADO AL DESLIZAR LOS DOS EJES UNO DENTRO DEL OTRO PARA EVITAR EL RIESGO DE PELLIZCARSE LAS MANOS O LOS DEDOS.

4. Gire el eje inferior hasta que el botón se bloquee en el orificio de montaje.
5. Apriete firmemente el mando.



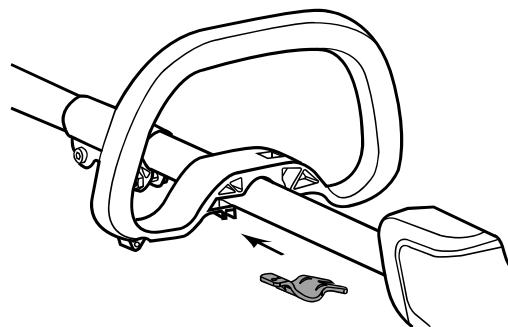
Nota: Cuando están correctamente montados, los ejes superior e inferior no deben separarse al tirar de ellos.

⚠ AVISO

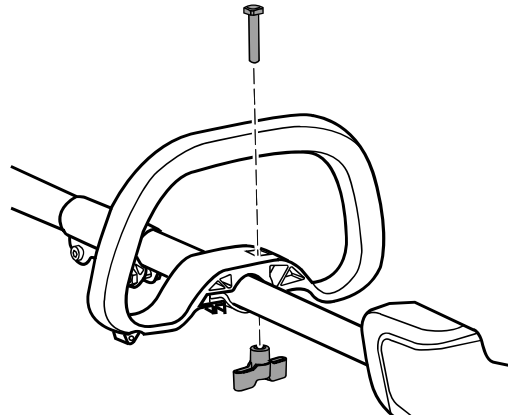
SIGA DETENIDAMENTE LAS INSTRUCCIONES DE MONTAJE DESCRITAS ANTERIORMENTE. SI NO LO HACE, EL PRODUCTO PUEDE SEPARARSE, LO QUE AUMENTA EL RIESGO DE LESIONES PERSONALES.

4.3 INSTALACIÓN DEL ASA AUXILIAR

1. Fije el asa auxiliar en el eje.
2. Coloque la abrazadera inferior en la ranura del asa auxiliar.



3. Instale el tornillo y el mando. No apriete del todo.



4. Ajuste el asa auxiliar en la posición deseada.
5. Apriete firmemente el perno de mariposa.

5 FUNCIONAMIENTO

Esta sección describe el funcionamiento del producto.

⚠ AVISO

DEBE LEER DETENIDAMENTE Y ENTENDER EL CAPÍTULO DE SEGURIDAD Y LAS INSTRUCCIONES DE FUNCIONAMIENTO ANTES DE UTILIZAR EL PRODUCTO.

5.1 ANTES DE UTILIZAR EL PRODUCTO

5.1.1 CONEXIÓN DEL CARGADOR BATERÍA

1. Conecte el cargador de batería al voltaje y la frecuencia adecuada que se especifica en la placa de características.
2. Consulte el Manual del operador del cargador de batería para obtener información sobre cómo usar el cargador de batería.

5.1.2 CARGA DE LA BATERÍA

Consulte el manual del operario del cargador de batería para obtener información sobre su uso.

5.1.3 INFORMACIÓN DE LA BATERÍA

Consulte el manual del operario de la batería para obtener información sobre su uso.

5.1.4 CONEXIÓN DE LA BATERÍA AL PRODUCTO

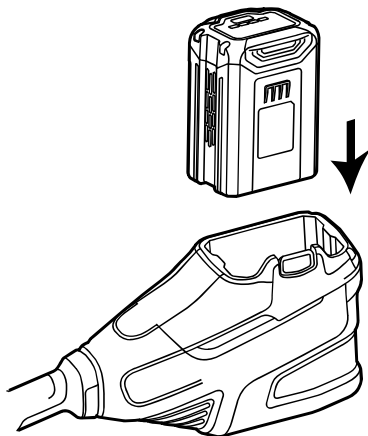


AVISO

UTILICE ÚNICAMENTE LA BATERÍA ORIGINAL CON EL PRODUCTO.

ES

1. Asegúrese de que la batería esté totalmente cargada.
2. Empuje la batería para introducirla en el compartimento de la batería. La batería se bloquea en su posición cuando se oye un clic.



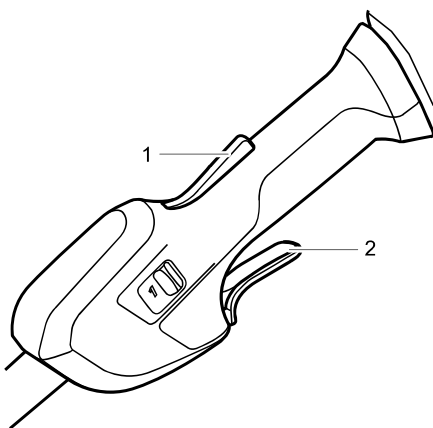
PRECAUCIÓN

SI LA BATERÍA NO ENCAJA FÁCILMENTE EN EL PORTABATERÍA, ES POSIBLE QUE NO SE HAYA INSTALADO CORRECTAMENTE, LO QUE PUEDE OCASIONAR DAÑOS A LA BATERÍA O AL PRODUCTO.

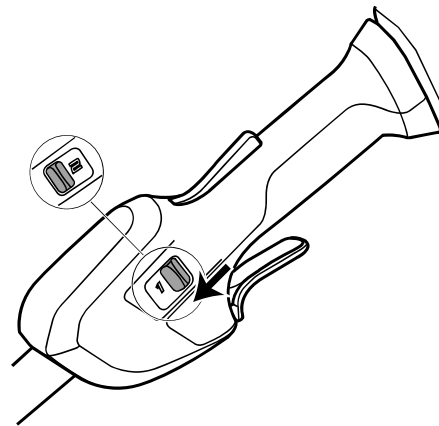
3. Asegúrese de que la batería esté bien instalada.

5.1.5 ARRANQUE DEL PRODUCTO

1. Simultáneamente, pulse el botón de bloqueo de seguridad (1) y apriete el gatillo (2).



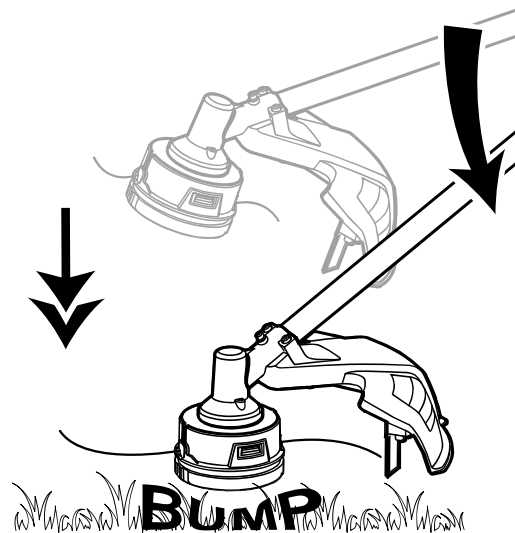
2. Ajuste la velocidad según el estado de la hierba deslizando el interruptor de velocidad.



5.2 MANEJO DEL PRODUCTO

5.2.1 AJUSTE DE LA LONGITUD DEL HILO DE CORTE

Cuando el hilo de corte se acorte durante el funcionamiento, golpee el cabezal de corte contra una superficie dura y plana para extender más hilo de corte. Se recomienda utilizar el producto en modo de alta velocidad para zonas de trabajo densas.



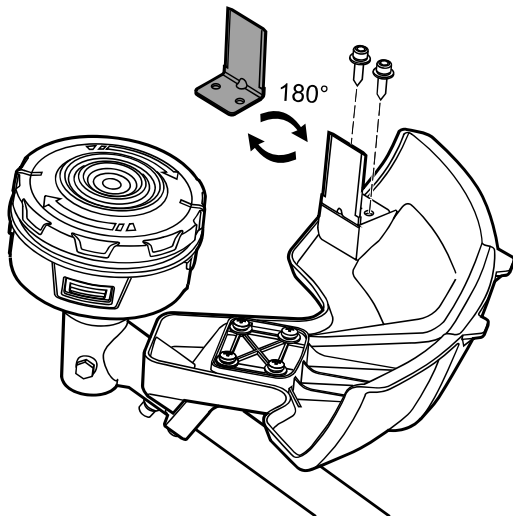
Este cortabordes está equipado con una cuchilla de corte de hilo en la protección de corte. La cuchilla de corte de hilo recorta continuamente el hilo para garantizar un diámetro de corte uniforme y eficaz. Esto mantendrá el mejor rendimiento y mantendrá el hilo el tiempo suficiente para avanzar adecuadamente.

5.2.2 AJUSTE DEL DIÁMETRO DE CORTE

Nota: El diámetro de corte del producto se ha ajustado a 14 in. (35.6 cm), pero puede modificarse a 16 in. (40.6 cm) para una zona de corte de mayor tamaño o mantenerse en 14 in. (35.6 cm) para un tiempo de funcionamiento más prolongado.

1. En primer lugar, empiece retirando la batería.

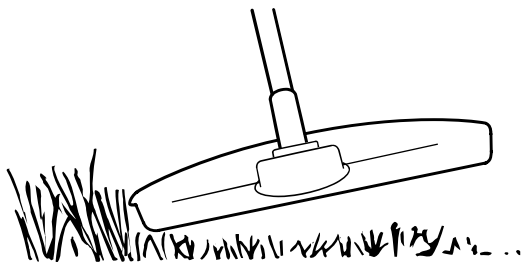
- Desenrosque los tornillos de la cuchilla que fijan la cuchilla de corte de hilo con la llave hexagonal.
- Gire la cuchilla de corte de hilo 180°.
- Apriete firmemente los tornillos de la cuchilla.



5.2.3 RECORTE DE HIERBA CON UN CABEZAL DE CORTE

Recortar hierba

- Sujete el cabezal de corte por encima del suelo en ángulo. No introduzca el hilo de corte en la hierba.



- Reduzca la velocidad para disminuir el riesgo de dañar las plantas.
- Utilice el modo de baja velocidad cuando corte hierba cerca de objetos.

Despejar hierba

- Mantenga el cabezal de corte por encima del suelo.
- Incline el cabezal de corte.
- Corte con el extremo del hilo de corte alrededor de objetos en la superficie de trabajo.

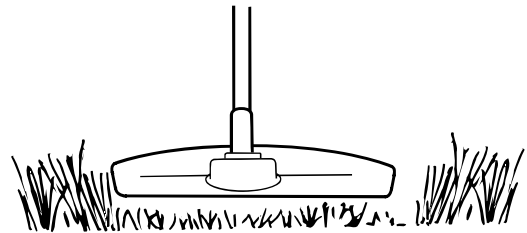
PRECAUCIÓN

SI OTROS OBJETOS RESULTAN GOLPEADOS POR EL HILO DE CORTE, AUMENTARÁ EL DESGASTE DEL MISMO.

- Utilice el modo de baja velocidad al cortar y despejar la vegetación. Esto disminuye el desgaste del cabezal de corte y del hilo de corte.

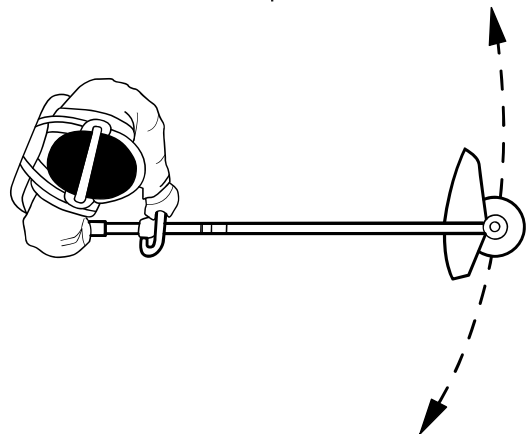
Cortar hierba

- Asegúrese de que el hilo de corte esté paralelo al suelo.



ES

- No empuje el cabezal de corte hacia el suelo, ya que podría dañar el producto.
- Mueva el producto de un lado a otro cuando corte la hierba. Utilice el modo de alta velocidad para obtener un rendimiento óptimo.



Barrer la hierba

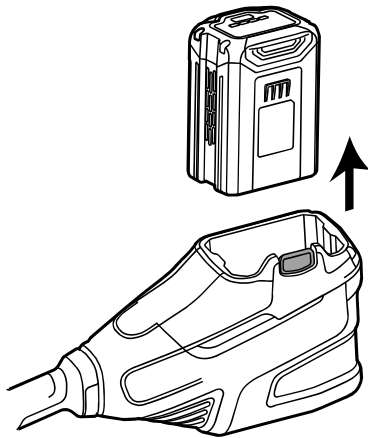
El flujo de aire del hilo de corte giratorio puede utilizarse para retirar la hierba cortada de una zona.

- Mantenga el cabezal de corte y el hilo de corte paralelos al suelo y por encima de este.
- Utilice el modo de alta velocidad.
- Mueva el cabezal de corte de un lado a otro para barrer la hierba.

5.3 PARADA DEL PRODUCTO

- Suelte el gatillo.
- Pulse el botón de desbloqueo de la batería y saque la batería para detener por completo el funcionamiento.

ES



⚠ AVISO

ESPERE HASTA QUE EL MOTOR SE DETENGA TRAS RETIRAR LA BATERÍA.

6 MANTENIMIENTO

Esta sección describe cómo realizar el mantenimiento de la batería, el cargador de baterías y el producto.

⚠ AVISO

DEBE LEER DETENIDAMENTE Y ENTENDER EL CAPÍTULO DE SEGURIDAD Y LAS INSTRUCCIONES DE FUNCIONAMIENTO ANTES DE REALIZAR TRABAJOS DE MANTENIMIENTO.

Antes de realizar el mantenimiento:

- Detenga el producto.
- Retire la batería.
- Deje que el motor se enfríe.
- Utilice ropa adecuada, guantes protectores y gafas de seguridad.

6.1 EXAMINE LA BATERÍA Y EL CARGADOR DE BATERÍA.

Inspeccione cuidadosamente la batería, el cargador de batería y el cable de conexión del cargador de batería para detectar indicios de daño, como grietas o piezas rotas. Sustituir si es necesario.

6.2 LIMPIEZA DEL PRODUCTO, LA BATERÍA Y EL CARGADOR DE BATERÍAS

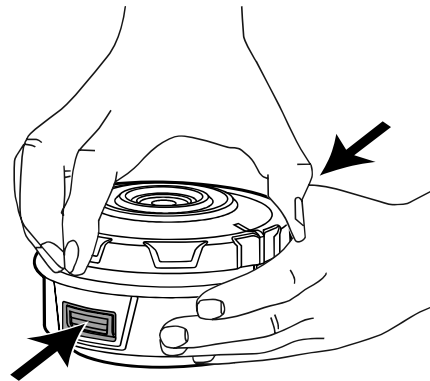
- Limpie el producto después de cada uso con un paño humedecido en detergente neutro.
- No utilice detergentes o disolventes fuertes como "limpiacristales" para limpiar las piezas de plástico o las asas.
- Mantenga el cabezal de corte libre de hierba, hojas o grasa excesiva.

- Mantenga los respiraderos limpios y libres de residuos para evitar el sobrecalentamiento y daños en el motor.
- No pulverice agua sobre el motor ni los componentes eléctricos.
- Limpie la batería y el cargador de baterías con un paño seco. Mantenga limpios los carriles de guía de la batería.
- Antes de insertar la batería en el cargador de baterías, asegúrese de que los terminales tanto de la batería como del cargador estén limpios.

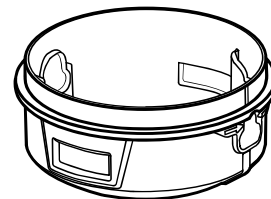
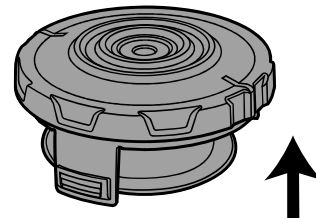
6.3 SUSTITUCIÓN DEL CARRETE

Nota: Para un uso normal, el desmontaje del cabezal no es necesario. No obstante, si las circunstancias requieren el desmontaje, siga estas instrucciones.

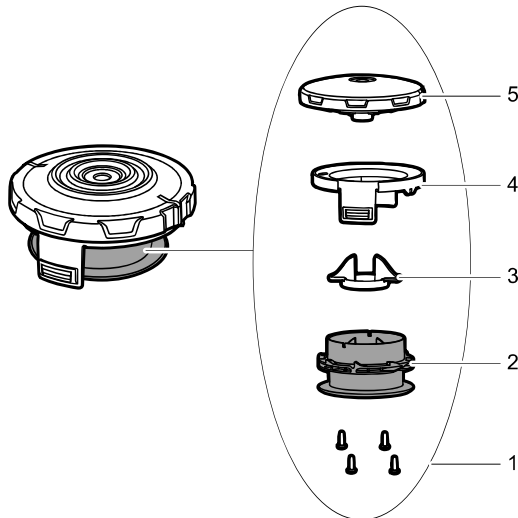
1. Presione las dos pestañas de los laterales del cabezal de corte al mismo tiempo.



2. Tire para retirar el conjunto de la cubierta del carrete.



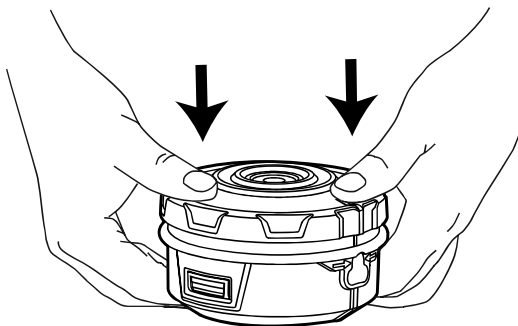
3. Retire el hilo de corte restante y limpie a fondo cualquier suciedad o residuo de todas las piezas.
4. Retire los tornillos (1), el carrete (2), la cubierta de la ranura (3) y la carcasa de ubicación (4) de la cubierta del carrete (5).



5. Sustituya por un carrete nuevo.

Nota: Si alguna pieza del conjunto del carrete está dañada o desgastada, sustituya la pieza dañada y vuelva a montarla como se muestra en el paso 4.

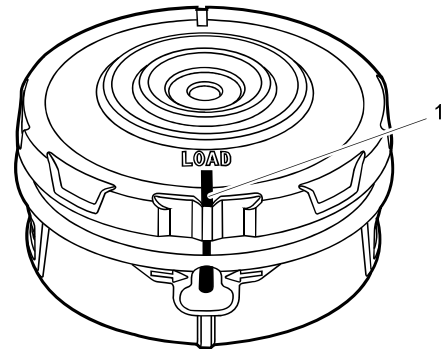
6. Coloque la carcasa de ubicación y la cubierta de la ranura en la cubierta del carrete, a continuación, coloque el carrete sobre la cubierta de la ranura en la posición deseada.
7. Apriete con los tornillos.
8. Alinee las pestañas del carrete con las aberturas de las pestañas en la carcasa del carrete.
9. Empuje el conjunto de la cubierta del carrete hasta que encaje en su posición.



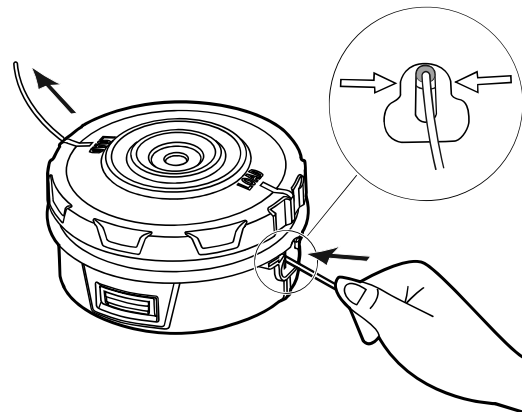
6.4 INSTALACIÓN DEL HILO DE CORTE

Nota: No utilice más de 23 ft. (7 m) de 0.095" (2.4 mm) de hilo de corte cada vez.

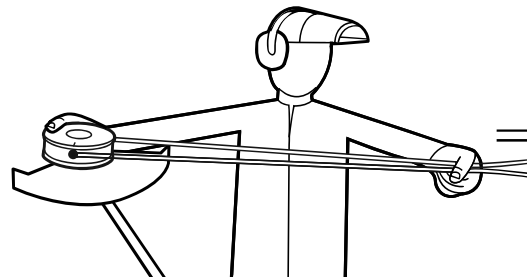
1. Retire el hilo de corte sobrante del cabezal de corte.
2. Empuje y gire la cubierta del carrete. Asegúrese de que la ranura (1) de la cubierta del carrete se alinee con el orificio de salida de hilo del cabezal de corte.



3. Introduzca el hilo de corte por el orificio y empújelo hasta que salga por el orificio opuesto.

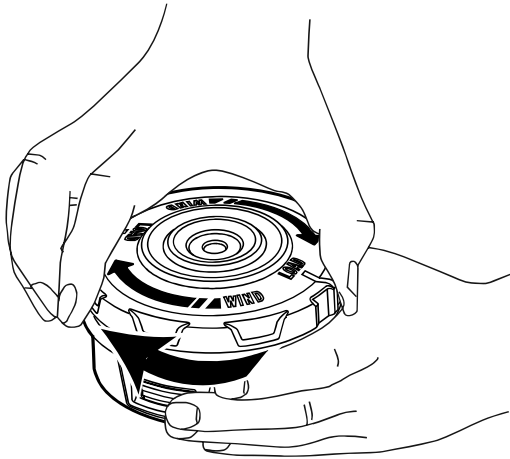


4. Tire del hilo de corte hasta que haya una cantidad igual de hilo de corte a cada lado.



5. Gire la cubierta del carrete en sentido horario para enrollar el hilo de corte en el cabezal de corte. Mantenga aproximadamente 12,5 cm (5") de hilo de corte por encima de cada lado del cabezal de corte.

ES



7 TRANSPORTE, ALMACENAMIENTO Y ELIMINACIÓN

7.1 TRANSPORTE Y ALMACENAMIENTO

- Siga los requisitos especiales de embalaje y etiquetado para el transporte comercial, incluso por parte de terceros y agentes de transporte.
- Pida consejo a una persona con formación especial en materiales peligrosos antes de enviar el producto y cumpla todos los reglamentos nacionales aplicables.
- Utilice cinta adhesiva en los contactos abiertos cuando embale la batería y asegúrese de que esté bien embalada para evitar que se mueva.
- Retire la batería antes de almacenar o transportar el producto.
- Almacene la batería y el cargador de baterías en un lugar seco, sin humedad y donde no haya heladas.
- Evite almacenar la batería en una zona donde pueda producirse electricidad estática y no la almacene en una caja metálica.
- Cargue la batería entre el 30% y el 50% antes del almacenamiento a largo plazo.
- Almacene el cargador de baterías en un espacio cerrado y seco.
- Mantenga la batería alejada del cargador de baterías durante el almacenamiento y asegúrese de que las personas no autorizadas, incluidos los niños, no toquen el equipo. Almacene el equipo en un lugar que pueda cerrarse con llave.
- Limpie el producto y realice una revisión completa antes del almacenamiento a largo plazo.
- Utilice protecciones de transporte en el producto para evitar lesiones o daños durante el transporte y el almacenamiento.
- Almacene bien el producto durante el transporte para garantizar una manipulación segura.

7.2 ELIMINACIÓN DE LA BATERÍA, EL CARGADOR DE BATERÍA Y EL PRODUCTO

Los símbolos en el producto o en el embalaje del producto significan que el producto no es un desecho doméstico. Recíclalo en un centro de reciclaje de aparatos eléctricos y electrónicos. Esto ayuda a evitar daños al medio ambiente y las personas.

Póngase en contacto con las autoridades locales, el servicio de recogida de desechos domésticos o su distribuidor para obtener más información sobre cómo reciclar el producto.

8 SOLUCIÓN DE PROBLEMAS

Problema	Posible causa	Solución
El producto no se pone en marcha cuando aprieta el gatillo.	No hay contacto eléctrico entre el producto y la batería.	<ol style="list-style-type: none"> 1. Retire la batería. 2. Inspeccione los contactos metálicos y vuelva a insertar la batería.
	La batería se ha agotado.	Cargue la batería.
	El botón de bloqueo de seguridad y el gatillo no se accionan al mismo tiempo.	<ol style="list-style-type: none"> 1. Pulse el botón de bloqueo de seguridad y manténgalo. 2. Apriete el gatillo para poner en marcha el producto.
El producto se detiene cuando corta.	La protección no está fijada al cabezal de corte.	Retire la batería y fije la protección al cabezal de corte.
	El hilo de corte pesa demasiado.	Utilice únicamente con el hilo de corte de nailon de 0.095" (2.4 mm) de diámetro.
	La hierba se enrolla alrededor del eje del motor o del cabezal de corte.	<ol style="list-style-type: none"> 1. Detener el producto. 2. Retire la batería. 3. Retire la hierba del eje del motor y del cabezal de corte.
	El motor se ha sobrecargado.	<ol style="list-style-type: none"> 1. Aleje el cabezal de corte de la zona de césped. 2. Deje que el producto se enfríe durante al menos 10 minutos. 3. Corte por etapas y guíe el cabezal de corte dentro y fuera de la hierba, asegurándose de no cortar más de 20 cm (8") por pasada.

Problema	Posible causa	Solución
	La batería o el producto está demasiado caliente.	<ol style="list-style-type: none"> 1. Deje que la batería y el producto se enfríe durante al menos 10 minutos. Retire la batería del producto para que este se enfríe más rápidamente.
	La batería se ha desconectado del producto.	Instale de nuevo la batería.
	La batería se ha agotado.	Cargue la batería.
El hilo de corte no se extiende.	Los hilos están interbloqueados.	<ol style="list-style-type: none"> 1. Retire los hilos interbloqueados. 2. Rebobine los hilos.
	No hay suficiente hilo en el carrete.	Instale más hilo.
	Los hilos se desgastan y son demasiado cortos.	<ol style="list-style-type: none"> 1. Retire la batería. 2. Pulse y mantenga pulsado el cabezal de sacudida. 3. Saque los hilos manualmente.
	Los hilos están enredados en el carrete.	<ol style="list-style-type: none"> 1. Retire los hilos del carrete. 2. Enrolle los hilos.
El hilo de corte se rompe continuamente.	El producto se está utilizando incorrectamente.	<ol style="list-style-type: none"> 1. Corte con la punta del hilo, evite piedras, paredes y otros objetos duros. 2. Avance el hilo de corte periódicamente para mantener el ancho de corte completo.
La hierba se enrolla alrededor del cabezal de corte y de la carcasa.	Hierba demasiado alta.	<ol style="list-style-type: none"> 1. Corte en fases. 2. No corte más de 20 cm (8") en cada pasada para evitar enredos.

Problema	Posible causa	Solución
sa del motor.		
El hilo de corte se corta de forma incorrecta.	La cuchilla de corte de hilo se ha desafilado.	Afile la cuchilla de corte de hilo con una lima o sustitúyala.
Demasiada vibración.	El hilo está gastado en un lado y no se ha avanzado a tiempo.	Asegúrese de que el hilo a ambos lados no esté dañado. Extienda el hilo.
	El cabezal de corte está desgastado.	Sustituya por un nuevo cabezal de corte.
	Se ha agotado el hilo.	Instale más hilo.

9 DATOS TÉCNICOS

Tipo	Inalámbrico, con funcionamiento a batería
Motor	60V Sin escobillas
Velocidad sin carga	5500/6500 ± 10% RPM
Diámetro de hilo de corte	0.095" (2.4 mm)
Anchura de corte	14 in. / 16 in. (35.6 cm / 40.6 cm)
Sistema de alimentación de hilo	Avance por sacudida
Modelo de batería	LB60251 / LB6041 / LB6042 / LB6051 / LB6081 y otras series BAC
Modelo de cargador	CAC801 / CH60R00 / CH60DP01 / CHDPC10A y otras series CAC

El intervalo de temperatura ambiente recomendado:

Estado	Temperatura
Almacenamiento del producto	0°C (32°F) - 45°C (113°F)

Estado	Temperatura
Funcionamiento del producto	0°C (32°F) - 45°C (113°F)
Carga de la batería	4°C (39°F) - 40°C (104°F)
Funcionamiento del cargador	4°C (39°F) - 40°C (104°F)
Almacenamiento de la batería	0°C (32°F) - 45°C (113°F)
Descarga de la batería	0°C (32°F) - 45°C (113°F)

10 GARANTÍA LIMITADA



Por la presente Greenworks garantiza este producto, al comprador original con el comprobante de compra, durante un periodo de cuatro (4) años frente a defectos en materiales, piezas o mano de obra. A su entera discreción Greenworks reparará o sustituirá cualquiera y todas las piezas que resulten ser defectuosas, con un uso normal, sin coste alguno para el cliente. Esta garantía es válida únicamente para unidades que se hayan utilizado para uso personal que no han sido arrendadas o alquiladas para uso industrial/comercial y cuyo mantenimiento se ha realizado de acuerdo con las instrucciones del manual del operario suministrado con el producto nuevo.

ARTÍCULOS NO CUBIERTOS POR LA GARANTÍA:

1. Cualquier pieza que no funcione debido a mal uso, uso comercial, abuso, negligencia, accidente, mantenimiento inadecuado o alteración; o
2. La unidad, si no ha sido utilizada o mantenida de acuerdo con el manual del operario; o
3. Desgaste normal;
4. Artículos de mantenimiento de rutina tales como lubricantes, afilado de cuchillas;
5. Deterioro normal del acabado exterior debido al uso o la exposición.

LÍNEA DE ASISTENCIA TELEFÓNICA:

Puede contactar con el servicio de garantía llamando a nuestra línea de asistencia telefónica gratuita, a 1-855-345-3934.

COSTES DE TRANSPORTE:

Los costes de transporte por el desplazamiento de cualquier unidad o accesorio de equipos eléctricos son responsabilidad del comprador. Es responsabilidad del comprador pagar los costes de transporte de cualquier pieza enviada para su sustitución bajo esta garantía, a menos que dicha devolución sea solicitada por escrito por Greenworks.

Dirección en EE.UU.:

Greenworks Tools

P.O. Box 1238, Mooresville, NC 28115

Dirección en Canadá:

Greenworks Tools Canada, Inc.

P.O. Box 93095, Newmarket, Ontario, L3Y 8K3

Dirección en México:

TECNOLOGIA CAMPO Y JARDIN S.A. DE C.V.

ADMINISTRADORES No. 5336 A, COL. ARCOS DE GUADALUPE, ZAPOPAN , JALISCO , C.P. 45037

greenworks[®]

www.greenworkstools.com

