

greenworks[®]

HT60L02
HT60L212

EN

HEDGE TRIMMER

OPERATOR MANUAL

FR

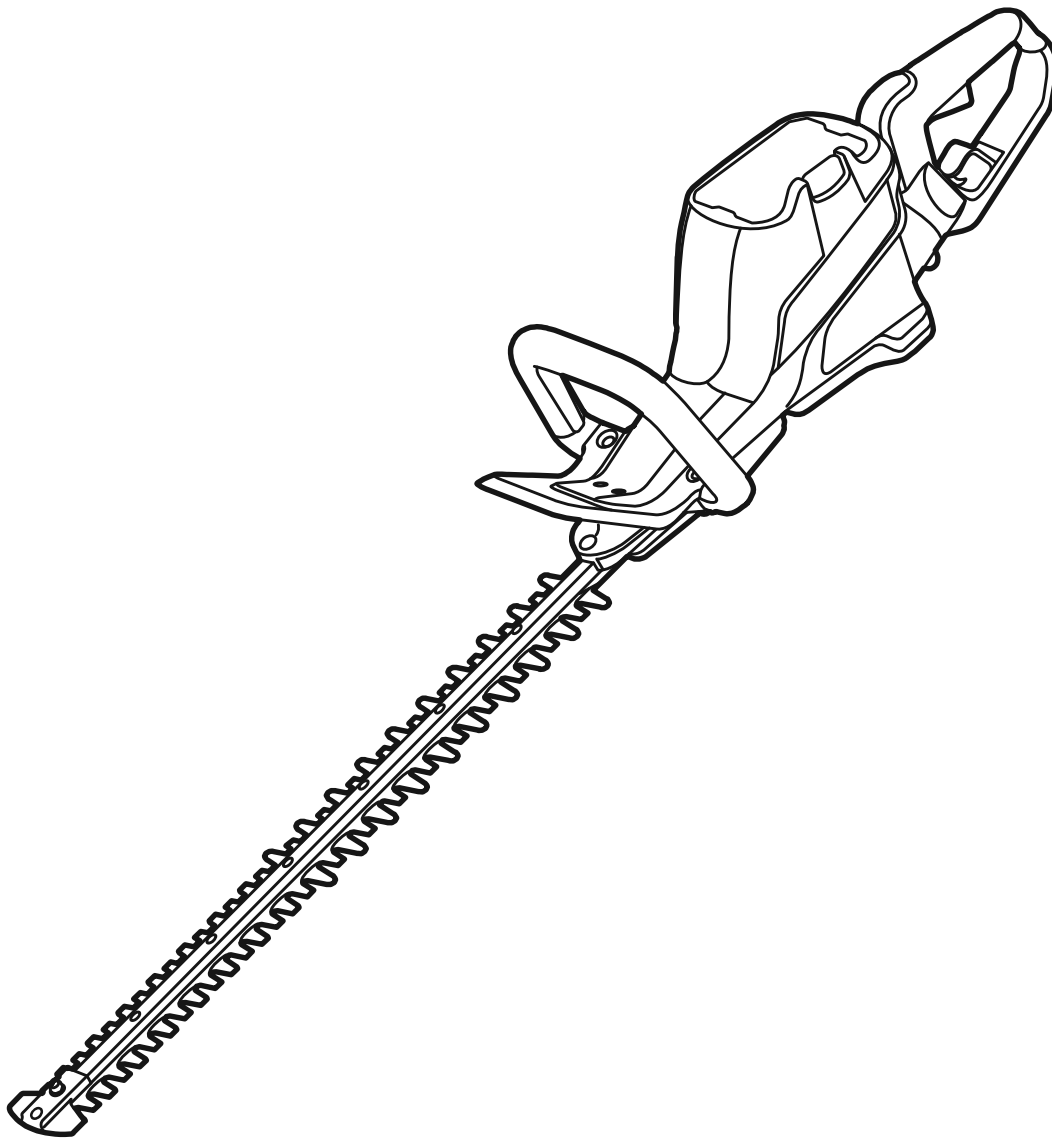
TAILLE-HAIE

MANUEL D'OPÉRATEUR

ES

CORTADOR DE SETOS

MANUAL DEL OPERADOR



HTC40001

www.greenworkstools.com

1	Introduction.....	4	4.1	Maintenance schedule.....	9
1.1	Product description.....	4	4.2	Examine the blades.....	9
1.2	Intended use.....	4	4.3	Clean and lubricate the blades.....	10
1.3	Product overview.....	4	4.4	Examine the battery and the battery charger.....	10
1.4	Symbols on the product.....	4	4.5	Clean the product.....	10
1.5	California Proposition 65.....	4	4.6	Clean the battery and battery charger.....	10
2	Safety.....	4	5	Transportation, storage and disposal.....	11
2.1	Safety definitions.....	4	5.1	Transportation.....	11
2.2	General product Safety Warnings.....	5	5.2	Storage.....	11
3	Operation.....	6	5.3	Disposal of the battery, battery charger, and product.....	11
3.1	Before you use the product.....	7	6	Troubleshooting.....	12
3.2	Start the product.....	7	7	Technical data.....	13
3.3	Operate the product.....	7	8	Limited warranty.....	13
3.4	Rotate the rear handle.....	8			
3.5	Stop the product.....	8			
4	Maintenance.....	9			

1 INTRODUCTION

1.1 PRODUCT DESCRIPTION

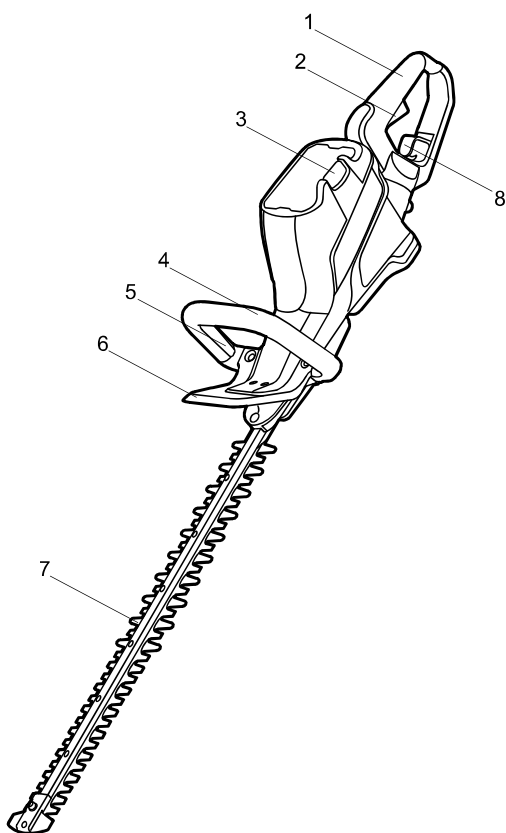
This product is a battery-operated hedge trimmer with an electric motor.

We are committed to continuously improving our products, and reserve the right to modify the design and appearance without prior notice.

1.2 INTENDED USE

Use the product to cut branches and twigs. Do not use the product for other tasks.

1.3 PRODUCT OVERVIEW



- | | |
|------------------------------|-------------------------|
| 1 Rear handle | 6 Guard |
| 2 Trigger | 7 Blades |
| 3 Battery release button | 8 Handle rotation latch |
| 4 Front handle | |
| 5 Front handle safety switch | |

1.4 SYMBOLS ON THE PRODUCT

Symbol	Explanation
	Important safety precautions.

Symbol	Explanation
	To reduce the risk of injury, user must read instruction manual.
	Wear eye and ear protection.
	Do not expose to rain.
	Keep hands away from blade.

1.5 CALIFORNIA PROPOSITION 65

⚠ WARNING

THIS PRODUCT CONTAINS OR EMITS A CHEMICAL KNOWN TO THE STATE OF CALIFORNIA TO CAUSE CANCER OR BIRTH DEFECTS OR OTHER REPRODUCTIVE HARM.

2 SAFETY

2.1 SAFETY DEFINITIONS

Warnings, cautions, and notes are used to point out especially important parts of the manual.

⚠ WARNING

THERE IS A RISK OF INJURY OR DEATH FOR THE OPERATOR OR BYSTANDERS IF THE INSTRUCTIONS IN THE MANUAL ARE NOT OBEYED.

⚠ CAUTION

THERE IS A RISK OF DAMAGE TO THE PRODUCT, OTHER MATERIALS, OR THE ADJACENT AREA, IF THE INSTRUCTIONS IN THE MANUAL ARE NOT OBEYED.

Note: Used to give more information that is necessary in a given situation.

2.2 GENERAL PRODUCT SAFETY WARNINGS

WARNING

Read all safety warnings, instructions, illustrations and specifications provided with this product. Failure to follow all instructions listed below may result in electric shock, fire and/or serious injury.

Save all warnings and instructions for future reference.

The term "product" in the warnings refers to your mains-operated (corded) product or battery-operated (cordless) product.

2.2.1 WORK AREA SAFETY

- **Keep work area clean and well lit.** Cluttered or dark areas invite accidents.
- **Do not operate products in explosive atmospheres, such as in the presence of flammable liquids, gases or dust.** Products create sparks which may ignite the dust or fumes.
- **Keep children and bystanders away while operating a product.** Distractions can cause you to lose control.

2.2.2 ELECTRICAL SAFETY

- **Product plugs must match the outlet. Never modify the plug in any way. Do not use any adapter plugs with earthed (grounded) products.** Unmodified plugs and matching outlets will reduce risk of electric shock.
- **Avoid body contact with earthed or grounded surfaces, such as pipes, radiators, ranges and refrigerators.** There is an increased risk of electric shock if your body is earthed or grounded.
- **Do not expose products to rain or wet conditions.** Water entering a product will increase the risk of electric shock.
- **Do not abuse the cord. Never use the cord for carrying, pulling or unplugging the product. Keep cord away from heat, oil, sharp edges or moving parts.** Damaged or entangled cords increase the risk of electric shock.
- **When operating a product outdoors, use an extension cord suitable for outdoor use.** Use of a cord suitable for outdoor use reduces the risk of electric shock.
- **If operating a product in a damp location is unavoidable, use a residual current device (RCD) protected supply.** Use of an RCD reduces the risk of electric shock.

2.2.3 PERSONAL SAFETY

- **Stay alert, watch what you are doing and use common sense when operating a product. Do not use a product while you are tired or under the influence of drugs, alcohol or medication.** A moment of inattention while operating products may result in serious personal injury.
- **Use personal protective equipment. Always wear eye protection.** Protective equipment such as dust mask, non-skid safety shoes, hard hat, or hearing protection used for appropriate conditions will reduce personal injuries.
- **Prevent unintentional starting. Ensure the switch is in the off-position before connecting to power source and/or battery, picking up or carrying the product.** Carrying products with your finger on the switch or energising products that have the switch on invites accidents.
- **Remove any adjusting key or wrench before turning the product on.** A wrench or a key left attached to a rotating part of the product may result in personal injury.
- **Do not overreach. Keep proper footing and balance at all times.** This enables better control of the product in unexpected situations.
- **Dress properly. Do not wear loose clothing or jewellery. Keep your hair and clothing away from moving parts.** Loose clothes, jewellery or long hair can be caught in moving parts.
- **If devices are provided for the connection of dust extraction and collection facilities, ensure these are connected and properly used.** Use of dust collection can reduce dust-related hazards.
- **Do not let familiarity gained from frequent use of products allow you to become complacent and ignore tool safety principles.** A careless action can cause severe injury within a fraction of a second.

2.2.4 PRODUCT USE AND CARE

- **Do not force the product. Use the correct product for your application.** The correct product will do the job better and safer at the rate for which it was designed.
- **Do not use the product if the switch does not turn it on and off.** Any product that cannot be controlled with the switch is dangerous and must be repaired.
- **Disconnect the plug from the power source and/or remove the battery pack, if detachable, from the product before making any adjustments, changing accessories, or storing products.** Such preventive safety measures reduce the risk of starting the product accidentally.
- **Store idle products out of the reach of children and do not allow persons unfamiliar with the**

product or these instructions to operate the product. *products are dangerous in the hands of untrained users.*

- **Maintain products and accessories. Check for misalignment or binding of moving parts, breakage of parts and any other condition that may affect the product's operation. If damaged, have the product repaired before use.** *Many accidents are caused by poorly maintained products.*
- **Keep cutting tools sharp and clean.** *Properly maintained cutting tools with sharp cutting edges are less likely to bind and are easier to control.*
- **Use the product, accessories and tool bits etc. in accordance with these instructions, taking into account the working conditions and the work to be performed.** *Use of the product for operations different from those intended could result in a hazardous situation.*
- **Keep handles and grasping surfaces dry, clean and free from oil and grease.** *Slippery handles and grasping surfaces do not allow for safe handling and control of the tool in unexpected situations.*

2.2.5 BATTERY TOOL USE AND CARE

- **Recharge only with the charger specified by the manufacturer.** *A charger that is suitable for one type of battery may create a risk of fire when used with another battery.*
- **Use machines only with specifically designated batteries.** *Use of any other batteries may create a risk of injury and fire.*
- **When battery is not in use, keep it away from other metal objects, like paper clips, coins, keys, nails, screws or other small metal objects, that can make a connection from one terminal to another.** *Shorting the battery terminals together may cause burns or a fire.*
- **Under abusive conditions, liquid may be ejected from the battery; avoid contact. If contact accidentally occurs, flush with water. If liquid contacts eyes, additionally seek medical help.** *Liquid ejected from the battery may cause irritation or burns.*
- **Do not use a battery or product that is damaged or modified.** *Damaged or modified batteries may exhibit unpredictable behaviour resulting in fire, explosion or risk of injury.*
- **Do not expose a battery or product to fire or excessive temperature.** *Exposure to fire or temperature above 130 °C (265 °F) may cause explosion.*
- **Follow all charging instructions and do not charge the battery or product outside the temperature range specified in the instructions.** *Charging improperly or at temperatures outside the specified range may damage the battery and increase the risk of fire.*

2.2.6 SERVICE

- **Have your product serviced by a qualified repair person using only identical replacement parts.** *This will ensure that the safety of the product is maintained.*
- **Never service damaged batteries.** *Service of batteries should only be performed by the manufacturer or authorized service providers.*

2.2.7 HEDGE TRIMMER SAFETY WARNINGS

- **Do not use the hedge trimmer in bad weather conditions, especially when there is a risk of lightning.** *This decreases the risk of being struck by lightning.*
- **Keep all power cords and cables away from cutting area.** *Power cords or cables may be hidden in hedges or bushes and can be accidentally cut by the blade.*
- **Wear ear protection.** *Adequate protective equipment will reduce the risk of hearing loss.*
- **Hold the hedge trimmer by insulated gripping surfaces only, because the blade may contact hidden wiring.** *Blades contacting a "live" wire may make exposed metal parts of the hedge trimmer "live" and could give the operator an electric shock.*
- **Keep all parts of the body away from the blade. Do not remove cut material or hold material to be cut when blades are moving.** *Blades continue to move after the switch is turned off. A moment of inattention while operating the hedge trimmer may result in serious personal injury.*
- **When clearing jammed material or servicing the hedge trimmer, make sure all power switches are off and the battery is removed or disconnected.** *Unexpected actuation of the hedge trimmer while clearing jammed material or servicing may result in serious personal injury.*
- **Carry the hedge trimmer by the handle with the blade stopped and taking care not to operate any power switch.** *Proper carrying of the hedge trimmer will decrease the risk of inadvertent starting and resultant personal injury from the blades.*
- **When transporting or storing the hedge trimmer, always use the blade cover.** *Proper handling of the hedge trimmer will decrease the risk of personal injury from the blades.*

3 OPERATION

This section describes how to operate the product.

WARNING

CAREFULLY READ AND UNDERSTAND THE SAFETY CHAPTER AND OPERATION INSTRUCTIONS BEFORE YOU OPERATE THE PRODUCT.

3.1 BEFORE YOU USE THE PRODUCT

3.1.1 CONNECT THE BATTERY CHARGER

1. Connect the battery charger to the proper voltage and frequency that is specified on the rating plate.
2. Refer to the Battery Charger Operator Manual for information about how to use the battery charger.

3.1.2 CHARGE THE BATTERY

Refer to the Battery Charger Operator Manual for information about how to use the battery charger.

3.1.3 BATTERY INFORMATION

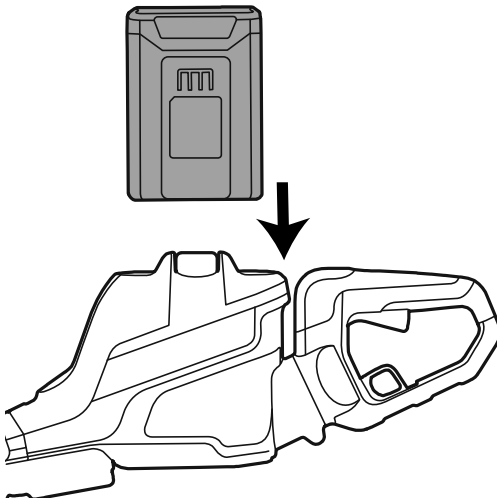
Refer to the Battery Operator Manual for information about how to use the battery.

3.1.4 CONNECT THE BATTERY TO THE PRODUCT

⚠ WARNING

ONLY USE GREENWORKS ORIGINAL BATTERIES WITH THE PRODUCT.

1. Make sure that the battery is fully charged.
2. Push the battery into the battery compartment. The battery locks into position when you hear a click.



⚠ CAUTION

IF THE BATTERY DOES NOT MOVE EASILY INTO THE BATTERY COMPARTMENT, IT MAY NOT BE INSTALLED CORRECTLY, WHICH CAN CAUSE DAMAGE TO THE BATTERY AND/OR THE PRODUCT.

3. Make sure that the battery is installed correctly.

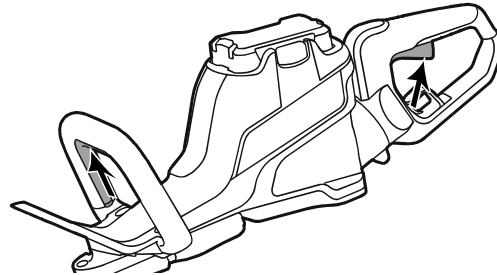
3.2 START THE PRODUCT

1. Hold the front handle with one hand and pull the front handle safety switch.

2. With your other hand, hold the rear handle and pull the trigger.

⚠ WARNING

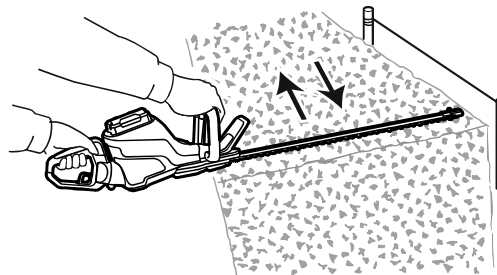
ALWAYS HOLD THE PRODUCT WITH BOTH HANDS DURING OPERATION.



3.3 OPERATE THE PRODUCT

3.3.1 TOP CUTTING

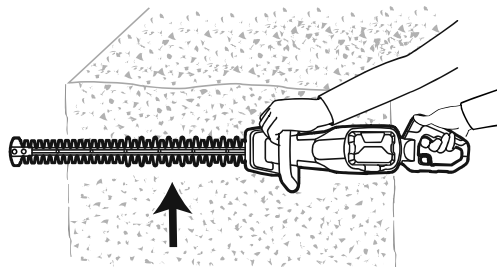
1. Hold the trimmer with both hands and use a wide sweeping motion.
2. Tie a string at the desired height and trim along it.



3. Exercise caution and operate the trimmer slowly.

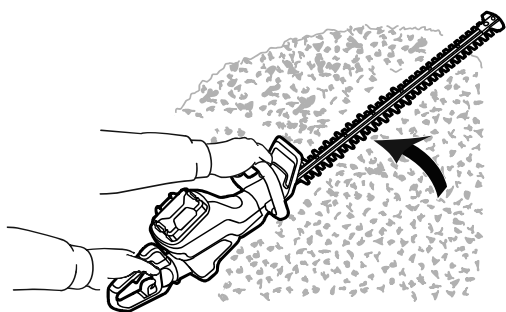
3.3.2 SIDE CUTTING

1. To ensure even cutting of a hedge side, trim from the bottom to the top.



3.3.3 ROUND CUTTING

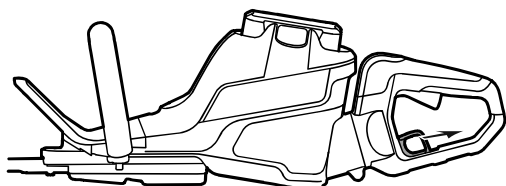
1. To achieve uniformity, trim the plant from the base or root upwards to the top.



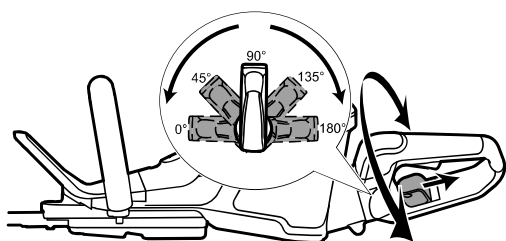
3.4 ROTATE THE REAR HANDLE

The rear handle offers 5 adjustable positions and can rotate 180°.

1. Pull the handle rotation latch to rotate the handle.

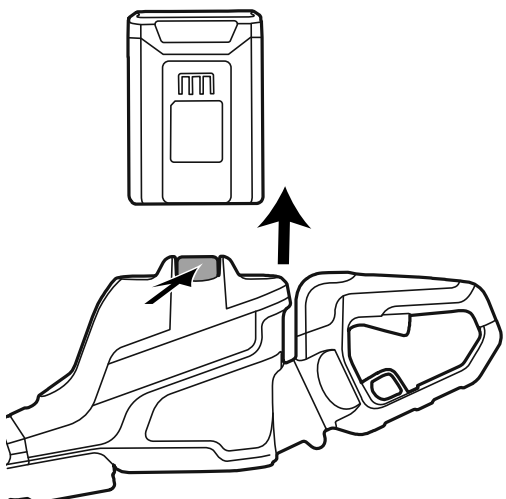


2. Rotate the rear handle until you hear a click, indicating that it has securely locked into position.



3.5 STOP THE PRODUCT

1. Release the trigger until blades completely stop moving.
2. Push and hold the battery release button.
3. Remove the battery from the product to fully stop its operation.



4 MAINTENANCE

IMPORTANT

Carefully read and understand the safety regulations and the maintenance instructions before you clean, repair, or do any maintenance on the product (Reference Safety regulations and maintenance instructions).

WARNING

- **REMOVE BATTERY OR BATTERIES FROM THE PRODUCT BEFORE YOU DO ANY MAINTENANCE.**
- **FAILURE TO FOLLOW PROPER MAINTENANCE SERVICE, USING THIRD-PARTY REPLACEMENT PARTS, OR MODIFYING/REMOVING COMPONENTS CAN RESULT IN INJURY TO THE USER.**

4.1 MAINTENANCE SCHEDULE

The following is a list of the maintenance steps that must be performed on the product.

Maintenance	Before use	Weekly	Monthly
Clean the external parts of the product.	X		
To ensure safe operation, verify that the trigger and front handle safety switch are functioning correctly.	X		
Make sure that all controls are in working order and are not damaged.	X		
Inspect the blade and blade guard for signs of damage, such as cracks. Replace the blade or the blade guard if they have cracks or if they have been exposed to impact.	X		
Replace the blade if it is bent or damaged.	X		
Inspect the hand guard for signs of damage, such as cracks. Replace the guard if it is damaged.	X		
Make sure that the screws and nuts are tight.	X		
Make sure that the battery is not damaged.	X		
Make sure that the battery is charged.	X		
Make sure that the battery charger is not damaged.	X		
Make sure that the screws holding the blades together are properly tightened.		X	
Perform a thorough check of the connection between the battery and the product. Additionally, examine the connection between the battery and the battery charger.			X

4.2 EXAMINE THE BLADES

1. Before and after each use, clean the blades using an anti-corrosion cleaning agent to remove any unwanted materials.
2. Inspect the edges of the blade for any signs of damage or deformation.
3. Use a file to eliminate any burrs on the blade.
4. Ensure that there are no obstacles impeding the movement of the blades.

4.3 CLEAN AND LUBRICATE THE BLADES

1. Clean the blades from unwanted materials before and after each use.
2. Lubricate the blades before storing for extended periods of time.

Note: Consult your nearest service center for more information about recommended cleaning agents and lubricants.

4.4 EXAMINE THE BATTERY AND THE BATTERY CHARGER

Carefully inspect the battery, battery charger, and connection cord of the battery charger for any signs of damage, such as cracks or broken parts. Replace if necessary.

4.5 CLEAN THE PRODUCT

CAUTION

- KEEP WATER AWAY FROM BATTERY COMPARTMENT WHILE WASHING TO AVOID DAMAGING THE ELECTRICAL COMPONENTS.
- DO NOT CLEAN WITH ALCOHOL, GASOLINE, ACETONE, OR OTHER CORROSIVE/VOLATILE SOLVENTS. THESE SUBSTANCES MAY DAMAGE THE EXTERNAL AND INTERNAL STRUCTURE OF YOUR PRODUCT.
- DO NOT RUB WITH SANDPAPER OR METAL BRUSH.

Clean the product after each use with water, neutral detergent, and a soft cloth.

4.6 CLEAN THE BATTERY AND BATTERY CHARGER

WARNING

DO NOT CLEAN THE BATTERY OR THE BATTERY CHARGER WITH WATER.

- Make sure that the battery and the battery charger and battery compartment are all clean and dry before you insert the battery into the battery charger.
- Clean the battery terminals with a soft and dry cloth.
- Clean the surface of the battery and the battery charger with a soft and dry cloth.

5 TRANSPORTATION, STORAGE AND DISPOSAL

5.1 TRANSPORTATION

- Any removable (electronic) parts, such as the charger and battery, should always be disconnected before transport.
- Avoid transporting the product in bad weather conditions when possible.
- Make sure to adequately cover any exposed electronic parts if transportation in adverse weather conditions is unavoidable.
- Use tape on open contacts of the battery and ensure it is securely stowed to prevent movement.
- High speeds, along with wind, and rain may force moisture into the electronic components, which can lead to temporary malfunctions or permanent defects.
- In case of malfunction occurring after transport in such conditions, remove the battery and allow all parts to air-dry when you reach your destination.

5.2 STORAGE

If the product is left unused for an extended period, proper storage maintenance is required.

- Store the product locked up to prevent unauthorized use or damage.
- Store the product in a dry, well-ventilated area.
- Store the product out of the reach of children.

5.3 DISPOSAL OF THE BATTERY, BATTERY CHARGER, AND PRODUCT

Symbols on the product or the package of the product mean that the product is not domestic waste. Recycle it at a recycling station for electrical and electronic equipment. This helps to prevent damage to the environment and persons.

Get in touch with your local authorities, domestic waste service, or your dealer for more information about how to recycle your product.

6 TROUBLESHOOTING

PROBLEM	POSSIBLE CAUSE	POSSIBLE ACTION
The motor does not start when you pull the trigger.	The battery is not installed correctly.	Make sure that you correctly install the battery in the product.
	The battery is out of power.	Charge the battery.
The product releases smoke during operation.	The product has sustained damage.	<ol style="list-style-type: none"> 1. Immediately stop the product. 2. Remove the battery. 3. Consult your nearest service center.
The motor is on, but the blades do not move.	The product has sustained damage.	Do not use the product. Consult your nearest service center.
	The blades are blocked.	Remove battery then clear blockage from the blades.
Excessive noise and/ or vibration during operation.	The screw and nuts are not properly tightened.	<ol style="list-style-type: none"> 1. Stop the product. 2. Remove the battery. 3. Inspect for damage. 4. Check and tighten loose screws and nuts.
	The product has sustained damage.	Do not use the product. Consult your nearest service center.

7 TECHNICAL DATA

Voltage	60 V
Blade speed	4000(±10%) min ⁻¹
Blade length	26" (660 mm)
Cutting capacity	1.1" (28 mm)
Battery model	LB60251 / LB6041 / LB6042 / LB6051 / LB6081 and other BAC series
Charger model	CAC801 / CH60R00 / CH60DP01 / CHDPC10A and other CAC series

The recommended ambient temperature ranges:

Situation	Temperature
Product storage	32 °F (0 °C) ~ 113 °F (45 °C)
Product operation	32 °F (0 °C) ~ 113 °F (45 °C)
Battery charging	39 °F (4 °C) ~ 104 °F (40 °C)
Charger operation	39 °F (4 °C) ~ 104 °F (40 °C)
Battery storage	32 °F (0 °C) ~ 113 °F (45 °C)
Battery discharging	32 °F (0 °C) ~ 113 °F (45 °C)

8 LIMITED WARRANTY



Greenworks hereby warrants this product, to the original purchaser with proof of purchase, for a period of four (4) years against defects in materials, parts or workmanship. Greenworks, at its own discretion will repair or replace any and all parts found to be defective, through normal use, free of charge to the customer. This warranty is valid only for units which have been used for personal use that have not been hired or rented for industrial/commercial use, and that have been maintained in accordance with the instructions in the operator manual supplied with the product from new.

ITEMS NOT COVERED BY WARRANTY:

1. Any part that has become inoperative due to misuse, commercial use, abuse, neglect, accident, improper maintenance, or alteration; or

2. The unit, if it has not been operated and/or maintained in accordance with the operator manual; or
3. Normal wear;
4. Routine maintenance items such as lubricants, blade sharpening;
5. Normal deterioration of the exterior finish due to use or exposure.

HELPLINE:

Warranty service is available by calling our toll-free helpline, at 1-855-345-3934.

TRANSPORTATION CHARGES:

Transportation charges for the movement of any power equipment unit or attachment are the responsibility of the purchaser. It is the purchaser's responsibility to pay transportation charges for any part submitted for replacement under this warranty unless such return is requested in writing by Greenworks.

USA address:

Greenworks Tools

P.O. Box 1238, Mooresville, NC 28115

Canadian address:

Greenworks Tools Canada, Inc.

P.O. Box 93095, Newmarket, Ontario, L3Y 8K3

Mexico address:

TECNOLOGIA CAMPO Y JARDIN S.A. DE C.V.

ADMINISTRADORES No. 5336 A, COL. ARCOS DE GUADALUPE, ZAPOPAN, JALISCO, C.P. 45037

1	Introduction.....	15			
1.1	Description du produit.....	15	4.2	Examen des lames.....	20
1.2	Utilisation conforme.....	15	4.3	Nettoyage et lubrification des lames.....	21
1.3	Aperçu du produit.....	15	4.4	Examinez la batterie et le chargeur de batterie.....	21
1.4	Symboles figurant sur la machine.....	15	4.5	Nettoyage du produit.....	21
1.5	California Proposition 65.....	15	4.6	Nettoyage de la batterie et du chargeur de batterie.....	21
2	Sécurité.....	15	5	Transport, entreposage et mise au rebut.....	22
2.1	Définitions de sécurité.....	15	5.1	Transport.....	22
2.2	Avertissements généraux sur la sécurité produit.....	16	5.2	Entreposage.....	22
3	Utilisation.....	18	5.3	Mise au rebut de la batterie, du chargeur de batterie et du produit.....	22
3.1	Avant d'utiliser le produit.....	18	6	Dépannage.....	23
3.2	Démarrage du produit.....	18	7	Données techniques.....	24
3.3	Utilisation du produit.....	19	8	Garantie limitée.....	24
3.4	Tourner la poignée arrière.....	19			
3.5	Arrêt du produit.....	19			
4	Entretien.....	20			
4.1	Programme de maintenance.....	20			

1 INTRODUCTION

1.1 DESCRIPTION DU PRODUIT

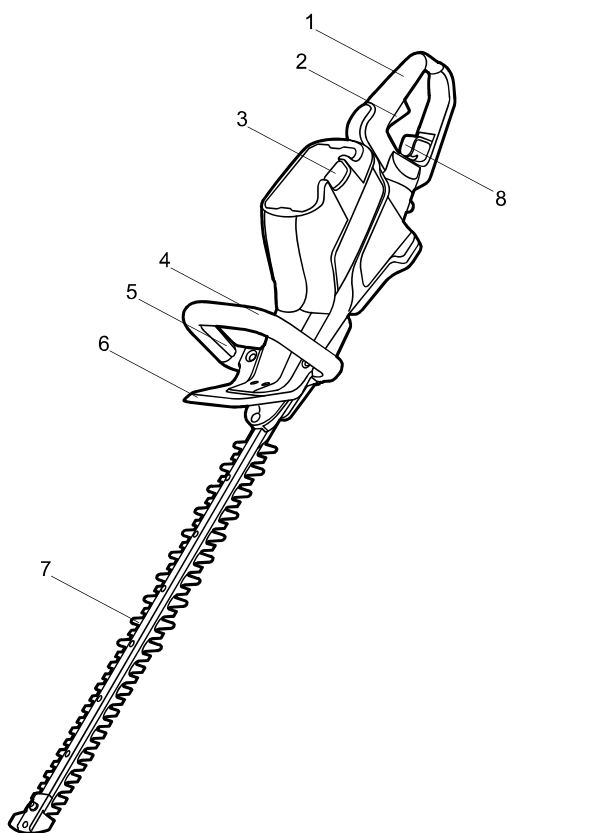
Ce produit est un taille-haie sur batterie doté d'un moteur électrique.

Nous nous engageons à améliorer en continu nos produits et nous réservons donc le droit de modifier le design et l'apparence sans préavis.

1.2 UTILISATION CONFORME

Utilisez le produit pour couper les branches et brindilles. N'utilisez pas le produit pour d'autres tâches.

1.3 APERÇU DU PRODUIT



- | | |
|---|---------------------------------|
| 1 Poignée arrière | 6 Garde protectrice |
| 2 Gâchette | 7 Lames |
| 3 Bouton de libération de batterie | 8 Loquet de rotation de poignée |
| 4 Poignée avant | |
| 5 Interrupteur de sécurité de poignée avant | |

1.4 SYMBOLES FIGURANT SUR LA MACHINE

Symbole	Explication
	Précautions de sécurité importantes.
	Pour réduire le risque de blessures, l'utilisateur doit avoir lu le manuel d'instructions.
	Portez des lunettes enveloppantes et un casque anti-bruit.
	Ne l'exposez pas à la pluie ou à l'eau.
	Maintenez vos mains à l'écart des lames.

1.5 CALIFORNIA PROPOSITION 65

AVERTISSEMENT

CE PRODUIT CONTIENT OU ÉMET UN PRODUIT CHIMIQUE CONNU DANS L'ÉTAT DE CALIFORNIE COMME ÉTANT UNE CAUSE DE CANCER, DE MALFORMATIONS CONGÉNITALES OU D'AUTRES PROBLÈMES DE REPRODUCTION.

2 SÉCURITÉ

2.1 DÉFINITIONS DE SÉCURITÉ

Les avertissements, précautions et notes mettent l'accent sur des parties spécialement importantes du manuel.

AVERTISSEMENT

L'OPÉRATEUR OU LES BADAUDS SONT EXPOSÉS À UN RISQUE DE BLESSURES, PARFOIS MORTELLES, SI LES INSTRUCTIONS DU MANUEL NE SONT PAS RESPECTÉES.

ATTENTION

LE PRODUIT, LE RESTE DU MATÉRIEL OU LA ZONE ADJACENTE EST EXPOSÉ À UN RISQUE DE DOMMAGES SI LES INSTRUCTIONS DU MANUEL NE SONT PAS RESPECTÉES.

Note : Pour un complément d'information nécessaire dans une situation donnée.

2.2 AVERTISSEMENTS GÉNÉRAUX SUR LA SÉCURITÉ PRODUIT

⚠ AVERTISSEMENT

Lisez tous les avertissements de sécurité et toutes les instructions, illustrations et spécifications accompagnant ce produit. *Le non-respect de ces instructions peut entraîner un choc électrique, un incendie et/ou des blessures graves.*

Conservez tous les avertissements et instructions pour référence ultérieure.

Le terme « produit » dans les avertissements fait référence à votre produit fonctionnant sur secteur (avec fil) ou sur batterie (sans fil).

2.2.1 SÉCURITÉ DE LA ZONE DE TRAVAIL

- **Gardez la zone de travail propre et bien éclairée.** *Les endroits encombrés ou sombres favorisent les accidents.*
- **N'utilisez pas les produits dans des environnements explosifs, par exemple en présence de liquides, gaz ou poussières inflammables.** *Les produits créent des étincelles qui peuvent allumer les poussières et fumées.*
- **Tenez les enfants et les badauds à l'écart lorsque vous utilisez un produit.** *Les distractions peuvent vous faire perdre le contrôle.*

2.2.2 SÉCURITÉ ÉLECTRIQUE

- **Les fiches du produit doivent correspondre à la prise. Ne modifiez jamais la prise d'aucune façon. N'utilisez pas de fiches adaptatrices avec des produits mis à la terre.** *Des prises non modifiées et leurs prises de courant respectives réduisent les risques de choc électrique.*
- **Évitez que le corps n'entre en contact avec des surfaces mises à la terre comme les tuyaux, les radiateurs, les cuisinières et les réfrigérateurs.** *Il y a un risque accru de choc électrique si votre corps est en contact avec la terre.*
- **N'exposez pas les produits à la pluie ou à l'humidité.** *L'eau qui pénètre dans un produit augmente le risque de décharge électrique.*
- **N'abusez pas du cordon. N'utilisez jamais le cordon pour porter, tirer ou débrancher le produit. Éloignez le cordon de la chaleur, de l'huile, des bords tranchants ou des pièces mobiles.** *Les cordons endommagés augmentent le risque d'un choc électrique.*
- **Lorsque vous utilisez un produit en extérieur, employez une rallonge de câble adaptée à l'usage en extérieur.** *Utiliser un câble adapté à un usage en extérieur réduit le risque de choc électrique.*

- **Si vous ne pouvez éviter d'utiliser l'outil dans un environnement humide, employez une alimentation protégée par un dispositif de courant résiduel (DCR).** *Le respect de cette règle réduira le risque de chocs électriques.*

2.2.3 SÉCURITÉS DES PERSONNES

- **Restez vigilant, soyez attentif à ce que vous faites et faites preuve de bon sens lorsque vous utilisez le produit. N'utilisez pas un produit lorsque vous êtes fatigué, sous l'emprise de l'alcool ou de drogues, voire après avoir pris des médicaments.** *Un moment d'inattention lors de l'utilisation des produits peut provoquer des blessures graves.*
- **Utilisez de l'équipement de protection individuelle. Portez toujours des lunettes de protection.** *L'utilisation d'équipement de protection adapté aux conditions (masque antipoussière, chaussures de sécurité antidérapantes, casque et protections auditives etc.) permet de réduire les risques de blessures corporelles.*
- **Évitez tout démarrage accidentel. Assurez-vous que l'interrupteur est en position d'arrêt avant de connecter le produit à une source d'alimentation ou une batterie, voire pour le soulever ou le transporter.** *Le transport des produits avec votre doigt sur l'interrupteur ou la mise sous tension des produits dont l'interrupteur est sur marche risque de provoquer des accidents.*
- **Retirez la clé d'ajustement avant d'allumer le produit.** *Une clé restée sur une pièce rotative du produit peut causer des blessures.*
- **Ne vous penchez pas trop en avant. Gardez un bon équilibre en tout temps.** *Vous maîtrisez ainsi mieux le produit dans des situations inattendues.*
- **Habillez-vous correctement. Ne portez pas de vêtements amples ou de bijoux. Veillez à ne pas approcher vos cheveux et vos vêtements des pièces en mouvement.** *Les vêtements amples, les bijoux et les cheveux longs peuvent se prendre dans les pièces en mouvement.*
- **Si un appareil est conçu pour être utilisé avec des dispositifs d'extraction et de récupération des poussières, veillez à ce que ces dispositifs soient bien raccordés et correctement utilisés.** *L'utilisation de dispositifs de récupération des poussières permet de réduire les risques liés aux poussières.*
- **Ne laissez pas l'habitude des fréquentes utilisations des produits vous rendre complaisant et vous faire ignorer les principes de sécurité des outils.** *Une action négligente peut provoquer de graves blessures en une fraction de seconde.*

2.2.4 USAGE ET ENTRETIEN DU PRODUIT

- **Ne forcez pas sur le produit. Utilisez le produit correct pour votre application.** *Le produit correct fera mieux le travail en toute sécurité au rythme pour lequel il a été conçu.*
- **N'utilisez pas le produit si l'interrupteur ne le met pas sous et hors tension.** *Tout produit qui ne peut pas être contrôlé avec l'interrupteur est dangereux et doit être réparé.*
- **Déconnectez la prise de la source d'alimentation ou retirez du produit le bloc-batterie, s'il est amovible, avant d'effectuer des ajustements, de changer d'accessoire ou de ranger les produits.** *Ces mesures de sécurité préventives réduisent le risque de démarrage accidentel du produit.*
- **Rangez les produit à l'arrêt hors de portée des enfants et ne laissez pas quiconque qui ne serait pas familiarisé avec le produit ou ces instructions l'utiliser.** *Les produits sont dangereux dans les mains d'utilisateurs non formés.*
- **Assurez la maintenance des produits et accessoires.** *Vérifiez qu'aucune pièce mobile n'est désalignée, grippée ou cassée et soyez attentif à toute autre condition qui pourrait affecter le fonctionnement du produit'. S'il est endommagé, faites réparer le produit avant de l'utiliser.* *De nombreux accidents sont le fruit d'une maintenance inappropriée des produits.*
- **Garder les outils de coupe propres et tranchants.** *Les outils de coupe bien entretenus avec des bords tranchants sont moins susceptibles de se coincer et sont plus faciles à contrôler.*
- **Utilisez le produit, les accessoires, les embouts, etc. conformément à ces instructions, en tenant compte des conditions de travail et des travaux à effectuer.** *L'utilisation du produit pour des opérations différentes de celles prévues pourrait créer une situation dangereuse.*
- **Veillez à ce que les poignées restent propres, sèches et exemptes d'huile et de graisse.** *Les poignées et surfaces de prise glissantes ne permettent pas de manipuler et de contrôler l'outil dans des situations inattendues.*

2.2.5 UTILISATION ET ENTRETIEN DE L'OUTIL À BATTERIE

- **Rechargez uniquement avec le chargeur spécifié par le fabricant.** *Un chargeur adapté à un type de batterie peut créer un risque d'incendie lorsqu'il est utilisé avec une autre batterie.*
- **Utilisez les machines uniquement avec des batteries spécifiquement conçues.** *L'utilisation de toute autre batterie peut créer un risque de blessure et d'incendie.*
- **Lorsque la batterie n'est pas utilisée, éloignez-la d'autres objets métalliques comme des**

trombones, des pièces de monnaie, des clés, des clous, des vis ou d'autres petits objets métalliques qui peuvent établir une connexion d'un terminal à un autre. *Le court-circuitage des bornes de la batterie peut provoquer des brûlures ou un incendie.*

- **Dans des conditions abusives, du liquide peut être éjecté de la batterie ; évitez tout contact. En cas de contact accidentel, rincez avec de l'eau. En cas de contact avec les yeux, consultez également un médecin.** *Le liquide s'échappant des batteries peut causer des irritations ou des brûlures.*
- **N'utilisez pas un produit ou une batterie endommagé ou modifié.** *Les batteries endommagées ou modifiées peuvent présenter un fonctionnement imprévisible et provoquer un incendie, une explosion ou un risque de blessure.*
- **N'exposez pas un produit ou une batterie au feu ou à une température excessive.** *L'exposition au feu ou une température supérieure à 265°F (130°C) peut provoquer une explosion.*
- **Suivez toutes les instructions de charge et ne chargez pas la batterie ou le produit en dehors de la plage de température spécifiée dans les instructions.** *Un rechargement incorrect ou à des températures en dehors de la plage spécifiée peut endommager la batterie et augmenter le risque d'incendie.*

2.2.6 SERVICE

- **Faites effectuer l'entretien de votre produit par un réparateur qualifié utilisant uniquement des pièces de rechange identiques.** *Cela garantira le maintien de la sécurité du produit.*
- **Ne réparez jamais les batteries endommagées.** *L'entretien des batteries ne doit être effectué que par le fabricant ou des prestataires de services agréés.*

2.2.7 AVERTISSEMENTS DE SÉCURITÉ DE LA TAILLE-HAIE

- **N'utilisez pas la taille-haie par mauvais temps, surtout s'il y a un risque de foudre.** *Cela diminue le risque d'être frappé par la foudre.*
- **Maintenez tous les cordons et câbles électriques à l'écart de la zone de coupe.** *Des cordons ou câbles d'alimentation peuvent être cachés dans les haies ou les buissons et peuvent être accidentellement coupés par la lame.*
- **Portez un casque anti-bruit.** *Un équipement de protection adéquat réduira les risques de perte d'audition.*
- **Tenez la taille-haie par ses surfaces de préhension isolées uniquement, car la lame peut entrer en contact avec des fils cachés.** *Les lames en contact avec un câble sous tension peuvent exposer des parties métalliques de l'outil et pourraient causer une décharge électrique.*

- **Veillez à ce qu'aucune partie du corps ne s'approche de la lame. N'enlevez pas le matériau coupé et ne retenez pas le matériau à couper lorsque les lames sont en mouvement.** *Les lames continuent de bouger après que l'interrupteur ait été éteint. Un simple moment d'inattention lors de l'utilisation de la taille-haie peut provoquer des blessures corporelles graves.*
- **Lorsque vous retirez des matériaux coincés ou procédez à l'entretien du taille-haie, assurez-vous que tous les interrupteurs d'alimentation sont désactivés et que la batterie est retirée ou déconnectée.** *Une mise en marche inattendue du taille-haie lors de l'élimination de blocages ou de l'entretien peut entraîner des blessures graves.*
- **Transportez le taille-haie par la poignée, la lame arrêtée, en veillant à ne pas actionner l'interrupteur.** *Le fait de transporter correctement le taille-haie réduit le risque de démarrage par inadvertance et de blessure causée par les lames.*
- **Pour le transport ou l'entreposage du taille-haie, placez, utilisez systématiquement le cache de lame.** *Une manipulation correcte du taille-haie réduira le risque de blessures corporelles causées par les lames.*

3 UTILISATION

Cette section décrit le mode d'emploi du produit.

⚠ AVERTISSEMENT

VOUS DEVEZ AVOIR LU ATTENTIVEMENT ET COMPRIS LE CHAPITRE SÉCURITÉ ET LES INSTRUCTIONS D'UTILISATION AVANT D'UTILISER LE PRODUIT.

3.1 AVANT D'UTILISER LE PRODUIT

3.1.1 CONNECTER LE CHARGEUR DE BATTERIE

1. Connectez le chargeur de batterie à une source de tension et de fréquence appropriées, spécifiées sur la plaque signalétique.
2. Reportez-vous au manuel d'utilisation du chargeur de batterie pour obtenir des informations sur l'utilisation du chargeur de batterie.

3.1.2 RECHARGEZ LA BATTERIE

Référez-vous au Manuel opérateur du chargeur de batterie pour le mode d'emploi du chargeur de batterie.

3.1.3 RENSEIGNEMENTS SUR LA BATTERIE

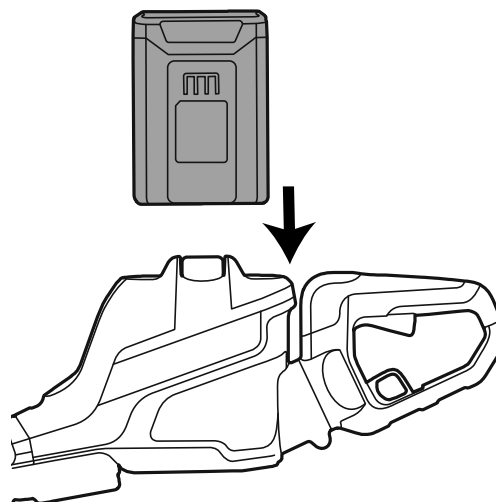
Référez-vous au Manuel opérateur de la batterie pour le mode d'emploi de la batterie.

3.1.4 CONNEXION DE LA BATTERIE AU PRODUIT

⚠ AVERTISSEMENT

UTILISEZ UNIQUEMENT DES BATTERIES GREENWORKS D'ORIGINE AVEC LE PRODUIT.

1. Assurez-vous que la batterie est complètement chargée.
2. Poussez la batterie dans son compartiment. La batterie se verrouille en position lorsque vous entendez un clic.



⚠ ATTENTION

SI LA BATTERIE NE S'AJUSTE PAS FACILEMENT DANS LE COMPARTIMENT DE BATTERIE, IL EST POSSIBLE QU'ELLE SOIT MAL INSTALLÉE CE QUI RISQUE D'ENDOMMAGER LA BATTERIE OU LE PRODUIT.

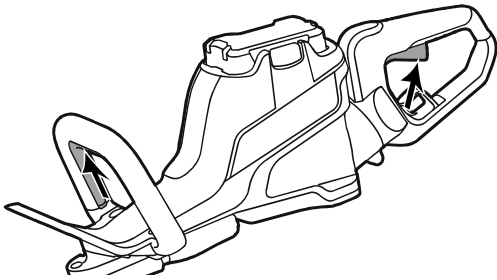
3. Assurez-vous que la batterie est correctement installée.

3.2 DÉMARRAGE DU PRODUIT

1. Maintenez la poignée avant d'une main et tirez l'interrupteur de sécurité de poignée avant.
2. De l'autre main, tenez la poignée arrière et tirez sur la gâchette.

⚠ AVERTISSEMENT

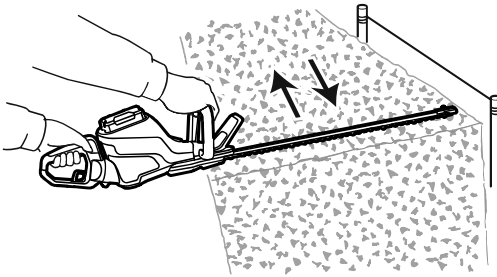
TENEZ SYSTÉMATIQUEMENT LE PRODUIT AVEC LES DEUX MAINS DURANT LE TRAVAIL.



3.3 UTILISATION DU PRODUIT

3.3.1 COUPE PAR LE DESSUS

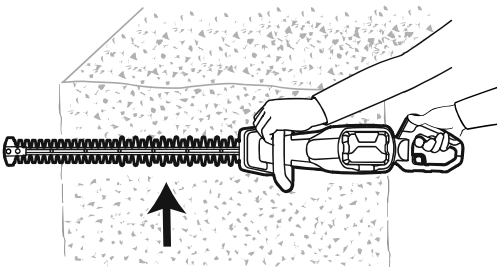
1. Maintenez le taille-haie des deux mains et effectuez un mouvement ample de balayage.
2. Fixez une cordelette à la hauteur souhaitée et taillez tout du long.



3. Soyez prudent et utilisez le taille-haie lentement.

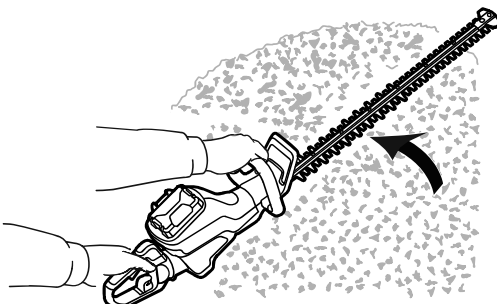
3.3.2 COUPE LATÉRALE

1. Pour assurer une coupe uniforme sur le côté d'une haie, coupez de bas en haut.



3.3.3 COUPE EN ROND

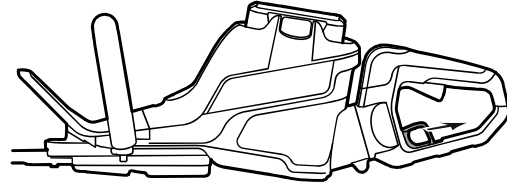
1. Pour assurer l'uniformité, taillez la plante depuis la base ou la racine en remontant vers le haut.



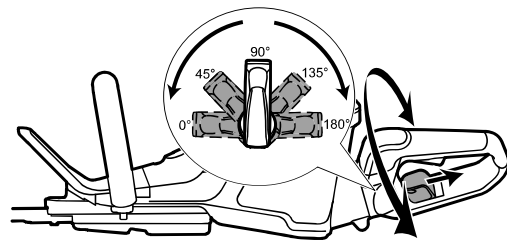
3.4 TOURNER LA POIGNÉE ARRIÈRE

La poignée arrière offre 5 positions réglables et peut tourner à 180°.

1. Tirez le loquet de rotation de poignée pour faire tourner la poignée.

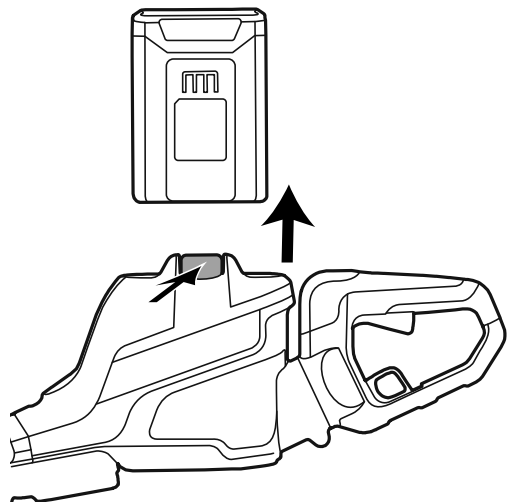


2. Tournez la poignée arrière jusqu'à ce que vous entendiez le clic indiquant que sa position est bien verrouillée.



3.5 ARRÊT DU PRODUIT

1. Relâchez la gâchette jusqu'à ce que les lames soient complètement arrêtées.
2. Poussez et maintenez enfoncé le bouton de déblocage de la batterie.
3. Retirez la batterie du produit pour l'arrêter complètement.



4 ENTRETIEN

FR

IMPORTANT

Vous devez avoir lu attentivement et compris les règles de sécurité et les instructions de maintenance avant de nettoyer, de réparer ou d'effectuer des travaux de maintenance sur le produit (Référence Règles de sécurité et instructions de maintenance).

AVERTISSEMENT

- **RETIREZ LA OU LES BATTERIES DU PRODUIT AVANT D'EFFECTUER UNE QUELCONQUE MAINTENANCE.**
- **LE NON-RESPECT DES PROCÉDURES DE MAINTENANCE CORRECTES, L'USAGE DE PIÈCES DE RECHANGE DE TIERS OU LA MODIFICATION /DÉPOSE DE COMPOSANTS RISQUE DE BLESSER L'UTILISATEUR.**

4.1 PROGRAMME DE MAINTENANCE

La liste suivante indique les étapes de maintenance à effectuer sur le produit.

Entretien	Avant usage	Hebdomadaire	Mensuel
Nettoyez les pièces externes du produit.	X		
Pour assurer un fonctionnement en toute sécurité, vérifiez que la gâchette et l'interrupteur de sécurité de poignée avant fonctionnent correctement.	X		
Assurez-vous que toutes les commandes sont en bon état de fonctionnement et intactes.	X		
Inspectez la lame et sa protection pour détecter les signes de dommages, comme les fissures. Remplacez la lame ou sa protection en présence de fissures ou si elles ont été exposées à des impacts.	X		
Remplacez la lame si elle est pliée ou endommagée.	X		
Inspectez le protège-main pour détecter les signes de dommages, comme les fissures. Remplacez la protection si elle est endommagée.	X		
Assurez-vous que les vis et écrous sont bien serrés.	X		
Assurez-vous que la batterie est intacte.	X		
Assurez-vous que la batterie est chargée.	X		
Assurez-vous que le chargeur de batterie est intact.	X		
Assurez-vous que les vis maintenant les lames ensemble sont bien serrées.		X	
Effectuez un contrôle approfondi de la connexion entre la batterie et le produit. En outre, vérifiez la connexion entre la batterie et le chargeur de batterie.			X

4.2 EXAMEN DES LAMES

1. Avant et après chaque usage, nettoyez les lames avec un détergent anti-corrosion pour éliminer tous les corps étrangers indésirables.

2. Inspectez les bords de la lame pour détecter les signes de dommages ou déformations.
3. Utilisez une lime pour ébavurer la lame.
4. Assurez-vous de l'absence d'obstacles bloquant le mouvement des lames.

4.3 NETTOYAGE ET LUBRIFICATION DES LAMES

1. Nettoyez les lames pour les débarrasser des matériaux indésirables avant et après chaque usage.
2. Lubrifiez les lames avant l'entreposage pour des périodes prolongées.

Note : Consultez votre centre d'entretien le plus proche pour en savoir plus sur les détergents et lubrifiants recommandés.

4.4 EXAMINEZ LA BATTERIE ET LE CHARGEUR DE BATTERIE

Inspectez soigneusement la batterie, le chargeur de batterie et le cordon de connexion du chargeur de batterie pour détecter tout signe de dommage, des pièces fissurées ou cassées par exemple. Remplacez si nécessaire.

4.5 NETTOYAGE DU PRODUIT

ATTENTION

- MAINTENEZ L'EAU À L'ÉCART DU COMPARTIMENT DE BATTERIE PENDANT LE NETTOYAGE POUR ÉVITER D'ENDOMMAGER LES COMPOSANTS ÉLECTRIQUES.
- NE NETTOYEZ PAS AVEC DE L'ALCOOL, DE L'ESSENCE, DE L'ACÉTONE OU D'AUTRES SOLVANTS CORROSIFS /VOLATILS. CES SUBSTANCES PEUVENT ENDOMMAGER LA STRUCTURE EXTERNE ET INTERNE DE VOTRE PRODUIT.
- NE FROTTEZ PAS AVEC DU PAPIER DE VERRE OU UNE BROSSE MÉTALLIQUE.

Nettoyez le produit après chaque utilisation avec de l'eau, un détergent neutre et un chiffon doux.

4.6 NETTOYAGE DE LA BATTERIE ET DU CHARGEUR DE BATTERIE

AVERTISSEMENT

NE NETTOYEZ PAS LA BATTERIE OU LE CHARGEUR DE BATTERIE AVEC DE L'EAU.

- Assurez-vous que la batterie, le chargeur de batterie et le compartiment de batterie sont propres et secs avant d'insérer la batterie dans le chargeur de batterie.
- Nettoyez les cosses de batterie avec un chiffon sec et doux.
- Nettoyez la surface de la batterie et du chargeur de batterie avec un chiffon sec et doux.

5 TRANSPORT, ENTREPOSAGE ET MISE AU REBUT

FR

5.1 TRANSPORT

- Toutes les pièces (électroniques) amovibles, comme le chargeur et la batterie, devraient être systématiquement déconnectées avant le transport.
- Évitez de transporter le produit par mauvais temps, si possible.
- Assurez-vous de couvrir adéquatement toutes les pièces électroniques exposées si le transport par mauvais temps est inévitable.
- Utilisez du ruban sur les contacts ouverts de la batterie et assurez-vous qu'elle est rangée en toute sécurité pour éviter tout mouvement.
- Les vitesses élevées combinées à la pluie et au vent pourraient forcer l'humidité dans les composants électroniques, entraînant des dysfonctionnements temporaires ou des défaillances permanentes.
- En cas de dysfonctionnement après le transport sous ces conditions, retirez la batterie et laissez les pièces sécher à l'air libre une fois arrivé à destination.

5.2 ENTREPOSAGE

Si le produit n'est pas utilisé pendant une période prolongée, une maintenance de stockage appropriée est nécessaire.

- Rangez le produit verrouillé pour éviter tout usage sans autorisation et tout dommage.
- Rangez le produit dans un endroit sec et bien ventilé.
- Rangez le produit hors de portée des enfants.

5.3 MISE AU REBUT DE LA BATTERIE, DU CHARGEUR DE BATTERIE ET DU PRODUIT

Les symboles sur le produit ou son emballage signifient que le produit n'est pas un déchet ménager. Recyclez-le auprès du point de recyclage destiné aux équipements électriques et électroniques. Vous contribuez ainsi à protéger l'environnement et les personnes.

Contactez vos autorités locales, le service de traitement des déchets ménagers ou votre revendeur pour en savoir plus sur la manière de recycler votre produit.

6 DÉPANNAGE

FR

PROBLÈME	CAUSE POSSIBLE	ACTION POSSIBLE
Le moteur ne démarre pas lorsque vous appuyez sur la gâchette.	La batterie n'est pas installée correctement.	Assurez-vous d'installer correctement la batterie dans le produit.
	La batterie est déchargée.	Rechargez la batterie.
Le produit dégage de la fumée durant le fonctionnement.	Le produit a été endommagé.	<ol style="list-style-type: none"> 1. Arrêtez le produit immédiatement. 2. Retirez la batterie. 3. Consultez votre centre d'entretien le plus proche.
Le moteur marche mais les lames ne bougent pas.	Le produit a été endommagé.	N'utilisez pas le produit. Consultez votre centre d'entretien le plus proche.
	Les lames sont bloquées.	Retirez la batterie puis dégagez les dents de tout blocage.
Vibration ou bruit excessif durant le fonctionnement.	Les vis et écrous sont mal serrés.	<ol style="list-style-type: none"> 1. Arrêtez le produit. 2. Retirez la batterie. 3. Vérifiez qu'elle n'est pas endommagée. 4. Contrôlez et serrez les vis et écrous desserrés.
	Le produit a été endommagé.	N'utilisez pas le produit. Consultez votre centre d'entretien le plus proche.

7 DONNÉES TECHNIQUES

FR

Voltage	60 V
Vitesse de la lame	4000(±10%) min ⁻¹
Longueur de la lame	26" (660 mm)
Capacité de coupe	1.1" (28 mm)
Modèle de batterie	LB60251 / LB6041 / LB6042 / LB6051 / LB6081 et autres BAC séries
Chargeur modèle	CAC801 / CH60R00 / CH60DP01 / CHDPC10A et autres CAC séries

La plage de température ambiante recommandée est de :

Situation	Température
Entreposage de produit	32 °F (0 °C) ~ 113 °F (45 °C)
Fonctionnement de produit	32 °F (0 °C) ~ 113 °F (45 °C)
Charge de batterie	39 °F (4 °C) ~ 104 °F (40 °C)
Fonctionnement de chargeur	39 °F (4 °C) ~ 104 °F (40 °C)
Entreposage de batterie	32 °F (0 °C) ~ 113 °F (45 °C)
Décharge de batterie	32 °F (0 °C) ~ 113 °F (45 °C)

8 GARANTIE LIMITÉE



Greenworks garantit par la présente ce produit, à l'acheteur original avec preuve d'achat, pour une période de quatre (4) ans contre tout défaut de matériaux, de pièces ou de main-d'œuvre. Greenworks, à sa propre discrétion, réparera ou remplacera toutes les pièces défectueuses, dans des conditions normales d'utilisation, sans frais pour le client. Cette garantie est valable uniquement pour les unités utilisées à des fins personnelles, qui n'ont pas été louées à des fins industrielles ou commerciales et

qui ont été entretenues conformément aux instructions du manuel de l'opérateur fourni avec le produit neuf.

ARTICLES NON COUVERTS PAR LA GARANTIE :

1. Toute pièce qui est devenue inopérante en raison d'une mauvaise utilisation, d'une utilisation commerciale, d'un abus, d'une négligence, d'un accident, d'un entretien inapproprié ou d'une modification; ou
2. L'unité si elle n'a pas été utilisée ou entretenue conformément au manuel de l'opérateur ; ou
3. Usure normale;
4. Articles d'entretien courant tels que lubrifiants, affûtage des lames;
5. Détérioration normale du fini extérieur due à l'utilisation ou à l'exposition.

ASSISTANCE TÉLÉPHONIQUE :

Le service de garantie est disponible en appelant notre ligne d'assistance téléphonique sans frais, au 1-855-345-3934.

FRAIS DE TRANSPORT :

Les frais de transport pour le déplacement de tout équipement motorisé ou accessoire sont à la charge de l'acheteur. Il incombe à l'acheteur de payer les frais de transport pour toute pièce retournée pour remplacement en vertu de la présente garantie, à moins qu'un tel retour soit demandé par écrit par Greenworks.

Adresse aux États-Unis :

Greenworks Tools

P.O. Box 1238, Mooresville, NC 28115

Adresse au Canada :

Greenworks Tools Canada Inc.

P.O. Box 93095, Newmarket, Ontario, L3Y 8K3

Adresse au Mexique :

TECNOLOGIA CAMPO Y JARDIN S.A. DE C.V.

ADMINISTRADORES No. 5336 A, COL. ARCOS DE GUADALUPE, ZAPOPAN, JALISCO, C.P. 45037

1	Introducción.....	26			
1.1	Descripción del producto.....	26	4.3	Limpieza y lubricación de las cuchillas.....	32
1.2	Uso previsto.....	26	4.4	Examine la batería y el cargador de batería.....	32
1.3	Perspectiva general del producto.....	26	4.5	Limpieza del producto.....	32
1.4	Símbolos en el producto.....	26	4.6	Limpieza de la batería y el cargador de baterías.....	32
1.5	Propuesta 65 de California.....	26			
2	Seguridad.....	26	5	Transporte, almacenamiento y eliminación.....	33
2.1	Definiciones de seguridad.....	26	5.1	Transporte.....	33
2.2	Advertencias generales sobre seguridad del producto.....	27	5.2	Almacenamiento.....	33
3	Funcionamiento.....	29	5.3	Eliminación de la batería, el cargador de batería y el producto.....	33
3.1	Antes de utilizar el producto.....	29	6	Solución de problemas.....	34
3.2	Arranque del producto.....	29	7	Datos técnicos.....	35
3.3	Manejo del producto.....	30	8	Garantía limitada.....	35
3.4	Rotación del asa trasera.....	30			
3.5	Parada del producto.....	30			
4	Mantenimiento.....	31			
4.1	Programa de mantenimiento.....	31			
4.2	Examen de las cuchillas.....	32			

1 INTRODUCCIÓN

1.1 DESCRIPCIÓN DEL PRODUCTO

Este producto es un cortasetos con funcionamiento a batería que dispone de un motor eléctrico.

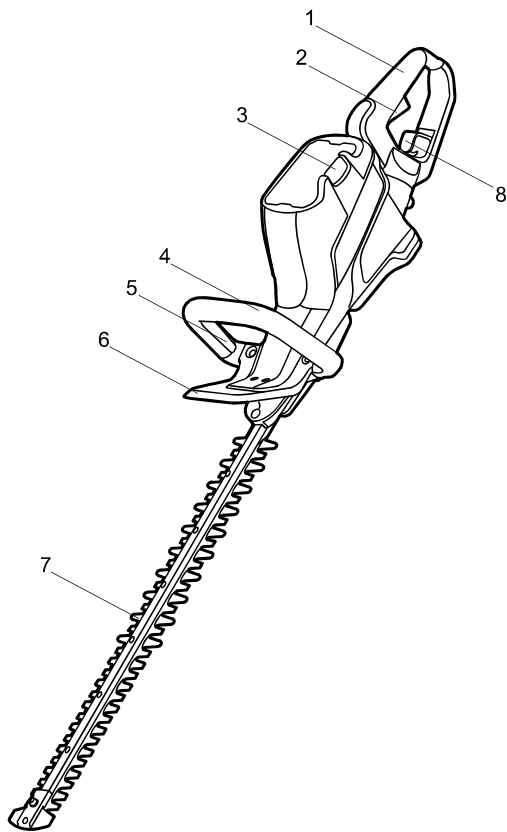
ES

Nos comprometemos a mejorar continuamente nuestros productos y nos reservamos el derecho a modificar el diseño y el aspecto sin previo aviso.

1.2 USO PREVISTO

Utilice el producto para cortar ramas y tallos. No utilice el producto para otras tareas.

1.3 PERSPECTIVA GENERAL DEL PRODUCTO



- | | |
|--|------------------------------|
| 1 Asa trasera | 6 Protección |
| 2 Gatillo | 7 Cuchillas |
| 3 Botón de desbloqueo de la batería | 8 Cierre de rotación del asa |
| 4 Asa delantera | |
| 5 Interruptor de seguridad del asa delantera | |

1.4 SÍMBOLOS EN EL PRODUCTO

Símbolo	Explicación
	Instrucciones importantes de seguridad.
	Para reducir el riesgo de lesiones, el usuario debe leer el manual de instrucciones.
	Lleve protección ocular y auditiva.
	No exponga a la lluvia.
	Mantenga las manos alejadas de la cuchilla.

1.5 PROPUESTA 65 DE CALIFORNIA

AVISO

ESTE PRODUCTO CONTIENE O EMITE UNA SUSTANCIA QUÍMICA CONOCIDA EN EL ESTADO DE CALIFORNIA COMO CAUSANTE DE CÁNCER O DEFECTOS DE NACIMIENTO U OTROS DAÑOS REPRODUCTIVOS.

2 SEGURIDAD

2.1 DEFINICIONES DE SEGURIDAD

Las advertencias, precauciones y notas se utilizan para señalar partes especialmente importantes del manual.

AVISO

EXISTE UN RIESGO DE LESIONES O MUERTE PARA EL OPERARIO O PARA OTRAS PERSONAS SI NO SE RESPETAN LAS INSTRUCCIONES DEL MANUAL.

PRECAUCIÓN

EXISTE UN RIESGO DE DAÑOS AL PRODUCTO, OTROS DAÑOS MATERIALES O EN LA ZONA ADYACENTE SI NO SE RESPETAN LAS INSTRUCCIONES DEL MANUAL.

Nota: Se utiliza para ofrecer más información de la necesaria en una situación determinada.

2.2 ADVERTENCIAS GENERALES SOBRE SEGURIDAD DEL PRODUCTO



AVISO

Lea todas las advertencias de seguridad, instrucciones, ilustraciones y especificaciones que se proporcionan con este producto. El incumplimiento de las instrucciones indicadas a continuación puede provocar descargas eléctricas, incendios o lesiones graves.

Guarde todas las advertencias e instrucciones para su consulta posterior.

El término "producto" empleado en las advertencias se refiere a su producto con funcionamiento de red (con cable) o producto con funcionamiento a batería (inalámbrico).

2.2.1 SEGURIDAD DE LA ZONA DE TRABAJO

- **Mantenga limpia y bien iluminada la zona de trabajo.** Las zonas desordenadas u oscuras fomentan los accidentes.
- **No utilice los productos en atmósferas explosivas como en la presencia de líquidos, gases o polvo que puedan inflamarse.** Los productos generan chispas que pueden encender el polvo o los gases.
- **Mantenga alejados a los niños y los transeúntes mientras utilice un producto.** Las distracciones pueden hacer que pierda el control.

2.2.2 SEGURIDAD ELÉCTRICA

- **Los enchufes del producto deben corresponder con la toma de corriente. Nunca modifique el enchufe en modo alguno. No utilice enchufes adaptadores con productos que tengan toma de tierra.** La utilización de enchufes no modificados y de tomas de corriente adecuadas reducirá el riesgo de descarga eléctrica.
- **Evite el contacto del cuerpo con superficies conectadas a tierra, como tuberías, radiadores, estufas y refrigeradores.** Existe un riesgo aumentado de descarga eléctrica si su cuerpo está conectado a tierra.
- **No exponga los productos a la lluvia ni a condiciones de humedad.** Si penetra agua en un producto, aumentará el riesgo de descarga eléctrica.
- **No abuse del cable. Nunca utilice el cable para transportar, tirar o desenchufar el producto. Mantenga el cable alejado del calor, el aceite, los bordes afilados o las piezas móviles.** Los cables dañados o enredados aumentan el riesgo de descarga eléctrica.
- **Cuando utilice un producto en exteriores, utilice un cable alargador adecuado para uso en**

exterior. La utilización de un cable adecuado para uso en exterior reduce el riesgo de descarga eléctrica.

- **Si es inevitable el uso de un producto en un lugar húmedo, utilice un suministro protegido por un dispositivo de corriente residual (RCD).** La utilización de un RCD reduce el riesgo de descarga eléctrica.

2.2.3 SEGURIDAD PERSONAL

- **Manténgase alerta, observe lo que está haciendo y emplee el sentido común cuando utilice un producto. No utilice un producto mientras esté cansado o bajo la influencia de drogas, alcohol o medicamentos.** Un momento de inatención durante el uso de los productos puede provocar lesiones personales graves.
- **Utilice equipos de protección personal. Lleve siempre protección ocular.** Si se utilizan equipos de protección como máscaras antipolvo, zapatos de seguridad antideslizantes, cascos o protecciones auditivas en las condiciones adecuadas, se reducirán las lesiones personales.
- **Evite el arranque accidental. Asegúrese de que el interruptor esté en la posición de apagado antes de conectar a la fuente de alimentación o a la batería, al coger o al transportar el producto.** El transporte de los productos con el dedo en el interruptor o la conexión de productos que tienen el interruptor activado fomenta los accidentes.
- **Retire cualquier llave de ajuste antes de encender el producto.** Una llave que se quede fijada a una pieza giratoria del producto puede provocar lesiones personales.
- **No se estire. Mantenga en todo momento una postura adecuada y el equilibrio.** Esto permite un mejor control del producto en situaciones inesperadas.
- **Lleve indumentaria adecuada. No lleve ropa o joyas sueltas. Mantenga el cabello y la ropa lejos de las piezas móviles.** La ropa suelta, las joyas o el cabello largo pueden quedar atrapados en las piezas móviles.
- **Si se utilizan dispositivos para la conexión de sistemas de extracción y recogida de polvo, asegúrese de que estén conectados y se utilicen correctamente.** La utilización de sistemas de recogida de polvo puede reducir los riesgos relacionados con el polvo.
- **No permita que la familiaridad adquirida con el uso frecuente de los productos le permita confiarse e ignorar los principios de seguridad de las herramientas.** Una acción descuidada puede provocar lesiones graves en una fracción de segundo.

2.2.4 USO Y CUIDADO DEL PRODUCTO

- **No fuerce el producto. Utilice el producto correcto para su aplicación.** *El producto correcto hará el trabajo mejor y con mayor seguridad a la velocidad para la que se diseñó.*
- **No utilice el producto si el interruptor de encendido no lo enciende y apaga.** *Cualquier producto que no pueda controlarse con el interruptor es peligroso y debe repararse.*
- **Desconecte el enchufe de la fuente de alimentación o retire la batería, si es extraíble, del producto antes de realizar ajustes, cambiar accesorios o almacenar productos.** *Estas medidas de seguridad preventivas reducen el riesgo de que el producto se ponga en marcha accidentalmente.*
- **Almacene los productos inactivos fuera del alcance de los niños y no permita que personas que no estén familiarizadas con el producto o estas instrucciones puedan utilizarlo.** *Los productos son peligrosos en manos de usuarios inexpertos.*
- **Realice el mantenimiento de los productos y accesorios. Compruebe si hay desalineación o unión de las piezas móviles, rotura de piezas y cualquier otra condición que pueda afectar al funcionamiento del producto. Si ha sufrido daños, lleve a reparar el producto antes del uso.** *Numerosos accidentes se deben a productos mal mantenidos.*
- **Mantenga limpias y afiladas las herramientas de corte.** *Las herramientas de corte mantenidas correctamente con filos cortantes tienen menos probabilidades de atascarse y son más fáciles de controlar.*
- **Utilice el producto, los accesorios, las brocas, etc., de acuerdo con estas instrucciones, teniendo en cuenta las condiciones de trabajo y el trabajo a realizar.** *El uso del producto para operaciones distintas de las previstas podría dar lugar a una situación peligrosa.*
- **Mantenga las asas y las superficies de agarre secas, limpias y sin restos de aceite y grasa.** *Las asas y las superficies de agarre resbaladizas no permiten un manejo y control seguros de la herramienta en situaciones inesperadas.*

2.2.5 UTILIZACIÓN Y CUIDADO DE HERRAMIENTAS A BATERÍA

- **Recargue solo con el cargador especificado por el fabricante.** *Un cargador adecuado para un tipo de batería puede dar lugar a un riesgo de incendio cuando se usa con otra batería.*
- **Utilice las máquinas únicamente con las baterías designadas específicamente.** *El uso de cualquier otra batería puede dar lugar a un riesgo de lesiones e incendio.*

- **Cuando la batería no esté en uso, manténgala alejada de otros objetos metálicos como clips, monedas, llaves, clavos, tornillos u otros objetos metálicos pequeños que puedan hacer una conexión entre los terminales.** *El cortocircuito de los terminales de la batería puede provocar quemaduras o un incendio.*
- **Bajo condiciones abusivas, es posible que salga líquido de la batería; evite el contacto.** **En caso de un contacto accidental, lavar con abundante agua. Si el líquido entra en contacto con los ojos, busque también atención médica.** *El líquido de la batería puede provocar irritación o quemaduras.*
- **No utilice una batería o un producto que haya sufrido daños o modificaciones.** *Las baterías dañadas o modificadas pueden exhibir un comportamiento impredecible que puede dar lugar a un incendio, una explosión o un riesgo de lesiones.*
- **No exponga la batería ni el producto al fuego ni a temperaturas excesivas.** *La exposición al fuego o a una temperatura superior a 265 °F (130 °C) puede provocar una explosión.*
- **Siga todas las instrucciones de carga y no cargue la batería ni el producto fuera del intervalo de temperatura especificado en las instrucciones.** *La carga incorrecta o a temperaturas fuera del intervalo especificado puede dañar la batería y aumentar el riesgo de incendio.*

2.2.6 SERVICIO

- **Solicite a un técnico de reparación cualificado que realice las tareas de servicio de su producto utilizando únicamente piezas de repuesto idénticas.** *Esto garantizará el mantenimiento de la seguridad del producto.*
- **Nunca repare las baterías dañadas.** *La reparación de las baterías únicamente debe ser realizada por el fabricante o los proveedores de servicio técnico autorizados.*

2.2.7 ADVERTENCIAS DE SEGURIDAD PARA CORTASETOS

- **Evite utilizar el cortasetos con mal tiempo, especialmente cuando exista un riesgo de rayos.** *Esto disminuye el riesgo de ser alcanzado por un rayo.*
- **Mantenga todos los cables de alimentación y de otro tipo alejados de la zona de corte.** *Los cordones o cables de alimentación pueden estar ocultos entre los arbustos o setos y ser cortados accidentalmente por la cuchilla.*
- **Lleve protección auditiva.** *Un equipo de protección adecuado reducirá el riesgo de pérdida auditiva.*
- **Sujete el cortasetos solo por las superficies de agarre aisladas, ya que la cuchilla de corte puede entrar en contacto con cableado oculto.**

Si las cuchillas entran en contacto con un cable "con corriente", esto puede hacer que las piezas metálicas expuestas del cortasetos "tengan corriente" y podrían producir una descarga eléctrica al operario.

- **Mantenga todas las partes del cuerpo alejadas de la cuchilla. No retire el material cortado ni sujete el material a cortar cuando las cuchillas se estén moviendo.** Las cuchillas continúan moviéndose después de desactivar el interruptor. Un momento de inatención durante el uso del cortasetos puede provocar lesiones personales graves.
- **Asegúrese de que todos los interruptores de alimentación estén apagados y se haya retirado o desconectado la batería antes de quitar el material atascado o realizar tareas de servicio en el cortasetos.** La puesta en marcha inesperada del cortasetos mientras se quita el material atascado o se realizan reparaciones puede provocar lesiones personales graves.
- **Transporte el cortasetos por el asa con la cuchilla parada y tenga cuidado de no accionar ningún interruptor de encendido.** El transporte adecuado del cortasetos reducirá el riesgo de que las cuchillas se pongan en marcha de forma involuntaria y se produzcan lesiones personales.
- **Cuando transporte o almacene el cortasetos, utilice siempre la cubierta de la cuchilla.** El manejo adecuado del cortasetos reducirá el riesgo de lesiones personales debidas a las cuchillas.

3 FUNCIONAMIENTO

Esta sección describe el funcionamiento del producto.

⚠ AVISO

DEBE LEER DETENIDAMENTE Y ENTENDER EL CAPÍTULO DE SEGURIDAD Y LAS INSTRUCCIONES DE FUNCIONAMIENTO ANTES DE UTILIZAR EL PRODUCTO.

3.1 ANTES DE UTILIZAR EL PRODUCTO

3.1.1 CONEXIÓN DEL CARGADOR BATERÍA

1. Conecte el cargador de batería al voltaje y la frecuencia adecuada que se especifica en la placa de características.
2. Consulte el Manual del operador del cargador de batería para obtener información sobre cómo usar el cargador de batería.

3.1.2 CARGA DE LA BATERÍA

Consulte el manual del operario del cargador de batería para obtener información sobre su uso.

3.1.3 INFORMACIÓN DE LA BATERÍA

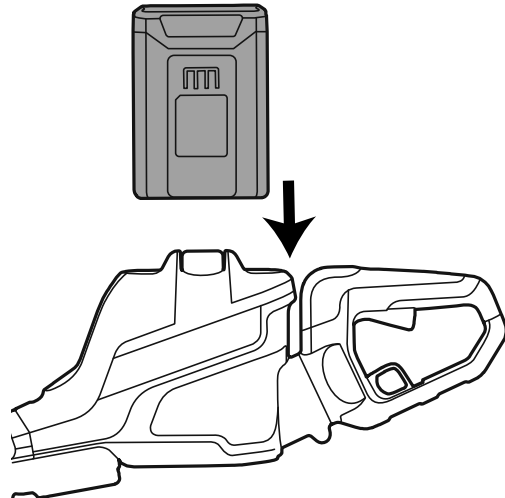
Consulte el manual del operario de la batería para obtener información sobre su uso.

3.1.4 CONEXIÓN DE LA BATERÍA AL PRODUCTO

⚠ AVISO

UTILICE ÚNICAMENTE BATERÍAS ORIGINALES DE GREENWORKS CON EL PRODUCTO.

1. Asegúrese de que la batería esté totalmente cargada.
2. Empuje la batería para introducirla en el compartimento de la batería. La batería se bloquea en su posición cuando se oye un clic.



⚠ PRECAUCIÓN

SI LA BATERÍA NO SE MUEVE CON FACILIDAD EN EL COMPARTIMENTO DE LA BATERÍA, ES POSIBLE QUE NO SE HAYA INSTALADO CORRECTAMENTE, LO QUE PUEDE OCASIONAR DAÑOS A LA BATERÍA O AL PRODUCTO.

3. Asegúrese de que la batería esté correctamente instalada.

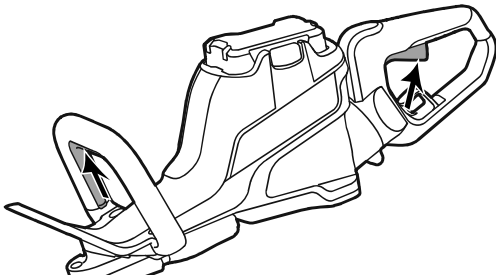
3.2 ARRANQUE DEL PRODUCTO

1. Sujete el asa delantera con una mano y tire del interruptor de seguridad del asa delantera.
2. Con la otra mano, sujete el asa trasera y apriete el gatillo.

⚠ AVISO

SUJETE SIEMPRE EL PRODUCTO CON AMBAS MANOS DURANTE EL FUNCIONAMIENTO.

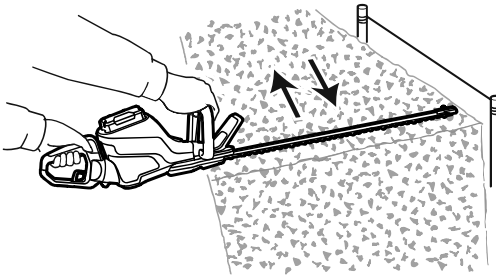
ES



3.3 MANEJO DEL PRODUCTO

3.3.1 CORTE SUPERIOR

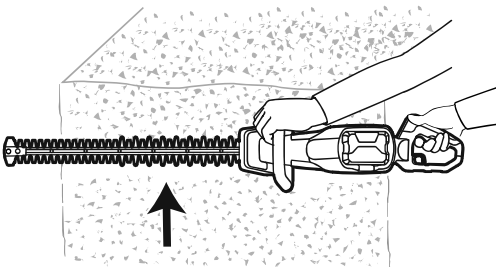
1. Sujete el cortasetos con ambas manos y realice un amplio movimiento de barrido.
2. Ate una cuerda a la altura deseada y recorte a lo largo de esta.



3. Tenga cuidado y utilice el cortasetos lentamente.

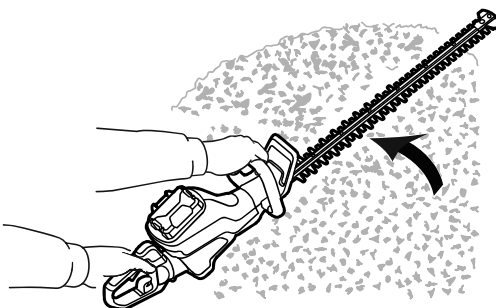
3.3.2 CORTE LATERAL

1. Para garantizar un corte uniforme de un lateral del seto, recorte desde abajo hacia arriba.



3.3.3 CORTE REDONDO

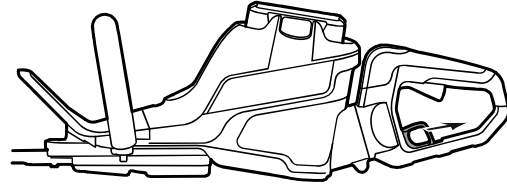
1. Para conseguir uniformidad, recorte la planta desde la base o raíz hacia arriba hasta la parte superior.



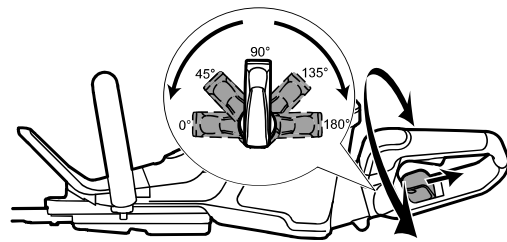
3.4 ROTACIÓN DEL ASA TRASERA

El asa trasera ofrece 5 posiciones ajustables y puede girar 180°.

1. Tire del cierre de rotación del asa para girar el asa.

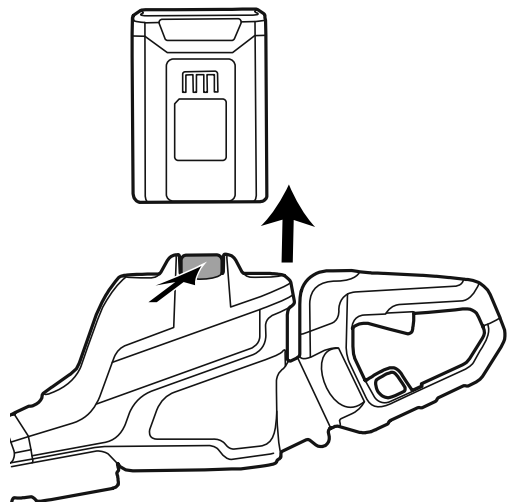


2. Gire el asa trasera hasta que oiga un clic, indicando que ha quedado bien bloqueada en su posición.



3.5 PARADA DEL PRODUCTO

1. Suelte el gatillo hasta que las cuchillas dejen de moverse por completo.
2. Pulse y mantenga pulsado el botón de desbloqueo de la batería.
3. Retire la batería del producto para detener por completo su funcionamiento.



4 MANTENIMIENTO

i IMPORTANTE

Debe leer detenidamente y entender los reglamentos de seguridad y las instrucciones de mantenimiento antes de limpiar, reparar o realizar tareas de mantenimiento en el producto (referencia a los reglamentos de seguridad y las instrucciones de mantenimiento).

ES

! AVISO

- **RETIRE LA BATERÍA O BATERÍAS DEL PRODUCTO ANTES DE REALIZAR CUALQUIER TAREA DE MANTENIMIENTO.**
- **EL INCUMPLIMIENTO DE LAS TAREAS DE MANTENIMIENTO ADECUADAS, EL USO DE PIEZAS DE REPUESTO DE TERCEROS O LA MODIFICACIÓN/ELIMINACIÓN DE COMPONENTES PUEDE PROVOCAR LESIONES AL USUARIO.**

4.1 PROGRAMA DE MANTENIMIENTO

A continuación figura una lista de los pasos de mantenimiento que deben realizarse en el producto.

Mantenimiento	Antes del uso	Semanal	Mensual
Limpie las partes externas del producto.	X		
Para garantizar un funcionamiento seguro, verifique que el gatillo y el interruptor de seguridad del asa delantera funcionen correctamente.	X		
Asegúrese de que todos los controles funcionen correctamente y no estén dañados.	X		
Inspeccione la cuchilla y el protector de la cuchilla en busca de signos de daños, como grietas. Sustituya la cuchilla o el protector de la cuchilla si presentan grietas o si han estado expuestos a impactos.	X		
Sustituya la cuchilla si está doblada o dañada.	X		
Inspeccione la protección de la mano en busca de signos de daños, como grietas. Sustituya la protección si presenta daños.	X		
Asegúrese de que los tornillos y las tuercas estén apretados.	X		
Asegúrese de que la batería no presente daños.	X		
Asegúrese de que la batería esté cargada.	X		
Asegúrese de que el cargador de la batería no presente daños.	X		
Asegúrese de que los tornillos que sujetan las cuchillas estén bien apretados.		X	
Realice una comprobación exhaustiva de la conexión entre la batería y el producto. Adicionalmente, examine la conexión entre la batería y el cargador de la batería.			X

ES

4.2 EXAMEN DE LAS CUCHILLAS

1. Antes y después de cada uso, limpie las cuchillas con un producto de limpieza anticorrosión para eliminar cualquier material no deseado.
2. Inspeccione los bordes de la cuchilla para detectar cualquier señal de daños o deformación.
3. Utilice una lima para eliminar las rebabas de la cuchilla.
4. Asegúrese de que no haya obstáculos que impidan el movimiento de las cuchillas.

4.3 LIMPIEZA Y LUBRICACIÓN DE LAS CUCHILLAS

1. Limpie las cuchillas de materiales no deseados antes y después de cada uso.
2. Lubrique las cuchillas antes de almacenarlas durante periodos prolongados de tiempo.

Nota: consulte con el centro de servicio más cercano para obtener información adicional sobre los productos de limpieza y lubricantes recomendados.

4.4 EXAMINE LA BATERÍA Y EL CARGADOR DE BATERÍA.

Inspeccione cuidadosamente la batería, el cargador de batería y el cable de conexión del cargador de batería para detectar indicios de daño, como grietas o piezas rotas. Sustituir si es necesario.

4.5 LIMPIEZA DEL PRODUCTO

⚠ PRECAUCIÓN

- MANTENGA EL AGUA ALEJADA DEL COMPARTIMENTO DE LA BATERÍA DURANTE LA LIMPIEZA PARA EVITAR DAÑAR LOS COMPONENTES ELÉCTRICOS.
- NO LIMPIE CON ALCOHOL, GASOLINA, ACETONA U OTROS DISOLVENTES CORROSIVOS/VOLÁTILES. ESTAS SUSTANCIAS PUEDEN DAÑAR LA ESTRUCTURA EXTERNA E INTERNA DE SU PRODUCTO.
- NO FROTE CON PAPEL DE LIJA O CEPILLO METÁLICO.

Limpie el producto después de cada uso con agua, detergente neutro y un paño suave.

4.6 LIMPIEZA DE LA BATERÍA Y EL CARGADOR DE BATERÍAS

⚠ AVISO

NO LIMPIE LA BATERÍA NI EL CARGADOR DE BATERÍAS CON AGUA.

- Asegúrese de que la batería, el cargador de baterías y el compartimento de la batería estén limpios y secos antes de insertar la batería en el cargador de baterías.
- Limpie los terminales de la batería con un paño suave y seco.
- Limpie la superficie de la batería y el cargador de baterías con un paño suave y seco.

5 TRANSPORTE, ALMACENAMIENTO Y ELIMINACIÓN

5.1 TRANSPORTE

- Todas las piezas desmontables (electrónicas), como el cargador y la batería, deben desconectarse siempre del producto antes del transporte.
- Siempre que sea posible, evite transportar el producto en condiciones meteorológicas adversas.
- Asegúrese de cubrir bien las piezas electrónicas al descubierto si es inevitable el transporte en condiciones climáticas adversas.
- Utilice cinta adhesiva en los contactos abiertos de la batería y asegúrese de que esté bien guardada para evitar que se mueva.
- Las altas velocidades, junto con el viento y la lluvia, pueden ocasionar la entrada de humedad a presión en los componentes electrónicos, lo que puede provocar fallos de funcionamiento temporales o defectos permanentes.
- En caso de producirse un fallo de funcionamiento tras el transporte en tales condiciones, retire la batería y deje que todas las piezas se sequen al aire cuando llegue a su destino.

5.2 ALMACENAMIENTO

Si el producto no se utiliza durante un periodo prolongado, es necesario realizar un mantenimiento adecuado durante el almacenamiento.

- Almacene el producto bloqueado para evitar su uso no autorizado o daños.
- Almacene el producto en una zona seca y bien ventilada.
- Almacene el producto fuera del alcance de los niños.

5.3 ELIMINACIÓN DE LA BATERÍA, EL CARGADOR DE BATERÍA Y EL PRODUCTO

Los símbolos en el producto o en el embalaje del producto significan que el producto no es un desecho doméstico. Recíclalo en un centro de reciclaje de aparatos eléctricos y electrónicos. Esto ayuda a evitar daños al medio ambiente y las personas.

Póngase en contacto con las autoridades locales, el servicio de recogida de desechos domésticos o su distribuidor para obtener más información sobre cómo reciclar el producto.

6 SOLUCIÓN DE PROBLEMAS

ES

PROBLEMA	POSIBLE CAUSA	POSIBLE ACCIÓN
El motor no se pone en marcha cuando aprieta el gatillo.	La batería no se ha instalado correctamente.	Asegúrese de instalar correctamente la batería en el producto.
	La batería se ha agotado.	Cargue la batería.
El producto libera humo durante el funcionamiento.	El producto ha sufrido daños.	<ol style="list-style-type: none"> 1. Detenga el producto inmediatamente. 2. Retire la batería. 3. Consulte con el centro de servicio más cercano.
El motor está en marcha, pero las cuchillas no se mueven.	El producto ha sufrido daños.	No use el producto. Consulte con el centro de servicio más cercano.
	Las cuchillas están bloqueadas.	Retire la batería y posteriormente elimine el bloqueo de las cuchillas.
Vibración o ruido excesivo durante el funcionamiento.	El tornillo y las tuercas no se han apretado correctamente.	<ol style="list-style-type: none"> 1. Detener el producto. 2. Retire la batería. 3. Inspeccione si hay daños. 4. Compruebe y apriete los tornillos y las tuercas que se hayan aflojado.
	El producto ha sufrido daños.	No use el producto. Consulte con el centro de servicio más cercano.

7 DATOS TÉCNICOS

Tensión	60 V
Velocidad de la cuchilla	4000(±10%) min ⁻¹
Longitud de cuchilla	26" (660 mm)
Capacidad de corte	1.1" (28 mm)
Modelo de batería	LB60251 / LB6041 / LB6042 / LB6051 / LB6081 y otras series BAC
Modelo de cargador	CAC801 / CH60R00 / CH60DP01 / CHDPC10A y otras series CAC

Intervalos recomendados de temperatura ambiente:

Situación	Temperatura
Almacenamiento del producto	32 °F (0 °C) ~ 113 °F (45 °C)
Funcionamiento del producto	32 °F (0 °C) ~ 113 °F (45 °C)
Carga de la batería	39 °F (4 °C) ~ 104 °F (40 °C)
Funcionamiento del cargador	39 °F (4 °C) ~ 104 °F (40 °C)
Almacenamiento de la batería	32 °F (0 °C) ~ 113 °F (45 °C)
Descarga de la batería	32 °F (0 °C) ~ 113 °F (45 °C)

8 GARANTÍA LIMITADA



Por la presente Greenworks garantiza este producto, al comprador original con el comprobante de compra, durante un periodo de cuatro (4) años frente a defectos en materiales, piezas o mano de obra. A su entera discreción Greenworks reparará o sustituirá cualquiera y todas las piezas que resulten ser defectuosas, con un uso normal, sin coste alguno para el cliente. Esta garantía es válida únicamente para unidades que se hayan utilizado para uso personal que no han sido arrendadas o alquiladas para uso industrial/comercial y cuyo mantenimiento

se ha realizado de acuerdo con las instrucciones del manual del operario suministrado con el producto nuevo.

ARTÍCULOS NO CUBIERTOS POR LA GARANTÍA:

1. Cualquier pieza que no funcione debido a mal uso, uso comercial, abuso, negligencia, accidente, mantenimiento inadecuado o alteración; o
2. La unidad, si no ha sido utilizada o mantenida de acuerdo con el manual del operario; o
3. Desgaste normal;
4. Artículos de mantenimiento de rutina tales como lubricantes, afilado de cuchillas;
5. Deterioro normal del acabado exterior debido al uso o la exposición.

LÍNEA DE ASISTENCIA TELEFÓNICA:

Puede contactar con el servicio de garantía llamando a nuestra línea de asistencia telefónica gratuita, a 1-855-345-3934.

COSTES DE TRANSPORTE:

Los costes de transporte por el desplazamiento de cualquier unidad o accesorio de equipos eléctricos son responsabilidad del comprador. Es responsabilidad del comprador pagar los costes de transporte de cualquier pieza enviada para su sustitución bajo esta garantía, a menos que dicha devolución sea solicitada por escrito por Greenworks.

Dirección en EE.UU.:

Greenworks Tools

P.O. Box 1238, Mooresville, NC 28115

Dirección en Canadá:

Greenworks Tools Canada, Inc.

P.O. Box 93095, Newmarket, Ontario, L3Y 8K3

Dirección en México:

TECNOLOGIA CAMPO Y JARDIN S.A. DE C.V.

ADMINISTRADORES No. 5336 A, COL. ARCOS DE GUADALUPE, ZAPOPAN, JALISCO, C.P. 45037

greenworks[®]

www.greenworkstools.com

