

greenworks

pro™

PH80B00

EN HEDGE TRIMMER

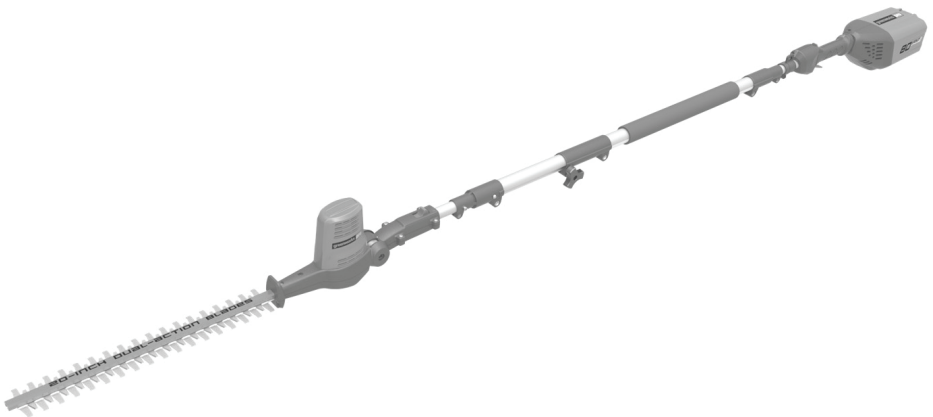
OPERATOR MANUAL

FR TAILLE-HAIE

MANUEL OPÉRATEUR

ES CORTADOR DE SETOS

MANUAL DEL OPERADOR



PTB308

www.greenworkstools.com

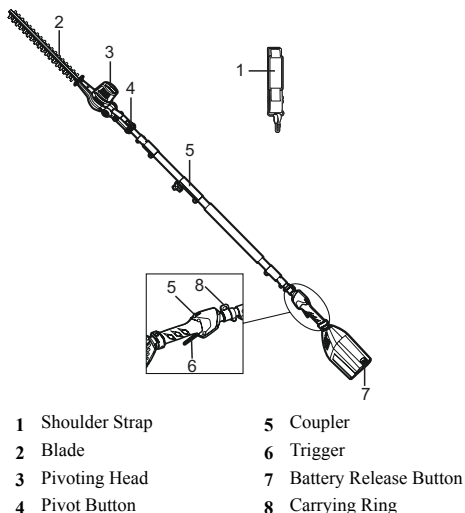
1	Description.....	4	8	Unpack the machine.....	7
1.1	Purpose.....	4	8.1	Connect the poles.....	7
1.2	Overview.....	4	8.2	Attach machine to shoulder strap.....	7
2	General power tool safety		8.3	Install the battery pack.....	8
	warnings.....	4	8.4	Remove the battery pack.....	8
2.1	Work area safety.....	4	9	Operation.....	8
2.2	Electrical safety.....	4	9.1	Start the machine.....	8
2.3	Personal safety.....	4	9.2	Stop the machine.....	8
2.4	Power tool use and care.....	4	9.3	Adjust the trimmer head angle.....	9
2.5	Battery tool use and care.....	5	9.4	Operation tips.....	9
2.6	Service.....	5	10	Maintenance.....	9
2.7	Hedge trimmer safety warnings.....	5	10.1	Clean the machine.....	9
3	Proposition 65.....	5	10.2	Lubricate the blade.....	9
4	Child safety.....	5	11	Store the machine.....	9
5	Symbols on the product.....	5	12	Troubleshooting.....	10
6	Risk levels.....	6	13	Technical data.....	10
7	Environmentally safe battery		14	Limited warranty.....	10
	disposal.....	6	15	Exploded view.....	11

1 DESCRIPTION

1.1 PURPOSE

This machine is intended for cutting and trimming hedges and bushes in domestic use.

1.2 OVERVIEW



- | | |
|------------------|--------------------------|
| 1 Shoulder Strap | 5 Coupler |
| 2 Blade | 6 Trigger |
| 3 Pivoting Head | 7 Battery Release Button |
| 4 Pivot Button | 8 Carrying Ring |

2 GENERAL POWER TOOL SAFETY WARNINGS

▲ WARNING

Read all safety warnings and all instructions. Failure to follow the warnings and instructions may result in electric shock, fire and/or serious injury.

Save all warnings and instructions for future reference.

The term "power tool" in the warnings refers to your battery-operated (cordless) power tool.

2.1 WORK AREA SAFETY

- **Keep work area clean and well lit.** Cluttered or dark areas invite accidents.
- **Do not operate power tools in explosive atmospheres, such as in the presence of flammable liquids, gases or dust.** Power tools create sparks which may ignite the dust or fumes.
- **Keep children and bystanders away while operating a power tool.** Distractions can cause you to lose control.

2.2 ELECTRICAL SAFETY

- **Do not expose power tools to rain or wet conditions.** Water entering a power tool will increase the risk of electric shock.

2.3 PERSONAL SAFETY

- **Stay alert, watch what you are doing and use common sense when operating a power tool. Do not use a power tool while you are tired or under the influence of drugs, alcohol or medication.** A lapse of attention while operating power tools may result in serious personal injury.
- **Use personal protection. Always wear eye protection.** Protective products such as dust mask, non-skid safety shoes, hard hat or hearing protection used appropriately will reduce personal injuries.
- **Prevent unintentional starting. Ensure the switch is in the off position before connecting to power source and/or battery pack and when picking up or carrying the tool.** Carrying power tools with your finger on the switch or energizing power tools that have the switch on invites accidents.
- **Do not over-reach. Keep proper footing and balance at all times.** This enables better control of the power tool in unexpected situations.
- **Dress properly. Do not wear loose clothing or jewellery. Keep your hair, clothing and gloves away from moving parts.** Loose clothes, jewellery or long hair can be caught in moving parts.

2.4 POWER TOOL USE AND CARE

- **Do not force the power tool. Use the correct power tool for your application.** The correct power tool will do the job better and safer at the rate for which it was designed.
- **Do not use the power tool if the switch does not turn it on and off.** Any power tool that cannot be controlled with the switch is dangerous and must be repaired.
- **Disconnect the plug from the power source and/or the battery pack from the power tool before making any adjustments, changing accessories, or storing power tools.** Such preventive safety measures reduce the risk of starting the power tool accidentally.
- **Store idle power tools out of the reach of children and do not allow persons unfamiliar with the power tool or these instructions to operate the power tool.** Power tools are dangerous in the hands of untrained users.
- **Maintain power tools. Check for misalignment or binding of moving parts, breakage of parts and any other condition that may affect the power tool's operation.** If damaged, have the power tool repaired before use. Many accidents are caused by poorly maintained power tools.
- **Keep cutting tools sharp and clean.** Properly maintained cutting tools with sharp cutting edges are less likely to bind and are easier to control.

- Use the power tool, accessories and tool bits etc. in accordance with these instructions, taking into account the working conditions and the work to be performed. Use of the power tool for operations different from those intended could result in a hazardous situation.

2.5 BATTERY TOOL USE AND CARE

- **Recharge only with the charger specified by the manufacturer.** A charger that is suitable for one type of battery pack may create a risk of fire when used with another battery pack.
- **Use power tools only with specifically designated battery packs.** Use of any other battery packs may create a risk of injury and fire.
- **When battery pack is not in use, keep it away from other metal objects like paper clips, coins, keys, nails, screws, or other small metal objects that can make a connection from one terminal to another.** Shorting the battery terminals together may cause burns or fire.
- **Under abusive conditions, liquid may be ejected from the battery; avoid contact. If contact accidentally occurs, flush with plenty of soap and water. If liquid contacts eyes, immediately seek medical help.** Liquid ejected from the battery may cause irritation or burns.

2.6 SERVICE

- **Have your power tool serviced by a qualified repair person using only identical replacement parts.** This will ensure that the safety of the power tool is maintained.

2.7 HEDGE TRIMMER SAFETY WARNINGS

- **Use both hands when operating the hedge trimmer.** Using one hand could cause loss of control and result in serious personal injury.
- **Keep all parts of the body away from the cutter blade. Do not remove cut material or hold material to be cut when blades are moving. Blades coast after turn off. Make sure the switch is off when clearing jammed material.** A moment of inattention while operating the hedge trimmer may result in serious personal injury.
- **Carry the power tool by the handle with the cutter blade stopped. When transporting or storing the power tool always fit the cutting device cover.** Proper handling of the hedge trimmer will reduce possible personal injury from the cutter blades.
- **Hold the power tool by insulated gripping surfaces only, because the cutter blade may contact hidden wiring.** Cutter blades contacting a "live" wire may make exposed metal parts of the power tool "live" and could give the operator an electric shock.
- **DANGER – Keep hands away from blade.** Contact with blade will result in serious personal injury.
- **Keep cable away from cutting area.** During operation the cable may be hidden in shrubs and can be accidentally cut by the blade.

- **Always store idle power tools indoors.** When not in use, power tools should be stored indoors in a dry place, out of reach of children.
- **Do not use the power tool in bad weather conditions, especially when there is a risk of lightning.** This decreases the risk of being struck by lightning.
- **Avoid body contact with earthed or grounded surfaces, such as pipes, radiators, ranges and refrigerators.** There is an increased risk of electric shock if your body is earthed or grounded.

3 PROPOSITION 65

▲ WARNING

This product contains a chemical known to the state of California to cause cancer, birth defects or other reproductive harm. Some dust created by power sanding, sawing, grinding, drilling, and other construction activities contains chemicals known to cause cancer, birth defects or other reproductive harm. Some examples of these chemicals are:

- Lead from lead-based paints;
- Crystalline silica from bricks and cement and other masonry products;
- Arsenic and chromium from chemically treated lumber.

Your risk of exposure to these chemicals varies depending on how often you do this type of work. To reduce your exposure to these chemicals, work in a well-ventilated area, and work with approved safety equipment, such as dust masks that are specially designed to filter out microscopic particles.

Save these instructions.

4 CHILD SAFETY











Tragic accidents can occur if the operator is not aware of the presence of children.

- Keep children out of the working area and under the watchful care of a responsible adult.
- Do not allow children under the age of 14 to operate this machine. Children who are 14 years of age and older must read and understand the operating instructions and safety rules in this manual and must be trained and supervised by a parent.
- Stay alert, and turn the machine off if a child or any other person enters the working area.
- Use extreme care when approaching blind corners, doorways, shrubs, trees, or other objects that may obscure your view of a child who may run into the path of the machine.

5 SYMBOLS ON THE PRODUCT



Some of the following symbols may be used on this product. Please study them and learn their meaning. Proper


interpretation of these symbols will allow you to operate the product better and safer.

Symbol	Explanation
	Precautions that involve your safety.
	Read and understand all instructions before operating the product, and follow all warnings and safety instructions.
	Wear eye protection.
	Thrown objects can ricochet and result in personal injury or property damage. Wear protective clothing and boots.
	Wear non-slip, heavy duty gloves.
	Keep all bystanders at least 15m away.
	DANGER! Risk of electrocution! Keep tool 50 feet away from electrical lines. Keep all bystanders at least 50 ft. away.
	Do not expose the product to rain or moist conditions.
	Danger – keep hands and feet away from blade.
	Wear head protection.

6 RISK LEVELS

The following signal words and meanings are intended to explain the levels of risk associated with this product.

SYM-BOL	SIGNAL	MEANING
	DANGER	Indicates an imminently hazardous situation, which, if not avoided, will result in death or serious injury.
	WARNING	Indicates a potentially hazardous situation, which, if not avoided, could result in death or serious injury.

SYM-BOL	SIGNAL	MEANING
	CAUTION	Indicates a potentially hazardous situation, which, if not avoided, may result in minor or moderate injury.
	CAUTION	(Without Safety Alert Symbol) Indicates a situation that may result in property damage.

7 ENVIRONMENTALLY SAFE BATTERY DISPOSAL



The toxic and corrosive materials below are in the batteries used in this machine: **Lithium-Ion, a toxic material.**

▲ WARNING

Discard all toxic materials in a specified manner to prevent contamination of the environment. Before discarding damaged or worn out Li-ion battery, contact your local waste disposal agency, or the local Environmental Protection Agency for information and specific instructions. Take the batteries to a local recycling and/or disposal center, certified for lithium-ion disposal.

▲ WARNING

If the battery pack cracks or breaks, with or without leaks, do not recharge it and do not use. Discard it and replace with a new battery pack. **DO NOT TRY TO REPAIR IT!** To prevent injury and risk of fire, explosion, or electric shock, and to avoid damage to the environment:

- Cover the terminals of the battery with heavy-duty adhesive tape.
- DO NOT try to remove or destroy any of the battery pack components.
- DO NOT try to open the battery pack.
- If a leak develops, the released electrolytes are corrosive and toxic. DO NOT get the solution in the eyes or on skin, and do not swallow it.
- DO NOT put these batteries in your regular household trash.
- DO NOT incinerate.
- DO NOT put them where they will become part of any waste landfill or municipal solid waste stream.
- Take them to a certified recycling or disposal center.

8 UNPACK THE MACHINE

▲ WARNING

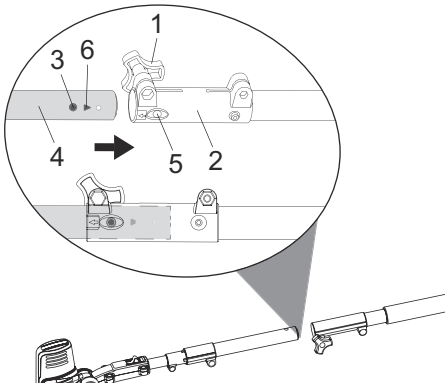
Make sure that you correctly assemble the machine before use.

▲ WARNING

- If the parts have damage, do not use the machine.
- If you do not have all the parts, do not operate the machine.
- If the parts are damaged or missing, speak to the service center.

1. Open the package.
2. Read the documentation in the box.
3. Remove all the unassembled parts from the box.
4. Remove the machine from the box.
5. Discard the box and package in compliance with local regulations.

8.1 CONNECT THE POLES

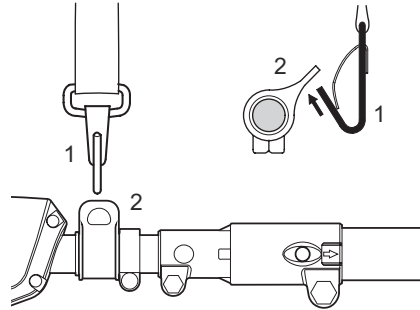


1. Loosen the knob (1) on the coupler (2).
2. Push in the release button (3) located on the left pole (4).
3. Align the release button with the positioning hole (5) with the direction of the arrow (6) and slide the two poles together.
4. Rotate the lower pole until the button locks into the positioning hole.

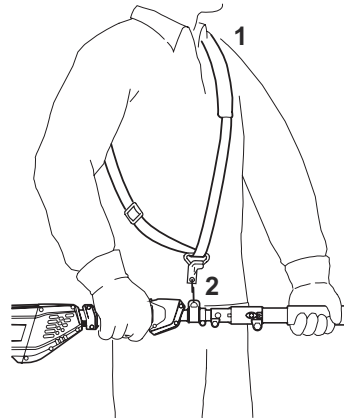
▲ WARNING

Periodically check the connections to ensure that they are tightened securely.

8.2 ATTACH MACHINE TO SHOULDER STRAP

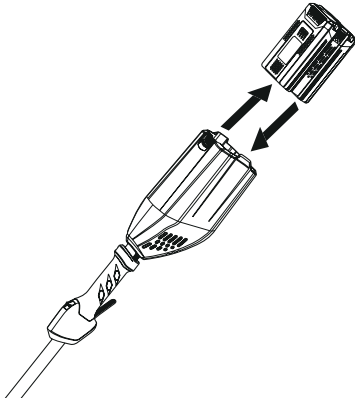


1. Attach the carabiner to the carrying ring on the drive tube.



2. Put on the shoulder strap.
3. Adjust the length of the strap so that the carabiner is about a hand's width below your right hip.

8.3 INSTALL THE BATTERY PACK



▲ WARNING

- If the battery pack or charger is damaged, replace the battery pack or the charger.
- Stop the machine and wait until the motor stops before you install or remove the battery pack.
- Read, know, and do the instructions in the battery and charger manual.

1. Align the lift ribs on the battery pack with the grooves in the battery compartment.
2. Push the battery pack into the battery compartment until the battery pack locks into place.
3. When you hear a click, the battery pack is installed.

8.4 REMOVE THE BATTERY PACK

1. Push and hold the battery release button.
2. Remove the battery pack from the machine.

9 OPERATION

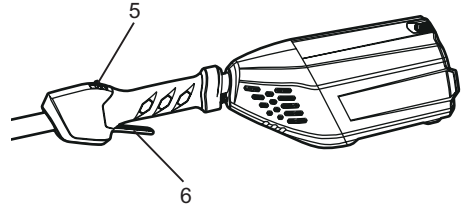
- Do not put your fingers into the notches or in position where they can get cut.
- Do not touch the blade unless you remove the battery pack.
- Do not use the machine if the blade is damaged or bent.
- Remove all objects such as cords, lights, wire, or string which can become entangled in the cutting blade and create a risk of personal injury.

▲ WARNING

If the blade jams on an electrical cord or line, DO NOT TOUCH THE BLADE! IT CAN BE LIVE AND DANGEROUS. Do the steps below:

1. Hold the insulated rear handle or put the machine down and away from you.
2. Disconnect the electrical service to the damaged line or cord before you try to free the blade.

9.1 START THE MACHINE



1. Pull the safety lock button using your thumb and then squeeze the trigger.
2. Release the safety lock button.

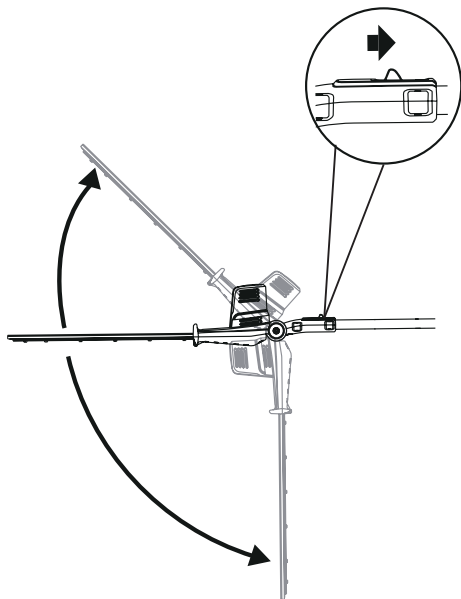
▲ WARNING

Hold the machine with two hands during operation.

9.2 STOP THE MACHINE

1. Release the trigger to stop the machine.

9.3 ADJUST THE TRIMMER HEAD ANGLE



The trimmer head can be locked into 7 positions.

1. Pull the pivot button and move the head forward or backward to your desired position.
2. Release the pivot button.
3. Check that the trimmer head locks in place securely.

9.4 OPERATION TIPS

- Start by trimming the top of the hedge. Slightly tilt the tool (up to 15° relative to the line of cut) so that the blade tips point slightly towards the hedge. This will cause the blades to cut more effectively. Hold the tool at the desired angle and move it steadily along the line of cut. The doublesided blade allows you to cut in either direction.
- In order to obtain a very straight cut, stretch a piece of string along the length of the hedge at the desired height. Use the string as a guideline, cutting just above it.
- In order to obtain flat sides, cut upwards with the growth. Younger stems move outwards when the blade cuts downwards, causing shallow patches in the hedge.
- Take care to avoid any foreign objects. Especially avoid hard objects such as metal wire and railings, as these could damage the blades.
- Regularly oil the blades.

▲ WARNING

Keep hands away from blade while operating. Contact with blade will result in serious personal injury.

10 MAINTENANCE

▲ CAUTION

Do not let brake fluids, gasoline, petroleum-based materials touch the plastic parts. Chemicals can cause damage to the plastic, and make the plastic unserviceable.

▲ CAUTION

Do not use strong solvents or detergents on the plastic housing or components.

▲ WARNING

Remove the battery pack from the machine before maintenance.

10.1 CLEAN THE MACHINE

▲ WARNING

Keep the machine and the motor free of leaves, branches or excessive oil to prevent fire risks.

- Use a moist cloth with a mild detergent to clean the machine.
- Clean all moisture with a soft dry cloth.
- Use a small brush to clean the air vents.

10.2 LUBRICATE THE BLADE

To increase the efficiency and life of the blades, lubricate them carefully after each work session:

- Put the machine on a flat and smooth surface.
- Use a soft cloth to clean the blades and a brush to remove more dirt.
- Use a light layer of oil to lubricate the blades along the top edge of the blade.

i NOTE

We recommend to use the non-pollutant type oil.

11 STORE THE MACHINE

i NOTE

Clean the machine before storage.

1. Remove the battery pack.
2. Let the motor cool.
3. Check that there are no loose or damaged components. If it is necessary, replace the damaged components, tighten screws and bolts, or speak to a person of an approved service center.
4. Store the machine in a cool and dry location.

12 TROUBLESHOOTING

Problem	Possible cause	Solution
The motor shuts down whilst working.	The battery pack is not installed tightly.	Make sure that you tightly installed the battery pack in the machine.
	The battery pack is out of power.	Charge the battery pack.
	The machine has damage.	Do not use the machine and speak to service center.
The machine smokes during operation.	The machine has damage.	<ol style="list-style-type: none"> 1. Immediately stop the machine. 2. Remove the battery. 3. Speak to service center.
The motor is on, blades do not move.	The machine has damage.	Do not use the machine and speak to service center.
	The blades are blocked.	Remove battery then clear blockage from the blades.
Too much noise and/or vibration is experienced while working.	The parts are loosened.	<ol style="list-style-type: none"> 1. Stop the machine. 2. Remove the battery. 3. Inspect for damage. 4. Check and tighten loose parts.
	The parts have damage.	Do not use the machine and speak to service center.

13 TECHNICAL DATA

Voltage	80V
No load speed	3000(±10%) SPM
Blade length	20"
Cutting capacity	3/4"
Weight (without battery pack)	9.46 lbs. (4.29 kg)
Battery model	GBA80200, GBA80250, GBA80400, GBA80500 and other BAB series

Charger model	GCH8040 and other CAB series
---------------	------------------------------

14 LIMITED WARRANTY



Greenworks hereby warrants this product, to the original purchaser with proof of purchase, for a period of four (4) years against defects in materials, parts or workmanship. Greenworks, at its own discretion will repair or replace any and all parts found to be defective, through normal use, free of charge to the customer. This warranty is valid only for units which have been used for personal use that have not been hired or rented for industrial/commercial use, and that have been maintained in accordance with the instructions in the owners' manual supplied with the product from new.

ITEMS NOT COVERED BY WARRANTY:

1. Any part that has become inoperative due to misuse, commercial use, abuse, neglect, accident, improper maintenance, or alteration; or
2. The unit, if it has not been operated and/or maintained in accordance with the owner's manual; or
3. Normal wear, except as noted below;
4. Routine maintenance items such as lubricants, blade sharpening;
5. Normal deterioration of the exterior finish due to use or exposure.

HELPLINE:

Warranty service is available by calling our toll-free helpline, at 1-855-345-3934.

TRANSPORTATION CHARGES:

Transportation charges for the movement of any power equipment unit or attachment are the responsibility of the purchaser. It is the purchaser's responsibility to pay transportation charges for any part submitted for replacement under this warranty unless such return is requested in writing by Greenworks.

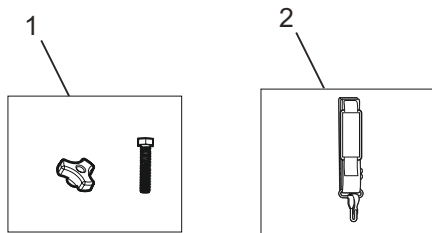
USA address:

Greenworks Tools
P.O. Box 1238
Mooresville, NC 28115

Canadian address:

Greenworks Tools Canada Inc.
P.O. Box 93095, Newmarket,
Ontario
L3Y 8K3

15 EXPLODED VIEW



No .	Part No.	Qty	Description
1	R0200804-00	1	Knob assembly
2	RB37902144 C	1	Shoulder strap

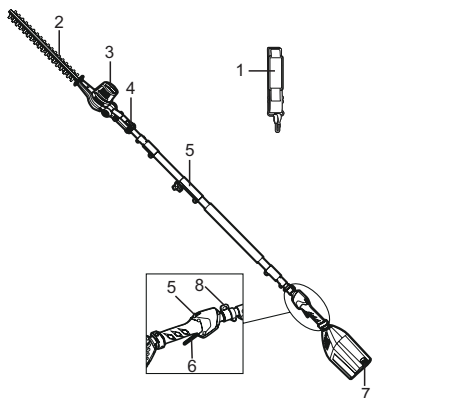
<p>1 Description..... 13</p> <p>1.1 But..... 13</p> <p>1.2 Aperçu..... 13</p> <p>2 Avertissements généraux de sécurité des outils électriques..... 13</p> <p>2.1 Sécurité de la zone de travail..... 13</p> <p>2.2 Sécurité électrique..... 13</p> <p>2.3 Sécurités des personnes..... 13</p> <p>2.4 Utilisation et entretien des outils électriques... 13</p> <p>2.5 Utilisation et entretien de l'outil sur batterie... 14</p> <p>2.6 Service..... 14</p> <p>2.7 Avertissements de sécurité de la taille-haie..... 14</p> <p>3 Proposition 65..... 15</p> <p>4 Sécurité des enfants..... 15</p> <p>5 Symboles figurant sur la machine..... 15</p> <p>6 Niveaux de risques..... 15</p> <p>7 Élimination des batteries sans danger pour l'environnement..... 16</p>	<p>8 Déballez la machine 16</p> <p>8.1 Raccorder les pôles..... 17</p> <p>8.2 Attachez la machine à la bandoulière..... 17</p> <p>8.3 Installez le bloc-batterie..... 17</p> <p>8.4 Retirez le bloc-batterie..... 18</p> <p>9 Utilisation..... 18</p> <p>9.1 Démarrez la machine..... 18</p> <p>9.2 Arrêtez la machine..... 18</p> <p>9.3 Réglez l'angle de la tête de coupe..... 18</p> <p>9.4 Conseils sur l'utilisation..... 18</p> <p>10 Entretien..... 19</p> <p>10.1 Nettoyez la machine..... 19</p> <p>10.2 Lubrifiez la lame..... 19</p> <p>11 Entreposez la machine..... 19</p> <p>12 Dépannage..... 19</p> <p>13 Données techniques..... 20</p> <p>14 Garantie limitée..... 20</p> <p>15 Vue éclatées..... 20</p>
--	---

1 DESCRIPTION

1.1 BUT

Cette machine est destinée à la taille et à l'élagage des haies et des buissons à la maison.

1.2 APERÇU



- | | |
|------------------|------------------------------------|
| 1 Bandoulière | 6 Gâchette |
| 2 Lame | 7 Bouton d'éjection de la batterie |
| 3 Tête pivotante | 8 Anneau de transport |
| 4 Bouton rotatif | |
| 5 Coupleur | |

2 AVERTISSEMENTS GÉNÉRAUX DE SÉCURITÉ DES OUTILS ÉLECTRIQUES

▲ AVERTISSEMENT

Lisez tous les avertissements de sécurité et toutes les instructions. *Le non-respect de ces avertissements et de ces instructions peut entraîner un choc électrique, un incendie et/ou des blessures graves.*

Conservez tous les avertissements et instructions pour référence ultérieure.

Le terme « outil électrique » dans les avertissements fait référence à votre outil électrique (sans fil) fonctionnant sur batterie.

2.1 SÉCURITÉ DE LA ZONE DE TRAVAIL

- Gardez la zone de travail propre et bien éclairée. Les endroits encombrés ou sombres favorisent les accidents.
- N'utilisez pas les outils électriques dans des environnements explosifs, par exemple en présence de liquides, gaz ou poussières inflammables. La mise en

marche des outils électriques crée des étincelles qui peuvent enflammer la poussière ou les vapeurs.

- Tenez les enfants et les curieux à l'écart lorsque vous utilisez un outil électrique. *Les distractions peuvent vous faire perdre le contrôle.*

2.2 SÉCURITÉ ÉLECTRIQUE

- N'exposez pas les outils électriques à la pluie ou à des conditions humides. *L'eau qui pénètre dans un outil électrique augmente le risque de choc électrique.*

2.3 SÉCURITÉS DES PERSONNES

- Restez vigilant, soyez attentif à ce que vous faites et faites preuve de bon sens lorsque vous utilisez un outil électrique. *N'utilisez pas l'appareil lorsque vous êtes fatigué, sous l'emprise de l'alcool ou de drogues ou après avoir pris des médicaments. Un simple moment d'inattention lors de l'utilisation d'un outil électrique peut provoquer des blessures corporelles graves.*
- Utilisez des équipements de protection individuelle. Portez toujours des lunettes de protection. *L'utilisation d'équipements de protection adaptés aux conditions de travail (masque anti-poussières, chaussures de sécurité antidérapantes, casque et protections auditives etc.) permet de réduire les risques de blessures corporelles.*
- Évitez tout démarrage accidentel. Assurez-vous que l'interrupteur est en position d'arrêt avant de brancher à la source d'alimentation et/ou le bloc-batterie et quand vous soulevez ou transportez l'appareil. *Transporter un outil électrique avec un doigt sur l'interrupteur ou le brancher sur une alimentation électrique alors que son interrupteur est en position marche favorise les accidents.*
- Ne vous penchez pas trop en avant. Gardez un bon équilibre en tout temps. *Ceci permet un meilleur contrôle de l'outil électrique dans des situations inattendues.*
- Habillez-vous correctement. Ne portez pas de vêtements amples ou de bijoux. Veillez à ne pas approcher vos cheveux, vos vêtements et vos gants des pièces en mouvement. *Les vêtements amples, les bijoux et les cheveux longs peuvent se prendre dans les pièces en mouvement.*

2.4 UTILISATION ET ENTRETIEN DES OUTILS ÉLECTRIQUES

- Ne forcez pas l'outil électrique. Utilisez l'outil électrique adapté à votre application. *L'outil électrique approprié fera mieux le travail et sera plus sécuritaire au rythme pour lequel il a été conçu.*
- N'utilisez pas l'outil électrique si l'interrupteur ne le met pas en marche ou à l'arrêt. *Tout outil électrique qui ne peut pas être contrôlé avec l'interrupteur est dangereux et doit être réparé.*
- Débranchez la prise de la source d'alimentation et/ou du bloc-batterie avant d'effectuer des réglages, de

changer des accessoires ou de ranger l'outil électrique.
De telles mesures de sécurité préventives réduisent le risque de démarrage accidentel de l'outil électrique.

- **Rangez les outils électriques inutilisés hors de portée des enfants et ne laissez pas des personnes qui se sont familiarisées avec l'outil électrique ou ces instructions l'utiliser.** *Les outils électriques sont dangereux entre les mains des utilisateurs non formés.*
- **Entretien des outils électriques.** Vérifiez le désalignement des pièces mobiles ou la fixation des pièces mobiles, la cassure des pièces et toute autre condition qui pourrait affecter le fonctionnement de l'outil électrique. Si il est endommagé, faites réparer l'outil électrique avant de l'utiliser. *De nombreux accidents sont causés par des outils électriques mal entretenus.*
- **Garder les outils de coupe propres et tranchants.** *Les outils de coupe bien entretenus avec des bords tranchants sont moins susceptibles de se coincer et sont plus faciles à contrôler.*
- **Utilisez l'outil électrique, les accessoires, les mèches, etc. conformément à ces instructions, en tenant compte des conditions de travail et des travaux à effectuer.** *L'utilisation de l'outil motorisé pour des opérations différentes de celles prévues pourrait entraîner une situation dangereuse.*

2.5 UTILISATION ET ENTRETIEN DE L'OUTIL SUR BATTERIE

- **Rechargez uniquement avec le chargeur spécifié par le fabricant.** *Un chargeur adapté à un type de bloc-batterie peut créer un risque d'incendie lorsqu'il est utilisé avec un autre bloc-batterie.*
- **Utilisez les outils électriques uniquement avec des batteries spécialement conçues à cet effet.** *L'utilisation de tout autre bloc-batterie peut créer un risque de blessure et d'incendie.*
- **Lorsque le bloc batterie n'est pas utilisé, éloignez-le des autres objets métalliques tels qu'attaches trombones, pièces de monnaie, clés, clous, vis ou autres petits objets métalliques qui peuvent établir une connexion d'une borne à une autre.** *Le court-circuitage des bornes de la batterie peut provoquer des brûlures ou un incendie.*
- **Dans des conditions abusives, du liquide peut être éjecté de la batterie ; évitez tout contact. En cas de contact accidentel, rincez abondamment avec du savon et de l'eau. En cas de contact du liquide avec les yeux, consultez immédiatement un médecin.** *Le liquide s'échappant des batteries peut causer des irritations ou des brûlures.*

2.6 SERVICE

- **Faites effectuer l'entretien de votre outil électrique par un réparateur qualifié en n'utilisant que des pièces de rechange identiques.** *Cela garantira le maintien de la sécurité de l'outil électrique.*

2.7 AVERTISSEMENTS DE SÉCURITÉ DE LA TAILLE-HAIE

- **Utilisez vos deux mains lorsque vous utilisez le taille-haie.** *L'utilisation d'une seule main peut entraîner une perte de contrôle et des blessures graves.*
- **Veillez à ce qu'aucune partie du corps ne s'approche de la lame de coupe. N'enlevez pas le matériau coupé et ne retenez pas le matériau à couper lorsque les lames sont en mouvement.** *Les lames continuent de tourner après l'arrêt du moteur. Assurez-vous que l'interrupteur est éteint lorsque vous enlevez le matériel coincé.* *Un simple moment d'inattention lors de l'utilisation de la taille-haie peut provoquer des blessures corporelles graves.*
- **Transportez l'outil électrique par la poignée avec la lame de coupe arrêtée.** *Lorsque vous transportez ou rangez l'outil électrique, placez toujours le couvercle du dispositif de coupe.* *Une manipulation correcte du taille-haie réduira les risques de blessures corporelles causées par la lame de coupe.*
- **Tenez toujours l'outil électrique par ses poignées isolantes, parce que la lame de coupe entrer en contact avec un fil électrique caché.** *Les lames de coupe en contact avec un fil sous tension peuvent faire exposer les parties métalliques sous tension et donner un choc électrique à l'opérateur.*
- **DANGER - Tenez vos mains éloignées de la lame.** *Le contact avec la lame peut entraîner des blessures graves.*
- **Gardez le câble éloigné de la zone de coupe.** *Pendant le fonctionnement, le câble peut être caché dans des arbustes et peut être coupé accidentellement par la lame.*
- **Rangez toujours les outils électriques inutilisés à l'intérieur.** *Lorsqu'ils ne sont pas utilisés, entreposez-les à l'intérieur dans un endroit sec, hors de portée des enfants.*
- **N'utilisez pas l'outil électrique par mauvais temps, surtout s'il y a un risque de foudre.** *Cela diminue le risque d'être frappé par la foudre.*
- **Évitez que le corps n'entre en contact avec des surfaces mises à la terre comme les tuyaux, les radiateurs, les cuisinières et les réfrigérateurs.** *Il y a un risque accru de choc électrique si votre corps est en contact avec la terre.*

3 PROPOSITION 65

▲ AVERTISSEMENT

Ce produit contient un produit chimique connu dans l'état de Californie comme étant une cause de cancer, de malformations congénitales ou d'autres problèmes de reproduction. Certaines poussières produites par le ponçage mécanique, le sciage, le meulage, le perçage et d'autres activités de construction contiennent des produits chimiques connus pour causer le cancer, des malformations congénitales ou d'autres problèmes de reproduction. Voici quelques exemples de ces produits chimiques :

- Plomb provenant de peintures à base de plomb;
- Silice cristalline provenant de briques, de ciment et d'autres produits de maçonnerie;
- Arsenic et chrome provenant de bois traité chimiquement.

Votre risque d'exposition à ces produits chimiques varie selon la fréquence à laquelle vous faites ce type de travail. Pour réduire votre exposition à ces produits chimiques, travaillez dans un endroit bien ventilé et utilisez un équipement de sécurité approuvé, comme des masques anti-poussière spécialement conçus pour filtrer les particules microscopiques.

Conservez ces instructions


4 SÉCURITÉ DES ENFANTS










Des accidents tragiques peuvent se produire si l'opérateur n'est pas au courant de la présence des enfants.

- Éloignez les enfants de la zone de travail et placez-les sous la surveillance d'un adulte responsable.
- Ne laissez pas un enfant de moins de 14 ans utiliser cette machine. Les enfants de 14 ans et plus doivent lire et comprendre les instructions d'utilisation et les règles de sécurité contenues dans ce manuel et doivent être formés et supervisés par un parent.
- Restez vigilant et éteignez la machine si un enfant ou une autre personne entre dans la zone de travail.
- Soyez extrêmement prudent lorsque vous vous approchez d'un angle mort, d'une porte, d'un arbuste, d'un arbre ou de tout autre objet qui pourrait masquer la vue d'un enfant qui pourrait se heurter à la machine.

5 SYMBOLES FIGURANT SUR LA MACHINE



Certains des symboles suivants peuvent être utilisés sur ce produit. Veuillez les étudier et apprendre leur signification. Une bonne interprétation de ces symboles vous permettra de mieux utiliser le produit et de manière plus sécuritaire.


Symbole	Explication
	Précautions destinées à assurer la sécurité.

Symbole	Explication
	Lisez et comprenez toutes les instructions avant d'utiliser cette machine, et suivez tous les avertissements et les consignes de sécurité.
	Portez des lunettes de protection.
	Les objets projetés peuvent ricocher et causer des blessures corporelles ou des dommages matériels. Portez des vêtements et des bottes de protection.
	Portez des gants antidérapants et résistants.
	Tenez tous les curieux à une distance d'au moins 15 m.
	DANGER ! Risque d'électrocution ! Gardez l'outil à une distance de 15 m des lignes électriques. Tenez tous les curieux à une distance d'au moins 15 m.
	Ne pas exposer la machine à la pluie ou à l'humidité.
	Danger – Gardez les mains et les pieds éloignés de la lame.
	Portez un casque protecteur.

6 NIVEAUX DE RISQUES

Les termes de mise en garde suivants et leur signification ont pour but d'expliquer les niveaux de risques associés à l'utilisation de ce produit.

SYMBOLE	SIGNAL	SIGNIFICATION
	DANGER	Indique une situation dangereuse imminente qui, si elle n'est pas évitée, peut entraîner la mort ou des blessures graves.
	AVERTISSEMENT	Indique une situation potentiellement dangereuse qui, si elle n'est pas évitée, peut entraîner la mort ou des blessures graves.

SYM-BOLE	SIGNAL	SIGNIFICATION
	MISE EN GARDE	Indique une situation potentiellement dangereuse qui, si elle n'est pas évitée, pourrait causer des blessures mineures ou modérées.
	MISE EN GARDE	(Sans symbole d'alerte de sécurité) Indique une situation pouvant entraîner des dommages matériels.

7 ÉLIMINATION DES BATTERIES SANS DANGER POUR L'ENVIRONNEMENT



Les matières toxiques et corrosives ci-dessous se trouvent dans les batteries utilisées dans cette machine : **Lithium-ion, une substance toxique.**

▲ AVERTISSEMENT

Éliminez toutes les substances toxiques d'une manière spécifiée afin de prévenir la contamination de l'environnement. Avant de jeter une batterie Li-ion endommagée ou usée, contactez votre agence locale d'élimination des déchets ou l'agence locale de protection de l'environnement pour obtenir des informations et des instructions spécifiques. Apportez les batteries à un centre local de recyclage ou d'élimination certifié pour l'élimination de batteries au lithium-ion.

▲ AVERTISSEMENT

Si la batterie se fend ou se brise, avec ou sans fuites, ne la rechargez pas et ne l'utilisez pas. Jetez-la et remplacez-la par une nouvelle batterie. **N'ESSAYEZ PAS DE LA RÉPARER !** Pour prévenir les blessures et les risques d'incendie, d'explosion ou de choc électrique, et pour éviter tout dommage à l'environnement :

- Couvrez les bornes de la batterie avec du ruban adhésif résistant.
- NE PAS essayer d'enlever ou de détruire les composants de la batterie.
- NE PAS essayer d'ouvrir ou de réparer la batterie.
- En cas de fuite, les électrolytes rejetés sont corrosifs et toxiques. NE PAS laisser entrer la solution dans les yeux ou en contact avec la peau et ne pas l'avaler.
- NE PAS jeter vos batteries usagées dans votre poubelle à ordures ménagères.
- NE PAS incinérer.
- NE LES Mettez PAS dans un endroit où ils feront partie d'un site d'enfouissement de déchets ou d'un flux de déchets solides municipaux.
- Emmenez-les dans un centre de recyclage ou d'élimination certifié.

8 DÉBALLEZ LA MACHINE

▲ AVERTISSEMENT

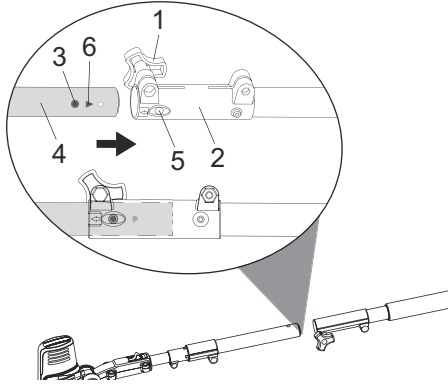
Assurez-vous d'assembler correctement la machine avant de l'utiliser.

▲ AVERTISSEMENT

- Si les pièces sont endommagées, n'utilisez pas la machine.
- Si vous n'avez pas toutes les pièces, n'utilisez pas la machine.
- Si les pièces sont endommagées ou manquantes, communiquez avec le centre de service.

1. Ouvrez l'emballage.
2. Lisez la documentation contenue dans la boîte.
3. Retirez toutes les pièces non assemblées de la boîte.
4. Retirez la machine de sa boîte.
5. Jetez la boîte et l'emballage en respectant les règlements locaux.

8.1 RACCORDER LES PÔLES

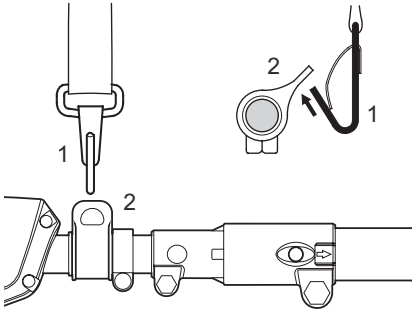


1. Desserrez le bouton (1) sur le coupleur (2).
2. Enfoncez le bouton de déclenchement (3) sur le poteau de gauche (4).
3. Alignez le bouton de déclenchement avec le trou de positionnement (5) dans la direction de la flèche (6) et glissez les deux poteaux ensemble.
4. Tournez le poteau inférieur jusqu'à ce que le bouton s'enclenche dans le trou de positionnement.

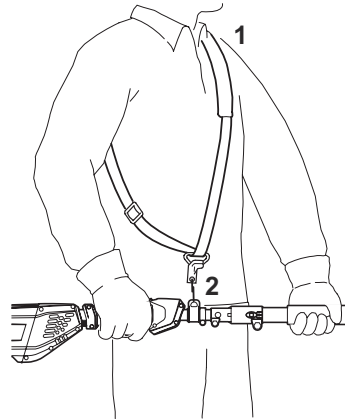
▲ AVERTISSEMENT

Vérifiez périodiquement les connexions pour vous assurer qu'elles sont bien serrées.

8.2 ATTACHEZ LA MACHINE À LA BANDOULIÈRE

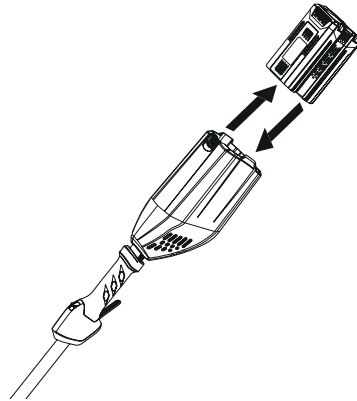


1. Fixez le mousqueton à l'anneau de transport sur le tube.



2. Enfilez la bandoulière.
3. Ajustez la longueur de la bandoulière de façon à ce que le mousqueton ait à peu près la largeur d'une main sous votre hanche droite.

8.3 INSTALLEZ LE BLOC-BATTERIE



▲ AVERTISSEMENT

- Si le bloc-batterie ou le chargeur est endommagé, remplacez-le, au besoin.
- Arrêtez la machine et attendez que le moteur s'arrête avant d'installer ou de retirer le bloc-batterie.
- Lisez, comprenez et suivez les instructions du manuel du bloc-batterie et du chargeur.

1. Alignez les languettes du bloc-batterie avec les rainures du compartiment de batterie.
2. Poussez le bloc-batterie dans le compartiment de batterie jusqu'à ce qu'il soit bien encliqueté.

- Vous devriez entendre un clic lorsque le bloc-batterie sera inséré correctement.

8.4 RETIREZ LE BLOC-BATTERIE

- Poussez et maintenez enfoncé le bouton de déblocage de la batterie.
- Retirez le bloc-batterie de la machine.

9 UTILISATION

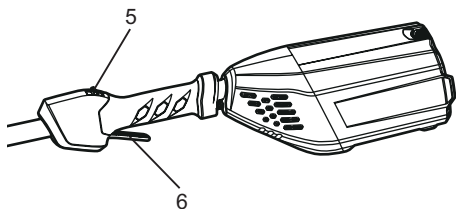
- Ne mettez pas vos doigts dans les entailles ou dans une position où ils peuvent se couper.
- Ne touchez pas la lame sauf pour enlever le bloc-batterie.
- N'utilisez pas la machine si la lame est endommagée ou pliée.
- Retirez tous les objets tels que cordons, lumières, fils ou ficelles qui peuvent s'emmêler dans la lame de coupe et créer un risque de blessures corporelles.

▲ AVERTISSEMENT

Si la lame se bloque sur un cordon ou une ligne électrique, **NE TOUCHEZ PAS LA LAME! ELLE PEUT SOUS TENSION VIVANTE ET DANGEREUSE.** Procédez comme suit :

- Tenez la poignée arrière isolée ou posez la machine à terre et éloignez de vous d'elle.
- Débranchez l'alimentation électrique de la ligne ou du cordon endommagé avant d'essayer de libérer la lame.

9.1 DÉMARREZ LA MACHINE



- Tirez sur le bouton de verrouillage de sécurité avec votre pouce puis appuyez sur la gâchette.
- Relâchez le bouton de verrouillage de sécurité.

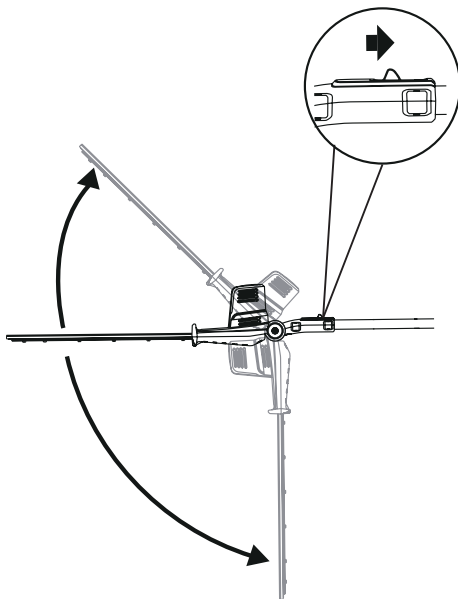
▲ AVERTISSEMENT

Tenez la machine avec les deux mains pendant le fonctionnement.

9.2 ARRÊTEZ LA MACHINE

- Lâchez la gâchette pour arrêter la machine.

9.3 RÉGLEZ L'ANGLE DE LA TÊTE DE COUPE



La tête de coupe peut être bloquée en 7 positions.

- Tirez sur le bouton de pivot et déplacez la tête vers l'avant ou vers l'arrière jusqu'à la position que vous voulez.
- Relâchez le bouton de pivot.
- Vérifiez que la tête de coupe se verrouille bien en place.

9.4 CONSEILS SUR L'UTILISATION

- Commencez par tailler le dessus de la haie. Inclinez légèrement l'outil (jusqu'à 15° par rapport à la ligne de coupe) de sorte que les pointes de la lame pointent légèrement vers la haie. Cela causera une coupe plus efficace des lames. Tenez l'outil à l'angle désiré et déplacez-le régulièrement le long de la ligne de coupe. La lame à deux faces vous permet de couper dans les deux sens.
- Afin d'obtenir une coupe très droite, étirez un morceau de ficelle le long de la longueur de la haie à la hauteur désirée. Utilisez la ficelle comme ligne directrice, en coupant juste au-dessus.
- Afin d'obtenir des côtés plats, coupez vers le haut suivant la direction de la croissance. Les tiges plus jeunes se déplacent vers l'extérieur lorsque la lame coupe vers le bas, causant des trous vides dans la haie.
- Prenez soin d'éviter tout corps étranger. Évitez particulièrement les objets durs tels que les fils métalliques et les rampes, car ceux-ci pourraient endommager les lames.
- Huilez régulièrement les lames.

▲ AVERTISSEMENT

Éloignez vos mains de la lame pendant l'utilisation. Le contact avec la lame entraînera des blessures corporelles graves.

10 ENTRETIEN

▲ ATTENTION

Évitez que les liquides de freins, l'essence et les matériaux à base de pétrole ne viennent en contact avec les pièces en plastique. Les produits chimiques peuvent endommager le plastique et le rendre inutilisable.

▲ ATTENTION

N'utilisez pas de solvants ou de détergents puissants sur le boîtier ou les composants en plastique.

▲ AVERTISSEMENT

Retirez la batterie de la machine avant l'entretien.

10.1 NETTOYEZ LA MACHINE

▲ AVERTISSEMENT

Veillez à ce que la machine et le moteur soient exempts de feuilles, de branches ou d'huile excessive afin d'éviter tout risque d'incendie.

- Utilisez un chiffon humide et un détergent doux pour nettoyer la machine.
- Nettoyez toute l'humidité avec un chiffon doux et sec.
- Utilisez une petite brosse pour nettoyer les événements d'aération.

10.2 LUBRIFIEZ LA LAME

Pour augmenter l'efficacité et la durée de vie des lames, lubrifiez-les soigneusement après chaque séance de travail :

- Placez la machine sur une surface plane et régulière.
- Utilisez un chiffon doux pour nettoyer les lames et une brosse pour enlever la saleté.
- Utilisez une légère couche d'huile pour lubrifier les lames le long du bord supérieur de la lame.

i REMARQUE

Nous recommandons d'utiliser une huile non polluante.

11 ENTREPOSEZ LA MACHINE

i REMARQUE

Nettoyez la machine avant de le stockage.

1. Retirez le bloc-batterie.
2. Laissez refroidir le moteur.

3. Vérifiez qu'il n'y a pas de pièces desserrées ou endommagées. Si nécessaire, remplacez les composants endommagés, serrez les vis et les boulons ou adressez-vous à une personne d'un centre de service agréé.
4. Entreposez la machine dans un endroit frais et sec.

12 DÉPANNAGE

Problème	Cause possible	Solution
Le moteur s'arrête pendant le travail.	La batterie n'est pas correctement installée.	Assurez-vous que vous avez bien installé le bloc batterie dans la machine.
	Le bloc-batterie est déchargé.	Rechargez le bloc-batterie.
	La machine est endommagée.	N'utilisez pas la machine et communiquez avec le centre de service.
La machine dégage de la fumée pendant le fonctionnement.	La machine est endommagée.	<ol style="list-style-type: none"> 1. Arrêtez la machine immédiatement. 2. Retirez le bloc-batterie. 3. Communiquez avec le centre de service.
Le moteur marche, mais les lames ne bougent pas.	La machine est endommagée.	N'utilisez pas la machine et communiquez avec le centre de service.
	Les lames sont bloquées.	Retirez la batterie puis dégagés les dents de tout blocage.
Trop de bruit et/ou de vibrations sont ressentis pendant le fonctionnement.	Les pièces sont desserrées.	<ol style="list-style-type: none"> 1. Arrêtez la machine. 2. Retirez le bloc-batterie. 3. Vérifiez qu'elle n'est pas endommagée. 4. Vérifiez et serrez les pièces desserrées.
	Les pièces sont endommagées.	N'utilisez pas la machine et communiquez avec le centre de service.

13 DONNÉES TECHNIQUES

Voltage	80V
Vitesse à vide	3000(±10%) SPM
Longueur de la lame	20"
Capacité de coupe	3/4"
Poids (sans bloc-batterie)	9.46 lbs. (4.29 kg)
Batterie (modèle)	GBA80200, GBA80250, GBA80400, GBA80500 et autres séries BAB
Chargeur (modèle)	GCH8040 et autres séries CAB

14 GARANTIE LIMITÉE



Greenworks garantit par la présente ce produit, à l'acheteur original avec preuve d'achat, pour une période de quatre (4) ans contre tout défaut de matériaux, de pièces ou de main-d'œuvre. Greenworks, à sa propre discrétion, réparera ou remplacera toutes les pièces défectueuses, dans des conditions normales d'utilisation, sans frais pour le client. Cette garantie n'est valable que pour les appareils qui ont été utilisés à des fins personnelles, qui n'ont pas été loués à des fins industrielles ou commerciales et qui ont été entretenus conformément aux instructions du manuel du propriétaire fourni avec le produit neuf.

ARTICLES NON COUVERTS PAR LA GARANTIE :

1. Toute pièce qui est devenue inopérante en raison d'une mauvaise utilisation, d'une utilisation commerciale, d'un abus, d'une négligence, d'un accident, d'un entretien inapproprié ou d'une modification ; ou
2. L'appareil, s'il n'a pas été utilisé et/ou entretenu conformément au manuel du propriétaire ; ou
3. Usure normale, sauf comme indiqué ci-dessous ;
4. Articles d'entretien courant tels que lubrifiants, affûtage des lames ;
5. Détérioration normale du fini extérieur due à l'utilisation ou à l'exposition.

ASSISTANCE TÉLÉPHONIQUE :

Le service de garantie est disponible en appelant notre ligne d'assistance téléphonique sans frais, au 1-855-345-3934.

FRAIS DE TRANSPORT :

Les frais de transport pour le déplacement de tout équipement motorisé ou accessoire sont à la charge de l'acheteur. Il incombe à l'acheteur de payer les frais de transport pour toute pièce retournée pour remplacement en vertu de la présente garantie, à moins qu'un tel retour soit demandé par écrit par Greenworks.

Adresse aux Etats-Unis : Adresse au Canada :

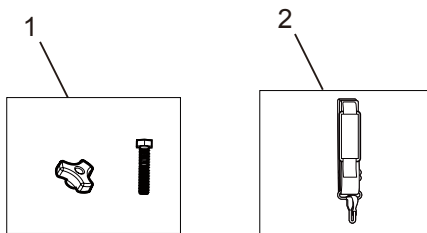
Greenworks Tools
P.O. Box 1238

Greenworks Tools Canada Inc.
P.O. Box 93095, Newmarket,
Ontario

Mooresville, NC 28115

L3Y 8K3

15 VUE ÉCLATÉES



No	No de pièce	Qté	Description
1	R0200804-00	1	Ensemble du bouton
2	RB37902144 C	1	Bandoulière

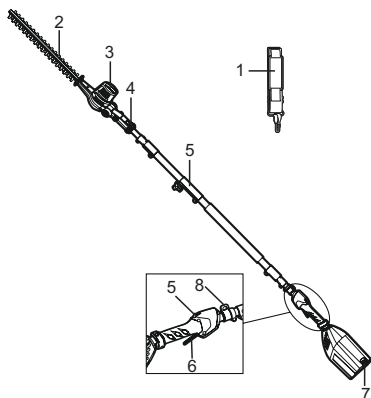
1	Descripción.....	22	8	Desembalaje de la máquina	25
1.1	Finalidad.....	22	8.1	Conexión de los tubos.....	25
1.2	Perspectiva general.....	22	8.2	Fijación de la máquina a la correa de hombro.....	26
2	Advertencias generales de seguridad para herramientas eléctricas.....	22	8.3	Instalación de la batería.....	26
2.1	Seguridad de la zona de trabajo.....	22	8.4	Retirada de la batería.....	26
2.2	Seguridad eléctrica.....	22	9	Funcionamiento.....	26
2.3	Seguridad personal.....	22	9.1	Puesta en marcha de la máquina.....	27
2.4	Utilización y cuidado de herramientas eléctricas.....	22	9.2	Detención de la máquina.....	27
2.5	Utilización y cuidado de herramientas a batería.....	23	9.3	Ajuste del ángulo del cabezal de corte.....	27
2.6	Servicio.....	23	9.4	Consejos de funcionamiento.....	27
2.7	Advertencias de seguridad para cortasetos.....	23	10	Mantenimiento.....	28
3	Propuesta 65.....	24	10.1	Limpieza de la máquina.....	28
4	Seguridad infantil.....	24	10.2	Lubricación de la cuchilla.....	28
5	Símbolos en el producto.....	24	11	Almacenamiento de la máquina.....	28
6	Niveles de riesgo.....	24	12	Solución de problemas.....	28
7	Eliminación de batería segura para el medio ambiente.....	25	13	Datos técnicos.....	29
			14	Garantía limitada.....	29
			15	Vista despiezada.....	29

1 DESCRIPCIÓN

1.1 FINALIDAD

Esta máquina se ha diseñado para cortar y podar setos y arbustos en un entorno doméstico.

1.2 PERSPECTIVA GENERAL



- | | |
|-------------------------|----------------------------------|
| 1 Correa de hombro | 6 Gatillo |
| 2 Cuchilla | 7 Botón de desbloqueo de batería |
| 3 Cabezal articulado | 8 Anillo de transporte |
| 4 Botón de articulación | |
| 5 Acoplamiento | |

2 ADVERTENCIAS GENERALES DE SEGURIDAD PARA HERRAMIENTAS ELÉCTRICAS

▲ AVISO

Lea todas las advertencias de seguridad y todas las instrucciones. El incumplimiento de las advertencias e instrucciones puede provocar descargas eléctricas, incendios o lesiones graves.

Guarde todas las advertencias e instrucciones para su consulta posterior.

El término “herramienta eléctrica” empleado en las advertencias se refiere a su herramienta eléctrica con funcionamiento a batería (inalámbrica).

2.1 SEGURIDAD DE LA ZONA DE TRABAJO

- Mantenga limpia y bien iluminada la zona de trabajo. Las zonas desordenadas u oscuras fomentan los accidentes.

- No utilice herramientas eléctricas en atmósferas explosivas, como en la presencia de líquidos, gases o polvo que puedan inflamarse. Las herramientas eléctricas generan chispas que pueden encender el polvo o los gases.
- Mantenga alejados a los niños y los transeúntes mientras utilice una herramienta eléctrica. Las distracciones pueden hacer que pierda el control.

2.2 SEGURIDAD ELÉCTRICA

- No exponga las herramientas eléctricas a la lluvia ni a condiciones de humedad. Si penetra agua en una herramienta eléctrica, aumentará el riesgo de descarga eléctrica.

2.3 SEGURIDAD PERSONAL

- Manténgase alerta, observe lo que está haciendo y emplee el sentido común cuando utilice una herramienta eléctrica. No utilice una herramienta eléctrica mientras esté cansado o bajo la influencia de drogas, alcohol o medicamentos. Una falta de atención durante el uso de herramientas eléctricas puede provocar lesiones personales graves.
- Utilice protección personal. Lleve siempre protección ocular. Si se utilizan correctamente productos de protección como máscaras antipolvo, zapatos de seguridad antideslizantes, cascos o protecciones auditivas, se reducirán las lesiones personales.
- Evite el arranque accidental. Asegúrese de que el interruptor esté en la posición de apagado antes de conectar a la fuente de alimentación o a la batería y al coger o transportar la herramienta. El transporte de herramientas eléctricas con el dedo en el interruptor o la conexión de herramientas eléctricas que tienen el interruptor activado fomenta los accidentes.
- No se estire. Mantenga en todo momento una postura adecuada y el equilibrio. Esto permite un mejor control de la herramienta eléctrica en situaciones inesperadas.
- Lleve indumentaria adecuada. No lleve ropa o joyas sueltas. Mantenga el cabello, la ropa y los guantes lejos de las piezas móviles. La ropa suelta, las joyas o el cabello largo pueden quedar atrapados en las piezas móviles.

2.4 UTILIZACIÓN Y CUIDADO DE HERRAMIENTAS ELÉCTRICAS

- No fuerce la herramienta eléctrica. Utilice la herramienta eléctrica correcta para su aplicación. La herramienta eléctrica correcta hará el trabajo mejor y con mayor seguridad a la velocidad para la que se diseñó.
- No utilice la herramienta eléctrica si el interruptor no la enciende y la apaga. Cualquier herramienta eléctrica que no pueda controlarse con el interruptor es peligrosa y debe repararse.

- **Desconecte el enchufe de la fuente de alimentación o la batería de la herramienta eléctrica antes de realizar ajustes, cambiar accesorios o almacenar herramientas eléctricas.** *Estas medidas de seguridad preventivas reducen el riesgo de que la herramienta eléctrica se arranque accidentalmente.*
- **Almacene las herramientas eléctricas inactivas fuera del alcance de los niños y no permita que personas que no estén familiarizadas con la herramienta eléctrica o estas instrucciones puedan utilizarla.** *Las herramientas eléctricas son peligrosas en manos de usuarios inexpertos.*
- **Realice el mantenimiento de las herramientas eléctricas.** Compruebe si hay desalineación o unión de las piezas móviles, rotura de piezas y cualquier otra condición que pueda afectar al funcionamiento de la herramienta eléctrica. Si ha sufrido daños, lleve a reparar la herramienta eléctrica antes del uso. *Numerosos accidentes se deben a herramientas eléctricas mal mantenidas.*
- **Mantenga limpias y afiladas las herramientas de corte.** *Las herramientas de corte mantenidas correctamente con filos cortantes tienen menos probabilidades de atascarse y son más fáciles de controlar.*
- **Utilice la herramienta eléctrica, los accesorios, las brocas, etc. de acuerdo con estas instrucciones, teniendo en cuenta las condiciones de trabajo y el trabajo a realizar.** *El uso de la herramienta eléctrica para operaciones distintas de las previstas podría dar lugar a una situación peligrosa.*

2.5 UTILIZACIÓN Y CUIDADO DE HERRAMIENTAS A BATERÍA

- **Recargue solo con el cargador especificado por el fabricante.** *Un cargador adecuado para un tipo de batería puede dar lugar a un riesgo de incendio cuando se usa con otra batería.*
- **Utilice las herramientas eléctricas únicamente con las baterías designadas específicamente.** *El uso de cualquier otra batería puede dar lugar a un riesgo de lesiones e incendio.*
- **Cuando la batería no esté en uso, manténgala alejada de otros objetos metálicos como clips, monedas, llaves, clavos, tornillos u otros objetos metálicos pequeños que puedan hacer una conexión entre los terminales.** *El cortocircuito de los terminales de la batería puede provocar quemaduras o incendios.*
- **Bajo condiciones abusivas, es posible que salga líquido despedido de la batería; evite el contacto.** Si se produce un contacto accidental, aclare con abundante agua y jabón. Si el líquido entra en contacto con los ojos, acuda al médico inmediatamente. *El líquido despedido de la batería puede provocar irritación o quemaduras.*

2.6 SERVICIO

- **Solicite a un técnico de reparación cualificado que realice las tareas de servicio de su herramienta eléctrica utilizando únicamente piezas de repuesto idénticas.** *Esto garantizará el mantenimiento de la seguridad de la herramienta eléctrica.*

2.7 ADVERTENCIAS DE SEGURIDAD PARA CORTASETOS

- **Use ambas manos cuando utilice el cortasetos.** El uso de una mano puede provocar la pérdida de control y lesiones personales graves.
- **Mantenga todas las partes del cuerpo alejadas de la cuchilla de corte.** No retire el material cortado ni sujete el material a cortar cuando las cuchillas se estén moviendo. Después de apagar, la cuchilla de corte continúa girando libremente. Asegúrese de que el interruptor esté desactivado al eliminar el material atacado. *Un momento de inatención durante el uso del cortasetos puede provocar lesiones personales graves.*
- **Lleve la herramienta eléctrica por el asa con la cuchilla de corte detenida.** Cuando transporte o almacene la herramienta eléctrica, coloque siempre la cubierta del dispositivo de corte. *El manejo adecuado del cortasetos reducirá las posibles lesiones personales producidas por la cuchilla de corte.*
- **Sujete la herramienta eléctrica solo por las superficies de agarre aisladas, ya que la cuchilla de corte puede entrar en contacto con cableado oculto.** *Si la cuchilla de corte entra en contacto con un cable "con corriente", esto puede hacer que las piezas metálicas expuestas de la herramienta eléctrica "tengan corriente" y podrían producir una descarga eléctrica al operario.*
- **PELIGRO – Mantenga las manos alejadas de la cuchilla.** *El contacto con la cuchilla provocará lesiones personales graves.*
- **Mantenga el cable alejado de la zona de corte.** *Durante el funcionamiento, el cable puede estar oculto entre los arbustos y ser cortado accidentalmente por la cuchilla.*
- **Almacene siempre las herramientas eléctricas inactivas en interiores.** *Cuando no estén en uso, las herramientas eléctricas deben almacenarse en interiores, en un lugar seco, fuera del alcance de los niños.*
- **Evite utilizar la herramienta eléctrica con mal tiempo, especialmente cuando exista un riesgo de rayos.** *Esto disminuye el riesgo de ser alcanzado por un rayo.*
- **Evite el contacto del cuerpo con superficies conectadas a tierra, como tuberías, radiadores, estufas y refrigeradores.** *Existe un riesgo aumentado de descarga eléctrica si su cuerpo está conectado a tierra.*

3 PROPUESTA 65

▲ AVISO

Este producto contiene una sustancia química conocida en el estado de California como causante de cáncer, defectos de nacimiento u otros daños reproductivos. El polvo generado por el lijado eléctrico, el serrado, el esmerilado, la perforación y otras actividades de construcción contiene sustancias químicas que se sabe que son causantes de cáncer, defectos de nacimiento u otros daños reproductivos. Algunos ejemplos de estas sustancias químicas son:

- Plomo de pinturas con base de plomo;
- Sílice cristalina de ladrillos y cemento y otros productos de albañilería;
- Arsénico y cromo de la madera tratada químicamente.

El riesgo de exposición a estas sustancias químicas varía según la frecuencia con la que realice este tipo de trabajo. Para reducir su exposición a estas sustancias químicas, trabaje en una zona bien ventilada y trabaje con equipos de seguridad aprobados, como máscaras antipolvo, que estén especialmente diseñadas para filtrar partículas microscópicas.

Conserve estas instrucciones.


4 SEGURIDAD INFANTIL










Pueden producirse accidentes trágicos si el operario no es consciente de la presencia de niños.

- Mantenga a los niños fuera de la zona de trabajo y bajo la vigilancia de un adulto responsable.
- No permita que niños menores de 14 años utilicen esta máquina. Los niños de 14 años y mayores deben leer y entender las instrucciones de funcionamiento y las normas de seguridad que se encuentran en este manual y deben recibir formación y supervisión por parte de uno de sus progenitores.
- Manténgase alerta y apague la máquina si un niño o cualquier otra persona entra en la zona de trabajo.
- Tenga mucho cuidado al acercarse a esquinas ciegas, portales, arbustos, árboles u otros objetos que puedan ocultar su visión de un niño que pueda correr hacia el recorrido de la máquina.

5 SÍMBOLOS EN EL PRODUCTO


En el producto pueden utilizarse algunos de los siguientes símbolos. Le rogamos que los estudie y aprenda su significado. La interpretación correcta de estos símbolos le permitirá manejar el producto mejor y de manera más segura.

Símbolo	Explicación
	Precauciones que afectan a su seguridad.

Símbolo	Explicación
	Debe leer y entender todas las instrucciones antes de manejar el producto, así como seguir todas las advertencias e instrucciones de seguridad.
	Lleve protección ocular.
	Los objetos proyectados pueden rebotar y provocar lesiones personales o daños materiales. Lleve indumentaria de protección y botas.
	Lleve guantes antideslizantes resistentes.
	Mantenga a los transeúntes al menos a 15 m.
	¡PELIGRO! ¡Riesgo de electrocución! Mantenga la herramienta alejada 15 m de las líneas eléctricas. Mantenga a todos los transeúntes al menos a 15 m.
	No exponga el producto a la lluvia o a condiciones de humedad.
	Peligro – mantenga las manos y los pies alejados de la cuchilla.
	Lleve protección en la cabeza.

6 NIVELES DE RIESGO

Las siguientes indicaciones y significados tienen como fin explicar los niveles de riesgo asociados a este producto.

SÍMBOLO	INDICACIÓN	SIGNIFICADO
	PELIGRO	Indica una situación de peligro inminente que, de no evitarse, provocará lesiones graves o incluso la muerte.
	ADVERTENCIA	Indica una situación de peligro potencial que, de no evitarse, podría provocar lesiones graves o incluso la muerte.
	PRECAUCIÓN	Indica una situación de peligro potencial que, de no evitarse, puede provocar lesiones leves o moderadas.

SÍMBOLO	INDICACIÓN	SIGNIFICADO
	PRECAUCIÓN	(Sin símbolo de alerta sobre seguridad) Indica una situación que puede provocar daños materiales.

7 ELIMINACIÓN DE BATERÍA SEGURA PARA EL MEDIO AMBIENTE



Los materiales tóxicos y corrosivos que figuran a continuación se encuentran en las baterías utilizadas en esta máquina: **Ion de litio, un material tóxico.**

▲ AVISO

Deseche todos los materiales tóxicos de una manera especificada para evitar la contaminación del medio ambiente. Antes de desechar una batería de ion de litio dañada o agotada, contacte con la agencia local de eliminación de residuos o con la agencia de protección ambiental local para obtener información e instrucciones específicas. Lleve las baterías a un centro de reciclaje o eliminación local, certificado para la eliminación de ion de litio.

▲ AVISO

Si la batería se agrieta o se rompe, con o sin fugas, no la recargue ni la utilice. Deséchela y sustitúyala por una batería nueva. ¡NO INTENTE REPARARLA! Para evitar lesiones y riesgos de incendio, explosión o descarga eléctrica, y para evitar daños al medio ambiente:

- Cubra los terminales de la batería con cinta adhesiva resistente.
- NO intente retirar o destruir ninguno de los componentes de la batería.
- NO intente abrir la batería.
- Si se produce una fuga, los electrolitos liberados son corrosivos y tóxicos. NO deje que la solución entre en contacto con los ojos o la piel, y no la ingiera.
- NO deseche estas baterías con la basura doméstica normal.
- NO incinere.
- NO lleve las baterías a lugares donde formarán parte de vertederos de residuos o flujos de residuos sólidos urbanos.
- Lívelas a un centro de reciclaje o eliminación certificado.

8 DESEMBALAJE DE LA MÁQUINA

▲ AVISO

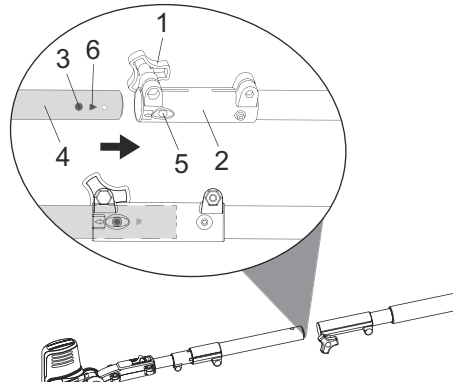
Asegúrese de montar correctamente la máquina antes del uso.

▲ AVISO

- Si las piezas presentan daños, no utilice la máquina.
- Si no tiene todas las piezas, no utilice la máquina.
- Si faltan piezas o hay piezas dañadas, hable con el centro de servicio.

1. Abra el embalaje.
2. Lea la documentación que se encuentra en la caja.
3. Retire todas las piezas sin montar de la caja.
4. Retire la máquina de la caja.
5. Deseche la caja y el embalaje de conformidad con los reglamentos locales.

8.1 CONEXIÓN DE LOS TUBOS

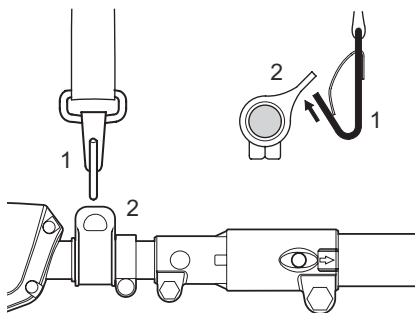


1. Afloje el mando (1) del acoplamiento (2).
2. Pulse el botón de desbloqueo (3) situado en el tubo izquierdo (4).
3. Alinee el botón de desbloqueo con el orificio de posicionamiento (5) con la dirección de la flecha (6) y deslice los dos tubos juntos.
4. Gire el tubo inferior hasta que el botón se bloquee en el orificio de posicionamiento.

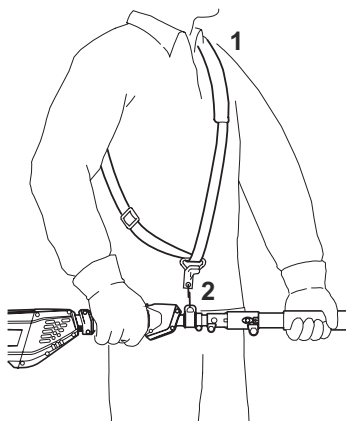
▲ AVISO

Compruebe las conexiones periódicamente para asegurarse de que estén bien apretadas.

8.2 FIJACIÓN DE LA MÁQUINA A LA CORREA DE HOMBRO

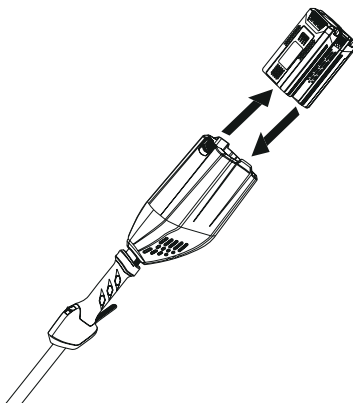


1. Fije el mosquetón al anillo de transporte en el tubo de accionamiento.



2. Póngase la correa de hombro.
3. Ajuste la longitud de la correa para que el mosquetón quede aproximadamente a la anchura de una mano debajo de su cadera derecha.

8.3 INSTALACIÓN DE LA BATERÍA



▲ AVISO

- Si la batería o el cargador ha sufrido daños, sustituya la batería o el cargador.
- Detenga la máquina y espere hasta que el motor se pare antes de instalar o retirar la batería.
- Debe leer, conocer y seguir las instrucciones del manual de la batería y el cargador.

1. Alinee las nervaduras de elevación de la batería con las ranuras del compartimento de la batería.
2. Introduzca la batería en el compartimento de la batería hasta que encaje en su posición.
3. Cuando escuche un clic, la batería está instalada.

8.4 RETIRADA DE LA BATERÍA

1. Pulse y mantenga pulsado el botón de desbloqueo de la batería.
2. Retire la batería de la máquina.

9 FUNCIONAMIENTO

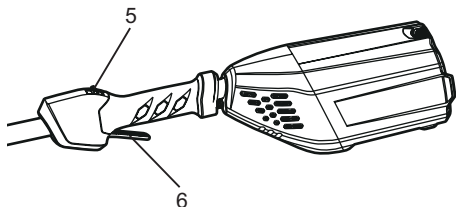
- No meta los dedos en las muescas o en posiciones donde puedan cortarse.
- No toque la cuchilla a menos que retire la batería.
- No utilice la máquina si alguna pieza ha sufrido daños o está doblada.
- Retire todos los objetos, como cordones, luces, cables o cuerdas que puedan enredarse en la cuchilla de corte y generar un riesgo de lesiones personales.

▲ AVISO

Si la cuchilla se atasca en un cable o línea eléctrica, ¡NO TOQUE LA CUCHILLA! PUEDE TENER CORRIENTE Y SER PELIGROSA. Realice estos pasos:

1. Sujete el asa posterior aislada o deje la máquina lejos de usted.
2. Desconecte el suministro eléctrico a la línea o cable dañado antes de intentar liberar la cuchilla.

9.1 PUESTA EN MARCHA DE LA MÁQUINA



1. Tire del botón de bloqueo de seguridad con el pulgar y posteriormente apriete el gatillo.
2. Suelte el botón de bloqueo de seguridad.

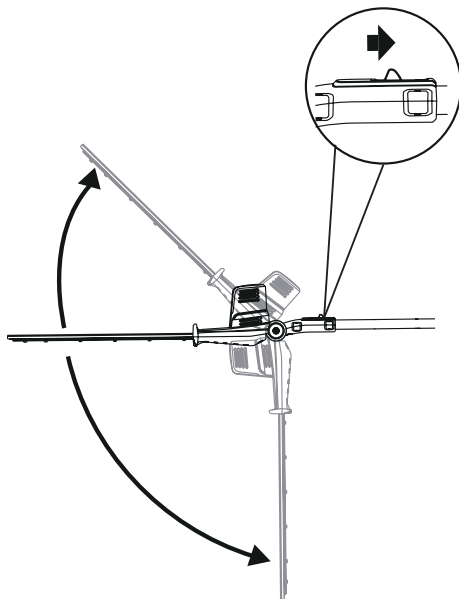
▲ AVISO

Sujete la máquina con las dos manos durante el funcionamiento.

9.2 DETENCIÓN DE LA MÁQUINA

1. Suelte el gatillo para detener la máquina.

9.3 AJUSTE DEL ÁNGULO DEL CABEZAL DE CORTE



El cabezal de corte puede bloquearse en 7 posiciones.

1. Tire del botón de articulación y mueva el cabezal hacia delante o hacia atrás hasta la posición deseada.
2. Suelte el botón de articulación.
3. Compruebe que el cabezal de corte se bloquee en su posición con seguridad.

9.4 CONSEJOS DE FUNCIONAMIENTO

- Empiece a cortar la parte superior del seto. Incline ligeramente la herramienta (hasta 15° con relación a la línea de corte) de modo que las puntas de la cuchilla apunten ligeramente hacia el seto. Esto hará que las cuchillas corten de forma más eficiente. Sujete la herramienta al ángulo deseado y muévala uniformemente a lo largo de la línea de corte. La cuchilla de doble cara le permite cortar en cualquier dirección.
- Para obtener un corte muy recto, extienda un tramo de cuerda a lo largo del seto a la altura deseada. Utilice la cuerda como guía y corte justo por encima de esta.
- Para obtener lados planos, corte hacia arriba en el sentido del crecimiento. Los tallos más jóvenes se mueven hacia fuera cuando la cuchilla corta hacia abajo, dejando secciones poco profundas en el seto.
- Tenga cuidado de evitar objetos extraños. Evite especialmente los objetos duros, como cables metálicos y vallas, ya que podrían dañar las cuchillas.

- Engrase las cuchillas periódicamente.

▲ AVISO

Mantenga las manos alejadas de la cuchilla durante el funcionamiento. El contacto con la cuchilla provocará lesiones personales graves.

10 MANTENIMIENTO

▲ PRECAUCIÓN

No permita que líquidos de frenos, gasolina y otros derivados del petróleo toquen las piezas de plástico. Las sustancias químicas pueden dañar el plástico y hacer que quede inservible.

▲ PRECAUCIÓN

No utilice disolventes o detergentes fuertes en la carcasa o los componentes de plástico.

▲ AVISO

Retire la batería de la máquina antes de realizar tareas de mantenimiento.

10.1 LIMPIEZA DE LA MÁQUINA

▲ AVISO

Mantenga la máquina y el motor libres de hojas, ramas o exceso de aceite para evitar riesgos de incendio.

- Utilice un paño húmedo con un detergente suave para limpiar la máquina.
- Limpie toda la humedad con un paño suave y seco.
- Utilice un cepillo pequeño para limpiar los orificios de ventilación.

10.2 LUBRICACIÓN DE LA CUCHILLA

Para aumentar la eficiencia y la duración de las cuchillas, lubríquelas cuidadosamente tras cada sesión de trabajo:

- Coloque la máquina sobre una superficie plana y lisa.
- Utilice un paño suave para limpiar las cuchillas y un cepillo para eliminar más suciedad.
- Utilice una capa ligera de aceite para lubricar las cuchillas a lo largo del filo superior de la cuchilla.

i NOTA

Recomendamos utilizar aceite de tipo no contaminante.

11 ALMACENAMIENTO DE LA MÁQUINA

i NOTA

Limpie la máquina antes del almacenamiento.

1. Retire la batería.
2. Deje que el motor se enfríe.
3. Compruebe que no haya componentes sueltos o dañados. En caso necesario, sustituya los componentes dañados, apriete los tornillos y los pernos o consulte con una persona de un centro de servicio autorizado.
4. Almacene la máquina en un lugar fresco y seco.

12 SOLUCIÓN DE PROBLEMAS

Problema	Posible causa	Solución
El motor se apaga mientras trabaja.	La batería no se ha instalado bien.	Asegúrese de que ha instalado bien la batería en la máquina.
	La batería se ha agotado.	Cargue la batería.
	La máquina ha sufrido daños.	No utilice la máquina y consulte con un centro de servicio.
La máquina echa humo durante el funcionamiento.	La máquina ha sufrido daños.	<ol style="list-style-type: none"> 1. Detenga la máquina inmediatamente. 2. Retire la batería. 3. Consulte con un centro de servicio.
El motor está en marcha, las cuchillas no se mueven.	La máquina ha sufrido daños.	No utilice la máquina y consulte con un centro de servicio.
	Las cuchillas están bloqueadas.	Retire la batería y posteriormente elimine el bloqueo de las cuchillas.
Durante el trabajo se experimenta demasiado ruido o vibración.	Las piezas están sueltas.	<ol style="list-style-type: none"> 1. Detenga la máquina. 2. Retire la batería. 3. Inspeccione si hay daños. 4. Compruebe y apriete las piezas sueltas.
	Las piezas han sufrido daños.	No utilice la máquina y consulte con un centro de servicio.

13 DATOS TÉCNICOS

Tensión	80V
Velocidad sin carga	3000(±10%) SPM
Longitud de cuchilla	20"
Capacidad de corte	3/4"
Peso (sin batería)	9.46 lbs. (4.29 kg)
Modelo de batería	GBA80200, GBA80250, GBA80400, GBA80500 y otras series BAB
Modelo de cargador	GCH8040 y otras series CAB

14 GARANTÍA LIMITADA



Por la presente Greenworks garantiza este producto, al comprador original con el comprobante de compra, durante un periodo de cuatro (4) años frente a defectos en materiales, piezas o mano de obra. A su entera discreción Greenworks reparará o sustituirá cualquiera y todas las piezas que resulten ser defectuosas, con un uso normal, sin coste alguno para el cliente. Esta garantía es válida únicamente para unidades que se hayan utilizado para uso personal que no han sido arrendadas o alquiladas para uso industrial/comercial y cuyo mantenimiento se ha realizado de acuerdo con las instrucciones del manual del propietario suministrado con el producto nuevo.

ARTÍCULOS NO CUBIERTOS POR LA GARANTÍA:

1. Cualquier pieza que no funcione debido a mal uso, uso comercial, abuso, negligencia, accidente, mantenimiento inadecuado o alteración; o
2. La unidad, si no ha sido utilizada o mantenida de acuerdo con el manual del propietario; o
3. Desgaste normal, excepto en lo indicado a continuación;
4. Artículos de mantenimiento de rutina tales como lubricantes, afilado de cuchillas;
5. Deterioro normal del acabado exterior debido al uso o la exposición.

LÍNEA DE ASISTENCIA TELEFÓNICA:

Puede contactar con el servicio de garantía llamando a nuestra línea de asistencia telefónica gratuita, a 1-855-345-3934.

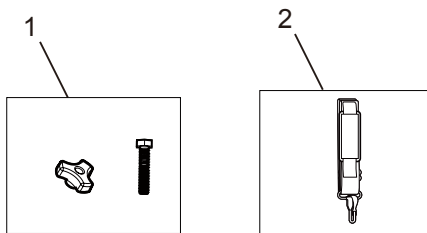
COSTES DE TRANSPORTE:

Los costes de transporte por el desplazamiento de cualquier unidad o accesorio de equipos eléctricos son responsabilidad del comprador. Es responsabilidad del comprador pagar los costes de transporte de cualquier pieza enviada para su sustitución bajo esta garantía, a menos que dicha devolución sea solicitada por escrito por Greenworks.

Dirección en EE.UU.: Dirección en Canadá:

Greenworks Tools P.O. Box 1238 Mooresville, NC 28115	Greenworks Tools Canada Inc. P.O. Box 93095, Newmarket, Ontario L3Y 8K3
--	--

15 VISTA DESPIEZADA



Nº	Nº pieza	Cant.	Descripción
1	R0200804-00	1	Conjunto del mando
2	RB37902144 C	1	Correa de hombro

