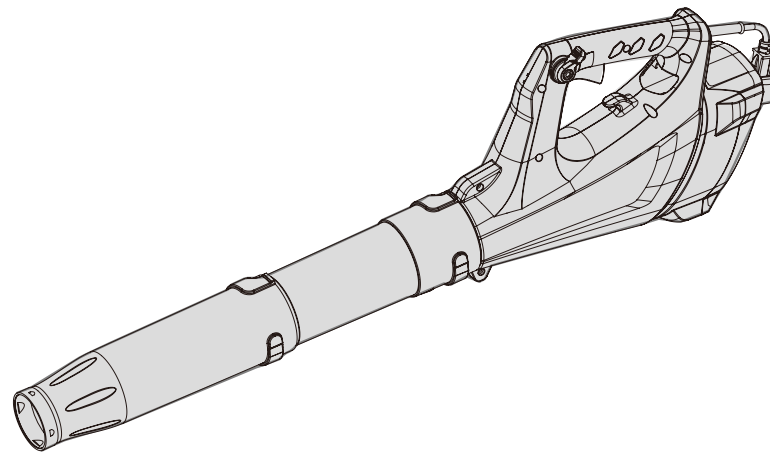


00-093Z080J

# greenworks

BA09B00

EN	BLOWER	OPERATOR MANUAL
FR	SOUFFLEUSE	MANUEL D'OPÉRATEUR
ES	SOPLADOR	MANUAL DEL OPERADOR



BLA892

www.greenworkstools.com

210

145

SCALE: A5

说明书技术要求:

1. 材质要求: 60g双胶纸, 共28p
2. 说明书为单色印刷;
3. 骑马钉装订, 裁切均匀、无连页。
4. 说明书可封样、要求无色差、无污点。
5. 料件需符合格力博HSF文件(编号: GLB-CGR-146) 里关于环保和有害物质的具体要求。

版本号

B1

描 复

@1 附件内容更新 张君4.15

标记	处数	更改文件号	签名	日期
----	----	-------	----	----

日 期

设计	张君	标准化	王小妮	阶段标记	视角标记	重量	比例
----	----	-----	-----	------	------	----	----

校对	杨媛			S	A	B	
----	----	--	--	---	---	---	--

审核	周艳	批准	李海平				
----	----	----	-----	--	--	--	--

		日期	20.04.07				
--	--	----	----------	--	--	--	--

共 1 张

第 1 张

常州格力博集团

## 说明书

GWK 9A吹风机

2400902

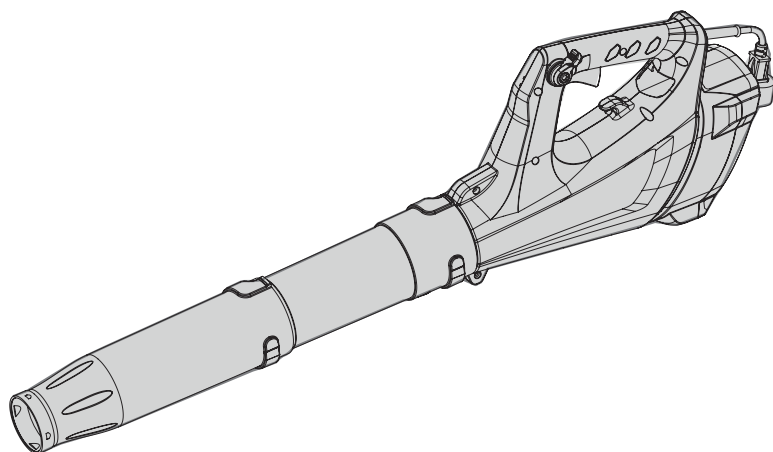
ERP号

P0802360-00

# greenworks

BA09B00

EN	BLOWER	OPERATOR MANUAL
FR	SOUFFLEUSE	MANUEL D'OPÉRATEUR
ES	SOPLADOR	MANUAL DEL OPERADOR



**BLA892**

[www.greenworkstools.com](http://www.greenworkstools.com)



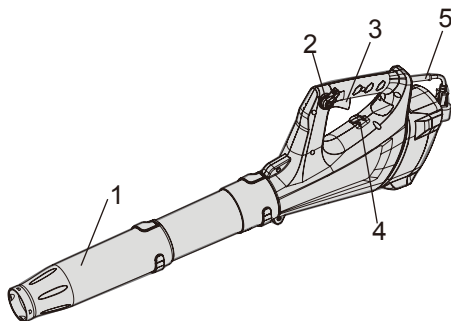
<b>1</b>	<b>Description.....</b>	<b>4</b>	10.1	Start the machine.....	7
1.1	Purpose.....	4	10.2	Stop the machine.....	7
1.2	Overview.....	4	10.3	Cruise control.....	7
<b>2</b>	<b>Important safety instructions.....</b>	<b>4</b>	10.4	Operation tips.....	7
<b>3</b>	<b>Double-insulated appliances.....</b>	<b>4</b>	<b>11</b>	<b>Maintenance.....</b>	<b>8</b>
<b>4</b>	<b>Proposition 65.....</b>	<b>5</b>	11.1	Clean the machine.....	8
<b>5</b>	<b>Child safety.....</b>	<b>5</b>	11.2	Examine extension cables.....	8
<b>6</b>	<b>Save these instructions.....</b>	<b>6</b>	<b>12</b>	<b>Transportation and storage.....</b>	<b>8</b>
<b>7</b>	<b>Symbols on the product.....</b>	<b>6</b>	12.1	Move the machine.....	8
<b>8</b>	<b>Risk levels.....</b>	<b>6</b>	12.2	Store the machine.....	8
<b>9</b>	<b>Installation.....</b>	<b>6</b>	<b>13</b>	<b>Troubleshooting.....</b>	<b>8</b>
9.1	Unpack the machine.....	6	<b>14</b>	<b>Technical data.....</b>	<b>8</b>
9.2	Install the blower tube.....	7	<b>15</b>	<b>Limited warranty.....</b>	<b>8</b>
9.3	Connect the power cord.....	7	<b>16</b>	<b>Exploded view.....</b>	<b>9</b>
<b>10</b>	<b>Operation.....</b>	<b>7</b>			

## 1 DESCRIPTION

### 1.1 PURPOSE

The machine is used to propel air out of a tube to move unwanted materials such as leaves in the yard. Some machines also suck in leaves and small twigs through a vacuum, and shred them into a bag.

### 1.2 OVERVIEW



- |                  |                 |
|------------------|-----------------|
| 1 Blower tube    | 4 Cord retainer |
| 2 Cruise Control | 5 Power cord    |
| 3 Trigger        |                 |

## 2 IMPORTANT SAFETY INSTRUCTIONS

For household use.

**READ ALL INSTRUCTIONS BEFORE USING (THIS POWER TOOL)**

### ▲ WARNING

**Read and understand all instructions before using this product.** Failure to follow all instructions listed below may result in electric shock, fire, and/or serious personal injury. When using an electrical appliance, basic precautions should always be followed, including the following:

- Do not use on wet surfaces.
- Do not charge the unit outdoors.
- Do not allow to be used as a toy. Close attention is necessary when used by or near children.
- Use only as described in this manual. Use only manufacturer's recommended attachments.
- If appliance is not working as it should, has been dropped, damaged, left outdoors, or dropped into water, return it to a service center.
- Do not handle appliance with wet hands.
- Do not put any object into openings. Do not use with any opening blocked; keep free of dust, lint, hair, and anything that may reduce air flow.

- Keep hair, loose clothing, fingers and all body parts away from openings and moving parts.
- Use extra care when cleaning on stairs.
- Do not operate power tools in an explosive atmosphere, such as in the presence of flammable liquids, gases, or dust. Power tools create sparks that may ignite the dust or fumes.
- Never allow children to operate the equipment. Never allow adults to operate the equipment without proper instruction.
- Wear heavy long pants, boots, and gloves. Avoid loose garments or jewellery that could get caught in moving parts of the machine or its motor.
- Do not force tool. Use the correct tool for your application. The correct tool will do the job better and safer at the rate for which it is designed.
- Keep firm footing and balance. Do not overreach. Overreaching can result in loss of balance.
- Do not use the tool if the switch does not turn it on or off. Any tool that cannot be controlled with the switch is dangerous, and must be repaired.
- Do not operate this unit when you are tired, ill, or under the influence of alcohol, drugs, or medication.
- Do not operate in poor lighting.
- Do not use to pick up flammable or combustible liquids, such as gasoline, or use in areas where they may be present
- Do not pick up anything that is burning or smoking, such as cigarettes, matches, or hot ashes.
- Do not use without dust bag and/or filters in place (if applicable).
- Check the work area before each use. Remove all objects such as rocks, broken glass, nails, wire, or string which can be thrown or become entangled in the machine.
- Use only identical manufacturer's replacement parts and accessories. Use of any other parts may create a hazard or cause product damage.
- To Reduce The Risk Of Electric Shock – Do Not Expose To Rain – Store Indoors.

## 3 DOUBLE-INSULATED APPLIANCES

- To reduce the risk of electric shock, this appliance has a polarized plug (one blade is wider than the other) and will require the use of a polarized extension cord. The appliance plug will fit into a polarized extension cord only one way. If the plug does not fit fully into the extension cord, reverse the plug. If the plug still does not fit, obtain a correct polarized extension cord. A polarized extension cord will require the use of a polarized wall outlet. This plug will fit into the polarized wall outlet only one way. If the plug does not fit fully into the wall outlet, reverse the plug. If the plug still does not fit, contact a qualified electrician to install the proper wall

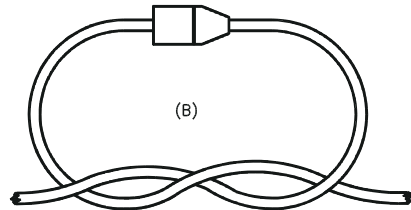
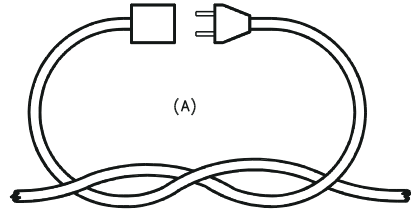
outlet. Do not change the equipment plug, extension cord receptacle, or extension cord plug in any way.

- In a double-insulated appliance, two systems of insulation are provided instead of grounding.
- No grounding means is provided on a double-insulated appliance, nor should a means for grounding be added to the appliance. Servicing a double-insulated appliance requires extreme care and knowledge of the system, and should be done only by qualified service personnel.
- Replacement parts for a double-insulated appliance must be identical to the parts they replace.
- Do not handle plug or appliance with wet hands.
- Do not leave appliance when plugged in. Unplug from outlet when not in use and before servicing.
- Do not use with damaged cord or plug. If appliance is not working as it should, has been dropped, damaged, left outdoors, or dropped into water, return it to a service center.
- This appliance is provided with double insulation. Use only identical replacement parts.
- To reduce the risk of electric shock, use only with an extension cord intended for outdoor use, such as SJW or SJTW.
- Make sure your extension cord is in good condition and is the correct size for your appliance. The table shows the correct size to use depending on cord length and nameplate ampere rating. If in doubt, use the next heavier gage. The smaller the gauge number, the heavier the cord. An undersized extension cord will cause a drop in line voltage resulting in loss of power and overheating.

**MINIMUM GAUGE FOR EXTENSION CORDS (AWG) (WHEN USING 120 V ONLY)**

Ampere rating		Total length of cord in feet (meters)			
More than	Not more than	25' (7.6 m)	50' (15 m)	100' (30.4 m)	150' (45.7 m)
0	6	18	16	16	14
6	10	18	16	14	12
10	12	16	16	14	12

- To reduce the risk of personal injury due to a loose electrical connection between the appliance's plug and extension cord, firmly and fully attach the appliance plug to the extension cord.
- Periodically check the connection while operating to ensure it is fully attached.
- Do not use an extension cord that provides a loose connection. A loose connection may result in overheating, fire, and increases the risk of a burning.
- To reduce the risk of disconnection of the appliance cord from the extension cord during operating:
  1. Make a knot as shown in figure.



- Maintain appliance with care – Inspect extension cords periodically and replace if damaged.

## 4 PROPOSITION 65

### ▲ WARNING

This product contains a chemical known to the state of California to cause cancer, birth defects or other reproductive harm. Some dust created by power sanding, sawing, grinding, drilling, and other construction activities contains chemicals known to cause cancer, birth defects or other reproductive harm. Some examples of these chemicals are:

- Lead from lead-based paints;
- Crystalline silica from bricks and cement and other masonry products;
- Arsenic and chromium from chemically treated lumber.

Your risk of exposure to these chemicals varies depending on how often you do this type of work. To reduce your exposure to these chemicals, work in a well-ventilated area, and work with approved safety equipment, such as dust masks that are specially designed to filter out microscopic particles.

Save these instructions.

## 5 CHILD SAFETY

Tragic accidents can occur if the operator is not aware of the presence of children.

- Keep children out of the working area and under the watchful care of a responsible adult.
- Do not allow children under the age of 14 to operate this machine. Children who are 14 years of age and older must read and understand the operating instructions and

safety rules in this manual and must be trained and supervised by a parent.

- Stay alert, and turn the machine off if a child or any other person enters the working area.
- Use extreme care when approaching blind corners, doorways, shrubs, trees, or other objects that may obscure your view of a child who may run into the path of the machine.

## 6 SAVE THESE INSTRUCTIONS

## 7 SYMBOLS ON THE PRODUCT

Some of the following symbols may be used on this tool. Please study them and learn their meaning. Proper interpretation of these symbols will allow you to operate the tool better and safer.

Symbol	Explanation
V	Voltage
A	Current
W	Power
min	Time
/min	Revolutions, strokes, surface speed, or bits etc., per minute
	Direct current
	Read and understand all instructions before operating the product, and follow all warnings and safety instructions.
	Precautions that involve your safety.
	Wear ear protection when operating this equipment.
	Always wear eye protection with side shields marked to comply with ANSI Z87.1 when operating this equipment.
	Do not expose the product to rain or moist conditions.
	Keep all bystanders at least 15 m away.
	Do not touch the fan when you operate this machine.
	Failure to keep loose clothing from being drawn into air intake could result in personal injury.

Symbol	Explanation
	Failure to keep long hair away from the air inlet could result in personal injury.
	Rotating impeller blades can cause severe injury.
	Double-insulated construction

## 8 RISK LEVELS

The following signal words and meanings are intended to explain the levels of risk associated with this product.

SYMBOL	SIGNAL	MEANING
	DANGER	Indicates an imminently hazardous situation, which, if not avoided, will result in death or serious injury.
	WARNING	Indicates a potentially hazardous situation, which, if not avoided, could result in death or serious injury.
	CAUTION	Indicates a potentially hazardous situation, which, if not avoided, may result in minor or moderate injury.
	CAUTION	(Without Safety Alert Symbol) Indicates a situation that may result in property damage.

## 9 INSTALLATION

### 9.1 UNPACK THE MACHINE

#### WARNING

Make sure that you correctly assemble the machine before use.

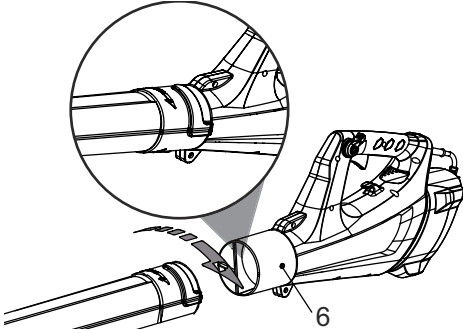
#### WARNING

- If the parts are damaged, do not use the machine.
- If you do not have all the parts, do not operate the machine.
- If the parts are damaged or missing, speak to the service center.

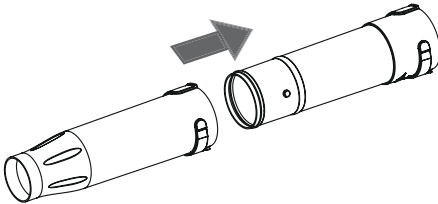
1. Open the package.
2. Read the documentation in the box.
3. Remove all the unassembled parts from the box.
4. Remove the machine from the box.

- Discard the box and package in compliance with local regulations.

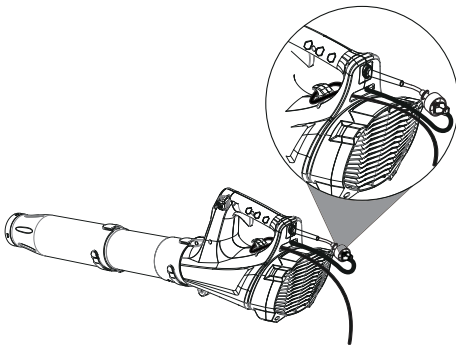
## 9.2 INSTALL THE BLOWER TUBE



- Align the grooves on the rear tube with tabs (6) on the blower housing.
- Install the rear tube onto the blower housing until the tabs (6) engage the grooves.
- Turn the rear tube in the direction of the arrow until the two tabs lock into the positions.
- Connect the front tube in the same procedure above.



## 9.3 CONNECT THE POWER CORD



- Attach the extension cable to the motor housing with the cord retainer. This prevents accidental removal of the electrical cable.

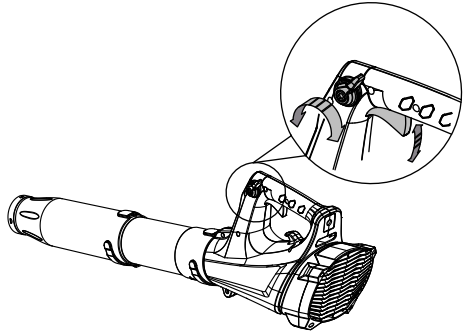
- Make a loop in the extension cord.
- Pass it through the gap and place it over the hook.
- Connect the female end of the electrical cable into the receptacle behind the unit.

## 10 OPERATION

### ▲ WARNING

Make sure the blower tube is in position before operation.

### 10.1 START THE MACHINE



- Pull the trigger to start the machine.
- Pull the trigger fully to increase the speed.
- Release the trigger to decrease the speed.

### 10.2 STOP THE MACHINE

- Release the trigger to stop the machine.

### i NOTE

Wait until the motor stops after you stop the machine.

### 10.3 CRUISE CONTROL

- Pull the cruise control clockwise to increase the speed. This will lock the speed at the desired setting.
- Push the cruise control lever counter clockwise to decrease the speed.

### i NOTE

If you decrease the speed all the way, the unit will stop and it is necessary to start the machine again.

### 10.4 OPERATION TIPS

- Blow around the outer edge of the unwanted materials to prevent the unwanted materials from scattering.
- Use rakes and brooms to clear the unwanted material before you blow.



- Make the surfaces wet before you clear the unwanted material in dusty conditions.
- Look out for children, pets, open windows, and cleaned cars during operation.
- Clean the machine.
- Discard the unwanted material when you complete work.

## 11 MAINTENANCE

### ▲ CAUTION

Do not let brake fluids, gasoline, petroleum-based materials touch the plastic parts. Chemicals can cause damage to the plastic, and make the plastic unserviceable.

### ▲ CAUTION

Do not use strong solvents or detergents on the plastic housing or components.

### ▲ WARNING

Disconnect the plug from the power source before maintenance.

### 11.1 CLEAN THE MACHINE

### ▲ CAUTION

The machine must be dry. Humidity can cause risks of electrical shocks.

- Clear the unwanted material out of the air vent with a vacuum cleaner.
- Do not spray the air vent or put the air vent in solvents.
- Clean the housing and the plastic components with a moist and soft cloth.

### 11.2 EXAMINE EXTENSION CABLES

- Look carefully for deterioration, cuts or cracks in the insulation.
- Examine the plug for damage.
- Replace cables if defective or damaged.

## 12 TRANSPORTATION AND STORAGE

### ▲ WARNING

Disconnect the plug from the power source before transportation and storage.

### 12.1 MOVE THE MACHINE

- Only hold the machine with the handgrip.

### 12.2 STORE THE MACHINE

- Clean the machine before storage.

- Make sure that the motor is not hot when you store the machine.
- Make sure that the machine does not have loose or damaged parts. If it is necessary, do these steps/instructions:
  - Replace the damaged parts.
  - Tighten the bolts.
  - Speak to a person of an approved service center.
- Store the machine in a dry area.
- Make sure that children cannot come near the machine.

## 13 TROUBLESHOOTING

PROBLEM	POSSIBLE CAUSE	SOLUTION
The motor does not start when you pull the trigger.	The unit is disconnected.	Connect to an outlet or an extension cable.
The machine does not start.	The power switch is defective.	Replace the defective parts by an approved service center.
	The motor is defective.	
	The PCB board is defective.	
The air does not flow through the tube when you start the machine.	The air inlet or tube outlet has a blockage.	Remove the blockage.
Cruise Control Lever does not work.	The screw is loose.	Tighten the screw with a screwdriver.

## 14 TECHNICAL DATA

Voltage	9A
Air volume	530 CFM
Air speed	130 MPH (209 Km/h)
Weight	5.5 lbs. (2.5 kg)

## 15 LIMITED WARRANTY



Greenworks hereby warranties this product, to the original purchaser with proof of purchase, for a period of three (3)

years against defects in materials, parts or workmanship. Greenworks, at its own discretion will repair or replace any and all parts found to be defective, through normal use, free of charge to the customer. This warranty is valid only for units which have been used for personal use that have not been hired or rented for industrial/commercial use, and that have been maintained in accordance with the instructions in the owners' manual supplied with the product from new.

No.	Part No.	Qty	Description
1	R0201031-00	1	Cruise control assembly
2	R0201166-00	1	Tube

#### ITEMS NOT COVERED BY WARRANTY:

1. Any part that has become inoperative due to misuse, commercial use, abuse, neglect, accident, improper maintenance, or alteration; or
2. The unit, if it has not been operated and/or maintained in accordance with the owner's manual; or
3. Normal wear, except as noted below;
4. Routine maintenance items such as lubricants, blade sharpening;
5. Normal deterioration of the exterior finish due to use or exposure.

#### HELPLINE:

Warranty service is available by calling our toll-free helpline, at 1-888-909-6757.

#### TRANSPORTATION CHARGES:

Transportation charges for the movement of any power equipment unit or attachment are the responsibility of the purchaser. It is the purchaser's responsibility to pay transportation charges for any part submitted for replacement under this warranty unless such return is requested in writing by Greenworks.

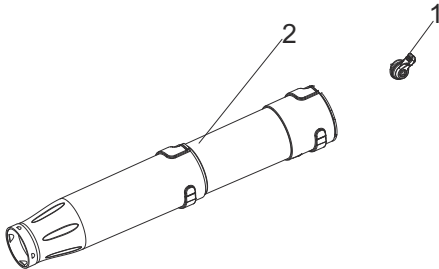
#### USA address:

Greenworks Tools  
P.O. Box 1238  
Mooresville, NC 28115

#### Canadian address:

Greenworks Tools Canada Inc.  
1110 Stellar Drive Unit 102  
Newmarket, ON, L3Y 7B7

## 16 EXPLODED VIEW



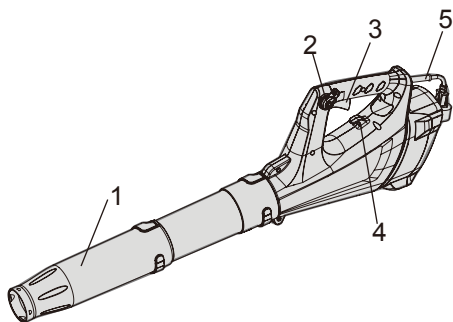
<b>1</b>	<b>Description.....</b>	<b>11</b>			
1.1	But.....	11			
1.2	Aperçu.....	11			
<b>2</b>	<b>Instructions importantes sur la sécurité.....</b>	<b>11</b>			
<b>3</b>	<b>Appareils à double isolation.....</b>	<b>12</b>			
<b>4</b>	<b>Proposition 65.....</b>	<b>13</b>			
<b>5</b>	<b>Sécurité des enfants.....</b>	<b>13</b>			
<b>6</b>	<b>Conservez ces instructions.....</b>	<b>13</b>			
<b>7</b>	<b>Symboles figurant sur la machine.....</b>	<b>13</b>			
<b>8</b>	<b>Niveaux de risques.....</b>	<b>13</b>			
<b>9</b>	<b>Installation.....</b>	<b>14</b>			
9.1	Déballer la machine.....	14			
9.2	Installez le tube de la souffleuse.....	14			
9.3	Branchez le cordon d'alimentation.....	14			
<b>10</b>	<b>Utilisation.....</b>	<b>15</b>			
10.1	Démarrez la machine.....	15			
10.2	Arrêtez la machine.....	15			
10.3	Régulateur de vitesse.....	15			
10.4	Conseils sur l'utilisation.....	15			
<b>11</b>	<b>Entretien.....</b>	<b>15</b>			
11.1	Nettoyez la machine.....	15			
11.2	Examinez les rallonges.....	15			
<b>12</b>	<b>Transport et entreposage.....</b>	<b>16</b>			
12.1	Déplacez la machine.....	16			
12.2	Entreposez la machine.....	16			
<b>13</b>	<b>Dépannage.....</b>	<b>16</b>			
<b>14</b>	<b>Données techniques.....</b>	<b>16</b>			
<b>15</b>	<b>Garantie limitée.....</b>	<b>16</b>			
<b>16</b>	<b>Vue éclatées.....</b>	<b>17</b>			

## 1 DESCRIPTION

### 1.1 BUT

La machine est utilisée pour propulser l'air hors d'un tube pour déplacer les matériaux indésirables tels que les feuilles dans la cour. Certaines machines aspirent également les feuilles et les petites brindilles dans un aspirateur et les déchiquettent dans un sac.

### 1.2 APERÇU



- |                         |                                   |
|-------------------------|-----------------------------------|
| 1 Tube de la souffleuse | 4 Dispositif de retenue du cordon |
| 2 Régulateur de vitesse | 5 Cordon d'alimentation           |
| 3 Gâchette              |                                   |

## 2 INSTRUCTIONS IMPORTANTES SUR LA SÉCURITÉ

Pour un usage ménager.

**LISEZ TOUTES LES INSTRUCTIONS AVANT L'UTILISATION (CET OUTIL ÉLECTRIQUE)**

### ▲ AVERTISSEMENT

**Lisez et comprenez toutes les instructions avant d'utiliser ce produit.** Le non-respect de ces avertissements et de ces instructions peut entraîner un choc électrique, un incendie et/ou des blessures graves. Quand vous utilisez un appareil électrique, vous devez toujours prendre les précautions de base suivantes :

- N'utilisez pas sur des surfaces humides.
- Ne chargez pas l'appareil à l'extérieur.
- N'utilisez jamais comme jouet. Une attention particulière est nécessaire lorsque la machine est utilisée par des enfants ou à proximité de ces derniers.
- Utilisez uniquement comme de la façon décrite dans ce manuel. Utilisez uniquement les accessoires recommandés par le fabricant.
- Si l'appareil ne fonctionne pas comme il le devrait, s'il est tombé, s'il a été endommagé, laissé à l'extérieur ou s'il est tombé dans l'eau, retournez-le à un centre de service.
- N'utilisez pas l'appareil avec les mains mouillées.
- N'introduisez aucun objet dans les ouvertures. Veillez à ce qu'aucun objet ne se trouve dans l'orifice lors de l'utilisation de l'appareil ; maintenir l'orifice dégagé de toutes poussières, fibre, cheveux, ou de tout ce qui pourrait réduire la circulation de l'air.
- Gardez les cheveux, les vêtements amples, les doigts et toutes les parties du corps loin des ouvertures et des pièces mobiles.
- Soyez particulièrement prudent lorsque vous nettoyez les escaliers.
- N'utilisez pas les outils électriques dans un environnement explosif, par exemple en présence de liquides, gaz ou poussières inflammables. La mise en marche de l'outil crée des étincelles qui peuvent enflammer la poussière ou les vapeurs.
- Ne laissez jamais les enfants utiliser l'appareil. Ne permettez jamais à un adulte d'opérer la machine sans qu'il ait la formation nécessaire.
- Portez des pantalons longs, des souliers de travail et des gants épais. Évitez de porter des vêtements amples ou des bijoux qui pourraient se coincer dans les pièces mobiles.
- Ne forcez pas sur l'outil. Utilisez l'outil adapté à votre application. L'outil approprié fera mieux le travail et sera plus sécuritaire au rythme pour lequel il a été conçu.
- Tenez-vous bien campé et en équilibre. Ne vous penchez pas trop en avant. Si vous vous penchez trop en avant, vous pouvez perdre l'équilibre.
- N'utilisez pas l'outil si l'interrupteur ne le met pas en marche ou à l'arrêt. Tout outil qui ne peut pas être contrôlé avec l'interrupteur est dangereux et doit être réparé.
- N'utilisez pas cet appareil si vous êtes fatigué, malade ou sous l'influence de l'alcool, de drogues ou de médicaments.
- N'utilisez pas la machine lorsque l'éclairage est insuffisant.
- N'utilisez pas cette machine pour ramasser des liquides inflammables ou combustibles, comme de l'essence, ni dans les endroits où ils peuvent être présents.
- Ne ramassez rien qui brûle ou qui fume, comme des cigarettes, des allumettes ou des cendres chaudes.
- N'utilisez pas l'appareil sans le sac à poussière ou les filtres installés (le cas échéant).
- Inspectez la zone de travail avant chaque utilisation. Enlevez tous les objets tels que les pierres, le verre brisé, les clous, les fils ou les ficelles qui peuvent être jetés ou s'em mêler dans la machine.
- Utilisez uniquement des pièces de rechange et des accessoires identiques du fabricant. L'utilisation d'autres pièces peut créer un danger ou endommager le produit.
- Pour réduire le risque de choc électrique - Ne pas exposer à la pluie - Entreposer à l'intérieur.

## 3 APPAREILS À DOUBLE ISOLATION

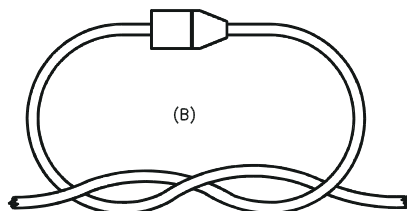
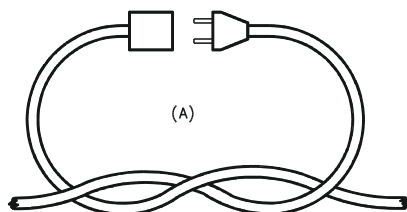
- Pour réduire le risque de choc électrique, cet appareil est équipé d'une fiche polarisée (une lame est plus large que l'autre), et doit être utilisé avec une rallonge polarisée. La fiche ne s'insère dans la rallonge polarisée que dans un sens. Si la fiche ne rentre pas correctement dans la rallonge, inversez-la. Si la fiche ne s'adapte toujours pas, obtenez une rallonge électrique polarisée appropriée. Une rallonge polarisée nécessitera l'utilisation d'une prise murale polarisée. Cette fiche ne s'insère dans la prise murale polarisée que dans un sens. Si la fiche ne rentre pas correctement dans la prise murale, inversez-la. Si la fiche ne s'insère toujours pas dans la prise, communiquez avec un électricien qualifié pour installer une prise appropriée. Ne modifiez pas la prise de l'équipement, la prise de courant de la rallonge ou la fiche de la rallonge de quelque façon que ce soit.
- Dans un appareil à double isolation, deux systèmes d'isolation sont fournis au lieu de la mise à la terre.
- Aucun moyen de mise à la terre n'est fourni sur un appareil à double isolation, et aucun moyen de mise à la terre ne doit être ajouté à l'appareil. L'entretien d'un appareil à double isolation nécessite un soin et une connaissance extrêmes du système et ne doit être effectué que par un technicien qualifié.
- Les pièces de rechange pour un appareil à double isolation doivent être identiques aux pièces qu'elles remplacent.
- Ne manipulez pas la fiche ou l'appareil avec les mains mouillées.
- Ne laissez pas l'appareil branché. Débranchez la prise lorsque vous ne l'utilisez pas et avant de l'entretenir.
- N'utilisez pas avec un cordon ou une fiche endommagé. Si l'appareil ne fonctionne pas comme il le devrait, s'il est tombé, s'il a été endommagé, laissé à l'extérieur ou s'il est tombé dans l'eau, retournez-le à un centre de service.
- Cet appareil est muni d'une double isolation. N'utilisez que des pièces de rechange identiques.
- Pour réduire le risque de choc électrique, utilisez uniquement un cordon prolongateur destiné à une utilisation à l'extérieur, tel que SJW ou SJTW.
- Assurez-vous que votre rallonge est en bon état et qu'elle est de la bonne taille pour votre appareil. Le tableau indique la taille correcte à utiliser en fonction de la longueur du cordon et de l'intensité nominale de la plaque signalétique. En cas de doute, utilisez la jauge d'une épaisseur supérieure suivante. Plus le numéro de calibre est petit, plus le cordon est épais. Un cordon d'alimentation trop petit provoquera une chute de la tension secteur, ce qui entraînera une perte de puissance et une surchauffe.

**JAUGE MINIMALE POUR RALLONGES (AWG)  
(EN CAS D'UTILISATION DE 120 V UNIQUEMENT)**

Intensité nominale		Longueur totale du cordon en mètres (pieds)			
Plus que	Pas plus de	7,6 m (25')	15 m (50')	30,4 m (100')	45,7 m (150')
0	6	18	16	16	14
6	10	18	16	14	12
10	12	16	16	14	12

- Pour réduire le risque de blessure corporelle en raison d'une connexion électrique lâche entre la fiche de l'appareil et la rallonge, fixez fermement et complètement la fiche de l'appareil à la rallonge.
- Vérifier périodiquement la connexion tout en l'opérant pour s'assurer qu'elle est entièrement attachée.
- N'utilisez pas de rallonge qui fournit une connexion lâche. Une connexion lâche peut entraîner une surchauffe, un incendie et augmente le risque de brûlure.
- Pour réduire le risque de débranchement du cordon de l'appareil de la rallonge pendant le fonctionnement :

1. Faites le nœud comme indiqué sur la figure ou.



- Effectuez l'entretien de l'appareil avec précaution – Inspectez les rallonges périodiquement et remplacez-les si elles sont endommagées.

## 4 PROPOSITION 65

### ▲ AVERTISSEMENT

Ce produit contient un produit chimique connu dans l'état de Californie comme étant une cause de cancer, de malformations congénitales ou d'autres problèmes de reproduction. Certaines poussières produites par le ponçage mécanique, le sciage, le meulage, le perçage et d'autres activités de construction contiennent des produits chimiques connus pour causer le cancer, des malformations congénitales ou d'autres problèmes de reproduction. Voici quelques exemples de ces produits chimiques :

- Plomb provenant de peintures à base de plomb;
- Silice cristalline provenant de briques, de ciment et d'autres produits de maçonnerie;
- Arsenic et chrome provenant de bois traité chimiquement.

Votre risque d'exposition à ces produits chimiques varie selon la fréquence à laquelle vous faites ce type de travail. Pour réduire votre exposition à ces produits chimiques, travaillez dans un endroit bien ventilé et utilisez un équipement de sécurité approuvé, comme des masques anti-poussière spécialement conçus pour filtrer les particules microscopiques.

**Conservez ces instructions**

## 5 SÉCURITÉ DES ENFANTS













Des accidents tragiques peuvent se produire si l'opérateur n'est pas au courant de la présence des enfants.

- Éloignez les enfants de la zone de travail et placez-les sous la surveillance d'un adulte responsable.
- Ne laissez pas un enfant de moins de 14 ans utiliser cette machine. Les enfants de 14 ans et plus doivent lire et comprendre les instructions d'utilisation et les règles de sécurité contenues dans ce manuel et doivent être formés et supervisés par un parent.
- Restez vigilant et éteignez la machine si un enfant ou une autre personne entre dans la zone de travail.
- Soyez extrêmement prudent lorsque vous vous approchez d'un angle mort, d'une porte, d'un arbuste, d'un arbre ou de tout autre objet qui pourrait masquer la vue d'un enfant qui pourrait se heurter à la machine.

## 6 CONSERVEZ CES INSTRUCTIONS




## 7 SYMBOLES FIGURANT SUR LA MACHINE

Certains des symboles suivants peuvent être utilisés sur cet outil. Veuillez les étudier et apprendre leur signification. Une bonne interprétation de ces symboles vous permettra de mieux utiliser l'outil et de manière plus sécuritaire.

Symbole	Explication
V	Voltage
A	Courant
W	Puissance
min	Heure
/min	Tours, coups, vitesse périphérique, orbites, etc., par minute
	Courant direct
	Lisez et comprenez toutes les instructions avant d'utiliser cette machine, et suivez tous les avertissements et les consignes de sécurité.
	Précautions destinées à assurer la sécurité.
	Portez un casque anti-bruit pendant l'utilisation de cet équipement.
	Portez toujours des lunettes de protection avec des protections latérales marquées conformément à la norme ANSI Z87.1 lorsque vous utilisez cet équipement.
	Ne pas exposer la machine à la pluie ou à l'humidité.
	Tenez tous les curieux à une distance d'au moins 15 m.
	Ne touchez pas le ventilateur lorsque vous utilisez cette machine.
	Si vous n'empêchez pas l'introduction des vêtements amples dans la prise d'air, vous risquez de vous blesser.
	Si vous ne gardez pas les cheveux longs loin de l'entrée d'air, vous risquez de vous blesser.
	Les lames rotatives de la roue peuvent causer des blessures graves.
	Conception à double isolation

## 8 NIVEAUX DE RISQUES

Les termes de mise en garde suivants et leur signification ont pour but d'expliquer les niveaux de risques associés à l'utilisation de ce produit.

SYMBOLE	SIGNAL	SIGNIFICATION
	DANGER	Indique une situation dangereuse imminente qui, si elle n'est pas évitée, peut entraîner la mort ou des blessures graves.
	AVERTISSEMENT	Indique une situation potentiellement dangereuse qui, si elle n'est pas évitée, peut entraîner la mort ou des blessures graves.
	MISE EN GARDE	Indique une situation potentiellement dangereuse qui, si elle n'est pas évitée, pourrait causer des blessures mineures ou modérées.
	MISE EN GARDE	(Sans symbole d'alerte de sécurité) Indique une situation pouvant entraîner des dommages matériels.

## 9 INSTALLATION

### 9.1 DÉBALLEZ LA MACHINE

#### ▲ AVERTISSEMENT

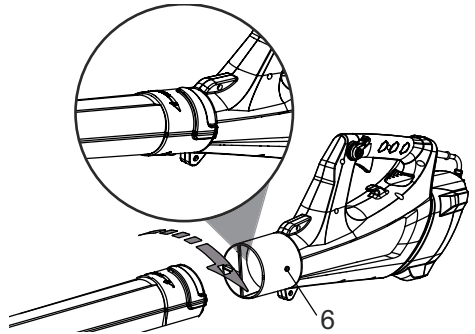
Assurez-vous d'assembler correctement la machine avant de l'utiliser.

#### ▲ AVERTISSEMENT

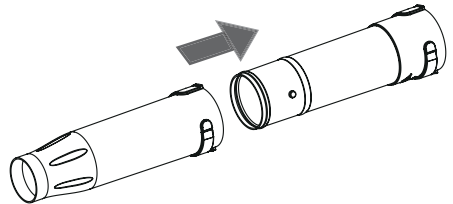
- Si les pièces sont endommagées, n'utilisez pas la machine.
- Si vous n'avez pas toutes les pièces, n'utilisez pas la machine.
- Si les pièces sont endommagées ou manquantes, communiquez avec le centre de service.

1. Ouvrez l'emballage.
2. Lisez la documentation contenue dans la boîte.
3. Retirez toutes les pièces non assemblées de la boîte.
4. Retirez la machine de sa boîte.
5. Jetez la boîte et l'emballage en respectant les règlements locaux.

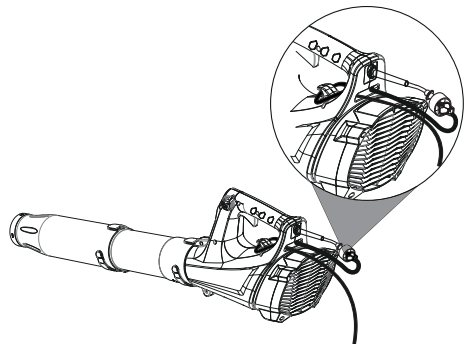
### 9.2 INSTALLEZ LE TUBE DE LA SOUFFLEUSE



1. Alignez les rainures du tube arrière avec les languettes (6) du boîtier du ventilateur.
2. Installez le tube arrière sur le boîtier du ventilateur jusqu'à ce que les languettes (6) s'engagent dans les rainures.
3. Tournez le tube arrière dans le sens de la flèche jusqu'à ce que les deux languettes se verrouillent dans les positions.
4. Connectez le tube avant en suivant les mêmes procédures décrites ci-dessus.



### 9.3 BRANCHEZ LE CORDON D'ALIMENTATION



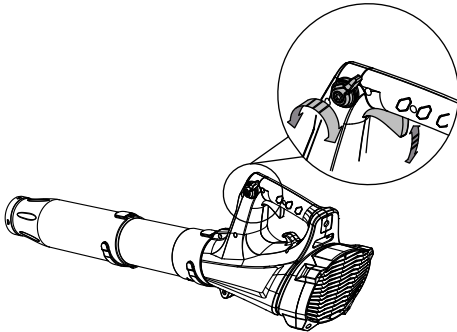
1. Fixez le câble d'extension au carter du moteur avec le dispositif de retenue du cordon. Cela évite le débranchement accidentel du câble électrique.
2. Faites une boucle dans la rallonge.
3. Faites-la passer dans l'ouverture et placez-la sur le crochet.
4. Branchez l'extrémité femelle du câble électrique dans la prise à l'arrière de l'appareil.

## 10 UTILISATION

### ▲ AVERTISSEMENT

Assurez-vous que le tube de la souffleuse est en place avant de l'utiliser.

### 10.1 DÉMARREZ LA MACHINE



1. Appuyez sur la gâchette pour démarrer la machine.
2. Appuyez sur la gâchette au maximum pour augmenter la vitesse.
3. Lâchez la gâchette pour réduire la vitesse.

### 10.2 ARRÊTEZ LA MACHINE

1. Lâchez la gâchette pour arrêter la machine.

### i REMARQUE

Attendez que le moteur s'arrête après avoir arrêté la machine.

### 10.3 RÉGULATEUR DE VITESSE

1. Tirez et faites tourner le régulateur de vitesse dans le sens des aiguilles d'une montre pour augmenter la vitesse. Ceci verrouillera la vitesse au réglage désiré.
2. Faites tourner le levier de régulateur de vitesse dans le sens contraire des aiguilles d'une montre pour augmenter la vitesse.

### i REMARQUE

Si vous diminuez la vitesse au minimum, l'appareil s'arrêtera et vous devrez relancer la machine.

## 10.4 CONSEILS SUR L'UTILISATION

- Soufflez sur le bord extérieur des matériaux indésirables pour éviter qu'ils ne se dispersent.
- Utilisez des râtaux et des balais pour éliminer les matières indésirables avant de souffler.
- Humidifiez les surfaces avant d'éliminer les matières indésirables dans les environnements poussiéreux.
- Surveillez les enfants, les animaux domestiques, ouvrez les fenêtres et les véhicules nettoyés pendant le fonctionnement.
- Nettoyez la machine.
- Débarrassez-vous matières indésirables lorsque vous avez terminé le travail.

## 11 ENTRETIEN

### ▲ ATTENTION

Évitez que les liquides de freins, l'essence et les matériaux à base de pétrole ne viennent en contact avec les pièces en plastique. Les produits chimiques peuvent endommager le plastique et le rendre inutilisable.

### ▲ ATTENTION

N'utilisez pas de solvants ou de détergents puissants sur le boîtier ou les composants en plastique.

### ▲ AVERTISSEMENT

Déconnectez la fiche de la source d'alimentation avant d'effectuer une maintenance.

### 11.1 NETTOYEZ LA MACHINE

#### ▲ ATTENTION

La machine doit être sèche. L'humidité peut provoquer des risques de chocs électriques.

- Enlevez les matières indésirables de l'évent d'air à l'aide d'un aspirateur.
- Ne vaporisez pas l'évent d'air et ne le plongez pas dans des solvants.
- Nettoyez le boîtier et les composants en plastique avec un chiffon doux et humide.

### 11.2 EXAMINEZ LES RALLONGES

- Examinez attentivement la détérioration, les coupures ou les fissures dans l'isolant.
- Examinez la fiche pour identifier les dommages.
- Remplacez les câbles en cas de défaillance ou de détérioration.



## 12 TRANSPORT ET ENTREPOSAGE

### ▲ AVERTISSEMENT

Débranchez la fiche de la source d'alimentation avant le transport et le stockage.

### 12.1 DÉPLACEZ LA MACHINE

- Tenez la machine uniquement avec la poignée.

### 12.2 ENTREPOSEZ LA MACHINE

- Nettoyez la machine avant de le stockage.
- Assurez-vous que le moteur n'est pas chaud lorsque vous entreposez la machine.
- Assurez-vous que la machine n'a pas de pièces mal fixées ou endommagées. Au besoin, suivez ces étapes/ instructions :
  - Remplacez les pièces endommagées.
  - Serrez les écrous.
  - Parlez à une personne d'un centre de service certifié.
- Entrez la machine dans un endroit sec.
- Assurez-vous que les enfants ne peuvent pas s'approcher de la machine.

## 13 DÉPANNAGE

PROBLÈME	CAUSE POSSIBLE	SOLUTION
Le moteur ne démarre pas lorsque vous appuyez sur la gâchette.	L'appareil est déconnecté.	Connectez-vous à une prise ou à une rallonge.
La machine ne démarre pas.	L'interrupteur d'alimentation est défectueux.	Faites remplacer les pièces défectueuses par un centre de service certifié.
	Le moteur est défectueux.	
	La carte de circuit imprimé est défectueuse.	
L'air ne circule pas dans le tube lorsque vous démarrez la machine.	L'entrée d'air ou la sortie du tube est obstruée.	Éliminez le blocage.
Le levier du régulateur de vitesse ne fonctionne pas.	La vis est lâche.	Serrez la vis à l'aide d'un tourne-vis.

## 14 DONNÉES TECHNIQUES

Voltage	9A
Volume d'air	530 PCM
Vitesse indiquée	130 mi/h (209 km/h)
Poids	5.5 lb. (2.5 kg)

## 15 GARANTIE LIMITÉE



Greenworks garantit par la présente ce produit, à l'acheteur original avec preuve d'achat, pour une période de trois (3) ans contre tout défaut de matériaux, de pièces ou de main-d'œuvre. Greenworks, à sa propre discrétion, réparera ou remplacera toutes les pièces défectueuses, dans des conditions normales d'utilisation, sans frais pour le client. Cette garantie n'est valable que pour les appareils qui ont été utilisés à des fins personnelles, qui n'ont pas été loués à des fins industrielles ou commerciales et qui ont été entretenus conformément aux instructions du manuel du propriétaire fourni avec le produit neuf.

### ARTICLES NON COUVERTS PAR LA GARANTIE :

1. Toute pièce qui est devenue inopérante en raison d'une mauvaise utilisation, d'une utilisation commerciale, d'un abus, d'une négligence, d'un accident, d'un entretien inapproprié ou d'une modification ; ou
2. L'appareil, s'il n'a pas été utilisé et/ou entretenu conformément au manuel du propriétaire ; ou
3. Usure normale, sauf comme indiqué ci-dessous ;
4. Articles d'entretien courant tels que lubrifiants, affûtage des lames ;
5. Détérioration normale du fini extérieur due à l'utilisation ou à l'exposition.

### ASSISTANCE TÉLÉPHONIQUE :

Le service de garantie est disponible en appelant notre ligne d'assistance téléphonique sans frais, au 1-888-909-6757.

### FRAIS DE TRANSPORT :

Les frais de transport pour le déplacement de tout équipement motorisé ou accessoire sont à la charge de l'acheteur. Il incombe à l'acheteur de payer les frais de transport pour toute pièce retournée pour remplacement en vertu de la présente garantie, à moins qu'un tel retour soit demandé par écrit par Greenworks.

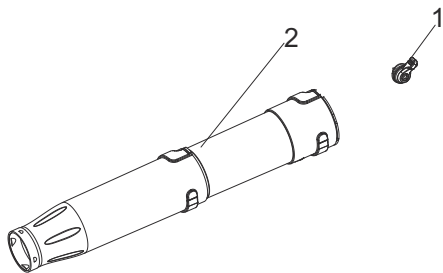
**Adresse aux Etats-Unis : Adresse au Canada :**

Greenworks Tools      Greenworks Tools Canada Inc.

P.O. Box 1238      1110 Stellar Drive Unit 102

Mooresville, NC 28115      Newmarket, ON, L3Y 7B7

## 16 VUE ÉCLATÉES



No.	No de pièce	Qté	Description
1	R0201031-00	1	Assemblage du régulateur de vitesse
2	R0201166-00	1	Tube

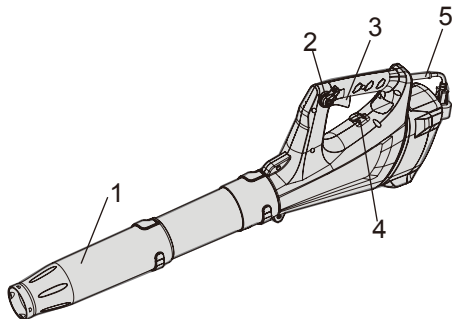
<b>1</b>	<b>Descripción.....</b>	<b>19</b>	<b>10</b>	<b>Funcionamiento.....</b>	<b>23</b>
1.1	Finalidad.....	19	10.1	Puesta en marcha de la máquina.....	23
1.2	Perspectiva general.....	19	10.2	Detención de la máquina.....	23
<b>2</b>	<b>Instrucciones importantes de seguridad.....</b>	<b>19</b>	10.3	Control de cruceo.....	23
<b>3</b>	<b>Aparatos con doble aislamiento.....</b>	<b>19</b>	10.4	Consejos de funcionamiento.....	23
<b>4</b>	<b>Propuesta 65.....</b>	<b>21</b>	<b>11</b>	<b>Mantenimiento.....</b>	<b>23</b>
<b>5</b>	<b>Seguridad infantil.....</b>	<b>21</b>	11.1	Limpieza de la máquina.....	23
<b>6</b>	<b>Conserve estas instrucciones.....</b>	<b>21</b>	11.2	Examen de los cables alargadores.....	23
<b>7</b>	<b>Símbolos en el producto.....</b>	<b>21</b>	<b>12</b>	<b>Transporte y almacenamiento.....</b>	<b>24</b>
<b>8</b>	<b>Niveles de riesgo.....</b>	<b>21</b>	12.1	Traslado de la máquina.....	24
<b>9</b>	<b>Instalación.....</b>	<b>22</b>	12.2	Almacenamiento de la máquina.....	24
9.1	Desembalaje de la máquina.....	22	<b>13</b>	<b>Solución de problemas.....</b>	<b>24</b>
9.2	Instalación del tubo soplador.....	22	<b>14</b>	<b>Datos técnicos.....</b>	<b>24</b>
9.3	Conexión del cable de alimentación.....	22	<b>15</b>	<b>Garantía limitada.....</b>	<b>24</b>
			<b>16</b>	<b>Vista despiezada.....</b>	<b>25</b>

## 1 DESCRIPCIÓN

### 1.1 FINALIDAD

La máquina se utiliza para expulsar aire por un tubo para mover materiales no deseados, como hojas en el patio. Algunas máquinas también aspiran hojas y ramitas mediante vacío y las trituran en una bolsa.

### 1.2 PERSPECTIVA GENERAL



- |                     |                         |
|---------------------|-------------------------|
| 1 Tubo soplador     | 4 Retención del cable   |
| 2 Control de cruceo | 5 Cable de alimentación |
| 3 Gatillo           |                         |

## 2 INSTRUCCIONES IMPORTANTES DE SEGURIDAD

Para uso doméstico.

**LEA TODAS LAS INSTRUCCIONES ANTES DEL USO (DE ESTA HERRAMIENTA ELÉCTRICA)**

### ▲ AVISO

**Debe leer y entender todas las instrucciones antes de utilizar este producto.** El incumplimiento de las instrucciones indicadas a continuación puede provocar descargas eléctricas, incendios o lesiones personales graves. Cuando utilice un aparato eléctrico, deben seguirse siempre precauciones básicas, incluidas las siguientes:

- No utilice sobre superficies húmedas.
- No cargue la unidad en exteriores.
- No deje que se utilice como un juguete. Es necesario prestar mucha atención cuando es utilizado por niños o cerca de estos.
- Utilice únicamente como se describe en este manual. Utilice únicamente los accesorios recomendados por el fabricante.
- Si el aparato no funciona como debería, se ha caído, ha sufrido daños, se ha dejado al aire libre o se ha caído al agua, llévelo a un centro de servicio.
- No maneje el aparato con las manos mojadas.

- No introduzca ningún objeto por las aberturas. No lo utilice con una abertura obstruida; manténgalo libre de polvo, pelusas, pelos y cualquier cosa que pueda reducir el flujo de aire.
- Mantenga el cabello, la ropa suelta, los dedos y todas las partes del cuerpo lejos de las aberturas y de las piezas móviles.
- Tenga especial cuidado al limpiar escaleras.
- No utilice herramientas eléctricas en una atmósfera explosiva, como en la presencia de líquidos, gases o polvo que puedan inflamarse. Las herramientas eléctricas generan chispas que pueden encender el polvo o los gases.
- Nunca permita que los niños utilicen el equipo. Nunca permita que utilicen el equipo adultos sin la debida instrucción.
- Lleve pantalones largos y gruesos, botas y guantes. Evite prendas sueltas o joyas que puedan engancharse en las piezas móviles de la máquina o su motor.
- No fuerce la herramienta. Utilice la herramienta correcta para su aplicación. La herramienta correcta hará el trabajo mejor y con mayor seguridad a la velocidad para la que se diseñó.
- Mantenga una posición firme y el equilibrio. No se estire. Estirarse en exceso puede hacer que pierda el equilibrio.
- No utilice la herramienta si el interruptor no la enciende o la apaga. Cualquier herramienta que no pueda controlarse con el interruptor es peligrosa y debe repararse.
- No utilice esta unidad cuando esté cansado, enfermo o bajo la influencia de alcohol, drogas o medicamentos.
- No utilice en condiciones de poca iluminación.
- No utilice el aparato para recoger líquidos inflamables o combustibles, como gasolina, ni lo utilice en zonas donde estos líquidos puedan estar presentes.
- No recoja nada que esté ardiendo o eche humo, como cigarrillos, cerillas o cenizas calientes.
- No utilice sin la bolsa para el polvo o los filtros en su posición (si corresponde).
- Compruebe la zona de trabajo antes de cada uso. Retire todos los objetos, como piedras, trozos de cristal, clavos, alambres o cuerdas que puedan salir despedidos o enredarse en la máquina.
- Utilice únicamente accesorios y piezas de repuesto idénticos del fabricante. El uso de cualquier otra pieza puede generar un riesgo o producir daños en el producto.
- Para reducir el riesgo de descarga eléctrica – No exponga a la lluvia – Almacene en interior.

## 3 APARATOS CON DOBLE AISLAMIENTO

- Para reducir el riesgo de descarga eléctrica, este aparato tiene un enchufe polarizado (una clavija es más ancha que la otra) y debe utilizarse con un cable alargador polarizado. El enchufe del aparato solo encajará en un

cable alargador polarizado de una manera. Si el enchufe no encaja completamente en el cable alargador, invierta el enchufe. Si el enchufe sigue sin encajar, obtenga un cable alargador polarizado correcto. Un cable alargador polarizado debe enchufarse en una toma de pared polarizada. Este enchufe solo encajará en la toma de pared polarizada de una manera. Si el enchufe no encaja completamente en la toma de pared, invierta el enchufe. Si el enchufe sigue sin encajar, contacte con un electricista cualificado para instalar una toma de pared adecuada. No cambie en modo alguno el enchufe del equipo, el receptáculo del cable alargador ni el enchufe del cable alargador.

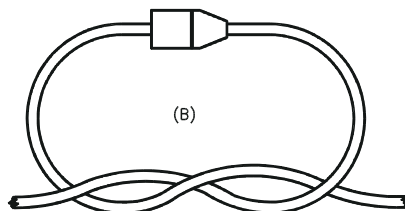
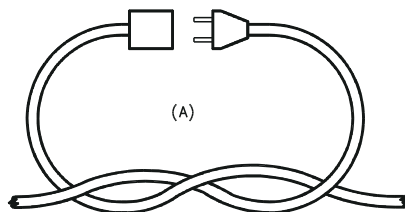
- En un aparato con doble aislamiento, se proporcionan dos sistemas de aislamiento en vez de toma de tierra.
- No hay toma de tierra en un aparato con doble aislamiento, ni debe añadirse una toma de tierra al mismo. Las tareas de servicio en un aparato con doble aislamiento exigen un cuidado extremo y un buen conocimiento del sistema y únicamente debe realizarlas personal de servicio cualificado.
- Las piezas de repuesto para un aparato con doble aislamiento deben ser idénticas a las piezas que se sustituyen.
- No maneje el enchufe o el aparato con las manos mojadas.
- No abandone el aparato cuando esté enchufado. Desenchufe cuando no se utilice y antes de realizar tareas de servicio.
- No utilice con un cable o un enchufe dañado. Si el aparato no funciona como debería, se ha caído, ha sufrido daños, se ha dejado al aire libre o se ha caído al agua, llévelo a un centro de servicio.
- Este aparato dispone de doble aislamiento. Utilice únicamente piezas de repuesto idénticas.
- Para reducir el riesgo de descarga eléctrica, utilice únicamente con un cable alargador para uso en exteriores, como SJW o SJTW.
- Asegúrese de que su cable alargador esté en buenas condiciones y sea del tamaño correcto para su aparato. La tabla muestra el tamaño correcto a utilizar según la longitud del cable y el amperaje nominal de la placa de identificación. En caso de duda, utilice el siguiente calibre más grueso. Cuanto menor sea el número de calibre, más pesado es el cable. Un cable alargador de tamaño insuficiente producirá una caída en la tensión de línea, lo que a su vez generará pérdida de energía y sobrecalentamiento.

**CALIBRE MÍNIMO PARA LOS CABLES ALARGADORES (AWG) (CUANDO SE UTILIZAN SOLAMENTE 120 V)**

Amperaje nominal		Longitud total del cable en pies (metros)			
Más de	No más de	25' (7,6 m)	50' (15 m)	100' (30,4 m)	150' (45,7 m)

0	6	18	16	16	14
6	10	18	16	14	12
10	12	16	16	14	12

- Para reducir el riesgo de lesiones personales debido a una conexión eléctrica suelta entre el enchufe del aparato y el cable alargador, fije firme y completamente el enchufe del aparato al cable alargador.
- Compruebe periódicamente la conexión durante el funcionamiento para asegurarse de que esté bien fijada.
- No utilice un cable alargador que tenga una conexión floja. Una conexión floja puede dar lugar a sobrecalentamiento, incendios y aumenta el riesgo de quemaduras.
- Para reducir el riesgo de desconexión del cable del aparato del cable alargador durante el funcionamiento:
  1. Haga un nudo como se muestra en la figura.



- Mantenga el aparato con cuidado - Inspeccione periódicamente los cables alargadores y sustitúyalos si están dañados.

## 4 PROPUESTA 65

### ▲ AVISO

Este producto contiene una sustancia química conocida en el estado de California como causante de cáncer, defectos de nacimiento u otros daños reproductivos. El polvo generado por el lijado eléctrico, el serrado, el esmerilado, la perforación y otras actividades de construcción contiene sustancias químicas que se sabe que son causantes de cáncer, defectos de nacimiento u otros daños reproductivos. Algunos ejemplos de estas sustancias químicas son:

- Plomo de pinturas con base de plomo;
- Sílice cristalina de ladrillos y cemento y otros productos de albañilería;
- Arsénico y cromo de la madera tratada químicamente.

El riesgo de exposición a estas sustancias químicas varía según la frecuencia con la que realice este tipo de trabajo. Para reducir su exposición a estas sustancias químicas, trabaje en una zona bien ventilada y trabaje con equipos de seguridad aprobados, como máscaras antipolvo, que estén especialmente diseñadas para filtrar partículas microscópicas.

Conserve estas instrucciones.

## 5 SEGURIDAD INFANTIL









Pueden producirse accidentes trágicos si el operario no es consciente de la presencia de niños.

- Mantenga a los niños fuera de la zona de trabajo y bajo la vigilancia de un adulto responsable.
- No permita que niños menores de 14 años utilicen esta máquina. Los niños de 14 años y mayores deben leer y entender las instrucciones de funcionamiento y las normas de seguridad que se encuentran en este manual y deben recibir formación y supervisión por parte de uno de sus progenitores.
- Manténgase alerta y apague la máquina si un niño o cualquier otra persona entra en la zona de trabajo.
- Tenga mucho cuidado al acercarse a esquinas ciegas, portales, arbustos, árboles u otros objetos que puedan ocultar su visión de un niño que pueda correr hacia el recorrido de la máquina.

## 6 CONSERVE ESTAS INSTRUCCIONES

## 7 SÍMBOLOS EN EL PRODUCTO



En esta herramienta pueden utilizarse algunos de los siguientes símbolos. Le rogamos que los estudie y aprenda su significado. La interpretación correcta de estos símbolos le permitirá manejar la herramienta mejor y de manera más segura.

Símbolo	Explicación
V	Tensión
A	Corriente
W	Potencia
min	Tiempo
/min	Revoluciones, carreras, velocidad de superficie, órbitas, etc., por minuto
	Corriente continua
	Debe leer y entender todas las instrucciones antes de manejar el producto, así como seguir todas las advertencias e instrucciones de seguridad.
	Precauciones que afectan a su seguridad.
	Lleve protección auditiva cuando utilice este equipo.
	Lleve siempre protección ocular con protectores laterales marcada para cumplir la ANSI Z87.1 cuando utilice este equipo.
	No exponga el producto a la lluvia o a condiciones de humedad.
	Mantenga a los transeúntes al menos a 15 m.
	No toque el ventilador cuando utilice la máquina.
	Si no evita que la ropa suelta se introduzca en la entrada de aire, podrían producirse lesiones personales.
	Si no se mantiene el cabello largo lejos de la entrada de aire, podrían producirse lesiones personales.
	Las palas giratorias del rotor pueden producir lesiones graves.
	Estructura con doble aislamiento

## 8 NIVELES DE RIESGO

Las siguientes indicaciones y significados tienen como fin explicar los niveles de riesgo asociados a este producto.

ES

SÍMBOLO	INDICACIÓN	SIGNIFICADO
	PELIGRO	Indica una situación de peligro inminente que, de no evitarse, provocará lesiones graves o incluso la muerte.
	ADVERTENCIA	Indica una situación de peligro potencial que, de no evitarse, podría provocar lesiones graves o incluso la muerte.
	PRECAUCIÓN	Indica una situación de peligro potencial que, de no evitarse, puede provocar lesiones leves o moderadas.
	PRECAUCIÓN	(Sin símbolo de alerta sobre seguridad) Indica una situación que puede provocar daños materiales.

## 9 INSTALACIÓN

### 9.1 DESEMBALAJE DE LA MÁQUINA

#### ▲ AVISO

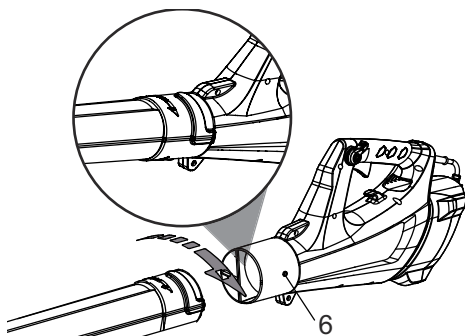
Asegúrese de montar correctamente la máquina antes del uso.

#### ▲ AVISO

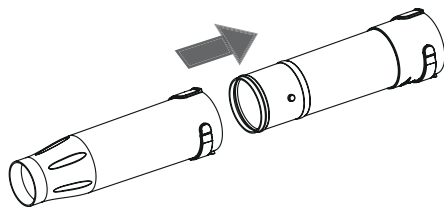
- Si las piezas presentan daños, no utilice la máquina.
- Si no tiene todas las piezas, no utilice la máquina.
- Si faltan piezas o hay piezas dañadas, hable con el centro de servicio.

1. Abra el embalaje.
2. Lea la documentación que se encuentra en la caja.
3. Retire todas las piezas sin montar de la caja.
4. Retire la máquina de la caja.
5. Deseche la caja y el embalaje de conformidad con los reglamentos locales.

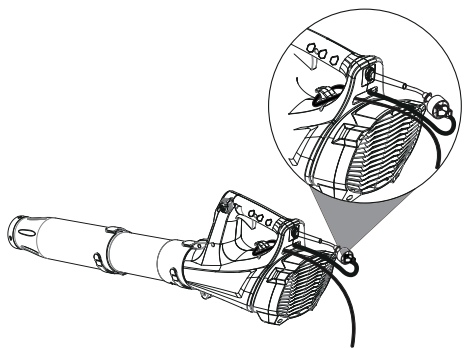
### 9.2 INSTALACIÓN DEL TUBO SOPLADOR



1. Alinee las ranuras del tubo trasero con las pestañas (6) de la carcasa del soplador.
2. Instale el tubo trasero en la carcasa del soplador hasta que las pestañas (6) encajen en las ranuras.
3. Gire el tubo trasero en la dirección de la flecha hasta que las dos pestañas se bloqueen en sus posiciones.
4. Conecte el tubo delantero con el mismo procedimiento anterior.



### 9.3 CONEXIÓN DEL CABLE DE ALIMENTACIÓN



1. Fije el cable alargador a la carcasa del motor con la retención del cable. Esto impide la retirada accidental del cable eléctrico.

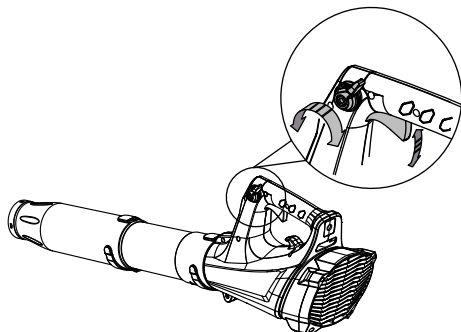
- Haga un bucle en el cable alargador.
- Páselo por el hueco y colóquelo sobre el gancho.
- Conecte el extremo hembra del cable eléctrico en el receptáculo detrás de la unidad.

## 10 FUNCIONAMIENTO

### ▲ AVISO

Asegúrese de que el tubo soplador esté en posición antes del funcionamiento.

### 10.1 PUESTA EN MARCHA DE LA MÁQUINA



- Apriete el gatillo para poner en marcha la máquina.
- Apriete el gatillo a fondo para aumentar la velocidad.
- Suelte el gatillo para disminuir la velocidad.

### 10.2 DETENCIÓN DE LA MÁQUINA

- Suelte el gatillo para detener la máquina.

### ¡ NOTA

Espere hasta que el motor se detenga tras detener la máquina.

### 10.3 CONTROL DE CRUCERO

- Tire del control de cruceo en sentido horario para aumentar la velocidad. Esto bloqueará la velocidad en el ajuste deseado.
- Empuje la palanca de control de cruceo en sentido antihorario para disminuir la velocidad.

### ¡ NOTA

Si disminuye la velocidad del todo, la unidad se detendrá y es necesario volver a poner en marcha la máquina.

## 10.4 CONSEJOS DE FUNCIONAMIENTO

- Sople alrededor del borde exterior de los materiales no deseados para evitar que estos se dispersen.
- Utilice rastrillos y escobas para quitar el material no deseado antes de soplar.
- Humedezca las superficies antes de quitar el material no deseado en condiciones de polvo.
- Tenga cuidado con los niños, las mascotas, las ventanas abiertas y los coches limpios durante el funcionamiento.
- Limpie la máquina.
- Deseche el material no deseado cuando finalice el trabajo.

## 11 MANTENIMIENTO

### ▲ PRECAUCIÓN

No permita que líquidos de frenos, gasolina y otros derivados del petróleo toquen las piezas de plástico. Las sustancias químicas pueden dañar el plástico y hacer que quede inservible.

### ▲ PRECAUCIÓN

No utilice disolventes o detergentes fuertes en la carcasa o los componentes de plástico.

### ▲ AVISO

Desconecte el enchufe de la fuente de alimentación antes del mantenimiento.

### 11.1 LIMPIEZA DE LA MÁQUINA

### ▲ PRECAUCIÓN

La máquina debe estar seca. La humedad supone un riesgo de descargas eléctricas.

- Quite el material no deseado del respiradero con un aspirador.
- No pulverice el respiradero ni lo introduzca en disolventes.
- Limpie la carcasa y los componentes de plástico con un paño húmedo y suave.

### 11.2 EXAMEN DE LOS CABLES ALARGADORES

- Observe detenidamente para ver si hay deterioro, cortes o grietas en el aislamiento.
- Examine si hay daños en el enchufe.
- Sustituya los cables si están defectuosos o dañados.



## 12 TRANSPORTE Y ALMACENAMIENTO

### ▲ AVISO

Desconecte el enchufe de la fuente de alimentación antes del transporte y el almacenamiento.

### 12.1 TRASLADO DE LA MÁQUINA

- Sujete la máquina únicamente por la empuñadura.

### 12.2 ALMACENAMIENTO DE LA MÁQUINA

- Limpie la máquina antes del almacenamiento.
- Asegúrese de que el motor no esté caliente cuando almacene la máquina.
- Asegúrese de que la máquina no tenga piezas sueltas o dañadas. Si es necesario, siga estos pasos/estas instrucciones:
  - Sustituya las piezas dañadas.
  - Apriete los pernos.
  - Hable con una persona de un centro de servicio aprobado.
- Almacene la máquina en una zona seca.
- Asegúrese de que los niños no puedan acercarse a la máquina.

## 13 SOLUCIÓN DE PROBLEMAS

PROBLEMA	POSIBLE CAUSA	SOLUCIÓN
El motor no se pone en marcha cuando aprieta el gatillo.	La unidad está desconectada.	Conecte a una toma o a un cable alargador.
La máquina no se pone en marcha.	El interruptor de encendido está defectuoso.	Las piezas defectuosas deben ser sustituidas por un centro de servicio autorizado.
	El motor está defectuoso.	
	La placa de circuitos impresos está defectuosa.	
El aire no fluye por el tubo cuando pone en marcha la máquina.	La entrada de aire o la salida del tubo tiene una obstrucción.	Elimine la obstrucción.
La palanca de control de crucero no funciona.	El tornillo está flojo.	Apriete el tornillo con un destornillador.

## 14 DATOS TÉCNICOS

Tensión	9A
Volumen de aire	530 CFM
Velocidad de aire	130 MPH (209 Km/h)
Peso	5.5 lbs. (2.5 kg)

## 15 GARANTÍA LIMITADA



Greenworks Por la presente, se garantiza este producto al comprador original en posesión de la prueba de compra por un periodo de tres (3) años contra defectos de material, piezas o mano de obra. Greenworks, a su propia discreción, reparará o reemplazará todas y cada una de las piezas que se encuentren defectuosas, en base a un uso normal, sin costo alguno para el cliente. Esta garantía es válida para aparatos de los que se ha realizado un uso personal y no han sido alquilados para aplicaciones comerciales/industriales, y que han sido sometidos a un mantenimiento tal y como se indica en las instrucciones del manual del usuario suministrado con el producto nuevo.

### LO QUE NO CUBRE LA GARANTÍA:

1. Cualquier pieza que no funcione debido al uso incorrecto, uso comercial, abusivo, negligencia, accidente, mantenimiento inadecuado, o alteración; o
2. La unidad, si no ha sido utilizada y/o mantenida siguiendo el manual del propietario; o
3. El desgaste normal, excepto según se indica a continuación.
4. Piezas que requieren un mantenimiento rutinario como lubricantes, afilar la cuchilla;
5. El deterioro normal del acabado exterior debido al uso o exposición.

### ASISTENCIA AL USUARIO:

El servicio de garantía está disponible llamando a nuestra línea de asistencia gratuita al 1-888-909-6757.

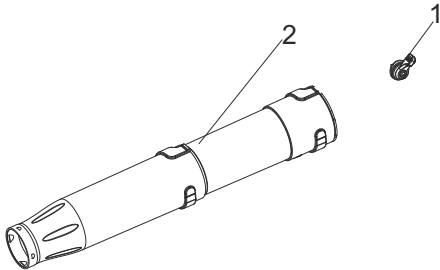
### GASTOS DE TRANSPORTE:

Los gastos de transporte del traslado de cualquier herramienta eléctrica o accesorio será responsabilidad del comprado. Es responsabilidad del comprador pagar los gastos de transporte de cualquier pieza enviada para su reemplazo bajo esta

garantía, salvo que dicha devolución sea solicitada por escrito por Greenworks.

<b>Dirección en EE.UU.:</b>	<b>Dirección en Canadá:</b>
Greenworks Tools	Greenworks Tools Canada Inc.
P.O. Box 1238	1110 Stellar Drive Unit 102
Mooresville, NC 28115	Newmarket, ON, L3Y 7B7

## 16 VISTA DESPIEZADA



Nº	Nº pieza	Can t.	Descripción
1	R0201031-00	1	Conjunto del control de cruce
2	R0201166-00	1	Tubo





