

EN

BLOWER

OPERATOR MANUAL

FR

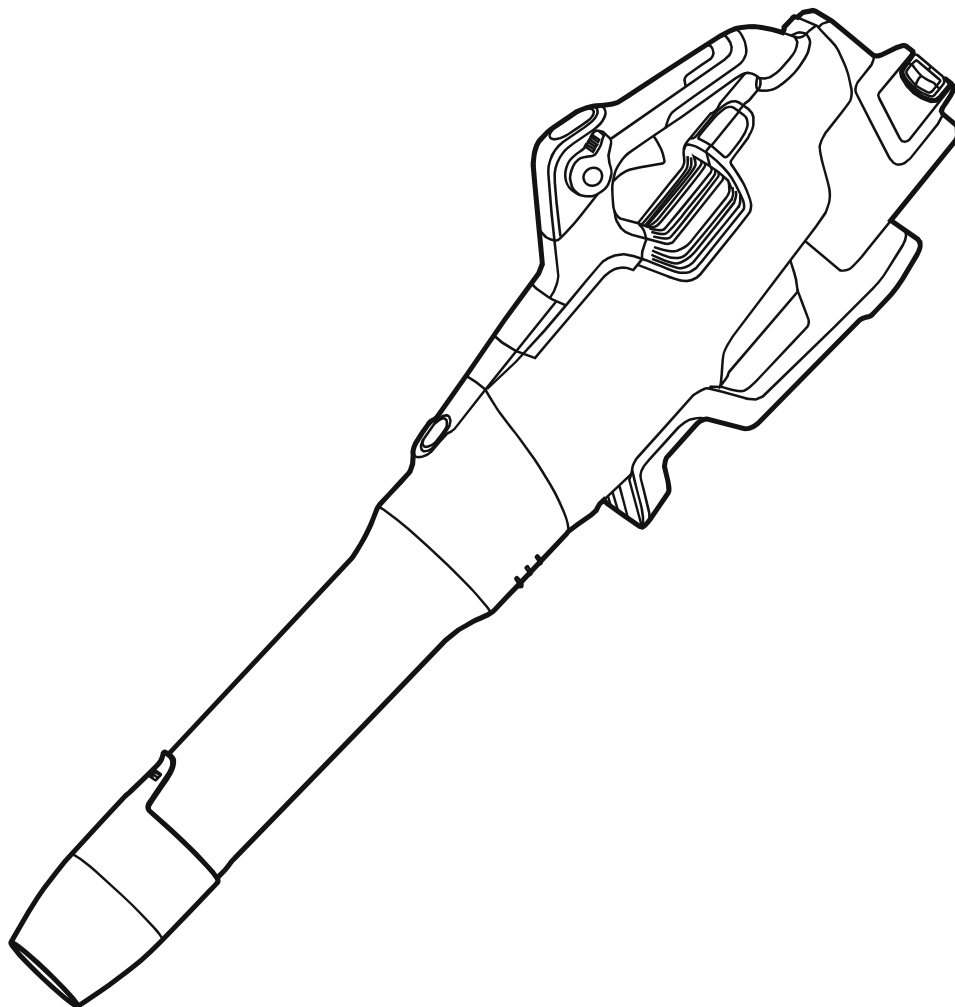
SOUFFLEUSE

MANUEL D'OPÉRATEUR

ES

SOPLADOR

MANUAL DEL OPERADOR



1	Introduction.....	4	4.5	Stop the product.....	8
1.1	Product description.....	4	5	Maintenance.....	9
1.2	Intended use.....	4	5.1	Maintenance schedule.....	9
1.3	Product overview.....	4	5.2	Check the air intake vent.....	9
1.4	Symbols on the product.....	4	5.3	Examine the battery and the battery charger.....	10
1.5	California Proposition 65.....	4	5.4	Clean the product.....	10
2	Safety.....	4	5.5	Clean the battery and battery charger.....	10
2.1	Safety definitions.....	4	6	Transportation, storage and disposal.....	11
2.2	Important safety instructions.....	5	6.1	Transportation.....	11
2.3	Battery-operated power tools.....	5	6.2	Storage.....	11
2.4	Child safety.....	6	6.3	Disposal of the battery, battery charger, and product.....	11
2.5	Save these instructions.....	6	7	Troubleshooting.....	11
3	Assembly.....	6	8	Technical data	11
3.1	Install the blower tube.....	6	9	Limited warranty.....	12
4	Operation.....	6			
4.1	Before you use the product.....	7			
4.2	Start the product.....	7			
4.3	Activate turbo boost (temporary increased airflow).....	7			
4.4	Activate cruise control (sustained airflow).....	7			

1 INTRODUCTION

1.1 PRODUCT DESCRIPTION

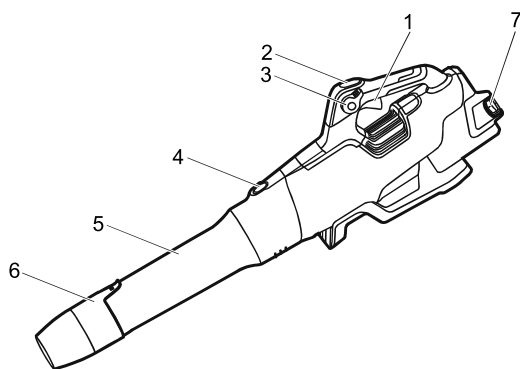
This product is a battery-operated blower with an electric motor.

We are committed to continuously improving our products and reserve the right to modify the design and appearance without prior notice.

1.2 INTENDED USE

The product is designed for clearing leaves, debris, and other materials from various surfaces such as lawns, driveways, pathways, and outdoor spaces.

1.3 PRODUCT OVERVIEW



- | | |
|------------------------|--------------------------|
| 1 Trigger | 5 Blower tube |
| 2 Turbo boost button | 6 Tapered nozzle |
| 3 Cruise control lever | 7 Battery release button |
| 4 Tube release button | |

1.4 SYMBOLS ON THE PRODUCT

Symbol	Explanation
V	Voltage
A	Current
W	Power
min	Time
/min	Revolutions, strokes, surface speed, orbits etc., per minute
— — —	Direct current
	Carefully read and understand instructions before operating the product and follow all warnings and safety instructions.

Symbol	Explanation
	Important safety precautions.
	Use ear protection when operating this product.
	Always wear eye protection with side shields marked to comply with ANSI Z87.1 when operating this product.
	Do not expose the product to rain or moist conditions.
	Keep all bystanders at least 50 ft (15m) away from the work area.
	Do not touch the fan or impeller blades when you operate this product.
	Keep loose clothing, jewelry, and accessories away from the air intake vent.
	Keep long hair away from the air intake vent.
	Do not touch. Rotating blades can cause severe injury.

1.5 CALIFORNIA PROPOSITION 65

WARNING

THIS PRODUCT CONTAINS OR EMITS A CHEMICAL KNOWN TO THE STATE OF CALIFORNIA TO CAUSE CANCER OR BIRTH DEFECTS OR OTHER REPRODUCTIVE HARM.

2 SAFETY

2.1 SAFETY DEFINITIONS

Warnings, cautions, and notes are used to point out especially important parts of the manual.

WARNING

THERE IS A RISK OF INJURY OR DEATH FOR THE OPERATOR OR BYSTANDERS IF THE INSTRUCTIONS IN THE MANUAL ARE NOT OBEYED.

⚠ CAUTION

THERE IS A RISK OF DAMAGE TO THE PRODUCT, OTHER MATERIALS, OR THE ADJACENT AREA, IF THE INSTRUCTIONS IN THE MANUAL ARE NOT OBEYED.

Note: Used to give more information that is necessary in a given situation.

2.2 IMPORTANT SAFETY INSTRUCTIONS

For household use.

READ ALL INSTRUCTIONS BEFORE USING (THIS POWER TOOL)

⚠ WARNING

READ AND UNDERSTAND ALL INSTRUCTIONS BEFORE USING THIS PRODUCT. FAILURE TO FOLLOW ALL INSTRUCTIONS LISTED BELOW MAY RESULT IN ELECTRIC SHOCK, FIRE, AND/OR SERIOUS PERSONAL INJURY. WHEN USING AN ELECTRICAL APPLIANCE, BASIC PRECAUTIONS SHOULD ALWAYS BE FOLLOWED, INCLUDING THE FOLLOWING:

- Do not use on wet surfaces.
- Do not charge the unit outdoors.
- Do not allow to be used as a toy. Close attention is necessary when used by or near children.
- Use only as described in this manual. Use only manufacturer's recommended attachments.
- If appliance is not working as it should, has been dropped, damaged, left outdoors, or dropped into water, return it to a service center.
- Do not handle appliance with wet hands.
- Do not put any object into openings. Do not use with any opening blocked; keep free of dust, lint, hair, and anything that may reduce air flow.
- Keep hair, loose clothing, fingers, and all body parts away from openings and moving parts.
- Use extra care when cleaning on stairs.
- Do not operate power tools in an explosive atmosphere, such as in the presence of flammable liquids, gases, or dust. Power tools create sparks that may ignite the dust or fumes.
- Never allow children to operate the equipment. Never allow adults to operate the equipment without proper instruction.
- Wear heavy long pants, boots, and gloves. Avoid loose garments or jewelry that could get caught in moving parts of the machine or its motor.
- Do not force tool. Use the correct tool for your application. The correct tool will do the job better and safer at the rate for which it is designed.

- Keep firm footing and balance. Do not overreach. Overreaching can result in loss of balance.
- Do not use the tool if the switch does not turn it on or off. Any tool that cannot be controlled with the switch is dangerous and must be repaired.
- Do not operate this unit when you are tired, ill, or under the influence of alcohol, drugs, or medication.
- Do not operate in poor lighting.
- Do not use to pick up flammable or combustible liquids, such as gasoline, or use in areas where they may be present.
- Do not pick up anything that is burning or smoking, such as cigarettes, matches, or hot ashes.
- Do not use without dust bag and/or filters in place (if applicable).
- Check the work area before each use. Remove all objects such as rocks, broken glass, nails, wire, or string which can be thrown or become entangled in the machine.
- Use only identical manufacturer's replacement parts and accessories. Use of any other parts may create a hazard or cause product damage.
- To Reduce The Risk Of Electric Shock – Do Not Expose To Rain – Store Indoors.
- Use only with LB60251 / LB6041 / LB6042 / LB6051 / LB6081 and other BAC battery packs.
- Use only with CAC801 / CH60R00 / CH60DP01 / CHDPC10A and other CAC chargers.

2.3 BATTERY-OPERATED POWER TOOLS

- Do not use battery-operated appliance in rain.
- Turn off all controls before removing the battery.
- Recharge only with the charger specified by the manufacturer. A charger that is suitable for one type of battery pack may create a risk of fire when used with another battery pack.
- Use only the charger supplied by the manufacturer to recharge.
- Use appliances only with specifically designated battery packs. Use of any other battery packs may create a risk of injury and fire.
- Prevent unintentional starting. Ensure the switch is in the off position before connecting to battery pack, picking up or carrying the appliance. Carry the power tool with your finger on the switch may create a risk of injury.
- Disconnect the battery pack from the power tool before making any adjustments, changing accessories, or storing the power tool. Such preventive safety measures reduce the risk of starting the power tool accidentally.
- When battery pack is not in use, keep it away from other metal objects like paper clips, coins, keys, nails, screws, or other small metal objects that can make a connection from one terminal to another.

Shorting the battery terminals together may cause burns or a fire.

- Under abusive conditions, liquid may be ejected from the battery; avoid contact. If contact accidentally occurs, flush with water. If liquid contacts eyes, additionally seek medical help. Liquid ejected from the battery may cause irritation or burns.
- Do not incinerate the appliance even if it is severely damaged. The batteries can explode in a fire.
- Do not use a battery pack or appliance that is damaged or modified. Damaged or modified batteries may exhibit unpredictable behavior resulting in fire, explosion, or risk of injury.
- Do not expose a battery pack or appliance to fire or excessive temperature. Exposure to fire or temperature above 265°F (130°C) may cause an explosion.
- Unit should only be serviced by a qualified repair technician using only Greenworks replacement parts. This will prolong the life of the unit and maintain product safety.
- Don't modify or attempt to repair the appliance or the battery pack (as applicable) except as indicated in the instructions for use and care.
- Follow all charging instructions and do not charge the battery pack or appliance outside of the temperature range specified in the instructions. Charging improperly or at temperatures outside of the specified range may damage the battery and increase the risk of fire.

2.4 CHILD SAFETY

Tragic accidents can occur if the operator is not aware of the presence of children.

- Keep children out of the working area and under the watchful care of a responsible adult.
- Do not allow children under the age of 14 to operate this machine. Children who are 14 years of age and older must read and understand the operating instructions and safety rules in this manual and must be trained and supervised by a parent.
- Stay alert and turn the machine off if a child or any other person enters the working area.
- Use extreme care when approaching blind corners, doorways, shrubs, trees, or other objects that may obscure your view of a child who may run into the path of the machine.

2.5 SAVE THESE INSTRUCTIONS

3 ASSEMBLY

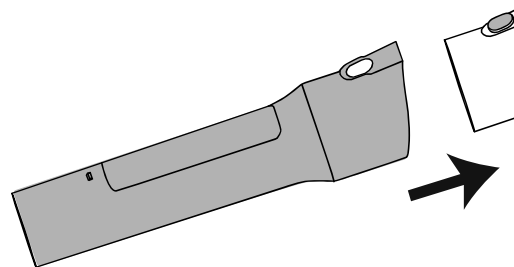
This section describes how to assemble and adjust the product.

⚠ WARNING

CAREFULLY READ AND UNDERSTAND THE SAFETY CHAPTER AND THE ASSEMBLY INSTRUCTIONS BEFORE YOU ASSEMBLE THE PRODUCT.

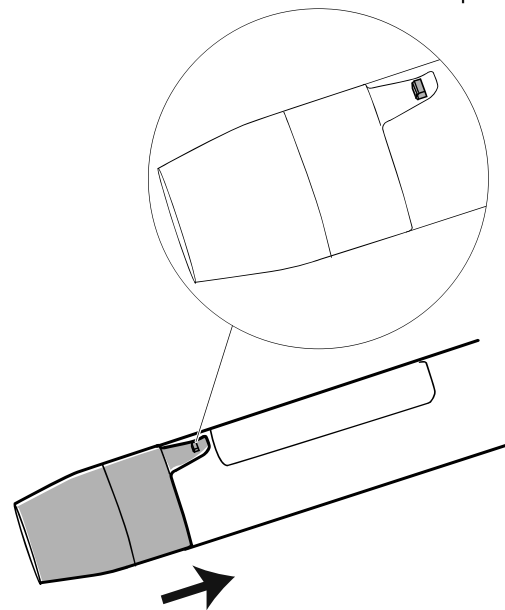
3.1 INSTALL THE BLOWER TUBE

1. Attach the blower tube to the tubular end of the product until the tube release button clicks into place in the hole.



Note: Ensure that the blower tube is securely attached to the tubular end before starting the product.

2. To achieve higher airspeed, attach the tapered nozzle to the blower tube until it clicks into place.



Note: Make sure that the tapered nozzle and the blower tube are securely attached before starting the product.

4 OPERATION

This section describes how to operate the product.

⚠ WARNING

CAREFULLY READ AND UNDERSTAND THE SAFETY CHAPTER AND OPERATION INSTRUCTIONS BEFORE YOU OPERATE THE PRODUCT.

4.1 BEFORE YOU USE THE PRODUCT**4.1.1 CONNECT THE BATTERY CHARGER**

1. Connect the battery charger to the proper voltage and frequency that is specified on the rating plate.
2. Refer to the Battery Charger Operator Manual for information about how to use the battery charger.

4.1.2 CHARGE THE BATTERY

Refer to the Battery Charger Operator Manual for information about how to use the battery charger.

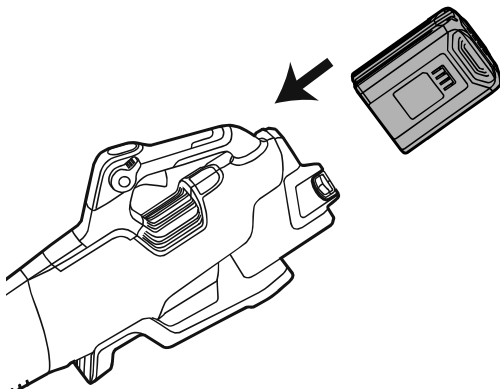
4.1.3 BATTERY INFORMATION

Refer to the Battery Operator Manual for information about how to use the battery.

4.1.4 CONNECT THE BATTERY TO THE PRODUCT**⚠ WARNING**

ONLY USE GREENWORKS ORIGINAL BATTERIES WITH THE PRODUCT.

1. Make sure that the battery is fully charged.
2. Push the battery into the battery compartment. The battery locks into position when you hear a click.

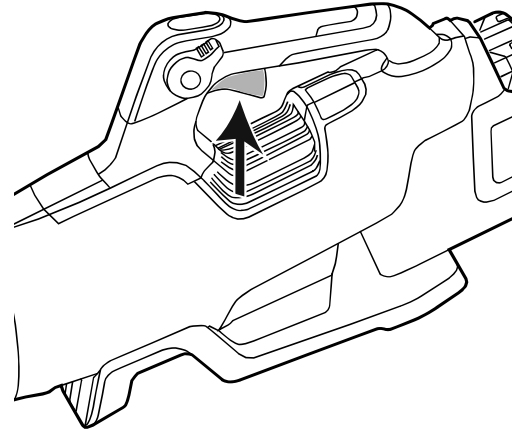
**⚠ CAUTION**

IF THE BATTERY DOES NOT MOVE EASILY INTO THE BATTERY COMPARTMENT, THE BATTERY IS NOT INSTALLED CORRECTLY. THIS CAN CAUSE DAMAGE TO THE PRODUCT.

3. Make sure that the battery is installed correctly.

4.2 START THE PRODUCT

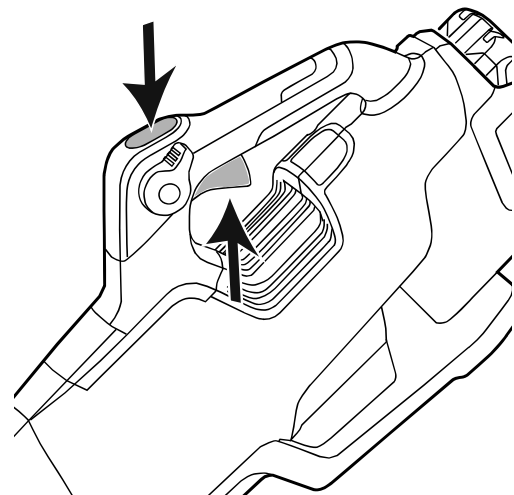
1. Pull the trigger to start the product.



2. The variable speed trigger delivers higher air speed with increased trigger pressure and lower air speed with decreased trigger pressure.

4.3 ACTIVATE TURBO BOOST (TEMPORARY INCREASED AIRFLOW)

1. Pull the trigger to start the product.
2. Push the turbo boost button to engage the maximum airflow.



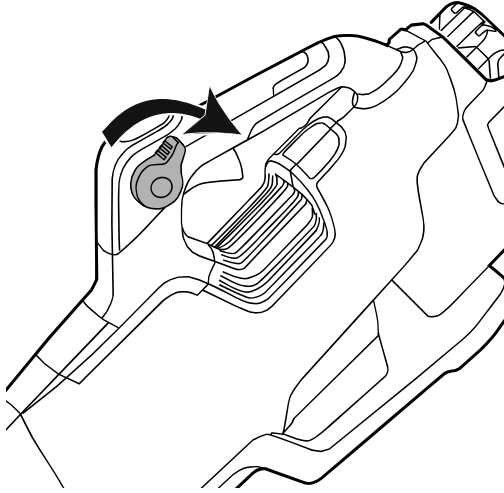
3. Release the turbo boost button to operate the product with the default airflow setting.

Note: Using the turbo boost button will result in faster battery consumption. Exercise caution and only activate the turbo boost when necessary.

4.4 ACTIVATE CRUISE CONTROL (SUSTAINED AIRFLOW)

1. Pull the trigger to start the product and select the optimal airflow for your work.

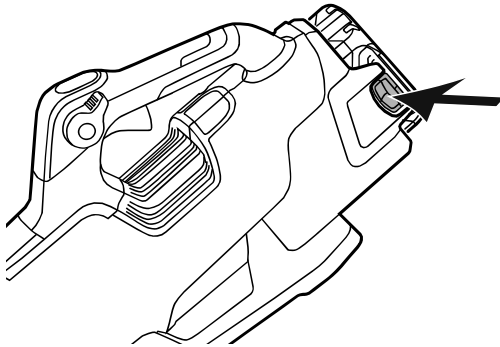
2. Rotate the cruise control lever clockwise to sustain the selected airflow.



Note: Rotate the cruise control lever clockwise to increase the speed. Pull the cruise control lever counterclockwise to decrease or disengage completely.

4.5 STOP THE PRODUCT

1. Release the trigger.
2. Push and hold the battery release button.
3. Remove the battery from the product to fully stop its operation.



5 MAINTENANCE

IMPORTANT

Carefully read and understand the safety regulations and the maintenance instructions before you clean, repair, or do any maintenance on the product (Reference Safety regulations and maintenance instructions).

WARNING

- **REMOVE BATTERY OR BATTERIES FROM THE PRODUCT BEFORE YOU DO ANY MAINTENANCE.**
- **FAILURE TO FOLLOW PROPER MAINTENANCE SERVICE, USING THIRD-PARTY REPLACEMENT PARTS, OR MODIFYING/REMOVING COMPONENTS CAN RESULT IN INJURY TO THE USER.**

5.1 MAINTENANCE SCHEDULE

The following is a list of the maintenance steps that must be performed on the product.

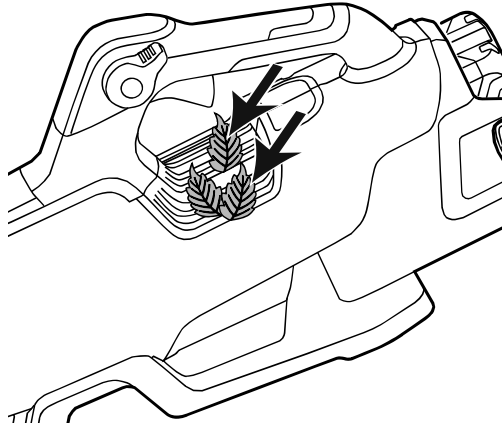
Maintenance	Daily	Weekly	Monthly
Clean the outside of the product with a clean and dry cloth. Never use water.	X		
Keep handles dry, clean, and free from oil and grease.	X		
Make sure the trigger is functioning properly.	X		
Check that nuts and screws are tight.	X		
Check that the battery is intact.	X		
Check the battery's charge.	X		
Check that the release button works and locks the battery into place.	X		
Check that the battery charger is intact and functioning properly.	X		
Inspect all couplings, connections, and cables for any damage or dirt.		X	
Check the connections between the battery and the product, as well as the connection between the battery and the battery charger.			X

5.2 CHECK THE AIR INTAKE VENT

CAUTION

A BLOCKED AIR INTAKE VENT AND/OR BLOCKED IMPELLER DECREASES THE BLOWING CAPACITY OF THE PRODUCT AND INCREASES THE WORKING TEMPERATURE OF THE MOTOR. IF THE MOTOR BECOMES TOO HOT, IT CAN RESULT IN MOTOR FAILURE.

1. Ensure that the air intake vent is not blocked.



2. If necessary, stop the product and remove any leaves or debris from the air intake vent.

5.3 EXAMINE THE BATTERY AND THE BATTERY CHARGER

Carefully inspect the battery, battery charger, and connection cord of the battery charger for any signs of damage, such as cracks or broken parts. Replace if necessary.

5.4 CLEAN THE PRODUCT

CAUTION

- KEEP WATER AWAY FROM BATTERY COMPARTMENT WHILE WASHING TO AVOID DAMAGING THE ELECTRICAL COMPONENTS.
- DO NOT CLEAN WITH ALCOHOL, GASOLINE, ACETONE, OR OTHER CORROSIVE/VOLATILE SOLVENTS. THESE SUBSTANCES MAY DAMAGE THE EXTERNAL AND INTERNAL STRUCTURE OF YOUR PRODUCT.
- DO NOT RUB WITH SANDPAPER OR METAL BRUSH.

Clean the product after each use with water, neutral detergent, and a soft cloth.

5.5 CLEAN THE BATTERY AND BATTERY CHARGER

WARNING

DO NOT CLEAN THE BATTERY OR THE BATTERY CHARGER WITH WATER.

- Make sure that the battery and the battery charger and battery compartment are all clean and dry before you insert the battery into the battery charger.
- Clean the battery terminals with a soft and dry cloth.
- Clean the surface of the battery and the battery charger with a soft and dry cloth.

6 TRANSPORTATION, STORAGE AND DISPOSAL

6.1 TRANSPORTATION

- Any removable (electronic) parts, such as the charger and battery, should always be disconnected before transport.
- Avoid transporting the product in bad weather conditions when possible.
- Make sure to adequately cover any exposed electronic parts if transportation in adverse weather conditions is unavoidable.
- Use tape on open contacts of the battery and ensure it is securely stowed to prevent movement.
- High speeds, along with wind, and rain may force moisture into the electronic components, which can lead to temporary malfunctions or permanent defects.
- In case of malfunction occurring after transport in such conditions, remove the battery and allow all parts to air-dry when you reach your destination.

6.2 STORAGE

If the product is left unused for an extended period, proper storage maintenance is required.

- Store the product locked up to prevent unauthorized use or damage.
- Store the product in a dry, well-ventilated area.
- Store the product out of the reach of children.

6.3 DISPOSAL OF THE BATTERY, BATTERY CHARGER, AND PRODUCT

Symbols on the product or the package of the product mean that the product is not domestic waste. Recycle it at a recycling station for electrical and electronic equipment. This helps to prevent damage to the environment and persons.

Get in touch with your local authorities, domestic waste service, or your dealer for more information about how to recycle your product.

7 TROUBLESHOOTING

PROBLEM	POSSIBLE CAUSE	POSSIBLE SOLUTION
The product does not start.	The battery is not installed tightly.	Make sure that you securely inset the battery in the product.
	The battery is out of power.	Charge the battery.
	The switch is defective.	Replace the defective parts through an authorized service center.
	The motor is defective.	
The PCB board is defective.		
The air does not flow through the tube when you start the product.	The air inlet or tube outlet has a blockage.	Carefully remove the blockage.

8 TECHNICAL DATA

Voltage	60V
Air volume	630 CFM (0.3 m ³ /s)
Air speed	170 MPH (75.99 m/s)
Battery model	LB60251 / LB6041 / LB6042 / LB6051 / LB6081 and other BAC series
Charger model	CAC801 / CH60R00 / CH60DP01 / CHDPC10A and other CAC series

The recommended ambient temperature ranges:

Situation	Temperature
Product storage	32 °F (0 °C) ~ 113 °F (45 °C)
Product operation	32 °F (0 °C) ~ 113 °F (45 °C)
Battery charging	39 °F (4 °C) ~ 104 °F (40 °C)
Charger operation	39 °F (4 °C) ~ 104 °F (40 °C)
Battery storage	32 °F (0 °C) ~ 113 °F (45 °C)
Battery discharging	32 °F (0 °C) ~ 113 °F (45 °C)

9 LIMITED WARRANTY

Greenworks hereby warrants this product, to the original purchaser with proof of purchase, for a period of four (4) years against defects in materials, parts or workmanship. Greenworks, at its own discretion will repair or replace any and all parts found to be defective, through normal use, free of charge to the customer. This warranty is valid only for units which have been used for personal use that have not been hired or rented for industrial/commercial use, and that have been maintained in accordance with the instructions in the operator manual supplied with the product from new.

ITEMS NOT COVERED BY WARRANTY:

1. Any part that has become inoperative due to misuse, commercial use, abuse, neglect, accident, improper maintenance, or alteration; or
2. The unit, if it has not been operated and/or maintained in accordance with the operator manual; or
3. Normal wear;
4. Routine maintenance items such as lubricants, blade sharpening;
5. Normal deterioration of the exterior finish due to use or exposure.

HELPLINE:

Warranty service is available by calling our toll-free helpline, at 1-855-345-3934.

TRANSPORTATION CHARGES:

Transportation charges for the movement of any power equipment unit or attachment are the responsibility of the purchaser. It is the purchaser's responsibility to pay transportation charges for any part submitted for

replacement under this warranty unless such return is requested in writing by Greenworks.

USA address:

Greenworks Tools

P.O. Box 1238, Mooresville, NC 28115

Canadian address:

Greenworks Tools Canada, Inc.

P.O. Box 93095, Newmarket, Ontario, L3Y 8K3

Mexico address:

TECNOLOGIA CAMPO Y JARDIN S.A. DE C.V.

ADMINISTRADORES No. 5336 A, COL. ARCOS DE GUADALUPE, ZAPOPAN , JALISCO , C.P. 45037

1	Introduction.....	14	4.5	Arrêt du produit.....	18
1.1	Description du produit.....	14	5	Entretien.....	19
1.2	Utilisation conforme.....	14	5.1	Programme de maintenance.....	19
1.3	Aperçu du produit.....	14	5.2	Vérification de l'évent d'admission d'air.....	19
1.4	Symboles figurant sur la machine.....	14	5.3	Examinez la batterie et le chargeur de batterie.....	20
1.5	California Proposition 65.....	14	5.4	Nettoyage du produit.....	20
2	Sécurité.....	14	5.5	Nettoyage de la batterie et du chargeur de batterie.....	20
2.1	Définitions de sécurité.....	14	6	Transport, entreposage et mise au rebut.....	21
2.2	Instructions importantes sur la sécurité.....	15	6.1	Transport.....	21
2.3	Outils fonctionnant sur batterie.....	16	6.2	Entreposage.....	21
2.4	Sécurité des enfants.....	16	6.3	Mise au rebut de la batterie, du chargeur de batterie et du produit.....	21
2.5	Conservez ces instructions.....	16	7	Dépannage.....	21
3	Assemblage.....	16	8	Données techniques	21
3.1	Installation du tube de souffleuse.....	17	9	Garantie limitée.....	22
4	Utilisation.....	17			
4.1	Avant d'utiliser le produit.....	17			
4.2	Démarrage du produit.....	18			
4.3	Activer le turbo (débit d'air accru temporairement).....	18			
4.4	Activation du régulateur de vitesse (débit d'air soutenu).....	18			

FR

1 INTRODUCTION

1.1 DESCRIPTION DU PRODUIT

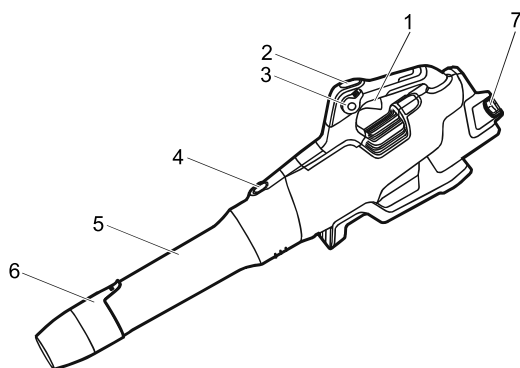
Ce produit est une souffleuse sur batterie dotée d'un moteur électrique.

Nous nous engageons à améliorer en continu nos produits et nous réservons donc le droit de modifier le design et l'apparence sans préavis.

1.2 UTILISATION CONFORME

Le produit est conçu pour débarrasser les feuilles, débris et autres matériaux des diverses surfaces comme les pelouses, allées, chemins et espaces extérieurs.

1.3 APERÇU DU PRODUIT



- | | |
|-----------------------------------|------------------------------------|
| 1 Gâchette | 5 Tube de souffleuse |
| 2 Bouton Turbo | 6 Buse conique |
| 3 Levier de régulateur de vitesse | 7 Bouton de libération de batterie |
| 4 Bouton de libération de tube | |

1.4 SYMBOLES FIGURANT SUR LA MACHINE

Symbole	Explication
V	Voltage
A	Courant
W	Puissance
min	Heure
/min	Tours, coups, vitesse périphérique, orbites, etc., par minute
—	Courant direct
	Vous devez avoir lu attentivement et compris les instructions avant d'utiliser le produit et suivre tous les avertissements et instructions de sécurité.

Symbole	Explication
	Précautions de sécurité importantes.
	Portez une protection auditive pour utiliser ce produit.
	Portez systématiquement une protection oculaire avec des écrans latéraux bénéficiant d'un marquage conforme à la norme ANSI Z87.1 lorsque vous utilisez ce produit.
	Ne pas exposer la machine à la pluie ou à l'humidité.
	Maintenez tous les passants à une distance d'au moins 15m (50 ft) de la zone de travail.
	Ne touchez pas le ventilateur ou les pales de turbine lorsque vous utilisez ce produit.
	Maintenez les vêtements amples, les bijoux et les accessoires à l'écart de l'évent d'admission d'air.
	Maintenez les cheveux longs à l'écart de l'évent d'admission d'air.
	Ne touchez pas. Les lames rotatives peuvent causer des blessures graves.

1.5 CALIFORNIA PROPOSITION 65

AVERTISSEMENT

CE PRODUIT CONTIENT OU ÉMET UN PRODUIT CHIMIQUE CONNU DANS L'ÉTAT DE CALIFORNIE COMME ÉTANT UNE CAUSE DE CANCER, DE MALFORMATIONS CONGÉNITALES OU D'AUTRES PROBLÈMES DE REPRODUCTION.

2 SÉCURITÉ

2.1 DÉFINITIONS DE SÉCURITÉ

Les avertissements, précautions et notes mettent l'accent sur des parties spécialement importantes du manuel.

AVERTISSEMENT

L'OPÉRATEUR OU LES BADAUDS SONT EXPOSÉS À UN RISQUE DE BLESSURES, PARFOIS MORTELLES, SI LES INSTRUCTIONS DU MANUEL NE SONT PAS RESPECTÉES.

ATTENTION

LE PRODUIT, LE RESTE DU MATÉRIEL OU LA ZONE ADJACENTE EST EXPOSÉ À UN RISQUE DE DOMMAGES SI LES INSTRUCTIONS DU MANUEL NE SONT PAS RESPECTÉES.

Note : Pour un complément d'information nécessaire dans une situation donnée.

2.2 INSTRUCTIONS IMPORTANTES SUR LA SÉCURITÉ

Pour un usage ménager.

LISEZ TOUTES LES INSTRUCTIONS AVANT L'UTILISATION (CET OUTIL ÉLECTRIQUE)

AVERTISSEMENT

LISEZ ET COMPRENEZ TOUTES LES INSTRUCTIONS AVANT D'UTILISER CE PRODUIT. LE NON-RESPECT DES AVERTISSEMENTS ET INSTRUCTIONS LISTÉS À LA SUITE PEUT ENTRAÎNER UN CHOC ÉLECTRIQUE, UN INCENDIE OU DES BLESSURES GRAVES. QUAND VOUS UTILISEZ UN APPAREIL ÉLECTRIQUE, RESPECTEZ SYSTÉMATIQUEMENT LES PRÉCAUTIONS ÉLÉMENTAIRES, NOTAMMENT :

- Maintenez les cheveux, les vêtements amples, les doigts et toutes les parties du corps à l'écart des ouvertures et des pièces mobiles.
- Soyez particulièrement prudent lorsque vous nettoyez les escaliers.
- N'utilisez pas les outils électriques dans un environnement explosif, par exemple en présence de liquides, gaz ou poussières inflammables. La mise en marche de l'outil crée des étincelles qui peuvent enflammer la poussière ou les vapeurs.
- Ne laissez jamais les enfants utiliser l'appareil. Ne permettez jamais à un adulte d'opérer la machine sans qu'il ait la formation nécessaire.
- Portez des pantalons longs, des souliers de travail et des gants épais. Évitez de porter des vêtements amples ou des bijoux qui pourraient se coincer dans les pièces mobiles de la machine ou de son moteur.
- Ne forcez pas sur l'outil. Utilisez l'outil adapté à votre application. L'outil approprié fera mieux le travail et sera plus sécuritaire au rythme pour lequel il a été conçu.
- Tenez-vous bien campé et en équilibre. Ne vous penchez pas trop en avant. Si vous vous penchez trop en avant, vous pouvez perdre l'équilibre.
- N'utilisez pas l'outil si l'interrupteur ne le met pas en marche ou à l'arrêt. Tout outil qui ne peut pas être contrôlé avec l'interrupteur est dangereux et doit être réparé.
- N'utilisez pas cet appareil si vous êtes fatigué, malade ou sous l'influence de l'alcool, de drogues ou de médicaments.
- N'utilisez pas la machine lorsque l'éclairage est insuffisant.
- N'utilisez pas cette machine pour ramasser des liquides inflammables ou combustibles, comme de l'essence, ni dans les endroits où ils peuvent être présents.
- Ne ramassez rien qui brûle ou qui fume, comme des cigarettes, des allumettes ou des cendres chaudes.
- N'utilisez pas l'appareil sans le sac à poussière ou les filtres installés (le cas échéant).
- Inspectez la zone de travail avant chaque utilisation. Enlevez tous les objets tels que les pierres, le verre brisé, les clous, les fils ou les ficelles qui peuvent être jetés ou s'emmêler dans la machine.
- Utilisez uniquement des pièces de rechange et des accessoires identiques du fabricant. L'utilisation d'autres pièces peut créer un danger ou endommager le produit.
- Pour réduire le risque de choc électrique - Ne pas exposer à la pluie - Entreposer à l'intérieur.
- Utilisez seulement avec LB60251 / LB6041 / LB6042 / LB6051 / LB6081 et autres blocs-batteries BAC.
- Utilisez seulement avec CAC801 / CH60R00 / CH60DP01 / CHDPC10A et autres chargeurs CAC.
- N'utilisez pas sur des surfaces humides.
- Ne chargez pas l'appareil à l'extérieur.
- N'utilisez jamais comme jouet. Une attention particulière est nécessaire lorsque la machine est utilisée par des enfants ou à proximité de ces derniers.
- Utilisez uniquement comme de la façon décrite dans ce manuel. Utilisez uniquement les accessoires recommandés par le fabricant.
- Si l'appareil ne fonctionne pas comme il le devrait, s'il est tombé, s'il a été endommagé, laissé à l'extérieur ou s'il est tombé dans l'eau, retournez-le à un centre de service.
- N'utilisez pas l'appareil avec les mains mouillées.
- N'introduisez aucun objet dans les ouvertures. Veillez à ce qu'aucun objet ne se trouve dans l'orifice lors de l'utilisation de l'appareil; maintenir l'orifice dégagé de toutes poussières, fibre, cheveux, ou de tout ce qui pourrait réduire la circulation de l'air.

FR

2.3 OUTILS FONCTIONNANT SUR BATTERIE

- N'utilisez pas cet appareil fonctionnant sur batterie sous la pluie.
- Désactivez toutes les commandes avant de retirer la batterie.
- Rechargez uniquement avec le chargeur spécifié par le fabricant. Un chargeur adapté à un type de bloc-batterie peut créer un risque d'incendie lorsqu'il est utilisé avec un autre bloc-batterie.
- Utilisez uniquement le chargeur fourni par le fabricant pour recharger.
- Utilisez les appareils uniquement avec des bloc-batteries spécialement conçus à cet effet. L'utilisation de tous autres bloc-batteries peut créer un risque de blessure et d'incendie.
- Évitez tout démarrage accidentel. Assurez-vous que l'interrupteur est en position d'arrêt avant de connecter la batterie et de soulever ou de transporter l'appareil. Le transport de l'outil électrique avec un doigt sur l'interrupteur peut créer un risque de blessure.
- Retirez le bloc-batterie de l'outil électrique avant d'effectuer des réglages, de changer des accessoires ou de ranger l'outil électrique. De telles mesures de sécurité préventives réduisent le risque d'un démarrage accidentel de l'outil électrique.
- Lorsque la batterie n'est pas utilisée, éloignez-la des autres objets métalliques tels qu'attaches trombones, pièces de monnaie, clés, clous, vis ou autres petits objets métalliques qui peuvent établir une connexion d'une borne à une autre. Le court-circuitage des bornes de la batterie peut provoquer des brûlures ou un incendie.
- Dans des conditions abusives, du liquide peut être éjecté de la batterie ; évitez tout contact. En cas de contact accidentel, rincez avec de l'eau. En cas de contact avec les yeux, consultez également un médecin. Le liquide s'échappant des batteries peut causer des irritations ou des brûlures.
- N'incinerez pas l'appareil même s'il est extrêmement endommagé. Les batteries peuvent exploser dans le feu.
- N'utilisez pas une batterie ou un appareil endommagé ou modifié. Les batteries endommagées ou modifiées peuvent présenter un fonctionnement imprévisible et provoquer un incendie, une explosion ou un risque de blessure.
- N'exposez pas une batterie ou un appareil à un feu ou à une température excessive. L'exposition au feu ou une température supérieure à 130 °C (265 °F) peut provoquer une explosion.
- L'unité ne doit être entretenue que par un technicien de réparation qualifié utilisant uniquement des Greenworkspèces de rechange. Cela prolongera la durée de vie de l'unité et maintiendra la sécurité du produit.

- Ne modifiez pas ou n'essayez pas de réparer l'appareil ou la batterie (selon le cas) sauf en conformité avec les instructions d'utilisation et d'entretien indiquées dans ce manuel.
- Suivez toutes les instructions de recharge et ne rechargez pas le bloc-batterie ou l'appareil en dehors de la plage de température spécifiée dans ces instructions. Un rechargement incorrect ou à des températures en dehors de la plage spécifiée peut endommager la batterie et augmenter le risque d'incendie.

2.4 SÉCURITÉ DES ENFANTS

Des accidents tragiques peuvent se produire si l'opérateur n'est pas au courant de la présence des enfants.

- Éloignez les enfants de la zone de travail et placez-les sous la surveillance d'un adulte responsable.
- Ne laissez pas un enfant de moins de 14 ans utiliser cette machine. Les enfants de 14 ans et plus doivent lire et comprendre les instructions d'utilisation et les règles de sécurité contenues dans ce manuel et doivent être formés et supervisés par un parent.
- Restez vigilant et éteignez la machine si un enfant ou quiconque d'autre entre dans la zone de travail.
- Soyez extrêmement prudent lorsque vous vous approchez d'un angle mort, d'une porte, d'un arbuste, d'un arbre ou de tout autre objet qui pourrait masquer la vue d'un enfant qui pourrait se heurter à la machine.

2.5 CONSERVEZ CES INSTRUCTIONS

3 ASSEMBLAGE

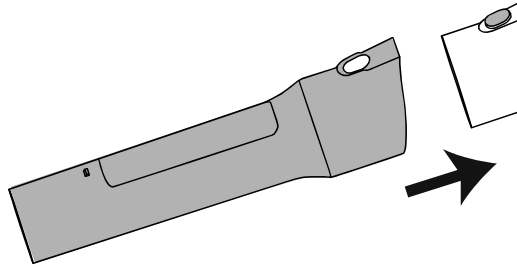
Cette section décrit la méthode d'assemblage et de réglage du produit.

 **AVERTISSEMENT**

VOUS DEVEZ AVOIR LU ATTENTIVEMENT ET COMPRIS LE CHAPITRE SÉCURITÉ ET LES INSTRUCTIONS D'ASSEMBLAGE AVANT D'ASSEMBLER LE PRODUIT.

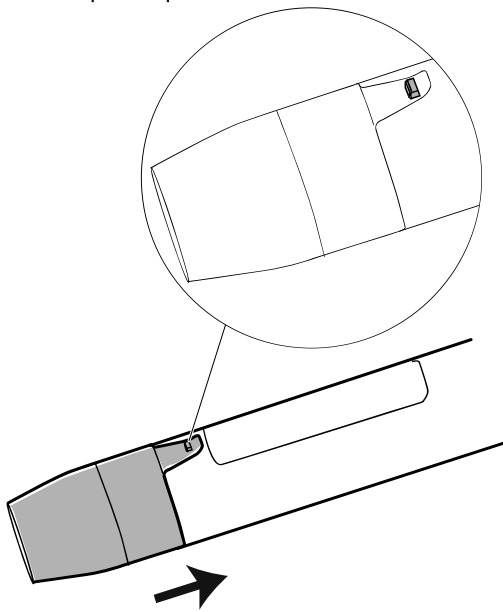
3.1 INSTALLATION DU TUBE DE SOUFFLEUSE

1. Fixez le tube de souffeuse sur l'extrémité tubulaire du produit jusqu'à ce que le bouton de libération de tube clique en place dans l'orifice.



Note : Assurez-vous que le tube de la souffeuse est fermement fixé sur l'extrémité tubulaire avant le démarrage du produit.

2. Pour un débit d'air supérieur, fixez la buse conique sur le tube de souffeuse jusqu'à ce qu'elle clique en place.



Note : Assurez-vous que la buse conique et le tube de souffeuse sont fermement fixés avant le démarrage du produit.

4 UTILISATION

Cette section décrit le mode d'emploi du produit.

⚠ AVERTISSEMENT

VOUS DEVEZ AVOIR LU ATTENTIVEMENT ET COMPRIS LE CHAPITRE SÉCURITÉ ET LES INSTRUCTIONS D'UTILISATION AVANT D'UTILISER LE PRODUIT.

4.1 AVANT D'UTILISER LE PRODUIT

4.1.1 CONNECTER LE CHARGEUR DE BATTERIE

1. Connectez le chargeur de batterie à une source de tension et de fréquence appropriées, spécifiées sur la plaque signalétique.
2. Reportez-vous au manuel d'utilisation du chargeur de batterie pour obtenir des informations sur l'utilisation du chargeur de batterie.

4.1.2 RECHARGEZ LA BATTERIE

Référez-vous au Manuel opérateur du chargeur de batterie pour le mode d'emploi du chargeur de batterie.

4.1.3 RENSEIGNEMENTS SUR LA BATTERIE

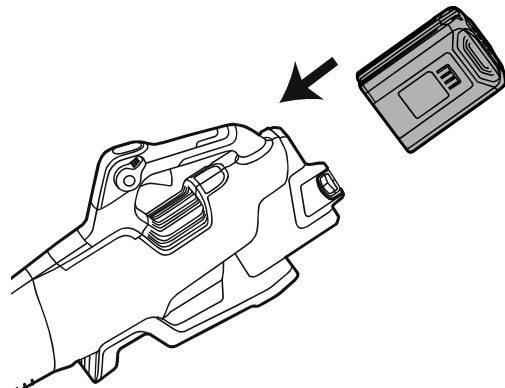
Référez-vous au Manuel opérateur de la batterie pour le mode d'emploi de la batterie.

4.1.4 CONNEXION DE LA BATTERIE AU PRODUIT

⚠ AVERTISSEMENT

UTILISEZ UNIQUEMENT DES BATTERIES GREENWORKS D'ORIGINE AVEC LE PRODUIT.

1. Assurez-vous que la batterie est complètement chargée.
2. Poussez la batterie dans son compartiment. La batterie se verrouille en position lorsque vous entendez un clic.



⚠ ATTENTION

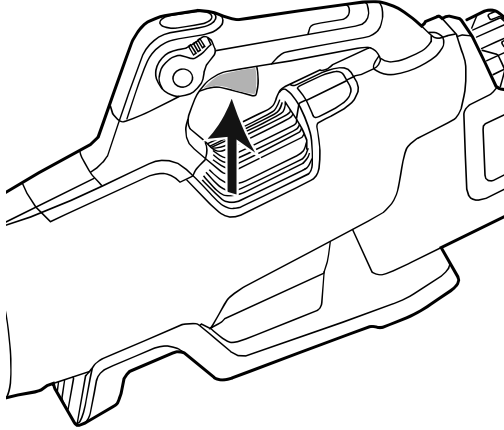
SI LA BATTERIE A DU MAL À S'INSÉRER DANS SON COMPARTIMENT, ELLE EST MAL INSTALLÉE. VOUS RISQUEZ AINSI D'ENDOMMAGER LE PRODUIT.

3. Assurez-vous que la batterie est correctement installée.

FR

4.2 DÉMARRAGE DU PRODUIT

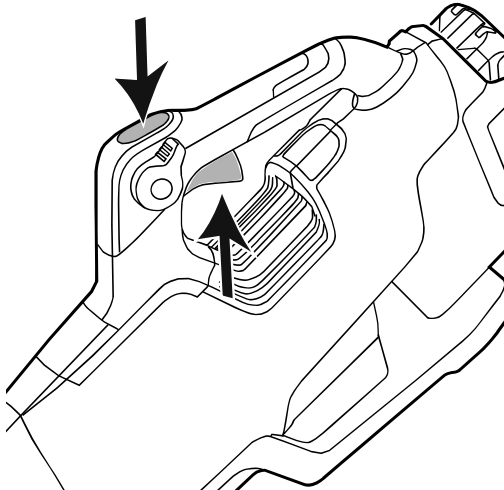
1. Appuyez sur la gâchette pour démarrer le produit.



2. La gâchette de vitesse variable augmente la vitesse de l'air en augmentant la pression de la gâchette et la réduit en diminuant la pression de la gâchette.

4.3 ACTIVER LE TURBO (DÉBIT D'AIR ACCRU TEMPORAIREMENT)

1. Appuyez sur la gâchette pour démarrer le produit.
2. Appuyez sur le bouton turbo pour engager le débit d'air maximum.



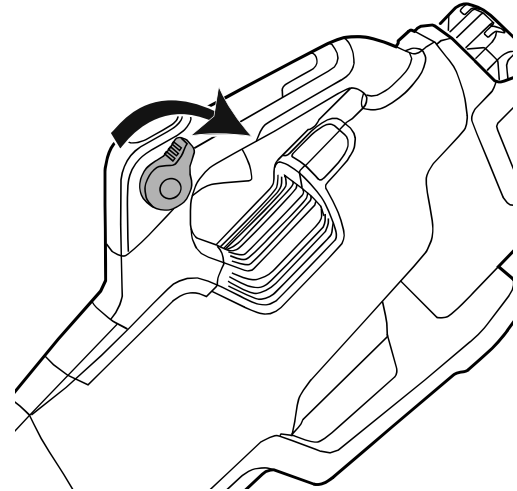
3. Relâchez le bouton turbo pour utiliser le produit avec le réglage de débit d'air par défaut.

Note : L'utilisation du bouton turbo accélère la consommation de la batterie. Soyez prudent et activez le turbo uniquement si nécessaire.

4.4 ACTIVATION DU RÉGULATEUR DE VITESSE (DÉBIT D'AIR SOUTENU)

1. Tirez sur la gâchette pour démarrer le produit et sélectionnez le débit d'air optimal pour votre travail.

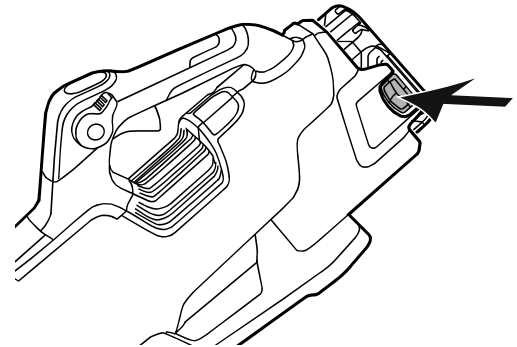
2. Faites tourner le levier de régulateur de vitesse dans le sens horaire pour maintenir le flux d'air sélectionné.



Note : Faites tourner le levier de régulateur de vitesse dans le sens horaire pour réduire la vitesse. Tirez le levier de régulateur de vitesse dans le sens antihoraire pour réduire ou dégager complètement.

4.5 ARRÊT DU PRODUIT

1. Relâchez la gâchette.
2. Poussez et maintenez enfoncé le bouton de déblocage de la batterie.
3. Retirez la batterie du produit pour l'arrêter complètement.



5 ENTRETIEN

IMPORTANT

Vous devez avoir lu attentivement et compris les règles de sécurité et les instructions de maintenance avant de nettoyer, de réparer ou d'effectuer des travaux de maintenance sur le produit (Référence Règles de sécurité et instructions de maintenance).

AVERTISSEMENT

- **RETIREZ LA OU LES BATTERIES DU PRODUIT AVANT D'EFFECTUER UNE QUELCONQUE MAINTENANCE.**
- **LE NON-RESPECT DES PROCÉDURES DE MAINTENANCE CORRECTES, L'USAGE DE PIÈCES DE RECHANGE DE TIERS OU LA MODIFICATION /DÉPOSE DE COMPOSANTS RISQUE DE BLESSER L'UTILISATEUR.**

5.1 PROGRAMME DE MAINTENANCE

La liste suivante indique les étapes de maintenance à effectuer sur le produit.

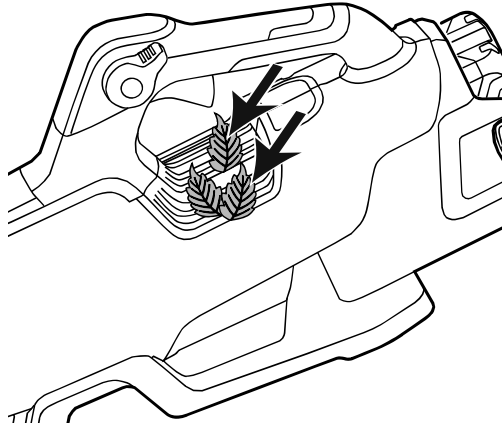
Entretien	Quotidien	Hebdomadaire	Mensuel
Séchez l'extérieur du produit avec un chiffon propre et sec. N'utilisez jamais d'eau.	X		
Veillez à ce que les poignées restent propres, sèches et exemptes d'huile et de graisse.	X		
Assurez-vous du fonctionnement correct de la gâchette.	X		
Contrôlez le serrage de tous les écrous et vis.	X		
Vérifiez que la batterie est intacte.	X		
Vérifiez la charge de la batterie.	X		
Vérifiez que le bouton de libération fonctionne et verrouille la batterie en place.	X		
Vérifiez que le chargeur de batterie est intact et fonctionne correctement.	X		
Recherchez les dégâts et la saleté sur tous les accouplements, connexions et câbles.		X	
Vérifiez les connexions entre la batterie et le produit ainsi que celle entre la batterie et le chargeur de batterie.			X

5.2 VÉRIFICATION DE L'ÉVENT D'ADMISSION D'AIR

ATTENTION

UNE TURBINE OU UN ÉVENT D'ADMISSION D'AIR BLOQUÉ RÉDUIT LA CAPACITÉ DE SOUFFLAGE DU PRODUIT ET AUGMENTE LA TEMPÉRATURE DE FONCTIONNEMENT DU MOTEUR. S'IL DEVIENT TROP CHAUD, LE MOTEUR RISQUE UNE DÉFAILLANCE.

1. Assurez-vous que l'évent d'admission d'air n'est pas bloqué.



2. Si nécessaire, arrêtez le produit et retirez les feuilles ou débris de l'évent d'admission d'air.

5.3 EXAMINEZ LA BATTERIE ET LE CHARGEUR DE BATTERIE

Inspectez soigneusement la batterie, le chargeur de batterie et le cordon de connexion du chargeur de batterie pour détecter tout signe de dommage, des pièces fissurées ou cassées par exemple. Remplacez si nécessaire.

5.4 NETTOYAGE DU PRODUIT

⚠ ATTENTION

- **MAINTENEZ L'EAU À L'ÉCART DU COMPARTIMENT DE BATTERIE PENDANT LE NETTOYAGE POUR ÉVITER D'ENDOMMAGER LES COMPOSANTS ÉLECTRIQUES.**
- **NE NETTOYEZ PAS AVEC DE L'ALCOOL, DE L'ESSENCE, DE L'ACÉTONE OU D'AUTRES SOLVANTS CORROSIFS /VOLATILS. CES SUBSTANCES PEUVENT ENDOMMAGER LA STRUCTURE EXTERNE ET INTERNE DE VOTRE PRODUIT.**
- **NE FROTTEZ PAS AVEC DU PAPIER DE VERRE OU UNE BROSSÉ MÉTALLIQUE.**

Nettoyez le produit après chaque utilisation avec de l'eau, un détergent neutre et un chiffon doux.

5.5 NETTOYAGE DE LA BATTERIE ET DU CHARGEUR DE BATTERIE

⚠ AVERTISSEMENT

NE NETTOYEZ PAS LA BATTERIE OU LE CHARGEUR DE BATTERIE AVEC DE L'EAU.

- Assurez-vous que la batterie, le chargeur de batterie et le compartiment de batterie sont propres et secs avant d'insérer la batterie dans le chargeur de batterie.
- Nettoyez les cosses de batterie avec un chiffon sec et doux.
- Nettoyez la surface de la batterie et du chargeur de batterie avec un chiffon sec et doux.

6 TRANSPORT, ENTREPOSAGE ET MISE AU REBUT

6.1 TRANSPORT

- Toutes les pièces (électroniques) amovibles, comme le chargeur et la batterie, devraient être systématiquement déconnectées avant le transport.
- Évitez de transporter le produit par mauvais temps, si possible.
- Assurez-vous de couvrir adéquatement toutes les pièces électroniques exposées si le transport par mauvais temps est inévitable.
- Utilisez du ruban sur les contacts ouverts de la batterie et assurez-vous qu'elle est rangée en toute sécurité pour éviter tout mouvement.
- Les vitesses élevées combinées à la pluie et au vent pourraient forcer l'humidité dans les composants électroniques, entraînant des dysfonctionnements temporaires ou des défaillances permanentes.
- En cas de dysfonctionnement après le transport sous ces conditions, retirez la batterie et laissez les pièces sécher à l'air libre une fois arrivé à destination.

6.2 ENTREPOSAGE

Si le produit n'est pas utilisé pendant une période prolongée, une maintenance de stockage appropriée est nécessaire.

- Rangez le produit verrouillé pour éviter tout usage sans autorisation et tout dommage.
- Rangez le produit dans un endroit sec et bien ventilé.
- Rangez le produit hors de portée des enfants.

6.3 MISE AU REBUT DE LA BATTERIE, DU CHARGEUR DE BATTERIE ET DU PRODUIT

Les symboles sur le produit ou son emballage signifient que le produit n'est pas un déchet ménager. Recyclez-le auprès du point de recyclage destiné aux équipements électriques et électroniques. Vous contribuez ainsi à protéger l'environnement et les personnes.

Contactez vos autorités locales, le service de traitement des déchets ménagers ou votre revendeur pour en savoir plus sur la manière de recycler votre produit.

7 DÉPANNAGE

PROBLÈME	CAUSE POSSIBLE	SOLUTION POSSIBLE
Le produit ne démarre pas.	La batterie n'est pas fixée correctement.	Assurez-vous d'insérer la batterie en toute sécurité dans le produit.
	La batterie est déchargée.	Rechargez la batterie.
	L'interrupteur est défectueux.	Faites remplacer les pièces défectueuses par un centre d'entretien agréé.
	Le moteur est défectueux.	
	La carte de circuit imprimé est défectueuse.	

PROBLÈME	CAUSE POSSIBLE	SOLUTION POSSIBLE
L'air ne circule pas dans le tube lorsque vous démarrez le produit.	L'entrée d'air ou la sortie du tube est obstruée.	Éliminez prudemment le blocage.

8 DONNÉES TECHNIQUES

Voltage	60V
Volume d'air	630 CFM (0.3 m ³ /s)
Vitesse indiquée	170 MPH (75.99 m/s)
Modèle de batterie	LB60251 / LB6041 / LB6042 / LB6051 / LB6081 et autres BAC séries
Chargeur modèle	CAC801 / CH60R00 / CH60DP01 / CHDPC10A et autres CAC séries

La plage de température ambiante recommandée est de :

FR

Situation	Température
Entreposage de produit	32 °F (0 °C) ~ 113 °F (45 °C)
Fonctionnement de produit	32 °F (0 °C) ~ 113 °F (45 °C)
Charge de batterie	39 °F (4 °C) ~ 104 °F (40 °C)
Fonctionnement de chargeur	39 °F (4 °C) ~ 104 °F (40 °C)
Entreposage de batterie	32 °F (0 °C) ~ 113 °F (45 °C)
Décharge de batterie	32 °F (0 °C) ~ 113 °F (45 °C)

9 GARANTIE LIMITÉE



Greenworks garantit par la présente ce produit, à l'acheteur original avec preuve d'achat, pour une période de quatre (4) ans contre tout défaut de matériaux, de pièces ou de main-d'œuvre. Greenworks, à sa propre discrétion, réparera ou remplacera toutes les pièces défectueuses, dans des conditions normales d'utilisation, sans frais pour le client. Cette garantie est valable uniquement pour les unités utilisées à des fins personnelles, qui n'ont pas été louées à des fins industrielles ou commerciales et qui ont été entretenues conformément aux instructions du manuel de l'opérateur fourni avec le produit neuf.

ARTICLES NON COUVERTS PAR LA GARANTIE :

1. Toute pièce qui est devenue inopérante en raison d'une mauvaise utilisation, d'une utilisation commerciale, d'un abus, d'une négligence, d'un accident, d'un entretien inapproprié ou d'une modification; ou
2. L'unité si elle n'a pas été utilisée ou entretenue conformément au manuel de l'opérateur ; ou
3. Usure normale;
4. Articles d'entretien courant tels que lubrifiants, affûtage des lames;
5. Détérioration normale du fini extérieur due à l'utilisation ou à l'exposition.

ASSISTANCE TÉLÉPHONIQUE :

Le service de garantie est disponible en appelant notre ligne d'assistance téléphonique sans frais, au 1-855-345-3934.

FRAIS DE TRANSPORT :

Les frais de transport pour le déplacement de tout équipement motorisé ou accessoire sont à la charge de l'acheteur. Il incombe à l'acheteur de payer les frais de transport pour toute pièce retournée pour remplacement en vertu de la présente garantie, à moins qu'un tel retour soit demandé par écrit par Greenworks.

Adresse aux États-Unis :

Greenworks Tools

P.O. Box 1238, Mooresville, NC 28115

Adresse au Canada :

Greenworks Tools Canada Inc.

P.O. Box 93095, Newmarket, Ontario, L3Y 8K3

Adresse au Mexique :

TECNOLOGIA CAMPO Y JARDIN S.A. DE C.V.

ADMINISTRADORES No. 5336 A, COL. ARCOS DE GUADALUPE, ZAPOPAN, JALISCO, C.P. 45037

1 INTRODUCCIÓN

1.1 DESCRIPCIÓN DEL PRODUCTO

Este producto es un soplador con funcionamiento a batería que dispone de un motor eléctrico.

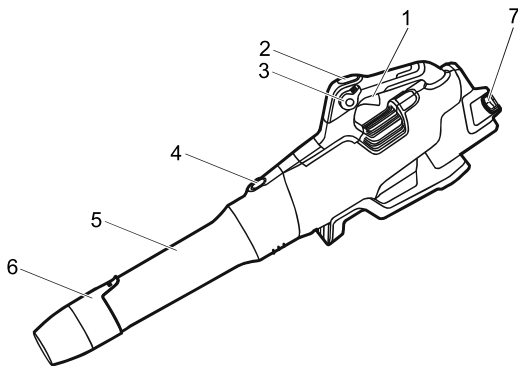
ES

Nos comprometemos a mejorar continuamente nuestros productos y nos reservamos el derecho a modificar el diseño y el aspecto sin previo aviso.

1.2 USO PREVISTO

El producto se ha diseñado para limpiar hojas, residuos y otros materiales de diversas superficies, como césped, calzadas, caminos y espacios exteriores.

1.3 PERSPECTIVA GENERAL DEL PRODUCTO



- | | |
|--------------------------------|-------------------------------------|
| 1 Gatillo | 5 Tubo soplador |
| 2 Botón de impulso turbo | 6 Boquilla cónica |
| 3 Palanca de control de cruceo | 7 Botón de desbloqueo de la batería |
| 4 Botón de desbloqueo del tubo | |

1.4 SÍMBOLOS EN EL PRODUCTO

Símbolo	Explicación
V	Tensión
A	Corriente
W	Potencia
min	Tiempo
/min	Revoluciones, carreras, velocidad de superficie, órbitas, etc., por minuto
≡	Corriente continua

Símbolo	Explicación
	Debe leer detenidamente y entender las instrucciones antes de manejar el producto, así como seguir todas las advertencias e instrucciones de seguridad.
	Instrucciones importantes de seguridad.
	Utilice protección auditiva al manejar este producto.
	Lleve siempre protección ocular con protectores laterales marcada para cumplir la ANSI Z87.1 cuando utilice este producto.
	No exponga el producto a la lluvia o a condiciones de humedad.
	Mantenga a los transeúntes al menos a 15 m (50 pies) de la zona de trabajo.
	No toque el ventilador ni las palas del rotor cuando utilice este producto.
	Mantenga la ropa suelta, las joyas y los accesorios alejados de la rejilla de entrada de aire.
	Mantenga el pelo largo alejado de la rejilla de entrada de aire.
	No tocar. Las palas giratorias pueden provocar lesiones graves.

1.5 PROPUESTA 65 DE CALIFORNIA

AVISO

ESTE PRODUCTO CONTIENE O EMITE UNA SUSTANCIA QUÍMICA CONOCIDA EN EL ESTADO DE CALIFORNIA COMO CAUSANTE DE CÁNCER O DEFECTOS DE NACIMIENTO U OTROS DAÑOS REPRODUCTIVOS.

2 SEGURIDAD

2.1 DEFINICIONES DE SEGURIDAD

Las advertencias, precauciones y notas se utilizan para señalar partes especialmente importantes del manual.

⚠ AVISO

EXISTE UN RIESGO DE LESIONES O MUERTE PARA EL OPERARIO O PARA OTRAS PERSONAS SI NO SE RESPETAN LAS INSTRUCCIONES DEL MANUAL.

⚠ PRECAUCIÓN

EXISTE UN RIESGO DE DAÑOS AL PRODUCTO, OTROS DAÑOS MATERIALES O EN LA ZONA ADYACENTE SI NO SE RESPETAN LAS INSTRUCCIONES DEL MANUAL.

ES

Nota: Se utiliza para ofrecer más información de la necesaria en una situación determinada.

2.2 INSTRUCCIONES IMPORTANTES DE SEGURIDAD

Para uso doméstico.

LEA TODAS LAS INSTRUCCIONES ANTES DEL USO (DE ESTA HERRAMIENTA ELÉCTRICA)

⚠ AVISO

DEBE LEER Y COMPRENDER TODAS LAS INSTRUCCIONES ANTES DE UTILIZAR ESTE PRODUCTO. EL INCUMPLIMIENTO DE LAS INSTRUCCIONES INDICADAS A CONTINUACIÓN PUEDE PROVOCAR DESCARGAS ELÉCTRICAS, INCENDIOS O LESIONES PERSONALES GRAVES. CUANDO UTILICE UN APARATO ELÉCTRICO, DEBEN SEGUIRSE SIEMPRE PRECAUCIONES BÁSICAS, INCLUIDAS LAS SIGUIENTES:

- No utilice sobre superficies húmedas.
- No cargue la unidad en exteriores.
- No deje que se utilice como un juguete. Es necesario prestar mucha atención cuando es utilizado por niños o cerca de estos.
- Utilice únicamente como se describe en este manual. Utilice únicamente los accesorios recomendados por el fabricante.
- Si el aparato no funciona como debería, se ha caído, ha sufrido daños, se ha dejado al aire libre o se ha caído al agua, llévelo a un centro de servicio.
- No maneje el aparato con las manos mojadas.
- No introduzca ningún objeto por las aberturas. No lo utilice con una abertura obstruida; manténgalo libre de polvo, pelusas, pelos y cualquier cosa que pueda reducir el flujo de aire.
- Mantenga el cabello, la ropa holgada, los dedos y todas las partes del cuerpo lejos de las aberturas y de las piezas en movimiento.
- Tenga especial cuidado al limpiar escaleras.

- No utilice herramientas eléctricas en una atmósfera explosiva, como en la presencia de líquidos, gases o polvo que puedan inflamarse. Las herramientas eléctricas generan chispas que pueden encender el polvo o los gases.
- Nunca permita que los niños utilicen el equipo. Nunca permita que utilicen el equipo adultos sin la debida instrucción.
- Lleve pantalones largos y gruesos, botas y guantes. Evite prendas sueltas o joyas que puedan engancharse en las piezas móviles de la máquina o su motor.
- No fuerce la herramienta. Utilice la herramienta correcta para su aplicación. La herramienta correcta hará el trabajo mejor y con mayor seguridad a la velocidad para la que se diseñó.
- Mantenga una posición firme y el equilibrio. No se estire. Estirarse en exceso puede hacer que pierda el equilibrio.
- No utilice la herramienta si el interruptor no la enciende o la apaga. Cualquier herramienta que no pueda controlarse con el interruptor es peligrosa y debe repararse.
- No utilice esta unidad cuando esté cansado, enfermo o bajo la influencia de alcohol, drogas o medicamentos.
- No utilice en condiciones de poca iluminación.
- No utilice el aparato para recoger líquidos inflamables o combustibles, como gasolina, ni lo utilice en zonas donde estos líquidos puedan estar presentes.
- No recoja nada que esté ardiendo o eche humo, como cigarrillos, cerillas o cenizas calientes.
- No utilice sin la bolsa para el polvo o los filtros en su posición (si corresponde).
- Compruebe la zona de trabajo antes de cada uso. Retire todos los objetos, como piedras, trozos de cristal, clavos, alambres o cuerdas que puedan salir despedidos o enredarse en la máquina.
- Utilice únicamente accesorios y piezas de repuesto del fabricante. El uso de cualquier otra pieza puede generar un riesgo o producir daños en el producto.
- Para reducir el riesgo de descarga eléctrica – No exponga a la lluvia – Almacene en interior.
- Utilice únicamente con LB60251 / LB6041 / LB6042 / LB6051 / LB6081 y otras baterías BAC.
- Utilice únicamente con CAC801 / CH60R00 / CH60DP01 / CHDPC10A y otros cargadores CAC.

2.3 HERRAMIENTAS ELÉCTRICAS A BATERÍA

- No utilice un aparato a batería bajo la lluvia.
- Apague todos los controles antes de retirar la batería.
- Recargue solo con el cargador especificado por el fabricante. Un cargador adecuado para un tipo de

batería crear a un riesgo de incendio cuando se utiliza con otro tipo de batería.

- Utilice únicamente el cargador suministrado por el fabricante para recargar.
- Utilice los aparatos únicamente con las baterías designadas específicamente. El uso de cualquier otra batería puede dar lugar a un riesgo de lesiones e incendio.
- Evite el arranque accidental. Asegúrese de que el interruptor esté en la posición de apagado antes de conectar a la batería y al coger o transportar el aparato. Llevar la herramienta eléctrica con el dedo en el interruptor puede dar lugar a un riesgo de lesiones.
- Desconecte la batería de la herramienta eléctrica antes de realizar ajustes, cambiar accesorios o almacenar la herramienta eléctrica. Estas medidas de seguridad preventivas reducen el riesgo de que la herramienta eléctrica se arranque accidentalmente.
- Cuando la batería no esté en uso, manténgala alejada de otros objetos metálicos como clips, monedas, llaves, clavos, tornillos u otros objetos metálicos pequeños que puedan hacer una conexión entre los terminales. El cortocircuito de los terminales de la batería puede provocar quemaduras o un incendio.
- Bajo condiciones abusivas, es posible que salga líquido de la batería; evite el contacto. En caso de un contacto accidental, lavar con abundante agua. Si el líquido entra en contacto con los ojos, busque también atención médica. El líquido de la batería puede provocar irritación o quemaduras.
- No incinere el aparato aunque esté gravemente dañado. Las baterías pueden explotar en un incendio.
- No utilice una batería o un aparato que haya sufrido daños o modificaciones. Las baterías dañadas o modificadas pueden exhibir un comportamiento impredecible que puede causar un incendio, una explosión o un riesgo de lesiones.
- No exponga una batería o un aparato al fuego ni a temperaturas excesivas. La exposición al fuego o a una temperatura superior a 265°F (130°C) puede provocar una explosión.
- Únicamente un técnico de reparación cualificado puede realizar las tareas de servicio de la unidad utilizando exclusivamente piezas de repuesto idénticas de Greenworks. Esto prolongará la vida útil de la unidad y mantendrá la seguridad del producto.
- No modifique ni intente reparar el aparato o la batería (según corresponda), excepto lo indicado en las instrucciones de uso y cuidado.
- Siga todas las instrucciones de carga y no cargue la batería o el aparato fuera del intervalo de temperatura especificado en las instrucciones. La carga incorrecta o a temperaturas fuera del intervalo

especificado puede dañar la batería y aumentar el riesgo de incendio.

2.4 SEGURIDAD INFANTIL

Pueden producirse accidentes trágicos si el operario no es consciente de la presencia de niños.

- Mantenga a los niños fuera de la zona de trabajo y bajo la vigilancia de un adulto responsable.
- No permita que niños menores de 14 años utilicen esta máquina. Los niños de 14 años y mayores deben leer y entender las instrucciones de funcionamiento y las normas de seguridad que se encuentran en este manual y deben recibir formación y supervisión por parte de uno de sus progenitores.
- Manténgase alerta y apague la máquina si un niño o cualquier otra persona entra en la zona de trabajo.
- Tenga mucho cuidado al acercarse a esquinas ciegas, portales, arbustos, árboles u otros objetos que puedan ocultar su visión de un niño que pueda correr hacia el recorrido de la máquina.

2.5 CONSERVE ESTAS INSTRUCCIONES

3 MONTAJE

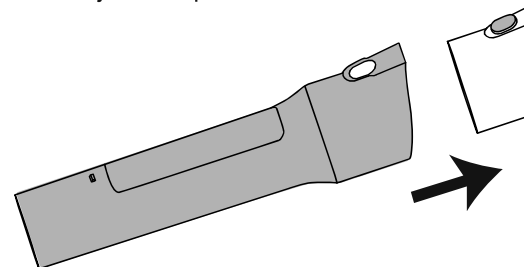
Esta sección describe cómo montar y ajustar el producto.

⚠ AVISO

DEBE LEER DETENIDAMENTE Y ENTENDER EL CAPÍTULO DE SEGURIDAD Y LAS INSTRUCCIONES DE MONTAJE ANTES DE MONTAR EL PRODUCTO.

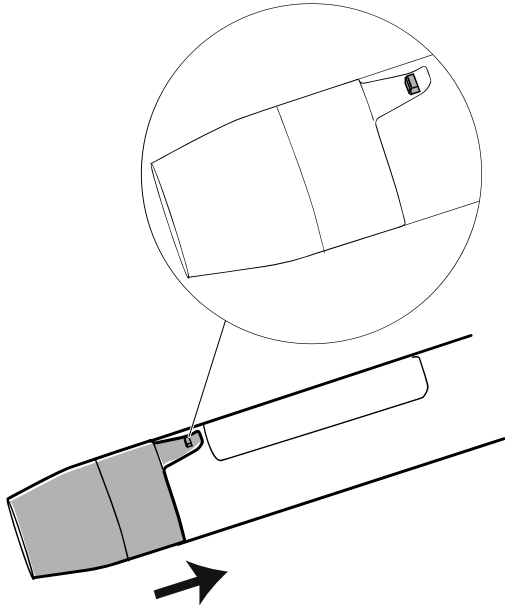
3.1 INSTALACIÓN DEL TUBO SOPLADOR

1. Acople el tubo soplador en el extremo tubular del producto hasta que el botón de desbloqueo del tubo encaje en su posición en el orificio.



Nota: Asegúrese de que el tubo del soplador esté bien fijado en el extremo tubular antes de poner en marcha el producto.

- Para lograr una mayor velocidad del aire, acople la boquilla cónica al tubo soplador hasta que encaje en su posición.



Nota: asegúrese de que la boquilla cónica y el tubo soplador estén bien fijados antes de poner en marcha el producto.

4 FUNCIONAMIENTO

Esta sección describe el funcionamiento del producto.

⚠ AVISO

DEBE LEER DETENIDAMENTE Y ENTENDER EL CAPÍTULO DE SEGURIDAD Y LAS INSTRUCCIONES DE FUNCIONAMIENTO ANTES DE UTILIZAR EL PRODUCTO.

4.1 ANTES DE UTILIZAR EL PRODUCTO

4.1.1 CONEXIÓN DEL CARGADOR BATERÍA

- Conecte el cargador de batería al voltaje y la frecuencia adecuada que se especifica en la placa de características.
- Consulte el Manual del operario del cargador de batería para obtener información sobre cómo usar el cargador de batería.

4.1.2 CARGA DE LA BATERÍA

Consulte el manual del operario del cargador de batería para obtener información sobre su uso.

4.1.3 INFORMACIÓN DE LA BATERÍA

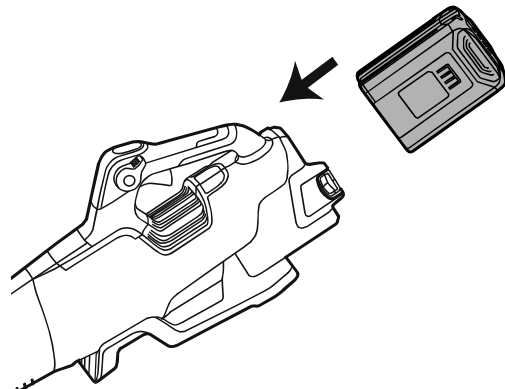
Consulte el manual del operario de la batería para obtener información sobre su uso.

4.1.4 CONEXIÓN DE LA BATERÍA AL PRODUCTO

⚠ AVISO

UTILICE ÚNICAMENTE BATERÍAS ORIGINALES DE GREENWORKS CON EL PRODUCTO.

- Asegúrese de que la batería esté totalmente cargada.
- Empuje la batería para introducirla en el compartimento de la batería. La batería se bloquea en su posición cuando se oye un clic.



ES

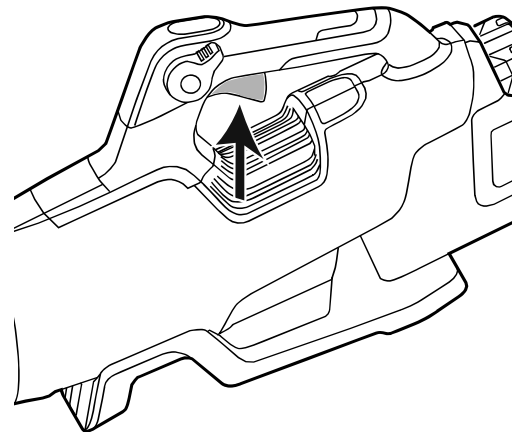
⚠ PRECAUCIÓN

SI LA BATERÍA NO ENTRA FÁCILMENTE EN SU COMPARTIMENTO, ESTO SIGNIFICA QUE NO ESTÁ INSTALADA CORRECTAMENTE. ESTO PUEDE PROVOCAR DAÑOS EN EL PRODUCTO.

- Asegúrese de que la batería esté correctamente instalada.

4.2 ARRANQUE DEL PRODUCTO

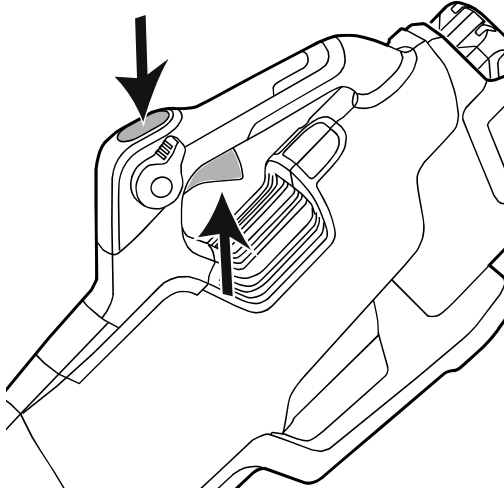
- Apriete el gatillo para poner en marcha el producto.



- El gatillo de velocidad variable ofrece mayor velocidad de aire con mayor presión del gatillo y menor velocidad de aire con menor presión de gatillo.

4.3 ACTIVACIÓN DEL IMPULSO TURBO (AUMENTO TEMPORAL DEL FLUJO DE AIRE)

1. Apriete el gatillo para poner en marcha el producto.
2. Pulse el botón de impulso turbo para activar el flujo de aire máximo.

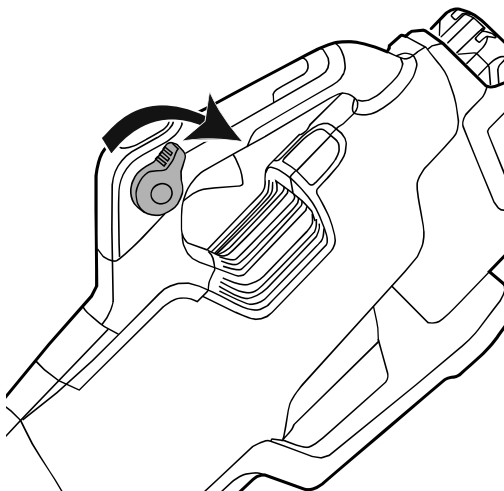


3. Suelte el botón de impulso turbo para utilizar el producto con el ajuste de flujo de aire predeterminado.

Nota: El uso del botón de impulso turbo dará lugar a un consumo más rápido de la batería. Tenga precaución y active el impulso turbo solo cuando sea necesario.

4.4 ACTIVACIÓN DEL CONTROL DE CRUCERO (FLUJO DE AIRE SOSTENIDO)

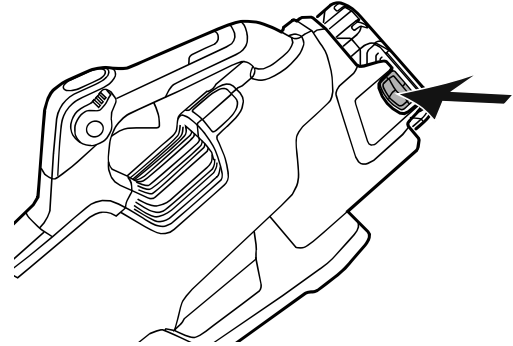
1. Apriete el gatillo para poner en marcha el producto y seleccione el flujo de aire óptimo para su trabajo.
2. Gire la palanca de control de crucero en sentido horario para sostener el flujo de aire seleccionado.



Nota: Gire la palanca de control de crucero en sentido horario para aumentar la velocidad. Tire de la palanca de control de crucero en sentido antihorario para disminuir la velocidad o desconectar por completo.

4.5 PARADA DEL PRODUCTO

1. Suelte el gatillo.
2. Pulse y mantenga pulsado el botón de desbloqueo de la batería.
3. Retire la batería del producto para detener por completo su funcionamiento.



5 MANTENIMIENTO

IMPORTANTE

Debe leer detenidamente y entender los reglamentos de seguridad y las instrucciones de mantenimiento antes de limpiar, reparar o realizar tareas de mantenimiento en el producto (referencia a los reglamentos de seguridad y las instrucciones de mantenimiento).

AVISO

- **RETIRE LA BATERÍA O BATERÍAS DEL PRODUCTO ANTES DE REALIZAR CUALQUIER TAREA DE MANTENIMIENTO.**
- **EL INCUMPLIMIENTO DE LAS TAREAS DE MANTENIMIENTO ADECUADAS, EL USO DE PIEZAS DE REPUESTO DE TERCEROS O LA MODIFICACIÓN/ELIMINACIÓN DE COMPONENTES PUEDE PROVOCAR LESIONES AL USUARIO.**

5.1 PROGRAMA DE MANTENIMIENTO

A continuación figura una lista de los pasos de mantenimiento que deben realizarse en el producto.

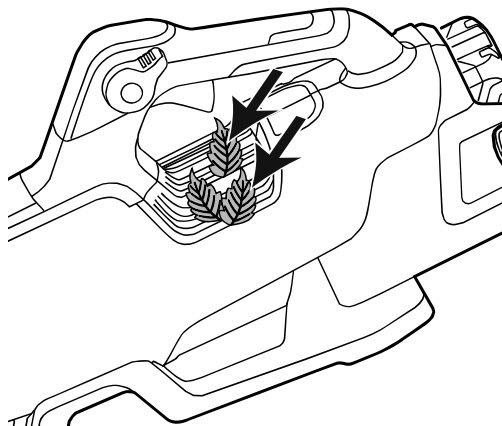
Mantenimiento	Diario	Semanal	Mensual
Limpie el exterior del producto con un paño limpio y seco. Nunca utilice agua.	X		
Mantenga las asas secas, limpias y sin restos de aceite y grasa.	X		
Asegúrese de que el gatillo funcione correctamente.	X		
Compruebe que las tuercas y los tornillos estén bien apretados.	X		
Compruebe que la batería esté intacta.	X		
Compruebe la carga de la batería.	X		
Compruebe que el botón de desbloqueo funcione y bloquee la batería en su posición.	X		
Compruebe que el cargador de batería esté intacto y funcione correctamente.	X		
Inspeccione todos los acoplamientos, las conexiones y los cables en busca de daños o suciedad.		X	
Compruebe las conexiones entre la batería y el producto, así como la conexión entre la batería y el cargador de batería.			X

5.2 COMPROBACIÓN DE LA REJILLA DE ENTRADA DE AIRE

PRECAUCIÓN

EN CASO DE OBSTRUCCIÓN DE LA REJILLA DE ENTRADA DE AIRE O DEL ROTOR, LA CAPACIDAD DE SOPLADO DEL PRODUCTO DISMINUYE Y LA TEMPERATURA DE FUNCIONAMIENTO DEL MOTOR AUMENTA. SI EL MOTOR SE CALIENTA DEMASIADO, PUEDE PRODUCIRSE UN FALLO DEL MISMO.

1. Asegúrese de que la rejilla de entrada de aire no esté obstruida.



2. Si es necesario, detenga el producto y retire las hojas o residuos de la rejilla de entrada de aire.

5.3 EXAMINE LA BATERÍA Y EL CARGADOR DE BATERÍA.

Inspeccione cuidadosamente la batería, el cargador de batería y el cable de conexión del cargador de batería para detectar indicios de daño, como grietas o piezas rotas. Sustituir si es necesario.

5.4 LIMPIEZA DEL PRODUCTO

⚠ PRECAUCIÓN

- MANTENGA EL AGUA ALEJADA DEL COMPARTIMENTO DE LA BATERÍA DURANTE LA LIMPIEZA PARA EVITAR DAÑAR LOS COMPONENTES ELÉCTRICOS.
- NO LIMPIE CON ALCOHOL, GASOLINA, ACETONA U OTROS DISOLVENTES CORROSIVOS/VOLÁTILES. ESTAS SUSTANCIAS PUEDEN DAÑAR LA ESTRUCTURA EXTERNA E INTERNA DE SU PRODUCTO.
- NO FROTE CON PAPEL DE LIJA O CEPILLO METÁLICO.

Limpie el producto después de cada uso con agua, detergente neutro y un paño suave.

5.5 LIMPIEZA DE LA BATERÍA Y EL CARGADOR DE BATERÍAS

⚠ AVISO

NO LIMPIE LA BATERÍA NI EL CARGADOR DE BATERÍAS CON AGUA.

- Asegúrese de que la batería, el cargador de baterías y el compartimento de la batería estén limpios y secos antes de insertar la batería en el cargador de baterías.
- Limpie los terminales de la batería con un paño suave y seco.
- Limpie la superficie de la batería y el cargador de baterías con un paño suave y seco.

6 TRANSPORTE, ALMACENAMIENTO Y ELIMINACIÓN

6.1 TRANSPORTE

- Todas las piezas desmontables (electrónicas), como el cargador y la batería, deben desconectarse siempre del producto antes del transporte.
- Siempre que sea posible, evite transportar el producto en condiciones meteorológicas adversas.
- Asegúrese de cubrir bien las piezas electrónicas al descubierto si es inevitable el transporte en condiciones climáticas adversas.
- Utilice cinta adhesiva en los contactos abiertos de la batería y asegúrese de que esté bien guardada para evitar que se mueva.
- Las altas velocidades, junto con el viento y la lluvia, pueden ocasionar la entrada de humedad a presión en los componentes electrónicos, lo que puede provocar fallos de funcionamiento temporales o defectos permanentes.
- En caso de producirse un fallo de funcionamiento tras el transporte en tales condiciones, retire la batería y deje que todas las piezas se sequen al aire cuando llegue a su destino.

6.2 ALMACENAMIENTO

Si el producto no se utiliza durante un periodo prolongado, es necesario realizar un mantenimiento adecuado durante el almacenamiento.

- Almacene el producto bloqueado para evitar su uso no autorizado o daños.
- Almacene el producto en una zona seca y bien ventilada.
- Almacene el producto fuera del alcance de los niños.

6.3 ELIMINACIÓN DE LA BATERÍA, EL CARGADOR DE BATERÍA Y EL PRODUCTO

Los símbolos en el producto o en el embalaje del producto significan que el producto no es un desecho doméstico. Recíclelo en un centro de reciclaje de aparatos eléctricos y electrónicos. Esto ayuda a evitar daños al medio ambiente y las personas.

Póngase en contacto con las autoridades locales, el servicio de recogida de desechos domésticos o su distribuidor para obtener más información sobre cómo reciclar el producto.

7 SOLUCIÓN DE PROBLEMAS

PROBLEMA	POSIBLE CAUSA	POSIBLE SOLUCIÓN
El producto no se pone en marcha.	La batería no se ha instalado bien.	Asegúrese de insertar bien la batería en el producto.
	La batería se ha agotado.	Cargue la batería.
	El interruptor está defectuoso.	Un centro de servicio técnico autorizado debe encargarse de sustituir las piezas defectuosas.
	El motor está defectuoso.	
	La placa de circuitos impresos está defectuosa.	
El aire no fluye por el tubo cuando pone en marcha el producto.	La entrada de aire o la salida del tubo tiene una obstrucción.	Elimine con cuidado la obstrucción.

8 DATOS TÉCNICOS

Tensión	60V
Volumen de aire	630 CFM (0.3 m ³ /s)
Velocidad de aire	170 MPH (75.99 m/s)
Modelo de batería	LB60251 / LB6041 / LB6042 / LB6051 / LB6081 y otras series BAC
Modelo de cargador	CAC801 / CH60R00 / CH60DP01 / CHDPC10A y otras series CAC

Intervalos recomendados de temperatura ambiente:

Situación	Temperatura
Almacenamiento del producto	32 °F (0 °C) ~ 113 °F (45 °C)
Funcionamiento del producto	32 °F (0 °C) ~ 113 °F (45 °C)
Carga de la batería	39 °F (4 °C) ~ 104 °F (40 °C)
Funcionamiento del cargador	39 °F (4 °C) ~ 104 °F (40 °C)
Almacenamiento de la batería	32 °F (0 °C) ~ 113 °F (45 °C)
Descarga de la batería	32 °F (0 °C) ~ 113 °F (45 °C)

ES

9 GARANTÍA LIMITADA



Por la presente Greenworks garantiza este producto, al comprador original con el comprobante de compra, durante un periodo de cuatro (4) años frente a defectos en materiales, piezas o mano de obra. A su entera discreción Greenworks reparará o sustituirá cualquiera y todas las piezas que resulten ser defectuosas, con un uso normal, sin coste alguno para el cliente. Esta garantía es válida únicamente para unidades que se hayan utilizado para uso personal que no han sido arrendadas o alquiladas para uso industrial/comercial y cuyo mantenimiento se ha realizado de acuerdo con las instrucciones del manual del operario suministrado con el producto nuevo.

ARTÍCULOS NO CUBIERTOS POR LA GARANTÍA:

1. Cualquier pieza que no funcione debido a mal uso, uso comercial, abuso, negligencia, accidente, mantenimiento inadecuado o alteración; o
2. La unidad, si no ha sido utilizada o mantenida de acuerdo con el manual del operario; o
3. Desgaste normal;
4. Artículos de mantenimiento de rutina tales como lubricantes, afilado de cuchillas;
5. Deterioro normal del acabado exterior debido al uso o la exposición.

LÍNEA DE ASISTENCIA TELEFÓNICA:

Puede contactar con el servicio de garantía llamando a nuestra línea de asistencia telefónica gratuita, a 1-855-345-3934.

COSTES DE TRANSPORTE:

Los costes de transporte por el desplazamiento de cualquier unidad o accesorio de equipos eléctricos son responsabilidad del comprador. Es responsabilidad del comprador pagar los costes de transporte de cualquier pieza enviada para su sustitución bajo esta garantía, a menos que dicha devolución sea solicitada por escrito por Greenworks.

Dirección en EE.UU.:

Greenworks Tools

P.O. Box 1238, Mooresville, NC 28115

Dirección en Canadá:

Greenworks Tools Canada, Inc.

P.O. Box 93095, Newmarket, Ontario, L3Y 8K3

Dirección en México:

TECNOLOGIA CAMPO Y JARDIN S.A. DE C.V.

ADMINISTRADORES No. 5336 A, COL. ARCOS DE GUADALUPE, ZAPOPAN, JALISCO, C.P. 45037

greenworks[®]

www.greenworkstools.com

