

greenworks

P0803662-01 Rev B

EN POWER CLEANER
FR NETTOYANT PUISSANT
ES LIMPIADOR

OPERATOR MANUAL
MANUEL DE L'UTILISATEUR
MANUAL DEL OPERADOR



PC24B00

www.greenworkstools.com

1	Description.....	4	5.6	Use the self-siphon hose.....	6
1.1	Purpose.....	4	5.7	Use the garden hose.....	7
1.2	Product overview.....	4	6	Operation.....	7
1.3	Packing list.....	4	6.1	Use the power cleaner.....	7
2	General power tool safety		6.2	Adjust the spray nozzle.....	8
	warnings.....	4	6.3	5-in-1 Nozzle.....	8
3	Risk levels.....	4	6.4	Install the soap applicator.....	8
4	Recycle.....	5	7	Maintenance	9
5	Installation.....	5	8	Store the machine.....	9
5.1	Unpack the machine.....	5	9	Troubleshooting.....	9
5.2	Install the spray wand.....	5	10	Technical data.....	10
5.3	Install the nozzle.....	5	11	Limited warranty.....	10
5.4	Install the battery pack.....	6	12	Exploded view.....	11
5.5	Remove the battery pack.....	6			

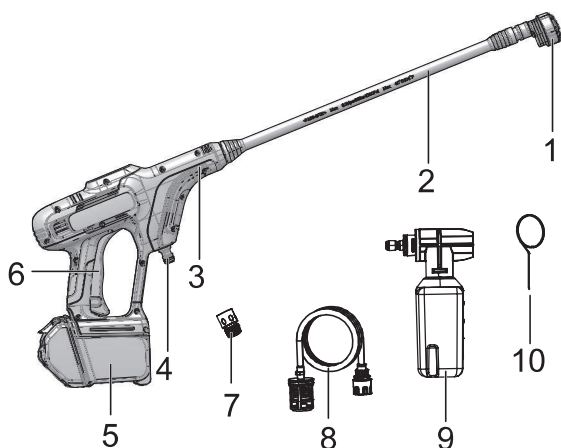
1 DESCRIPTION

1.1 PURPOSE

The machine is used to clean vehicles, boats, buildings, porches, decks, bicycles, and outdoor furniture.

For residential use only, not for professional use, and for operation at temperature above 32°F (0°C).

1.2 PRODUCT OVERVIEW



- | | | | |
|---|---------------------|----|-------------------------|
| 1 | 5-in-1 spray nozzle | 7 | Garden hose adaptor |
| 2 | Spray wand | 8 | Self-siphon hose |
| 3 | Front handle | 9 | Soap applicator |
| 4 | Water inlet | 10 | Spray tip cleaning tool |
| 5 | Battery compartment | | |
| 6 | Trigger | | |

1.3 PACKING LIST

- Main machine
- Detergent tank
- 5-in-1 spray nozzle
- Water inlet connector
- Gun wand
- Self-siphon hose
- Spray tip cleaning tool
- Operator manual

2 GENERAL POWER TOOL SAFETY WARNINGS

- Read all the instructions before using the product.
- To reduce the risk of injury, close supervision is necessary when a product is used near children.
- Know how to stop the product and bleed pressure quickly. Be thoroughly familiar with the controls.
- Stay alert – watch what you are doing.
- Do not operate the product when fatigued or under the influence of alcohol or drugs.
- Keep operating area clear of all persons.

- Do not overreach or stand on unstable support. Keep good footing and balance at all times.
- Follow the maintenance instructions specified in the manual.
- Risk of Injection or Injury– DO NOT DIRECT DISCHARGE STREAM AT PERSONS.
- Read all safety warnings and instructions. Failure to follow the warnings and instructions may result in electric shock, fire and/or serious injury.
- Prevent unintentional starting. Ensure the switch is in the off-position before connecting to battery pack, picking up or carrying the appliance. Carrying the appliance with your finger on the switch or energizing appliance that have the switch on invites accidents.
- Disconnect the battery pack from the appliance before making any adjustments, changing accessories, or storing appliance. Such preventive safety measures reduce the risk of starting the appliance accidentally.
- When battery pack is not in use, keep it away from other metal objects, like paper clips, coins, keys, nails, screws or other small metal objects, that can make a connection from one terminal to another. Shorting the battery terminals together may cause burns or a fire.
- Do not use a battery pack or appliance that is damaged or modified. Damaged or modified batteries may exhibit unpredictable behavior resulting in fire, explosion or risk of injury.
- Do not expose a battery pack or appliance to fire or excessive temperature. Exposure to fire or temperature above 265°F may cause explosion.
- Follow all charging instructions and do not charge the battery pack or appliance outside of the temperature range specified in the instructions. Charging improperly or at temperatures outside of the specified range may damage the battery and increase the risk of fire.
- Have servicing performed by a qualified repair person using only identical replacement parts. This will ensure that the safety of the product is maintained.
- Do not modify or attempt to repair the appliance or the battery pack (as applicable) except as indicated in the instructions for use and care.

3 RISK LEVELS

The following signal words and meanings are intended to explain the levels of risk associated with this product.

SYM-BOL	SIGNAL	MEANING
	DANGER	Indicates an imminently hazardous situation, which, if not avoided, will result in death or serious injury.
	WARNING	Indicates a potentially hazardous situation, which, if not avoided, could result in death or serious injury.

SYM-BOL	SIGNAL	MEANING
	CAUTION	Indicates a potentially hazardous situation, which, if not avoided, may result in minor or moderate injury.
	CAUTION	(Without Safety Alert Symbol) Indicates a situation that may result in property damage.

4 RECYCLE

	Separate collection. You must not discard with usual household waste. If it is necessary to replace the machine, or if it is no more use to you, do not discard it with household waste.
	Separate collection of used machine and packaging let you recycle materials and use them again. Use of the recycled materials helps prevent environmental pollution and decreases the requirements for raw materials.
	At the end of their useful life, discard batteries with a precaution for our environment. The battery contains material that is dangerous to you and the environment. You must remove and discard these materials separately at a location that accepts lithium-ion batteries.

5 INSTALLATION

5.1 UNPACK THE MACHINE

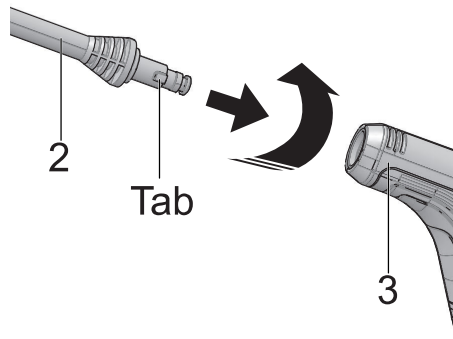
▲ WARNING
Make sure that you correctly assemble the machine before use.

- ▲ WARNING**
- If parts of the machine are damaged, do not use the machine.
 - If you do not have all the parts, do not operate the machine.
 - If parts are damaged or missing, contact the service center.

1. Open the package.
2. Read the documentation provided in the box.
3. Remove all the unassembled parts from the box.
4. Remove the machine from the box.

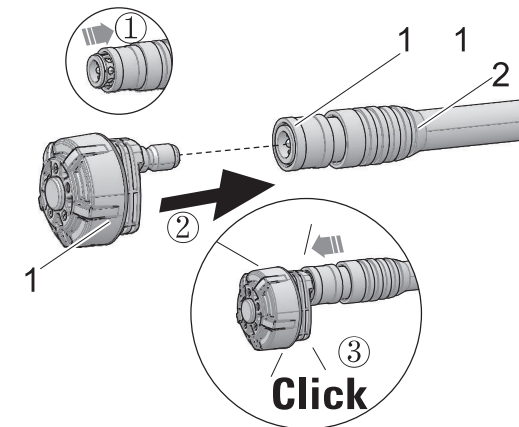
5. Discard the box and packing material in compliance with local regulations.

5.2 INSTALL THE SPRAY WAND



1. Push the end of the spray wand (2) into the gun handle (1).
2. Turn the spray wand (2) counter-clockwise until the tabs lock into position.

5.3 INSTALL THE NOZZLE

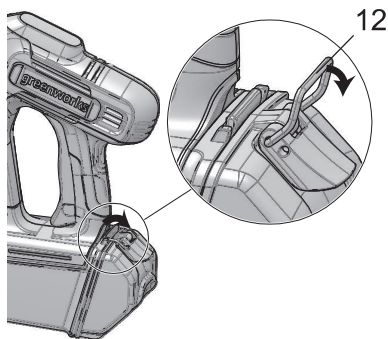


- ▲ WARNING**
Before you change the nozzle:
1. Pull the spray gun trigger to release water pressure.
 2. Lock the trigger safety button on the gun.
 3. Stop the machine.

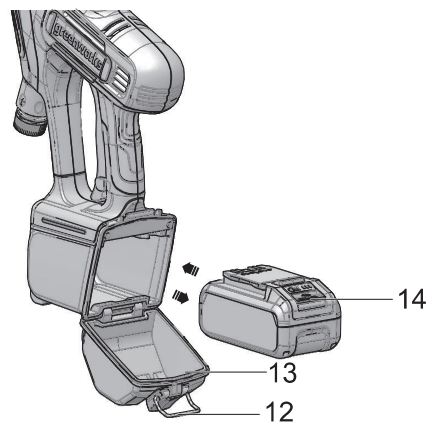
▲ WARNING
Do not point the spray wand (2) at your face or others'.

1. Pull back the quick-connect collar (11) on the spray wand (2).
2. Install the nozzle (1) onto the spray wand (2).
3. Release the quick-connect collar to attach the nozzle (1).

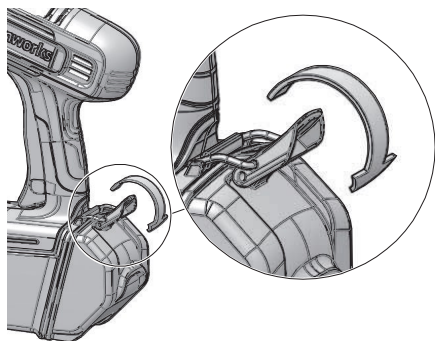
5.4 INSTALL THE BATTERY PACK



1. Pull back on the hinge lock lever (12).
2. Unhook the hinge (12) from the battery door (13).



3. Open the battery door (13).
4. Align the lift ribs on the battery pack with the grooves in the battery compartment.
5. Push the battery pack into the battery compartment until the battery pack locks into place.
6. When you hear a click, the battery pack is installed.
7. Close the battery door (13) and lock the hinge (12).

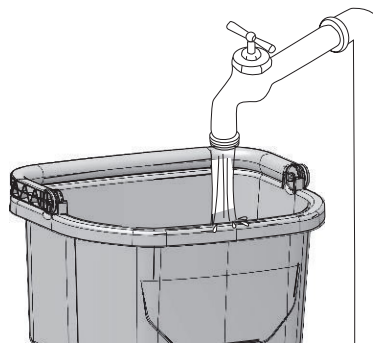


5.5 REMOVE THE BATTERY PACK

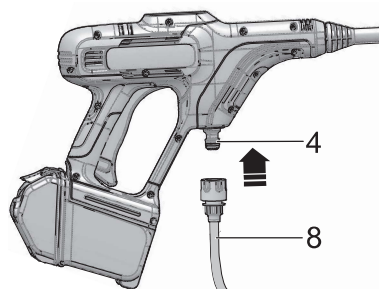
1. Push and hold the battery release button (14) .
2. Remove the battery pack from the machine.

5.6 USE THE SELF-SIPHON HOSE

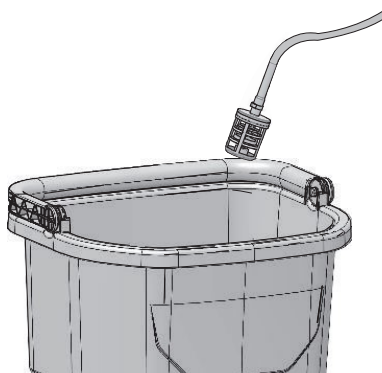
1. Add water to the bucket.



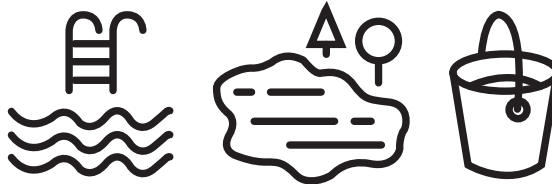
2. Insert one end of the self-siphon hose (8) into the water inlet coupler (4).

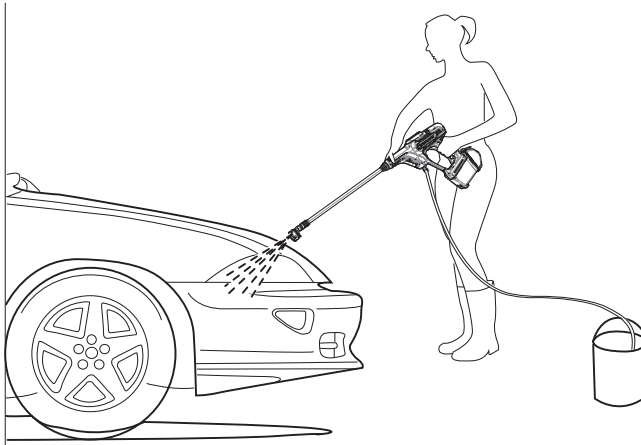


3. Put the other end of the self-siphon hose into the bucket (not included).



NOTE: The siphon kit can also be used in any fresh water source: Swimming Pool, Pond, Lake, or River.





5.7 USE THE GARDEN HOSE

For easy operation, please use a self-coiling garden hose (not provided).

▲ WARNING

When you operate the self-coiling hose, make sure that the hose has no blockage.

▲ WARNING

- The water supply must come from the water main
- Do not use hot water

▲ WARNING

Follow the local regulations when you connect the garden hose to the water supply. Direct connection through a receiver tank or backflow preventer is usually permitted.

▲ CAUTION

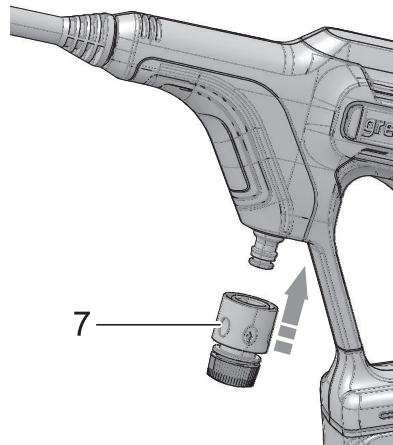
Inspect the filter in the water inlet connector before you connect the garden hose

- If the filter is damaged, do not use the machine until the filter is replaced.
- If the filter is dirty, clean the filter.

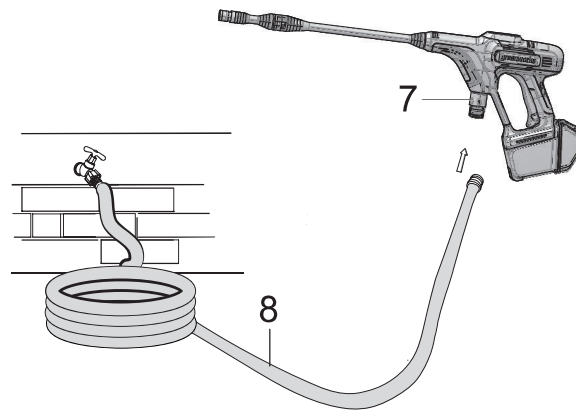
i NOTE

The garden hose adaptor is used to connect the garden hose (not provided) to your machine.

1. Push the garden hose adaptor (7) onto the water inlet coupler until it is tight.



2. Uncoil the garden hose.
3. Install and tighten the end of the garden hose to the water inlet connector.
4. Turn the water supply off.



6 OPERATION

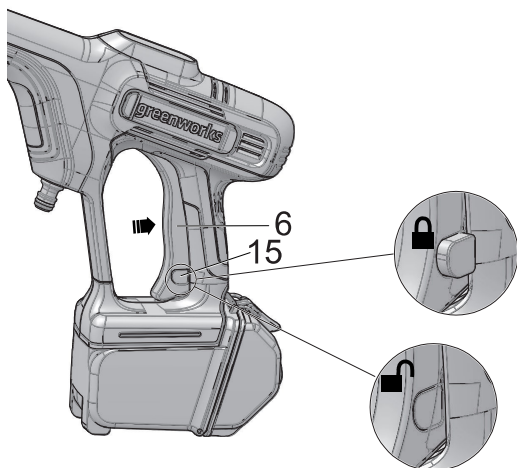
▲ WARNING

Make sure that all the connections are tight and have no leakage before operation.

6.1 USE THE POWER CLEANER

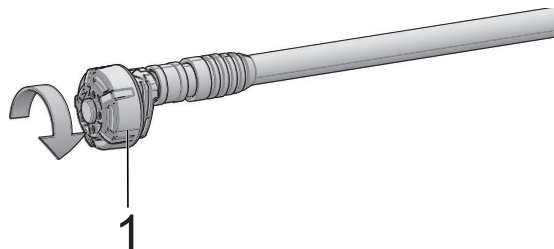
i NOTE

For safe control, keep your hands on the power cleaner at all times.



1. Push the lock-out button (15) into the slot, pull and hold the trigger (6) to start the machine.
2. Release the trigger (6) to stop water flow through the spray nozzle.
3. Push out the lock-out button to lock the trigger.

6.2 ADJUST THE SPRAY NOZZLE



▲ WARNING

Before you adjust the spray nozzle:

- Pull the spray gun trigger to release water pressure.
- Stop the machine.

▲ WARNING

Do not point the spray wand at your face or others'.

1. Rotate the spray nozzle to adjust the spray setting (1).

6.3 5-IN-1 NOZZLE

Mode	APPLICATION
	Stream mode (0°) <ul style="list-style-type: none"> • The 0 degree mode provides a straight line of spray. It provides the highest amount of pressure. It is best used for removing hard, stuck-on grime or dirt.

Mode	APPLICATION
	Narrow fan mode (15°) <ul style="list-style-type: none"> • This mode provides high versatility with 15 degree angle. It provides adequate pressure to remove dirt from surfaces, but is designed to not damage many surfaces. This mode is designed for “sweeping” foliage or debris given its wide angle. This mode is versatile due to its wide area of cleaning and strong pressure application.
	Narrow fan mode (25°) <ul style="list-style-type: none"> • This mode provides high versatility with 25 degree angle. It provides adequate pressure to remove dirt from surfaces, but is designed to not damage many surfaces. This mode is designed for “sweeping” foliage or debris given its wide angle. This mode is versatile due to its wide area of cleaning and strong pressure application.
	Wide fan mode (40°) <ul style="list-style-type: none"> • The white 40 degree tip, referred to as the “fan” tip creates the widest area of cleaning with relatively low pressure. This mode is best used for light or delicate cleaning applications. It is recommended for light cleaning on wood decks and other soft or delicate surfaces.
	Watering mode <ul style="list-style-type: none"> • The mode is used for watering application. Watering is applied under low pressure high volume for optimum performance. Watering cannot be applied under high pressure with this machine.

6.4 INSTALL THE SOAP APPLICATOR

▲ WARNING

Do not use household detergents, acids, alkalines, bleaches, solvents, flammable material, or industrial grade solutions, which can do damage to the pump.

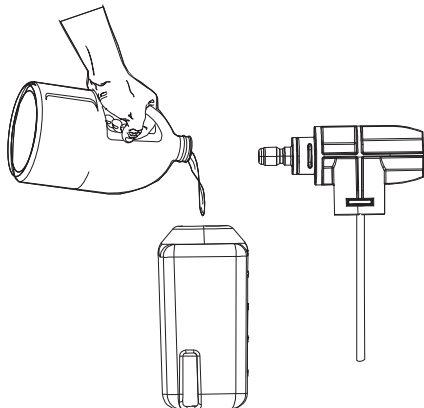
▲ WARNING

Do the instructions on the solution bottle to prepare detergent.

i NOTE

If it is necessary, use a funnel to prevent the spill of detergent. Clean and dry the spilled detergent when you fill it.

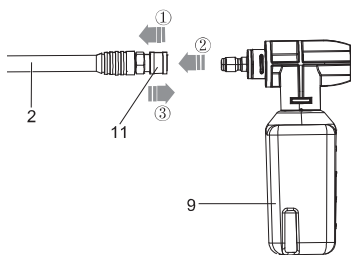
1. Pour the detergent into the soap applicator.



2. Install the soap applicator onto the gun wand.
3. Turn clockwise the gun to tighten.

i NOTE

Do not let detergent dry on the surface to prevent streaks.

**7 MAINTENANCE****▲ WARNING**

Before repairs and maintenance, please remove the battery pack from the machine.

- Before each use, please check the machine and parts for damage. If you find any damage to the machine or parts, please stop using the machine and contact the supplier or manufacturer to replace the parts.
- Remove the filter cover first. Then remove the dirt on the filter, rinse the parts with clean water, and finally put the cover back.

8 STORE THE MACHINE

- Please wipe the body with a soft brush or clean cloth. Do not use water, solvents or polishing agents. Keep the machine in a safe, dry place, out of reach of children. Do not place other objects on the machine.

- When storing the machine and accessories, take care to prevent frost.

9 TROUBLESHOOTING

PROBLEM	POSSIBLE CAUSE	SOLUTION
The machine is started, the pressure is insufficient.	Water pipe filter is blocked	Remove the water pipe filter and clean up debris with water
	Bad connection between equipment water pipe and machine	Check and reinstall the water pipe
	The pump, water pipe or other accessories are frozen	Use after thawing
	The siphon hose is kinked	Straighten the siphon hose
Multi-function nozzle is leaking	The nozzle spray mode does not rotate in place	Make sure the nozzle mode icon and the indicator line are aligned
	The nozzle fixing nail is loose	Tighten the nozzle
The outlet pressure suddenly increased	The multi-function nozzle is blocked	Clean the nozzle or use a new nozzle
Water flows out after the machine is turned off	Water remains in the pump after the machine is shut down	Drain the water completely before storing
The detergent tank cannot spray detergent	The detergent tank is blocked	Wash with water
The machine doesn't work	The battery pack is not installed properly	Reinstall the battery pack by pushing the battery firmly in place.
	The battery pack is out of power	Replace with a new battery pack or charge the battery pack
	The battery pack is defective	Replace the battery pack

PROBLEM	POSSIBLE CAUSE	SOLUTION
Machine pressure is not continuous	The pump sucked in air	Check whether the water pipe interface and water pipe of the machine are well connected
	The machine is too high from the water source.	Reduce the machine to less than 1,5m from the water source.
The machine stops automatically	The battery pack is out of power	Replace with a new battery pack or charge the battery pack
	The multi-function nozzle is blocked and the current protection is activated	Remove the nozzle and turn it on, if the machine works normally, clean the nozzle or replace with a new nozzle

10 TECHNICAL DATA

Rated Voltage	24V; Cordless, battery powered
Max. Pounds Per Square Inch Pressure	600 PSI
Max. Gallons Per Minute	0.8 GPM
Maximum Inlet Water Temperature	104 °F (40 °C)
Cleaning Units	480 C.U.
Weight (without battery pack)	5.63 lbs. (2.56 kg)
Battery Mode	BAG701/BAG702/ BAG708/BAG709/ BAG710/BAG711/ BAG714/ BAG715/29842/2902702 and other BAG series
Charge Mode	29972/2903102/CAG801/ CAG817/CAG812 and other CAG series

11 LIMITED WARRANTY



Greenworks hereby warrants this product, to the original purchaser with proof of purchase, for a period of three (3) years against defects in materials, parts or workmanship. Greenworks, at its own discretion, will repair or replace any and all parts found to be defective, through normal use, free of charge to the customer. This warranty is valid only for units which have been used for personal use that have not been purchased or rented for industrial/commercial use, and that have been maintained in accordance with the instructions in the owners' manual supplied with the product when new.

ITEMS NOT COVERED BY WARRANTY:

1. Any part that has become inoperative due to misuse, commercial use, abuse, neglect, accident, improper maintenance, or alteration; or
2. The unit, if it has not been operated and/or maintained in accordance with the owner's manual; or
3. Normal wear;
4. Routine maintenance items such as lubricants, blade sharpening;
5. Normal deterioration of the exterior finish due to use or exposure.

HELPLINE:

Warranty service is available by calling our toll-free helpline at 1-888-909-6757.

TRANSPORTATION CHARGES:

Transportation charges for the movement of any power equipment unit or attachment are the responsibility of the purchaser. It is the purchaser's responsibility to pay transportation charges for any part submitted for replacement under this warranty unless such return is requested in writing by Greenworks.

USA address:

Greenworks Tools
P.O. Box 1238

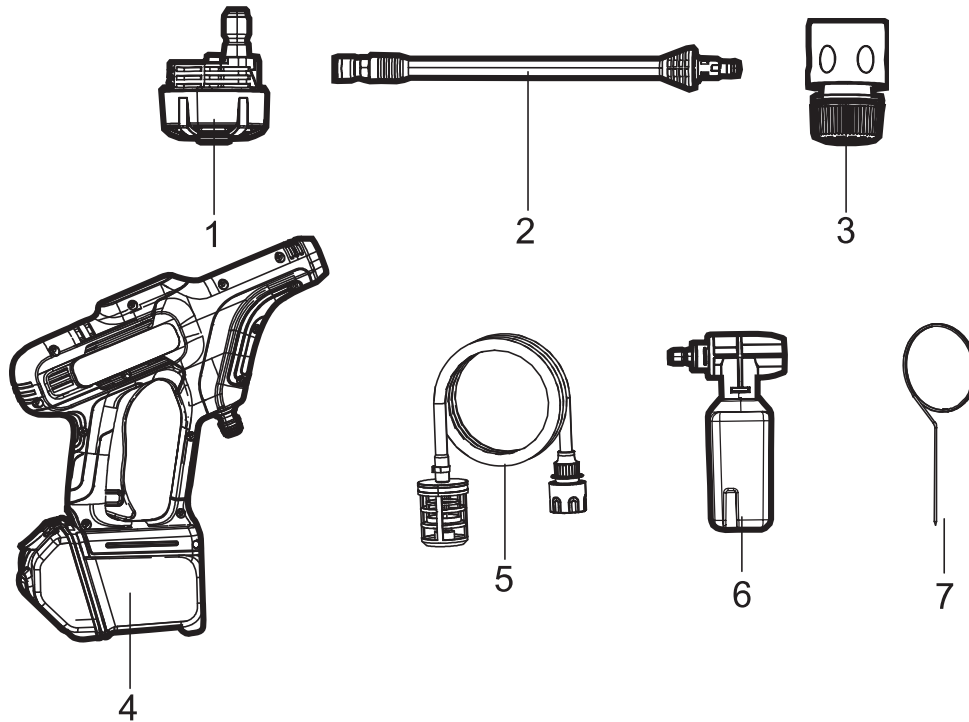
Mooresville, NC 28115

Canadian address:

Greenworks Tools Canada, Inc.
P.O. Box 93095, Newmarket,
Ontario

L3Y 8K3

12 EXPLODED VIEW



No.	Part No.	Description	Qty.
1	C1107178-00	5-in-1 spray nozzle	1
2	C1107024-00	Spray wand assy	1
3	C1100521-00	Water inlet connector assy	1
4	C1107642-00	Power Cleaner assy	1
5	C1104825-00	Self-siphon hose assy	1
6	C1104657-00	Detergent tank	1
7	33201671	Spray tip cleaning tool	1

FR

1	Description.....	13		5.6	Utilisez le tuyau auto-siphon.....	15
	1.1	But.....		5.7	Utilisez le tuyau d'arrosage.....	16
	1.2	Aperçu du produit.....				
	1.3	Liste du contenu de l'emballage.....				
2	Avertissements généraux de sécurité des outils électriques.....			6	Utilisation.....	17
				6.1	Utilisez le nettoyant puissant.....	17
3	Niveaux de risques.....			6.2	Ajustez la buse de pulvérisation.....	17
4	Recyclage.....			6.3	Buse 5 en 1.....	17
5	Installation.....			6.4	Installez l'applicateur de savon.....	18
	5.1	Déballer la machine.....		7	Entretien	18
	5.2	Installez la lance.....		8	Entreposer la machine.....	18
	5.3	Installez la buse.....		9	Dépannage.....	18
	5.4	Installer le bloc-batterie.....		10	Données techniques.....	19
	5.5	Retirer le bloc-batterie.....		11	Garantie limitée.....	19
				12	Vue éclatée.....	20

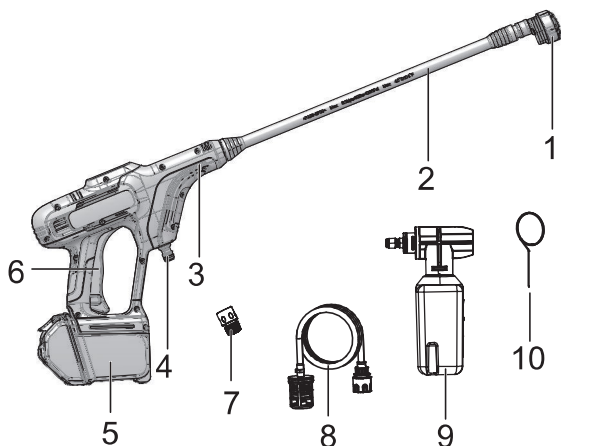
1 DESCRIPTION

1.1 BUT

La machine est utilisée pour nettoyer les véhicules, les bateaux, les bâtiments, les porches, les terrasses, les bicyclettes et les mobiliers de jardin.

Pour usage résidentiel uniquement et ne convient pas à un usage professionnel, et pour une utilisation à une température supérieure à 32 °F (0 °C).

1.2 APERÇU DU PRODUIT



- | | | | |
|---|------------------------------|----|--|
| 1 | Buse de pulvérisation 5 en 1 | 7 | Adaptateur de tuyau d'arrosage |
| 2 | Lance | 8 | Tuyau auto-siphon |
| 3 | Poignée avant | 9 | Applicateur de savon |
| 4 | Entrée d'eau | 10 | Outil de nettoyage de buses de pulvérisation |
| 5 | Compartiment de batterie | | |
| 6 | Gâchette | | |

1.3 LISTE DU CONTENU DE L'EMBALLAGE

- Machine principale
- Réservoir de détergent
- Buse de pulvérisation 5 en 1
- Raccord d'entrée d'eau
- Lance du pistolet
- Tuyau auto-siphon
- Outil de nettoyage de buses de pulvérisation
- Manuel de l'utilisateur

2 AVERTISSEMENTS GÉNÉRAUX DE SÉCURITÉ DES OUTILS ÉLECTRIQUES

- Lisez toutes les instructions avant d'utiliser le produit.

- Afin de réduire les risques de blessure, une surveillance étroite est essentielle lorsqu'un produit est utilisé en présence d'enfants.
- Apprenez à éteindre le produit et à baisser la pression rapidement. Familiarisez-vous avec les commandes.
- Soyez vigilant et faites attention à ce que vous faites.
- N'utilisez pas le produit si vous êtes fatigué ou sous l'influence de l'alcool ou de drogues.
- Gardez toute personne à l'écart de la zone de travail.
- Ne vous penchez pas trop en avant et ne vous tenez pas sur un support instable. Gardez une position stable et un bon équilibre en tout temps.
- Suivez les instructions d'entretien spécifiées dans le manuel.
- Risque d'injection ou de blessure : NE PAS DIRIGER DE VAPEUR VERS LES PERSONNES.
- Lisez tous les avertissements de sécurité et toutes les instructions. Le non-respect de ces avertissements et de ces instructions peut entraîner un choc électrique, un incendie et/ou des blessures graves.
- Évitez tout démarrage accidentel. Assurez-vous que l'interrupteur est en position d'arrêt avant de brancher la batterie, de soulever ou de transporter l'appareil. Le fait de porter l'appareil avec un doigt sur l'interrupteur ou d'alimenter l'appareil dont l'interrupteur est en marche risque de provoquer des accidents.
- Retirez la batterie de l'outil électrique avant d'effectuer des réglages, de changer des accessoires ou de ranger la machine. De telles mesures de sécurité préventives réduisent le risque d'un démarrage accidentel de la machine.
- Lorsque le bloc-batterie n'est pas utilisé, éloignez-le des autres objets métalliques tels qu'attaches trombones, pièces de monnaie, clés, clous, vis ou autres petits objets métalliques qui peuvent établir une connexion d'une borne à une autre. Le court-circuitage des bornes de la batterie peut provoquer des brûlures ou un incendie.
- N'utilisez pas une batterie ou un appareil endommagé ou modifié. Les batteries endommagées ou modifiées peuvent présenter un fonctionnement imprévisible et provoquer un incendie, une explosion ou un risque de blessure.
- N'exposez pas une batterie ou un appareil à un feu ou à une température excessive. L'exposition au feu ou une température supérieure à 265°F peut provoquer une explosion.
- Suivez toutes les instructions de recharge et ne rechargez pas le bloc-batterie ou l'appareil en dehors de la plage de température spécifiée dans ces instructions. Un rechargement incorrect ou à des températures en dehors de la plage spécifiée peut endommager la batterie et augmenter le risque d'incendie.
- Faites effectuer l'entretien par un réparateur qualifié utilisant uniquement des pièces de rechange identiques. Cela garantira le maintien de la sécurité du produit.
- Ne modifiez pas ou n'essayez pas de réparer l'appareil ou le bloc-batterie (selon le cas) sauf en conformité avec les

instructions d'utilisation et d'entretien indiquées dans ce manuel.

3 NIVEAUX DE RISQUES

Les termes de mise en garde suivants et leur signification ont pour but d'expliquer les niveaux de risques associés à l'utilisation de ce produit.

SYMBOLE	SIGNAL	SIGNIFICATION
	DANGER	Indique une situation dangereuse imminente qui, si elle n'est pas évitée, peut entraîner la mort ou des blessures graves.
	AVERTISSEMENT	Indique une situation potentiellement dangereuse qui, si elle n'est pas évitée, peut entraîner la mort ou des blessures graves.
	MISE EN GARDE	Indique une situation potentiellement dangereuse qui, si elle n'est pas évitée, pourrait causer des blessures mineures ou modérées.
	MISE EN GARDE	(Sans symbole d'alerte de sécurité) indique une situation pouvant entraîner des dommages matériels.

4 RECYCLAGE

	Collecte séparée. Vous ne devez pas jeter ces déchets avec les ordures ménagères habituelles. S'il est nécessaire de remplacer la machine, ou si elle ne vous est plus utile, ne la jetez pas avec les déchets ménagers.
	La collecte séparée des machines et des emballages usagés vous permet de recycler les matériaux et de les réutiliser. L'utilisation de matériaux recyclés contribue à la prévention de la pollution de l'environnement et à la réduction des besoins en matières premières.
	À la fin de leur durée de vie utile, jetez les batteries en prenant des précautions pour l'environnement. La batterie contient des matières dangereuses pour les humains et pour l'environnement. Vous devez retirer et jeter ces matériaux séparément à un emplacement qui accepte les batteries aux ions de lithium.

5 INSTALLATION

5.1 DÉBALLER LA MACHINE

▲ AVERTISSEMENT

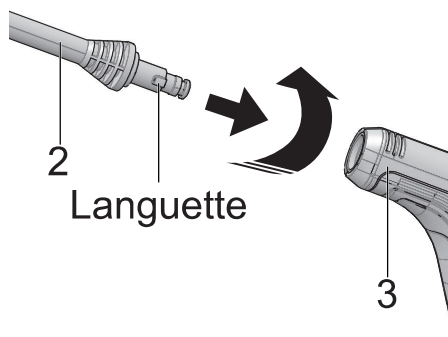
Assurez-vous d'assembler correctement la machine avant de l'utiliser.

▲ AVERTISSEMENT

- Si les pièces de la machine sont endommagées, ne l'utilisez pas.
- Si vous n'avez pas toutes les pièces, n'utilisez pas la machine.
- Si des pièces sont endommagées ou manquantes, communiquez avec le centre de service.

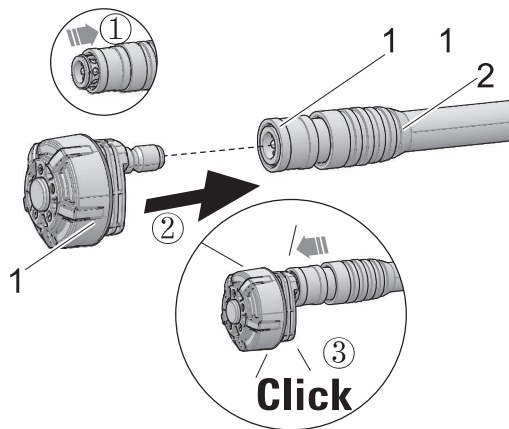
1. Ouvrez l'emballage.
2. Lisez la documentation contenue dans la boîte.
3. Retirez toutes les pièces non assemblées de la boîte.
4. Retirez la machine de sa boîte.
5. Jetez la boîte et l'emballage conformément aux règlements locaux.

5.2 INSTALLEZ LA LANCE



1. Poussez l'extrémité de la lance (2) dans la poignée du pistolet (1).
2. Tournez la lance (2) dans le sens des aiguilles d'une montre jusqu'à ce que les languettes se verrouillent en position.

5.3 INSTALLEZ LA BUSE



⚠ AVERTISSEMENT

Avant de changer la buse :

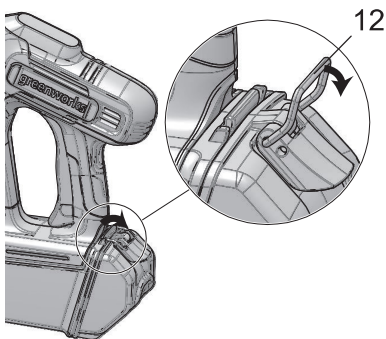
1. Appuyez sur la gâchette du pistolet pour relâcher la pression d'eau.
2. Verrouillez le bouton de sécurité de la gâchette du pistolet.
3. Arrêtez la machine.

⚠ AVERTISSEMENT

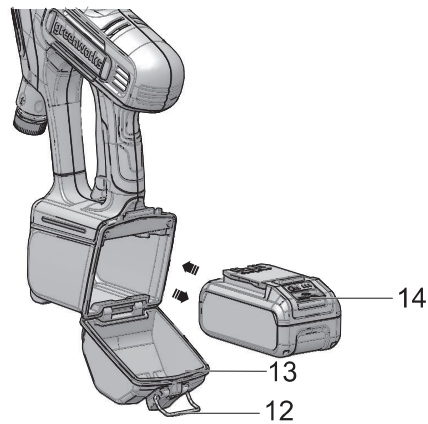
Ne pointez pas la lance (2) sur votre visage ou sur celui des autres.

1. Tirez le collier à raccord rapide (11) sur la bague de vaporisation (2).
2. Installez la buse (1) sur la lance (2).
3. Relâchez le collier à raccord rapide pour fixer la buse (1).

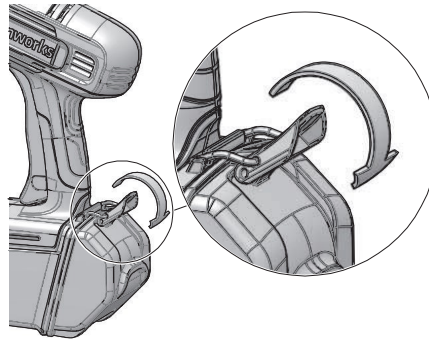
5.4 INSTALLER LE BLOC-BATTERIE



1. Tirez sur le levier de verrouillage de la charnière (12).
2. Décrochez la charnière (12) du couvercle de la batterie (13).



3. Ouvrez le couvercle de la batterie (13).
4. Alignez les languettes du bloc-batterie avec les rainures du compartiment de batterie.
5. Poussez le bloc-batterie dans le compartiment de batterie jusqu'à ce qu'il soit bien encliqueté.
6. Vous devriez entendre un clic lorsque le bloc-batterie sera inséré correctement.
7. Fermez le couvercle de la batterie (13) et verrouillez la charnière (12).

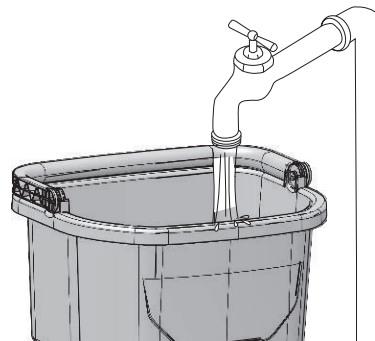


5.5 RETIRER LE BLOC-BATTERIE

1. Poussez et maintenez enfoncé le bouton de déblocage de la batterie (14).
2. Retirez le bloc-batterie de la machine.

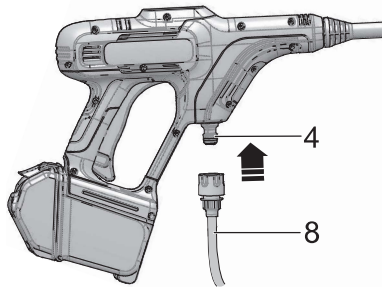
5.6 UTILISEZ LE TUYAU AUTO-SIPHON

1. Ajoutez de l'eau dans le seau.

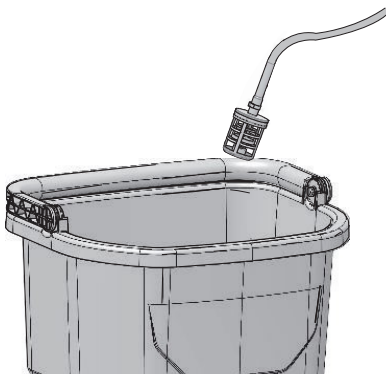


FR

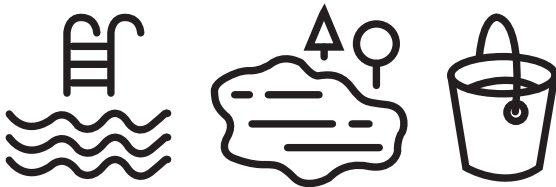
2. Insérez une extrémité du tuyau auto-siphon (8) dans le coupleur d'arrivée d'eau (4).



3. Placez l'autre extrémité du tuyau auto-siphon dans le seau (non inclus).



REMARQUE : La trousse du siphon peut également être utilisée dans toute source d'eau douce : Piscine, étang, lac ou rivière.



5.7 UTILISEZ LE TUYAU D'ARROSAGE

Pour faciliter l'utilisation, veuillez utiliser un tuyau d'arrosage à enroulement automatique (non fourni).

⚠ AVERTISSEMENT

Lorsque vous utilisez le tuyau à enroulement automatique, assurez-vous qu'il n'est pas obstrué.

⚠ AVERTISSEMENT

- L'alimentation en eau doit provenir de la conduite d'eau principale
- N'utilisez pas de l'eau chaude

⚠ AVERTISSEMENT

Respectez les réglementations locales lorsque vous raccordez le tuyau d'arrosage à l'alimentation en eau. Le raccordement direct à un réservoir récepteur ou à un disconnecteur est généralement autorisé.

⚠ ATTENTION

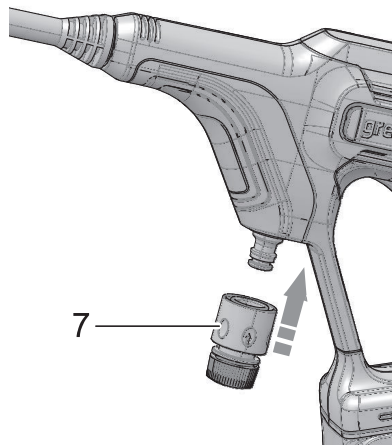
Inspectez le filtre dans le raccord d'entrée d'eau avant de brancher le tuyau d'arrosage

- Si le filtre est endommagé, n'utilisez pas la machine avant de l'avoir remplacé.
- Si le filtre est sale, nettoyez-le.

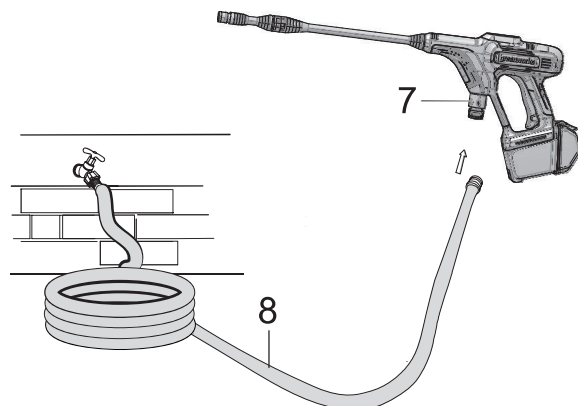
i REMARQUE

L'adaptateur de tuyau d'arrosage est utilisé pour connecter le tuyau d'arrosage (non fourni) à votre machine.

1. Poussez l'adaptateur de tuyau d'arrosage (7) sur le coupleur d'arrivée d'eau jusqu'à ce qu'il soit bien serré.



2. Déroulez le tuyau d'arrosage.
3. Installez et serrez l'extrémité du tuyau d'arrosage sur le raccord d'entrée d'eau.
4. Fermez le robinet de la conduite d'alimentation.



6 UTILISATION

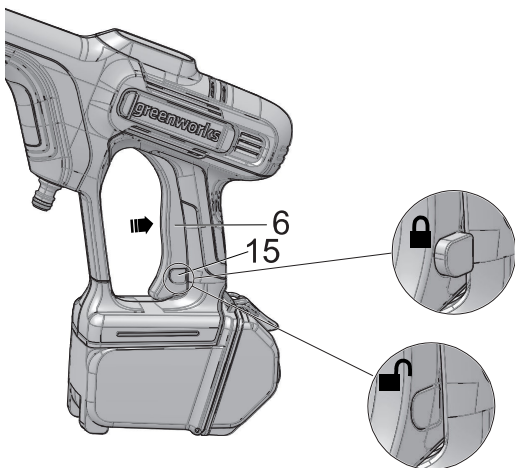
▲ AVERTISSEMENT

Assurez-vous que tous les raccords sont bien serrés et qu'il n'y a pas de fuite avant de les utiliser.

6.1 UTILISEZ LE NETTOYANT PUISSANT

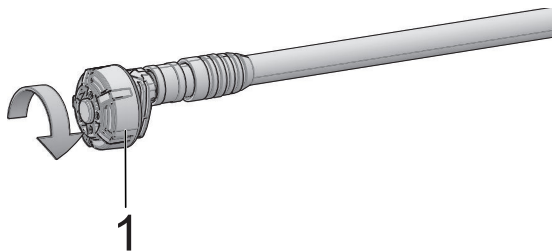
i REMARQUE

Pour un contrôle sûr, gardez toujours vos mains sur le nettoyeur électrique.



1. Poussez le bouton de verrouillage (15) dans la fente, tirez et maintenez la gâchette (6) pour démarrer la machine.
2. Relâchez la gâchette (6) pour arrêter le débit d'eau à travers la buse de pulvérisation.
3. Appuyez sur le bouton de verrouillage pour verrouiller la gâchette.

6.2 AJUSTEZ LA BUSE DE PULVÉRISATION



▲ AVERTISSEMENT

Avant de régler la buse de pulvérisation :

- Appuyez sur la gâchette du pistolet pour relâcher la pression d'eau.
- Arrêtez la machine.

▲ AVERTISSEMENT

Ne pointez pas la lance sur votre visage ou sur celui des autres.

FR

1. Faites tourner la buse de pulvérisation pour régler le réglage de pulvérisation (1).

6.3 BUSE 5 EN 1

Mode	APPLICATION
	<p>Mode flux (0°)</p> <ul style="list-style-type: none"> • Le mode 0 degré fournit une ligne droite de pulvérisation. Il apporte le niveau le plus puissant de pression. Il permet d'enlever les saletés dures, collées ou de la terre.
	<p>Mode ventilateur étroit (15°)</p> <ul style="list-style-type: none"> • Ce mode offre une grande polyvalence avec un angle de 15 degrés. Il fournit une pression adéquate pour éliminer la saleté des surfaces, mais est conçu pour ne pas endommager de nombreuses surfaces. Ce mode est conçu pour « balayer » le feuillage ou les débris compte tenu de son grand angle. Ce mode est polyvalent grâce à sa large zone de nettoyage et à sa forte pression d'application.
	<p>Mode ventilateur étroit (25°)</p> <ul style="list-style-type: none"> • Ce mode offre une grande polyvalence avec un angle de 25 degrés. Il fournit une pression adéquate pour éliminer la saleté des surfaces, mais est conçu pour ne pas endommager de nombreuses surfaces. Ce mode est conçu pour « balayer » le feuillage ou les débris compte tenu de son grand angle. Ce mode est polyvalent grâce à sa large zone de nettoyage et à sa forte pression d'application.
	<p>Mode ventilateur étroit (large 40°)</p> <ul style="list-style-type: none"> • L'extrémité blanche avec un angle de 40 degrés, appelée l'extrémité du « ventilateur », crée la zone de nettoyage la plus large avec une pression relativement basse. Ce mode est idéal pour les applications de nettoyage légères ou délicates. Il est recommandé pour le nettoyage léger des terrasses en bois et autres surfaces moues ou délicates.

Mode	APPLICATION
▼	<p>Mode d'arrosage</p> <ul style="list-style-type: none"> Le mode est utilisé pour l'application d'arrosage. L'arrosage est appliqué sous un volume élevé sous basse pression pour une performance optimale. L'arrosage ne peut pas être appliqué sous haute pression avec cette machine.

6.4 INSTALLEZ L'APPLICATEUR DE SAVON

▲ AVERTISSEMENT

N'utilisez pas de détergents ménagers, d'acides, d'alcalis, d'agents de blanchiment, de solvants, de matières inflammables ou de solutions de qualité industrielle, qui pourraient endommager la pompe.

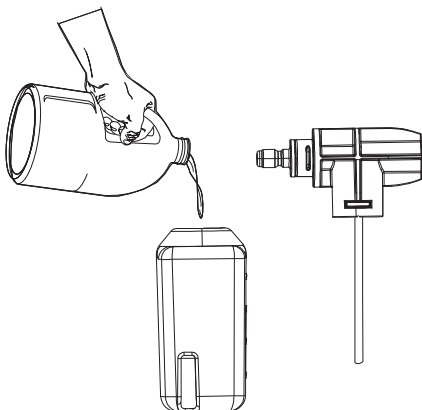
▲ AVERTISSEMENT

Suivez les instructions sur le flacon de solution pour préparer le détergent.

i REMARQUE

Si nécessaire, utilisez un entonnoir pour éviter le déversement de détergent. Nettoyez et séchez le détergent renversé pendant le remplissage.

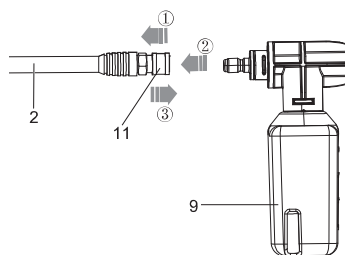
- Versez le détergent dans l'applicateur de savon.



- Installez l'applicateur de savon sur la lance du pistolet.
- Tournez le pistolet dans le sens des aiguilles d'une montre pour le serrer.

i REMARQUE

Ne laissez pas sécher le détergent sur la surface pour éviter les traces.



7 ENTRETIEN

▲ AVERTISSEMENT

Avant les réparations et l'entretien, veuillez retirer la batterie de la machine.

- Avant chaque utilisation, veuillez vérifier que la machine et les pièces ne sont pas endommagées. Si vous constatez des dommages à la machine ou aux pièces, veuillez cesser d'utiliser la machine et communiquer avec le fournisseur ou le fabricant pour remplacer les pièces.
- Retirez d'abord le couvercle du filtre. Retirez ensuite la saleté du filtre, rincez les pièces à l'eau claire et remettez enfin le couvercle en place.

8 ENTREPOSER LA MACHINE

- Veuillez essuyer le corps avec une brosse douce ou un chiffon propre. Ne pas utiliser d'eau, de solvants ou de produits de polissage. Rangez l'appareil dans un endroit sûr et sec, hors de la portée des enfants. Ne placez pas d'autres objets sur la machine.
- Lors du stockage de la machine et des accessoires, veuillez à éviter le gel.

9 DÉPANNAGE

PROBLÈME	CAUSE POSSIBLE	SOLUTION
La machine est en marche, mais la pression est insuffisante.	Le filtre de la conduite d'eau est obstrué	Retirez le filtre du tuyau d'eau et nettoyez les débris avec de l'eau
	Mauvaise connexion entre la conduite d'eau de l'équipement et la machine	Vérifiez et réinstallez la conduite d'eau
	La pompe, la conduite d'eau ou d'autres accessoires sont gelés	Utiliser après décongélation
	Le tuyau du siphon est plié	Redressez le tuyau du siphon

PROBLÈME	CAUSE POSSIBLE	SOLUTION
La buse multifonction fuit	Le mode de pulvérisation de la buse ne tourne pas sur place	Assurez-vous que l'icône du mode de buse et la ligne indicatrice sont alignées
	Le clou de fixation de la buse est desserré	Resserrez la buse
La pression de sortie a soudainement augmenté	La buse multifonction est bloquée	Nettoyez la buse ou utilisez une nouvelle buse
L'eau s'écoule après l'arrêt de la machine	De l'eau reste dans la pompe après l'arrêt de la machine	Videz complètement l'eau avant de la ranger
Le réservoir de détergent ne peut pas pulvériser de détergent	Le réservoir de détergent est bloqué	Laver à l'eau
La machine ne fonctionne pas	La batterie n'est pas correctement installée	Réinstallez le bloc-batterie en le poussant fermement en place.
	Le bloc-batterie est déchargé	Remplacez-la par une nouvelle batterie ou chargez la batterie
	La batterie est défectueuse	Remplacez la batterie
La pression de la machine n'est pas continue	La pompe a aspiré de l'air	Vérifiez si l'interface de conduite d'eau et la conduite d'eau de la machine sont bien connectées
	La machine est trop haute de la source d'eau.	Rapprochez la machine à moins de 1,5 m de la source d'eau.
La machine s'arrête automatiquement	Le bloc-batterie est déchargé	Remplacez-la par une nouvelle batterie ou chargez la batterie
	La buse multifonction est bloquée et la protection de courant est activée	Retirez la buse et allumez la machine ; si elle fonctionne normalement, nettoyez la buse ou remplacez-la par une nouvelle.

10 DONNÉES TECHNIQUES

Tension nominale	24V; Sans fil, alimenté par batterie
Pression maximale en livres par pouce carré	600 PSI
Gallons max. par minute	0.8 GPM
Température maximale de l'eau à l'entrée	104 °C (40 °F)
Appareils de nettoyage	480 C.U.
Poids (sans batterie)	5.63 lbs. (2.56 kg)
Mode Batterie	BAG701/BAG702/ BAG708/BAG709/ BAG710/BAG711/ BAG714/ BAG715/29842/2902702 et autres séries BAG
Mode Charge	29972/2903102/CAG801/ CAG817/CAG812 et autres séries CAG

11 GARANTIE LIMITÉE



Greenworks garantit par la présente ce produit, à l'acheteur original avec preuve d'achat, pour une période de trois (3) ans contre tout défaut de matériaux, de pièces ou de main-d'œuvre. Greenworks, à sa propre discrétion, réparera ou remplacera toutes les pièces défectueuses, dans des conditions normales d'utilisation, sans frais pour le client. Cette garantie n'est valable que pour les appareils qui ont été utilisés à des fins personnelles, qui n'ont pas été loués à des fins industrielles ou commerciales et qui ont été entretenus conformément aux instructions du manuel du propriétaire fourni avec le produit neuf.

ARTICLES NON COUVERTS PAR LA GARANTIE :

1. Toute pièce qui est devenue inopérante en raison d'une mauvaise utilisation, d'une utilisation commerciale, d'un abus, d'une négligence, d'un accident, d'un entretien inapproprié ou d'une modification; ou
2. L'appareil, s'il n'a pas été utilisé et/ou entretenu conformément au manuel du propriétaire; ou
3. Usure normale;
4. Articles d'entretien courant tels que lubrifiants, affûtage des lames;

5. Détérioration normale du fini extérieur due à l'utilisation ou à l'exposition.

ASSISTANCE TÉLÉPHONIQUE :

Le service de garantie est accessible en appelant notre ligne d'assistance téléphonique sans frais, au 1-888-909-6757.

FRAIS DE TRANSPORT :

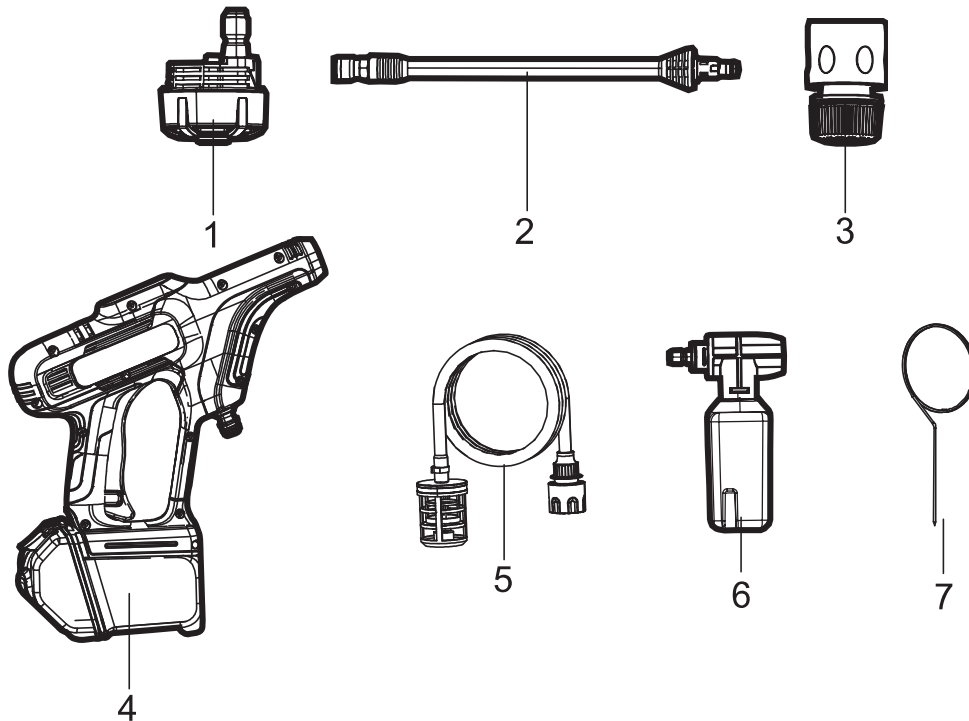
Les frais de transport pour le déplacement de tout équipement motorisé ou accessoire sont à la charge de l'acheteur. Il incombe à l'acheteur de payer les frais de transport pour toute pièce retournée pour remplacement en vertu de la présente garantie, à moins qu'un tel retour soit demandé par écrit par Greenworks.

Adresse aux États-Unis : Adresse au Canada :

Greenworks Tools	Greenworks Tools Canada Inc.
P.O. Box 1238	P.O. Box 93095, Newmarket, Ontario

Mooresville, NC 28115 L3Y 8K3

12 VUE ÉCLATÉE



No	No de pièce	Description	Qté.
1	C1107178-00	Buse de pulvérisation 5 en 1	1
2	C1107024-00	Ensemble lance	1
3	C1100521-00	Ensemble du raccord d'entrée d'eau	1

Français

FR

No	No de pièce	Description	Qté.
4	C1107642-00	Assemblage du nettoyant puissant	1
5	C1104825-00	Assemblage du tuyau auto-siphon	1
6	C1104657-00	Réservoir de détergent	1
7	33201671	Outil de nettoyage de buses de pulvérisation	1

1	Descripción.....	23	5.5	Retirada de la batería.....	25
1.1	Finalidad.....	23	5.6	Uso de la manguera con autosifonado.....	25
1.2	Perspectiva general del producto.....	23	5.7	Uso la manguera de jardín.....	26
1.3	Lista de embalaje.....	23	6	Funcionamiento.....	26
2	Advertencias generales de seguridad para herramientas eléctricas.....	23	6.1	Uso del limpiador.....	27
3	Niveles de riesgo.....	24	6.2	Ajuste de la boquilla de pulverización.....	27
4	Reciclaje.....	24	6.3	Boquilla 5 en 1.....	27
5	Instalación.....	24	6.4	Instalación del aplicador de jabón.....	28
5.1	Desembalaje de la máquina.....	24	7	Mantenimiento	28
5.2	Instalación de la varilla pulverizadora.....	24	8	Almacenamiento de la máquina.....	28
5.3	Instalación de la boquilla.....	25	9	Solución de problemas.....	28
5.4	Instalación de la batería.....	25	10	Datos técnicos.....	29
			11	Garantía limitada.....	29
			12	Vista despiezada.....	30

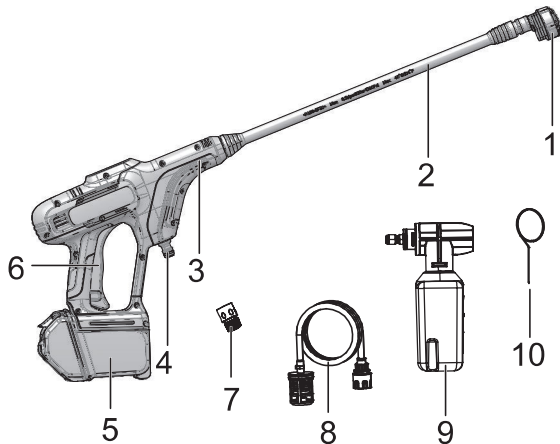
1 DESCRIPCIÓN

1.1 FINALIDAD

La máquina se utiliza para limpiar vehículos, barcos, edificios, porches, terrazas, bicicletas y mobiliario exterior.

Indicada solo para uso residencial, no apta para el uso profesional ni para el funcionamiento a temperaturas superiores a 32°F (0°C).

1.2 PERSPECTIVA GENERAL DEL PRODUCTO



- | | | | |
|---|----------------------------------|----|---|
| 1 | Boquilla de pulverización 5 en 1 | 7 | Adaptador de manguera de jardín |
| 2 | Varilla pulverizadora | 8 | Manguera con autosifonado |
| 3 | Asa delantera | 9 | Aplicador de jabón |
| 4 | Entrada de agua | 10 | Herramienta de limpieza de punta de pulverización |
| 5 | Compartimento de la batería | | |
| 6 | Gatillo | | |

1.3 LISTA DE EMBALAJE

- Máquina principal
- Depósito de detergente
- Boquilla de pulverización 5 en 1
- Conector de entrada de agua
- Varilla de pistola
- Manguera con autosifonado
- Herramienta de limpieza de punta de pulverización
- Manual del operario

2 ADVERTENCIAS GENERALES DE SEGURIDAD PARA HERRAMIENTAS ELÉCTRICAS

- Lea todas las instrucciones antes de utilizar el producto.

- Para reducir el riesgo de lesiones, es necesaria una supervisión estrecha cuando se utiliza un producto cerca de niños.
- Debe saber cómo detener el producto y purgar la presión rápidamente. Familiarícese bien con los controles.
- Manténgase alerta – observe lo que está haciendo.
- No utilice el producto cuando esté cansado o bajo la influencia de alcohol o drogas.
- Mantenga alejadas a las personas de la superficie de trabajo.
- No se estire ni se suba sobre un soporte inestable. Mantenga en todo momento una buena postura y el equilibrio.
- Siga las instrucciones de mantenimiento especificadas en el manual.
- Riesgo de inyección o lesión – NO DIRIJA EL CHORRO DE DESCARGA A LAS PERSONAS.
- Lea todas las advertencias de seguridad e instrucciones. El incumplimiento de las advertencias e instrucciones puede provocar descargas eléctricas, incendios o lesiones graves.
- Evite el arranque accidental. Asegúrese de que el interruptor esté en la posición de apagado antes de conectar a la batería y al coger o transportar el aparato. El transporte del aparato con el dedo en el interruptor o la conexión de un aparato que tiene el interruptor activado fomenta los accidentes.
- Desconecte la batería del aparato antes de realizar ajustes, cambiar accesorios o almacenarlo. Estas medidas de seguridad preventivas reducen el riesgo de que el aparato se ponga en marcha accidentalmente.
- Cuando la batería no esté en uso, manténgala alejada de otros objetos metálicos como clips, monedas, llaves, clavos, tornillos u otros objetos metálicos pequeños que puedan hacer una conexión entre los terminales. El cortocircuito de los terminales de la batería puede provocar quemaduras o un incendio.
- No utilice una batería o un aparato que haya sufrido daños o modificaciones. Las baterías dañadas o modificadas pueden exhibir un comportamiento impredecible que puede dar lugar a un incendio, una explosión o un riesgo de lesiones.
- No exponga una batería o un aparato al fuego ni a temperaturas excesivas. La exposición al fuego o a una temperatura superior a 265°F puede provocar una explosión.
- Siga todas las instrucciones de carga y no cargue la batería o el aparato fuera del intervalo de temperatura especificado en las instrucciones. La carga incorrecta o a temperaturas fuera del intervalo especificado puede dañar la batería y aumentar el riesgo de incendio.
- Solicite a un técnico de reparación cualificado que realice las tareas de servicio utilizando únicamente piezas de repuesto idénticas. Esto garantizará el mantenimiento de la seguridad del producto.

- No modifique ni intente reparar el aparato o la batería (según corresponda), excepto lo indicado en las instrucciones de uso y cuidado.

ES

3 NIVELES DE RIESGO

Las siguientes indicaciones y significados tienen como fin explicar los niveles de riesgo asociados a este producto.

SÍMBOLO	INDICACIÓN	SIGNIFICADO
	PELIGRO	Indica una situación de peligro inminente que, de no evitarse, provocará lesiones graves o incluso la muerte.
	ADVERTENCIA	Indica una situación de peligro potencial que, de no evitarse, podría provocar lesiones graves o incluso la muerte.
	PRECAUCIÓN	Indica una situación de peligro potencial que, de no evitarse, puede provocar lesiones leves o moderadas.
	PRECAUCIÓN	(Sin símbolo de alerta sobre seguridad) Indica una situación que puede provocar daños materiales.

4 RECICLAJE

	<p>Recogida selectiva. Este producto no debe desecharse junto con la basura doméstica. Si fuera necesario sustituir la máquina, o si ya no la necesita, no la deseche junto con la basura doméstica.</p> <p>La recogida selectiva de máquinas y embalajes utilizados permite reciclarlos y volver a utilizarlos. El uso de materiales reciclados ayuda a evitar la contaminación medioambiental y disminuye la necesidad de usar materias primas.</p>
	<p>Al final de su vida útil, deseche las baterías de forma respetuosa con el medio ambiente. La batería contiene materiales peligrosos para usted y para el medio ambiente. Deberá retirar y desechar estos materiales de forma selectiva en un centro que acepte baterías de iones de litio.</p>

5 INSTALACIÓN

5.1 DESEMBALAJE DE LA MÁQUINA

▲ AVISO

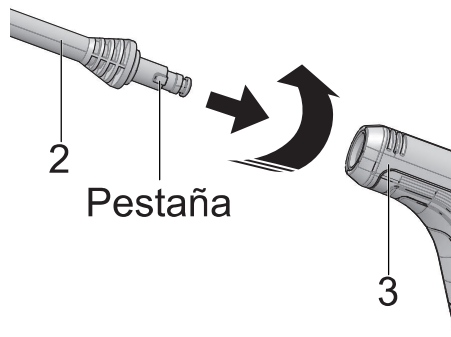
Asegúrese de montar correctamente la máquina antes del uso.

▲ AVISO

- Si las piezas de la máquina presentan daños, no utilice la máquina.
- Si no tiene todas las piezas, no utilice la máquina.
- Si faltan piezas o hay piezas dañadas, contacte con el centro de servicio.

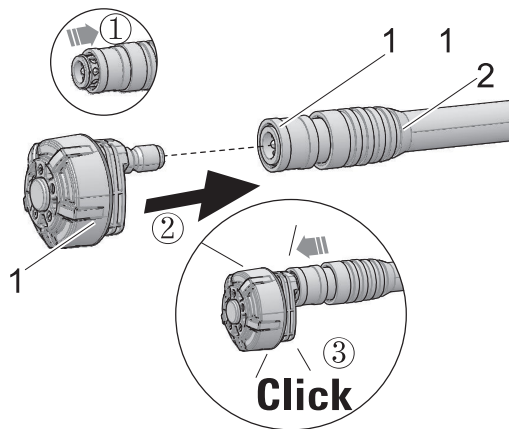
- Abra el embalaje.
- Lea la documentación que se proporciona en la caja.
- Retire todas las piezas sin montar de la caja.
- Retire la máquina de la caja.
- Deseche la caja y el material de embalaje de conformidad con los reglamentos locales.

5.2 INSTALACIÓN DE LA VARILLA PULVERIZADORA



- Introduzca el extremo de la varilla pulverizadora (2) en la empuñadura de la pistola (1).
- Gire la varilla pulverizadora (2) en sentido antihorario hasta que las pestañas se bloqueen en su posición.

5.3 INSTALACIÓN DE LA BOQUILLA



▲ AVISO

Antes de cambiar la boquilla:

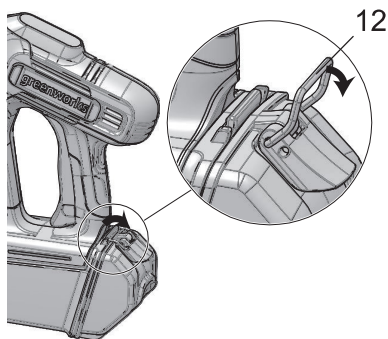
1. Apriete el gatillo de la pistola pulverizadora para liberar la presión de agua.
2. Bloquee el botón de seguridad del gatillo en la pistola.
3. Pare la máquina.

▲ AVISO

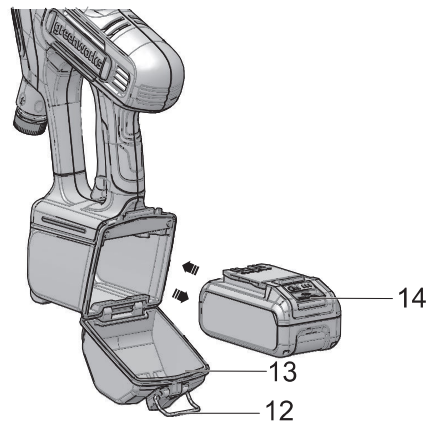
No apunte la varilla pulverizadora (2) hacia su propia cara o la de otras personas.

1. Tire hacia atrás del collarín de conexión rápida (11) de la varilla pulverizadora (2).
2. Instale la boquilla (1) en la varilla pulverizadora (2).
3. Suelte el collarín de conexión rápida para fijar la boquilla (1).

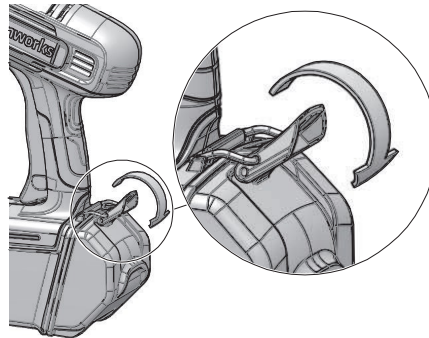
5.4 INSTALACIÓN DE LA BATERÍA



1. Tire hacia atrás de la palanca de bloqueo de la bisagra (12).
2. Desenganche la bisagra (12) de la puerta de la batería (13).



3. Abra la puerta de la batería (13).
4. Alinee las nervaduras de elevación de la batería con las ranuras del compartimento de la batería.
5. Introduzca la batería en el compartimento de la batería hasta que encaje en su posición.
6. Cuando escuche un clic, la batería está instalada.
7. Cierre la puerta de la batería (13) y bloquee la bisagra (12).

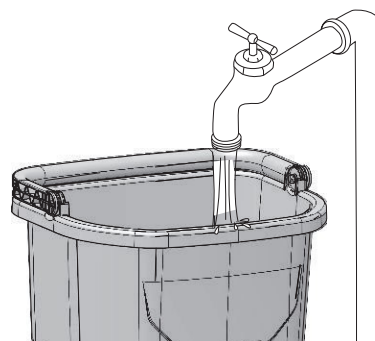


5.5 RETIRADA DE LA BATERÍA

1. Pulse y mantenga pulsado el botón de desbloqueo de la batería (14).
2. Retire la batería de la máquina.

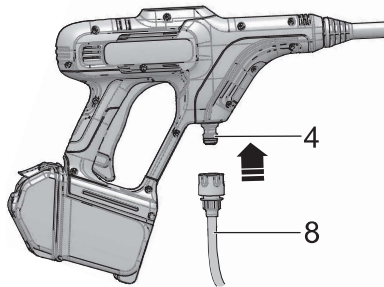
5.6 USO DE LA MANGUERA CON AUTOSIFONADO

1. Añada agua al cubo.

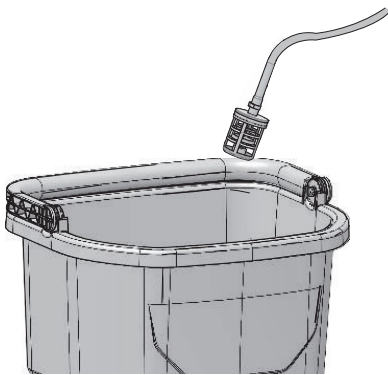


ES

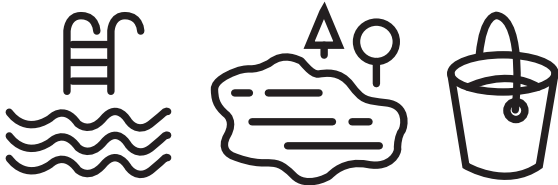
2. Inserte un extremo de la manguera con autosifonado (8) en el acoplamiento de entrada de agua (4).



3. Coloque el otro extremo de la manguera con autosifonado en el cubo (no incluido).



NOTA: El kit de sifón también puede utilizarse en cualquier fuente de agua dulce: piscina, estanque, lago o río.



5.7 USO LA MANGUERA DE JARDÍN

Para un fácil funcionamiento, utilice una manguera de jardín autoenrollable (no incluida).

▲ AVISO

Cuando utilice la manguera autoenrollable, asegúrese de que esta no tenga obstrucciones.

▲ AVISO

- El suministro de agua debe provenir de la red de abastecimiento de agua
- No utilice agua caliente

▲ AVISO

Siga los reglamentos locales cuando conecte la manguera de jardín al suministro de agua. Normalmente se permite la conexión directa a través de un depósito receptor o un dispositivo de prevención de reflujo.

▲ PRECAUCIÓN

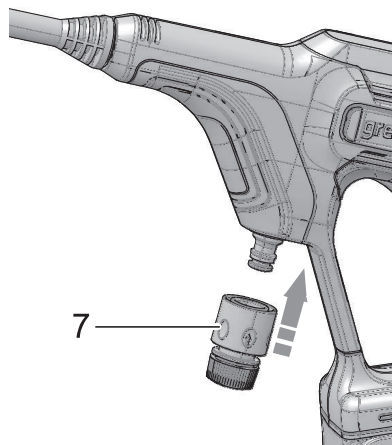
Inspeccione el filtro en el conector de entrada de agua antes de conectar la manguera de jardín

- Si el filtro está dañado, no utilice la máquina hasta que sustituya el filtro.
- Limpie el filtro si está sucio.

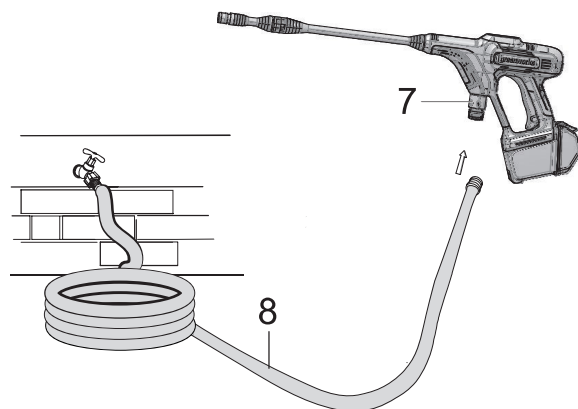
i NOTA

El adaptador para manguera de jardín se utiliza para conectar la manguera de jardín (no suministrada) a su máquina.

1. Introduzca el adaptador de manguera de jardín (7) en el acoplamiento de entrada de agua hasta que quede apretado.



2. Desenrolle la manguera de jardín.
3. Instale y apriete el extremo de la manguera de jardín en el conector de entrada de agua.
4. Desconecte el suministro de agua.



6 FUNCIONAMIENTO

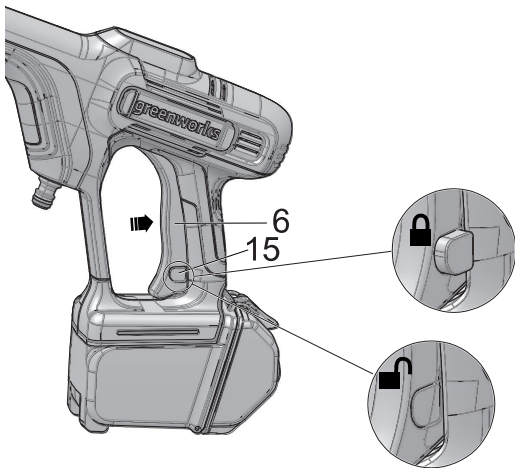
▲ AVISO

Asegúrese de que todas las conexiones estén apretadas y no tengan fugas antes del funcionamiento.

6.1 USO DEL LIMPIADOR

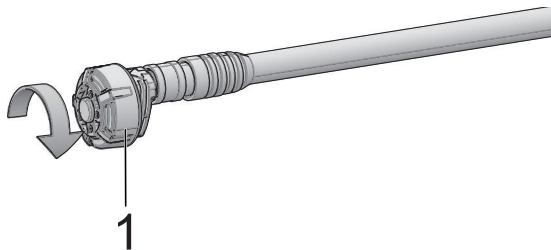
¡ NOTA

Para un control seguro, mantenga las manos en el limpiador en todo momento.



1. Introduzca el botón de desbloqueo (15) en la ranura, presione el gatillo y manténgalo presionado (6) para poner en marcha la máquina.
2. Suelte el gatillo (6) para detener el flujo de agua por la boquilla de pulverización.
3. Empuje hacia fuera el botón de desbloqueo para bloquear el gatillo.

6.2 AJUSTE DE LA BOQUILLA DE PULVERIZACIÓN



▲ AVISO

Antes de ajustar la boquilla de pulverización:

- Apriete el gatillo de la pistola pulverizadora para liberar la presión de agua.
- Detenga la máquina.

▲ AVISO

No apunte la varilla pulverizadora hacia su propia cara o la de otras personas.

1. Gire la boquilla de pulverización para ajustar el patrón de pulverización (1).

6.3 BOQUILLA 5 EN 1

Modo	APLICACIÓN
 0°	Modo de chorro (0°) <ul style="list-style-type: none"> El modo de 0 grados proporciona una línea recta de pulverización. Proporciona la mayor cantidad de presión. Es mejor utilizarla para eliminar mugre o suciedad dura o adherida.
 15°	Modo de abanico estrecho (15°) <ul style="list-style-type: none"> Este modo ofrece una gran versatilidad con un ángulo de 15 grados. Proporciona la presión adecuada para eliminar la suciedad de las superficies, pero se ha diseñado para no dañar numerosas superficies. Este modo se ha diseñado para "barrer" el follaje o los residuos dado su amplio ángulo. Este modo es versátil gracias a su amplia zona de limpieza y aplicación de fuerte presión.
 25°	Modo de abanico estrecho (25°) <ul style="list-style-type: none"> Este modo ofrece una gran versatilidad con un ángulo de 25 grados. Proporciona la presión adecuada para eliminar la suciedad de las superficies, pero se ha diseñado para no dañar numerosas superficies. Este modo se ha diseñado para "barrer" el follaje o los residuos dado su amplio ángulo. Este modo es versátil gracias a su amplia zona de limpieza y aplicación de fuerte presión.
 40°	Modo de abanico ancho (40°) <ul style="list-style-type: none"> La punta blanca de 40 grados, denominada punta "en abanico", genera la zona más amplia de limpieza con una presión relativamente baja. Este modo es idóneo para aplicaciones de limpieza ligera o delicada. Se recomienda para la limpieza ligera en cubiertas de madera y otras superficies suaves o delicadas.
 	Modo de riego <ul style="list-style-type: none"> El modo se utiliza para la aplicación de riego. El riego se aplica con alto volumen y baja presión para un rendimiento óptimo. No se puede aplicar riego a alta presión con esta máquina.

ES

6.4 INSTALACIÓN DEL APLICADOR DE JABÓN

ES

▲ AVISO

No utilice detergentes domésticos, ácidos, alcalinos, lejías, disolventes, materiales inflamables o soluciones para uso industrial que puedan dañar la bomba.

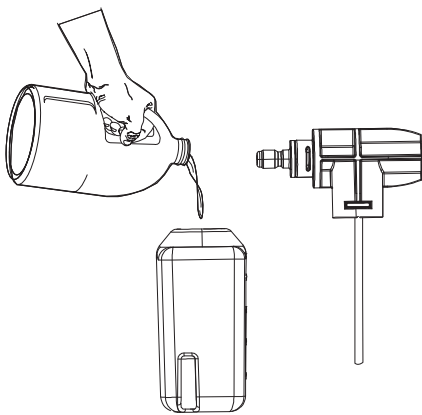
▲ AVISO

Siga las instrucciones de la botella de solución para preparar el detergente.

i NOTA

En caso necesario, utilice un embudo para evitar el derrame de detergente. Limpie y seque el detergente derramado durante el llenado.

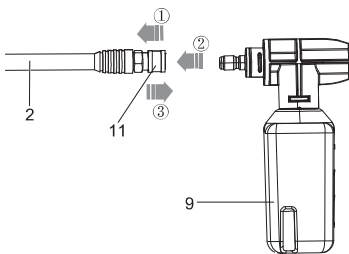
1. Vierta el detergente en el aplicador de jabón.



2. Instale el aplicador de jabón en la varilla de la pistola.
3. Gire la pistola en sentido horario para apretar.

i NOTA

No deje que el detergente se seque sobre la superficie para evitar trazas.



7 MANTENIMIENTO

▲ AVISO

Antes de realizar reparaciones y mantenimiento, retire la batería de la máquina.

- Antes de cada uso, compruebe que la máquina y las piezas no estén dañadas. Si encuentra algún daño en la máquina o en las piezas, deje de utilizar la máquina y póngase en contacto con el proveedor o el fabricante para sustituir las piezas.
- Retire en primer lugar la cubierta del filtro. A continuación, elimine la suciedad del filtro, aclare las piezas con agua limpia y, por último, vuelva a colocar la cubierta.

8 ALMACENAMIENTO DE LA MÁQUINA

- Limpie el cuerpo con un cepillo suave o un paño limpio. No utilice agua, disolventes ni agentes pulidores. Almacene la máquina en un lugar seco y seguro, lejos del alcance de los niños. No coloque otros objetos encima de la máquina.
- Cuando almacene la máquina y los accesorios, tenga cuidado de evitar la congelación.

9 SOLUCIÓN DE PROBLEMAS

PROBLEMA	POSIBLE CAUSA	SOLUCIÓN
La máquina está en marcha, la presión es insuficiente.	El filtro del tubo de agua está obstruido	Retire el filtro del tubo de agua y limpie los residuos con agua
	Mala conexión entre el tubo de agua del equipo y la máquina	Compruebe y vuelva a instalar el tubo de agua
	La bomba, el tubo de agua u otros accesorios están congelados	Utilice tras descongelar
	La manguera de sifón está doblada	Enderece la manguera de sifón
La boquilla multifunción tiene fugas	El modo de pulverización de la boquilla no gira en su posición	Asegúrese de que el icono del modo de boquilla y la línea indicadora están alineados
	El clavo de fijación de la boquilla está suelto	Apriete la boquilla
La presión de salida aumenta repentinamente	La boquilla multifunción está obstruida	Limpie la boquilla o utilice una nueva boquilla
Sale agua después de apagar la máquina	El agua permanece en la bomba después de apagar la máquina	Drene toda el agua antes del almacenamiento

PROBLEMA	POSIBLE CAUSA	SOLUCIÓN
El depósito de detergente no puede pulverizar detergente	El depósito de detergente está obstruido	Lave con agua
La máquina no funciona	La batería no se ha instalado correctamente	Vuelva a instalar la batería empujándola firmemente en su posición.
	La batería se ha agotado	Sustituya la batería por una nueva o cárguela
	La batería está defectuosa	Sustitución de la batería
La presión de la máquina no es continua	La bomba ha aspirado aire	Compruebe si la interfaz del tubo de agua y el tubo de agua de la máquina están bien conectados
	La máquina está demasiado alta con respecto a la fuente de agua.	Reduzca la altura de la máquina a menos de 1,5 m de la fuente de agua.
La máquina se detiene automáticamente	La batería se ha agotado	Sustituya la batería por una nueva o cárguela
	La boquilla multifunción está obstruida y la protección de corriente está activada	Retire la boquilla y actívela; si la máquina funciona normalmente, limpie la boquilla o sustituya por una boquilla nueva

10 DATOS TÉCNICOS

Tensión nominal	24V; Inalámbrico, con funcionamiento a batería
Máx. presión libras por pulgada al cuadrado	600 PSI
Galones máx. por minuto	0.8 GPM
Temperatura máxima de agua de entrada	104 °F (40 °C)
Unidades de limpieza	480 C.U.
Peso (sin batería)	5.63 lbs. (2.56 kg)

Modo de batería	BAG701/BAG702/ BAG708/BAG709/ BAG710/BAG711/ BAG714/ BAG715/29842/2902702 y otras series BAG
Modo de carga	29972/2903102/CAG801/ CAG817/CAG812 y otras series CAG

ES

11 GARANTÍA LIMITADA



Por la presente Greenworks garantiza este producto, al comprador original con el comprobante de compra, durante un periodo de tres (3) años frente a defectos en materiales, piezas o mano de obra. A su entera discreción Greenworks reparará o sustituirá cualquiera y todas las piezas que resulten ser defectuosas, con un uso normal, sin coste alguno para el cliente. Esta garantía es válida únicamente para unidades que se hayan utilizado para uso personal que no han sido compradas o alquiladas para uso industrial/comercial y cuyo mantenimiento se ha realizado de acuerdo con las instrucciones del manual del propietario suministrado con el producto nuevo.

ARTÍCULOS NO CUBIERTOS POR LA GARANTÍA:

1. Cualquier pieza que no funcione debido a mal uso, uso comercial, abuso, negligencia, accidente, mantenimiento inadecuado o alteración; o
2. La unidad, si no ha sido utilizada o mantenida de acuerdo con el manual del propietario; o
3. Desgaste normal;
4. Artículos de mantenimiento de rutina tales como lubricantes, afilado de cuchillas;
5. Deterioro normal del acabado exterior debido al uso o la exposición.

LÍNEA DE ASISTENCIA TELEFÓNICA:

Puede contactar con el servicio de garantía llamando a nuestra línea de asistencia telefónica gratuita a 1-888-909-6757.

COSTES DE TRANSPORTE:

Los costes de transporte por el desplazamiento de cualquier unidad o accesorio de equipos eléctricos son responsabilidad del comprador. Es responsabilidad del comprador pagar los

costes de transporte de cualquier pieza enviada para su sustitución bajo esta garantía, a menos que dicha devolución sea solicitada por escrito por Greenworks.

ES

Dirección en EE.UU.:

Greenworks Tools
P.O. Box 1238

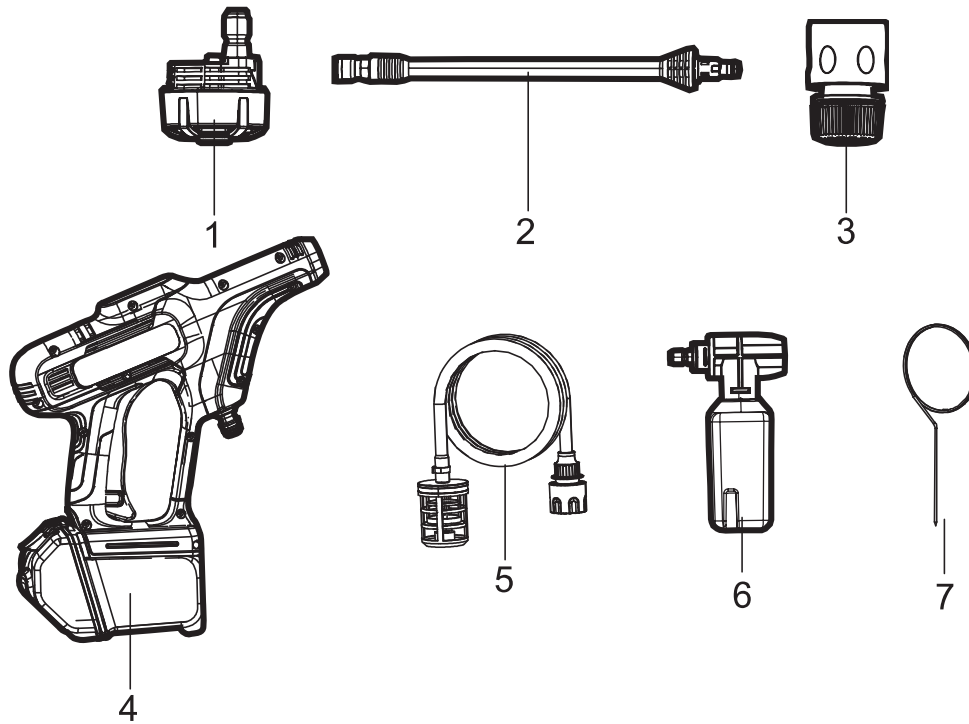
Mooresville, NC 28115

Dirección en Canadá:

Greenworks Tools Canada, Inc.
P.O. Box 93095, Newmarket,
Ontario

L3Y 8K3

12 VISTA DESPIEZADA



N.º	N.º pieza	Descripción	Cant.
1	C1107178-00	Boquilla de pulverización 5 en 1	1
2	C1107024-00	Conjunto de varilla pulverizadora	1
3	C1100521-00	Conj. conector de entrada de agua	1
4	C1107642-00	Conj. limpiador	1
5	C1104825-00	Conj. manguera con autosifonado	1
6	C1104657-00	Depósito de detergente	1
7	33201671	Herramienta de limpieza de punta de pulverización	1

