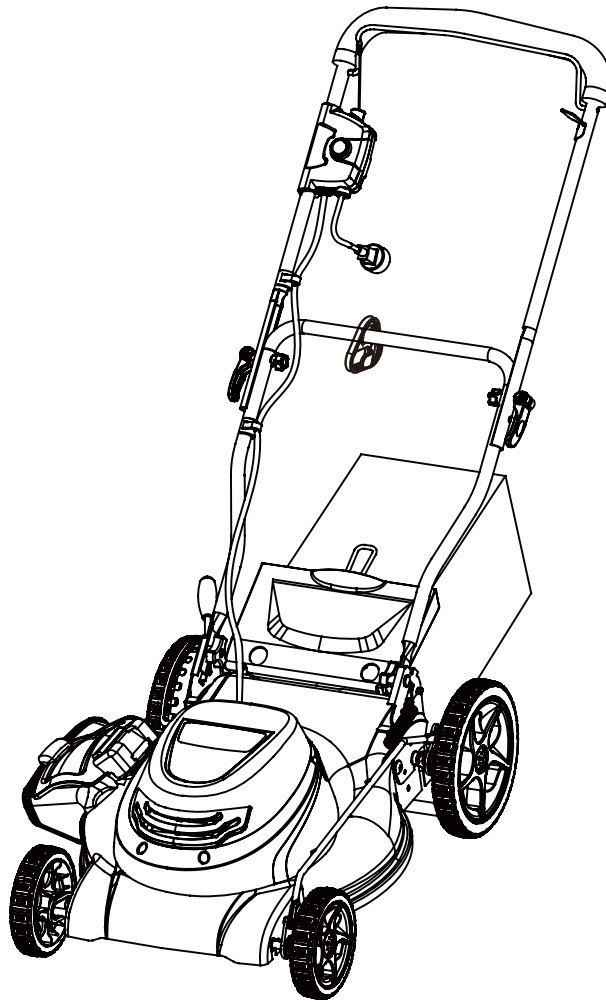

greenworks

20" Electric Lawn Mower

25022



Owner's Manual

TOLL-FREE HELPLINE: 1-888-90WORKS (888-909-6757)

www.GreenWorksTools.com

 Read all safety rules and instructions carefully before operating this tool.

CONTENTS

Contents	2
Product specifications.....	2
Safety information.....	3-6
Symbols	7-8
Electrical.....	9-10
Know your lawn mower	11
Assembly	12-17
Operation.....	18-22
Maintenance	23-24
Storage	25
Troubleshooting	26
Warranty	27
Exploded View.....	28
Parts List.....	29-31

PRODUCT SPECIFICATIONS

20" ELECTRIC LAWN MOWER

Motor	120 V AC, 60 Hz, 12 A
No-load speed	3600 RPM
Cutting path	20" (50.8 cm)
Height adjustments.....	1 1/2—3 3/4" (3.8 cm-9.5 cm)
Functions.....	3-in-1: Mulch, side discharge or rear bag
Weight	56 lbs (25.4 kg)



SAFETY INFORMATION

IMPORTANT SAFETY INSTRUCTIONS

IMPORTANT

READ AND UNDERSTAND ALL INSTRUCTIONS. Failure to follow all instructions listed below may result in electric shock, fire, and/or serious personal injury.

- This cutting machine is capable of amputating hands and feet and throwing objects. Failure to observe all safety instructions could result in serious injury or death.
- Do not use the lawn mower in damp or wet conditions or operate in the rain.
- Never allow adults to operate the product without proper instruction.
- Keep the area clear of all bystanders, children, and pets while mowing. Stop machine if anyone enters the area.
- Tragic accidents can occur if the operator is not alert to the presence of children. Children are often attracted to the machine and the mowing activity. Never assume that children will remain where you last saw them.
 - Keep children out of the mowing area and under the watchful care of a responsible adult other than the operator.
 - Be alert and turn mower off if a child enters the area.
 - Never allow children to operate the machine.
 - Use extra care when approaching blind corners, shrubs, trees, or other objects that may block your view of a child.
- Do not wear loose clothing or jewelry. They can be caught in moving parts. Use of rubber gloves and footwear is recommended when working outdoors.
- Keep firm footing and balance. Do not overreach. Overreaching can result in loss of balance.
- Do not operate the equipment while barefoot or when wearing sandals or similar lightweight footwear. Wear protective footwear that will protect your feet and improve your footing on slippery surfaces.
- Do not leave the mower unattended while running.
- Keep hands and feet away from cutting area. Keep clear of the discharge opening at all times.
- Operate the lawn mower only in daylight or good artificial light.
- Always wear safety glasses with side shields. Everyday glasses have only impact resistant lenses. They are NOT safety glasses. Following this rule will reduce the risk of eye injury. Use face mask if operation is dusty.
- Wear safety glasses or goggles that are marked to comply with ANSI Z87.1 standard when operating this product.
- Use the right appliance. Do not use the lawn mower for any job except that for which it is intended.
- Do not force the lawn mower. It will do the job better and safer at the rate for which it was designed.
- Stay alert, watch what you are doing, and use common sense when operating the lawn mower. Do not operate the mower while tired or under the influence of drugs, alcohol, or

SAFETY INFORMATION

medication. A moment of inattention while operating the lawn mower may result in serious personal injury.

- Keep machine in good working condition. Keep blades sharp and guards in place and in working order.
- Check all nuts, bolts, and screws at frequent intervals for proper tightness to be sure the equipment is in safe working condition.
- Stop the motor and wait until the blade comes to a complete stop before cleaning the lawn mower, removing the grass catcher, or unclogging the discharge guard.
- When not in use, mower should be stored indoors in a dry, locked up place—out of the reach of children.
- To reduce the risk of electric shock, this product has a polarized plug (one blade is wider than the other) and will require the use of a polarized extension cord. The plug will fit into a polarized extension cord only one way. If the plug does not fit fully into the extension cord, reverse the plug. If the plug still does not fit, obtain a correct polarized extension cord. A polarized extension cord will require the use of a polarized wall outlet. This plug will fit into the polarized wall outlet only one way. If the plug does not fit fully into the wall outlet, reverse the plug. If the plug still does not fit, contact a qualified electrician to install the proper wall outlet. Do not change the equipment plug, extension cord receptacle, or extension cord plug in any way.
- Do not abuse the cord. Never use the cord to pull the lawn mower or to disconnect the plug from an outlet. Keep cord away from heat, oil, sharp edges, or moving parts. Replace damaged cords immediately. Damaged cords increase the risk of electric shock.
- Make sure your extension cord is in good condition. When using an extension cord, be sure to use one heavy enough to carry the current your product will draw. A wire gauge size (A.W.G.) of at least 14 is recommended for an extension cord 50 feet or less in length. If in doubt, use the next heavier gauge. The smaller the gauge number, the heavier the cord. An undersized cord will cause a drop in line voltage resulting in loss of power and overheating.
- **WARNING:** Use outdoor extension cords marked SW-A, SOW-A, STW-A, STOW-A, SJW-A, SJTW-A, or SJTOWA. These cords are rated for outdoor use and reduce the risk of electric shock.

GENERAL SAFETY RULES

- Ground Fault Circuit Interrupter (GFCI) protection should be provided on the circuit(s) or outlet(s) to be used for the lawn mower. Receptacles are available having builtin GFCI protection and may be used for this measure of safety.
- Inspect extension cords periodically and replace if damaged. Keep handles dry, clean, and free from oil or grease.

SPECIFIC SAFETY RULES

- Do not operate the mower without the entire grass catcher, discharge guard, rear guard, or other safety protective devices in place and working.
- Follow manufacturer's instructions for proper operation and installation of accessories. Only use accessories approved by the manufacturer.
- Clear the work area before each use. Remove all objects such as rocks, sticks, wire, bones, toys, or other objects which can be thrown by the blade. Stay behind the handle when the

SAFETY INFORMATION

motor is running.

- Avoid holes, ruts, bumps, rocks, or other hidden objects. Uneven terrain could cause a slip and fall accident.
- Do not mow near drop-offs, ditches, or embankments.
- Mow across the face of slopes, never up and down. Exercise extreme caution when changing direction on slopes.
- Plan your mowing pattern to avoid discharge of material toward roads, sidewalks, bystanders, and the like. Also, avoid discharging material against a wall or obstruction, which may cause the material to ricochet back toward the operator.
- Do not mow on wet grass or excessively steep slopes. Poor footing could cause a slip and fall accident. Walk, never run.
- Use extra care when approaching blind corners, shrubs, trees, or other objects that may block your view.
- Do not pull the mower backward unless absolutely necessary. If you must back the mower away from a wall or obstruction, first look down and behind to avoid tripping.
- Never direct discharged material toward anyone. Avoid discharging material against a wall or obstruction. Material may ricochet back toward the operator. Stop the blade when crossing gravel surfaces.
- Objects struck by the lawn mower blade can cause severe injuries to persons. The lawn should always be carefully examined and cleared of all objects prior to each mowing.
- If the lawn mower strikes a foreign object, follow these steps:
 - Stop the lawn mower and release the switch control lever.
 - Disconnect the power cord.
 - Thoroughly inspect the mower for any damage.
 - Repair any damage before restarting and continuing to operate the mower.
- Stop the motor, disconnect the power cord, and wait until the blade comes to a complete stop before removing the grass catcher or unclogging the chute. The cutting blade continues to rotate for a few seconds after the motor is shut off. Never place any part of the body in the blade area until you are sure the blade has stopped rotating.
- Disconnect the plug from power source before making any adjustments, changing accessories, or storing the lawn mower. Such preventive safety measures reduce the risk of starting the product accidentally.
- If the mower should start to vibrate abnormally, stop the motor and check immediately for the cause. Vibration is generally a warning of trouble.
- Service on the product must be performed by qualified repair personnel only. Service or maintenance performed by unqualified personnel could result in injury to the user or damage to the product.
- Use only identical replacement parts when servicing the product. Use of unauthorized parts may create a risk of serious injury to the user, or damage to the product.
- If the power supply cord is damaged, it must be replaced only by the manufacturer or by an

SAFETY INFORMATION

authorized service center to avoid risk.

- Save these instructions. Refer to them frequently and use them to instruct others who may use this product. If you loan someone this tool, loan them these instructions also.

⚠ WARNING (PROPOSITION 65)

Some dust created by power sanding, sawing, grinding, drilling and other construction activities contains chemicals known to the state of California to cause cancer, birth defects or other reproductive harm. Some examples of these chemicals are:

- Lead from lead-based paints,
- Crystalline silica from bricks and cement and other masonry products, and
- Arsenic and chromium from chemically-treated lumber.

Your risk from these exposures varies, depending on how often you do this type of work. To reduce your exposure to these chemical: work in a well ventilated area, and work with approved safety equipment, such as those dust masks that are specially designed to filter out microscopic particles.









The protector (it's a device that is calibrated to open the motor circuit upon reaching a certain temperature/current but requires both cool down below the calibration point and removal of power for resetting of the protector) in the mower helps to stop the mower if blade is stuck or overload occurs.

When the protection happens, the operator should release the bail switch and pull the plug immediately, then restart the mower after at least 5 minutes.

SAVE THESE INSTRUCTIONS




SYMBOLS

Some of the following symbols may be used on this product. Please study them and learn their meaning. Proper interpretation of these symbols will allow you to operate the product better and safer.

SYMBOL	NAME	DESIGNATION/EXPLANATION
V	Volts	Voltage
A	Amperes	Current
Hz	Hertz	Frequency (cycles per second)
W	Watts	Power
min	Minutes	Time
~	Alternating Current	Type of current
≡	Direct Current	Type or a characteristic of current
n_0	No Load Speed	Rational speed, at no load
	Class II Construction	Double-insulated construction
/min	Per Minute	Revolutions, strokes, surface speed, orbits etc., per minute
	Wet Conditions Alert	Do not expose to rain or use in damp locations
	Read The Operator's Manual	To reduce the risk of injury user must read and understand operator's manual before using this product.
	Eye and Head Protection	Wear eye and head protection when operating this equipment.
	Keep Hands and Feet Away	Keep hands and feet away from blade and cutting area.
	No Reach	Do not reach hands or feet under mower deck.
	No Slope	Do not operate on inclines greater than 15°. Mow across the face of slopes, never up and down.
	Keep Bystanders Away	Keep all bystanders at least 50 ft. away.

SYMBOLS

The following signal words and meanings are intended to explain the levels of risk associated with this product.

SYMBOL	SIGNAL	MEANING
	DANGER	Indicates an imminently hazardous situation, which, if not avoided, will result in death or serious injury.
	WARNING	Indicates a potentially hazardous situation, which, if not avoided, could result in death or serious injury.
	CAUTION	Indicates a potentially hazardous situation, which, if not avoided, may result in minor or moderate injury.
	CAUTION	(Without Safety Alert Symbol) Indicates a situation that may result in property damage.

SERVICE

Servicing requires extreme care and knowledge and should be performed only by a qualified service technician. For service we suggest you return the product to your nearest **AUTHORIZED SERVICE CENTER** for repair. When servicing, use only identical replacement parts.

W A R N I N G

To avoid serious personal injury, do not attempt to use this product until you have read this Owner's Manual thoroughly and understand it completely. If you do not understand the warnings and instructions in this Owner's Manual, do not use this product. Call the Toll-free Helpline (1-888-909-6757) for assistance.

W A R N I N G



The operation of any power tool can result in foreign objects being thrown into your eyes, which can result in severe eye damage. Before beginning power tool operation, always wear safety goggles or safety glasses with side shields and, when needed, a full face shield. We recommend Wide Vision Safety Mask for use over eyeglasses or standard safety glasses with side shields. Always use eye protection which is marked to comply with ANSI Z87.1.

SAVE THESE INSTRUCTIONS

ELECTRICAL

DOUBLE INSULATION (See Figure 1.)

Double insulation is a concept in safety in electric power tools, which eliminates the need for the usual threewire grounded power cord. All exposed metal parts are isolated from the internal metal motor components with protecting insulation. Double insulated tools do not need to be grounded.

⚠ WARNING

The double insulated system is intended to protect the user from shock resulting from a break in the tool's internal insulation. Observe all normal safety precautions to avoid electrical shock.

NOTE: Servicing of a product with double insulation requires extreme care and knowledge of the system and should be performed only by a qualified service technician. For service, we suggest you return the product to your nearest authorized service center for repair. Always use original factory replacement parts when servicing.

ELECTRICAL CONNECTION

This product has a precision-built electric motor. It should be connected to a power supply that is 120 volts, 60 Hz, AC only (normal household current). Do not operate this product on direct current (DC). A substantial voltage drop will cause a loss of power and the motor will overheat. If the product does not operate when plugged into an outlet, double-check the power supply.

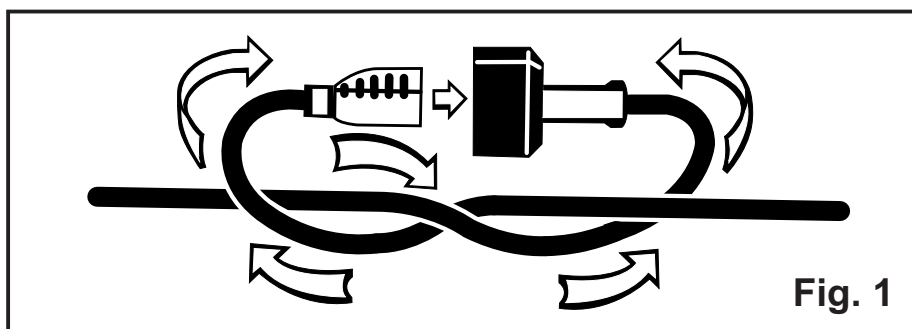
EXTENSION CORDS

When using a power tool at a considerable distance from a power source, be sure to use an extension cord that has the capacity to handle the current the product will draw. An undersized cord will cause a drop in line voltage, resulting in overheating and loss of power. Use the chart to determine the minimum wire size required in an extension cord. Only round jacketed cords listed by Underwriter's Laboratories (UL) should be used.

When working outdoors with a product, use an extension cord that is designed for outside use. This type of cord is designated with "WA" on the cord's jacket.

Before using any extension cord, inspect it for loose or exposed wires and cut or worn insulation.

It is possible to tie the extension cord and power cord in a knot to prevent them from becoming disconnected during use. Make the knot as shown in figure 1, then connect the plug end of the power cord into the receptacle end of the extension cord. This method can also be used to tie two extension cords together.



ELECTRICAL

MINIMUM GAUGE FOR EXTENSION CORDS (AWG) (WHEN USING 120 V ONLY)

Amp Rating		Total Length of Cord in Feet (meters)			
More Than	Not More Than	25' (7.6 m)	50' (15 m)	100' (30.4 m)	150' (45.7 m)
0	6	18	16	16	14
6	10	18	16	14	12
10	12	16	16	14	12
12	16	14	12	Not Recommended	

W A R N I N G

Keep the extension cord clear of the working area. Position the cord so that it will not get caught on lumber, tools, or other obstructions while you are working with a power tool. Failure to do so can result in serious personal injury.

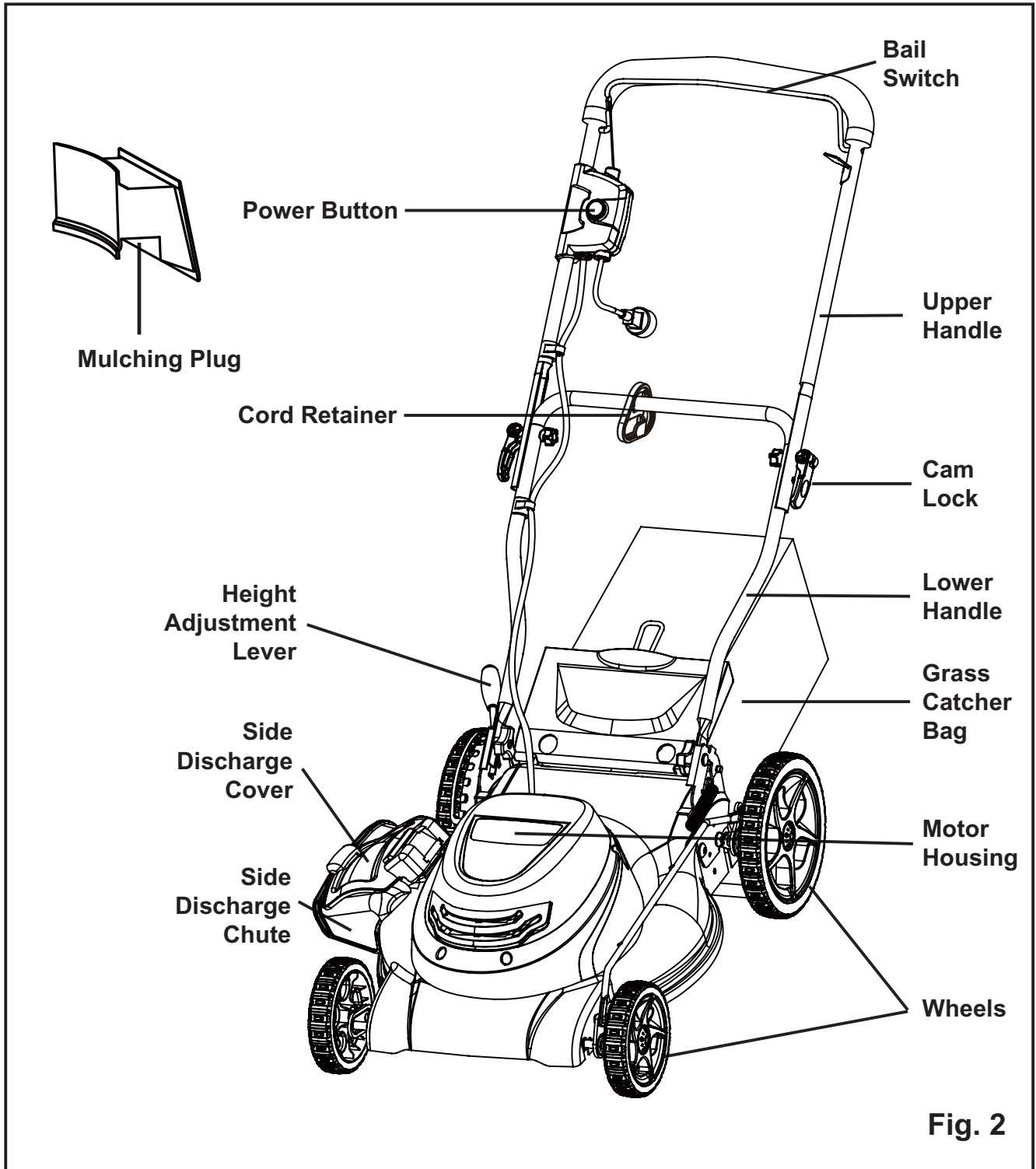
W A R N I N G

Check extension cords before each use. If damaged replace immediately. Never use the product with a damaged cord since touching the damaged area could cause electrical shock resulting in serious injury.

SAVE THESE INSTRUCTIONS

KNOW YOUR LAWN MOWER

Read this operator's manual and safety rules before operating your lawn mower. Compare the illustration in Figure 2 to your lawn mower in order to familiarize yourself with the location of various controls and adjustments. Save this manual for future reference.



ASSEMBLY INSTRUCTIONS

UNPACKING

- Carefully remove the product and any accessories from the box. Make sure that all items listed in the packing list are included.
- Inspect the product carefully to make sure no breakage or damage occurred during shipping.
- Do not discard the packing material until you have carefully inspected and satisfactorily operated the product.
- If any parts are damaged or missing, please call 1-888-909-6757 for assistance.

PACKING LIST

- Lawn mower
- Mulching plug
- Side discharge chute
- Grass catcher bag
- Owner's Manual

WARNING

If any parts are damaged or missing do not operate this product until the parts are replaced. Using a product with damaged or missing parts could result in serious personal injury.

WARNING

Do not attempt to modify this product or create accessories not recommended for use with this product. Any such alteration or modification is misuse and could result in a hazardous condition leading to possible serious personal injury.

WARNING

Do not connect from supply circuit until assembly is complete and you are ready to mow. Failure to comply could result in accidental starting and possible serious personal injury.

WARNING

To prevent accidental starting that could cause serious personal injury, always disconnect from supply circuit when assembling parts.

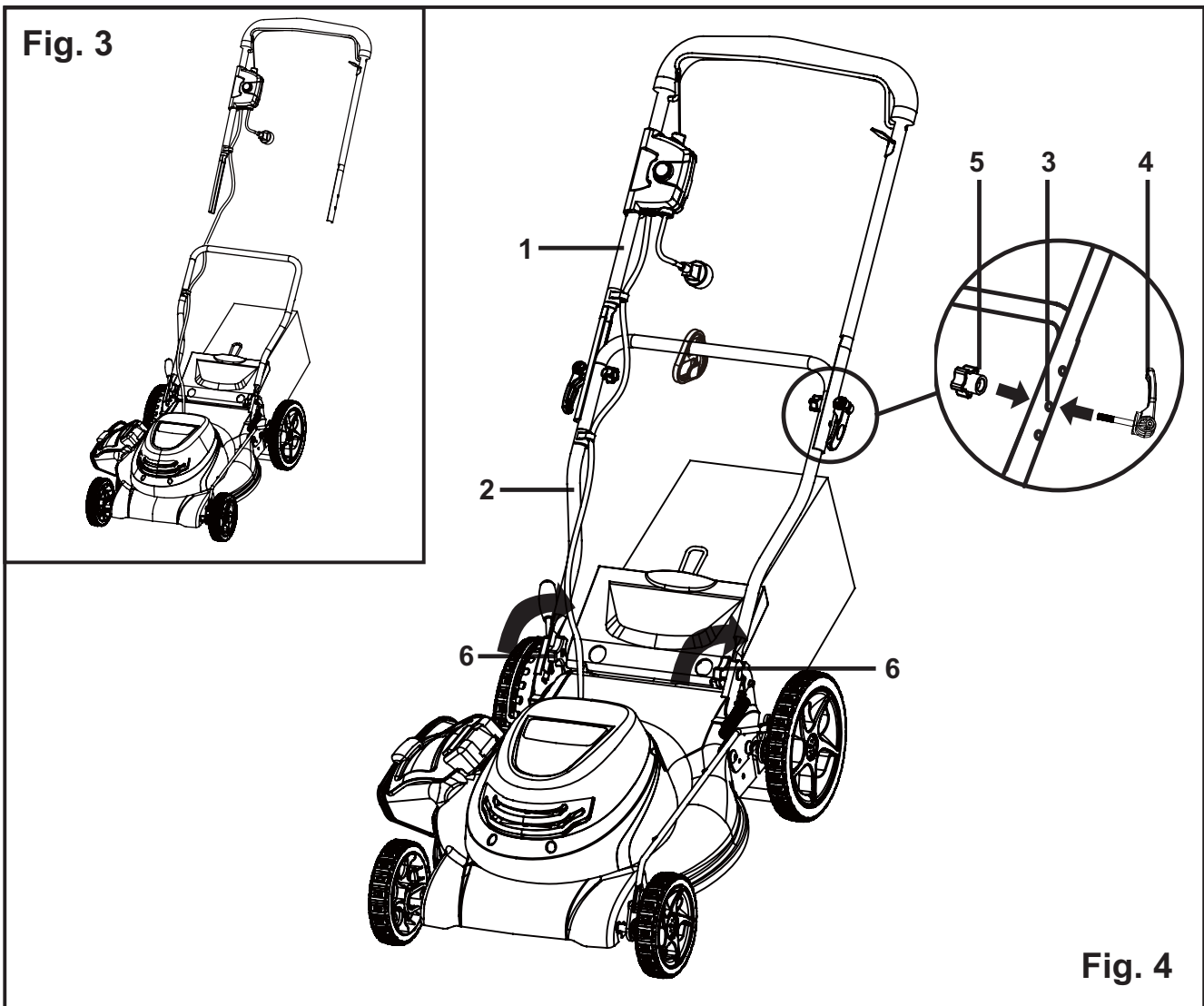
WARNING

Never operate the mower without the proper safety devices in place and working. Never operate the mower with damaged safety devices. Operation of this product with damaged or missing parts could result in serious personal injury.

ASSEMBLY INSTRUCTIONS

ASSEMBLING THE HANDLE (See Figure 3.-4.)

- Remove any packing material which may be between the upper and lower handles for shipping purposes.
- Pull up and back on the upper handle to raise the handle into the operating position. Make certain the lower handle is seated securely into the handle mounting bracket (see Fig. 3).
- Align the holes (3) between the upper handle (1) and lower (2) handles. Insert the cam locks (4) and tighten them with the wing nuts (5) provided.
- Secure the lower handle to the bracket with the knob (6) in each side (see Fig. 4).



ASSEMBLY INSTRUCTIONS

USING THE CORD RETAINER (See Figure 5.-7.)

This lawn mower is equipped with a cord retainer in order to prevent the extension cord from disconnecting from the power cord while the mower is in use. The cord retainer hangs from the cord guide bar.

NOTE: Do not plug the extension cord into the outlet until it has been connected to the cord retainer and plugged into the mower.

To use the cord retainer:

- Fold the extension cord in order to forming a tight loop near the retainer.
- Push the loop through the bottom hole in the retainer (See Figure 5).
- Slide the loop over the retaining clip, and pull down until the cord is secured (See Figure 6).

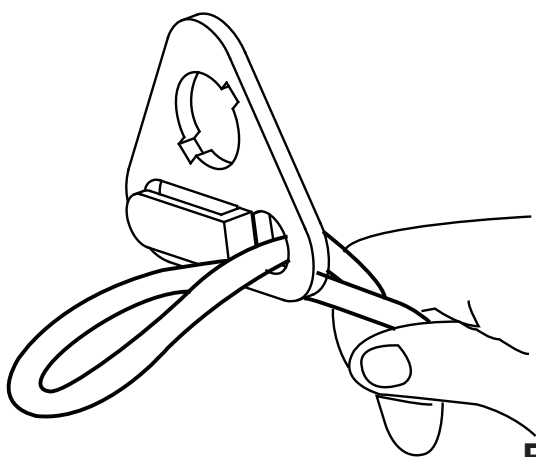


Fig. 5

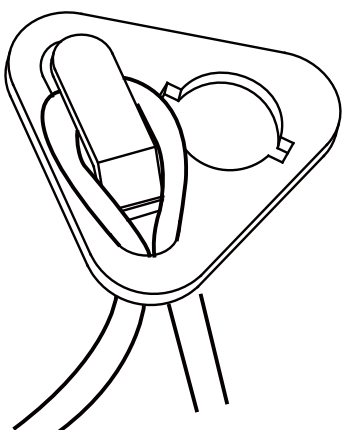


Fig. 6

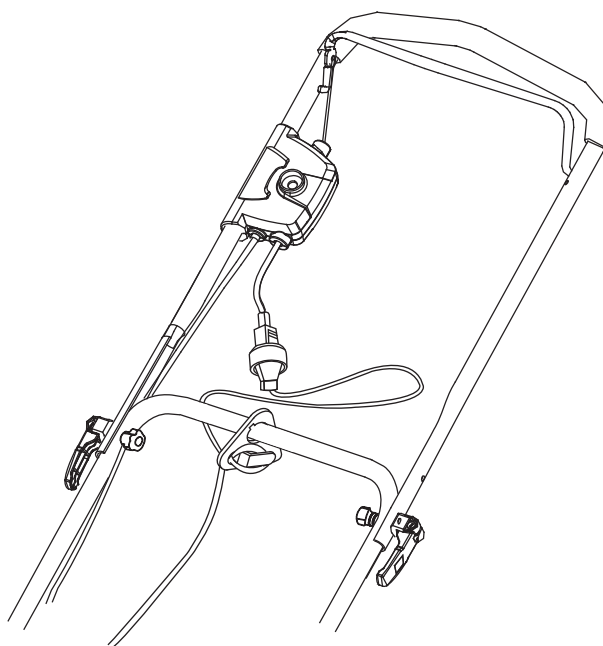
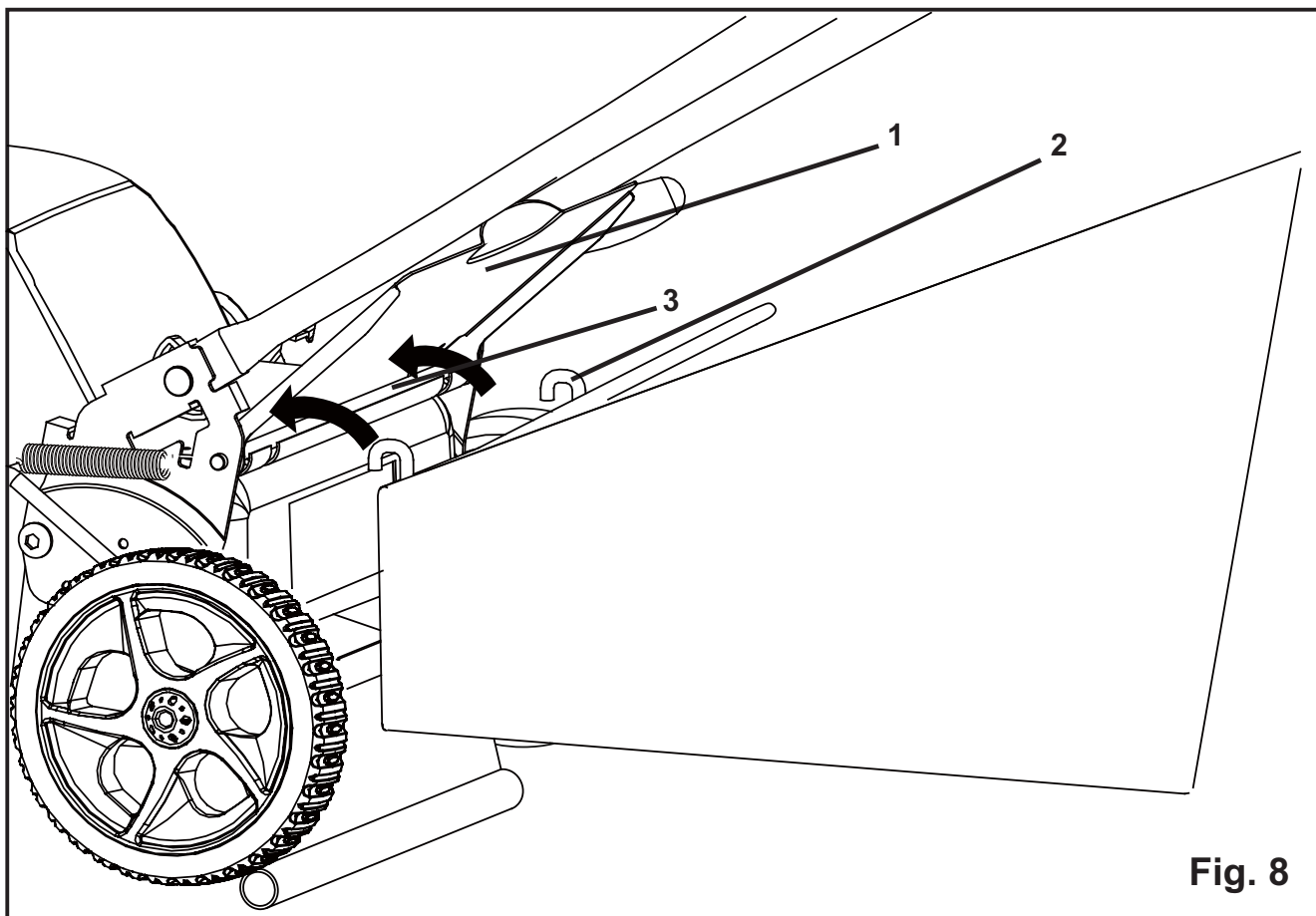


Fig. 7

ASSEMBLY INSTRUCTIONS

INSTALLING THE GRASS CATCHER BAG (See Figure 8.)

- Lift the chute cover (1).
- While holding up the cover (1), place the grass catcher bag hanger hooks (2) into the opening on the chute cover (1) to allow the hanger hooks to attach to the rod (3) which secures the chute cover.



ASSEMBLY INSTRUCTIONS

INSTALLING SIDE DISCHARGE CHUTE (See Figure 9.)

- Lift the side discharge cover (1).
- Align the grooves on the deflector (2) with the pins on the underside of the cover.
- Lower the deflector until the hooks on the mower deck are secured in the openings in the deflector.
- Release the deflector and cover.

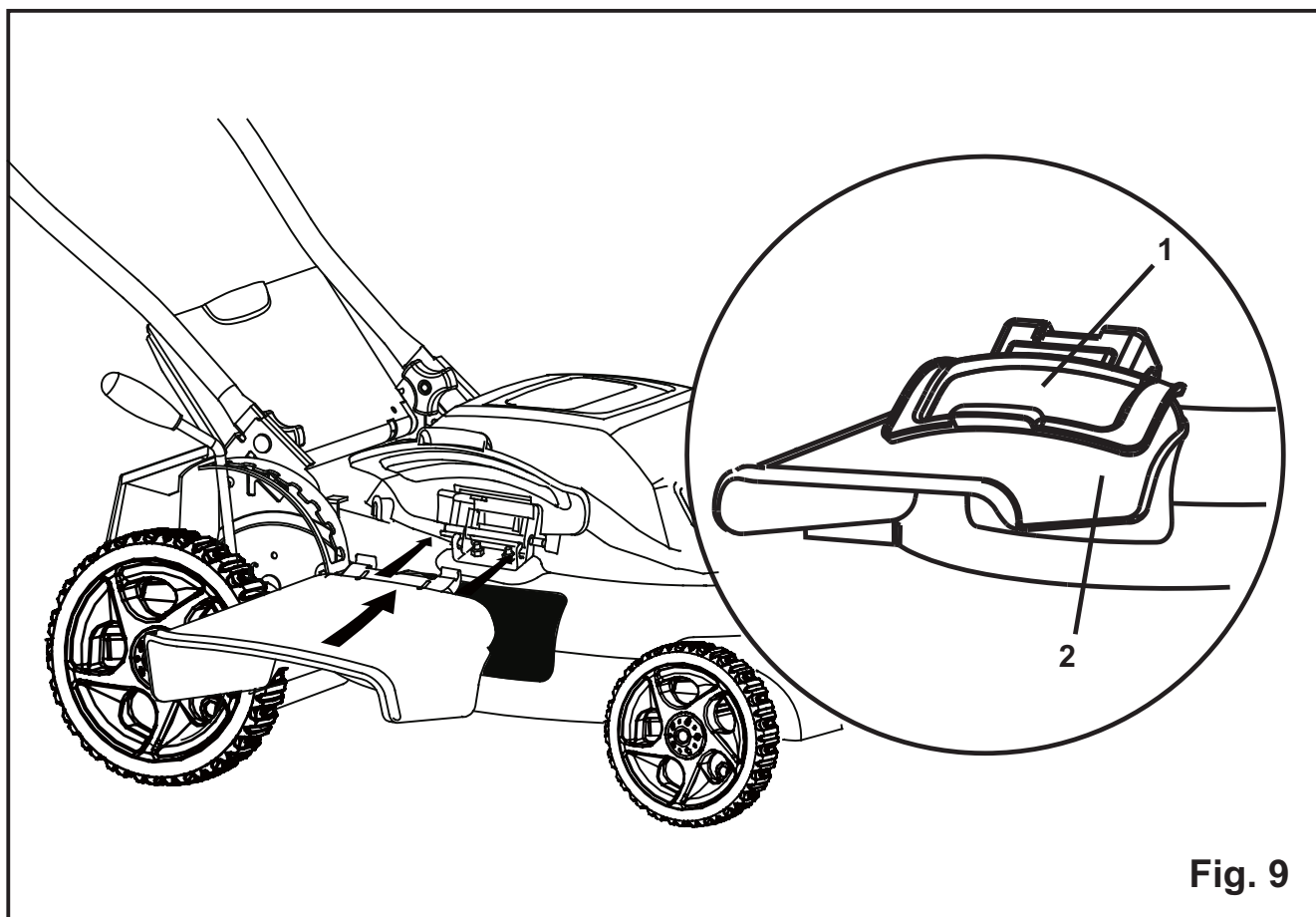


Fig. 9

ASSEMBLY INSTRUCTIONS

INSTALLING THE MULCHING PLUG (See Figure 10.)

NOTE: When using the mulching plug, do not install either the side discharge chute or the grass catcher.

- Lift the rear discharge cover (1).
- Grasp the mulching plug by its handle (2) and tilt at an approximate 15 degree angle.
- Insert the plug into the rear discharge opening.
- Lower the rear discharge door.

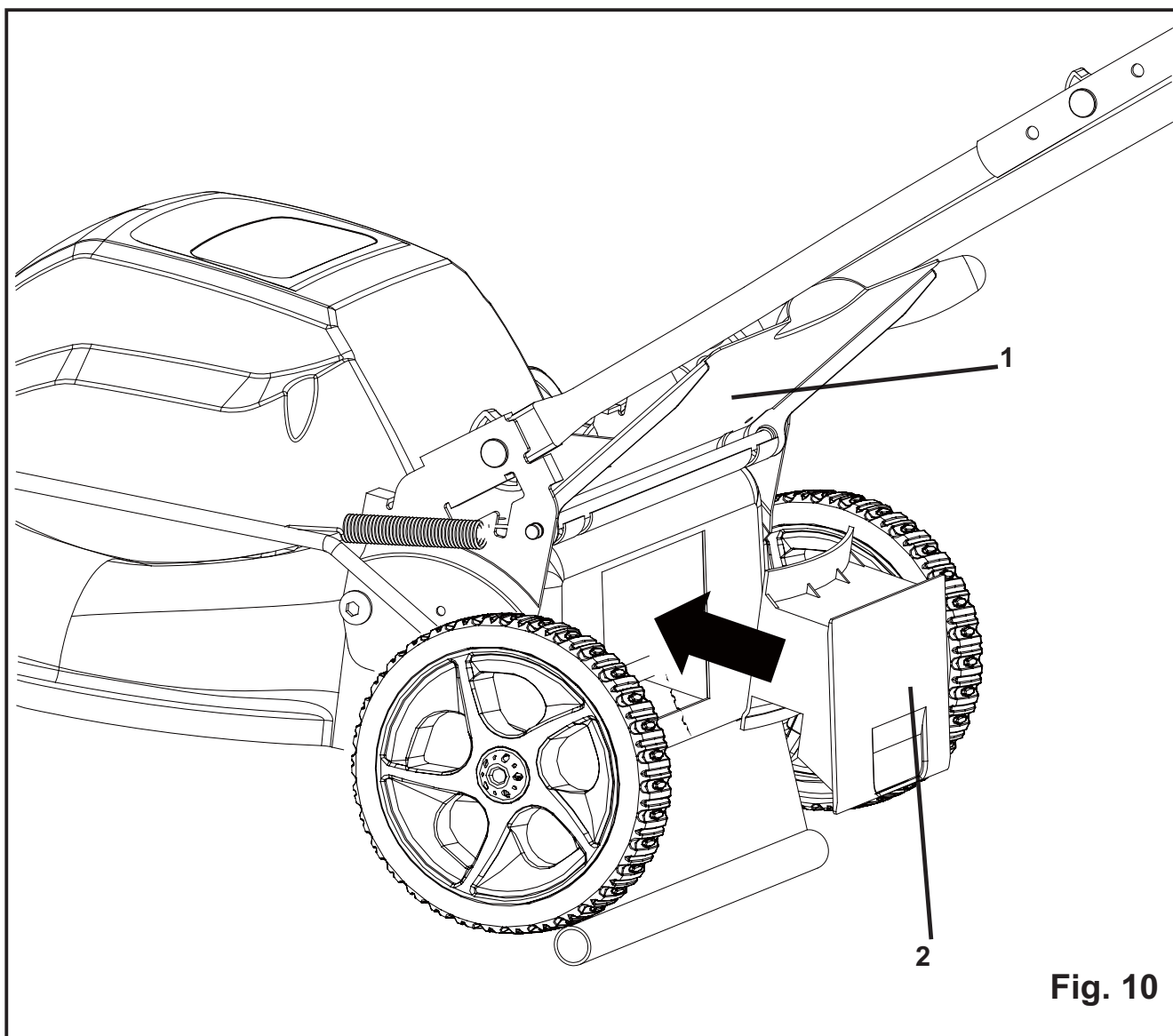


Fig. 10

OPERATING YOUR LAWN MOWER

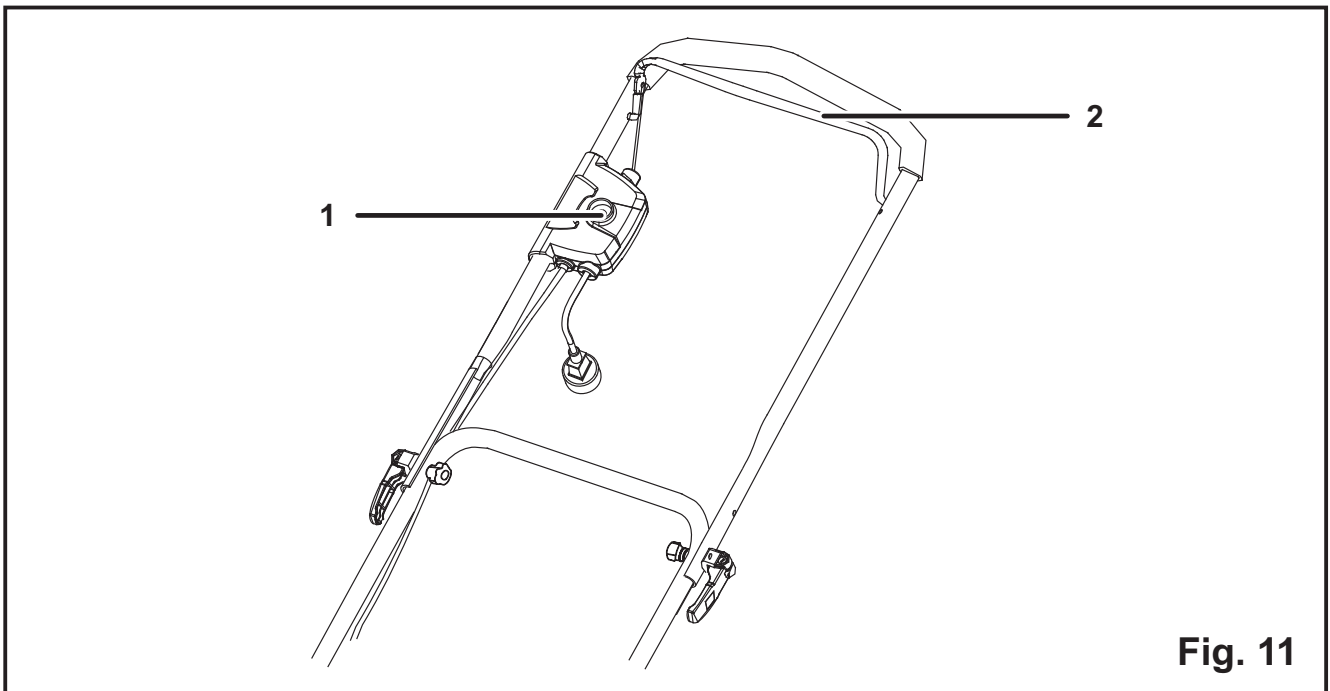
STARTING/STOPPING THE MOWER (See Figure 11.)

To start the motor:

- Plug the mower into an approved outdoor extension cord.
- Press and hold the start button (1).
- Pull the bail switch (2) upward to the handle to start the mower and release the button.

To stop the motor:

- Release the bail switch.



CAUTION

Do not attempt to override the operation of the start button or bail lever.

WARNING

The operation of any mower can result in foreign objects being thrown into the eyes, which can cause severe eye damage. Always wear safety glasses while operating the mower and while performing any adjustments or repairs.

WARNING

Ensure that other people and pets remain at least 100' (30 m) away when the mower is in use.

INSPECT THE CUTTING AREA.

Remove all stones, sticks, wire, bones, and other debris that might be thrown by the rotating blades.

OPERATING YOUR LAWN MOWER

CUTTING HEIGHT ADJUSTMENT (See Figure 12.)

When shipped, the wheels on the mower are set to a low-cutting position. Before using the mower for the first time, raise the cutting position to the height best suited for your lawn. The average lawn should be between 1 1/2" to 2" (3.8 to 5 cm) during cool months and between 2" and 3 1/2" (5 cm to 8.3 cm) during hot months.

To adjust the blade height:

- To raise the blade height, grasp the height adjustment lever (1) and move it toward the back of the mower.
- To lower the blade height, grasp the height adjustment lever (1) and move it toward the front of the mower.

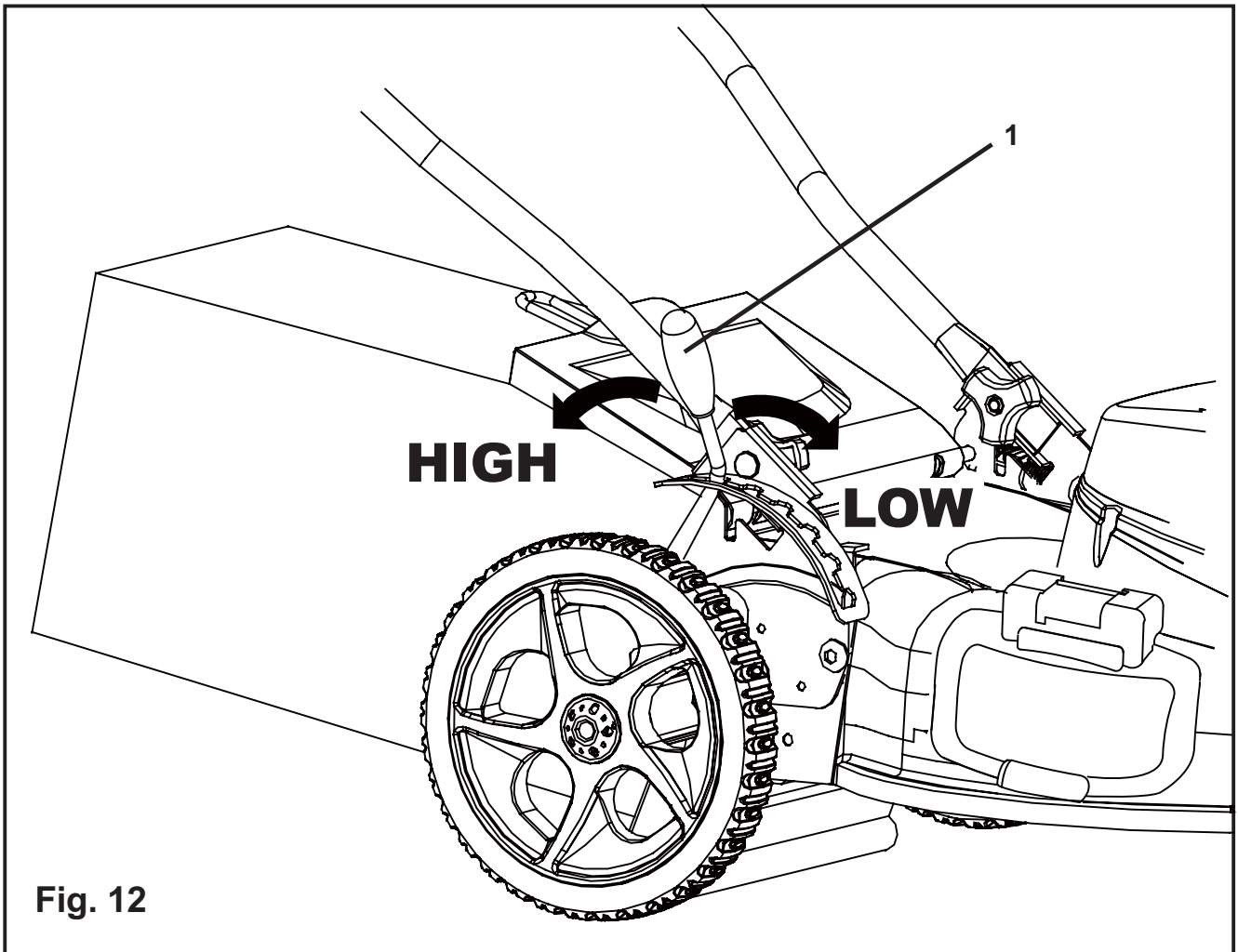


Fig. 12

OPERATING YOUR LAWN MOWER

EMPTYING THE GRASS CATCHER BAG (See Figure 13.)

- Release the bail switch to turn the mower off and wait for the blade to come to a complete stop. Unplug the mower.
- Lift the rear chute cover.
- Lift the grass catcher bag by its handle to remove from mower.
- Empty grass clippings.
- Lift the rear chute cover and reinstall the grass catcher bag as described earlier in this manual.



Fig. 13

OPERATING YOUR LAWN MOWER

SLOPE OPERATION

WARNING

Do not mow a slope that has an angle of greater than 15° (a rise of approximately 2-1/2 ft. [75m] every 10 ft. [3m]). Mow across the face of a slope, and never up and down.

- Slopes are a major factor related to slip and fall accidents that can result in severe injury. Operation on slopes requires extra caution. If you feel uneasy on a slope, do not mow it. For your safety, do not attempt to mow slopes greater than 15 degrees.
- Mow across the face of slopes, not up and down. Exercise extreme caution when changing direction on slopes.
- Watch for holes, ruts, rocks, hidden objects, or bumps which can cause you to slip or trip. Tall grass can hide obstacles. Remove all objects such as rocks, tree limbs, etc., which could be tripped over or thrown by the blade.
- Always be sure of your footing. A slip and fall can cause serious personal injury. If you feel you are losing your balance, release the switch control lever immediately.
- Do not mow near drop-offs, ditches, or embankments; you could lose your footing or balance.

OPERATING YOUR LAWN MOWER

MOWING TIPS

NOTE: A sharp blade will greatly enhance the performance of the mower, especially when cutting high grass. Be sure to check the blade and to sharpen it at least once per year, as described in the Maintenance section.

- Verify that the lawn is free of stones, sticks, wires, and other objects that could damage the blades or the motor. These objects could be accidentally thrown by the mower in any direction, and could cause serious personal injury to the operator and to others.
- In order to prevent electric shock, do not operate the mower in damp or wet conditions.
- Do not mow in circles. Travel back and forth across the lawn.
- When cutting thick grass, reduce walking speed in order to allow for a more effective cut and a proper discharge of the clippings. For a healthy lawn, always cut off one-third or less of the total length of the grass. The average lawn should be approximately 1-1/2 to 2" (3.8 to 5 cm) long during cool months, and more than 2" (5 cm) long during hot months. If there is growth, the lawn should be cut in the fall.

MULCHING TIPS

NOTE: ALWAYS INSPECT AREA WHERE MOWER IS TO BE USED AND REMOVE ALL STONES, STICKS, WIRE, BONES AND OTHER DEBRIS WHICH MIGHT BE THROWN THE ROTATING BLADE.

- Release switch to turn mower OFF when crossing any graveled area (stones can be thrown by the blade).
- Set mower at highest cutting height when mowing on rough ground or in tall weeds.
- For effective mulching, do not cut wet grass, as it tends to stick to the underside of the deck preventing proper mulching of grass clippings. New or thick grass may require a narrower cut. The ground speed should be adjusted to the condition of the lawn. If mowing has been delayed and the grass has been allowed to grow in excess of 4", mow twice to reduce the grass height to 3-3/4" maximum.
- Walk at a good, steady pace. Overlap your rows. Don't let the grass get too tall. If the grass gets too long start at the highest cutting position and work down to the desired cutting height.

WARNING

If you strike a foreign object, stop the motor and disconnect the power cord. Thoroughly inspect the mower for any damage. Repair any damage before operating the mower. Excessive vibration of the mower during operation is an indication of damage. Thoroughly inspect the mower and repair any damage before operating the mower.

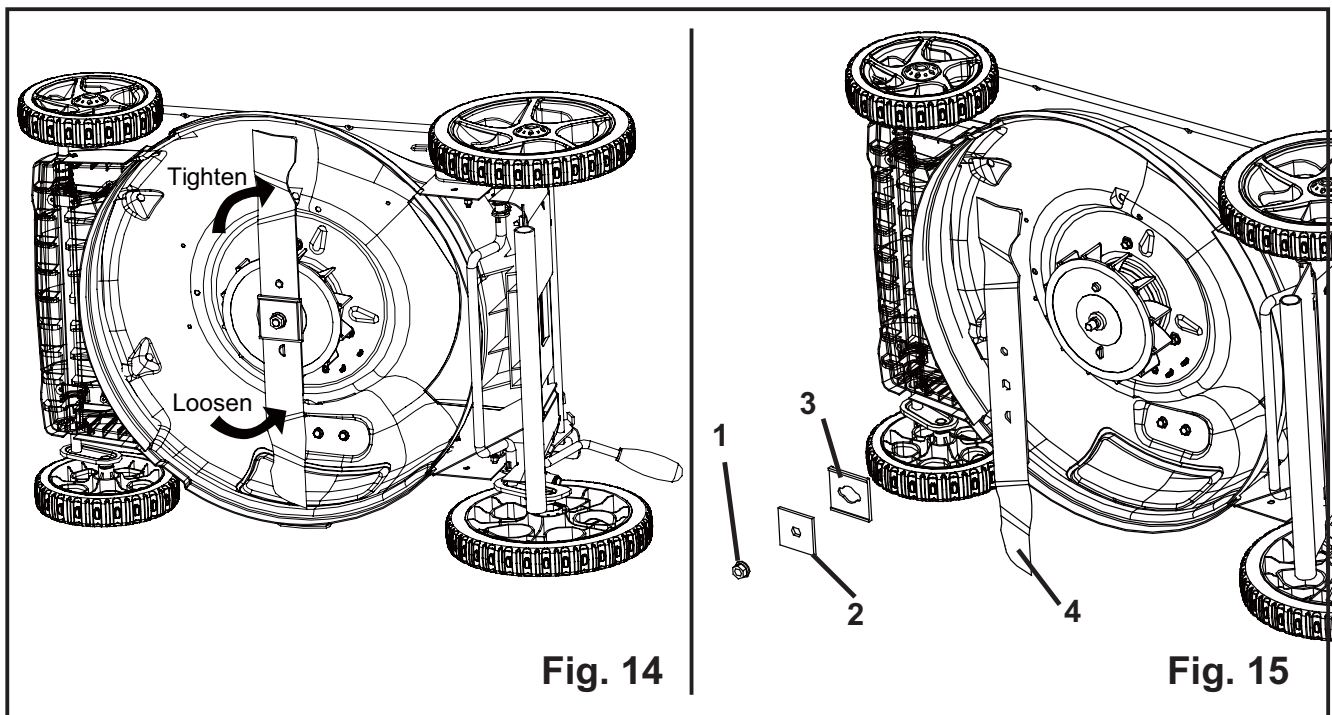
MAINTENANCE

CUTTING BLADE REPLACEMENT (See Figure 14.-15.)

⚠ WARNING

Always protect your hands by wearing heavy gloves and/or wrapping the cutting edges with rags or other materials when performing any maintenance on the blades.

- RELEASE THE BAIL SWITCH TO TURN THE MOWER OFF, WAIT FOR THE BLADE TO COME TO A COMPLETE STOP, AND THEN UNPLUG THE POWER CORD.
- While wearing leather padded gloves, wedge a block of wood between the blade and the mower deck in order to prevent the blade from turning when the nut is being removed.
- Using a 15-mm wrench or socket, loosen the blade nut (1) and remove the blade (4). Turn the nut "COUNTERCLOCKWISE" to loosen it and "CLOCKWISE" to tighten it.
- Remove the blade nut (1), the square washer (2), the insulator washer (3), and the blade (4).
- To re-install the blade, position the blade with the cutting edges toward the ground. Assemble the blade nut, the square washer, and the insulator washer as shown in following. Using a 15-mm wrench or socket, turn the blade nut "CLOCKWISE" to secure the blade.



NOTE: Be sure to replace the parts in the exact order in which they were removed. When installing the cutting blade, verify that it is installed with the curved ends pointing toward the mower deck, and not toward the ground. Refer to the schematic drawing on page 28 of this Manual.

MAINTENANCE

CLEAN THE MOWER

W A R N I N G

To reduce the risk of electric shock, do not expose the mower to water.

The underside of mower deck should be cleaned after each use as grass clippings, leaves, dirt and other debris will accumulate causing rust and corrosion.

- Remove any buildup of grass and leaves on or around the motor cover (do not use water). Wipe the mower clean with a dry cloth occasionally.
- If debris build up on the underside of the unit while in use, stop the motor and disconnect it from the power supply. Tilt the mower forward, or on its side, and scrape it clean with an appropriate tool.

STORAGE

To reduce the risk of electric shock, do not expose the mower to water.

- Make certain the power cord is disconnected.
- Clean mower as instructed in previous section.
- Inspect and replace/sharpen blade, if required. Refer to the Maintenance section.
- Store mower in a dry, clean area. Do not store next to corrosive materials, such as fertilizer and rock salt.
- Wipe extension cord to remove any foreign substances such as oil or stains. Replace extension cord if cut or damaged in any way.
- Wind cord in a series of equal loops to prevent it from tangling.
- Store mower indoors, in a cool, dry place, out of the reach of children. Do not cover lawn mower with a solid plastic sheet. Plastic coverings trap moisture around the mower causing corrosion.

The handle may be folded away completely for storage.

- Lift up the cam locks on the sides of the handle to unlock, and fold the upper handle down.
- Loosen the handle knobs, pull outwards on each side of the lower handle, and lift the sides of the lower handle past the edges of the handle mounting brackets. Fold the lower handle forward. Make sure not to bend or kink the power cord.

TROUBLESHOOTING

PROBLEM	POSSIBLE CAUSE	SOLUTION
Handle not in position.	Carriage bolts not seated properly.	Adjust the height of the handle and make sure the carriage bolts are seated properly.
	Handle knobs not tightened.	Tighten handle knobs.
Mower not starting.	Extension cord not connected to the mower plug.	Reconnect the cord and use the cord retainer to keep the cord close to the motor/blade control.
	Extension cord not connected to power source.	Connect the extension cord to a live 120V AC, 60 HZ AC receptacle.
	Motor control switch defective.	Have motor control switch replaced by an authorized service center.
Mower cutting unevenly.	Lawn is rough or uneven or height not set properly.	Move the wheels to a higher position. All wheels must be placed in the same cutting height for the mower to cut evenly.
Mower not mulching properly.	Wet grass clippings sticking to the underside of the deck.	Wait until the grass dries before mowing.
Mower hard to push.	High grass, rear of mower housing and blade dragging in heavy grass, or cutting height too low.	Raise cutting height.
Mower vibrating at higher speed.	Blade is unbalanced.	Balance the blade by grinding each cutting edge equally.
	Bent motor shaft.	Stop the motor, disconnect the power source, and inspect for damage. Have repaired by an authorized service center before restarting.

LIMITED THREE-YEAR WARRANTY



greenworks

GREENWORKS hereby warrants this product, to the original purchaser with **proof of purchase**, for a period of three (3) years against defects in materials, parts or workmanship. GREENWORKS, at its own discretion will repair or replace any and all parts found to be defective, through normal use, free of charge to the customer. This warranty is valid only for units which have been used for personal use that have not been hired or rented for industrial/commercial use, and that have been maintained in accordance with the instructions in the owners' manual supplied with the product from new.

ITEMS NOT COVERED BY WARRANTY:

1. Any part that has become inoperative due to misuse, commercial use, abuse, neglect, accident, improper maintenance, or alteration; or
2. The unit, if it has not been operated and/or maintained in accordance with the owner's manual; or
3. Normal wear, except as noted below;
4. Routine maintenance items such as lubricants, blade sharpening;
5. Normal deterioration of the exterior finish due to use or exposure.

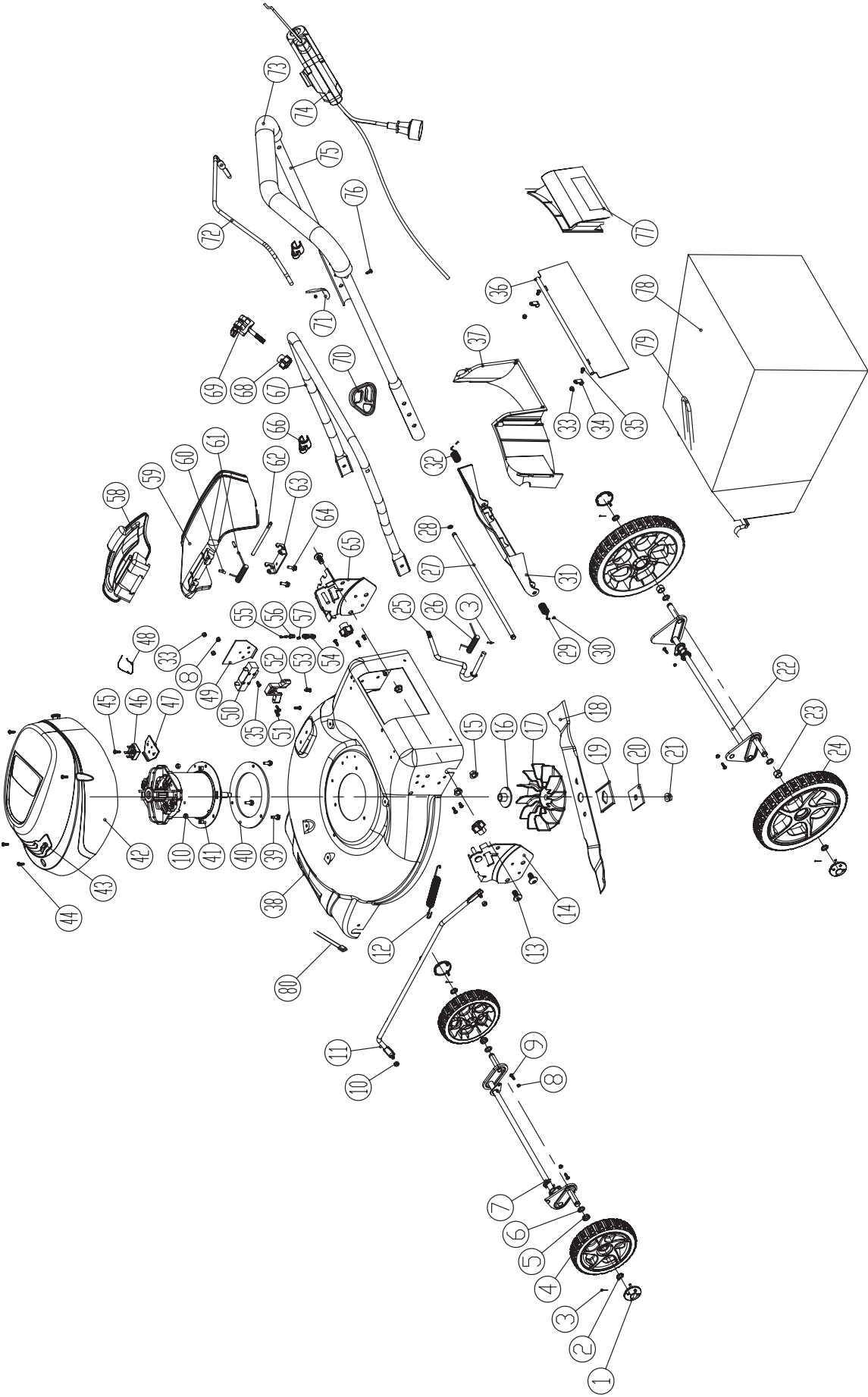
GREENWORKS HELPLINE (1-888-90WORKS):

Warranty service is available by calling our toll-free helpline, 9 a.m. to 5 p.m. EST. Monday – Friday at **1-888-909-6757 (1-888-90WORKS)**

TRANSPORTATION CHARGES:

Transportation charges for the movement of any power equipment unit or attachment are the responsibility of the purchaser. It is the purchaser's responsibility to pay transportation charges for any part submitted for replacement under this warranty unless such return is requested in writing by GREENWORKS.

EXPLODED VIEW



PARTS LIST

ITEM NO.	PART NO.	DESCRIPTION	QTY
1	34106488	Wheel cover	4
2	3220898	Washer	4
3	3290135	Pin ϕ 2.5	5
4	31102488	7" wheel	2
5	3320639	Wheel ferrule	2
6	3330384	Washer	4
7	333071161	Front wheel axle	1
8	3220439	Lock nut M5	4
9	3220575	Screw M5x10	4
10	3220537	Lock nut M6	5
11	33303227-7	Link bar	1
12	3340137-2	Extension spring	1
13	3221637	Bolt M10x20	4
14	33302222	Height adjustment bracket left	1
15	3220737	Nut M10	4
16	3320238A	Spindle guard	1
17	3410237	Fan	1
18	33313250-1	Blade	1
19	3410535	Blade insulator	1
20	3331435A	Spacer	1
21	3221037A	Blade nut	1
22	31102222	Rear wheel axle	1
23	3320237	Wheel ferrule	2
24	31103488	10" wheel	2
25	31103222	Height adjustment shaft	1
26	33401222	Torsion spring	1
27	3320138-1	Rear discharge pin	1
28	3290506	Ring washer	1
29	33304235	Rear torsion spring (left)	1
30	3420436	Bushing	3
31	34103236	Rear discharge door	1
32	33302235	Rear torsion spring (right)	1
33	3221237	Lock nut M4	3
34	333061161-1	Wire clip	2
35	3220511	Screw M4x12	3
36	34127229	Rear flap	1
37	34106236	Rear baffle	1
38	31301227-3	Deck	1
39	32205227	Bolt M6x18	3
40	34203227	Rubber ring	1
41	T0300041-00	Motor	1

PARTS LIST

ITEM NO.	PART NO.	DESCRIPTION	QTY
42	34103222-3	Motor cover	1
43	34105222-6	Motor vent	1
44	3220435	Screw M5×15	4
45	3220404	Screw ST4.2×25-F	1
46	3690153	Rectifier	1
47	3331035	Radiator rectifier	1
48	3111135	Cord assy.	1
49	33301475	Resistance radiator	1
50	369011161	Resistance	1
51	3220850	Screw M5x20	2
52	3410290-1	Resistance support	1
53	3220951	Screw ST 5x16-C	2
54	3410137	Cord guide	1
55	3220505	Screw ST4×16-F	4
56	3410403	Cord retainer	1
57	3221137	Screw M5x12	1
58	3410338-4	Side discharge door	1
59	3410438-3	Side discharge deflector	1
60	3420207	Rubber sleeve	2
61	3340237-1	Torsion spring	1
62	3320338A	Side discharge pin	1
63	3330637A	Side discharge bracket	1
64	3220136	Bolt M6x8	2
65	33305222	Height adjustment bracket right	1
66	34135469A	Cord guide	2
67	33301489	Lower handle	1
68	34106467-1	Knob	4
69	31102467-2	Cam lock assy.	2
70	34120227	Cord retainer	1
71	33323250-1	Bail stop	1
72	33305469-3	Bail switch	1
73	34135486	Soft grip	1
74	31102489A	Motor/blade control box	1
75	33310470-2	Upper handle	1
76	32208234	Bolt M5x30	1
77	34104236	Mulching plug	1
78	34902237-6	Grass catcher	1
79	33301237	Grass catcher frame	1
80	363012329	Protector	1

greenworks

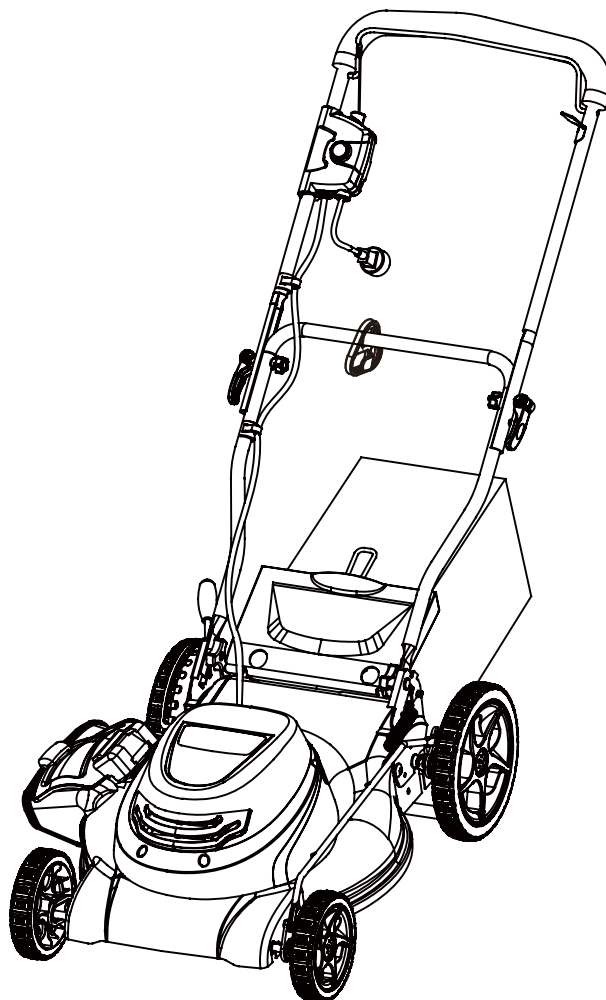
Greenworks Tools
P.O. Box 1238
Mooresville, NC 28115

Greenworks Tools Canada Inc.
1110 Stellar Drive Unit 102
Newmarket, ON, L3Y 7B7

TOLL-FREE HELPLINE: 1-888-90WORKS (888-909-6757)

greenworks

20 PO TONDEUSE À GAZON ÉLECTRIQUE 25022



Guide d'utilisation

LIGNE D'ASSISTANCE SANS FRAIS : 1-888-90WORKS (888-909-6757)
www.GreenWorksTools.com



Avant d'utiliser le produit, veuillez lire et suivre toutes les consignes de sécurité et les instructions d'utilisation.

MATIÈRES

Matières	2
Fiche technique	2
Règles de sécurité	3-6
Symboles	7-8
Caractéristiques électriques	9-10
Caractéristiques	11
Assemblage	12-17
Utilisation	18-22
Entretien	23-24
Entreposage	25
Dépannage	26
Garantie	27
Vue éclatée	28
Liste des pièces	29-31

FICHE TECHNIQUE

20 PO TONDEUSE À GAZON ÉLECTRIQUE

Moteur	120 V AC, 60 Hz, 12 A
Régime à vide	3600 tr/min
Largeur de coupe	20 po (50,8 cm)
Réglages de hauteur	1 1/2—3 3/4 po (3,8 cm-9,5 cm)
Fonctions	3 en 1 : déchiquetage, éjection latérale ou sac arrière
Poids	56 lbs (25,4 kg)



RÈGLES DE SÉCURITÉ

CONSIGNES GÉNÉRALES

I M P O R T A N T

Veillez à lire attentivement et bien comprendre toutes les instructions. Le non respect de toutes les instructions ci-dessous et sur la machine peut entraîner un choc électrique, un incendie, et/ou des blessures graves.

- Cet outil coupant peut amputer les mains et les pieds et projeter des objets. Le non respect de toutes les instructions de sécurité peut entraîner des blessures graves voire la mort.
- N'utilisez pas la tondeuse dans un environnement mouillé ou humide et ne l'utilisez pas s'il pleut.
- N'utilisez jamais la tondeuse à proximité d'autres personnes, d'enfants ou d'animaux de compagnie. Arrêtez la tondeuse dès que quelqu'un se trouve dans la zone de travail.
- Keep the area clear of all bystanders, children, and pets while mowing. Stop machine if anyone enters the area.
- Des accidents tragiques peuvent survenir si l'opérateur ne s'aperçoit pas de la présence d'enfants. Les enfants sont souvent intéressés par ce genre de machine et la tondaison. N'estimez jamais que des enfants resteront à l'endroit où vous les avez vus à un certain moment.
 - Assurez-vous que les enfants sont éloignés de la zone de coupe et supervisés par un adulte autre que l'opérateur.
 - Soyez vigilant et arrêtez la tondeuse si un enfant s'approche.
 - Ne permettez jamais à des enfants d'utiliser la tondeuse.
 - Redoublez de prudence quand vous vous approchez de toute bordure masquée, d'arbustes, d'arbres ou d'objets pouvant dissimuler la présence d'un enfant.
- Ne portez pas de vêtements amples ni de bijoux. Ils peuvent se prendre dans les pièces en mouvement. Le port de gants en caoutchouc et de chaussures est recommandé pour travailler à l'extérieur.
- Veillez à vous tenir bien en équilibre. Ne poussez pas la tondeuse à bout de bras. Ceci peut entraîner une perte d'équilibre.
- N'utilisez la tondeuse ni pieds nus, ni en portant de sandales ou de chaussures légères. Portez des chaussures de protection qui permettent d'assurer un meilleur équilibre sur des surfaces glissantes.
- Ne laissez pas la tondeuse sans surveillance quand elle est en marche.
- Éloignez les mains et les pieds de la zone de coupe. Tenez vous éloigné de l'ouverture de décharge en tout temps.
- Utilisez la tondeuse seulement à la lumière du jour ou en présence d'une bonne lumière artificielle.
- Portez toujours des lunettes de sécurité à écran latéral. Dans des lunettes ordinaires seul le verre est anti-choc. Ce NE sont PAS des lunettes de sécurité. Le respect de de cette consigne réduit le risque de blessures oculaires. Utilisez un masque si la tâche est poussiéreuse.
- Portez de lunettes des sécurité ou des lunettes étanches conformes à la norme ANSI Z87.1

RÈGLES DE SÉCURITÉ

quand vous utilisez ce produit.

- Utilisez l'équipement approprié. Utilisez la tondeuse uniquement aux fins pour lesquelles elle a été conçue.
- Ne dépassez pas la vitesse préconisée. Une utilisation de la tondeuse à la vitesse pour laquelle elle a été conçue permet un meilleur rendement et un travail exécuté en toute sécurité.
- Soyez vigilant, prêtez attention à ce que vous faites et faites preuve de bon sens lorsque vous utilisez la tondeuse. N'utilisez pas la tondeuse si vous êtes fatigué ou sous l'influence de drogues, d'alcool ou de médicaments. Un moment d'inattention pendant l'utilisation de la tondeuse peut entraîner des blessures graves.
- Gardez la tondeuse en bon état. Assurez-vous que les lames sont affûtées et que les dispositifs de protection sont en place et en état de fonctionnement.
- Vérifiez fréquemment que tous les écrous, boulons et vis sont serrés pour être sûr que la tondeuse est en bon état et fonctionne en toute sécurité.
- Arrêtez le moteur et attendez que la lame s'immobilise complètement avant de nettoyer la tondeuse, d'enlever le collecteur d'herbe ou de déboucher le déflecteur d'éjection.
- Quand la tondeuse n'est pas utilisée, elle doit être entreposée à l'intérieur, dans un endroit sec et sécuritaire-loin de la portée des enfants.
- Pour réduire le risque d'un choc électrique, ce produit est muni d'une fiche polarisée (une lame est plus large que l'autre) et nécessite un cordon prolongateur polarisé. La fiche ne peut être insérée dans le cordon prolongateur que d'une seule façon. Si la fiche ne s'insère pas complètement dans le cordon prolongateur, inversez-la. Si elle ne s'insère toujours pas, procurez-vous un cordon prolongateur approprié. Un cordon prolongateur polarisé doit être branché sur une prise murale polarisée. La fiche ne peut être insérée dans la prise murale que d'une seule façon. Si la fiche ne s'insère pas complètement, inversez-la. Si elle ne s'insère toujours pas, contactez un électricien pour installer une prise appropriée. Ne modifiez pas la fiche de l'outil, le connecteur du cordon prolongateur ou la fiche du cordon prolongateur d'aucune façon.
- Veillez à ne pas abîmer le cordon. N'utilisez jamais le cordon pour tirer la tondeuse ou pour déconnecter la fiche de la prise. Éloignez le cordon de toute source de chaleur, de l'huile, des rebords tranchants et des pièces en mouvement. Remplacez immédiatement les cordons endommagés. Les cordons endommagés accroissent le risque d'un choc électrique.
- Assurez-vous que le cordon prolongateur est en bon état. Quand vous utilisez le cordon prolongateur, assurez-vous que sa capacité est suffisante pour supporter le courant de fonctionnement. Pour un cordon prolongateur de 15,3 m (50 pi) ou moins, il est recommandé d'utiliser un calibre de fil d'au moins 14 AWG. En cas de doute, utilisez un cordon du calibre immédiatement supérieur. Moins le numéro de calibre est élevé, plus la capacité du fil est grande. Un cordon prolongateur de capacité insuffisante causerait une baisse de tension entraînant une perte de puissance et une surchauffe.
- **AVERTISSEMENT** : Utilisez les cordons prolongateurs pour extérieur marqués SW-A, SOW-A, STW-A, STOW-A, SJWA, SJTW-A, ou SJTOWA. Ces cordons prolongateurs sont homologués pour l'utilisation à l'extérieur et réduisent le risque de choc électrique.

RÈGLES DE SÉCURITÉ GÉNÉRALES

- Les circuits utilisés avec la tondeuse doivent être munis d'un interrupteur de défaut à la terre.

RÈGLES DE SÉCURITÉ

Des connecteurs avec un interrupteur de défaut à la terre sont disponibles et peuvent être utilisés pour satisfaire à cette mesure de sécurité.

- Inspectez périodiquement l'état des cordons prolongateurs et remplacez-les s'ils sont endommagés. Assurez-vous que les poignées sont sèches, propres et exemptes d'huile ou de graisse.

RÈGLES DE SÉCURITÉ PARTICULIÈRES

- N'utilisez jamais la tondeuse sans le collecteur d'herbe, le déflecteur d'éjection, le déflecteur arrière ou d'autres dispositifs de protection en place et en état de marche.
- Suivez les instructions du fabricant relatives à l'installation et l'utilisation des accessoires. Utilisez seulement des accessoires approuvés par le fabricant.
- Nettoyez la zone de travail avant chaque utilisation. Déblayez tout objet, pierres, branches, fils ou jouets, par exemple que pourrait projeter la lame. Tenez vous derrière la poignée quand le moteur est en marche.
- Évitez les trous, les ornières, les pierres ainsi que tout objet susceptible d'être caché. Un terrain accidenté peut provoquer un glissement et vous faire tomber par accident.
- Ne tondez pas près des dépressions, fossés ou berges.
- Tondez toujours les pentes transversalement, jamais en montant ou en descendant. Soyez particulièrement prudent lorsque vous changez de direction sur les terrains en pente.
- Organisez votre parcours de manière à ne pas éjecter de matériaux sur les routes, les trottoirs, les passants, etc. Évitez également d'éjecter les matériaux sur un mur ou une obstruction ce qui pourrait causer un matériau d'être projeté par ricochet en direction de l'opérateur.
- N'utilisez pas la tondeuse sur de l'herbe mouillée ou sur des pentes très raides. Une position instable peut vous faire glisser et tomber par accident. Marchez, ne courez jamais.
- Redoublez de prudence si vous vous approchez de bordures cachées, d'arbustes, d'arbres ou d'objets empêchant une vue dégagée.
- Ne tirez jamais la tondeuse vers l'arrière à moins que cela soit absolument nécessaire. Si vous devez tirer la tondeuse pour éviter un mur ou un obstacle, commencez par regarder vers le bas puis en arrière pour ne pas trébucher.
- N'éjectez jamais du matériel en direction de quelqu'un. Évitez d'éjecter le matériel sur un mur ou un obstacle. Le matériel pourrait rebondir vers vous. Arrêtez la lame quand vous traversez des surfaces recouvertes de gravier.
- Des objets frappés par la lame de la tondeuse peuvent causer des blessures graves. Examinez la pelouse et éliminez tout objet s'y trouvant avant de tonde.
- Si la tondeuse heurte un objet étranger, appliquez les consignes suivantes:
 - Arrêtez la tondeuse et relâchez le levier de commande.
 - Débranchez le cordon d'alimentation.
 - Inspectez attentivement la tondeuse pour déceler tout dommage.
 - Réparez tout dommage avant de démarrer et d'utiliser la tondeuse.

RÈGLES DE SÉCURITÉ

- Arrêtez le moteur, déconnectez la fiche de la source de courant et attendez que la lame s'immobilise complètement avant d'enlever le collecteur d'herbe ou de déboucher le déflecteur d'éjection. La lame continue de tourner pendant quelques secondes après l'arrêt du moteur. Ne vous approchez jamais de la lame avant d'être certain qu'elle ne tourne plus.
- Déconnectez la fiche de la source de courant avant d'effectuer des réglages, de changer les accessoires ou d'entreposer la tondeuse. Ces mesures de prévention réduisent le risque d'un démarrage accidentel.
- Si la tondeuse commence à vibrer de façon anormale, arrêtez le moteur et déterminez quelle en est la cause. Toute vibration est généralement le signe d'un problème.
- Le produit doit toujours être réparé par un personnel qualifié seulement. Des réparations ou un entretien effectués par des personnes non qualifiées peuvent entraîner des blessures pour l'utilisateur ou endommager le produit.
- Lors réparation du produit, utilisez seulement des pièces identiques aux pièces d'origine. L'utilisation de pièces non autorisées pose un risque de blessure grave pour l'utilisateur et d'endommagement du produit.
- Si le cordon d'alimentation est endommagé, il doit être remplacé par le fabricant ou un centre de réparation agréé pour éviter tout risque.
- Conservez ces instructions. Consultez-les fréquemment et utilisez-les pour instruire les autres utilisateurs éventuels. Si vous prêtez ce produit, il doit être accompagné de ces instructions.

AVERTISSEMENT (PROPOSITION 65)

Certaines poussières que produisent le ponçage, sciage, meulage et forage électriques ainsi que les autres activités de construction contiennent des substances chimiques qui sont des cancérogènes connus susceptibles de causer des anomalies congénitales ou d'autres préjudices à la reproduction. Quelques exemples en sont :

- Plomb des peintures à base de plomb
- Silice cristalline des briques et du ciment ou d'autres produits de maçonnerie, et
- Arsenic et chrome du bois traité chimiquement.

Le niveau de risque résultant de votre exposition à ces produits varie selon la fréquence à laquelle vous effectuez ce type de travail. Pour réduire votre exposition à ces produits chimiques travaillez dans un endroit bien aéré et utilisez des équipements de sécurité approuvés tels que les masques anti-poussière conçus particulièrement pour le filtrage des particules microscopiques.









Le dispositif de protection (un dispositif qui est calibré pour désactiver le circuit du moteur lorsqu'un niveau de température/courant spécifique a été atteint. L'outil requiert un refroidissement jusqu'en dessous d'un certain point de calibrage et le débranchement du cordon d'alimentation pour réinitialiser le dispositif de protection) situé dans le tondeuse pour aider à arrêter le tondeuse lorsque la lame est coincée ou une surcharge se produit.

Lorsque le dispositif de protection se déclenche, l'opérateur doit relâcher le commutateur et débrancher immédiatement l'outil, puis redémarrer le tondeuse 5 minute après.

GARDEZ CES INSTRUCTIONS




SYMBOLES

Certains des symboles ci-dessous peuvent être utilisés sur ce produit. Veuillez les étudier et apprendre leur signification. Une interprétation correcte de ces symboles vous permettra d'utiliser ce produit plus efficacement et de réduire les risques.

SYMBOLE	NOM	DÉSIGNATION/EXPLICATION
V	Volts	Tension
A	Ampères	Intensité
Hz	Hertz	Fréquence (cycles par seconde)
W	Watts	Puissance
min	Minutes	Temps
~	Courant alternatif	Type de courant
≡	Courant continu	Type ou caractéristique du courant
n_0	Vitesse à vide	Vitesse de rotation à vide
	Construction de classe II	Construction à double isolation
/min	Par minute	Tours, coups, vitesse périphérique, orbites, etc., par minute
	Avertissement concernant l'humidité	N'exposez pas le produit à la pluie ou l'humidité
	Lisez le manuel d'utilisation	Pour réduire le risque de blessure, l'utilisateur doit lire et bien comprendre le manuel d'utilisation avant d'utiliser ce produit.
	Protection oculaire	Portez des lunettes étanches ou des lunettes de sécurité à écran latéral et, si nécessaire, un masque intégral lors de l'utilisation de ce produit.
	Garder les mains et les pieds à l'écart	Garder les mains et les pieds à l'écart de la lame et de la zone de coupe.
	Se tenir loin	Ne pas mettre ses mains ou ses pieds en dessous du châssis de la tondeuse.
	Éviter les pentes	Ne pas utiliser sur des pentes de plus de 15°. Tondre les pentes dans le sens transversal, jamais en montant ou en descendant.
	Ne laisser personne s'approcher	Garder les badauds et animaux domestiques à une distance de 15 m (50 pi) minimum.

SYMBOLES

Certains des symboles ci-dessous peuvent être utilisés sur produit. Veiller à les étudier et à apprendre leur signification. Une interprétation correcte de ces symboles permettra d'utiliser produit plus efficacement et de réduire les risques.

SYMBOLE	SIGNAL	SIGNIFICATION
	DANGER	Indique une situation extrêmement dangereuse qui, si elle n'est pas évitée, aura pour conséquence des blessures graves voire mortelles.
	AVERTISSEMENT	Indique une situation potentiellement dangereuse qui, si elle n'est pas évitée, peut entraîner des blessures graves voire mortelles.
	ATTENTION	Indique une situation potentiellement dangereuse qui, si elle n'est pas évitée, peut entraîner des blessures légères voire modérées.
	ATTENTION	(Sans symbole d'alerte de sécurité) Indique une situation pouvant entraîner des dommages matériels.

DÉPANNAGE

Le dépannage exigeant des précautions extrêmes et la connaissance du système, il ne doit être confié qu'à un technicien de service qualifié. En ce qui concerne les réparations, nous recommandons de confier le produit au **CENTRE DE RÉPARATIONS AGRÉÉ** le plus proche. Lors de réparation du produit, utilisez seulement des pièces identiques aux pièces d'origine.

A V E R T I S S E M E N T

Pour éviter des blessures graves, n'utilisez pas ce produit avant d'avoir lu entièrement et bien compris toutes les instructions contenues dans le manuel d'utilisation. Si vous ne comprenez pas les avertissements et les instructions du présent manuel, n'utilisez pas ce produit. Appelez le Service à la clientèle EarthWise pour obtenir de l'aide.

A V E R T I S S E M E N T



L'utilisation de tout outil motorisé peut causer la projection d'objets en direction du visage et entraîner des lésions oculaires graves. Avant de commencer à utiliser l'outil, portez toujours des lunettes de sécurité étanches ou des lunettes de sécurité à écran latéral ou, si nécessaire, un masque intégral. Nous recommandons d'utiliser un masque à champ de vision élargie si vous portez des lunettes de vue ou des lunettes de sécurité à écran latéral. Utilisez toujours une protection oculaire certifiée conforme à la norme ANSI Z87.1

GARDEZ CES INSTRUCTIONS

CARACTÉRISTIQUES ÉLECTRIQUES

ISOLATION DOUBLE (Voir Figure 1.)

L'isolation double est un concept de sécurité des outils électriques qui élimine le besoin d'un cordon standard à trois fiches de mise à la terre. Toutes les pièces métalliques sont isolées des parties métalliques du moteur interne par une isolation protectrice. Des outils à double isolation n'ont pas besoin de mise à terre.

⚠ A V E R T I S S E M E N T

Le système à double isolation est conçu pour protéger l'utilisateur des chocs qui pourraient surgir des défauts dans l'installation électrique interne de la machine. Observez toutes les instructions de sécurité pour éviter les chocs électriques.

REMARQUE: La réparation d'un produit à isolation double exige des précautions extrêmes et la connaissance du système et elle ne doit être confiée qu'à un technicien de service qualifié. Pour les réparations, nous recommandons de confier le produit au centre de réparations agréé le plus proche. Utilisez toujours des pièces de rechange d'origine du fabricant pour toute réparation.

CONNEXION ÉLECTRIQUE

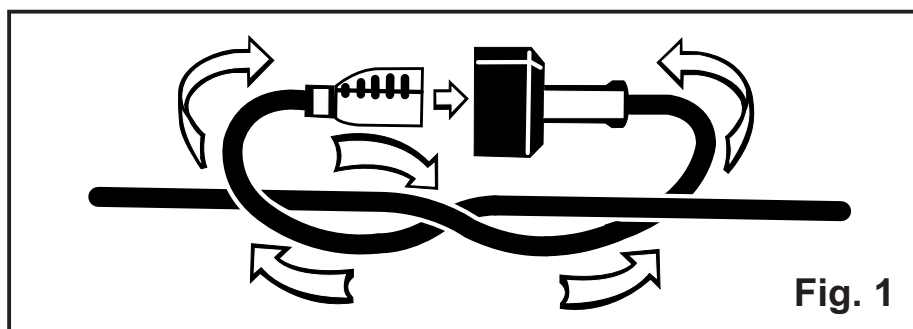
Ce produit est équipé d'un moteur électrique de précision. Il doit être branché uniquement sur une alimentation 120 V, 60 Hz, c.a. (courant résidentiel standard). N'utilisez pas cet outil sur une source de courant continu (c.c.). Une chute de tension importante causerait une perte de puissance et une surchauffe du moteur. Si le produit ne fonctionne pas une fois branché, vérifiez l'alimentation électrique.

CORDONS PROLONGATEURS

Quand vous utilisez un outil électrique à une distance considérable de la source d'alimentation en électricité, assurez-vous d'utiliser un cordon prolongateur de capacité suffisante pour supporter le courant de fonctionnement. Un cordon prolongateur de capacité insuffisante causera une perte de tension et entraînera une surchauffe et une perte de puissance. Utilisez le tableau pour déterminer le calibre minimum de fil requis pour un cordon prolongateur. Utilisez exclusivement des cordons à gaine cylindrique homologués par Underwriter's Laboratories (UL).

Pour les travaux à l'extérieur, utilisez un cordon prolongateur spécialement conçu à cet effet. La gaine des cordons de ce type porte l'inscription « W-A » ou « W ».

Avant d'utiliser un cordon prolongateur, vérifiez que ses fils ne sont ni détachés ni exposés et que son isolation n'est ni coupée, ni usée.



CARACTÉRISTIQUES ÉLECTRIQUES

Il est possible d'attacher le cordon d'alimentation et le cordon prolongateur en formant une boucle pour éviter qu'ils se détachent pendant l'utilisation. Faites une boucle comme indiqué figure 1 et branchez la fiche du cordon d'alimentation dans la prise du cordon prolongateur. Cette méthode peut aussi être utilisée pour attacher ensemble deux cordons prolongateurs.

CALIBRE MINIMUM DE LA RALLONGE (AWG) (CIRCUIT DE 120 V SEULEMENT)

Intensité nominale de l'outil		Longueur totale de la rallonge			
Plus de	Moins de	25 pi (7,6 m)	50 pi (15 m)	100 pi (30,4 m)	150 pi (45,7 m)
0	6	18	16	16	14
6	10	18	16	14	12
10	12	16	16	14	12
12	16	14	12	Non recommandée	

A V E R T I S S E M E N T

Écartez le cordon prolongateur de la zone de travail. Placez le cordon de façon qu'il ne puisse pas être pris dans les pièces de bois, des outils ou d'autres obstacles quand vous travaillez avec un outil électrique. Le non respect de cet avertissement peut entraîner des blessures graves.

A V E R T I S S E M E N T

Vérifiez l'état des cordons prolongateurs avant chaque usage. Remplacez immédiatement les cordons endommagés. N'utilisez jamais le produit avec un cordon endommagé car un contact avec la partie endommagée peut causer un choc électrique et une blessure grave.

GARDEZ CES INSTRUCTIONS

CARACTÉRISTIQUES

Lisez ce manuel d'instructions et toutes les consignes de sécurité avant d'utiliser votre tondeuse à gazon. Comparez l'illustration ci-dessus (fig 2) à votre tondeuse afin de vous familiariser avec l'emplacement des commandes et réglages. Conservez ce manuel pour consultation future.

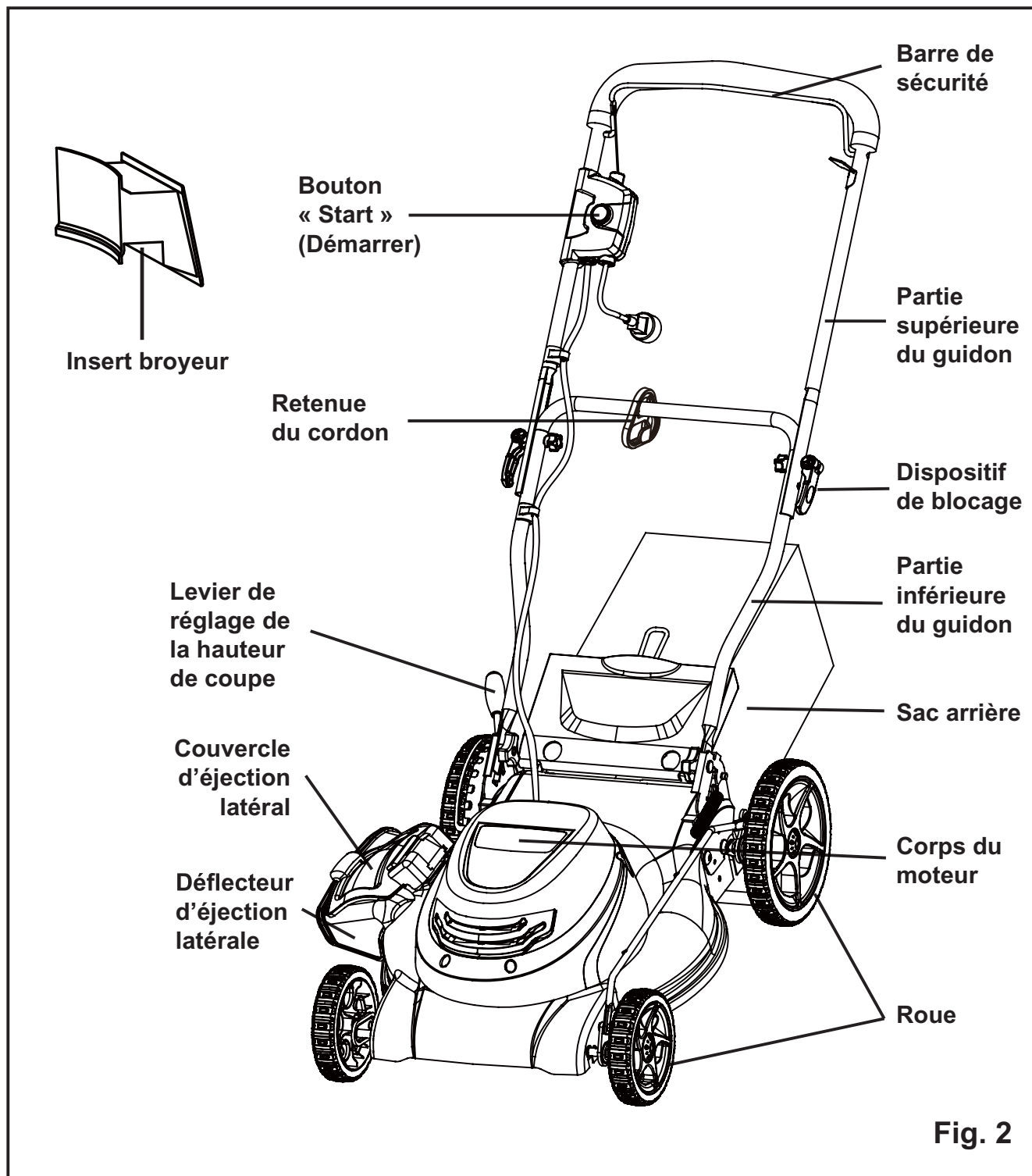


Fig. 2

ASSEMBLAGE

DÉBALLAGE

- Retirez prudemment le produit et les accessoires de la boîte. Assurez-vous que tous les articles énumérés dans la liste de colisage sont inclus.
- Assurez-vous que le produit n'a pas subi des dommages ou de bris pendant le transport.
- Ne jetez pas l'emballage avant d'avoir inspecté le produit et avant d'avoir vérifié s'il fonctionne correctement.
- Si des pièces sont manquantes ou endommagées, veuillez appeler au 1-888-909-6757 pour obtenir de l'aide.

LISTE DE COLISAGE

- Tondeuse
- Accessoire de déchiquetage
- Sac arrière
- Déflecteur d'éjection latéral
- Manuel d'utilisation

A V E R T I S S E M E N T

Si certaines pièces sont manquantes ou endommagées, n'utilisez pas cet outil avant qu'elles aient été remplacées. Le non respect de cet avertissement peut entraîner des blessures graves.

A V E R T I S S E M E N T

N'essayez pas de modifier cet outil ou de créer des accessoires non recommandés pour les utiliser avec ce produit. De telles altérations ou modifications sont considérées comme un usage abusif et peuvent créer des conditions dangereuses, risquant d'entraîner des blessures graves.

A V E R T I S S E M E N T

Ne mettez pas sous tension avant de compléter l'assemblage. Le non respect de cet avertissement peut entraîner un démarrage accidentel et des blessures corporelles graves.

A V E R T I S S E M E N T

Si certaines pièces sont manquantes ou endommagées, n'utilisez pas cet outil avant qu'elles aient été remplacées. Le non respect de cet avertissement peut entraîner des blessures graves.

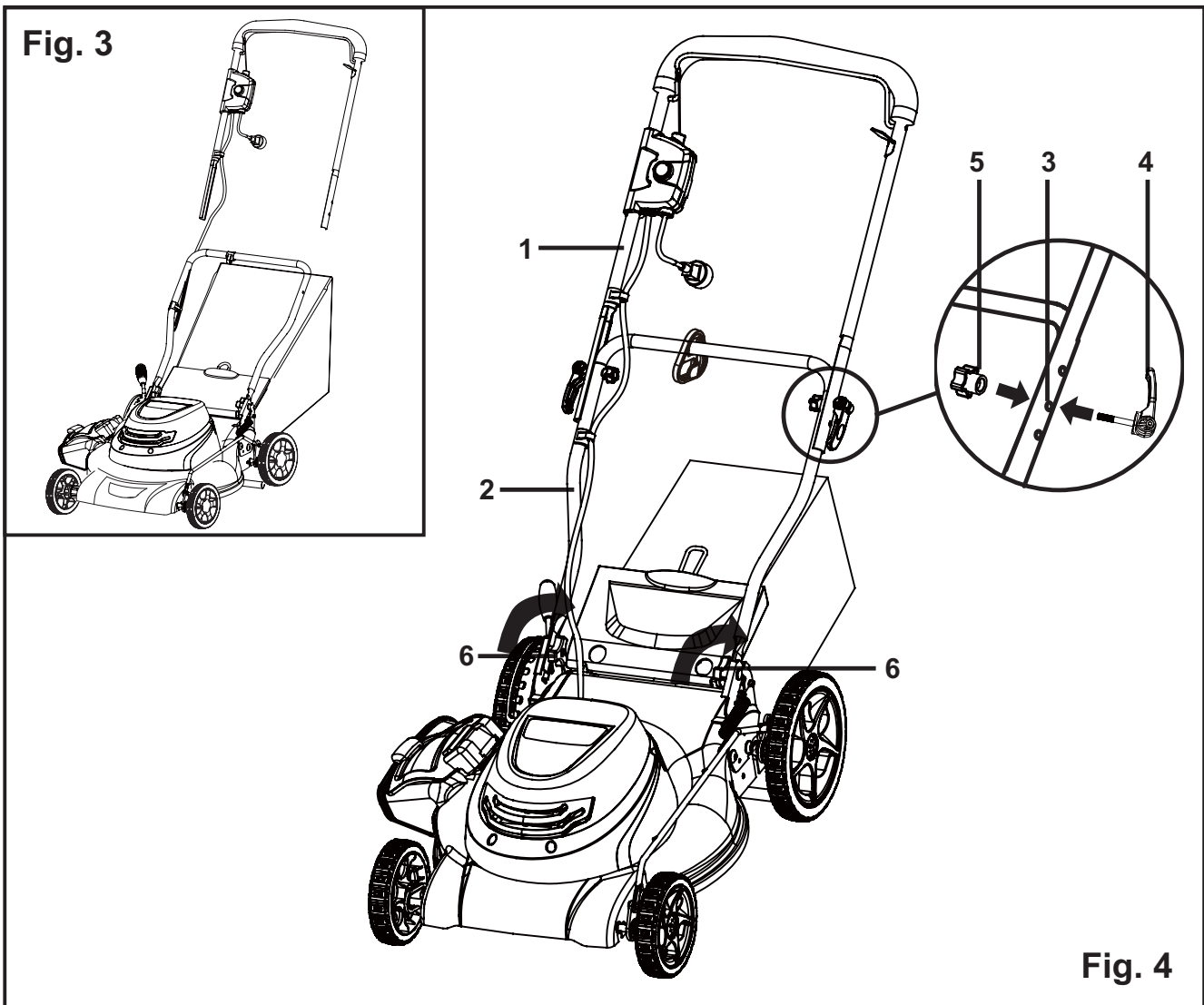
A V E R T I S S E M E N T

N'utilisez jamais la tondeuse sans les dispositifs de sécurité appropriés en place et en état de marche. N'utilisez jamais la tondeuse si les dispositifs de sécurité sont endommagés. Le non respect de cet avertissement peut entraîner des blessures corporelles graves.

ASSEMBLAGE

ASSEMBLAGE DU GUIDON (Voir figure 3.-4.)

- Retirez tout matériau d'emballage placé entre la partie supérieure et la partie inférieure du guidon pour le transport de l'appareil.
- Tirez la partie supérieure du guidon vers le haut et l'arrière pour que le guidon soit en position de travail. Assurez-vous que les poignées s'emboîtent bien en place. (Voir figure 3).
- Alignez les trous (3) situés entre les parties supérieure (1) et inférieure (2) du guidon. Insérez les dispositifs de blocages (4) et serrez-les à l'aide des écrous à oreilles (5) fournis.
- Fixez la poignée inférieure à la parenthèse avec l'écrou-papillon (6) dans chaque côté. (Voir figure 4).



ASSEMBLAGE

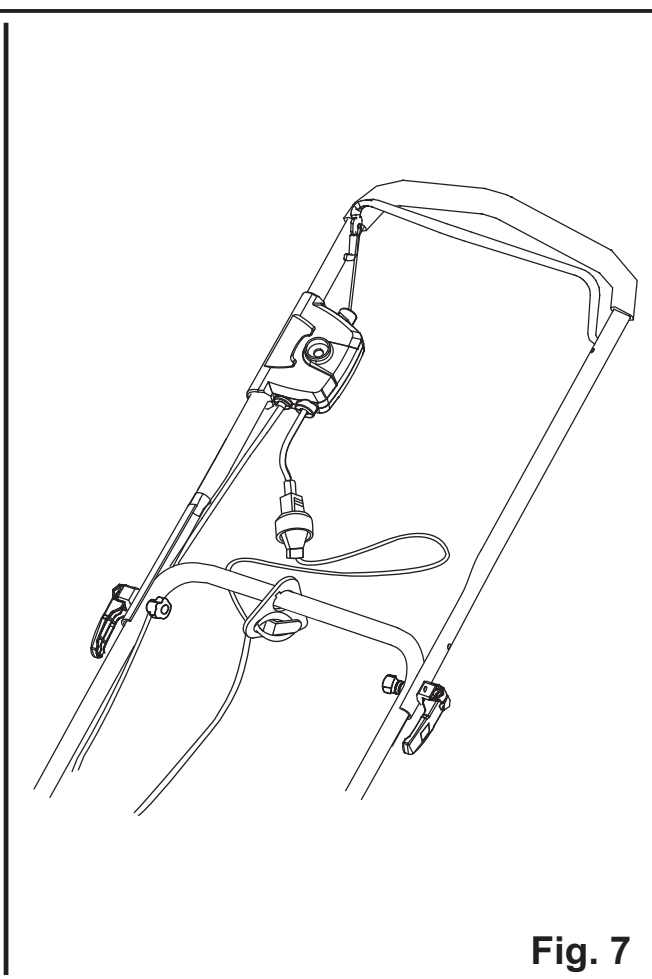
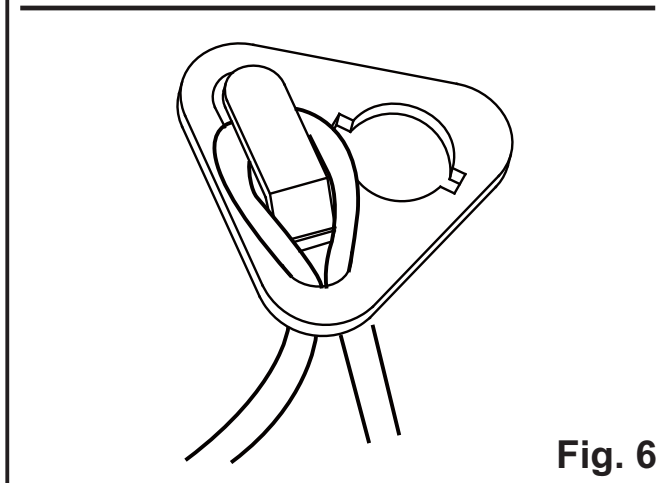
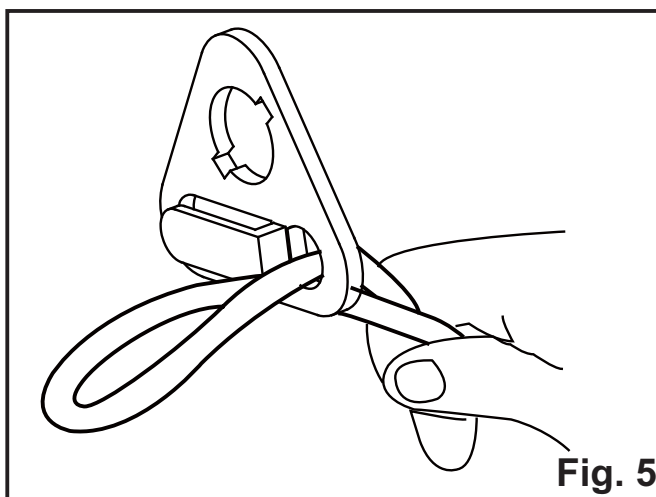
UTILISATION DU DISPOSITIF DE RETENUE DU CORDON (Voir figure 5.-7.)

La tondeuse est munie d'un dispositif de retenue du cordon pour éviter le débranchement du cordon de la souffleuse en cours d'utilisation. Le dispositif de retenue du cordon est accroché au guide.

NOTE: Ne branchez pas la rallonge dans une prise de courant avant que la rallonge soit connectée au dispositif de retenue et branchée à la tondeuse.

Pour utiliser le dispositif de retenue du cordon :

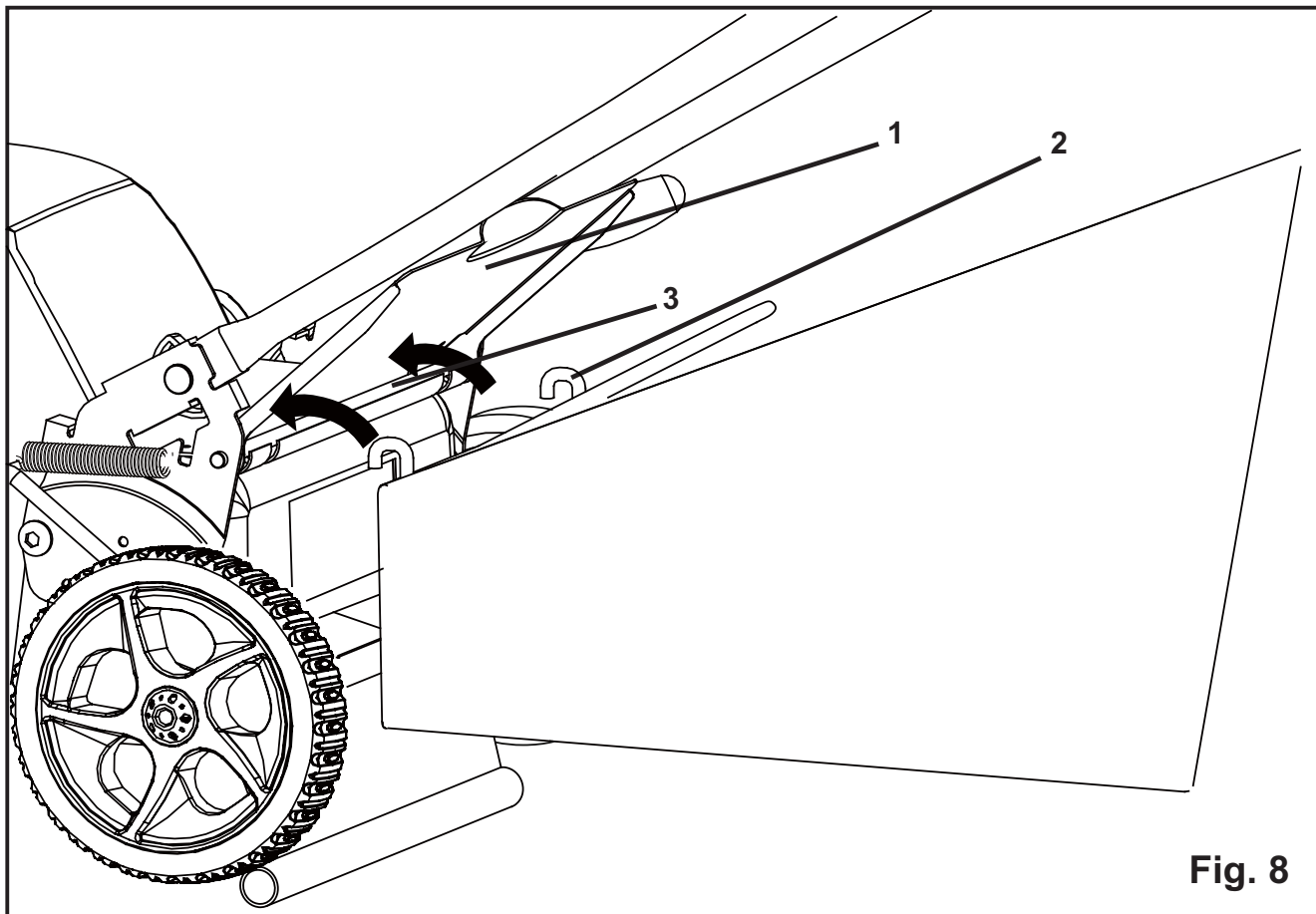
- Pliez la rallonge de manière à former une boucle solide près du dispositif de retenue.
- Poussez la boucle dans le trou inférieur du dispositif de retenue.
- Glissez la boucle autour de la pince de retenue et tirez jusqu'à ce que le cordon soit bien fixé.



ASSEMBLAGE

POSE DU SAC ARRIÈRE (Voir figure 8.)

- Levez le couvercle d'éjection arrière (1).
- Pendant que vous maintenez le couvercle soulevé , placez les crochets du sac arrière (2) de façon à les attacher à la tige (3) retenant le couvercle.



ASSEMBLAGE

INSTALLATION DU DÉFLECTEUR D'ÉJECTION LATÉRALE (Voir figure 9.)

- Levez le couvercle d'éjection latérale (1).
- Alignez les rainures sur le déflecteur (2) avec les goupilles sur le côté intérieur du couvercle.
- Abaissez le déflecteur jusqu'à ce que les crochets sur le châssis de la tondeuse soient bien insérés dans les ouvertures du déflecteur.
- Relâchez le déflecteur et le couvercle.

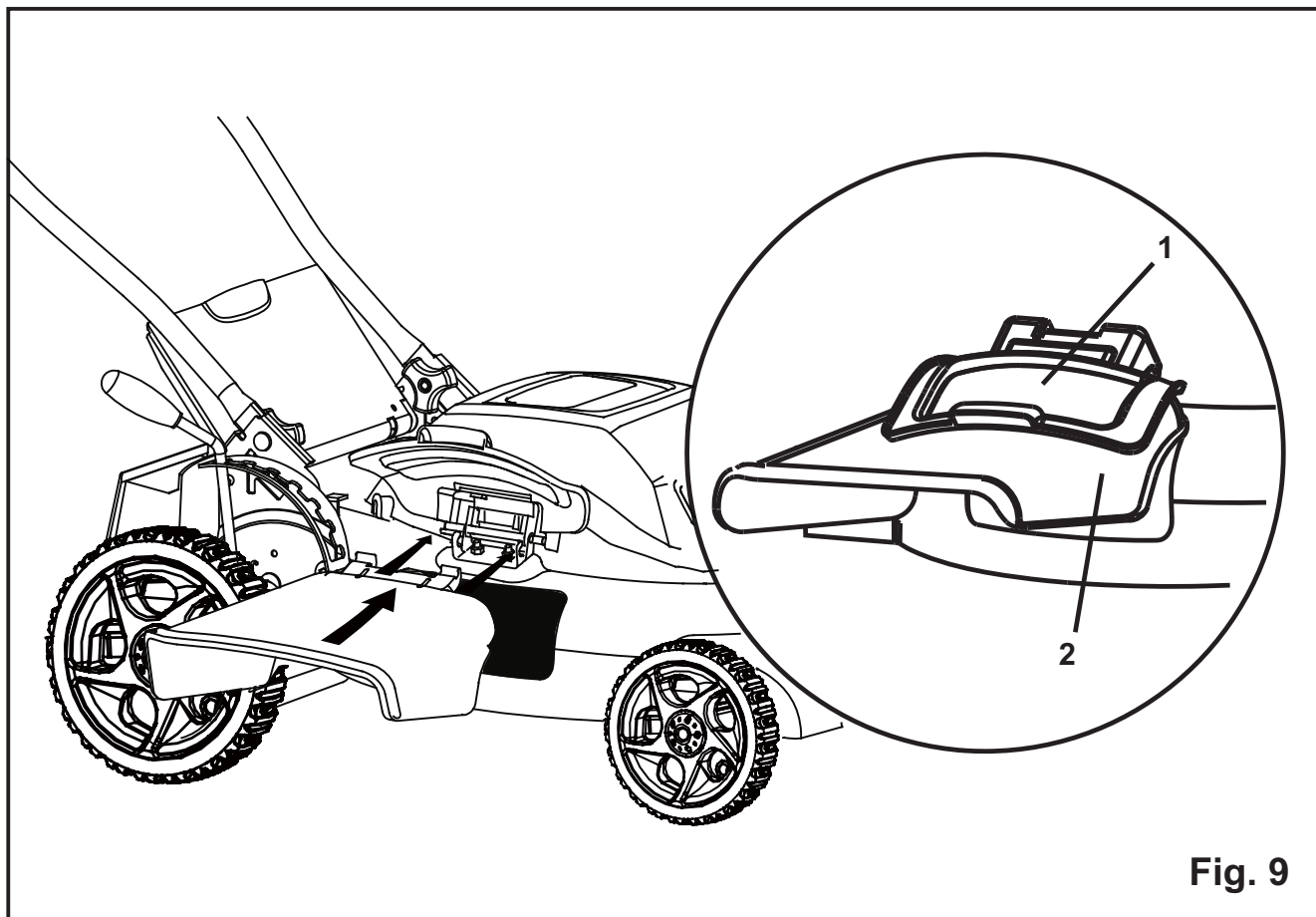


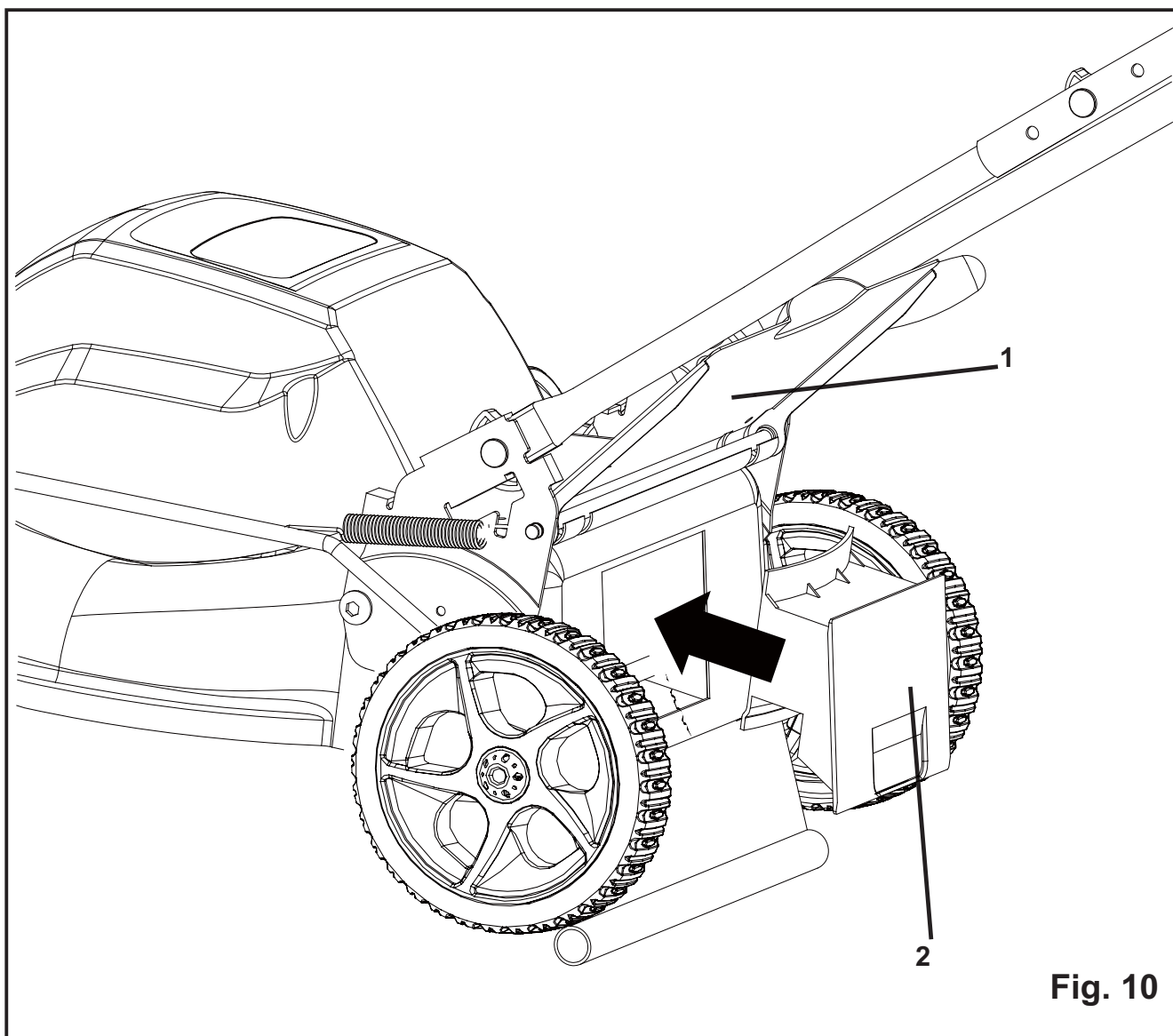
Fig. 9

ASSEMBLAGE

INSTALLATION DE L'INSERT BROYEUR (Voir figure 10.)

NOTE: Si vous utilisez l'insert broyeur, n'utilisez ni le déflecteur d'éjection latérale ni le collecteur d'herbe.

- Levez le couvercle d'éjection arrière (1).
- Attrapez l'insert broyeur par sa poignée (2) et inclinez-le à environ 15 degrés.
- Insérez l'insert dans l'ouverture d'éjection arrière.
- Abaissez le couvercle d'éjection arrière.



UTILISATION

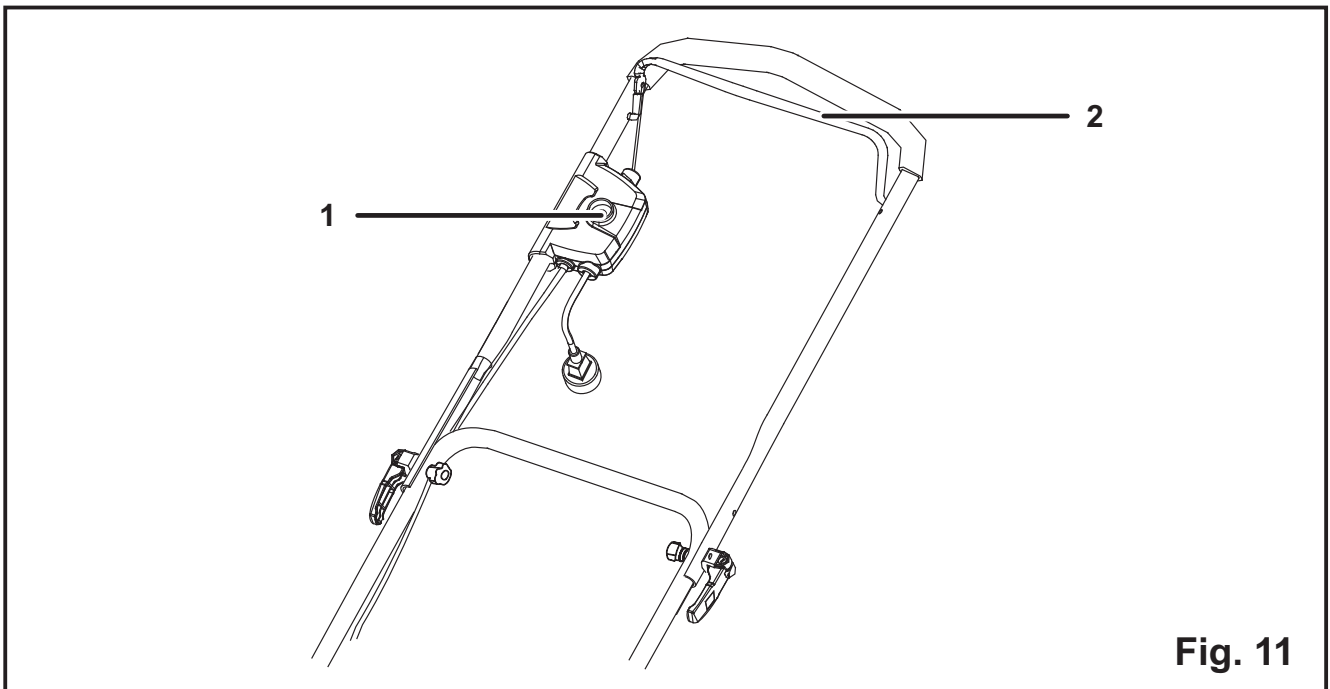
DÉMARRAGE ET ARRÊT DE LA TONDEUSE (Voir figure 11.)

Démarrage de la tondeuse :

- Branchez la tondeuse à une rallonge approuvée pour l'utilisation à l'extérieur.
- Appuyez sur le bouton de mise en marche (1) et maintenez le enfoncé.
- Saisissez la barre de sécurité (2) et pressez-la contre le guidon pour mettre l'appareil en marche.

Arrêt de la tondeuse :

- Relâchez la barre de sécurité.



⚠ ATTENTION

n'essayez pas de dépasser l'opération du levier ou du bouton de marche.

⚠ AVERTISSEMENT

une tondeuse peut projeter des objets en direction de vos yeux et vous blesser gravement. Pendant l'utilisation, le réglage ou la réparation d'une tondeuse, portez toujours des lunettes protectrices.

⚠ AVERTISSEMENT

tenez les enfants, les animaux et toute autre personne à une distance d'au moins 100 pi (30 m) lorsque la tondeuse fonctionne.

EXAMINEZ LA ZONE DE TRAVAIL.

Enlevez les pierres, les morceaux de bois et de fil métallique, les os, et tout autre objet qui pourrait être projeté par les lames rotatives de la tondeuse.

UTILISATION

RÉGLAGE DE LA HAUTEUR DE COUPE (Voir figure 12.)

Pour l'expédition, les roues de la tondeuse sont réglées à la position de coupe au ras du sol. Avant d'utiliser la tondeuse pour la première fois, réglez la position de coupe à la hauteur la mieux adaptée à votre pelouse. Une pelouse moyenne devrait avoir de 1 1/2 à 2 po (3,8 à 5 cm) pendant les mois de temps froid et entre 2 et 3 1/2 po (5 à 8,3 cm) pendant les mois de temps chaud.

Pour régler la hauteur de la lame :

- Pour augmenter la hauteur de la lame, attrapez le levier de réglage de la hauteur et poussez-le vers l'arrière de la tondeuse.
- Pour diminuer la hauteur de la lame, attrapez le levier de réglage de la hauteur et poussez-le vers l'avant de la tondeuse.

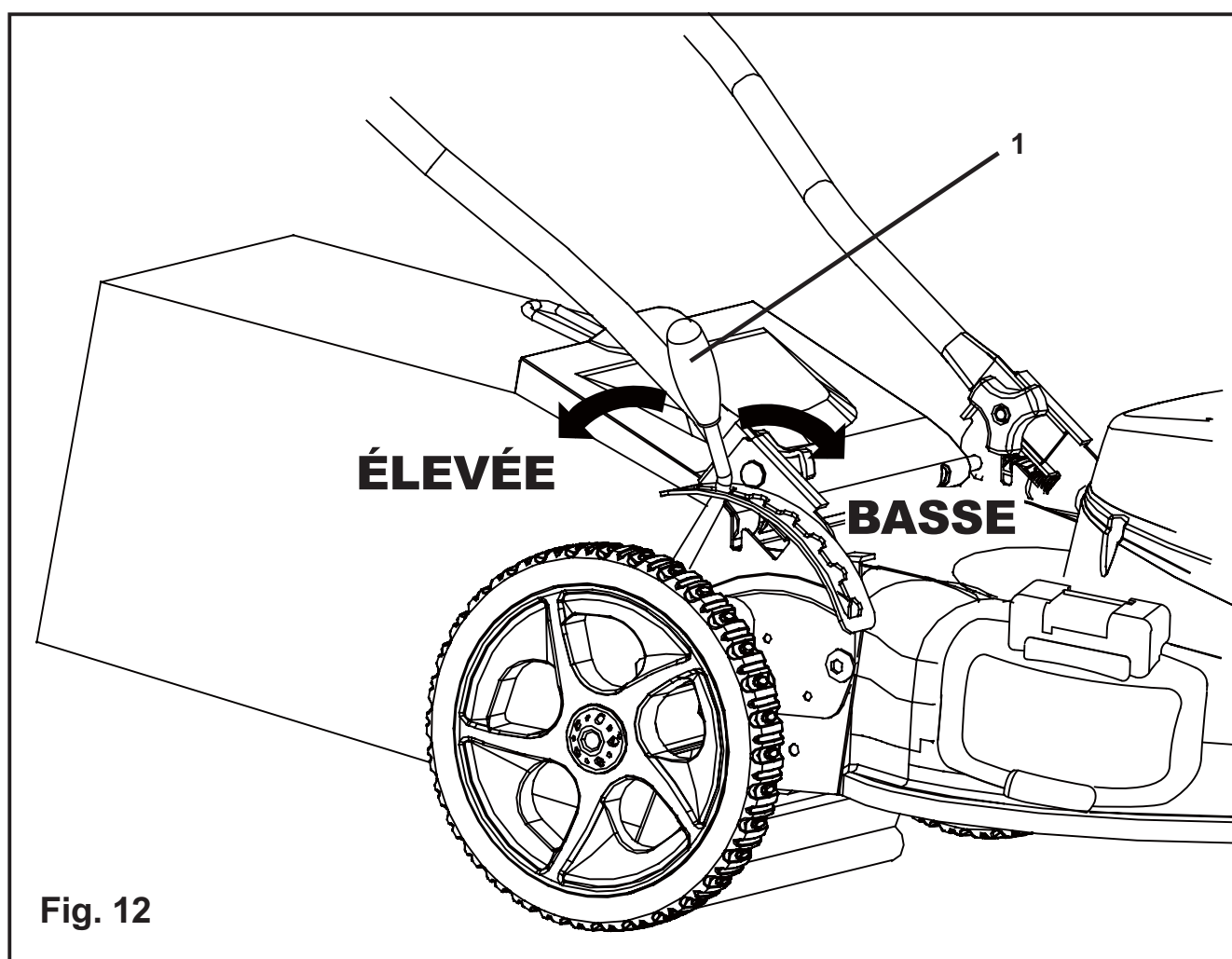


Fig. 12

UTILISATION

VIDAGE DU SAC ARRIÈRE (Voir figure 13.)

- Relâchez le levier de commande de la lame/du moteur pour arrêter la tondeuse. Attendez que la lame ait cessé de tourner.
- Soulevez le couvercle de la bouche d'évacuation.
- Soulevez le sac arrière par sa poignée pour le retirer de la tondeuse.
- Videz l'herbe du bac.
- Soulevez le couvercle de la bouche d'évacuation et remettez le sac arrière en place comme décrit plus haut dans ce manuel.



Fig. 13

UTILISATION

UTILISATION SUR LES PENTES

A V E R T I S S E M E N T

ne tondez pas dans une pente dont l'inclinaison est supérieure à 15 ° ou qui monte d'environ 2 1/2 pi (0,75 m) aux 10 pi (3 m). Tondez en vous déplaçant en travers de la pente, jamais de haut en bas ni de bas en haut.

- Les pentes sont un facteur majeur de glissements et de chutes accidentelles qui peuvent entraîner des blessures graves. L'utilisation de la tondeuse sur les pentes nécessite des précautions spéciales. Si vous ne vous sentez pas à l'aise sur une pente, ne la tondez pas. Pour votre sécurité, n'essayez pas de tondre des pentes de plus de 15 degrés.
- Tondez toujours les pentes transversalement, jamais en montant ou en descendant. Soyez particulièrement prudent lorsque vous changez de direction sur les terrains en pente.
- Faites attention aux trous, ornières, roches, objets cachés ou bosses qui peuvent provoquer un glissement ou une chute. De l'herbe haute peut cacher des obstacles. Enlevez tous les objets tels que les roches, les racines, etc. qui peuvent être projetés par la lame ou peuvent provoquer une chute.
- Veillez toujours à maintenir votre équilibre. Un glissement ou une chute peuvent causer une blessure grave. Si vous sentez que vous perdez l'équilibre, relâchez immédiatement la poignée de commande du moteur/de la lame.
- Ne tondez pas près des dépressions, des fossés ou des berges; vous pourriez perdre l'équilibre.

UTILISATION

CONSEILS SUR LA TONTE DU GAZON

NOTE: la tondeuse offrira un meilleur rendement si la lame est bien affûtée, particulièrement lorsque le gazon est haut. Examinez la lame et affûtez-la au moins une fois l'an de la façon décrite dans la section Entretien.

- Assurez-vous qu'il n'y a pas de pierres, de branches, de câbles ou d'autres objets sur le gazon qui pourraient endommager la lame, la tondeuse ou le moteur. La tondeuse pourrait éjecter ces objets dans n'importe quelle direction et blesser gravement l'utilisateur et d'autres personnes.
- Pour réduire le risque de choc électrique, n'exposez pas la tondeuse à l'eau et ne l'utilisez pas si le sol est mouillé.
- Commencez toujours à tondre à partir du point le plus près de la source d'alimentation électrique lorsque la rallonge est branchée. Ne tondez jamais en décrivant des cercles; effectuez des allers-retours en ligne droite sur le gazon, en vous éloignant de la prise de courant de façon à ce que la rallonge se trouve à l'arrière de la tondeuse, dans la partie déjà tondue et à l'extérieur de la trajectoire de la tondeuse.
- Ne laissez pas la rallonge s'enrouler autour des arbres, des arbustes ou d'autres obstacles. Lorsque vous ramassez la rallonge, créez des boucles de grosseur égale afin d'éviter de faire des noeuds dans la rallonge.
- Lorsque le gazon est dense, avancez plus lentement pour que la tondeuse coupe mieux et éjecte les débris de tonte plus efficacement. Pour obtenir une pelouse saine, coupez toujours un maximum de 1/3 de la longueur totale de l'herbe. En général, l'herbe devrait mesurer entre 1 1/2 à 2 po durant les mois frais, et entre 2 à 3 1/4 po durant les mois chauds. En automne, tondez le gazon s'il continue à pousser.

CONSEILS SUR LE DÉCHIQUETAGE

NOTE : INSPECTEZ TOUJOURS LA ZONE À TONDRE ET ENLEVEZ LES PIERRES, LES BRANCHES, LES CÂBLES, LES OS ET AUTRES DÉBRIS QUI POURRAIENT ÊTRE ÉJECTÉS PAR LA LAME.

- Lorsque vous traversez une zone recouverte de gravier, relâchez le levier de commande de la lame/du moteur, car la lame pourrait projeter du gravier.
- Pour tondre une zone où l'herbe est longue ou en friche, réglez la tondeuse à la hauteur de coupe la plus élevée.
- Pour un déchiquetage efficace, ne tondez pas le gazon s'il est mouillé, car les brindilles auront tendance à coller sous le plateau de tonte et à nuire au déchiquetage. Il peut être nécessaire de tondre plus court le gazon épais ou nouvellement semé. Ajustez votre vitesse à l'état du gazon. Si vous avez laissé le gazon pousser à une hauteur supérieure à 4 po (10 cm), tondez-le deux fois afin de réduire le gazon à une hauteur maximale de 3 1/4 po (8,3 cm).
- Avancez à bonne vitesse et à un rythme régulier. Faites en sorte que les rangées de tonte se chevauchent. Ne laissez pas le gazon trop pousser. Si le gazon a trop poussé, commencez à le tondre à la position la plus élevée, pour passer par étapes à la hauteur de coupe voulue.

A V E R T I S S E M E N T

si la tondeuse frappe un objet, arrêtez le moteur et enlevez la batterie. Vérifiez bien si la tondeuse est endommagée et, s'il y a lieu, réparez les pièces endommagées avant d'utiliser de nouveau la tondeuse. Si la tondeuse vibre de façon excessive pendant son utilisation, c'est qu'elle a été endommagée; faites-la inspecter et réparer sans délai.

ENTRETIEN

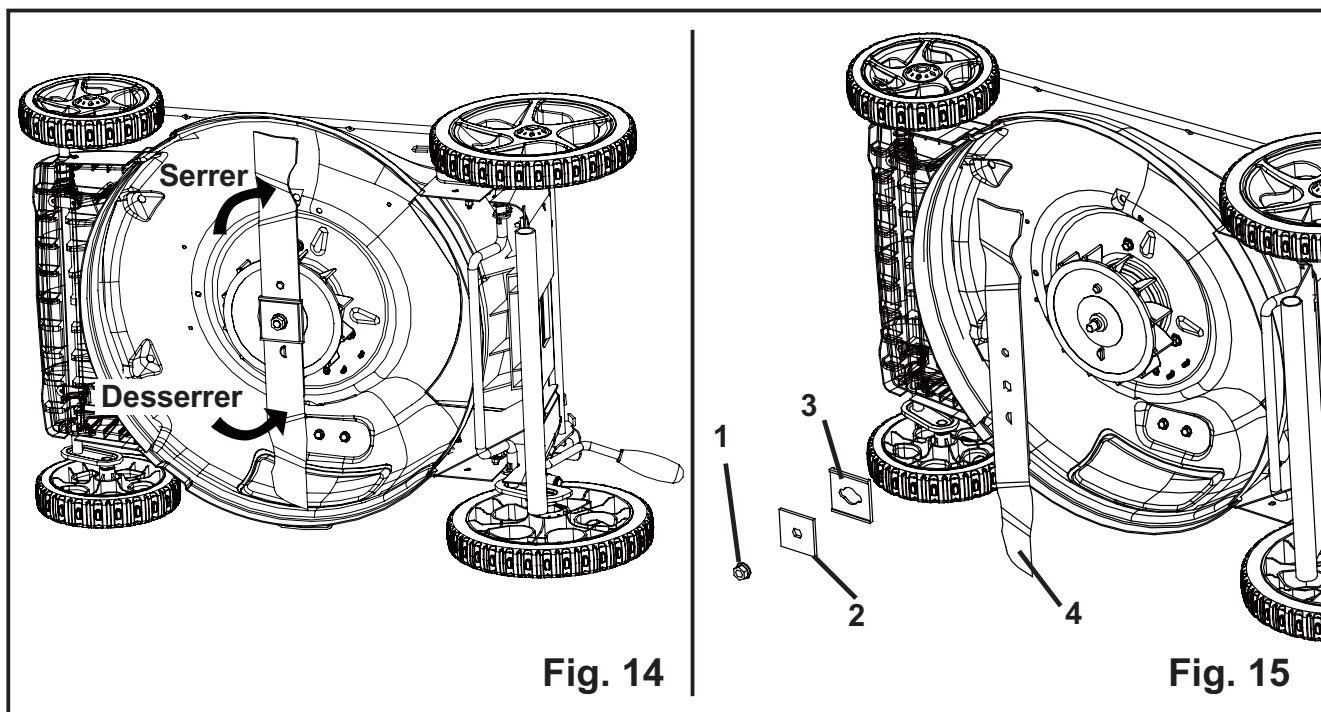
REPLACEMENT DE LA LAME (Voir figure 14.-15.)

⚠ A V E R T I S S E M E N T

avant de faire l'entretien des lames, protégez-vous toujours les mains en portant des gants épais ou en enveloppant les lames avec des chiffons ou autres matériaux épais.

Pour vous procurer une lame de rechange, choisissez le produit GREENWORKS.

- Relâchez le levier de commande de la lame/du moteur pour arrêter la tondeuse. Attendez que la lame ait cessé de tourner.
- Enfilez des gants de cuir rembourrés. Coincez un bloc de bois entre la lame et le plateau de tonte pour éviter que la lame tourne pendant que vous enlevez l'écrou.
- À l'aide d'une clé ordinaire ou à douilles de 15 mm, desserrez l'écrou de la lame (1) et retirez la lame (4). Faites tourner l'écrou **DANS LE SENS INVERSE DES AIGUILLES D'UNE MONTRE** pour le desserrer et **DANS LE SENS DES AIGUILLES D'UNE MONTRE** pour le serrer .
- Enlevez l'écrou de la lame (1), la rondelle à section carrée (2), la rondelle isolante (3) et la lame.
- Pour réassembler le tout, positionnez d'abord la lame, les arêtes coupantes vers le sol. Placez l'écrou de la lame, la rondelle à section carrée et la rondelle isolante tel qu'il est illustré ci-dessous. À l'aide d'une clé dynamométrique de 15 mm, serrez l'écrou de la lame en le faisant tourner **DANS LE SENS DES AIGUILLES D'UNE MONTRE** afin de bien fixer la lame en place.



NOTE: veillez à replacer les pièces en suivant exactement l'ordre inverse de celui dans lequel elles ont été enlevées. Lorsque vous installez la lame, assurez-vous de la positionner avec les extrémités incurvées pointant vers le plateau de tonte, et non vers le sol. Consultez la vue éclatée à la page 28 de ce guide.

ENTRETIEN

NETTOYAGE DE LA TONDEUSE

A V E R T I S S E M E N T

pour réduire le risque de choc électrique, n'exposez pas la tondeuse à l'eau.

Le dessous du plateau de tonte devrait être nettoyé après chaque utilisation, car de l'herbe, des feuilles, de la terre et d'autres débris s'y accumulent, causant ainsi de la rouille et de la corrosion.

- Enlevez toute accumulation d'herbe et de feuilles sur le dessus et autour du couvercle du moteur (n'utilisez pas d'eau à cette fin). À l'occasion, nettoyez la tondeuse à l'aide d'un linge sec.
- Si des débris s'accumulent sous le plateau de tonte, arrêtez le moteur et débranchez-le de la source d'alimentation. Renversez la tondeuse vers l'avant ou sur le côté, puis enlevez les débris à l'aide d'un outil approprié.

REMISAGE

Suivez ces étapes pour préparer la tondeuse en vue du remisage :

- Assurez-vous que le cordon d'alimentation est débranché.
- Nettoyez la tondeuse selon les instructions de la section précédente. Inspectez et remplacez/affûtez la lame, au besoin. Consultez la section Entretien.
- Lubrifiez la tondeuse. Consultez la section Entretien.
- Rangez la tondeuse dans un endroit sec et propre. Ne la rangez pas près de matières corrosives telles que l'engrais et le sel déglaçant.
- Nettoyez la rallonge à l'aide d'un torchon pour enlever les substances collées, par exemple l'huile ou les taches. Remplacez la rallonge si elle est coupée ou endommagée. Enroulez la rallonge en boucles d'égale grandeur afin d'éviter qu'elle s'emmêle.
- Remisez la tondeuse à l'intérieur, dans un endroit frais et sec, hors de la portée des enfants. Ne couvrez pas la tondeuse avec une bâche de plastique plein. En emprisonnant l'humidité autour de la tondeuse, les bâches de plastique favorisent la rouille et la corrosion. Vous pouvez replier le guidon complètement pour le remisage.
- Desserrez les boutons de serrage situés sur les côtés du guidon, puis repliez la partie supérieure du guidon.

Vous pouvez plier le guidon pour remiser la tondeuse.

- Déverrouillez les dispositifs de blocage de chaque côté du guidon supérieur et pliez ce dernier vers le bas.
- Desserrez les boutons du guidon, poussez vers l'intérieur sur chaque côté de la poignée inférieure et levez les côtés de la poignée inférieure derrière les bords des supports de montage de la poignée. Pliez la poignée inférieure vers l'avant en vous assurant de ne pas plier ou tordre le cordon d'alimentation.

DÉPANNAGE

PROBLÈME	CAUSE POSSIBLE	SOLUTION
Le guidon ne tient pas bien en place.	Les boulons du chariot ne sont pas bien en place. La bouton n'est pas serrée.	Ajustez la hauteur de la poignée et assurez-vous que les boulons du chariot sont bien en place. Serrez la bouton.
La tondeuse ne démarre pas.	La rallonge n'est pas branchée dans la fiche de la tondeuse. La rallonge n'est pas branchée à la prise de courant. Le levier de commande du moteur/de la lame est défectueux.	Branchez la rallonge dans la fiche de la tondeuse. Branchez la rallonge à une prise de courant CA 120 V, 60 Hz. Faites remplacer le levier de commande du moteur/de la lame.
La tondeuse coupe de façon inégale.	La pelouse est inégale ou en friche. La hauteur de coupe est mal réglée.	Augmentez la hauteur de coupe. Pour que la tondeuse coupe uniformément, toutes les roues doivent se trouver à la même position.
La tondeuse ne déchiquette pas bien.	Des brins d'herbe collent sous le plateau de tonte.	Attendez que la pelouse sèche avant de la tondre.
La tondeuse est difficile à pousser.	Le gazon est long, ou encore, la hauteur de coupe est trop basse. L'arrière de la tondeuse et la lame frottent contre l'herbe dense.	Augmentez la hauteur de coupe.
La tondeuse vibre à haute vitesse.	La lame est déséquilibrée. L'arbre du moteur est tordu.	Équilibrez la lame en meulant chaque arrête d'une façon égale. Arrêtez le moteur, enlevez la clé de sûreté et examinez les dommages Réparez la tondeuse avant de l'utiliser de nouveau. Si la vibration persiste, appelez la ligne d'assistance téléphonique sans frais au 1-888-909-6757.

GARANTIE DE RÉPARATION DE 3 ANS



greenworks

Ce produit est garanti par les présentes pour une période de trois (3) ans par GREENWORKS au premier acheteur sur présentation d'une preuve d'achat, contre tout défaut causé par des vices de matériaux, de pièces ou de fabrication. GREENWORKS, à sa discrétion, procédera aux réparations ou au remplacement des pièces défectueuses montrant une utilisation normale, sans frais pour le client. Cette garantie n'est valide que pour les unités destinées à un usage personnel ou qui n'ont pas été louées ou utilisées à des fins industrielles ou commerciales et qui ont été entretenues selon les instructions du guide d'utilisation remis à l'achat du produit.

LES ARTICLES PAS COUVERT PAR GARANTIE :

1. Toute pièce qui devient défectueuse en raison de mauvaise utilisation, d'utilisation à des fins commerciales, d'usage abusif, de négligence, d'accidents, de mauvais entretien ou d'altérations; ou
2. L'appareil s'il n'a pas été utilisé et/ou entretenu conformément aux instructions contenues dans le manuel; ou
3. L'usure normale sauf dans les cas mentionnés ci-dessous; ou
4. Les travaux d'entretien courant tels que la lubrification, l'affûtage de la lame; ou
5. La détérioration normale du fini extérieur due à l'utilisation ou à l'exposition.

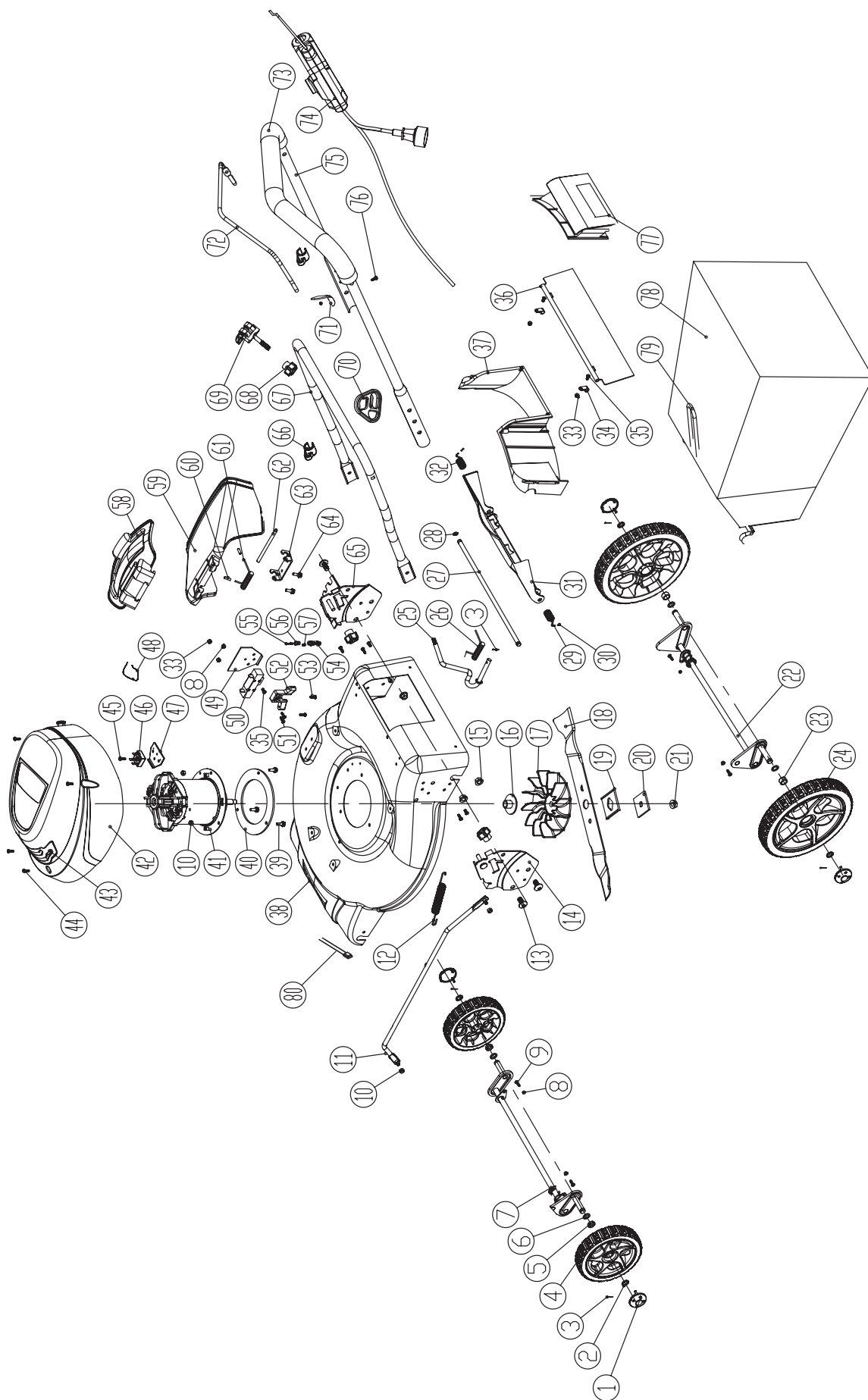
GREENWORKS SERVICE D'ASSISTANCE (1-888-90WORKS):

Le service de garantie est disponible en appelant notre service d'assistance gratuit, 9 h à 5 de l'après-midi. EST. Le lundi – vendredi à **1-888-909-6757 (1-888-90WORKS)**

FRAIS DE TRANSPORT :

Les frais de transport de tout appareil motorisé ou accessoire connexe sont la responsabilité de l'acheteur. Dans le cadre de la présente garantie, les frais de transport de toute pièce retournée pour remplacement doivent être payés par l'acheteur à moins qu'un tel retour ne soit à la demande écrite de GREENWORKS.

VUE ÉCLATÉE



LISTE DES PIÈCES

NO DE RÉF.	NO DE PIÈCE	DESCRIPTION	QTÉ
1	34106488	Couvercle de roue	4
2	3220898	Rondelle	4
3	3290135	Broche \varnothing 2.5	5
4	31102488	Roue 7 po	2
5	3320639	Douille d'ecartement de roue	2
6	3330384	Rondelle	4
7	333071161	Essieu roue avant	1
8	3220439	Contre-écrou M5	4
9	3220575	Vis M5x10	4
10	3220537	Contre-écrou M6	5
11	33303227-7	Baguette jointive	1
12	3340137-2	Ressort de rallonge	1
13	3221637	Boulon M10x20	4
14	33302222	Support de réglage de la hauteur, gauche	1
15	3220737	Écrou M10	4
16	3320238A	Recouvrement de la broche	1
17	3410237	Ventilateur	1
18	33313250-1	Lame	1
19	3410535	Isolant de lame	1
20	3331435A	Écarteur	1
21	3221037A	Écrou de lame	1
22	31102222	Essieu roue arrière	1
23	3320237	Douille d'ecartement de roue	2
24	31103488	Roue 10 po	2
25	31103222	Arbre de réglage de la hauteur	1
26	33401222	Ressort de torsion	1
27	3320138-1	Goupille d'éjection arrière	1
28	3290506	Bague de rondelle	1
29	33304235	Ressort de torsion arrière, gauche	1
30	3420436	Douille	3
31	34103236	Couvercle d'ejection arrière	1
32	33302235	Ressort de torsion arrière, droit	1
33	3221237	Contre-écrou M4	3
34	333061161-1	Cavalier	2
35	3220511	Vis M4x12	3
36	34127229	Clapet arrière	1
37	34106236	Déflexeur arrière	1
38	31301227-3	Chassis de la tondeuse	1
39	32205227	Boulon M6x18	3
40	34203227	Anneau en caoutchouc	1
41	T0300041- 00	Moteur	1

LISTE DES PIÈCES

NO DE RÉF.	NO DE PIÈCE	DESCRIPTION	QTÉ
42	34103222-3	Couvercle de moteur	1
43	34105222-6	Prise d'air moteur	1
44	3220435	Vis M5×15	4
45	3220404	Vis ST4.2×25-F	1
46	3690153	Redresseur	1
47	3331035	Redresseur de radiateur	1
48	3111135	Cordon assemblée	1
49	33301475	Radiateur a resistance	1
50	369011161	Resistance	1
51	3220850	Vis M5x20	2
52	3410290-1	Support de résistance	1
53	3220951	Vis ST 5x16-C	2
54	3410137	Guide de cordon	1
55	3220505	Vis ST4×16-F	4
56	3410403	Retenue du cordon	1
57	3221137	Vis M5x12	1
58	3410338-4	Couvercle d'éjection latérale	1
59	3410438-3	Déflexeur d'éjection latérale	1
60	3420207	Manchon en caoutchouc	2
61	3340237-1	Ressort de torsion	1
62	3320338A	Goupille d'éjection latérale	1
63	3330637A	Support d'éjection latérale	1
64	3220136	Boulon M6x8	2
65	33305222	Support de réglage de la hauteur, gauche	1
66	34135469A	Guide de cordon	2
67	33301489	Poignée inférieure	1
68	34106467-1	Bouton	4
69	31102467-2	Serrure de came assemblée	2
70	34120227	Retenue du cordon	1
71	33323250-1	Libérer sous caution l'arrêt	1
72	33305469-3	Barre de sécurité	1
73	34135486	Prise en mousse	1
74	31102489A	Boîte d'engagement du moteur	1
75	33310470-2	Supérieure du guidon	1
76	32208234	Boulon M5x30	1
77	34104236	Insert broyeur	1
78	34902237-6	Collecteur d'herbe	1
79	33301237	Chassis du collecteur d'herbe	1
80	363012329	Le dispositif de protection	1

greenworks

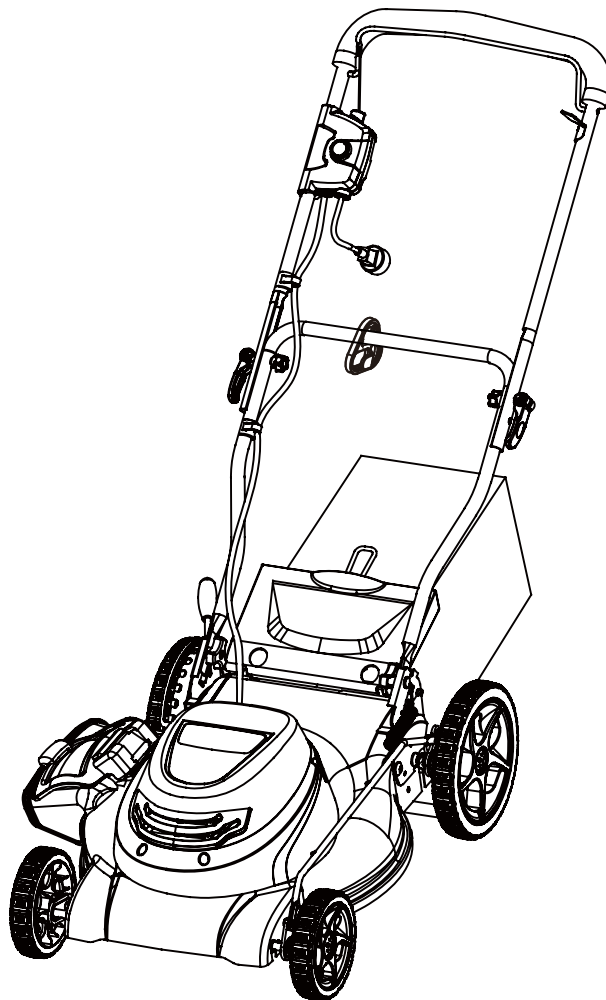
Greenworks Tools
P.O. Box 1238
Mooresville, NC 28115

Greenworks Tools Canada Inc.
1110 Stellar Drive Unit 102
Newmarket, ON, L3Y 7B7

LIGNE D'ASSISTANCE SANS FRAIS : 1-888-90WORKS (888-909-6757)

greenworks

PODADORA ELÉCTRICA DE CÉSPED DE 20 PULGADAS 25022



Manual del Propietario

LÍNEA DE AYUDA GRATUITA: 1-888-90WORKS (888-909-6757)

www.GreenWorksTools.com

! Antes de hacer funcionar esta herramienta, lea cuidadosamente todas las reglas de seguridad y las instrucciones.

ÍNDICE

Índice.....	2
Especificaciones del producto	2
Información sobre seguridad	3-6
Símbolos.....	7-8
Aspectos eléctricos.....	9-10
Conozca su podadora.....	11
Armado	12-17
Funcionamiento	18-22
Mantenimiento	23-24
Almacenamiento	25
Corrección de problemas.....	26
Garantía.....	27
Vista desarrollada.....	28
Lista de piezas.....	29-31

ESPECIFICACIONES DEL PRODUCTO

PODADORA ELÉCTRICA DE CÉSPED DE 20 PULGADAS

Motor	120 V, sólo corr. alt., 60 Hz, 12 A
Velocidad.....	3,600 rpm
Línea de corte	20 pulgadas (50,8 cm)
Ajustes de altura.....	3,8–9,5 cm (1 1/2–3 3/4 pulg.)
Funciones .. 3-en-1: triturado de compuesto orgánico, almacenaje trasero, descarga lateral	
Peso	56 lbs (25,4 kg)



INFORMACIÓN DE SEGURIDAD

IIISTRUCCIONES IMPORTANTES DE SEGURIDAD

I M P O R T A N T E

LEA Y COMPRENDA TODAS LAS INSTRUCCIONES. El incumplimiento de las instrucciones señaladas abajo y en la máquina puede causar descargas eléctricas, incendios y/o lesiones serias.

- Esta máquina de corte es capaz de amputar manos y pies, y de lanzar objetos. La inobservancia de todas las instrucciones de seguridad puede causar lesiones serias o la muerte.
- No use la podadora de pasto en condiciones húmedas o mojadas ni la utilice en la lluvia.
- Nunca permita que adultos utilicen el producto sin el debido aprendizaje.
- Mantenga alejados del área a todos los circunstantes, niños y mascotas al podar. Detenga la máquina si alguien entra en el área.
- Pueden producirse accidentes trágicos si el operador no está alerta a la presencia de niños. Los niños suelen sentirse atraídos por la máquina y la actividad de la podadora. Nunca dé por sentado que los niños permanecerán donde los vio por última vez.
 - Mantenga a los niños alejados del área de podado y bajo la cuidadosa supervisión de un adulto responsable que no sea el operador.
 - Esté alerta y apague la podadora si un niño entra en el área.
 - Nunca permita que un niño utilice la máquina.
 - Tenga cuidado extremo al acercarse a esquinas ciegas, arbustos, árboles u otros objetos que puedan impedirle ver a un niño.
- No use ropas holgadas ni joyas. Pueden engancharse en las piezas móviles. Se recomienda el uso de guantes y calzado al trabajar al aire libre.
- Mantenga los pies bien afirmados y el equilibrio. No se estire demasiado. Al tratar de hacerlo puede perder el equilibrio.
- No accione el equipo cuando esté descalzo o al llevar puestas sandalias o calzado liviano similar. Use calzado de seguridad que le proteja sus pies y mejore su postura en superficies resbaladizas.
- No deje desatendida la podadora de pasto mientras la tenga encendida.
- Mantenga las manos y los pies alejados del área de corte. Manténgase alejado de la abertura de descarga en todo momento.
- Utilice la podadora de pasto únicamente a la luz del día o con buena luz artificial.
- Siempre use anteojos de seguridad con protección lateral. Los anteojos comunes sólo tienen lentes resistentes a los impactos. NO son gafas de seguridad. Con el cumplimiento de esta regla se reduce el riesgo de posibles lesiones oculares. Use una careta si la operación genera mucho polvo.
- Al utilizar este producto póngase anteojos de seguridad o gafas protectoras marcados con el sello de cumplimiento de la norma ANSI Z87.1.

INFORMACIÓN DE SEGURIDAD

- Utilice el aparato adecuado para la tarea. No utilice la podadora de pasto para ninguna función diferente de las especificadas.
- No fuerce la podadora de pasto. Efectúa el trabajo mejor y de manera más segura, si se utiliza a la velocidad para la que está diseñada.
- Permanezca alerta, preste atención a lo que esté haciendo y use el sentido común al utilizar la podadora de pasto. No utilice la podadora cuando está cansado o bajo la influencia de drogas, alcohol o medicamentos. Un momento de descuido al utilizar la podadora de pasto puede causar lesiones serias.
- Mantenga la máquina en buenas condiciones de trabajo. Mantenga las cuchillas afiladas, y las protecciones en su lugar y en buenas condiciones de trabajo.
- Revise el apriete de todas las tuercas, pernos y tornillos con frecuencia para verificar la seguridad de las condiciones de funcionamiento del equipo.
- Apague el motor y espere hasta que la cuchilla se detenga completamente antes de limpiar la podadora de pasto, retirar el receptor de césped o desatascar la protección de descarga.
- Cuando no está en uso, la podadora debe guardarse en el interior, en un lugar seco y cerrado con llave, lejos del alcance de los niños.
- Para reducir el riesgo de una descarga eléctrica, este producto dispone de una clavija polarizada (una patilla es más ancha que la otra) y requiere un cordón de extensión polarizado. La clavija entra sólo de una forma en el enchufe de un cordón de extensión polarizado. Si la clavija no entra completamente en el enchufe del cordón de extensión, invierta la posición de la misma. Si aún así no entra la clavija, obtenga un cordón de extensión polarizado correcto. Un cordón de extensión polarizado requiere el uso de una toma de pared polarizada. Esta clavija entra sólo de una forma en la toma de pared polarizada. Si la clavija no entra completamente en la toma de pared, invierta la posición de la clavija. Si aún así no entra la clavija, contrate a un electricista calificado para encargarle la instalación de una toma de pared adecuada. No cambie de ninguna manera la clavija del equipo, ni el receptáculo o la clavija del cordón de extensión.
- No maltrate el cordón. Nunca use el cordón para tirar de la podadora de pasto ni para sacar la clavija de una toma. Mantenga el cordón alejado del calor, del aceite de bordes afilados y de piezas móviles. Cambie de inmediato todo cordón dañado. Los cordones dañados aumentan el riesgo de descargas eléctricas.
- Asegúrese de que esté en buen estado el cordón de extensión. Al utilizar un cordón de extensión, utilice uno del suficiente calibre para soportar la corriente que consume el producto. Se recomienda que los conductores sean de calibre 14 (A.W.G.) por lo menos, para un cordón de extensión de 15,2 m (50 pies) de largo o menos. Si tiene dudas, utilice un cordón del calibre más grueso siguiente. Cuanto menor es el número de calibre, mayor es el grueso del cordón. Un cordón de un calibre insuficiente causa una caída en el voltaje de línea, y produce recalentamiento y pérdida de potencia.
- **ADVERTENCIA:** Use cordones de extensión para exteriores que lleven las marcas SW-A, SOW-A, STW-A, STOW-A, SJW-A, SJTW-A o SJTOWA. Estos cordones están aprobados para el uso en el exterior y reducen el riesgo de descargas eléctricas.

REGLAS DE SEGURIDAD GENERALES

- Los circuitos o las tomas donde se conecta esta podadora de pasto deben estar protegidos con un interruptor de circuito accionado por falla de conexión a tierra (GFCI). Hay

INFORMACIÓN DE SEGURIDAD

receptáculos con la protección de un GFCI integrado, y pueden utilizarse para contar con esta característica de seguridad.

- Inspeccione periódicamente los cordones de extensión y reemplácelos si están dañados. Mantenga los mangos secos, limpios y sin aceite ni grasa.

REGLAS DE SEGURIDAD ESPECÍFICAS

- No utilice la podadora si no tiene el receptor de césped, la protección de descarga, la protección posterior y cualquier otro dispositivo de seguridad colocado y en funcionamiento.
- Siga las instrucciones del fabricante para el correcto manejo e instalación de los accesorios. Sólo utilice accesorios aprobados por el fabricante.
- Despeje el área de trabajo cada vez antes de utilizar esta herramienta. Retire todos los objetos como piedras, palos, alambre, huesos, juguetes u otros objetos que puedan ser lanzados por la cuchilla. Permanezca detrás del mango mientras el motor esté en funcionamiento.
- Evite pozos, surcos, montículos, rocas u otros objetos ocultos. El terreno desnivelado puede causar un accidente por resbalón y caída.
- No pade el pasto cerca de precipicios, zanjas o terraplenes.
- Pade atravesando el frente de las pendientes; nunca hacia arriba ni hacia abajo. Tenga mucha precaución al cambiar de dirección en una pendiente.
- Planifique su patrón de podado para evitar la descarga de material en caminos, aceras, circunstantes y demás. Además, evite descargar material contra una pared u obstrucción que pueda hacer que el material rebote hacia el operador.
- No pade el césped cuando esté mojado ni en pendientes excesivamente empinadas. Una postura mal afirmada puede causar un accidente por resbalón y caída. Camine, no corra nunca.
- Tenga cuidado extremo al acercarse a esquinas ciegas, arbustos, árboles u otros objetos que puedan impedirle ver.
- No tire de la podadora hacia atrás a menos que sea absolutamente necesario. Si debe retroceder la podadora para alejarla de una pared u obstrucción, primero mire hacia abajo y hacia atrás para evitar tropezar.
- Nunca dirija el material descargado hacia una persona. Evite descargar el material contra una pared u obstrucción. El material puede rebotar hacia el operador. Detenga la cuchilla cuando cruce por superficies de grava.
- Los objetos golpeados por la cuchilla de la podadora de pasto pueden causar graves heridas a las personas. Siempre debe examinarse el pasto con cuidado y despejarlo de cualquier objeto antes de cada poda.
- Si la podadora de pasto golpea un objeto extraño, siga estos pasos:
 - Apague la podadora de pasto y suelte la palanca de control del interruptor.
 - Desconecte el cordón eléctrico.
 - Inspeccione minuciosamente la podadora para ver si tiene daños.
 - Repare todo daño antes de volver a arrancar la podadora y continuar utilizándola.
- Apague el motor, desconecte la clavija de la fuente de corriente y espere hasta que la cuchilla se detenga por completo antes de retirar el receptor de césped o desobstruir el vertedero.

INFORMACIÓN DE SEGURIDAD

La cuchilla continúa girando durante algunos segundos después de que se apaga el motor. Nunca coloque ninguna parte del cuerpo en el área de la cuchilla hasta que esté seguro de que la cuchilla ha dejado de girar.

- Desconecte la clavija de la fuente de corriente antes de efectuar ajustes, cambiar accesorios o guardar la podadora de pasto. Con tales medidas preventivas de seguridad se reduce el riesgo de poner en marcha accidentalmente el producto.
- Si la podadora comienza a vibrar de manera anormal, detenga el motor e inspecciónela inmediatamente para determinar la causa. La vibración es generalmente una advertencia de problemas.
- Sólo personal de reparación calificado debe dar servicio al producto. Todo servicio o mantenimiento efectuado por personal no calificado puede significar un riesgo de lesiones al usuario, y de daños físicos al producto.
- Al dar servicio a este producto, sólo utilice piezas de repuesto idénticas. El empleo de piezas no autorizadas puede significar un riesgo de lesiones serias al usuario, o de daños físicos al producto.
- Si está dañado el cordón de corriente, debe ser reemplazado únicamente por el fabricante o en un centro de servicio autorizado para evitar riesgos.
- Guarde estas instrucciones. Consúltelas con frecuencia y empléelas para instruir a otras personas que puedan utilizar este producto. Si presta a alguien esta herramienta, facilítele también las instrucciones.

ADVERTENCIA (PROPUESTA 65)

Algo del polvo provocado por las lijás, sierras, trituradoras y taladros eléctricos, y otras actividades de construcción Contiene químicos reconocidos como causantes de cáncer y defectos congénitos u otros daños en el aparato reproductivo. Algunos ejemplos de estos químicos son:

- plomo de pinturas con base de plomo
- sílice cristalina de ladrillos, cemento y otros productos de mampostería
- arsénico y cromo de madera tratada con químicos

El riesgo que corre a la exposición de estos químicos varía dependiendo de la frecuencia con que realiza estos tipos de trabajos. Para reducir la exposición a estos químicos: trabaje en un área bien ventilada y con el equipamiento de seguridad aprobado, como por ejemplo máscaras especialmente diseñadas para filtrar las partículas microscópicas.








El protector (es un dispositivo que está calibrado para abrir el circuito del motor al alcanzar una cierta temperatura/corriente, pero requiere tanto enfriar por debajo del punto de calibración y eliminar la energía para el restablecimiento del protector) en la podadora ayuda a detener la podadora si el diente está atascado o se produce una sobrecarga.

Cuando ocurre la protección, el operario debe soltar el interruptor de seguridad y tirar del enchufe inmediatamente, luego reiniciar la podadora después de al menos 5 minutos. El operador esperará más tiempo y la podadora no podrá funcionar si se reinicia dentro de 5 minutos.

GUARDAR ESTAS INSTRUCCIONES




SÍMBOLOS

Es posible que se empleen en este producto algunos de los siguientes símbolos. Le suplicamos estudiarlos y aprender su significado. Una correcta interpretación de estos símbolos le permitirá utilizar mejor y de manera más segura el producto.

SÍMBOLO	NOMBRE	DENOMINACIÓN/EXPLICACIÓN
V	Voltios	Voltaje
A	Amperios	Corriente
Hz	Hertz	Frecuencia (ciclos por segundo)
W	Watts	Potencia
min	Minutos	Tiempo
~	Corriente alterna	Tipo de corriente
≡	Corriente continua	Tipo o característica de corriente
n _o	Velocidad sin carga	Velocidad de giro al no haber carga
□	Fabricación Clase II	Fabricación con doble aislamiento
/min	por minuto	Revoluciones, carreras, velocidad superficial, órbitas, etc. por minuto
	Moje Condiciones Ponen sobre aviso	No exponga la unidad a la lluvia ni la use en lugares húmedos.
	Lea el manual del operador	Para reducir el riesgo de lesiones, el usuario debe leer y comprender el manual del operador antes de usar este producto.
	Protección ocular	Al utilizar este producto, póngase siempre gafas de seguridad con protección lateral, y en la medida en que sea necesario, utilice un protector para toda la cara.
	Mantenga las manos y los pies alejados.	Mantenga las manos y los pies alejados de las cuchillas y del área de corte.
	No extenderse	No extienda las manos o los pies por debajo de la cubierta de la podadora.
	No utilizar sobre pendientes	No utilice la podadora sobre pendientes superiores a los 15°. Corte sobre la superficie de las pendientes y nunca de arriba a abajo.
	Mantenga alejadas a las personas presentes	Mantenga a los circunstantes a una distancia mínima de 15 m (50 pies).

SÍMBOLOS

Las siguientes palabras de señalización y sus significados tienen el objeto de explicar los niveles de riesgo relacionados con este producto.

SÍMBOLO	SEÑAL	SIGNIFICADO
	PELIGRO:	Indica una situación peligrosa inminente, la cual, si no se evita, causará la muerte o lesiones serias.
	ADVERTENCIA:	Indica una situación peligrosa posible, la cual, si no se evita, podría causar la muerte o lesiones serias.
	PRECAUCIÓN:	Indica una situación potencialmente peligrosa la cual, si no se evita, puede causar lesiones leves o moderadas.
	PRECAUCIÓN:	(Sin el símbolo de alerta de seguridad) Indica una situación que puede producir daños materiales.

SERVICIO

El servicio de la producto requiere extremo cuidado y conocimientos técnicos, por lo cual sólo debe ser efectuado por un técnico de servicio calificado. Para dar servicio a la herramienta, le sugerimos llevarla al **ESTABLECIMIENTO DE SERVICIO AUTORIZADO** de su preferencia para que la reparen. Al dar servicio a la unidad, sólo utilice piezas de repuesto idénticas.

A D V E R T E N C I A

Para evitar lesiones corporales serias, no intente utilizar este producto sin haber leído y comprendido totalmente el manual del operador. Si no comprende los avisos de advertencia y las instrucciones del manual del operador, no utilice este producto. Llame al departamento de atención al consumidor (1-888-909-6757), y le brindaremos asistencia.

A D V E R T E N C I A



Cualquier producto en funcionamiento puede lanzar objetos hacia los ojos, lo cual puede causar serios daños a los mismos. Antes de iniciar la operación de herramientas de corriente, siempre utilice gafas de seguridad, gafas de seguridad con protección lateral, y en la medida en que sea necesario, un protector para toda la cara. Recomendamos la careta protectora de visión amplia encima de los anteojos normales, o los anteojos protectores estándar con protección lateral. Siempre póngase protección ocular con la marca de cumplimiento de la norma ANSI Z87.1.

GUARDAR ESTAS INSTRUCCIONES

ASPECTOS ELÉCTRICOS

DOBLE AISLAMIENTO (Consulte la figura 1)

El doble aislamiento es una característica de seguridad de las herramientas eléctricas, la cual elimina la necesidad de usar el típico cordón eléctrico de tres conductores con conexión a tierra. Todas las partes metálicas expuestas están aisladas de los componentes metálicos internos del motor por medio de aislamiento de protección. No es necesario conectar a tierra las herramientas con doble aislamiento.

⚠ ADVERTENCIA

El sistema de doble aislamiento está destinado a proteger al usuario contra las descargas eléctricas resultantes de la ruptura del aislamiento interno de la herramienta. Observe todas las precauciones de seguridad para evitar descargas eléctricas.

NOTA: El mantenimiento de una herramienta con doble aislamiento requiere sumo cuidado y conocimiento del sistema, y únicamente deben realizarlo técnicos de servicio calificados. Para dar servicio a la herramienta, le sugerimos llevarla al Centro de Servicio Autorizado de su preferencia para que la reparen. Siempre utilice piezas de repuesto de la fábrica original al dar servicio a la unidad.

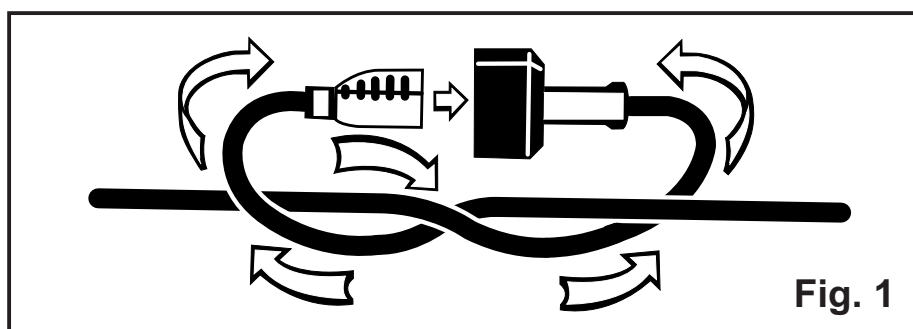
CONEXIÓN ELÉCTRICA

Este producto dispone de un motor eléctrico fabricado con precisión. Debe conectarse únicamente a un suministro de corriente de 120 V, 60 Hz, sólo corr. alt. (corriente normal para uso doméstico). No utilice este producto con corriente continua (corr. cont.). Una caída considerable de voltaje causa una pérdida de potencia y el recalentamiento del motor. Si el producto no funciona al conectarlo en una toma, vuelva a verificar el suministro de corriente.

CORDONES DE EXTENSIÓN

Al utilizar una herramienta eléctrica a una distancia considerable de la fuente de corriente, asegúrese de utilizar un cordón de extensión con la suficiente capacidad para soportar la corriente de consumo del producto. Un cordón de un calibre insuficiente causa una caída en el voltaje de línea, la cual a su vez produce recalentamiento y pérdida de potencia. Báse en la tabla suministrada para determinar el grosor mínimo requerido del cordón de extensión. Solamente deben utilizarse cordones con forro redondo registrados en Underwriter's Laboratories (UL).

Al trabajar a la intemperie con un producto, utilice un cordón de extensión fabricado para uso en el exterior. Este tipo de cordón lleva las letras "WA" en el forro.



ASPECTOS ELÉCTRICOS

Antes de utilizar un cordón de extensión, inspecciónelo para ver si tiene conductores flojos o expuestos y aislamiento cortado o gastado.

Se puede hacer un nudo para atar el cordón de extensión y el cordón eléctrico para impedir que se desconecten durante el uso. Ate el nudo como se muestra en la figura 1, luego conecte el extremo de la clavija del cordón eléctrico en el extremo del receptáculo del cordón de extensión. Este método también se puede usar para atar dos cordones de extensión.

CALIBRE MÍNIMO DE LAS EXTENSIONES ELÉCTRICAS (AWG) (SÓLO SI UTILIZA 120 V)

Potencia en amperes		Longitud total del cable en metros)			
Más de	No más de	7,6 m	15 m	30,4 m	45,7 m
0	6	18	16	16	14
6	10	18	16	14	12
10	12	16	16	14	12
12	16	14	12	No se recomienda	

ADVERTENCIA

Mantenga el cordón de extensión fuera del área de trabajo. Al trabajar con una herramienta eléctrica, coloque el cordón de tal manera que no pueda enredarse en la madera, herramientas o ninguna obstrucción. La inobservancia de esta advertencia puede causar lesiones corporales serias.

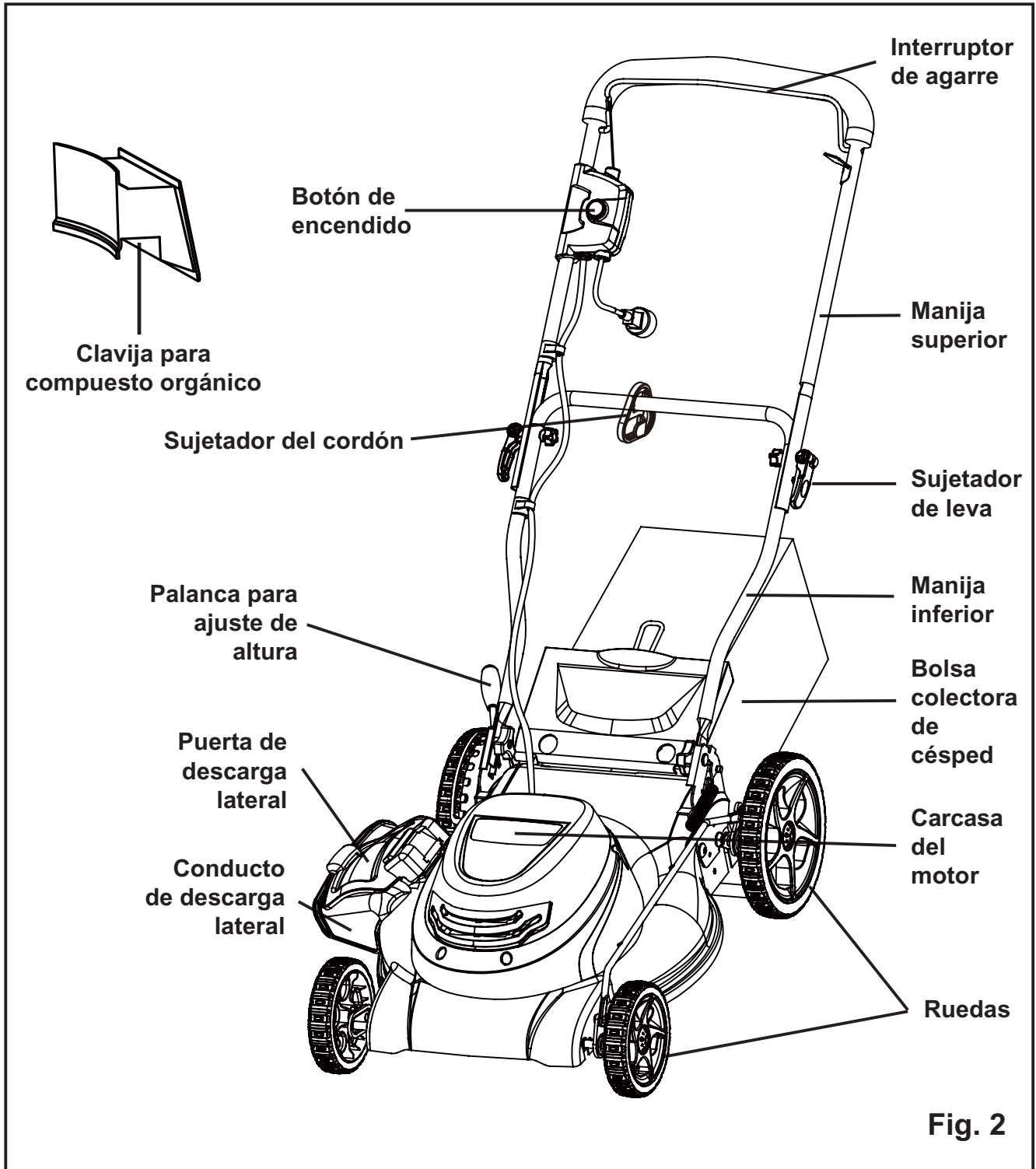
ADVERTENCIA

Inspeccione los cordones de extensión antes de cada uso. Si están dañados reemplácelos de inmediato. Nunca utilice el producto con un cordón dañado, ya que si toca la parte dañada puede producirse una descarga eléctrica, y las consecuentes lesiones serias.

GUARDAR ESTAS INSTRUCCIONES

CONOZCA SU PODADORA

Lea el manual del operador y las normas de seguridad antes de manejar la podadora. Compare la ilustración en Fig. 2 con la podadora para familiarizarse con la ubicación de los diferentes controles y ajustes. Guarde este manual para referencia futura.



INSTRUCCIONES DE ENSAMBLADO

DESEMPAQUETADO

- Extraiga cuidadosamente de la caja la herramienta y los accesorios. Asegúrese de que estén presentes todos los artículos enumerados en la lista de empaquetado.
- Inspeccione cuidadosamente la herramienta para asegurarse de que no haya sufrido ninguna rotura o daño durante el transporte.
- No deseche el material de empaquetado hasta que haya inspeccionado cuidadosamente la herramienta y la haya utilizado satisfactoriamente.
- Si hay piezas dañadas o faltantes, le suplicamos llamar al 1-888-909-6757, donde le brindaremos asistencia.

LISTA DE EMPAQUETADO

- Podadora
- Clavija para compuesto orgánico
- Bolsa colectora de césped
- Conducto de descarga lateral
- Manual

A D V E R T E N C I A

Si falta o está dañada alguna pieza, no utilice este producto sin haber reemplazado la pieza. La inobservancia de esta advertencia puede causar lesiones graves.

A D V E R T E N C I A

No intente modificar este producto ni hacer accesorios no recomendados para la misma. Cualquier alteración o modificación constituye maltrato el cual puede causar una condición peligrosa, y como consecuencia posibles lesiones corporales serias.

A D V E R T E N C I A

No conecte la unidad al suministro de corriente sin haber terminado de armarla. De lo contrario la unidad puede ponerse en marcha accidentalmente, con el consiguiente riesgo de lesiones serias.

A D V E R T E N C I A

Para evitar un arranque accidental que podría causar lesiones corporales serias, No conecte la unidad al suministro de corriente al ensamblar las piezas.

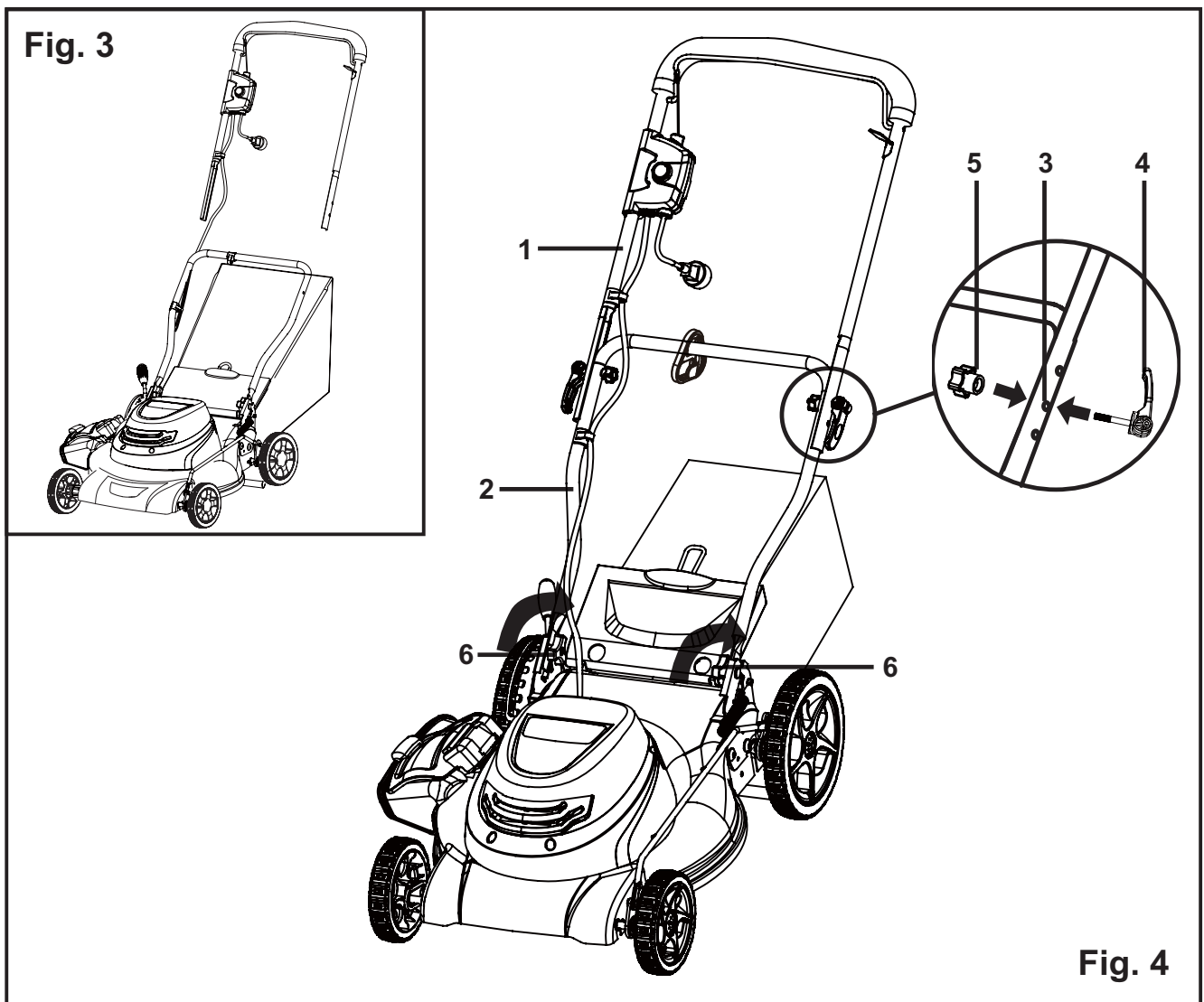
A D V E R T E N C I A

No utilice nunca el cortacésped sin los dispositivos de seguridad adecuados en su lugar y en perfectas condiciones. Nunca use el cortacésped con dispositivos de seguridad dañados. La utilización de este producto con piezas dañadas o faltantes podrá causar lesiones personales serias.

INSTRUCCIONES DE ENSAMBLADO

ENSAMBLE DE LA MANIJA (Consulte las figuras 3.-4.)

- Retire el material de embalaje que probablemente esté entre las manijas superior e inferior para fines de envío.
- Tire hacia arriba y atrás la manija superior para levantar la manija hasta la posición de funcionamiento. Asegúrese de que la manija inferior esté asentada firmemente en la abrazadera de montaje de la manija (Fig. 3).
- Alinee los agujeros (3) entre la manija superior (1) y la manija inferior (2). Inserte los sujetadores de leva (4) y apriételos con las tuercas de mariposa (5) que se suministran.
- Asegure la manija inferior al soporte con la perilla (6) de cada lado (Fig. 4).



INSTRUCCIONES DE ENSAMBLADO

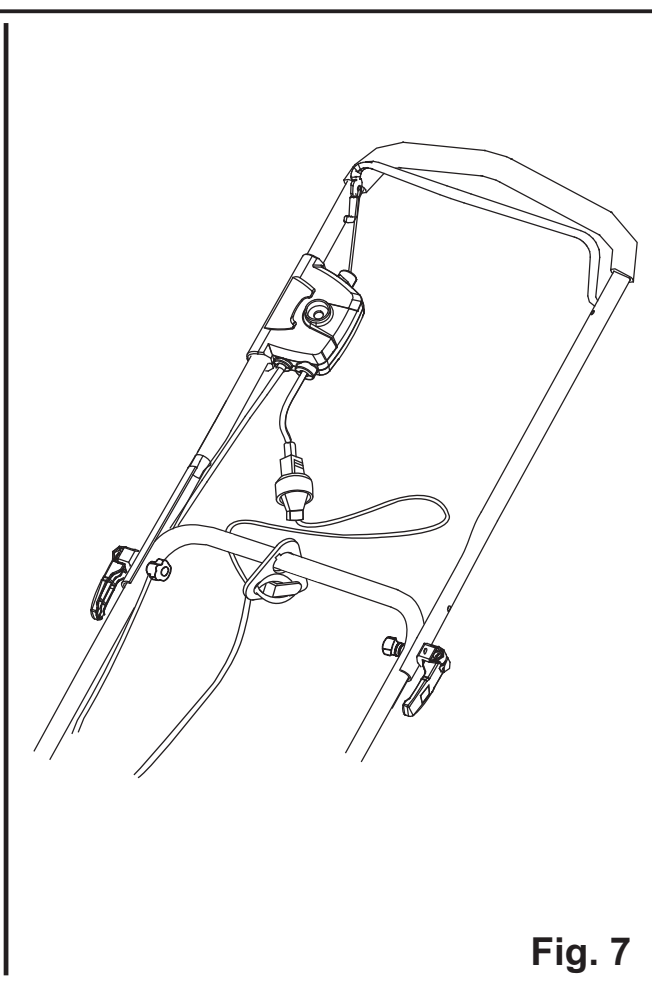
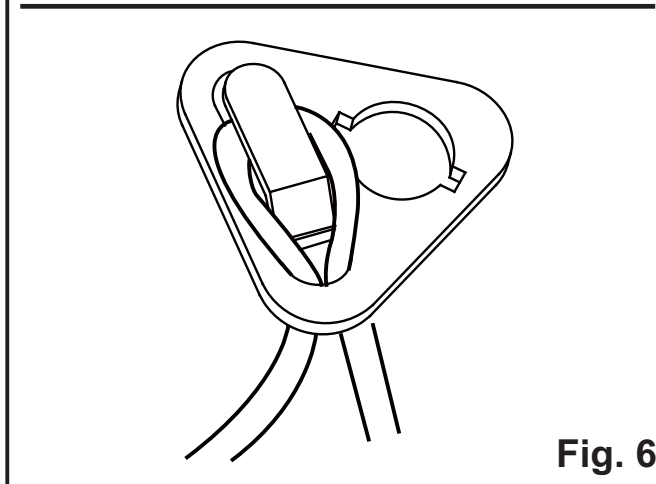
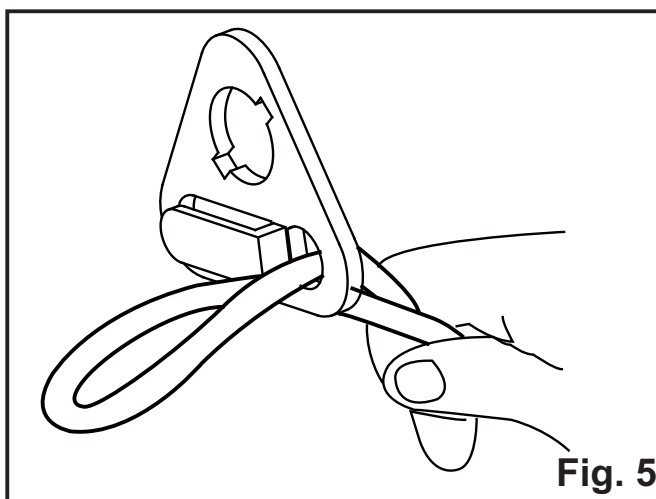
USO DEL RETENEDOR DEL CABLE (Consulte las figuras 5.-7.)

Esta podadora está equipada con un retenedor de cable para evitar que la extensión eléctrica se desconecte del cable de alimentación mientras se encuentra en uso. El retenedor del cable cuelga desde la barra guía de éste.

NOTA: No enchufe la extensión eléctrica en el tomacorriente hasta que ésta esté conectada al retenedor de cable y enchufada en la podadora.

Para usar el retenedor del cable:

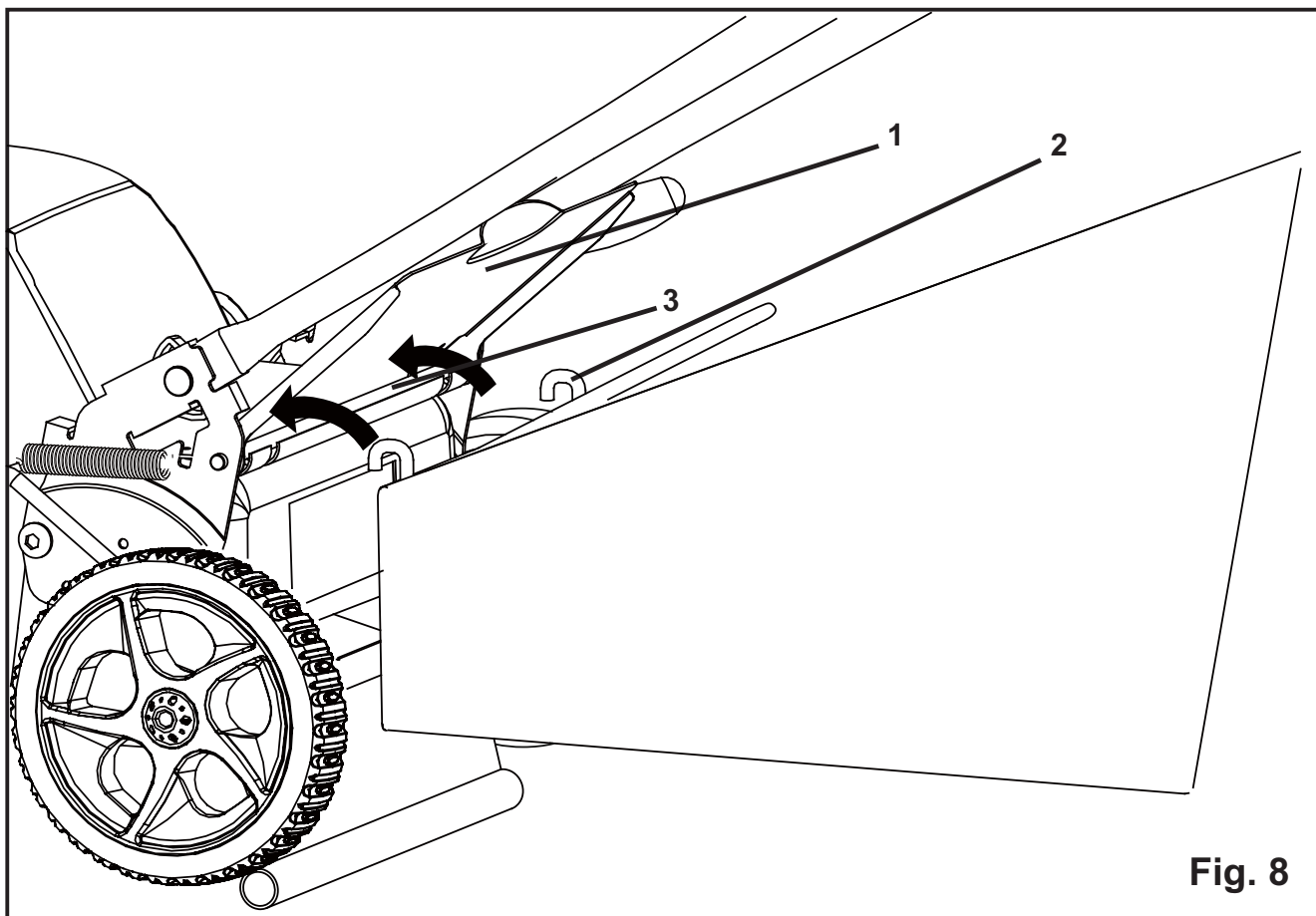
- Doble la extensión eléctrica de manera que forme un bucle firme cerca del retenedor.
- Empuje el bucle a través del orificio inferior del retenedor (Consulte la figura 5).
- Deslice el bucle sobre el sujetador del retenedor y jale hacia abajo hasta que el cable esté firme (Consulte la figura 6).



INSTRUCCIONES DE ENSAMBLADO

COLOCACIÓN DE LA BOLSA COLECTORA DE CÉSPED *(Consulte la figura 8.)*

- Levante la cubierta del conducto (1).
- Con la cubierta sostenida hacia arriba (1), coloque los ganchos para sujetar el colector de césped (2) en la abertura de la cubierta del conducto (1) para que los ganchos se conecten a la varilla (3) que asegura la cubierta.



INSTRUCCIONES DE ENSAMBLADO

INSTALACIÓN DEL CONDUCTO DE DESCARGA LATERAL *(Consulte la figura 9.)*

- Levante la cubierta de la descarga lateral (1).
- Alinee las ranuras en el ducto de descarga (2) con los pasadores en el lado inferior de la cubierta de la descarga (1).
- Baje el conducto de descarga (2) hasta que los ganchos en la plataforma de la podadora estén asegurados en las aberturas del conducto de descarga.
- Suelte la cubierta de la descarga lateral (1).

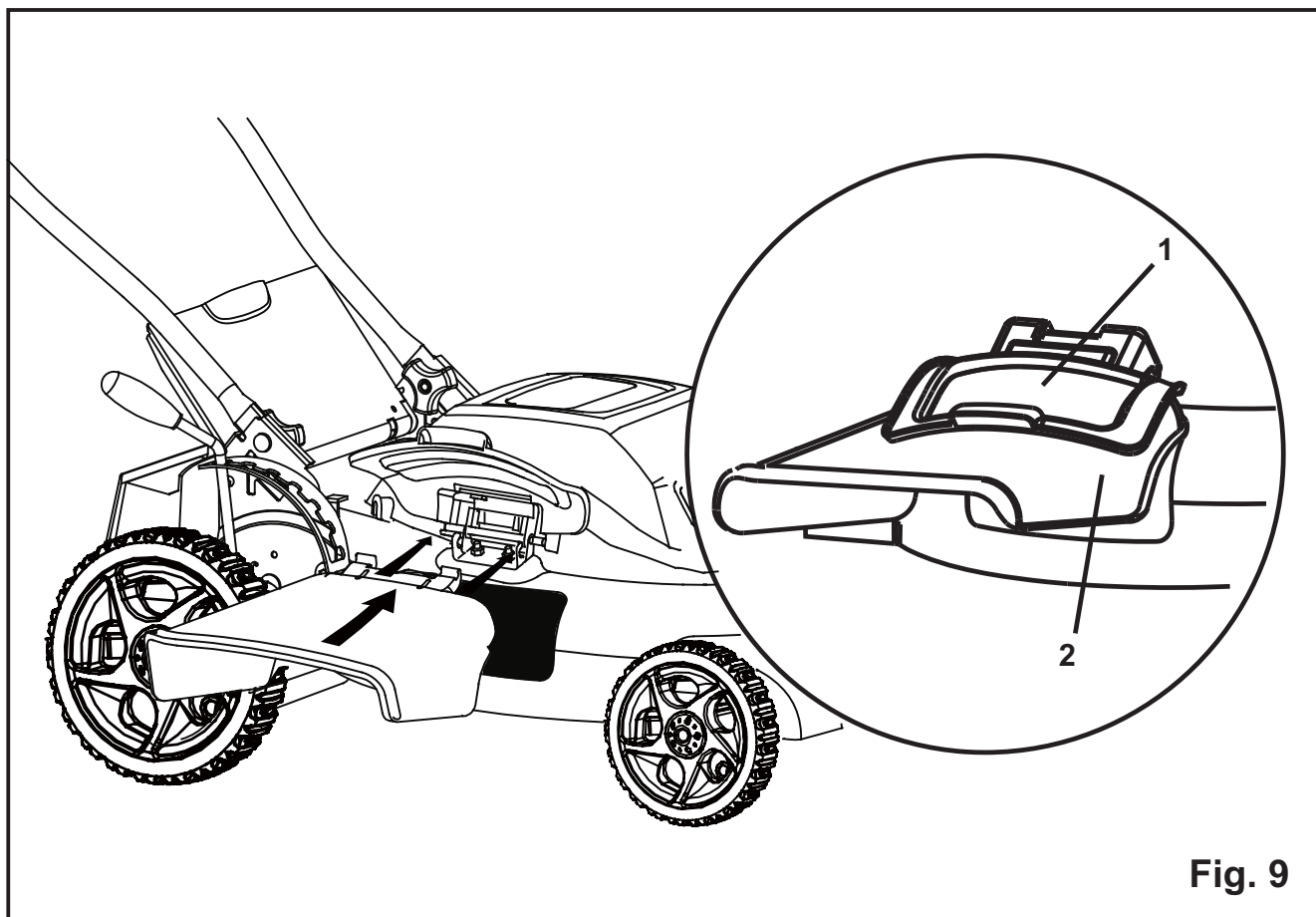


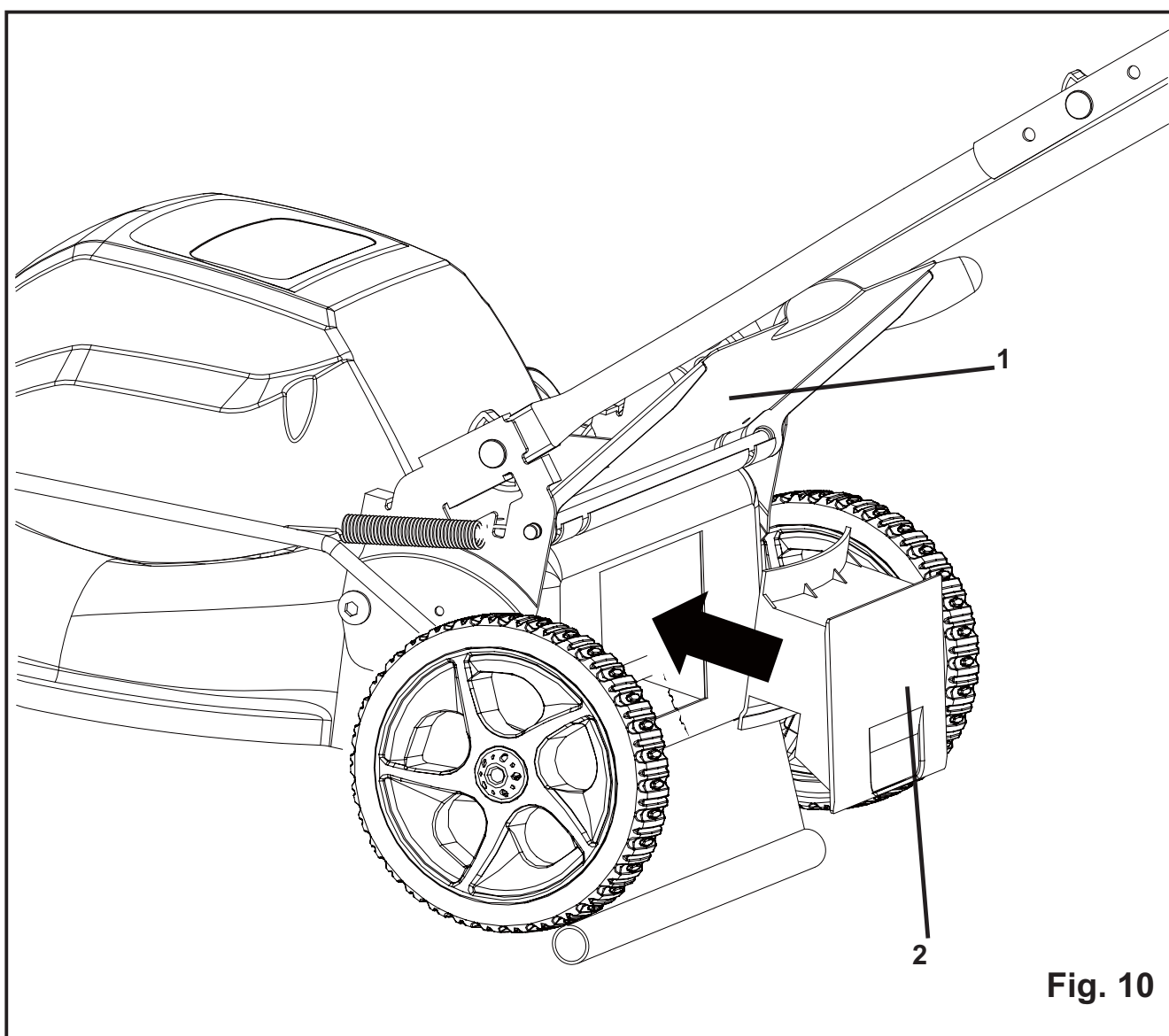
Fig. 9

INSTRUCCIONES DE ENSAMBLADO

INSTALACIÓN O RETIRO DE LA CLAVIJA PARA COMPUESTO ORGÁNICO (Consulte la figura 10.)

NOTA: Al utilizar el tapón para trituración, no se deben instalar el deflector de descarga lateral ni el receptor de césped (si lo tiene).

- Levante la puerta de descarga posterior (1).
- Tome el tapón para trituración por el mango (2) e inclínelo a un ángulo de aproximadamente 15 grados.
- Introduzca el tapón en la abertura de descarga posterior.
- Baje la puerta de descarga posterior.



INSTRUCCIONES DE USO

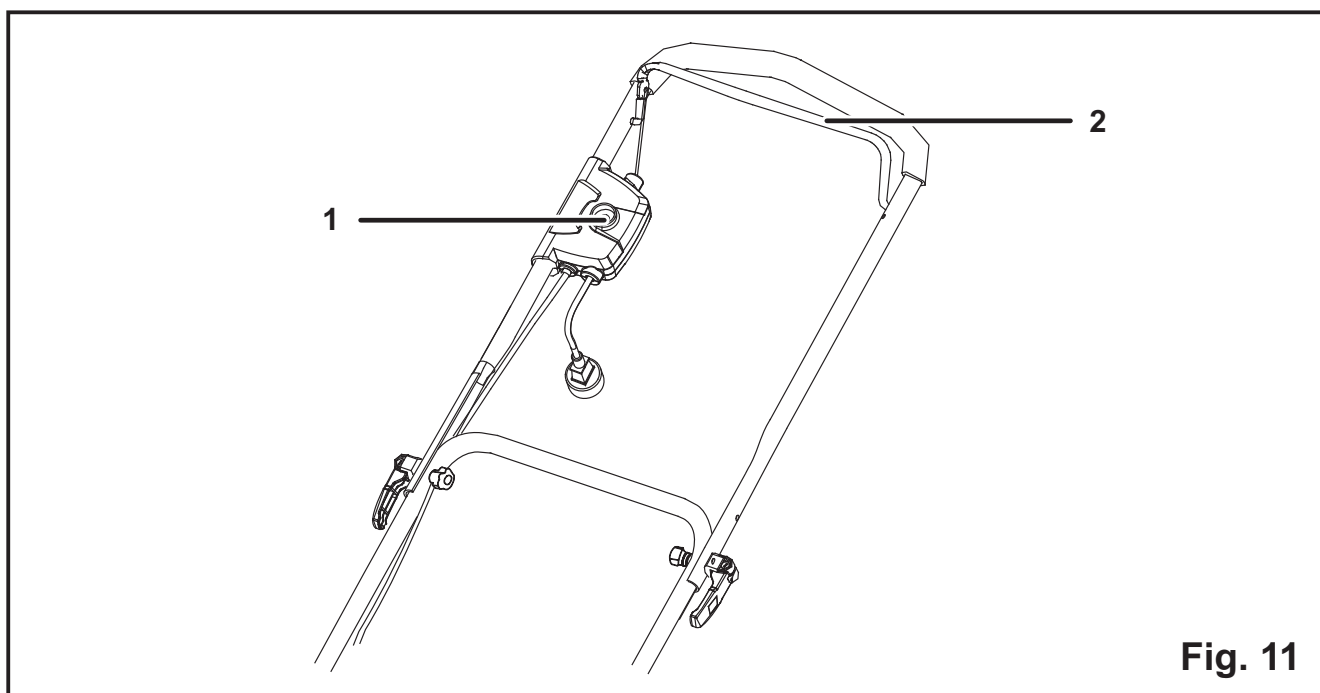
ARRANQUE Y DETENCIÓN DE LA PODADORA *(Consulte la figura 11.)*

ARRANQUE DE LA PODADORA:

- Enchufe la podadora en un cordón de extensión aprobado para exteriores.
- Presione y sostenga el botón de encendido (1).
- Para arrancar la podadora lleve el interruptor de palanca (2) hacia arriba hacia la manija y suelte el botón.

DETENCIÓN DE LA PODADORA:

- Suelte el interruptor de agarre.



⚠ PRECAUCIÓN

No intente anular el funcionamiento de la llave o palanca de seguridad.

⚠ ADVERTENCIA

Una operadora en funcionamiento puede arrojar objetos extraños a los ojos del operador y, de esta manera, ocasionar graves daños oculares. Siempre use gafas de seguridad cuando use la podadora y realice ajustes o reparaciones.

⚠ ADVERTENCIA

Cuando use la podadora, asegúrese de que las personas y mascotas se encuentren a al menos 15 m (50 pies) de distancia.

INSPECCIÓN DEL ÁREA DE CORTE

Retire piedras, palos, cables, juguetes y otros desechos que la cuchilla giratoria pueda arrojar.

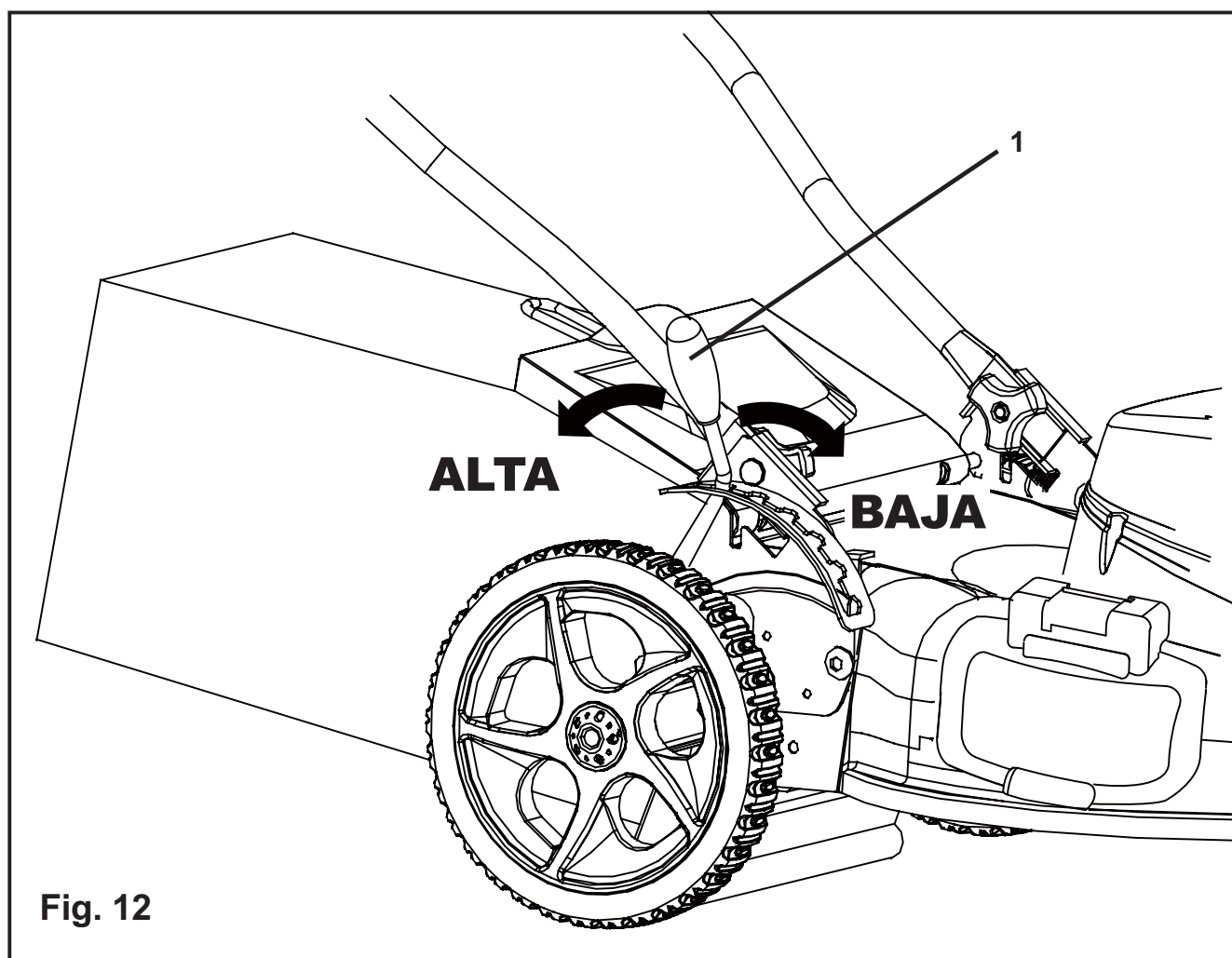
INSTRUCCIONES DE USO

AJUSTE DE LA ALTURA DE CORTE *(Consulte la figura 12.)*

Al enviarse el aparato, las ruedas en el cortacésped se ajustan a una posición de corte bajo. Antes de usar el cortacésped por primera vez, ajuste la posición del corte a la altura más adecuada para su cortacésped. El césped promedio debería medir entre 38 mm y 51 mm durante los meses fríos y entre 51 mm y 70 mm durante los meses cálidos.

Para ajustar la altura de la hoja :

- Para subir la altura de la cuchilla, agarre la palanca de ajuste de altura y muévala hacia atrás del cortacésped.
- Para bajar la altura de la cuchilla, agarre la palanca de ajuste de altura y muévala hacia delante del cortacésped.



INSTRUCCIONES DE USO

VACIADO DEL RECEPTOR DE CÉSPED *(Consulte la figura 13.)*

- Suelte la palanca del interruptor para apagar la podadora, espere a que la cuchilla de detenga por completo y luego desenchufe el cable de alimentación.
- Levante la puerta trasera.
- Levante la caja de la hierba por el mango para retirarla del cortacésped.
- Elimine los recortes de césped.
- Levante la puerta trasera y vuelva a colocar la caja de la hierba como se ha descrito anteriormente en este manual.



Fig. 13

INSTRUCCIONES DE USO

MANEJO EN PENDIENTES

ADVERTENCIA

No pode el césped en pendientes con un ángulo mayor a 15° (una elevación de aproximadamente 2-1/2 pies [75 metros] cada 10 pies [3 metros]). Pode transversalmente en el frente de una pendiente y nunca arriba abajo.

- Las pendientes son una de las causas principales de accidentes por resbalones y caídas que pueden provocar lesiones graves. El manejo en pendientes requiere precaución extra. Si se siente inseguro en una pendiente, no la pode. Para su seguridad, no intente podar pendientes de más de 15 grados.
- Pode atravesando las pendientes; no hacia arriba ni hacia abajo. Tenga mucha precaución al cambiar de dirección en una pendiente.
- Tenga cuidado con los pozos, surcos, piedras, objetos ocultos o montículos que puedan provocar que se resbale o tropiece. El césped alto puede ocultar obstáculos. Retire todos los objetos como piedras, ramas de árboles, etc., que puedan provocar tropezones o ser lanzados por la cuchilla.
- Siempre asegúrese de su postura. Un resbalón y caída puede provocar lesiones serias. Si siente que está perdiendo el equilibrio, suelte el mango de control del motor/cuchilla inmediatamente.
- No pode el pasto cerca de precipicios, zanjas o terraplenes; podría perder la firmeza de la postura o el equilibrio.

INSTRUCCIONES DE USO

CONSEJOS DE PODA

NOTA: el rendimiento de la podadora será mucho mayor con una cuchilla filosa, especialmente si de corta césped alto. Asegúrese de revisar la cuchilla y afilarla al menos una vez al año, según se describe en la sección Mantenimiento.

- Verifique que no haya piedras, palos, cables ni otros objetos en el césped que puedan dañar las cuchillas o el motor. Es posible que la podadora arroje estos objetos accidentalmente y en cualquier dirección, algo que puede ocasionar lesiones personales graves al operador y a otras personas.
- Para evitar descargas eléctricas, no use la podadora en condiciones húmedas.
- No pade el césped en círculos. Muévase hacia adelante y atrás del césped.
- Cuando corte césped grueso, pase la podadora más lentamente para lograr un mejor corte y una adecuada descarga de recortes. Para tener un césped sano, siempre corte un tercio o menos de su altura total. El césped promedio debe tener aproximadamente de 3,8 a 5 cm (1-1/2 a 2 pulgadas) de altura en meses fríos y más de 5 cm (2 pulgadas) en meses cálidos. Si hay crecimiento, el césped debe cortarse en otoño.

CONSEJOS DE TRITURACIÓN DE COMPUESTO ORGÁNICO

NOTA: SIEMPRE INSPECCIONE EL ÁREA DONDE UTILIZARÁ LA PODADORA Y RETIRE PIEDRAS, PALOS, CABLES, HUESOS Y OTROS DESECHOS QUE LA CUCHILLA GIRATORIA PUEDA ARROJAR. Release switch to turn mower OFF when crossing any graveled area (stones can be thrown by the blade).

- Suelte el interruptor para apagar la podadora si cruza un área con gravilla (la cuchilla podría arrojar piedras).
- Coloque la podadora en la altura de corte más alta cuando pade suelos duros o malezas altas.
- Para que la trituración sea efectiva, no corte césped húmedo ya que tiende a pegarse en el lado inferior de la plataforma y, de esta manera, los recortes de césped no se Trituran correctamente. Es posible que el césped nuevo o espeso necesite un corte más angosto. La velocidad en el suelo debe ajustarse según la condición del césped. Si no ha podado y el césped ha crecido más de 10 cm, pódelo dos veces para reducir su altura a un máximo de 8,3 cm.
- Camine a un ritmo constante y adecuado. Superponga las filas. No deje que el césped crezca demasiado. En caso de que esto suceda, comience en la posición de corte más alta y luego baje a la altura de corte deseada.

ADVERTENCIA

Si choca un objeto extraño, detenga el motor y desconecte el cable de alimentación. Inspeccione minuciosamente si la podadora se dañó. Repare los daños antes de usar la podadora. La vibración excesiva de la podadora durante su funcionamiento advierte un daño. Inspeccione minuciosamente la podadora y repare los daños antes de usarla.

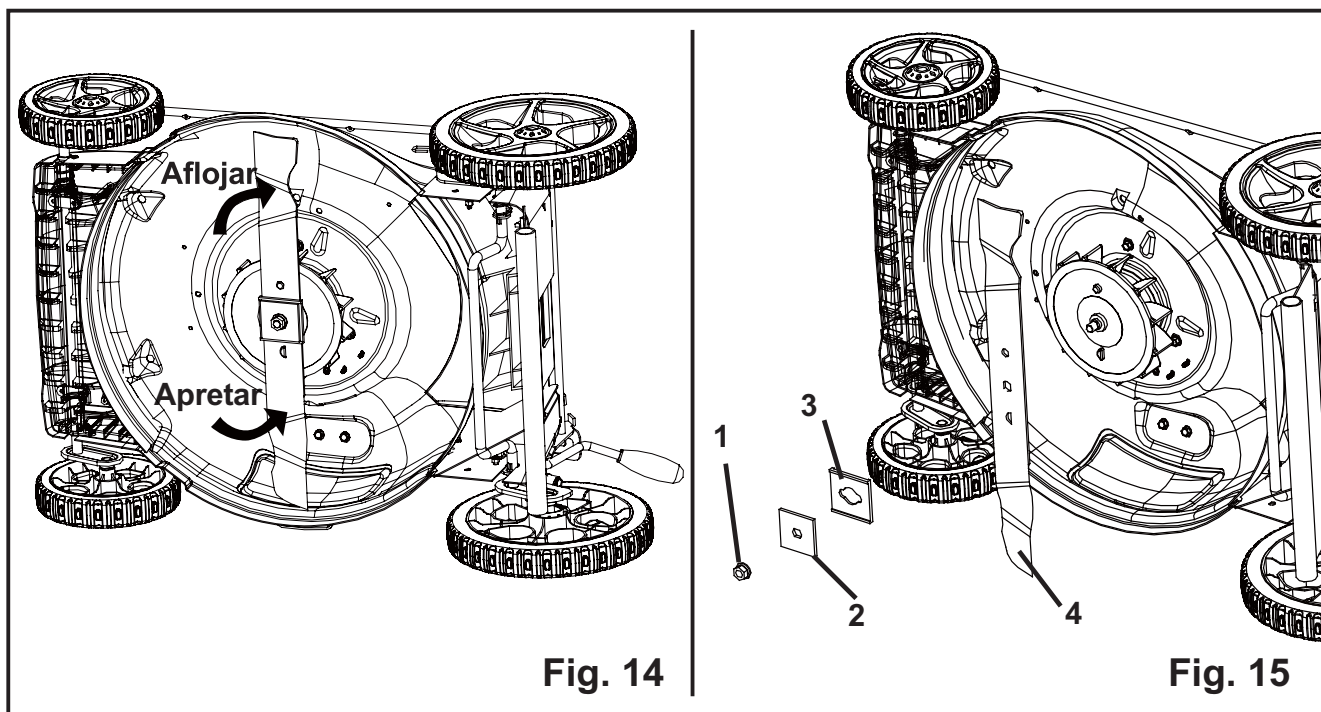
MANTENIMIENTO

CAMBIO DE LA CUCHILLA (Consulte las figuras 14.-15.)

⚠ ADVERTENCIA

siempre use guantes para trabajo pesado y envuelva los bordes cortantes con harapos u otros materiales para protegerse las manos cuando le haga cualquier mantenimiento a las cuchillas.

- SUELTE LA PALANCA DEL INTERRUPTOR PARA APAGAR LA PODADORA, ESPERE A QUE LA CUCHILLA DE DETENGA POR COMPLETO Y LUEGO DESENCHUFE EL CABLE DE ALIMENTACIÓN.
- Use guantes acolchados de cuero y calce un bloque de madera entre la cuchilla y la plataforma de la podadora a fin de evitar que la cuchilla gire cuando se retire la tuerca.
- Utilice un casquillo o una llave de 15 mm para aflojar la tuerca de la cuchilla (1) y sacar la cuchilla (4). Gire la tuerca “EN DIRECCIÓN CONTRARIA A LAS MANECILLAS DEL RELOJ” para aflojarla y “EN LA MISMA DIRECCIÓN QUE LAS MANECILLAS DEL RELOJ” para ajustarla.
- Retire la tuerca de la cuchilla (1), la arandela cuadrada (2), la arandela de aislamiento (3) y la cuchilla.
- Para volver a colocar la cuchilla, póngala con los bordes cortantes en dirección a la tierra. Ensamble la tuerca de la cuchilla, la arandela cuadrada y la arandela de aislamiento, como se muestra a continuación. Con un casquillo o una llave de 15 mm, gire la tuerca de la cuchilla “EN LA MISMA DIRECCIÓN QUE LAS MANECILLAS DEL RELOJ” para asegurar la cuchilla.



NOTA: asegúrese de cambiar las partes en el mismo orden en el que se retiraron. Cuando coloque la cuchilla, verifique que los extremos curvos apunten a la plataforma de la podadora y no a la tierra. Consulte el dibujoesquemático en la página 28 de este manual.

MANTENIMIENTO

LIMPIEZA DE LA PODADORA

A D V E R T E N C I A

Para reducir el riesgo de descarga eléctrica, no exponga la podadora al agua.

Se debe limpiar el lado inferior de la plataforma de la podadora después de cada uso, ya que se acumulan recortes de césped, hojas, suciedad y otros desechos, y producen óxido y corrosión.

- Retire toda acumulación de césped y hojas en y alrededor de la cubierta del motor (no use agua). Limpie la podadora con un paño seco de vez en cuando.
- Si se acumulan desechos en el lado inferior de la unidad mientras la está usando, detenga el motor desconéctelo del suministro de electricidad. Incline la podadora hacia adelante o hacia un lado y raspe el lado inferior hasta limpiarlo con una herramienta apropiada.

ALMACENAMIENTO

Debe seguir los pasos a continuación antes de guardar la podadora de césped.

- Verifique que el cable de alimentación esté desconectado.
- Limpie la podadora según las instrucciones anteriores.
- Inspeccione y cambie o afile la cuchilla de ser necesario. Consulte la sección de mantenimiento.
- Almacene la podadora en un área seca y limpia. No la almacene cerca de materiales corrosivos, como fertilizantes y cloruro sódico.
- Limpie la extensión eléctrica para quitar sustancias como aceites o manchas. Reemplace la extensión eléctrica si está cortada o dañada de cualquier forma.
- Enrolle el cable en series de bucles iguales para evitar que se enrede.
- Guarde la podadora en un lugar fresco y seco bajo techo, fuera del alcance de los niños. No la cubra con una lámina de plástico sólido, ya que el plástico atrae humedad alrededor de la podadora y produce corrosión.

La manija puede estar plegada por completo para el almacenamiento.

- Saque los sujetadores de leva que están en los lados de la manija para soltarla, y doble hacia abajo la manija superior.
- Afloje las perillas de la manija, tire hacia afuera cada lado de la manija inferior y levante sus lados más allá de los bordes de los soportes para montaje. Doble la manija inferior hacia adelante. Asegúrese de no doblar o retorcer el cordón eléctrico.

SOLUCIÓN DE PROBLEMAS

PROBLEMA	CAUSA POSIBLE	SOLUCIÓN
La manija no está en su posición.	Los pernos cabeza de hongo no están bien asentados. Las perillas de la manija no están apretadas.	Ajuste la altura de la manija y asegúrese de que los pernos cabeza de hongo estén asentados correctamente. Apriete la perilla de la manija.
La podadora no	La extensión eléctrica no está conectada al enchufe de la podadora. La extensión eléctrica no está conectada a la fuente de electricidad. El interruptor de control del motor está dañado.	Vuelva a conectar el cable y use el retenedor del cable para mantenerlo cerca del control del motor o de la cuchilla. Conecte la extensión eléctrica a un tomacorrientes con energía de 120 V, 60 HZ CA. Haga que un centro de servicio autorizado reemplace el interruptor de control del motor.
La podadora corta el césped de forma dispareja.	El césped es duro o disparejo o la altura de corte no está correctamente ajustada.	Mueva las ruedas a una posición más alta. Todas las ruedas deben quedar a la misma altura de corte para que la podadora corte de forma pareja.
La podadora no tritura correctamente.	Los recortes de césped húmedo se pegan en el lado inferior de la plataforma.	Espere a que el césped se seque antes de podar.
La podadora es pesada para empujar.	El césped está alto, la parte posterior de la carcasa de la podadora y la cuchilla se arrastran en áreas de mucho césped o la altura de corte es demasiado baja.	Aumente la altura de corte.
La podadora vibra a una velocidad más alta.	El eje del motor está doblado. La cuchilla no está equilibrada.	Detenga el motor, desconecte la fuente de alimentación y revise si hay daños. Antes de volver a arrancar la podadora, haga que un centro de servicio autorizado la repare. Afile los bordes de corte de la misma manera para equilibrar la cuchilla.

GARANTÍA LIMITADA DE 3 AÑOS



greenworks

Por este medio y por un período de tres años GREENWORKS garantiza este producto contra defectos en materiales, piezas o mano de obra al comprador original que cuente con una prueba de compra. GREENWORKS, a su sola discreción reparará o reemplazará, sin costo alguno para el cliente, cualquier pieza defectuosa, siempre y cuando se haya hecho uso normal de ella. Esta garantía es válida solamente para unidades utilizadas de manera personal y que no hayan sido utilizadas o alquiladas para uso industrial o comercial, y que hayan recibido mantenimiento de acuerdo a las instrucciones que aparecen en el manual del propietario que se suministró con el producto nuevo.

ARTÍCULOS QUE NO CUBRE LA GARANTÍA:

1. Cualquier pieza que se haya vuelto inoperante debido a mal uso, uso comercial, abuso, descuido, accidente, mantenimiento inapropiado o alteración; o
2. La unidad, si no ha sido operada o si no se le ha dado mantenimiento de acuerdo al manual del propietario; o
3. Desgaste normal, excepto según se indica a continuación;
4. Artículos de mantenimiento rutinario tales como lubricantes, afilado de cuchillas;
5. Deterioro normal del acabado exterior debido al uso y la exposición al entorno.

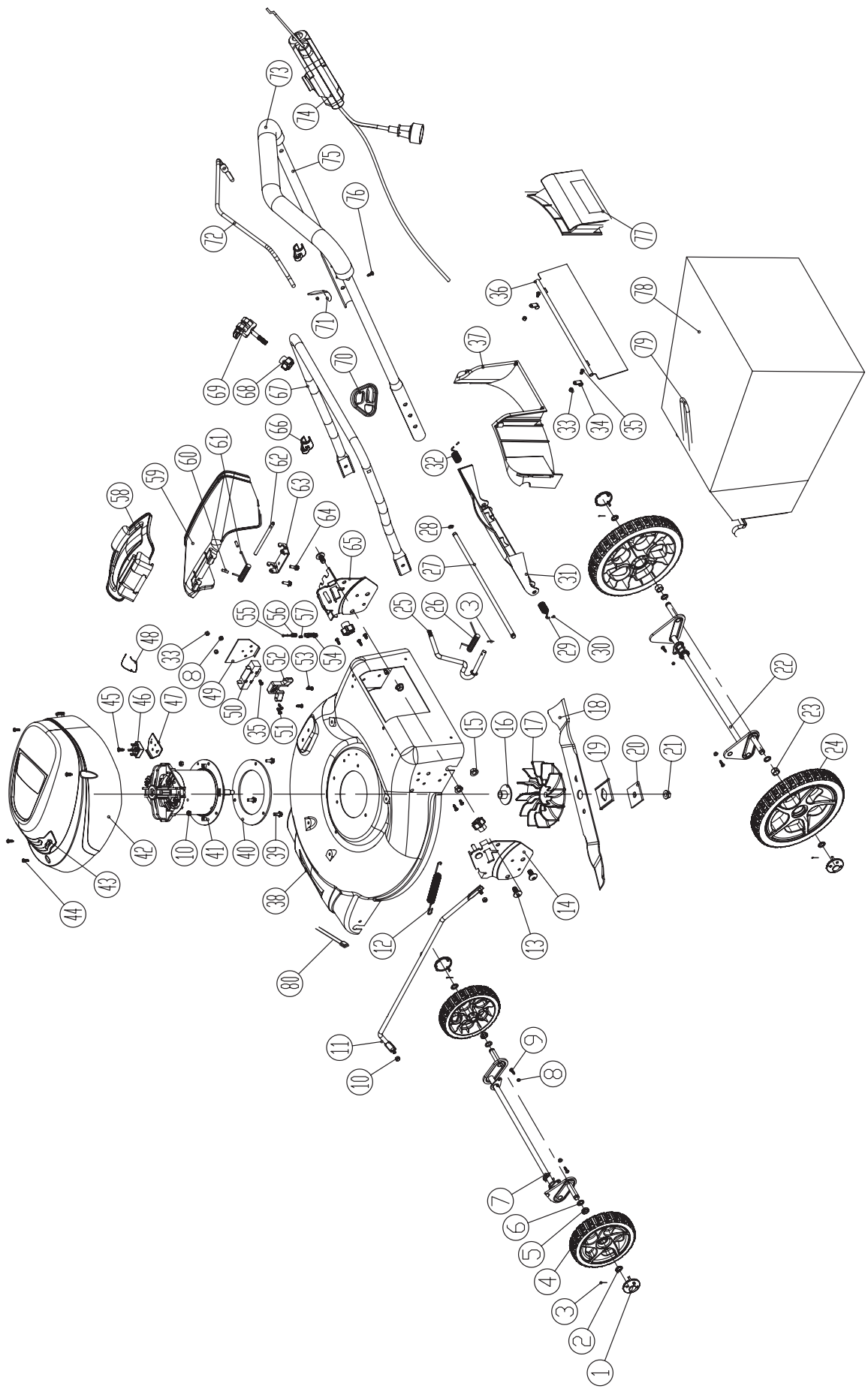
LÍNEA TELEFÓNICA PARA AYUDA DE GREENWORKS (1-888-90WORKS):

Se puede obtener servicio relacionado con la garantía llamando de lunes a viernes entre las 9 a.m. y las 5 p.m. a nuestra línea gratis para ayuda, el **1-888-909-6757 (1-888-90WORKS)**

CARGOS DE TRANSPORTE:

Los cargos de transporte por el traslado de cualquier unidad de equipo o accesorio eléctrico son responsabilidad del comprador. El comprador es responsable de pagar los cargos de transporte de cualquier pieza presentada para reemplazo de acuerdo a esta garantía a menos que GREENWORKS solicite por escrito tal retorno.

VISTA DESARROLLADA



LISTA DE PIEZAS

ARTÍCULO NO.	PARTE NO.	DESCRIPCIÓN	CDAD.
1	34106488	Cubierta de la rueda	4
2	3220898	Arandela	4
3	3290135	Boton ϕ 2.5	5
4	31102488	Rueda (7 Pulg.)	2
5	3320639	Casquillo de la rueda	2
6	3330384	Arandela	4
7	333071161	Eje de rueda delantera	1
8	3220439	Tuerca de seguridad M5	4
9	3220575	Tornillo M5x10	4
10	3220537	Tuerca de seguridad M6	5
11	33303227-7	Barra de enlace	1
12	3340137-2	Resorte de extensión	1
13	3221637	Perno M10x20	4
14	33302222	Soporte de ajuste de altura, izquierdo	1
15	3220737	Tuerca M10	4
16	3320238A	Protector del husillo	1
17	3410237	Ventilador	1
18	33313250-1	Cuchilla	1
19	3410535	Aislante de cuchilla	1
20	3331435A	Espaciador	1
21	3221037A	Tuerca de la cuchilla	1
22	31102222	Eje de rueda trasera	1
23	3320237	Casquillo de la rueda	2
24	31103488	Rueda (10 Pulg.)	2
25	31103222	Eje de ajuste de altura	1
26	33401222	Resorte de torsión	1
27	3320138-1	Pasador de descarga lateral	1
28	3290506	Arandela de anillo	1
29	33304235	Resorte posterior, izquierdo	1
30	3420436	Cojinete	3
31	34103236	Puerta de descarga posterior	1
32	33302235	Resorte posterior, derecho	1
33	3221237	Tuerca de seguridad M4	3
34	333061161-1	Sujetador de cable	2
35	3220511	Tornillo M4x12	3
36	34127229	Cubierta trasera	1
37	34106236	Deflector trasera	1
38	31301227-3	Cubierta	1
39	32205227	Perno M6x18	3
40	34203227	Anillo de goma	1
41	T0300041- 00	Motor	1

LISTA DE PIEZAS

ARTÍCULO NO.	PARTE NO.	DESCRIPCIÓN	CDAD.
42	34103222-3	Cubierta del motor	1
43	34105222-6	Respiradero del motor	1
44	3220435	Tornillo M5×15	4
45	3220404	Tornillo ST4.2×25-F	1
46	3690153	Rectificador	1
47	3331035	Rectificador Del Radiador	1
48	3111135	Cordón	1
49	33301475	Radiador de resistencia	1
50	369011161	Resistencia	1
51	3220850	Tornillo M5x20	2
52	3410290-1	Soporte de resistencia	1
53	3220951	Tornillo ST 5x16-C	2
54	3410137	Guía del cordón	1
55	3220505	Tornillo ST4×16-F	4
56	3410403	Retenedor de cordón	1
57	3221137	Tornillo M5x12	1
58	3410338-4	Puerta de descarga lateral	1
59	3410438-3	Deflector de descarga lateral	1
60	3420207	Manga de goma	2
61	3340237-1	Resorte de torsión	1
62	3320338A	Pasador de descarga lateral	1
63	3330637A	Soporte de descarga lateral	1
64	3220136	Perno M6x8	2
65	33305222	Soporte de ajuste de altura, derecho	1
66	34135469A	Guía del cordón	2
67	33301489	Mango inferior	1
68	34106467-1	Perilla	4
69	31102467-2	Conjunto del sujetador de leva	2
70	34120227	Retenedor de cordón	1
71	33323250-1	Fianza detener	1
72	33305469-3	Interruptor de agarre	1
73	34135486	Espuma de mango	1
74	31102489A	Motor/blade control box	1
75	33310470-2	Manija superior	1
76	32208234	Perno M5x30	1
77	34104236	Tapón para trituración	1
78	34902237-6	Receptor de césped	1
79	33301237	Soporte de receptor de césped	1
80	363012329	Protector	1

greenworks

USA address:

Greenworks Tools
P.O. Box 1238
Mooresville, NC 28115

Canadian address:

Greenworks Tools Canada Inc.
1110 Stellar Drive Unit 102
Newmarket, ON, L3Y 7B7

LÍNEA DE AYUDA GRATUITA: 1-888-90WORKS (888-909-6757)

