

greenworks

MO13B00

EN	LAWN MOWER	OPERATOR MANUAL
FR	TONDEUSE À GAZON	MANUEL D'OPÉRATEUR
ES	CORTACÉSPED	MANUAL DEL OPERADOR



LMA131

www.greenworkstools.com

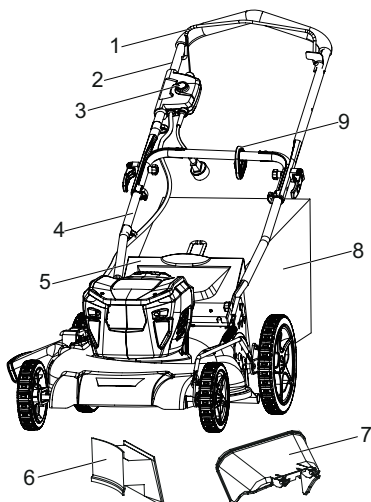
1	Description.....	4	7.5	Install the side discharge chute.....	9
1.1	Purpose.....	4	7.6	Set the cutting height.....	9
1.2	Overview.....	4	8	Operation.....	10
2	Read all instructions.....	4	8.1	Start the machine.....	10
2.1	General Operation.....	4	8.2	Stop the machine.....	10
2.2	Slope Operation.....	5	8.3	Use the cord retainer.....	10
2.3	Children and Bystanders.....	6	8.4	Empty the grass catcher.....	11
2.4	Service.....	6	8.5	Operate on slopes.....	11
2.5	Double insulated lawn mower.....	6	8.6	Operation tips.....	11
3	Electrical.....	6	9	Maintenance.....	11
4	Symbols on the product.....	7	9.1	General maintenance.....	11
5	Risk levels.....	8	9.2	Replace the blade.....	11
6	Proposition 65.....	8	9.3	Store the machine.....	12
7	Installation.....	8	10	Troubleshooting.....	12
7.1	Unpack the machine.....	8	11	Technical data.....	12
7.2	Unfold and adjust the handle.....	8	12	Limited warranty.....	13
7.3	Install the grass catcher.....	9	13	Exploded view.....	14
7.4	Install the mulch plug.....	9			

1 DESCRIPTION

1.1 PURPOSE

This machine is used for domestic lawn mowing. The cutting blade must be approximately parallel to the ground. All four wheels must touch the ground while you mow.

1.2 OVERVIEW



- 1 Bail switch
- 2 Upper handle
- 3 Start button
- 4 Lower handle
- 5 Rear discharge door
- 6 Mulch plug
- 7 Side discharge chute
- 8 Grass catcher
- 9 Cord retainer

2 READ ALL INSTRUCTIONS

▲ DANGER

This machine was built to be operated according to the rules for safe operation included in this manual. As with any type of power equipment, carelessness or error on the part of the operator can result in serious injury. This machine is capable of amputating hands and feet and throwing objects. Failure to observe all safety instructions could result in serious injury or death.

i NOTE

When using electric lawn mowers, basic safety precautions should always be followed to reduce the risk of fire, electric shock, and personal injury. These basic precautions include the following:

2.1 GENERAL OPERATION

- Carefully read all instructions on the mower and in the manual before attempting to assemble and operate the mower. Keep this manual in a safe place for future reference, and consult it regularly.
- Become familiar with all controls and their proper operation. Know how to stop the mower and how to disengage the power in an emergency.
- Do not allow children under the age of 14 to operate this mower. Children who are 14 years of age and older must read and understand the operating instructions and the safety rules in this manual, and must be trained and supervised by a parent.
- Do not allow anyone to operate this mower until they have read and understand the instructions.
- In order to avoid contact with the blade or injury caused by a thrown object, stay in the operator's zone behind the handles, and keep children and bystanders at least 100 ft (30 m) away from the mower while it is in operation. Stop the motor immediately if someone enters the mowing area.
- Thoroughly inspect the area where the equipment is to be used. Remove all stones, sticks, wire, bones, toys, and other foreign objects that could be tripped over or thrown by the blade. Thrown objects can cause serious personal injury.
- Plan your mowing pattern in such a way as to avoid discharging material toward roads, sidewalks, bystanders, etc. Do not discharge material against a wall or obstruction. Doing so may cause the discharged material to ricochet back toward the operator.
- Always wear proper eye protection in order to protect your eyes while operating or performing any adjustment or repair. Thrown objects that ricochet can cause serious eye injury.
- Always wear a face mask or a dust mask when operating the mower in a dusty environment.
- Dress properly. Do not wear loose clothing or jewellery that can get caught in moving parts. The wearing of protective gloves and safety footwear is recommended.
- In order to prevent electric shock, use this mower only with a CSA/UL listed extension cord that is approved for outdoor use, such as Type SW, SOW, STW, STOW, SJW, SJOW, SJTW, or SJTOW.
- Extension Cord: Verify that the extension cord is in good condition, is the proper gauge to carry the current that your mower will draw, and is polarized (one blade of the plug is wider than the other). A 25 ft (7.6 m) extension cord should be of 14 gauge, a 50 ft (15 m) extension cord should be 12 gauge. Undersized cords cause a drop in the

line voltage, which leads to a loss of power and overheating.

- In order to reduce the risk of electric shock, this lawn mower is equipped with a polarized plug (one blade is wider than the other), and must be used with a polarized extension cord. The lawn mower's plug will only fit into the polarized extension cord one way. If the plug does not fit into the extension cord properly, reverse the plug. If the plug still does not fit, obtain a proper polarized extension cord. A polarized extension cord must be plugged into a polarized wall outlet. This plug will only fit into the polarized outlet one way. If the plug does not fit into the outlet properly, reverse the plug. If the plug still does not fit, contact a qualified electrician to install a proper outlet. Do not alter the lawn mower's plug, the receptacle on the extension cord, or the plug on the extension cord in any way.
- Household circuit: This mower is designed to operate on a 15 A circuit. If the mower has difficulty starting when connected to a circuit that contains a standard 15 A fuse or circuit breaker, call the service center. Do not use a fuse or circuit breaker with higher rating than that specified for your particular branch circuit.
- Do not abuse the cord by pulling the mower by the cord or yanking on the cord in order to disconnect it from the outlet. Keep the cord away from heat, oil, and sharp edges.
- Many injuries occur as a result of the mower being pulled over the operator's foot during a fall caused by slipping or tripping. Do not operate this mower in bare feet, or while wearing sandals or lightweight (e.g.: canvas) shoes. Do not hold on to the mower if you are falling. Release the handle immediately.
- Never pull the mower back toward you while you are walking. If you must back the mower away from a wall or an obstruction, first look down and behind in order to avoid tripping, and then follow these steps:
 - Step back from the mower in order to fully extend your arms.
 - Be sure that you are well balanced.
 - Pull the mower back slowly.
 - Repeat these steps as necessary.
- Do not use mower for any job except that for which it is intended. Do not force the mower.
- Do not operate the mower while under the influence of alcohol or drugs.
- Stay Alert: Do not operate the mower when you are tired. Pay attention to what you are doing. Use common sense.
- Do not put hands or feet near rotating parts or under the cutting deck. Contact with the blade can amputate hands and feet.
- Do not attempt to adjust the wheels or the cutting height while the motor is running.
- Avoid dangerous environments. Do not operate the mower in the rain or in wet or damp grass.
- Mow only in daylight or in good artificial light. Do not rush a mowing job.
- Stop the blade when crossing gravel driveways, walkways, or roads.
- If the mower starts to vibrate abnormally, stop the motor, unplug the power source and check for the cause immediately. Vibration is generally a sign that the mower is not working properly or needs repair.
- Stop the motor and wait until the blade comes to a complete stop before removing the grass catcher or unlogging the chute. The cutting blade will continue to rotate for a few seconds after the motor is shut off. Do not place any part of your body in the blade area until you are sure that the blade has stopped rotating.
- Never operate the mower without a proper trail shield, discharge cover, grass catcher, switch control, or other safety protective devices in place and in working order. Do not operate the mower with a damaged safety devices. Doing so can result in injury.
- To reduce the risk of injury to persons, do not operate without grass catcher or guards in place.
- To reduce the risk of injury, inspect catcher assembly frequently and replace with recommended replacement if there are signs of wear or deterioration. Any replacement assembly should be checked for compliance with the original manufacturer's recommendations or specifications.
- Don't Overreach – Keep proper footing and balance at all times.
- Disconnect Lawn Mower – Disconnect the lawn mower from the power supply when not in use, before servicing, when changing accessories such as blades, and the like.
- If lawn mower strikes a foreign object, follow these steps:
 - Stop lawn mower. Release the switch.
 - Unplug power cord.
 - Inspect for damage.
 - Repair any damage before restarting and operating the lawn mower.
- Use identical replacement blades only.
- Store indoors, and do not expose to rain or water, avoid direct sunshine.

2.2 SLOPE OPERATION

Slopes are a major factor related to slip-and-fall accidents, which can result in severe injury. Operation on slopes requires extra caution. If you feel uneasy on a slope, do not mow it.

Do:

- Mow across the face of slopes; never mow up and down. Exercise extreme caution when changing direction on slopes.
- Watch for holes, ruts, rocks, hidden objects, or bumps which can cause you to slip or trip. Tall grass can hide obstacles.

Do not:

- Mow excessively steep slopes.

- Mow near drop-offs, ditches or embankments; you could lose your footing or balance.
- Mow slopes greater than 15 degrees.
- Mow on wet grass. Unstable footing could cause slipping.

2.3 CHILDREN AND BYSTANDERS

Tragic accidents can occur if the operator is not alert to the presence of children or bystanders.

- Keep the area of operation clear of all persons, particularly small children, and pets.
- Use extreme care when approaching blind corners, doorways, shrubs, trees, or other objects that may obscure your vision of a child or bystander. Keep children, bystanders, helpers and pets at least 100 feet (30m) from the mower while it is in operation. Stop the machine if anyone enters the area.
- Never allow children under 14 years old to operate a power mower. Operators 14 years old and over should fully read and understand the operator's manual and safety rules. Only responsible individuals who are familiar with these rules of safe operation should be allowed to use this machine.

2.4 SERVICE

- When servicing the mower, use only replacement parts that are listed in this manual. The use of parts that do not meet the original equipment specifications may lead to improper performance, and may compromise safety.
- Before cleaning, repairing, or inspecting, verify that the blade and all moving parts have come to a complete stop. In order to prevent accidental start-ups, disconnect the power cord when the mower is not in use.
- Follow the instructions for lubricating and changing accessories.
- Inspect the lawn mower's power cord and extension cords regularly, and replace them immediately if they are damaged. In order to obtain replacement parts, call the service center.
- Keep the handles dry, clean, and free of oil and grease.
- In order to reduce the risk of fire, keep the motor free of grass, leaves, and debris build-up.
- Check the blade and the motor mounting bolts for proper tightness frequently. Visually inspect blade for damage (e.g., bent, cracked, or worn).
- For best and safest performance, maintain the mower with care. Keep the mower blade sharp and clean. Mower blades are sharp, and can cut. Wrap the blades or wear gloves, and use extra caution when servicing.
- Keep all nuts, bolts, and screws tight in order to be sure that the mower is in safe working condition.
- Do not tamper with safety devices. Check them regularly for proper operation.
- After striking a foreign object, stop the motor and disconnect the power cord. Thoroughly inspect the mower for any damage. Repair any damage before operating the mower.

- The grass catcher components, discharge cover, and trail shield are subject to wear and damage, which could expose moving parts or allow objects to be thrown. As a safety precaution, check the components frequently and immediately replace any parts that show signs of wear, or that are cracked or broken. Use original equipment manufacturer's (OEM) parts only, as listed in this manual.
- When it is not in use, store the mower indoors in a dry area, locked up or out of the reach of children.

2.5 DOUBLE INSULATED LAWN MOWER

- Double insulation eliminates the need for the usual three-wire grounded power cord and grounded power supply system. Wherever there is electric current in the mower, there are two complete sets of insulation to protect the user. All exposed metal parts are isolated from the internal metal motor components by protecting insulation.

i IMPORTANT

Servicing a lawn mower with double insulation requires extreme care and knowledge of the system, and should only be performed by a qualified service technician. If repairs are required, call the service center. Always use original factory replacement parts when servicing.

▲ WARNING

IT IS YOUR RESPONSIBILITY! To restrict the use of this mower to people who have read and understand the warnings and instructions that appear in this manual and on the mower and who will follow them.

3 ELECTRICAL

▲ WARNING

The double insulated system is intended to protect the user from shock resulting from a break in the tool's internal insulation. Observe all normal safety precautions to avoid electrical shock.

Electrical connection

This product has a precision-built electric motor. It should be connected to a power supply that is 120 V, AC only (normal household current), 60 Hz. Do not operate this product on direct current (DC). A substantial voltage drop will cause a loss of power and the motor will overheat. If the product does not operate when plugged into an outlet, double-check the power supply.

Extension cords

When using a power tool at a considerable distance from a power source, be sure to use an extension cord that has the capacity to handle the current the product will draw. An undersized cord will cause a drop in line voltage, resulting in overheating and loss of power. Use the chart to determine the minimum wire size required in an extension cord. Only round

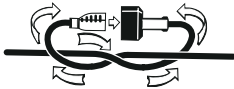
jacketed cords listed by Underwriter's Laboratories (UL) should be used.

When working outdoors with a product, use an extension cord that is designed for outside use. This type of cord is designated with "W-A" or "W" on the cord's jacket.

Before using any extension cord, inspect it for loose or exposed wires and cut or worn insulation.

A proper extension cord is available at an authorized service center.

It is possible to tie the extension cord and power cord in a knot to prevent them from becoming disconnected during use. Make the knot as shown in the figure, then connect the plug end of the power cord into the receptacle end of the extension cord. This method can also be used to tie two extension cords together.



Minimum Gauge for Extension Cords (AWG)

(when using 120 V only)

Amp Rating		Total Length of Cord in Feet (meters)			
More Than	Not More Than	25' (7.6 m)	50' (15 m)	100' (30.4 m)	150' (45.7m)
0	6	18	16	16	14
6	10	18	16	14	12
10	12	16	16	14	12
12	16	14	12	Not Recommended	

Keep the extension cord clear of the working area. Position the cord so that it will not get caught on lumber, tools, or other obstructions while you are working with a power tool. Failure to do so can result in serious personal injury.


Check extension cords before each use. If damaged replace immediately. Never use the product with a damaged cord since touching the damaged area could cause electrical shock resulting in serious injury.

4 SYMBOLS ON THE PRODUCT

Some of the following symbols may be used on this tool. Please study them and learn their meaning. Proper interpretation of these symbols will allow you to operate the tool better and safer.




Symbol	Name	Explanation
V	Volt	Voltage
A	Amperes	Current

Symbol	Name	Explanation
Hz	Hertz	Frequency (cycles per second)
W	Watt	Power
min	Minutes	Time
/min	Per Minute	Revolutions, strokes, surface speed, orbits etc., per minute
	Alternating Current	Type of current
	Direct Current	Type or a characteristic of current
n ₀	No Load Speed	Rotational speed, at no load
	Safety Alert	Precautions that involve your safety.
	Eye Protection	Always wear eye protection with side shields marked to comply with ANSI Z87.1 when operating this equipment.
	WARNING --- Wet Conditions	Do not expose the product to rain or moist conditions.
	Read Operator's Manual	To reduce the risk of injury, user must read and understand operator's manual before using this product.
	Maintain Safety Devices	Do not open or remove safety devices while the tool is running.
	Looking Behind While Backing	Look down and behind first to avoid tripping when pulling back.
	DANGER --- Keep Hands and Feet Away	To reduce the risk of injury, keep hands and feet away from rotating parts. Do not operate unless discharge cover or grass bag is in its proper place. If damaged, replace immediately.
	DANGER --- Keep Bystanders Away	All visitors should be kept at a distance from work area.
	DANGER --- Thrown Debris	Remove objects that can be thrown by the blade in any direction. Wear safety glasses.

Symbol	Name	Explanation
	DANGER --- Steep Slope Hazard	Use extra caution on slopes. do not mow slopes greater than 15 degrees.

5 RISK LEVELS

The following signal words and meanings are intended to explain the levels of risk associated with this product.

SYM-BOL	SIGNAL	MEANING
	DANGER	Indicates an imminently hazardous situation, which, if not avoided, will result in death or serious injury.
	WARNING	Indicates a potentially hazardous situation, which, if not avoided, could result in death or serious injury.
	CAUTION	Indicates a potentially hazardous situation, which, if not avoided, may result in minor or moderate injury.
	CAUTION	(Without Safety Alert Symbol) Indicates a situation that may result in property damage.

6 PROPOSITION 65

▲ WARNING

This product contains a chemical known to the state of California to cause cancer, birth defects or other reproductive harm. Some dust created by power sanding, sawing, grinding, drilling, and other construction activities contains chemicals known to cause cancer, birth defects or other reproductive harm. Some examples of these chemicals are:

- Lead from lead-based paints;
- Crystalline silica from bricks and cement and other masonry products;
- Arsenic and chromium from chemically treated lumber.

Your risk of exposure to these chemicals varies depending on how often you do this type of work. To reduce your exposure to these chemicals, work in a well-ventilated area, and work with approved safety equipment, such as dust masks that are specially designed to filter out microscopic particles.

Save these instructions.

7 INSTALLATION

▲ WARNING

Do not change or make accessories that are not recommended by the manufacturer.

▲ WARNING

Do not connect the machine to the power supply until you assemble all the parts.

7.1 UNPACK THE MACHINE

▲ WARNING

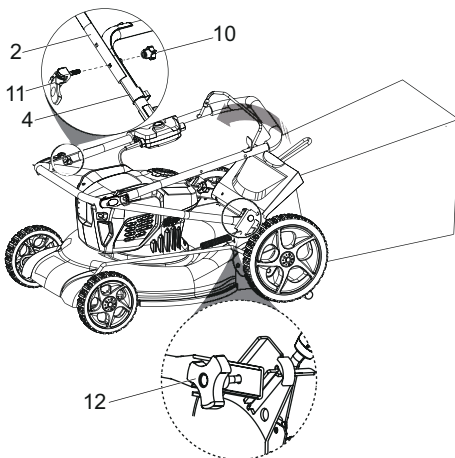
Make sure that you correctly assemble the machine before use.

▲ WARNING

- If the parts are damaged, do not use the machine.
- If you do not have all the parts, do not operate the machine.
- If the parts are damaged or missing, speak to the service center.

1. Open the package.
2. Read the documentation in the box.
3. Remove all the unassembled parts from the box.
4. Remove the machine from the box.
5. Discard the box and package in compliance with local regulations.

7.2 UNFOLD AND ADJUST THE HANDLE



1. Pull up and back the upper handle (2) to lift the handle into operation position. Make sure that the handles click into position correctly.
2. Tighten the lower handle (4) with the knobs (12) on the two sides.
3. Tighten the upper handle (2) with the cam locks (11) and knobs (10) on the two sides.

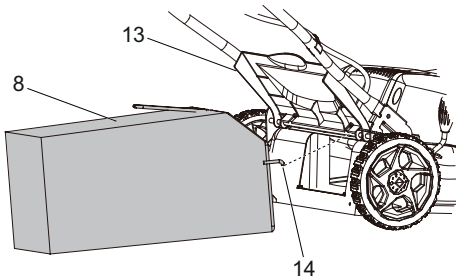
i NOTE

Make sure that the two handles are in the same position.

▲ WARNING

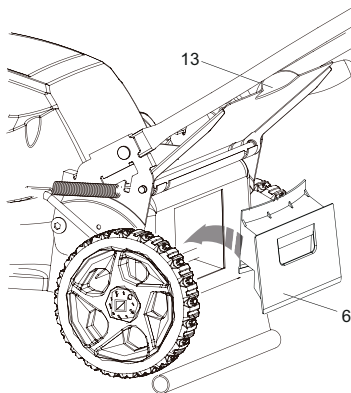
Do not make damage to the cables when you fold or unfold the handle.

7.3 INSTALL THE GRASS CATCHER



1. Remove the mulch plug.
2. Open the rear discharge door (13) and hold it.
3. Hold the the grass catcher (8) by its handle and engage the hooks (14) on the door rod.
4. Close the rear discharge door.

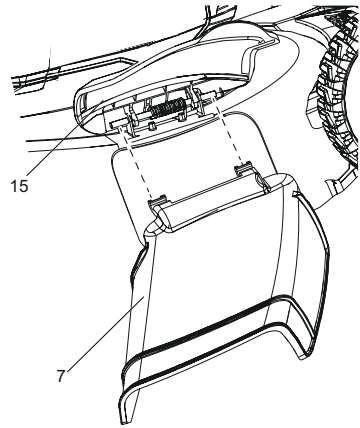
7.4 INSTALL THE MULCH PLUG



1. Remove the grass catcher.

2. Open the rear discharge door (13) and hold it.
3. Hold the mulch plug (6) by its handle and fit it in the discharge chute.
4. Close the rear discharge door.

7.5 INSTALL THE SIDE DISCHARGE CHUTE



▲ CAUTION

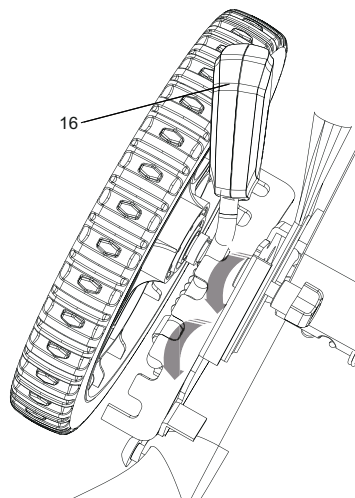
When you use the side discharge chute,

- Do not install the grass catcher.
- Keep the mulch plug installed.

1. Open the side discharge door (15) and hold it.
2. Line up the recesses of the side discharge chute (7) below the pivot.
3. Close the side discharge door.

7.6 SET THE CUTTING HEIGHT

The machine can be set to different blade heights.



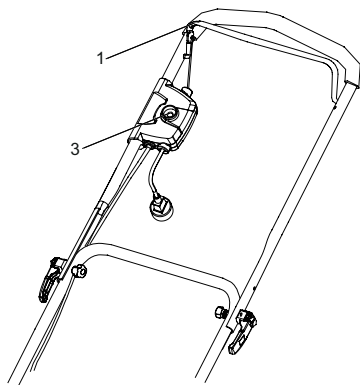
1. Pull the height adjustment lever (16) rearward to increase the blade height.
2. Pull the height adjustment lever forward to decrease the blade height.

8 OPERATION

▲ WARNING

Wear eye protection during operation.

8.1 START THE MACHINE



i NOTE

The mower is equipped with a protector (it's a device that is calibrated to open the motor circuit upon reaching a certain temperature/current but requires both cool down below the calibration point and removal of power for resetting of the protector) to stop the mower if blade is stuck or overload occurs. When the protection happens, the operator should release the bail switch and pull the plug immediately, then restart the mower after at least 5 minutes.

1. Connect the machine into an approved outdoor extension cable.
2. Push and hold the start button (3).
3. While you hold the start button, pull the bail switch (1) in the direction of the handle bar.
4. Release the start button to start the machine.

8.2 STOP THE MACHINE

1. Release the bail switch to stop the machine.

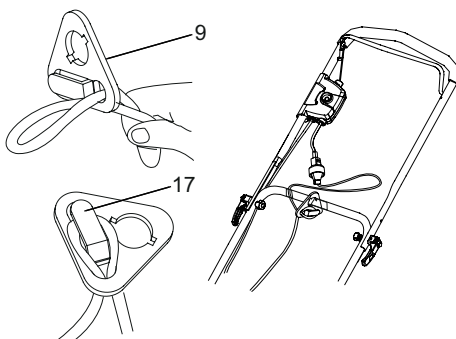
▲ WARNING

Wait until the blades fully stop before you start the machine again. Do not quickly turn the machine off and on.

▲ WARNING

Always disconnect from the power supply after you complete the work.

8.3 USE THE CORD RETAINER



In the condition that the extension cable disconnects from the power supply during operation, the machine contains a cord retainer. The cord retainer hangs from the cord guide bar.

i NOTE

Make a loop of the extension cable around the cord retainer (9) before we connect the extension cable into the outlet.

To use the cord retainer:

1. Make a tight loop near the cord retainer (9).

- Push the loop through the bottom hole in the cord retainer.
- Move the loop over the retaining clip (17), and pull down until the cable attaches to the cord retainer.

8.4 EMPTY THE GRASS CATCHER

- Stop the machine.
- Disconnect the machine from the power supply.
- Open the rear discharge door and hold it.
- Hold the grass catcher by its handle and unhook it from the slots.
- Close the rear discharge door.
- Empty the grass catcher.

8.5 OPERATE ON SLOPES

▲ WARNING

Do not mow on the slopes with incline more than 15°. If you are not comfortable, do not mow on a slope.

- Do not go up and down on a slope, mow across the face of the slope. Be careful when you change the direction on a slope.
- Monitor the holes, ruts, rocks, and other hidden objects that can cause you to fall. Remove all obstacles such as rocks and tree limbs.
- Make sure that your footing is stable. If you are out of balance, release the bail switch immediately.
- Do not mow near drop-offs, ditches, or embankments.

8.6 OPERATION TIPS

- Do not try to override the operation of the start button or bail switch.
- Do not tilt the machine when you start it.
- Do not put hands or feet near or below the turning parts.
- Keep the discharge chute clean.
- Do not cut wet grass.
- Higher blade height is necessary for new or thick grass.
- Clean the bottom of the mower deck after each use. Remove grass clippings, leaves, dirt, and other debris.

9 MAINTENANCE

▲ WARNING

Disconnect the machine from power supply before maintenance.

▲ WARNING

Keep the engine free from grass, leaves or too much grease.

▲ CAUTION

Use only approved replacement parts.

▲ CAUTION

Do not let brake fluids, gasoline, petroleum-based materials touch the plastic parts. Chemicals can cause damage to the plastic, and make the plastic unserviceable.

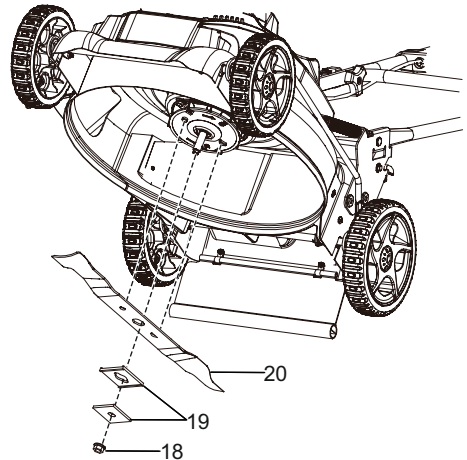
▲ CAUTION

Do not use strong solvents or detergents on the plastic housing or components.

9.1 GENERAL MAINTENANCE

- Before each use, examine the machine for damaged, missing, or loose parts such as screws, nuts, bolts and caps.
- Tighten correctly all the fasteners and caps.
- Clean the machine with a dry cloth. Do not use water.

9.2 REPLACE THE BLADE



▲ WARNING

Use only approved replacement blades.

▲ WARNING

Wear heavy gloves or wind cloth around the blade when you touch the blade.

- Stop the machine.
- Make sure that the blade fully stops.
- Disconnect the machine from the power supply.
- Turn the machine to its side.

5. Use a piece of wood to prevent the movement of the blade.
6. Remove the mounting nut (18) and spacers (19) with a wrench or socket.
7. Remove the blade (20).
8. Install the new blade. Make sure that the raised points engage the holes in the blade.
9. Put in the mounting nut and spacers and tighten them. Recommended tightening torque: 33-37 N.M.

9.3 STORE THE MACHINE

- Clean the machine before storage.
- Make sure the motor is not hot when you put the machine into storage.
- Make sure that the machine does not have loose or damaged parts. If it is necessary, do these steps/ instructions:
 - Replace the damaged parts.
 - Tighten the bolts.
 - Speak to a person of an approved service center.
- Store the machine in a dry area.
- Make sure that children cannot come near the machine.

You may lower the handle(s) before you put the machine into the storage.

1. Fully loosen the handle fasteners on the sides of the handle(s).
2. Fold away the handle(s).
3. Do not pinch or trap the cables.

10 TROUBLESHOOTING


Problem	Possible cause	Solution
The handle is not in position.	The bolts are not engaged correctly.	Adjust the height of the handle and make sure that the knobs and bolts are aligned correctly.
The machine does not start.	The extension cable is not connected to the outlet.	Reconnect the cable.
	The extension cable is not connected to the power supply.	Connect the extension cable to a live 120V AC, 60 HZ AC receptacle.
	The bail switch is defective.	Replace the bail switch.

Problem	Possible cause	Solution
The machine cuts grass unevenly.	The lawn is rough.	Examine the mowing area.
	The blade height is not set correctly.	Move the wheels to a higher position.
The machine does not mulch correctly.	Wet grass clippings attach to the deck.	Wait until the grass dries before mowing.
	The mulch plug is missing.	Install the mulch plug.
The machine is hard to push.	The grass is too tall, or the blade height is too low.	Increase the blade height.
	The grass catcher and the blade drags in thick grass.	Empty the grass clippings from the grass catcher.
There is a high vibration in the machine.	The blade is unbalanced and worn.	Replace the blade.
	The engine shaft is bent.	<ol style="list-style-type: none"> 1. Stop the engine. 2. Disconnect the power supply. 3. Inspect for damage. 4. Repair the machine before you start it again.
The machine stops during mowing.	The blade height is too low.	Increase the blade height.
	The grass clippings attach to the deck or the blade.	Disconnect the power supply and check the deck.
	Operation temperature of the machine is too high.	Cool the machine.

* If you cannot find the solution to these problems, go to the service center.

11 TECHNICAL DATA

Motor	120 V AC, 60 Hz, 13 A
No load speed	3600 RPM
Height adjustments	1 3/8 - 3 3/4" (3.5 - 9.5 cm)
Functions	3-in-1 Mulch & rear bag & side discharge

Weight	24 kg (53 lbs.)
Double-insulated construction	

Mooresville, NC 28115 Newmarket, ON, L3Y 7B7

12 LIMITED WARRANTY



Greenworks hereby warrants this product, to the original purchaser with proof of purchase, for a period of three (3) years against defects in materials, parts or workmanship. Greenworks, at its own discretion will repair or replace any and all parts found to be defective, through normal use, free of charge to the customer. This warranty is valid only for units which have been used for personal use that have not been hired or rented for industrial/commercial use, and that have been maintained in accordance with the instructions in the owners' manual supplied with the product from new.

ITEMS NOT COVERED BY WARRANTY:

1. Any part that has become inoperative due to misuse, commercial use, abuse, neglect, accident, improper maintenance, or alteration; or
2. The unit, if it has not been operated and/or maintained in accordance with the owner's manual; or
3. Normal wear, except as noted below;
4. Routine maintenance items such as lubricants, blade sharpening;
5. Normal deterioration of the exterior finish due to use or exposure.

HELPLINE:

Warranty service is available by calling our toll-free helpline, at 1-888-909-6757.

TRANSPORTATION CHARGES:

Transportation charges for the movement of any power equipment unit or attachment are the responsibility of the purchaser. It is the purchaser's responsibility to pay transportation charges for any part submitted for replacement under this warranty unless such return is requested in writing by Greenworks.

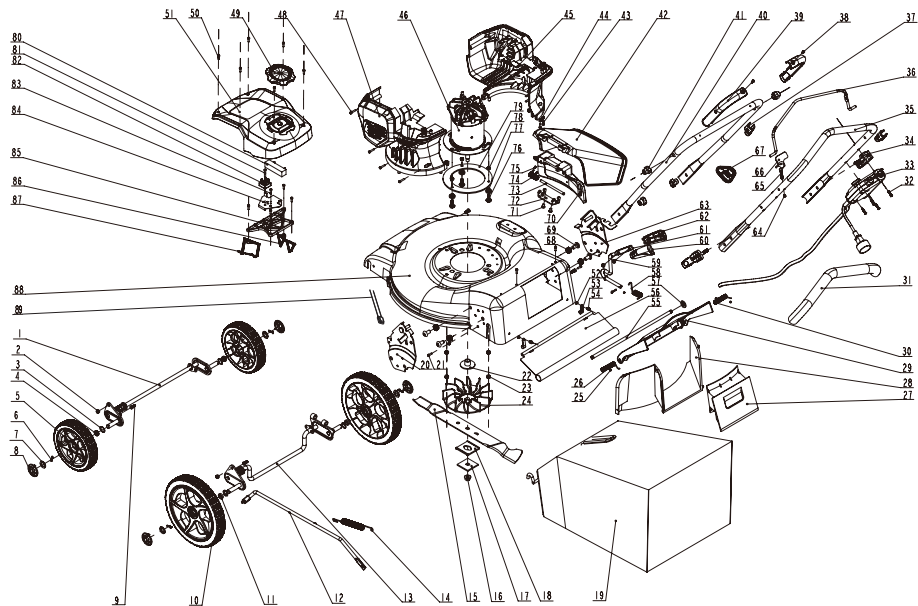
USA address:

Greenworks Tools
P.O. Box 1238

Canadian address:

Greenworks Tools Canada Inc.
1110 Stellar Drive Unit 102

13 EXPLODED VIEW



No.	Part No.	Description	Qty.
1	333071161	Front wheel axle	1
2	3220537	Self-lock nut M6	2
3	3330384	Wave-shaped ring	4
4	3320639	Rubber wheel washer	2
5	31102488-5	7" wheel	2
6	3290135	Split pin	5
7	3220898	Washer	4
8	34106488-5	Wheel cover	4
9	322011163	Screws	4
10	31103488A	10" wheel	2
11	3320237	Rubber wheel washer B	2
12	33303227-7	Link bar	1
13	31102222	Rear wheel axle	1
14	3340137-2	Spring	1
15	33313250-2	Blade	1
16	3221037A	Nut M10x1.25	1
17	3331435A	Square block	1
18	3410535	Blade insulator	1
19	311082325	Catcher bag assembly	1

No.	Part No.	Description	Qty.
20	33302222-1	Height adjustment bracket (left)	1
21	32201235D	Screw M6x8	4
22	3320238A	Spindle bushing	1
23	32208261	Nut	4
24	3410237A	Fan	1
25	3420436	Spring cover	3
26	33304235	Rear cover spring (left)	1
27	34104236	Mulching plug	1
28	34106236	Rear baffle	1
29	34103236-5	Rear cover	1
30	33302235	Rear cover spring (right)	1
31	34135486	Sponge tube	1
32	32204113D	Screw	4
33	31102489B	Switch box assembly	1
34	31102467D	Quick release fastener	2
35	333022325	Upper handle	1
36	33305469D	Power lever	1
37	341081165	Cord retainer	2
38	32205590	Screw	2
39	341062325	Isolation sleeve	2
40	333032325	Lower handle	1
41	34106467-1	Handle knob	4
42	3410438-3	Side discharge chute	1
43	3220246D	Screw	2
44	3411435	Line pressing board	1
45	341031576A	Right main house	1
46	36101489	Motor	1
47	341042325	Left main house	1
48	322081163	Screw	4
49	341071576	Decorative cover	1
50	32207110D	Screw	10
51	341022325	Upper cover	1
52	3221237	Self-lock nut M4	2
53	333061161-1	Cord Clip	2
54	322061163	Screw	2
55	3320138-1	Rear cover rod	1
56	34127229	Rear shield	1
57	3290506	Clip washer	1

No.	Part No.	Description	Qty.
58	33401222	Spring	1
59	322001072	Screw	2
60	341121161B	Right housing of handle	1
61	333021161-1	Height adjustmnet handle welding component	1
62	341131161B	Left housing of handle	1
63	33305222-1	Height adjustment bracket (right)	1
64	3220439	Self-lock nut M5	5
65	32208234A	Bolt	1
66	33323250-1	Limit piece	1
67	34120227	Cord retainer	1
68	3220737	Nut	4
69	3221637D	Screw	4
70	3410338-4	Side discharge cover	1
71	3220136	Screw	2
72	3330637A	Side discharge bracket	1
73	3320338A	Side discharge axle	1
74	3340237-1	Spring	1
75	3420207	Rubber bushing	2
76	3220135D	Screw	3
77	34112480	Nylon bushing	3
78	3220537	Self-lock nut M6	3
79	342101179	Motor rubber pad	1
80	369011161	Electric resistance	1
81	3220404D	Screw	1
82	369032329	Conducting bridge	1
83	3220505D	Screw	1
84	33301475	Resistance heat radiator	1
85	341032325	Fixing bracket for radiation fin	1
86	341111576	Right sponge frame	1
87	341101576	Left sponge frame	1
88	333012325	Deck	1
89	363012329	Protector	1

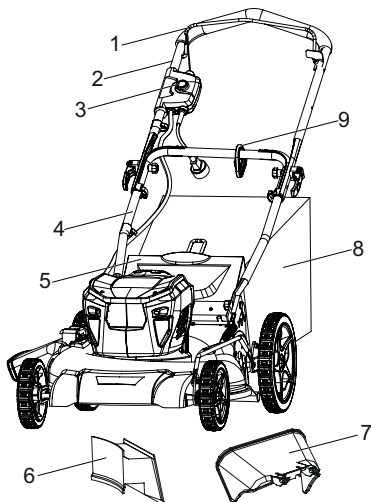
1	Description.....	18			
1.1	But	18	7.4	Installez le bouchon de déchetage.....	24
1.2	Aperçu.....	18	7.5	Installez la goulotte d'éjection latérale.....	24
2	Lisez toutes les instructions	18	7.6	Réglez la hauteur de coupe.....	24
2.1	Fonctionnement.....	18	8	Utilisation.....	25
2.2	Utilisation sur une pente.....	20	8.1	Démarrez la machine.....	25
2.3	Les enfants et les curieux	20	8.2	Arrêtez la machine.....	25
2.4	Service.....	20	8.3	Utilisez le dispositif de retenue du cordon.....	25
2.5	Tondeuse à double isolation.....	20	8.4	Videz le sac arrière.....	26
3	Électrique.....	21	8.5	Travaillez sur les pentes.....	26
4	Symboles figurant sur la machine.....	21	8.6	Conseils sur l'utilisation.....	26
5	Niveaux de risques.....	22	9	Entretien.....	26
6	Proposition 65.....	23	9.1	Entretien général	26
7	Installation.....	23	9.2	Remplacez la lame	27
7.1	Déballez la machine.....	23	9.3	Entreposez la machine.....	27
7.2	Déployez et réglez le guidon.....	23	10	Dépannage.....	27
7.3	Installez le sac arrière.....	24	11	Données techniques.....	28
			12	Garantie limitée.....	28
			13	Vue éclatées.....	29

1 DESCRIPTION

1.1 BUT

Cette machine est utilisée pour tondre le gazon à la maison. La lame de coupe doit être approximativement parallèle au sol. Les quatre roues doivent toucher le sol pendant que vous tondez.

1.2 APERÇU



- 1 Barre de sécurité
- 2 Partie supérieure du guidon
- 3 Bouton de démarrage
- 4 Poignée inférieure
- 5 Trappe d'éjection arrière
- 6 Bouchon de déchetage
- 7 Goulotte d'éjection latérale
- 8 Sac arrière
- 9 Dispositif de retenue du cordon

2 LISEZ TOUTES LES INSTRUCTIONS

▲ DANGER

Cette machine a été fabriquée pour être utilisée conformément aux consignes de sécurité qui figurent dans ce manuel. Comme avec tout autre type d'équipement motorisé, la négligence ou une erreur de la part de l'utilisateur peut provoquer des blessures graves. Cette machine est capable d'amputer les mains et les pieds et de projeter des objets. Le non-respect de toutes les consignes de sécurité peut entraîner des blessures graves, voire mortelles.

i REMARQUE

Lorsque vous utilisez une tondeuse à gazon électrique, des précautions de sécurité de base doivent toujours être prises pour réduire les risques d'incendie, de choc électrique et de blessures corporelles. Ces précautions de base comprennent ce qui suit :

2.1 FONCTIONNEMENT

- Lisez attentivement toutes les instructions sur la tondeuse et dans le manuel d'utilisation avant d'essayer d'assembler ou d'utiliser la tondeuse. Conservez ce manuel dans un endroit sûr pour référence future et consultez-le régulièrement.
- Familiarisez-vous avec toutes les commandes et leur bon fonctionnement. Sachez comment arrêter la tondeuse et comment couper l'alimentation électrique en cas d'urgence.
- Ne laissez pas un enfant de moins de 14 ans utiliser cette tondeuse. Les enfants de 14 ans et plus doivent lire et comprendre les instructions d'utilisation et les règles de sécurité contenues dans ce manuel et doivent être formés et supervisés par un parent.
- Ne laissez personne utiliser cette tondeuse avant d'avoir lu et compris les instructions.
- Pour éviter tout contact avec la lame ou toute blessure causée par un objet projeté, restez dans la zone de l'opérateur derrière les guidons et gardez les enfants et les curieux à au moins 30 m (100 pi) de la tondeuse pendant son fonctionnement. Arrêtez immédiatement le moteur si une personne pénètre dans la zone de tonte.
- Inspectez soigneusement la zone où l'équipement doit être utilisé. Enlevez tous les cailloux, les bâtons, les fils métalliques, les os, les jouets et autres objets étrangers qui pourraient faire trébucher ou être projetés par la lame. Les objets projetés peuvent causer des blessures corporelles graves.
- Planifiez votre tracé de tonte de manière à éviter tout déversement de matériaux vers les routes, les trottoirs, les passants, etc. Ne pas décharger les débris contre un mur ou un obstacle. De cette façon, les débris éventuels ne risquent pas de ricocher et de blesser l'opérateur.
- Portez toujours des lunettes de protection appropriée afin de protéger vos yeux lorsque vous opérez ou effectuez un ajustement ou une réparation. Les objets projetés qui ricochent peuvent causer de graves blessures aux yeux.
- Toujours porter un masque facial ou un masque anti-poussière pendant l'utilisation de la tondeuse dans un endroit poussiéreux.
- Habillez-vous correctement. Ne portez pas de vêtements amples ou de bijoux qui pourraient se coincer dans les pièces en mouvement. Le port de gants de protection et de chaussures de sécurité est recommandé.
- Afin d'éviter tout risque de choc électrique, n'utilisez cette tondeuse qu'avec une rallonge électrique homologuée CSA/UL pour une utilisation extérieure, tel que Type SW, SOW, STW, STOW, SJW, SJOW, SJOW, SJTW ou SJTOW.

- Rallonge électrique : Vérifiez que la rallonge électrique est en bon état, qu'elle est bien calibrée pour supporter le courant que votre tondeuse va supporter et qu'elle est polarisée (une lame de la prise est plus large que l'autre). Une rallonge de 7.6 m (25 pi) devrait être de calibre 14, une rallonge de 15 m (50 pi) devrait être de calibre 12. Des cordons trop petits provoquent une chute de la tension secteur, ce qui entraîne une perte de puissance et une surchauffe.
- Pour réduire le risque de choc électrique, cette tondeuse à gazon est équipée d'une fiche polarisée (une lame est plus large que l'autre), et doit être utilisée avec une rallonge polarisée. La fiche de la tondeuse à gazon ne s'insère dans la rallonge polarisée que dans un sens. Si la fiche ne rentre pas correctement dans la rallonge, inversez-la. Si la fiche ne s'adapte toujours pas, obtenez une rallonge électrique polarisée appropriée. Une rallonge électrique polarisée doit être branchée dans une prise murale polarisée. Cette fiche ne peut s'adapter que d'un côté dans une prise de courant polarisée. Si la fiche ne rentre pas correctement dans la prise, inversez-la. Si la fiche ne s'insère pas dans la prise, communiquez avec un électricien qualifié pour installer une prise appropriée. Ne modifiez pas la prise de la tondeuse, la prise de courant de la rallonge ou la fiche de la rallonge de quelque façon que ce soit.
- Circuit de la maison : Cette tondeuse est conçue pour fonctionner sur un circuit de 15 A. Si la tondeuse a du mal à démarrer lorsqu'elle est connectée à un circuit contenant un fusible ou un disjoncteur standard de 15 A, appelez le centre de service. N'utilisez pas un fusible ou un disjoncteur dont le calibre est supérieur à celui spécifié pour votre circuit de dérivation particulier.
- Ne malmenez pas le cordon en l'utilisant pour tirer la tondeuse ou en tirant dessus pour la débrancher de la prise. Éloignez le cordon de la chaleur, de l'huile et des bords tranchants.
- De nombreuses blessures surviennent lorsque la tondeuse est tirée sur le pied de l'opérateur lors d'une chute causée par un glissement ou un trébuchement. N'utilisez pas cette tondeuse pieds nus ou en sandales, en chaussures légères (par ex., en toile). Ne vous accrochez pas à la tondeuse si vous tombez. Relâchez immédiatement le guidon.
- Ne tirez jamais la tondeuse vers vous lorsque vous marchez. Si vous devez reculer la tondeuse loin d'un mur ou d'un obstacle, regardez d'abord vers le bas et derrière pour éviter de trébucher, puis suivez ces étapes :
 - Éloignez-vous de la tondeuse pour allonger complètement vos bras.
 - Assurez-vous de rester bien en équilibre.
 - Tirez lentement sur la tondeuse.
 - Répétez ces étapes, au besoin.
- N'utilisez la tondeuse à gazon que pour les travaux auxquels elle est destinée. Ne forcez pas la tondeuse.
- N'utilisez pas la tondeuse si vous êtes sous l'influence d'alcool ou de drogues.
- Soyez vigilant : N'utilisez pas la tondeuse lorsque vous êtes fatigué. Soyez attentif à ce que vous faites. Faites appel à votre bon sens.
- Ne placez jamais vos mains ou vos pieds près d'une pièce en mouvement ou sous le plateau de coupe. La lame en mouvement peut amputer les mains et les pieds.
- N'essayez pas de régler les roues ou la hauteur de coupe lorsque le moteur tourne.
- Évitez les endroits dangereux. N'utilisez pas la tondeuse sous la pluie ou sur une herbe humide.
- Ne tondez qu'à la lumière du jour ou sous une bonne lumière artificielle. N'exécutez pas la tonte dans la précipitation.
- Arrêtez la lame lorsque vous traversez des chemins de gravier, des chemins ou des routes.
- Si la tondeuse commence à vibrer anormalement, arrêtez le moteur, débranchez la source d'alimentation et vérifiez immédiatement la cause. Les vibrations sont généralement un signe que la tondeuse ne fonctionne pas correctement ou qu'elle doit être réparée.
- Arrêtez le moteur et attendez l'arrêt complet de la lame avant de retirer le bac de ramassage d'herbe ou de déboucher la goulotte. La lame continuera à tourner pendant quelques secondes après que le moteur s'est éteint. Ne placez aucune partie de votre corps dans la zone de la lame jusqu'à ce que vous soyez sûr que la lame a cessé de tourner.
- N'utilisez jamais la tondeuse sans un bouclier de protection approprié, un couvercle d'évacuation, un sac arrière, un commutateur de commande ou d'autres dispositifs de protection de sécurité en place et en état de fonctionnement. N'utilisez jamais la tondeuse si des dispositifs de sécurité sont endommagés. Le faire peut causer de sérieuses blessures.
- Pour réduire les risques de blessures, ne pas travailler sans le sac arrière ou les dispositifs de protection en place.
- Pour réduire le risque de blessure, inspectez fréquemment l'ensemble du sac arrière et remplacez-le par le dispositif de remplacement recommandé s'il y a des signes d'usure ou de détérioration, et vérifiez la conformité de tout ensemble de remplacement aux recommandations ou spécifications du fabricant original.
- Ne vous penchez pas trop, gardez un bon équilibre en tout temps.
- Débranchez la tondeuse à gazon : débranchez la tondeuse de l'alimentation électrique lorsqu'elle n'est pas utilisée, avant l'entretien, lors du remplacement des accessoires tels que les lames, etc.
- Si la tondeuse heurte un corps étranger, procédez comme suit :
 - Arrêtez la tondeuse. Relâchez l'interrupteur.
 - Débranchez la corde d'alimentation.
 - Vérifiez qu'elle n'est pas endommagée.
 - Réparez toutes les pièces endommagées avant de redémarrer et d'utiliser la tondeuse à gazon.
- Utilisez seulement des lames de rechange identiques.

- Entreposez à l'intérieur et n'exposez pas à la pluie ou à l'eau, évitez l'exposition directe au soleil.

2.2 UTILISATION SUR UNE PENTE

Les pentes sont un facteur majeur lié aux accidents de glissade et de chute, qui peuvent entraîner des blessures graves. L'utilisation sur les pentes exige une prudence supplémentaire. Si vous vous sentez mal à l'aise sur une pente, ne tondez pas du gazon.

À faire :

- Tondez sur la face des pentes ; ne tondez jamais de haut en bas. Faites très attention en changeant de direction sur une pente.
- Surveillez les trous, les ornières, les pierres, les objets cachés ou les bosses qui peuvent vous faire glisser ou trébucher. Les herbes hautes peuvent masquer des obstacles.

À ne pas faire :

- Ne tondez pas des pentes trop raides.
- Ne tondez pas près d'un dénivellement prononcé, d'un fossé ou du rebord d'un talus ; vous pourriez perdre pied ou perdre l'équilibre.
- Ne tondez pas les pentes de plus de 15 degrés.
- Ne tondez pas du gazon mouillé ou humide. L'instabilité de la posture au sol peut provoquer des glissements.

2.3 LES ENFANTS ET LES CURIEUX

Des accidents tragiques peuvent se produire si l'opérateur ne fait pas attention à la présence des enfants ou des curieux.

- Garder la zone d'opération à l'écart de toute personne, en particulier les jeunes enfants et les animaux domestiques.
- Soyez extrêmement prudent lorsque vous approchez un angle mort, une porte, un arbuste, un arbre ou tout autre objet qui pourrait obscurcir votre vision d'un enfant ou d'un curieux. Gardez les enfants, les curieux, les assistants et les animaux domestiques à au moins 30 m (100 pi) de la tondeuse lorsqu'elle est en marche. Arrêtez la machine si quelqu'un s'approche.
- Ne permettez jamais à des enfants de moins de 14 ans d'utiliser une tondeuse électrique. Les opérateurs âgés de 14 ans et plus doivent lire et comprendre le manuel d'utilisation et les règles de sécurité. Seules les personnes responsables et qui connaissent ces règles de sécurité doivent être autorisées à utiliser cette machine.

2.4 SERVICE

- Pour l'entretien de la tondeuse, utilisez seulement les pièces de rechange indiquées dans ce manuel. L'utilisation de pièces qui ne répondent pas aux caractéristiques d'origine de l'équipement peut entraîner un mauvais rendement et compromettre la sécurité.
- Avant de nettoyer, de réparer ou d'inspecter, vérifiez que la lame et toutes les pièces mobiles se sont complètement arrêtées. Pour éviter tout démarrage accidentel,

débranchez le cordon d'alimentation lorsque la tondeuse n'est pas utilisée.

- Suivez les instructions pour lubrifier et changer les accessoires.
- Inspectez régulièrement le cordon d'alimentation et les rallonges de la tondeuse et remplacez-les immédiatement s'ils sont endommagés. Pour recevoir les pièces de rechange, appelez le centre de service.
- Gardez les guidons secs, propres et exempts d'huile et de graisse.
- Afin de réduire les risques d'incendie, gardez le moteur exempt d'herbe, de feuilles et de débris.
- Vérifiez fréquemment que la lame et les boulons de fixation du moteur sont bien serrés. Inspectez visuellement la lame pour vérifier qu'elle n'est pas endommagée (p. ex., pliée, fissurée ou usée).
- Pour des performances optimales et sûres, entretenez la tondeuse avec soin. Veillez à ce que la lame de la tondeuse soit toujours tranchante et propre. Les lames de la tondeuse sont tranchantes et peuvent blesser. Enveloppez la lame avec un chiffon ou portez des gants et faites très attention en le manipulant.
- Gardez tous les écrous, boulons et vis serrés pour vous assurer que la tondeuse est en état de fonctionnement sécuritaire.
- Ne modifier les dispositifs de sécurité. Vérifiez régulièrement pour leur bon fonctionnement.
- Après avoir heurté un corps étranger, arrêtez le moteur et débranchez le cordon d'alimentation. Inspectez soigneusement la tondeuse pour vous assurer qu'elle n'est pas endommagée. Réparez les dégâts éventuels avant d'utiliser la tondeuse.
- Les composants du sac arrière, le couvercle d'éjection et l'écran de protection sont sujets à l'usure et aux dommages, ce qui pourrait exposer les pièces mobiles ou projeter la projection d'objets. Par mesure de sécurité, vérifiez fréquemment les composants et remplacez immédiatement les pièces qui montrent des signes d'usure ou qui sont fissurées ou brisées. Utilisez uniquement des pièces d'origine du fabricant de l'équipement (OEM), comme indiqué dans ce manuel.
- Lorsque la tondeuse n'est pas utilisée, rangez-la à l'intérieur dans un endroit sec, fermé à clé ou hors de portée des enfants.

2.5 TONDEUSE À DOUBLE ISOLATION

- La double isolation élimine le besoin d'un cordon d'alimentation à trois fils mis à la terre et d'un système d'alimentation à la terre. Partout où il y a du courant électrique dans la tondeuse, il y a deux ensembles complets d'isolation pour protéger l'utilisateur. Toutes les pièces métalliques exposées sont isolées des composants métalliques internes du moteur par une protection de l'isolation.

i IMPORTANT

L'entretien d'une tondeuse à double isolation nécessite un soin extrême et une connaissance approfondie du système, et ne doit être effectué que par un technicien qualifié. Si des réparations sont nécessaires, appelez le centre de service. Utilisez toujours des pièces de rechange d'origine de l'usine lors de l'entretien.

▲ AVERTISSEMENT

C'EST VOTRE RESPONSABILITÉ ! Limiter l'utilisation de cette tondeuse aux personnes qui ont lu et compris les avertissements et instructions qui figurent dans ce manuel et sur la tondeuse et qui les respectent.

3 ÉLECTRIQUE

▲ AVERTISSEMENT

Le système à double isolation est destiné à protéger l'utilisateur contre les chocs résultant d'une rupture de l'isolation interne de l'outil. Respectez toutes les mesures de sécurité normales pour éviter les chocs électriques.

Connexion électrique

Ce produit est équipé d'un moteur électrique de précision. Il doit être raccordé à une source d'alimentation de 120 V, CA seulement (courant domestique normal), 60 Hz. N'utilisez pas cet appareil avec du courant continu (C.C). Une chute de tension importante entraînera une perte de puissance et le moteur surchauffera. Si l'appareil ne fonctionne pas lorsqu'il est branché dans une prise de courant, vérifiez à nouveau l'alimentation électrique.

Rallonges électriques

Lorsque vous utilisez un outil électrique à une distance considérable d'une source d'alimentation, assurez-vous d'utiliser une rallonge électrique capable de supporter le courant que le produit consommera. Un cordon d'alimentation trop petit provoquera une chute de la tension secteur, ce qui entraînera une surchauffe et une perte de puissance. Utilisez le tableau pour déterminer la taille minimale de fil requise pour une rallonge électrique. Seuls les cordons à gaine ronde homologués par les Underwriter's Laboratories (UL) doivent être utilisés.

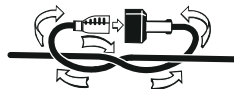
Lorsque vous travaillez à l'extérieur avec un produit, utilisez une rallonge électrique conçue pour un usage extérieur. Ce type de cordon est désigné par la mention « W-A » ou « W » sur la gaine du cordon.

Avant d'utiliser une rallonge électrique, vérifiez qu'il n'y a pas de fils détachés ou exposés et qu'il n'y a pas d'isolant coupé ou usé.

Une rallonge électrique appropriée est disponible dans un centre de service autorisé.

Il est possible d'attacher la rallonge et le cordon d'alimentation dans un nœud pour éviter qu'ils ne se débranchent pendant l'utilisation. Faites le nœud comme

indiqué sur la figure, puis branchez l'extrémité de la fiche du cordon d'alimentation dans l'extrémité de la prise du cordon d'extension. Cette méthode peut également être utilisée pour attacher deux rallonges électriques ensemble.



Jauge minimale pour rallonges (AWG)

(en cas d'utilisation de 120 V uniquement)

Capacité nominale **Longueur totale du cordon en mètres (pieds)**

Plus de	Pas plus de	7,6 m (25')	15 m (50')	30,4 m (100')	45,7 m (150')
0	6	18	16	16	14
6	10	18	16	14	12
10	12	16	16	14	12
12	16	14	12	Pas recommandé	











Gardez la rallonge électrique à l'écart de la zone de travail. Placez le cordon de manière à ce qu'il ne se coince pas dans le bois, les outils ou d'autres obstructions lorsque vous travaillez avec un outil électrique. Le non-respect de cette consigne peut entraîner des blessures corporelles.



Vérifiez les rallonges électriques avant chaque utilisation. S'il est endommagé, remplacez-le immédiatement. N'utilisez jamais l'appareil si le cordon d'alimentation est endommagé, car tout contact avec la zone endommagée pourrait provoquer un choc électrique et entraîner des blessures graves.

4 SYMBOLES FIGURANT SUR LA MACHINE

Certains des symboles suivants peuvent être utilisés sur cet outil. Veuillez les étudier et apprendre leur signification. Une bonne interprétation de ces symboles vous permettra de mieux utiliser l'outil et de manière plus sécuritaire.




Symbole	Nom	Explication
V	Volt	Voltage
A	Ampères	Courant
Hz	Hertz	Fréquence (cycles par seconde)
W	Watt	Puissance
min	Minutes	Heure

Symbole	Nom	Explication
/min	Par minute	Tours, coups, vitesse périphérique, orbites, etc., par minute
	Courant alternatif	Type de courant
	Courant direct	Type ou caractéristique du courant
n_0	Vitesse à vide	Vitesse rotationnelle, à vide
	Alerte de sécurité	Précautions destinées à assurer la sécurité.
	Protection des yeux	Portez toujours des lunettes de protection avec des protections latérales marquées conformément à la norme ANSI Z87.1 lorsque vous utilisez cet équipement.
	AVERTISSEMENT --- Conditions humides	Ne pas exposer la machine à la pluie ou à l'humidité.
	Lisez le manuel d'opérateur	Pour réduire les risques de blessures, l'utilisateur doit lire et comprendre le manuel d'utilisation avant d'utiliser ce produit.
	Entretien des dispositifs de sécurité	Ne pas ouvrir ou retirer les dispositifs de sécurité lorsque l'outil est en marche.
	Regardez derrière vous quand vous reculez	Regardez d'abord vers le bas et vers l'arrière pour éviter de trébucher lorsque vous tirez vers l'arrière.
	DANGER --- Maintenez à distance les mains et les pieds	Pour réduire les risques de blessures, éloignez les mains et les pieds des pièces en mouvement. Ne pas faire fonctionner à moins que le couvercle de décharge ou le sac d'herbe ne soit à sa place appropriée. S'il est endommagé, remplacez-le immédiatement.
	DANGER --- Gardez les gens à distance	Tous les visiteurs doivent être tenus à bonne distance de la zone de travail.

Symbole	Nom	Explication
	DANGER --- Débris rejetés	Retirez les objets qui peuvent être projetés par la lame dans n'importe quelle direction. Portez des lunettes de protection.
	DANGER --- Danger sur pente abrupte	Soyez particulièrement prudent sur les pentes. Ne tondez pas sur une pente inclinée à plus de 15°.

5 NIVEAUX DE RISQUES

Les termes de mise en garde suivants et leur signification ont pour but d'expliquer les niveaux de risques associés à l'utilisation de ce produit.

SYMBOLE	SIGNAL	SIGNIFICATION
	DANGER	Indique une situation dangereuse imminente qui, si elle n'est pas évitée, peut entraîner la mort ou des blessures graves.
	AVERTISSEMENT	Indique une situation potentiellement dangereuse qui, si elle n'est pas évitée, peut entraîner la mort ou des blessures graves.
	MISE EN GARDE	Indique une situation potentiellement dangereuse qui, si elle n'est pas évitée, pourrait causer des blessures mineures ou modérées.
	MISE EN GARDE	(Sans symbole d'alerte de sécurité) Indique une situation pouvant entraîner des dommages matériels.

6 PROPOSITION 65

▲ AVERTISSEMENT

Ce produit contient un produit chimique connu dans l'état de Californie comme étant une cause de cancer, de malformations congénitales ou d'autres problèmes de reproduction. Certaines poussières produites par le ponçage mécanique, le sciage, le meulage, le perçage et d'autres activités de construction contiennent des produits chimiques connus pour causer le cancer, des malformations congénitales ou d'autres problèmes de reproduction. Voici quelques exemples de ces produits chimiques :

- Plomb provenant de peintures à base de plomb;
- Silice cristalline provenant de briques, de ciment et d'autres produits de maçonnerie;
- Arsenic et chrome provenant de bois traité chimiquement.

Votre risque d'exposition à ces produits chimiques varie selon la fréquence à laquelle vous faites ce type de travail. Pour réduire votre exposition à ces produits chimiques, travaillez dans un endroit bien ventilé et utilisez un équipement de sécurité approuvé, comme des masques anti-poussière spécialement conçus pour filtrer les particules microscopiques.

Conservez ces instructions

7 INSTALLATION

▲ AVERTISSEMENT

Ne changez pas ou ne fabriquez pas des accessoires qui ne sont pas recommandés par le fabricant.

▲ AVERTISSEMENT

Ne branchez pas la machine à l'alimentation électrique avant d'avoir assemblé toutes les pièces.

7.1 DÉBALLEZ LA MACHINE

▲ AVERTISSEMENT

Assurez-vous d'assembler correctement la machine avant de l'utiliser.

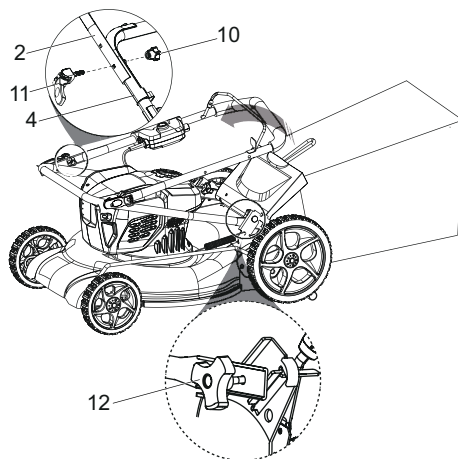
▲ AVERTISSEMENT

- Si les pièces sont endommagées, n'utilisez pas la machine.
- Si vous n'avez pas toutes les pièces, n'utilisez pas la machine.
- Si les pièces sont endommagées ou manquantes, communiquez avec le centre de service.

1. Ouvrez l'emballage.
2. Lisez la documentation contenue dans la boîte.
3. Retirez toutes les pièces non assemblées de la boîte.

4. Retirez la machine de sa boîte.
5. Jetez la boîte et l'emballage en respectant les règlements locaux.

7.2 DÉPLOYEZ ET RÉGLEZ LE GUIDON



1. Tirer la poignée supérieure (2) vers le haut et vers l'arrière pour soulever la poignée en position de fonctionnement. Assurez-vous que les guidons s'emboîtent bien place.
2. Serrez la partie inférieure de la poignée (4) avec les boutons (12) sur les deux côtés.
3. Serrez la partie supérieure de la poignée (2) avec les dispositifs de blocage (11) et les boutons (10) sur les deux côtés.

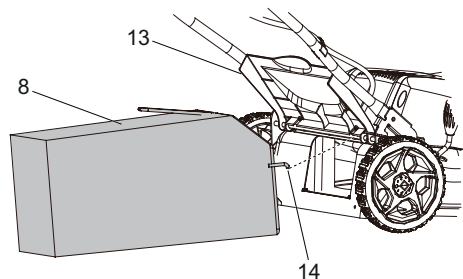
i REMARQUE

Assurez-vous que les deux guidons dans la même position.

▲ AVERTISSEMENT

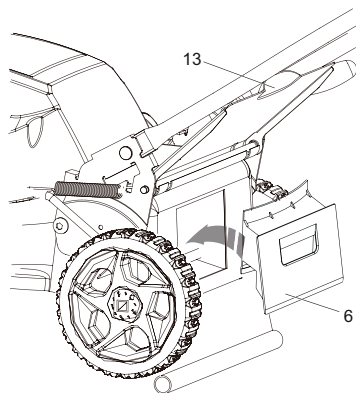
N'endommagez pas les câbles lorsque vous pliez ou dépliez le guidon.

7.3 INSTALLEZ LE SAC ARRIÈRE



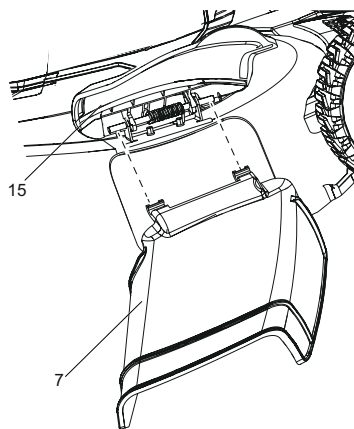
1. Retirez le bouchon de déchetage.
2. Ouvrez et retenez la trappe d'éjection arrière (13).
3. Tenez le sac arrière(8) par sa poignée et engagez les crochets (14) dans la tige de porte.
4. Fermez la trappe d'éjection arrière.

7.4 INSTALLEZ LE BOUCHON DE DÉCHIQUETAGE



1. Retirez le sac arrière.
2. Ouvrez et retenez la trappe d'éjection arrière (13).
3. Tenez le bouchon de déchetage(6) par sa poignée et insérez-le dans la goulotte d'éjection.
4. Fermez la trappe d'éjection arrière.

7.5 INSTALLEZ LA GOULOTTE D'ÉJECTION LATÉRALE



▲ ATTENTION

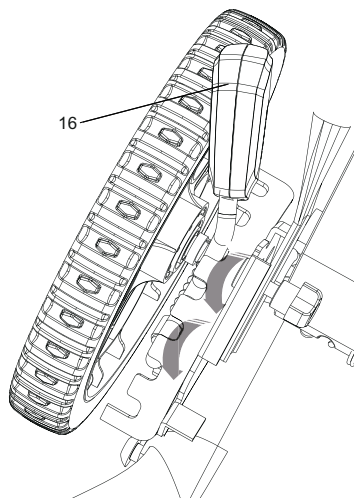
Lorsque vous utilisez la goulotte d'éjection latérale,

- N'installez pas le sac arrière.
- Laissez le bouchon de déchetage en place.

1. Ouvrez et retenez la trappe d'éjection latérale(15).
2. Alignez les recoins de la goulotte d'éjection latérale (7) sous la charnière.
3. Fermez la trappe d'éjection latérale.

7.6 RÉGLEZ LA HAUTEUR DE COUPE

La lame de la machine peut être réglée à différentes hauteurs.



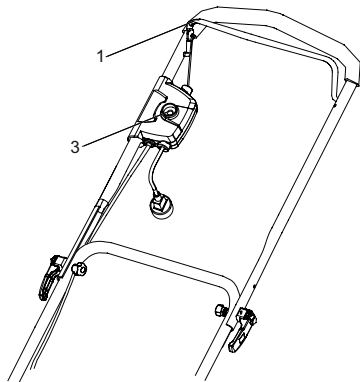
1. Tirez le levier de réglage de la hauteur (16) vers l'arrière pour augmenter la hauteur de la lame.
2. Tirez le levier de réglage de la hauteur vers l'avant pour diminuer la hauteur de la lame.

8 UTILISATION

▲ AVERTISSEMENT

Portez des lunettes de protection pendant l'utilisation.

8.1 DÉMARREZ LA MACHINE



i REMARQUE

La tondeuse est équipée d'un protecteur (c'est un dispositif qui est calibré pour ouvrir le circuit du moteur lorsqu'il atteint une certaine température ou un certain courant, mais qui nécessite à la fois un refroidissement en dessous du point d'étalement et une coupure de courant pour réinitialiser le protecteur) pour arrêter la tondeuse si la lame est coincée ou si une surcharge survient. Lorsque la protection est activée, l'opérateur doit relâcher la barre de sécurité et débrancher l'outil immédiatement, puis redémarrer la tondeuse après au moins 5 minutes.

1. Raccordez la machine à une rallonge électrique extérieure approuvée.
2. Appuyez sur le bouton de mise en marche et maintenez-le enfoncé (3).
3. Pendant que vous maintenez le bouton de démarrage enfoncé, tirez l'interrupteur d'écartement (1) dans la direction du guidon.
4. Relâchez le bouton de démarrage pour démarrer la machine.

8.2 ARRÊTEZ LA MACHINE

1. Relâchez l'interrupteur d'arrêt d'urgence pour arrêter la machine.

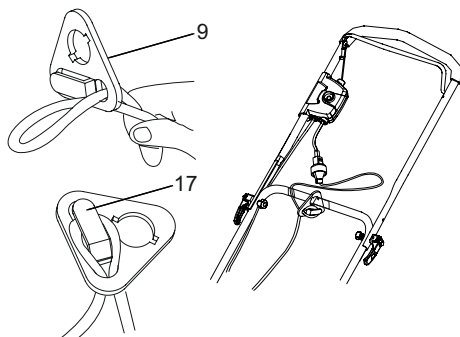
▲ AVERTISSEMENT

Attendez que les lames s'arrêtent complètement avant de redémarrer la machine. N'éteignez pas et n'allumez pas brusquement la machine.

▲ AVERTISSEMENT

Débranchez toujours l'appareil de l'alimentation électrique après avoir terminé les travaux.

8.3 UTILISEZ LE DISPOSITIF DE RETENUE DU CORDON



Si la rallonge électrique se déconnecte de l'alimentation électrique en cours de fonctionnement, la machine est équipée

d'un dispositif de retenue du cordon d'alimentation. La corde de rétention est suspendue à la tige de guidage du cordon.

i REMARQUE

Faites une boucle de la rallonge électrique autour de la corde de retenue (9) avant de connecter la rallonge électrique à la prise de courant.

Pour utiliser la corde de rétention :

1. Faites une boucle serrée près de la corde de rétention (9).
2. Poussez la boucle dans le trou inférieur de la corde de rétention.
3. Déplacez la boucle sur le clip de retenue (17) et tirez vers le bas jusqu'à ce que le câble se fixe sur la corde de retenue.

8.4 VIDEZ LE SAC ARRIÈRE

1. Arrêtez la machine.
2. Débrancher la machine de l'alimentation électrique.
3. Ouvrez et retenez la trappe d'éjection arrière.
4. Tenez le sac arrière par sa poignée et décrochez-le des fentes.
5. Fermez la trappe d'éjection arrière.
6. Videz le sac arrière.

8.5 TRAVAILLEZ SUR LES PENTES

▲ AVERTISSEMENT

Ne tondez pas sur une pente inclinée à plus de 15°. Si vous n'êtes pas à l'aise, ne tondez pas sur une pente.

- Ne changez pas de direction de haut en bas, ou vice-versa, lorsque vous tondez sur une pente. Soyez prudent lorsque vous changez la direction sur une pente.
- Surveillez les trous, les omières, les rochers et tout autres objets cachés qui peuvent vous faire tomber. Retirez tous les obstacles tels que les rochers et les branches d'arbre.
- Assurez-vous que vous êtes bien campé et en équilibre. Si vous perdez l'équilibre, relâchez immédiatement la barre de sécurité.
- Ne tondez pas près d'un dénivellement, d'un fossé ou du rebord d'un talus.

8.6 CONSEILS SUR L'UTILISATION

- N'essayez pas de désactiver le fonctionnement du bouton de démarrage ou de la barre de sécurité.
- N'inclinez pas la machine lorsque vous la démarrez.
- Ne placez pas les mains ou les pieds à proximité ou en dessous des pièces en mouvement.
- Gardez la trappe d'éjection arrière propre.
- Ne coupez l'herbe humide.
- Une hauteur de lame plus élevée est nécessaire pour un gazon nouveau ou épais.

- Nettoyez le plateau de la tondeuse après chaque utilisation. Enlevez les débris d'herbe coupée, les feuilles, la saleté et autres débris.

9 ENTRETIEN

▲ AVERTISSEMENT

Débrancher la machine de l'alimentation électrique avant l'entretien.

▲ AVERTISSEMENT

Veillez à ce que le moteur soit exempt d'herbe, de feuilles ou d'un excès de graisse.

▲ ATTENTION

Utilisez seulement les pièces de rechange approuvées.

▲ ATTENTION

Évitez que les liquides de freins, l'essence et les matériaux à base de pétrole ne viennent en contact avec les pièces en plastique. Les produits chimiques peuvent endommager le plastique et le rendre inutilisable.

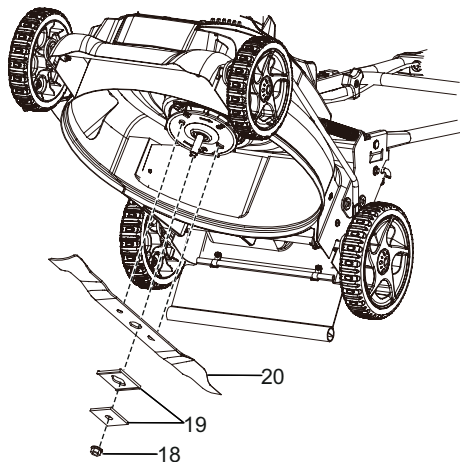
▲ ATTENTION

N'utilisez pas de solvants ou de détergents puissants sur le boîtier ou les composants en plastique.

9.1 ENTRETIEN GÉNÉRAL

- Avant chaque utilisation, vérifiez que la machine ne contient pas de pièces endommagées, manquantes ou desserrées, telles que vis, écrous, boulons et capuchons.
- Serrez correctement toutes les fixations et les capuchons.
- Nettoyez la machine avec un chiffon sec. N'utilisez pas de l'eau.

9.2 REMPLACEZ LA LAME



▲ AVERTISSEMENT

Utilisez seulement les lames de rechange approuvées.

▲ AVERTISSEMENT

Portez des gants épais ou enroulez la lame avec un chiffon lorsque vous la touchez.

1. Arrêtez la machine.
2. Assurez-vous que la lame s'est complètement arrêtée.
3. Débrancher la machine de l'alimentation électrique.
4. Tournez la machine sur le côté.
5. Utilisez un morceau de bois pour empêcher le mouvement de la lame.
6. Retirez l'écrou de montage (18) et les entretoises (19) avec une clé ou une douille.
7. Retirez la lame (20).
8. Installez la nouvelle lame. Assurez-vous que les points soulève s'engagent dans les trous de la lame.
9. Placez les vis de fixation et les entretoises et serrez-les. Couple de serrage recommandé : 33-37 N.M.

9.3 ENTREPOSEZ LA MACHINE

- Nettoyez la machine avant de l'entreposer.
- Assurez-vous que le moteur n'est pas chaud lorsque vous entreposez la machine.
- Assurez-vous que la machine n'a pas de pièces mal fixées ou endommagées. Au besoin, suivez ces étapes/ instructions :
 - Remplacez les pièces endommagées.
 - Serrez les écrous.
 - Parlez à une personne d'un centre de service certifié.

- Entreposez la machine dans un endroit sec.
- Assurez-vous que les enfants ne peuvent pas s'approcher de la machine.

Vous devez abaisser le guidon avant de ranger la machine.

1. Desserrez complètement les fixations de blocage sur les côtés du guidon.
2. Pliage de poignée(s).
3. Ne pincez pas, ne coincez pas les câbles.


10 DÉPANNAGE

Problème	Cause possible	Solution
Le guidon n'est pas bien installé.	Les écrous ne sont pas bien enclenchés.	Ajustez la hauteur du guidon et assurez-vous que les boutons et les boulons sont alignés correctement.
La machine ne démarre pas.	La rallonge électrique n'est pas raccordée à la prise.	Reconnectez le câble.
	La rallonge électrique n'est pas raccordée à l'alimentation électrique.	Connectez la rallonge électrique à une prise secteur 120V AC, 60 HZ AC.
	La balle de sécurité défectueuse.	Remplacez la barre de sécurité.
La machine coupe l'herbe de manière irrégulière.	Le gazon est dur.	Inspectez la zone de tonte.
	La lame n'est pas réglée à la bonne hauteur.	Placez les roues à une hauteur plus élevée.
La machine ne déchiquette pas correctement.	Des débris d'herbe humide s'accroche au plateau.	Attendez jusqu'à ce que l'herbe soit sèche avant la tonte.
	Le bouchon de déchiquetage est manquant.	Installez le bouchon de déchiquetage.
La machine est difficile à pousser.	L'herbe est trop haute ou la hauteur de la lame est trop basse.	Augmentez la hauteur de la lame.
	Le sac arrière et la lame traînent dans l'herbe épaisse.	Videz les débris d'herbe humide du sac arrière.

Problème	Cause possible	Solution
Il y a une forte vibration dans la machine.	La lame est déséquilibrée et usée.	Remplacez la lame.
	L'arbre du moteur est tordu.	<ol style="list-style-type: none"> 1. Arrêtez le moteur. 2. Déconnectez la source d'alimentation. 3. Vérifiez qu'elle n'est pas endommagée. 4. Réparez la machine avant de la redémarrer.
Le moteur s'arrête pendant la tonte.	La hauteur de la lame est trop basse.	Augmentez la hauteur de la lame.
	Des débris d'herbe humide s'accroche au plateau ou à la lame.	Débranchez l'alimentation électrique et vérifiez le plateau.
	La température de fonctionnement de la machine est trop élevée.	Laissez la machine se refroidir.

* Si vous ne trouvez pas une solution à ces problèmes, communiquez avec le centre de service.

11 DONNÉES TECHNIQUES

Moteur	120 V AC, 60 Hz, 13 A
Vitesse à vide	3600 RPM
Réglages de la hauteur	1 3/8 - 3 3/4" (3.5 - 9.5 cm)
Fonctions	3-in-1 Déchiquetage/sac arrière et trappe d'éjection
Poids	24 kg (53 lbs.)
Conception à double isolation	

12 GARANTIE LIMITÉE



Greenworks garantit par la présente ce produit, à l'acheteur original avec preuve d'achat, pour une période de trois (3) ans contre tout défaut de matériaux, de pièces ou de main-d'œuvre. Greenworks, à sa propre discrétion, réparera ou remplacera toutes les pièces défectueuses, dans des conditions normales d'utilisation, sans frais pour le client. Cette garantie n'est valable que pour les appareils qui ont été utilisés à des fins personnelles, qui n'ont pas été loués à des fins industrielles ou commerciales et qui ont été entretenus conformément aux instructions du manuel du propriétaire fourni avec le produit neuf.

ARTICLES NON COUVERTS PAR LA GARANTIE :

1. Toute pièce qui est devenue inopérante en raison d'une mauvaise utilisation, d'une utilisation commerciale, d'un abus, d'une négligence, d'un accident, d'un entretien inapproprié ou d'une modification ; ou
2. L'appareil, s'il n'a pas été utilisé et/ou entretenu conformément au manuel du propriétaire ; ou
3. Usure normale, sauf comme indiqué ci-dessous ;
4. Articles d'entretien courant tels que lubrifiants, affûtage des lames ;
5. Détérioration normale du fini extérieur due à l'utilisation ou à l'exposition.

ASSISTANCE TÉLÉPHONIQUE :

Le service de garantie est disponible en appelant notre ligne d'assistance téléphonique sans frais, au 1-888-909-6757.

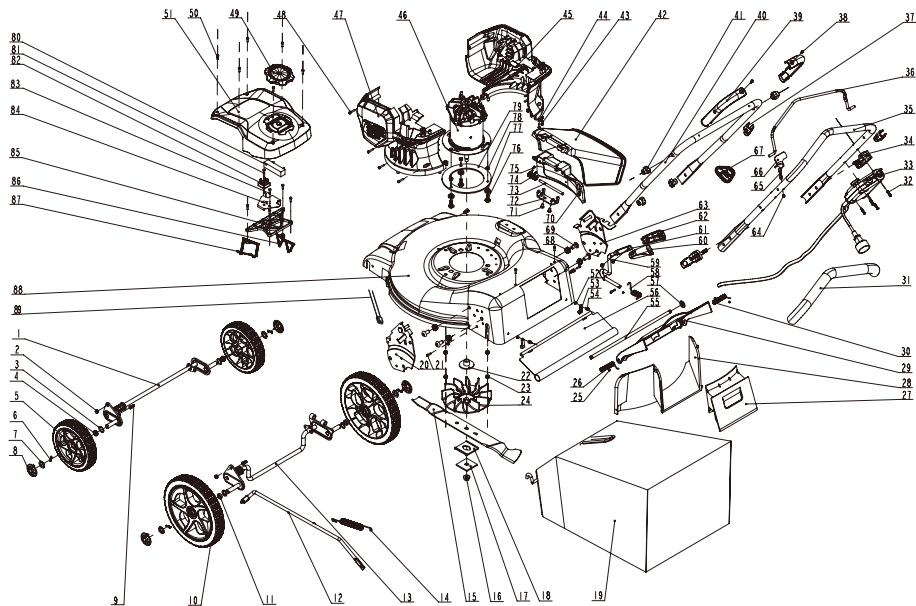
FRAIS DE TRANSPORT :

Les frais de transport pour le déplacement de tout équipement motorisé ou accessoire sont à la charge de l'acheteur. Il incombe à l'acheteur de payer les frais de transport pour toute pièce retournée pour remplacement en vertu de la présente garantie, à moins qu'un tel retour soit demandé par écrit par Greenworks.

Adresse aux Etats-Unis : Adresse au Canada :

Greenworks Tools	Greenworks Tools Canada Inc.
P.O. Box 1238	1110 Stellar Drive Unit 102
Mooresville, NC 28115	Newmarket, ON, L3Y 7B7

13 VUE ÉCLATÉES



No	No de pièce	Description	Qté.
1	333071161	Axe de la roue avant	1
2	3220537	Écrou autobloquant M6	2
3	3330384	Anneau en forme de vague	4
4	3320639	Rondelle en caoutchouc	2
5	31102488-5	Roue 7"	2
6	3290135	Goupille fendue	5
7	3220898	Rondelle	4
8	34106488-5	Couvercle de roue	4
9	322011163	Vis	4
10	31103488A	Roue 10"	2
11	3320237	Rondelle en caoutchouc B	2
12	33303227-7	Baguette jointive	1
13	31102222	Axe de la roue arrière	1
14	3340137-2	Ressort	1
15	33313250-2	Lame	1
16	3221037A	Écrou M10x1.25	1
17	3331435A	Bloc carré	1
18	3410535	Isolateur de lame	1
19	311082325	Ensemble du sac arrière	1

Français

FR

No	No de pièce	Description	Qté.
20	33302222-1	Plaquette de réglage de la hauteur (gauche)	1
21	32201235D	Vis M6x8	4
22	3320238A	Bague de la broche	1
23	32208261	Écrou	4
24	3410237A	Ventilateur	1
25	3420436	Couvercle du ressort	3
26	33304235	Ressort du couvercle arrière (gauche)	1
27	34104236	Accessoire de déchiquetage	1
28	34106236	Défecteur arrière	1
29	34103236-5	Couvercle arrière	1
30	33302235	Ressort du couvercle arrière (droite)	1
31	34135486	Tube en éponge	1
32	32204113D	Vis	4
33	31102489B	Ensemble du boîtier de commutateur	1
34	31102467D	Fixation à blocage rapide	2
35	333022325	Partie supérieure du guidon	1
36	33305469D	Levier d'alimentation	1
37	341081165	Dispositif de retenue du cordon	2
38	32205590	Vis	2
39	341062325	Gaine isolante	2
40	333032325	Poignée inférieure	1
41	34106467-1	Bouton de la poignée	4
42	3410438-3	Goulotte d'éjection latérale	1
43	3220246D	Vis	2
44	3411435	Plaque de pressage en ligne	1
45	341031576A	Boîtier principal droit	1
46	36101489	Moteur	1
47	341042325	Boîtier principal gauche	1
48	322081163	Vis	4
49	341071576	Revêtement décoratif	1
50	32207110D	Vis	10
51	341022325	Couvercle supérieur	1
52	3221237	Écrou autobloquant M4	2
53	333061161-1	Pince du cordon	2
54	322061163	Vis	2
55	3320138-1	Tige du couvercle arrière	1
56	34127229	Protection arrière	1
57	3290506	Rondelle à pince	1

Français

FR

No	No de pièce	Description	Qté.
58	33401222	Ressort	1
59	322001072	Vis	2
60	341121161B	Boîtier droit de la poignée	1
61	333021161-1	Poignée de réglage de la hauteur de la pièce à souder	1
62	341131161B	Boîtier gauche de la poignée	1
63	33305222-1	Plaquette de réglage de la hauteur (droite)	1
64	3220439	Écrou de blocage M5	5
65	32208234A	Boulon	1
66	33323250-1	Limitation du nombre de pièces	1
67	34120227	Dispositif de retenue du cordon	1
68	3220737	Écrou	4
69	3221637D	Vis	4
70	3410338-4	Couvercle d'éjection latérale	1
71	3220136	Vis	2
72	3330637A	Support d'éjection arrière	1
73	3320338A	Axe d'éjection arrière	1
74	3340237-1	Ressort	1
75	3420207	Bague en caoutchouc	2
76	3220135D	Vis	3
77	34112480	Bague en nylon	3
78	3220537	Écrou autobloquant M6	3
79	342101179	Plaquette en caoutchouc du moteur	1
80	369011161	Résistance électrique	1
81	3220404D	Vis	1
82	369032329	Pont conducteur	1
83	3220505D	Vis	1
84	33301475	Radiateur thermique à résistance	1
85	341032325	Support de fixation pour ailette de radiation	1
86	341111576	Cadre de l'éponge droite	1
87	341101576	Cadre de l'éponge gauche	1
88	333012325	Plateau	1
89	363012329	Protecteur	1

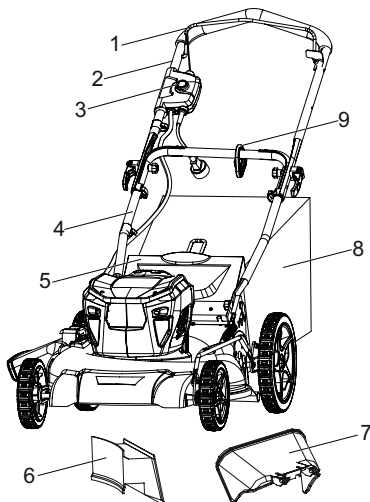
1	Descripción.....	33		7.5	Instalación del conducto de descarga lateral... 39
1.1	Finalidad	33	7.6	Ajuste de la altura de corte..... 39	
1.2	Perspectiva general.....	33	8	Funcionamiento	39
2	Lea todas las instrucciones	33	8.1	Puesta en marcha de la máquina.....	39
2.1	Funcionamiento general.....	33	8.2	Detención de la máquina.....	40
2.2	Funcionamiento en pendientes.....	35	8.3	Uso de la retención del cable.....	40
2.3	Niños y transeúntes	35	8.4	Vaciado del recogehierba.....	40
2.4	Servicio.....	35	8.5	Funcionamiento en pendientes.....	40
2.5	Cortacésped con doble aislamiento.....	35	8.6	Consejos de funcionamiento.....	40
3	Sistema eléctrico.....	36	9	Mantenimiento.....	41
4	Símbolos en el producto	36	9.1	Mantenimiento general	41
5	Niveles de riesgo.....	37	9.2	Sustitución de la cuchilla.....	41
6	Propuesta 65.....	37	9.3	Almacenamiento de la máquina.....	41
7	Instalación.....	37	10	Solución de problemas.....	42
7.1	Desembalaje de la máquina.....	38	11	Datos técnicos.....	42
7.2	Despliegue y ajuste del asa.....	38	12	Garantía limitada.....	43
7.3	Instalación del recogehierba.....	38	13	Vista despiezada.....	44
7.4	Instalación del tapón de mulching.....	38			

1 DESCRIPCIÓN

1.1 FINALIDAD

Esta máquina se utiliza para el corte de césped doméstico. La cuchilla de corte debe estar aproximadamente paralela al suelo. Las cuatro ruedas deben tocar el suelo mientras corta el césped.

1.2 PERSPECTIVA GENERAL



- 1 Interruptor de seguridad
- 2 Asa superior
- 3 Botón de puesta en marcha
- 4 Asa inferior
- 5 Puerta de descarga trasera
- 6 Tapón de mulching
- 7 Conducto de descarga lateral
- 8 Recogehierba
- 9 Retención del cable

2 LEA TODAS LAS INSTRUCCIONES

▲ PELIGRO

Esta máquina se ha construido para utilizarse de acuerdo con las normas para un funcionamiento seguro que se incluyen en este manual. Como con cualquier tipo de equipo eléctrico, un descuido o un error por parte del operario puede provocar lesiones graves. Esta máquina es capaz de amputar manos y pies y de lanzar objetos. El incumplimiento de las instrucciones de seguridad podría provocar lesiones graves o incluso la muerte.

i NOTA

Cuando utilice cortacéspedes eléctricos, siempre deben seguirse precauciones básicas de seguridad a fin de reducir el riesgo de incendios, descargas eléctricas y lesiones personales. Estas precauciones básicas incluyen lo siguiente:

2.1 FUNCIONAMIENTO GENERAL

- Lea detenidamente todas las instrucciones en el cortacésped y en el manual antes de intentar montar y utilizar el cortacésped. Guarde este manual en un lugar seguro para futuras consultas y consúltelo periódicamente.
- Familiarícese con todos los controles y su funcionamiento adecuado. Debe saber cómo detener el cortacésped y cómo desconectar la alimentación en una emergencia.
- No permita que niños menores de 14 años utilicen este cortacésped. Los niños de 14 años y mayores deben leer y entender las instrucciones de funcionamiento y las normas de seguridad que se encuentran en este manual y deben recibir formación y supervisión por parte de uno de sus progenitores.
- No permita que nadie utilice este cortacésped hasta que haya leído y entendido las instrucciones.
- Para evitar el contacto con la cuchilla o las lesiones producidas por un objeto proyectado, permanezca en la zona del operario detrás de las asas y mantenga a los niños y a los transeúntes a una distancia de al menos 30 m (100 pies) del cortacésped mientras esté en funcionamiento. Pare el motor inmediatamente si alguien entra en la zona de segado.
- Inspeccione detenidamente la zona donde va a utilizarse el equipo. Elimine todas las piedras, ramas, cables, huesos, juguetes y otros objetos extraños con los que podría tropezar o que podrían ser proyectados por la cuchilla. Los objetos proyectados pueden producir lesiones personales graves.
- Planifique su patrón de corte para evitar la descarga de material hacia caminos, aceras, transeúntes, etc. No descargue material contra paredes u obstrucciones. De hacerlo, el material descargado puede rebotar hacia el operario.
- Lleve siempre protección ocular adecuada para proteger sus ojos mientras utiliza la máquina o realiza cualquier ajuste o reparación. Los objetos proyectados que rebotan pueden producir lesiones graves en los ojos.
- Lleve siempre una máscara facial o antipolvo si utiliza el cortacésped en un entorno polvoriento.
- Lleve indumentaria adecuada. No lleve ropa suelta ni joyas que puedan quedar atrapadas en las piezas móviles. Se recomienda el uso de guantes protectores y calzado de seguridad.
- Para evitar descargas eléctricas, utilice este cortacésped únicamente con un cable alargador con certificación CSA/UL que esté aprobado para su uso en exterior, como el tipo SW, SOW, STW, STOW, SJW, SJOW, SJTW, o SJTOW.

- Cable alargador: Verifique que el cable alargador esté en buen estado, que tenga el calibre adecuado para transportar la corriente que utiliza el cortacésped y que esté polarizado (una clavija del enchufe es más ancha que la otra). Un cable alargador de 7.6 m (25 pies) debe tener un calibre 14, un cable alargador de 15 m (50 pies) debe tener un calibre 12. Los cables de tamaño insuficiente producen una caída en la tensión de la línea, lo que da lugar a pérdida de potencia y sobrecalentamiento.
- Para reducir el riesgo de descarga eléctrica, este cortacésped está equipado con un enchufe polarizado (una clavija es más ancha que la otra) y debe utilizarse con un cable alargador polarizado. El enchufe del cortacésped solo encajará en el cable alargador polarizado de una manera. Si el enchufe no encaja correctamente en el cable alargador, invierta el enchufe. Si el enchufe sigue sin encajar, obtenga un cable alargador polarizado adecuado. Un cable alargador polarizado debe enchufarse en una toma de pared polarizada. Este enchufe solo encajará en la toma polarizada de una manera. Si el enchufe no encaja correctamente en la toma, invierta el enchufe. Si el enchufe sigue sin encajar, contacte con un electricista cualificado para instalar una toma adecuada. No modifique el enchufe del cortacésped, el receptáculo del cable alargador ni el enchufe del cable alargador de ninguna manera.
- Circuito doméstico: Este cortacésped se ha diseñado para funcionar en un circuito de 15 A. Si el cortacésped tiene dificultades para arrancar cuando está conectado a un circuito que tiene un fusible o disyuntor estándar de 15 A, llame al centro de servicio. No utilice un fusible o un disyuntor con valores nominales más altos que los especificados para su circuito derivado en particular.
- No abuse del cable tirando del cortacésped por el cable o tirando del cable para desconectarlo de la toma. Mantenga el cable alejado del calor, el aceite y los bordes afilados.
- Numerosas lesiones se producen como resultado del paso del cortacésped sobre el pie del operario durante una caída debida a resbalones o tropiezos. No utilice este cortacésped descalzo, o cuando lleve sandalias o calzado ligero (p. ej. de lona). No se agarre al cortacésped si se cae. Suelte el asa inmediatamente.
- Nunca tire del cortacésped hacia usted mientras camina. Si debe hacer retroceder el cortacésped desde una pared u obstrucción, primero mire hacia abajo y hacia atrás para evitar tropezar, a continuación siga estos pasos:
 - Aléjese del cortacésped para extender totalmente los brazos.
 - Asegúrese de tener un buen equilibrio.
 - Tire del cortacésped hacia atrás lentamente.
 - Repita estos pasos según sea necesario.
- No utilice el cortacésped para trabajos distintos del previsto. No fuerce el cortacésped.
- No utilice el cortacésped bajo la influencia de alcohol o drogas.
- Permanezca alerta: No utilice el cortacésped cuando esté cansado. Preste atención a lo que está haciendo. Utilice el sentido común.
- No coloque las manos ni los pies cerca de las piezas giratorias o debajo de la plataforma de corte. El contacto con la cuchilla puede amputar manos y pies.
- No intente ajustar las ruedas o la altura de corte mientras el motor está funcionando.
- Evite los entornos peligrosos. No utilice el cortacésped bajo la lluvia o sobre hierba mojada o húmeda.
- Siegue únicamente con luz diurna o con una buena iluminación artificial. No siegue de forma apresurada.
- Detenga la cuchilla cuando cruce senderos de grava, aceras o caminos.
- Si el cortacésped empieza a vibrar de manera anormal, desenchufe la fuente de alimentación y compruebe la causa inmediatamente. Normalmente la vibración es una señal de que el cortacésped no funciona correctamente o necesita reparación.
- Detenga el motor y espere hasta que la cuchilla se detenga por completo antes de retirar el recogehierba o desatascar el conducto. La cuchilla de corte seguirá girando durante unos segundos después de apagar el motor. No coloque ninguna parte de su cuerpo en la zona de la cuchilla hasta que esté seguro de que la cuchilla ha dejado de girar.
- Nunca utilice el cortacésped sin una protección de trayectoria adecuada, la cubierta de descarga, el recogehierba, el control del interruptor u otros dispositivos protectores de seguridad en su posición y en funcionamiento. No utilice el cortacésped con algún dispositivo de seguridad dañado. De hacerlo podrían producirse lesiones.
- Para reducir el riesgo de lesiones a las personas, no utilice sin un recogehierba o las protecciones en su posición.
- Para reducir el riesgo de lesiones, inspeccione el conjunto del recogehierba con frecuencia y sustitúyalo por el repuesto recomendado si hay señales de desgaste o deterioro. Debe comprobarse que los conjuntos de sustitución sean conformes con las recomendaciones o especificaciones del fabricante original.
- No se estire – Mantenga en todo momento una postura adecuada y el equilibrio.
- Desconexión del cortacésped – Desconecte el cortacésped de la fuente de alimentación cuando no esté en uso, antes de realizar tareas de servicio, cuando cambie accesorios, como cuchillas, y similar.
- Si el cortacésped golpea un objeto extraño, siga estos pasos:
 - Detenga el cortacésped. Suelte el interruptor.
 - Desenchufe el cable de alimentación.
 - Inspeccione si hay daños.
 - Repare los daños antes de volver a poner en marcha y utilizar el cortacésped.
- Utilice únicamente cuchillas de repuesto idénticas.
- Almacene en interiores, y no lo exponga a la lluvia ni al agua; evite la luz solar directa.

2.2 FUNCIONAMIENTO EN PENDIENTES

Las pendientes son un factor principal relacionado con los accidentes por resbalones y caídas, que pueden provocar lesiones graves. Durante el funcionamiento en pendientes, es necesario tomar precauciones adicionales. Si no se siente seguro en una pendiente, no la siegue.

Cosas que debe hacer:

- En las pendientes debe segarse transversalmente; nunca siegue hacia arriba y abajo. Extreme las precauciones cuando cambie de dirección en pendientes.
- Este atento por si hubiera agujeros, surcos, piedras, objetos ocultos o baches que puedan hacer que resbale o tropiece. La hierba alta puede ocultar obstáculos.

Cosas que no debe hacer:

- No siegue en pendientes excesivamente pronunciadas.
- No siegue cerca de precipicios, zanjas o terraplenes; podría perder el equilibrio.
- No siegue en pendientes mayores de 15 grados.
- No siegue hierba mojada. Podría perder el equilibrio y resbalar.

2.3 NIÑOS Y TRANSEÚNTES

Pueden producirse accidentes trágicos si el operario no está alerta a la presencia de niños y transeúntes.

- Mantenga la zona de funcionamiento libre de cualquier persona, especialmente niños pequeños y mascotas.
- Tenga mucho cuidado al acercarse a esquinas ciegas, portales, arbustos, árboles u otros objetos que puedan ocultar su visión de un niño o un transeúnte. Mantenga a los niños, los transeúntes, los ayudantes y las mascotas al menos a 100 pies (30m) del cortacésped cuando esté en funcionamiento. Detenga la máquina si alguien entra en la zona.
- Nunca permita que niños menores de 14 utilicen un cortacésped eléctrico. Los operarios de 14 años en adelante deben leer y entender en su totalidad el manual del operario y las normas de seguridad. Únicamente están autorizadas a utilizar la máquina personas responsables que estén familiarizadas con estas normas de funcionamiento seguro.

2.4 SERVICIO

- Cuando realice tareas de servicio en el cortacésped, utilice únicamente las piezas de repuesto que se indican en este manual. El uso de piezas que no cumplan con las especificaciones de los equipos originales puede dar lugar a un rendimiento inadecuado y puede comprometer la seguridad.
- Antes de limpiar, reparar o inspeccionar, verifique que la cuchilla y todas las piezas móviles se hayan detenido por completo. Para evitar una puesta en marcha accidental, desconecte el cable de alimentación cuando el cortacésped no esté en uso.

- Siga las instrucciones para la lubricación y el cambio de accesorios.
- Inspeccione periódicamente el cable de alimentación y los cables alargadores del cortacésped, y sustitúyalos inmediatamente si están dañados. Para obtener piezas de repuesto, llame al centro de servicio.
- Mantenga las asas secas, limpias y sin restos de aceite y grasa.
- Para reducir el riesgo de incendio, mantenga el motor libre de hierba, hojas y acumulación de residuos.
- Compruebe con frecuencia que la cuchilla y los pernos de montaje del motor estén bien apretados. Inspeccione visualmente la cuchilla en busca de daños (p. ej., dobleces, grietas o desgaste).
- Para un rendimiento mejor y más seguro, cuide el mantenimiento del cortacésped. Mantenga limpia y afilada la cuchilla del cortacésped. Las cuchillas del cortacésped están afiladas y pueden cortar. Envuelva las cuchillas o lleve guantes y tenga especial cuidado al realizar tareas de servicio.
- Mantenga todas las tuercas, los pernos y los tornillos apretados para garantizar que el cortacésped esté en condiciones seguras de funcionamiento.
- No manipule los dispositivos de seguridad. Compruebe periódicamente su correcto funcionamiento.
- Después de golpear un objeto extraño, detenga el motor y desconecte el cable de alimentación. Inspeccione exhaustivamente el cortacésped para detectar cualquier daño. Repare los daños antes de utilizar el cortacésped.
- Los componentes del recogehierba, la cubierta de descarga y la protección de trayectoria están sujetos a desgaste y daños, lo que podría exponer las piezas móviles o permitir la proyección de objetos. Como medida de seguridad, compruebe los componentes con frecuencia y sustituya inmediatamente cualquier pieza que muestre signos de desgaste, o que esté agrietada o rota. Utilice únicamente las piezas del fabricante del equipo original (OEM), indicadas en este manual.
- Cuando no esté en uso, guarde el cortacésped en interior, en una zona seca, cerrada o fuera del alcance de los niños.

2.5 CORTACÉSPED CON DOBLE AISLAMIENTO

- El doble aislamiento elimina la necesidad del cable de alimentación trifilar con toma de tierra y el sistema de suministro de alimentación con toma de tierra habitual. En cualquier lugar en que haya corriente eléctrica en el cortacésped, hay dos juegos completos de aislamiento para proteger al usuario. Todas las piezas metálicas expuestas están aisladas de los componentes metálicos internos del motor mediante aislamiento protector.

¡ IMPORTANTE

Las tareas de servicio en un cortacésped con doble aislamiento exigen un cuidado extremo y un buen conocimiento del sistema, y únicamente debe realizarlas un técnico de servicio cualificado. Si son necesarias reparaciones, llame al centro de servicio. Utilice siempre piezas de repuesto originales de fábrica cuando realice tareas de servicio.

▲ AVISO

¡ES SU RESPONSABILIDAD! Restringir el uso de este cortacésped a personas que hayan leído y entendido las advertencias e instrucciones que aparecen en este manual y en el cortacésped, y que las seguirán.

3 SISTEMA ELÉCTRICO

▲ AVISO

El sistema de doble aislamiento se ha diseñado para proteger al usuario de descargas que resulten de una ruptura en el aislamiento interno de la herramienta. Respete todas las precauciones de seguridad habituales para evitar descargas eléctricas.

Conexión eléctrica

Este producto tiene un motor eléctrico fabricado con precisión. Debe conectarse a una fuente de alimentación de 120 V, únicamente CA (corriente doméstica habitual), 60 Hz. No utilice este producto con corriente continua (CC). Una caída de tensión considerable provocará una pérdida de potencia y el motor se sobrecalentará. Si el producto no funciona cuando está enchufado a una toma, haga una doble comprobación de la fuente de alimentación.

Cables alargadores

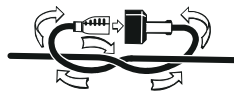
Cuando utilice una herramienta eléctrica a una distancia considerable de una fuente de alimentación, asegúrese de utilizar un cable alargador que tenga la capacidad de manejar la corriente que utilizará el producto. Un cable de tamaño insuficiente producirá una caída en la tensión de la línea, lo que a su vez generará sobrecalentamiento y pérdida de energía. Utilice el gráfico para determinar el tamaño mínimo de cable necesario en un cable alargador. Únicamente deben utilizarse cables redondos revestidos con certificación de Underwriter's Laboratories (UL).

Cuando trabaje en el exterior con un producto, utilice un cable alargador que se haya diseñado para uso en exterior. Este tipo de cable está designado "W-A" o "W" en el revestimiento del cable.

Antes de utilizar cualquier cable alargador, inspeccione si hay hilos sueltos o expuestos y si el aislamiento está cortado o desgastado.

Puede encontrar un cable alargador adecuado a través de los centros de servicio autorizados.

Es posible atar el cable alargador y el cable de alimentación en un nudo para evitar que se desconecten durante el uso. Haga el nudo como se muestra en la figura, posteriormente conecte el extremo del enchufe del cable de alimentación en el extremo del receptáculo del cable alargador. Este método también puede utilizarse para atar dos cables alargadores.



Calibre mínimo para cables alargadores (AWG)

(únicamente cuando se utilizan 120 V)

Amperaje	Longitud total del cable en pies (metros)				
	Más de	No más de	25' (7,6 m)	50' (15 m)	100' (30,4 m)
0	6	18	16	16	14
6	10	18	16	14	12
10	12	16	16	14	12
12	16	14	12	No se recomienda	

Mantenga el cable alargador alejado de la superficie de trabajo. Coloque el cable de manera que no quede atrapado en madera, herramientas u otras obstrucciones mientras trabaja con una herramienta eléctrica. De no hacerlo podrían producirse lesiones personales graves.

Compruebe los cables alargadores antes de cada uso. En caso de daños sustituya inmediatamente. Nunca utilice el producto con un cable dañado, ya que si toca la zona dañada podría producirse una descarga eléctrica con las consiguientes lesiones graves.

4 SÍMBOLOS EN EL PRODUCTO

En esta herramienta pueden utilizarse algunos de los siguientes símbolos. Le rogamos que los estudie y aprenda su significado. La interpretación correcta de estos símbolos le permitirá manejar la herramienta mejor y de manera más segura.

Símbolo	Nombre	Explicación
V	Voltios	Tensión
A	Amperios	Corriente
Hz	Hertzios	Frecuencia (ciclos por segundo)
W	Vatios	Potencia
min	Minutos	Tiempo
/min	Por minuto	Revoluciones, carreras, velocidad de superficie, órbitas, etc., por minuto

Símbolo	Nombre	Explicación
	Corriente alterna	Tipo de corriente
	Corriente continua	Tipo o una característica de corriente
n_0	Velocidad sin carga	Velocidad rotacional, sin carga
	Alerta de seguridad	Precauciones que afectan a su seguridad.
	Protección ocular	Lleve siempre protección ocular con protectores laterales marcada para cumplir la ANSI Z87.1 cuando utilice este equipo.
	ADVERTENCIA --- Condiciones húmedas	No exponga el producto a la lluvia o a condiciones de humedad.
	Lea el manual del operario	Para reducir el riesgo de lesiones, el usuario debe leer y entender el manual del operario antes de utilizar este producto.
	Mantenga los dispositivos de seguridad	No abra ni retire los dispositivos de seguridad mientras la herramienta esté funcionando.
	Mire hacia atrás cuando retroceda	Mire hacia abajo y hacia atrás en primer lugar para evitar tropezar al retroceder.
	PELIGRO --- Mantenga alejados los pies y las manos	Para reducir el riesgo de lesiones, mantenga las manos y los pies alejados de las piezas giratorias. No utilice a menos que la cubierta de descarga o la bolsa de hierba estén en su posición. En caso de daños, sustituya inmediatamente.
	PELIGRO --- Mantenga alejados a los transeúntes	No corte el césped cuando haya niños u otras personas cerca.
	PELIGRO --- Proyección de residuos	Retire los objetos que puedan ser proyectados por la cuchilla en cualquier dirección. Lleve gafas de seguridad.
	PELIGRO --- Riesgo en pendientes pronunciadas	Tenga mucho cuidado en las pendientes. No siegue en pendientes con una inclinación superior a 15 grados.

5 NIVELES DE RIESGO

Las siguientes indicaciones y significados tienen como fin explicar los niveles de riesgo asociados a este producto.

SÍMBOLO	INDICACIÓN	SIGNIFICADO
	PELIGRO	Indica una situación de peligro inminente que, de no evitarse, provocará lesiones graves o incluso la muerte.
	ADVERTENCIA	Indica una situación de peligro potencial que, de no evitarse, podría provocar lesiones graves o incluso la muerte.
	PRECAUCIÓN	Indica una situación de peligro potencial que, de no evitarse, puede provocar lesiones leves o moderadas.
	PRECAUCIÓN	(Sin símbolo de alerta sobre seguridad) Indica una situación que puede provocar daños materiales.

6 PROPUESTA 65

▲ AVISO

Este producto contiene una sustancia química conocida en el estado de California como causante de cáncer, defectos de nacimiento u otros daños reproductivos. El polvo generado por el lijado eléctrico, el serrado, el esmerilado, la perforación y otras actividades de construcción contiene sustancias químicas que se sabe que son causantes de cáncer, defectos de nacimiento u otros daños reproductivos. Algunos ejemplos de estas sustancias químicas son:

- Plomo de pinturas con base de plomo;
- Sílice cristalina de ladrillos y cemento y otros productos de albañilería;
- Arsénico y cromo de la madera tratada químicamente.

El riesgo de exposición a estas sustancias químicas varía según la frecuencia con la que realice este tipo de trabajo. Para reducir su exposición a estas sustancias químicas, trabaje en una zona bien ventilada y trabaje con equipos de seguridad aprobados, como máscaras antipolvo, que estén especialmente diseñadas para filtrar partículas microscópicas.

Conservar estas instrucciones.

7 INSTALACIÓN

▲ AVISO

No cambie ni utilice accesorios que no sean los recomendados por el fabricante.

▲ AVISO

No conecte la máquina a la fuente de alimentación hasta que haya montado todas las piezas.

7.1 DESEMBALAJE DE LA MÁQUINA

▲ AVISO

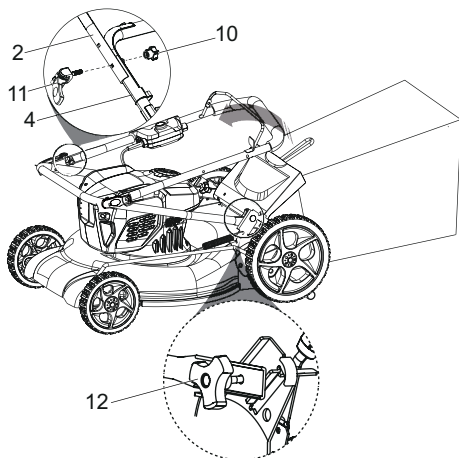
Asegúrese de montar correctamente la máquina antes del uso.

▲ AVISO

- Si las piezas presentan daños, no utilice la máquina.
- Si no tiene todas las piezas, no utilice la máquina.
- Si faltan piezas o hay piezas dañadas, hable con el centro de servicio.

1. Abra el embalaje.
2. Lea la documentación que se encuentra en la caja.
3. Retire todas las piezas sin montar de la caja.
4. Retire la máquina de la caja.
5. Deseche la caja y el embalaje de conformidad con los reglamentos locales.

7.2 DESPLIEGUE Y AJUSTE DEL ASA



1. Tire hacia arriba y hacia atrás del asa superior (2) para levantarla a la posición de funcionamiento. Asegúrese de que las asas encajen correctamente en su posición.
2. Apriete el asa inferior (4) con los mandos (12) a ambos lados.
3. Apriete el asa superior (2) con los cierres de leva (11) y los mandos (10) a ambos lados.

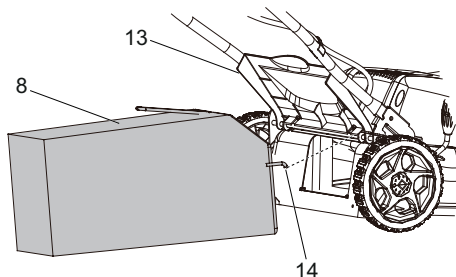
i NOTA

Asegúrese de que las dos asas estén en la misma posición.

▲ AVISO

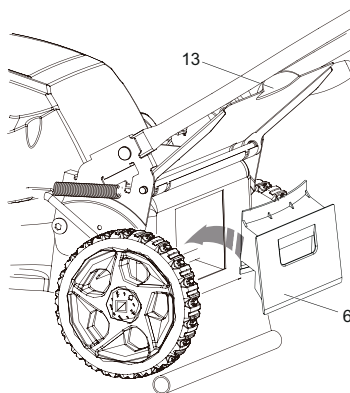
No dañe los cables cuando pliegue o despliegue el asa.

7.3 INSTALACIÓN DEL RECOGEHIERBA



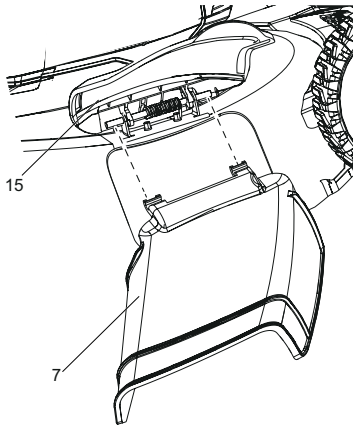
1. Retire el tapón de mulching.
2. Abra la puerta de descarga trasera (13) y sujétela.
3. Sostenga el recogehierba (8) por el asa y enganche los ganchos (14) en la varilla de la puerta.
4. Cierre la puerta de descarga trasera.

7.4 INSTALACIÓN DEL TAPÓN DE MULCHING



1. Retire el recogehierba.
2. Abra la puerta de descarga trasera (13) y sujétela.
3. Sujete el tapón de mulching (6) por su asa y colóquelo en el conducto de descarga.
4. Cierre la puerta de descarga trasera.

7.5 INSTALACIÓN DEL CONDUCTO DE DESCARGA LATERAL DE DESCARGA LATERAL



▲ PRECAUCIÓN

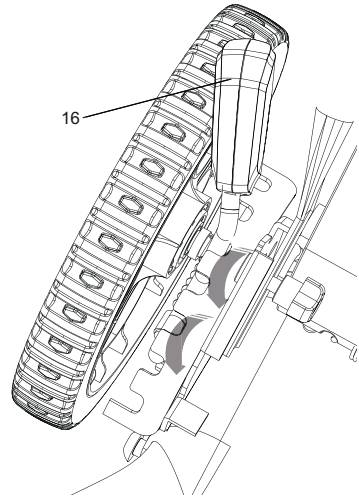
Cuando utilice el conducto de descarga lateral,

- No instale el recogehierba.
- Mantenga instalado el tapón de mulching.

1. Abra la puerta de descarga lateral (15) y sujétela.
2. Alinee los huecos del conducto de descarga lateral (7) debajo de la articulación.
3. Cierre la puerta de descarga lateral.

7.6 AJUSTE DE LA ALTURA DE CORTE

La máquina puede ajustarse a distintas alturas de cuchilla.



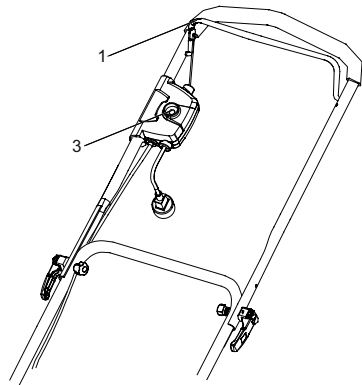
1. Tire hacia atrás de la palanca de ajuste de altura (16) para aumentar la altura de la cuchilla.
2. Tire hacia delante de la palanca de ajuste de altura para disminuir la altura de la cuchilla.

8 FUNCIONAMIENTO

▲ AVISO

Lleve protección ocular durante el funcionamiento.

8.1 PUESTA EN MARCHA DE LA MÁQUINA



i NOTA

El cortacésped está equipado con un protector (es un dispositivo que está calibrado para abrir el circuito del motor al alcanzar una temperatura/corriente determinada, pero requiere el enfriamiento por debajo del punto de calibración y la desconexión de la alimentación para restablecer el protector) para detener el cortacésped si la cuchilla se atasca o se produce una sobrecarga. Cuando se produce la protección, el operario debe soltar el interruptor de seguridad y desconectar el enchufe inmediatamente, a continuación, vuelva a poner en marcha el cortacésped después de al menos 5 minutos.

1. Conecte la máquina a un cable alargador aprobado para exterior.
2. Pulse y mantenga pulsado el botón de puesta en marcha (3).
3. Mientras mantiene pulsado el botón de puesta en marcha, tire del interruptor de seguridad (1) en la dirección del manillar.
4. Suelte el botón de puesta en marcha para poner en marcha la máquina.

8.2 DETENCIÓN DE LA MÁQUINA

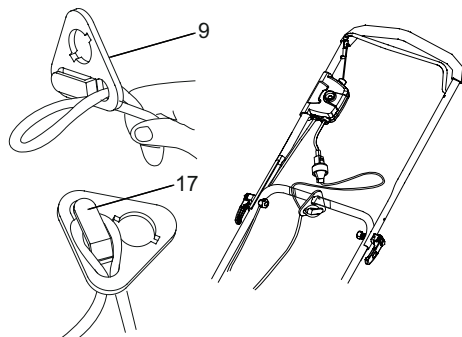
1. Suelte el interruptor de seguridad para detener la máquina.

▲ AVISO

Espere hasta que las cuchillas se detengan por completo antes de volver a poner en marcha la máquina. No apague y encienda la máquina rápidamente.

▲ AVISO

Desconecte siempre de la fuente de alimentación después de finalizar el trabajo.

8.3 USO DE LA RETENCIÓN DEL CABLE

Para evitar una situación en que el cable alargador se desconecte de la fuente de alimentación durante el

funcionamiento, la máquina cuenta con una retención del cable. La retención del cable cuelga de la barra de guía del cable.

i NOTA

Haga un bucle del cable alargador alrededor de la retención del cable (9) antes de conectar el cable alargador en la toma.

Para utilizar la retención del cable:

1. Haga un bucle apretado cerca de la retención del cable (9).
2. Introduzca el bucle a través del orificio inferior de la retención del cable.
3. Mueva el bucle sobre la pinza de retención (17) y tire hacia abajo hasta que el cable se fije a la retención del cable.

8.4 VACIADO DEL RECOGEHIERBA

1. Detenga la máquina.
2. Desconecte la máquina de la fuente de alimentación.
3. Abra la puerta de descarga trasera y sujétela.
4. Sostenga el recogehierba por el asa y desengánchelo de las ranuras.
5. Cierre la puerta de descarga trasera.
6. Vacíe el recogehierba.

8.5 FUNCIONAMIENTO EN PENDIENTES**▲ AVISO**

No siegue en pendientes con una inclinación superior a 15°. Si no está cómodo, no siegue en una pendiente.

- No suba y baje en una pendiente, siegue transversalmente la superficie de la misma. Tenga cuidado al cambiar de dirección en una pendiente.
- Supervise los orificios, surcos, piedras y otros objetos ocultos que pueden hacer que se caiga. Elimine todos los obstáculos como piedras y ramas de árboles.
- Asegúrese de tener un equilibrio estable. Si pierde el equilibrio, suelte el interruptor de seguridad inmediatamente.
- No siegue cerca de precipicios, zanjas o terraplenes.

8.6 CONSEJOS DE FUNCIONAMIENTO

- No intente anular el funcionamiento del botón de puesta en marcha o el interruptor de seguridad.
- No incline la máquina cuando la ponga en marcha.
- No ponga las manos ni los pies cerca o debajo de las piezas giratorias.
- Mantenga limpio el conducto de descarga.
- No corte hierba mojada.

- Es necesaria una mayor altura de la cuchilla para césped nuevo o denso.
- Limpie la parte inferior de la plataforma del cortacésped después de cada uso. Retire los recortes de hierba, las hojas, la suciedad y otros residuos.

9 MANTENIMIENTO

▲ AVISO

Desconecte la máquina de la fuente de alimentación antes del mantenimiento.

▲ AVISO

Mantenga el motor libre de hierba, hojas o un exceso de grasa.

▲ PRECAUCIÓN

Utilice únicamente piezas de repuesto aprobadas.

▲ PRECAUCIÓN

No permita que líquidos de frenos, gasolina y otros derivados del petróleo toquen las piezas de plástico. Las sustancias químicas pueden dañar el plástico y hacer que quede inservible.

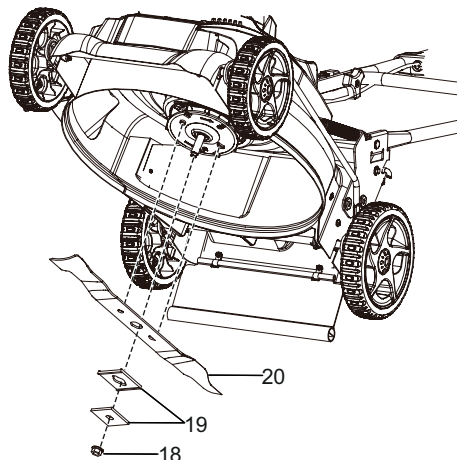
▲ PRECAUCIÓN

No utilice disolventes o detergentes fuertes en la carcasa o los componentes de plástico.

9.1 MANTENIMIENTO GENERAL

- Antes de cada uso, examine la máquina para comprobar si hay piezas dañadas, ausentes o sueltas como tornillos, tuercas, pernos y tapas.
- Apriete correctamente todos los elementos de fijación y las tapas.
- Limpie la máquina con un paño seco. No utilice agua.

9.2 SUSTITUCIÓN DE LA CUCHILLA



▲ AVISO

Utilice únicamente cuchillas de repuesto aprobadas.

▲ AVISO

Lleve guantes gruesos o enrolle un trapo alrededor de la cuchilla cuando la toque.

1. Detenga la máquina.
2. Asegúrese de que la cuchilla se detenga por completo.
3. Desconecte la máquina de la fuente de alimentación.
4. Apoye la máquina sobre un lateral.
5. Utilice un trozo de madera para impedir el movimiento de la cuchilla.
6. Retire la tuerca de montaje (18) y los espaciadores (19) con una llave o una llave de tubo.
7. Retire la cuchilla (20).
8. Instale la cuchilla nueva. Asegúrese de que los puntos elevados se acoplen en los orificios de la cuchilla.
9. Coloque la tuerca de montaje y los espaciadores y apriételos. Par de apriete recomendado: 33-37 N.M.

9.3 ALMACENAMIENTO DE LA MÁQUINA

- Limpie la máquina antes del almacenamiento.
- Asegúrese de que el motor no esté caliente cuando almacene la máquina.
- Asegúrese de que la máquina no tenga piezas sueltas o dañadas. Si es necesario, siga estos pasos/estas instrucciones:
 - Sustituya las piezas dañadas.
 - Apriete los pernos.

- Hable con una persona de un centro de servicio aprobado.
- Almacene la máquina en una zona seca.
- Asegúrese de que los niños no puedan acercarse a la máquina.

Puede bajar las asas antes de almacenar la máquina.

1. Afloje completamente los elementos de fijación del asa en los laterales de las asas.
2. Pliegue las asas.
3. No pellizque ni atrape los cables.


10 SOLUCIÓN DE PROBLEMAS

Problema	Posible causa	Solución
El asa no está en posición.	Los pernos no se han acoplado correctamente.	Ajuste la altura del asa y asegúrese de que los mandos y los pernos se hayan alineado correctamente.
La máquina no se pone en marcha.	El cable alargador no está conectado a la toma de pared.	Reconecte el cable.
	El cable alargador no se ha conectado a la fuente de alimentación.	Conecte el cable alargador a una toma CA de 120V CA, 60 HZ.
	El interruptor de seguridad está defectuoso.	Sustituya el interruptor de seguridad.
La máquina corta la hierba irregularmente.	El césped es agreste.	Examine la superficie de segado.
	La altura de la cuchilla no se ha ajustado correctamente.	Mueva las ruedas a una posición más alta.
La función de mulching de la máquina no se realiza correctamente.	Hay recortes de hierba mojada adheridos a la plataforma.	Espere hasta que la hierba se seque antes de segar.
	Falta el tapón de mulching.	Instale el tapón de mulching.
Es difícil empujar la máquina.	La hierba está demasiado alta o la altura de la cuchilla es demasiado baja.	Aumente la altura de la cuchilla.
	El recogehierba y la cuchilla arrastran cuando se trabaja en hierba densa.	Vacíe los recortes de hierba del recogehierba.

Problema	Posible causa	Solución
Hay una vibración elevada en la máquina.	La cuchilla está desequilibrada y desgastada.	Sustituya la cuchilla.
	El eje del motor se ha doblado.	<ol style="list-style-type: none"> 1. Detenga el motor. 2. Desconecte la fuente de alimentación. 3. Inspeccione si hay daños. 4. Repare la máquina antes de volver a ponerla en marcha.
La máquina se detiene durante el segado.	La altura de la cuchilla es demasiado baja.	Aumente la altura de la cuchilla.
	Hay recortes de hierba adheridos a la plataforma o a la cuchilla.	Desconecte la fuente de alimentación y compruebe la plataforma.
	La temperatura de funcionamiento de la máquina es demasiado alta.	Deje enfriar la máquina.

* Si no puede encontrar la solución a estos problemas, vaya al centro de servicio.

11 DATOS TÉCNICOS

Motor	120 V AC, 60 Hz, 13 A
Velocidad sin carga	3600 RPM
Ajustes de altura	1 3/8 - 3 3/4" (3.5 - 9.5 cm)
Funciones	3-in-1 Mulching, bolsa trasera y descarga lateral
Peso	24 kg (53 lbs.)
Estructura con doble aislamiento	

12 GARANTÍA LIMITADA



Greenworks Por la presente, se garantiza este producto al comprador original en posesión de la prueba de compra por un periodo de tres (3) años contra defectos de material, piezas o mano de obra. Greenworks, a su propia discreción, reparará o reemplazará todas y cada una de las piezas que se encuentren defectuosas, en base a un uso normal, sin costo alguno para el cliente. Esta garantía es válida para aparatos de los que se ha realizado un uso personal y no han sido alquilados para aplicaciones comerciales/industriales, y que han sido sometidos a un mantenimiento tal y como se indica en las instrucciones del manual del usuario suministrado con el producto nuevo.

LO QUE NO CUBRE LA GARANTÍA:

1. Cualquier pieza que no funcione debido al uso incorrecto, uso comercial, abusivo, negligencia, accidente, mantenimiento inadecuado, o alteración; o
2. La unidad, si no ha sido utilizada y/o mantenida siguiendo el manual del propietario; o
3. El desgaste normal, excepto según se indica a continuación.
4. Piezas que requieren un mantenimiento rutinario como lubricantes, afilar la cuchilla;
5. El deterioro normal del acabado exterior debido al uso o exposición.

ASISTENCIA AL USUARIO:

El servicio de garantía está disponible llamando a nuestra línea de asistencia gratuita al 1-888-909-6757.

GASTOS DE TRANSPORTE:

Los gastos de transporte del traslado de cualquier herramienta eléctrica o accesorio será responsabilidad del comprador. Es responsabilidad del comprador pagar los gastos de transporte de cualquier pieza enviada para su reemplazo bajo esta garantía, salvo que dicha devolución sea solicitada por escrito por Greenworks.

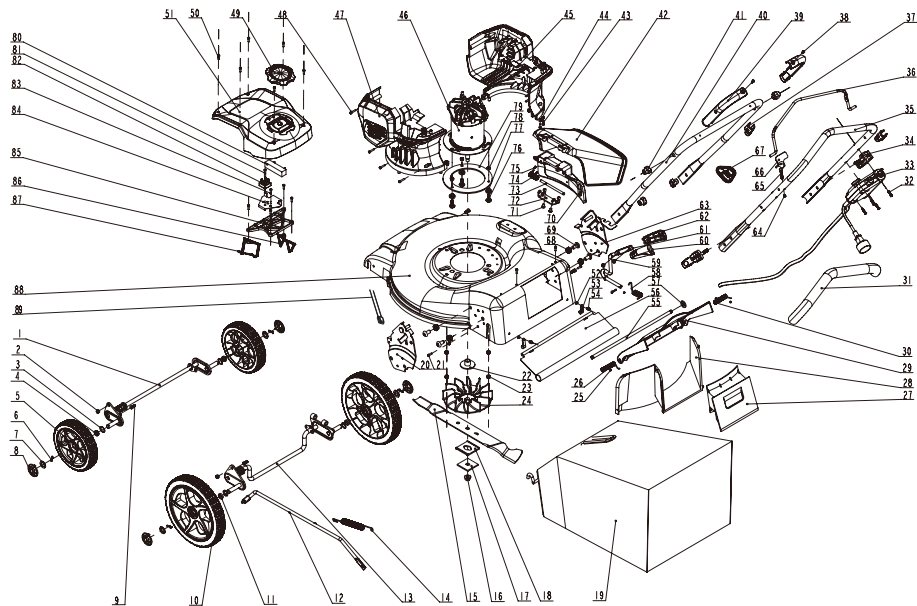
Dirección en EE.UU.:

Greenworks Tools
P.O. Box 1238
Mooresville, NC 28115

Dirección en Canadá:

Greenworks Tools Canada Inc.
1110 Stellar Drive Unit 102
Newmarket, ON, L3Y 7B7

13 VISTA DESPIEZADA



Nº	Nº pieza	Descripción	Cant.
1	333071161	Eje de la rueda delantera	1
2	3220537	Tuerca con autobloqueo M6	2
3	3330384	Anillo ondulado	4
4	3320639	Arandela de rueda de goma	2
5	31102488-5	Rueda de 7"	2
6	3290135	Pasador hendido	5
7	3220898	Arandela	4
8	34106488-5	Cubierta de rueda	4
9	322011163	Tornillos	4
10	31103488A	Rueda de 10"	2
11	3320237	Arandela de rueda de goma B	2
12	33303227-7	Barra de conexión	1
13	31102222	Eje de la rueda trasera	1
14	3340137-2	Muelle	1
15	33313250-2	Cuchilla	1
16	3221037A	Tuerca M10x1.25	1
17	3331435A	Bloque cuadrado	1
18	3410535	Aislante de cuchilla	1
19	311082325	Conjunto de bolsa recogeherba	1

Nº	Nº pieza	Descripción	Cant.
20	33302222-1	Soporte de ajuste de altura (izquierda)	1
21	32201235D	Tornillo M6x8	4
22	3320238A	Casquillo del eje	1
23	32208261	Tuerca	4
24	3410237A	Ventilador	1
25	3420436	Cubierta a resorte	3
26	33304235	Muelle de cubierta trasera (izquierda)	1
27	34104236	Tapón de mulching	1
28	34106236	Deflector trasero	1
29	34103236-5	Cubierta trasera	1
30	33302235	Muelle de cubierta trasera (derecha)	1
31	34135486	Tubo con esponja	1
32	32204113D	Tornillo	4
33	31102489B	Conjunto de caja de conexiones	1
34	31102467D	Cierre de apertura rápida	2
35	333022325	Asa superior	1
36	33305469D	Palanca de alimentación	1
37	341081165	Retención del cable	2
38	32205590	Tornillo	2
39	341062325	Manguito de aislamiento	2
40	333032325	Asa inferior	1
41	34106467-1	Mando del asa	4
42	3410438-3	Conducto de descarga lateral	1
43	3220246D	Tornillo	2
44	3411435	Placa de presión de hilo	1
45	341031576A	Carcasa principal derecha	1
46	36101489	Motor	1
47	341042325	Carcasa de principal izquierda	1
48	322081163	Tornillo	4
49	341071576	Cubierta decorativa	1
50	32207110D	Tornillo	10
51	341022325	Cubierta superior	1
52	3221237	Tuerca con autobloqueo M4	2
53	333061161-1	Pinza de cable	2
54	322061163	Tornillo	2
55	3320138-1	Varilla de cubierta trasera	1
56	34127229	Protección trasera	1
57	3290506	Arandela de cierre	1

Español

Nº	Nº pieza	Descripción	Cant.
58	33401222	Muelle	1
59	322001072	Tornillo	2
60	341121161B	Carcasa derecha de asa	1
61	333021161-1	Componente de soldadura del asa de ajuste de altura	1
62	341131161B	Carcasa izquierda de asa	1
63	33305222-1	Soporte de ajuste de altura (derecha)	1
64	3220439	Tuerca con autobloqueo M5	5
65	32208234A	Perno	1
66	33323250-1	Pieza terminal	1
67	34120227	Retención del cable	1
68	3220737	Tuerca	4
69	3221637D	Tornillo	4
70	3410338-4	Cubierta de descarga lateral	1
71	3220136	Tornillo	2
72	3330637A	Soporte de descarga lateral	1
73	3320338A	Eje de descarga lateral	1
74	3340237-1	Muelle	1
75	3420207	Casquillo de goma	2
76	3220135D	Tornillo	3
77	34112480	Casquillo de nylon	3
78	3220537	Tuerca con autobloqueo M6	3
79	342101179	Almohadilla de goma del motor	1
80	369011161	Resistencia eléctrica	1
81	3220404D	Tornillo	1
82	369032329	Puente conductor	1
83	3220505D	Tornillo	1
84	33301475	Radiador térmico de resistencia	1
85	341032325	Soporte de fijación para aleta del radiador	1
86	341111576	Bastidor de esponja derecha	1
87	341101576	Bastidor de esponja izquierda	1
88	333012325	Plataforma	1
89	363012329	Protector	1

