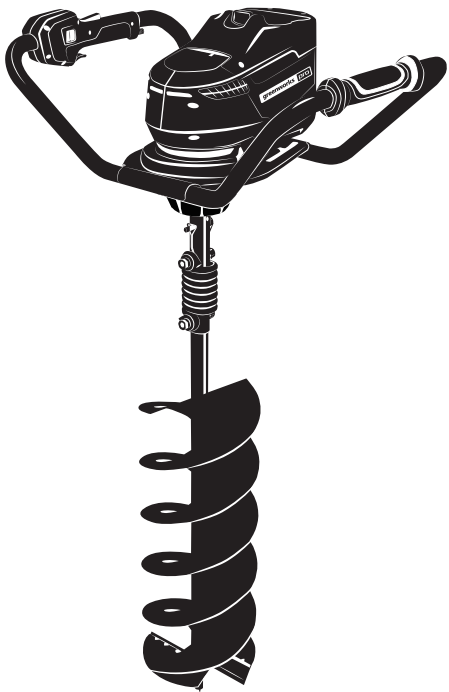




EA60L00
EA60L410

ULTRAPOWER™ 60X RANGE

EN	EARTH AUGER	OPERATOR MANUAL
ES	AHOYADOR	MANUAL DEL OPERADOR



EAC401

www.greenworkstools.com

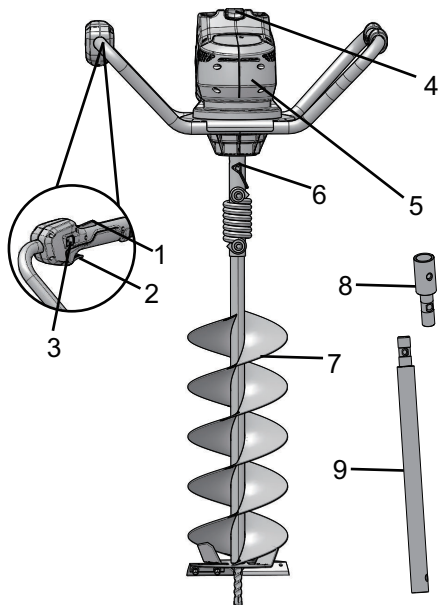
1	Description.....	4	8	Installation.....	7
1.1	Purpose.....	4	8.1	Unpack the machine.....	7
1.2	Overview.....	4	9	Operation.....	9
2	General power tool safety		9.1	Start the machine.....	9
	warnings.....	4	9.2	Stop the machine.....	9
2.1	Work area safety.....	4	9.3	Operation tips.....	9
2.2	Electrical safety.....	4	10	Maintenance.....	10
2.3	Personal safety.....	4	10.1	Clean the machine.....	10
2.4	Power tool use and care.....	5	11	Store the machine.....	10
2.5	Battery tool use and care.....	5	12	Troubleshooting.....	10
2.6	Service.....	5	13	Technical data.....	10
3	Proposition 65.....	5	14	Limited warranty.....	11
4	Child safety.....	6	15	Exploded view.....	11
5	Symbols on the product.....	6			
6	Risk levels.....	6			
7	Environmentally safe battery				
	disposal.....	6			

1 DESCRIPTION

1.1 PURPOSE

This machine is intended for drilling into dirt and soil to create holes in the ground.

1.2 OVERVIEW



- | | |
|--------------------------|------------|
| 1 Trigger | 6 Ring pin |
| 2 Safety lock button | 7 Bit |
| 3 Forward/Reverse switch | 8 Adaptor |
| 4 Battery release button | 9 Extender |
| 5 Power head | |

2 GENERAL POWER TOOL SAFETY WARNINGS

▲ WARNING

Read all safety warnings, instructions, illustrations and specifications provided with this power tool. Failure to follow all instructions listed below may result in electric shock, fire and/or serious injury.

Save all warnings and instructions for future reference.

The term "power tool" in the warnings refers to your battery-operated (cordless) power tool.

2.1 WORK AREA SAFETY

- **Keep work area clean and well lit.** Cluttered or dark areas invite accidents.
- **Do not operate power tools in explosive atmospheres, such as in the presence of flammable liquids, gases or dust.** Power tools create sparks which may ignite the dust or fumes.
- **Keep children and bystanders away while operating a power tool.** Distractions can cause you to lose control.

2.2 ELECTRICAL SAFETY

- **Power tool plugs must match the outlet. Never modify the plug in any way. Do not use any adapter plugs with earthed (grounded) power tools.** Unmodified plugs and matching outlets will reduce risk of electric shock.
- **Avoid body contact with earthed or grounded surfaces, such as pipes, radiators, ranges and refrigerators.** There is an increased risk of electric shock if your body is earthed or grounded.
- **Do not expose power tools to rain or wet conditions.** Water entering a power tool will increase the risk of electric shock.
- **Do not abuse the cord.** Never use the cord for carrying, pulling or unplugging the power tool. Keep cord away from heat, oil, sharp edges or moving parts. Damaged or entangled cords increase the risk of electric shock.
- **When operating a power tool outdoors, use an extension cord suitable for outdoor use.** Use of a cord suitable for outdoor use reduces the risk of electric shock.
- **If operating a power tool in a damp location is unavoidable, use a RESIDUAL CURRENT DEVICE (RCD) protected supply.** Use of an RCD reduces the risk of electric shock.

2.3 PERSONAL SAFETY

- **Stay alert, watch what you are doing and use common sense when operating a power tool. Do not use a power tool while you are tired or under the influence of drugs, alcohol or medication.** A moment of inattention while operating power tools may result in serious personal injury.
- **Use personal protective equipment.** Always wear eye protection. Protective equipment such as a dust mask, non-skid safety shoes, hard hat or hearing protection used appropriately will reduce personal injuries.
- **Prevent unintentional starting.** Ensure the switch is in the off position before connecting to power source and/or battery pack and when picking up or carrying the tool. Carrying power tools with your finger on the switch or energizing power tools that have the switch on invites accidents.
- **Remove any adjusting key or wrench before turning the power tool on.** A wrench or a key left attached to a rotating part of the power tool may result in personal injury.

- **Do not over-reach. Keep proper footing and balance at all times.** *This enables better control of the power tool in unexpected situations.*
- **Dress properly. Do not wear loose clothing or jewelry. Keep your hair, clothing and gloves away from moving parts.** *Loose clothes, jewelry or long hair can be caught in moving parts.*
- **If devices are provided for the connection of dust extraction and collection facilities, ensure these are connected and properly used.** *Use of dust collection can reduce dust related hazards.*
- **Do not let familiarity gained from frequent use of tools allow you to become complacent and ignore tool safety principles.** *A careless action can cause severe injury within a fraction of a second.*
- **Use power tools only with specifically designated battery packs.** *Use of any other battery packs may create a risk of injury and fire.*
- **When battery pack is not in use, keep it away from other metal objects like paper clips, coins, keys, nails, screws, or other small metal objects that can make a connection from one terminal to another.** *Shorting the battery terminals together may cause burns or fire.*
- **Under abusive conditions, liquid may be ejected from the battery; avoid contact. If contact accidentally occurs, flush with water. If liquid contacts eyes, additionally seek medical help.** *Liquid ejected from the battery may cause irritation or burns.*
- **Do not use a battery pack or tool that is damaged or modified.** *Damaged or modified batteries may exhibit unpredictable behavior resulting in fire, explosion or risk of injury.*

2.4 POWER TOOL USE AND CARE

- **Do not force the power tool. Use the correct power tool for your application.** *The correct power tool will do the job better and safer at the rate for which it was designed.*
- **Do not use the power tool if the switch does not turn it on and off.** *Any power tool that cannot be controlled with the switch is dangerous and must be repaired.*
- **Disconnect the plug from the power source and/or remove the battery pack, from the power tool before making any adjustments, changing accessories, or storing power tools.** *Such preventive safety measures reduce the risk of starting the power tool accidentally.*
- **Store idle power tools out of the reach of children and do not allow persons unfamiliar with the power tool or these instructions to operate the power tool.** *Power tools are dangerous in the hands of untrained users.*
- **Maintain power tools and accessories. Check for misalignment or binding of moving parts, breakage of parts and any other condition that may affect the power tool's operation. If damaged, have the power tool repaired before use.** *Many accidents are caused by poorly maintained power tools.*
- **Keep cutting tools sharp and clean.** *Properly maintained cutting tools with sharp cutting edges are less likely to bind and are easier to control.*
- **Use the power tool, accessories and tool bits etc. in accordance with these instructions, taking into account the working conditions and the work to be performed.** *Use of the power tool for operations different from those intended could result in a hazardous situation.*
- **Keep handles and grasping surfaces dry, clean and free from oil and grease.** *Slippery handles and grasping surfaces do not allow for safe handling and control of the tool in unexpected situations.*

2.5 BATTERY TOOL USE AND CARE

- **Recharge only with the charger specified by the manufacturer.** *A charger that is suitable for one type of battery pack may create a risk of fire when used with another battery pack.*

- **Do not expose a battery pack or tool to fire or excessive temperature.** *Exposure to fire or temperature above 130°C may cause explosion.*
- **Follow all charging instructions and do not charge the battery pack or tool outside the temperature range specified in the instructions.** *Charging improperly or at temperatures outside the specified range may damage the battery and increase the risk of fire.*

2.6 SERVICE

- **Have your power tool serviced by a qualified repair person using only identical replacement parts.** *This will ensure that the safety of the power tool is maintained.*
- **Never service damaged battery packs.** *Service of battery packs should only be performed by the manufacturer or authorized service providers.*

3 PROPOSITION 65

▲ WARNING

This product contains a chemical known to the state of California to cause cancer, birth defects or other reproductive harm. Some dust created by power sanding, sawing, grinding, drilling, and other construction activities contains chemicals known to cause cancer, birth defects or other reproductive harm. Some examples of these chemicals are:

- Lead from lead-based paints;
- Crystalline silica from bricks and cement and other masonry products;
- Arsenic and chromium from chemically treated lumber.

Your risk of exposure to these chemicals varies depending on how often you do this type of work. To reduce your exposure to these chemicals, work in a well-ventilated area, and work with approved safety equipment, such as dust masks that are specially designed to filter out microscopic particles.

Save these instructions.








4 CHILD SAFETY




Tragic accidents can occur if the operator is not aware of the presence of children.

- Keep children out of the working area and under the watchful care of a responsible adult.
- Do not allow children under the age of 14 to operate this machine. Children who are 14 years of age and older must read and understand the operating instructions and safety rules in this manual and must be trained and supervised by a parent.
- Stay alert, and turn the machine off if a child or any other person enters the working area.
- Use extreme care when approaching blind corners, doorways, shrubs, trees, or other objects that may obscure your view of a child who may run into the path of the machine.

5 SYMBOLS ON THE PRODUCT




Some of the following symbols may be used on this tool. Please study them and learn their meaning. Proper interpretation of these symbols will allow you to operate the tool better and safer.

Symbol	Explanation
V	Voltage
A	Current
W	Power
min	Time
min ⁻¹	Revolutions, strokes, surface speed, or orbits etc., per minute
— —	Direct current
	Read and understand all instructions before operating the product, and follow all warnings and safety instructions.
	Precautions that involve your safety.
	Always wear eye protection with side shields marked to comply with ANSI Z87.1 when operating this equipment.
	Do not expose the product to rain or moist conditions.
	Keep all bystanders at least 15 m (50 ft.) away.
	Failure to keep loose clothing from being drawn into air intake could result in personal injury.
	Failure to keep long hair away from the air inlet could result in personal injury.

Symbol	Explanation
	Rotating impeller blades can cause severe injury.
	Wear non-slip, heavy-duty gloves.
	Wear ear protection.

6 RISK LEVELS

The following signal words and meanings are intended to explain the levels of risk associated with this product.

SYM-BOL	SIGNAL	MEANING
	DANGER	Indicates an imminently hazardous situation, which, if not avoided, will result in death or serious injury.
	WARNING	Indicates a potentially hazardous situation, which, if not avoided, could result in death or serious injury.
	CAUTION	Indicates a potentially hazardous situation, which, if not avoided, may result in minor or moderate injury.
	CAUTION	(Without Safety Alert Symbol) Indicates a situation that may result in property damage.

7 ENVIRONMENTALLY SAFE BATTERY DISPOSAL



The toxic and corrosive materials below are in the batteries used in this machine: **Lithium-Ion, a toxic material.**

▲ WARNING

Discard all toxic materials in a specified manner to prevent contamination of the environment. Before discarding damaged or worn out Li-ion battery, contact your local waste disposal agency, or the local Environmental Protection Agency for information and specific instructions. Take the batteries to a local recycling and/or disposal center, certified for lithium-ion disposal.

▲ WARNING

If the battery pack cracks or breaks, with or without leaks, do not recharge it and do not use. Discard it and replace with a new battery pack. **DO NOT TRY TO REPAIR IT!** To prevent injury and risk of fire, explosion, or electric shock, and to avoid damage to the environment:

- Cover the terminals of the battery with heavy-duty adhesive tape.
- **DO NOT** try to remove or destroy any of the battery pack components.
- **DO NOT** try to open the battery pack.
- If a leak develops, the released electrolytes are corrosive and toxic. **DO NOT** get the solution in the eyes or on skin, and do not swallow it.
- **DO NOT** put these batteries in your regular household trash.
- **DO NOT** incinerate.
- **DO NOT** put them where they will become part of any waste landfill or municipal solid waste stream.
- Take them to a certified recycling or disposal center.

8 INSTALLATION**8.1 UNPACK THE MACHINE****▲ WARNING**

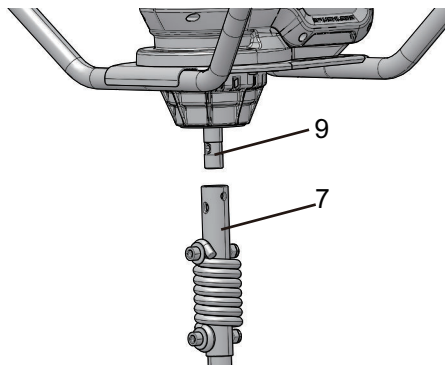
It is not necessary to assemble the machine.

- If parts are damaged, do not use the machine.
- If you do not have all the parts, do not operate the machine.
- If the parts are damaged or missing, speak to the service center.

1. Open the package.
2. Read the documentation in the box.
3. Remove the machine from the box.
4. Discard the box and packaging material in compliance with local regulations.

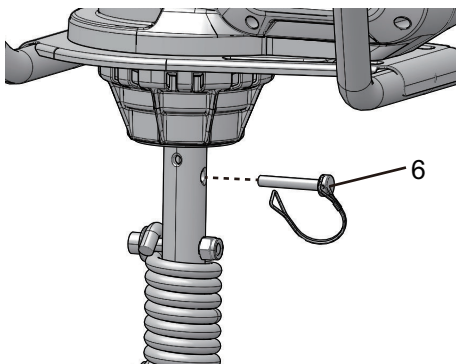
8.1.1 ATTACH THE AUGER BIT**▲ WARNING**

To prevent accidental starting that could cause serious personal injury, always remove the battery pack from the tool when assembling parts.

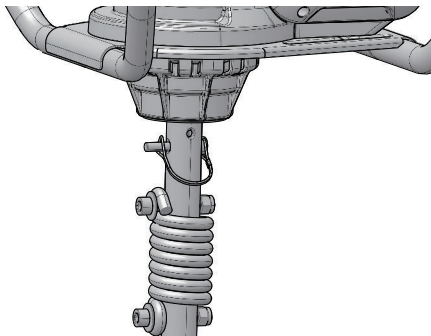


This auger shaft measures 7/8" in diameter. It will work with most universal sized bits designed for this size of shaft.

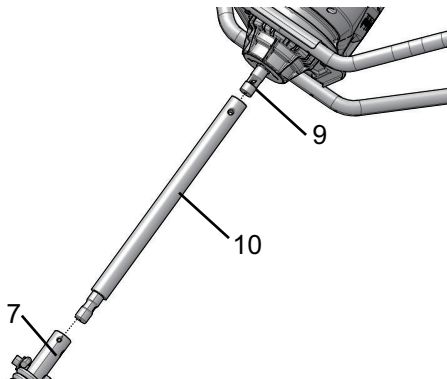
1. Make sure you are using the correct bit (7) for the material you want to drill into.
2. Align the holes in the auger shaft (9) with the holes in the bit.



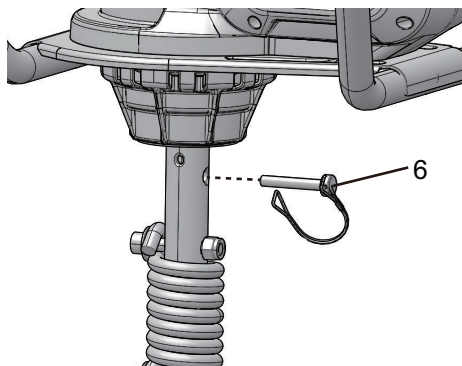
3. Open the ring pin (6).
4. Insert the ring pin through the holes.
5. Close and lock the ring pin to secure the bit to the auger shaft.



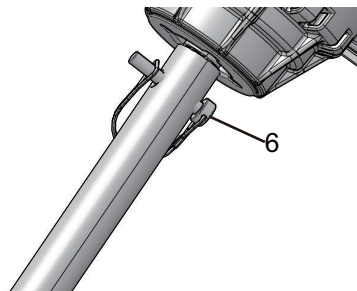
8.1.2 ATTACH THE EXTENDER



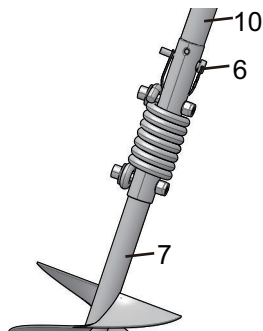
1. Align the holes in the auger shaft (9) with the holes in the extender (10).



2. Open the ring pin (6).
3. Insert the ring pin through the holes.



4. Close and lock the ring pin to secure the extender to the auger shaft.
5. Align the holes in the auger shaft (9) with the holes in the bit (7).

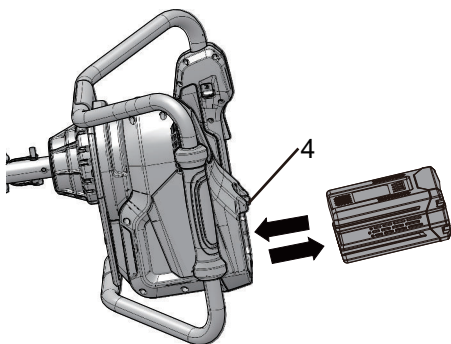


6. Install and lock the ring pin to secure the bit to the extender.

▲ WARNING

To prevent accidental starting that could cause serious personal injury, always remove the battery pack from the tool when assembling parts.

8.1.3 INSTALL THE BATTERY PACK



▲ WARNING

- If the battery pack or charger is damaged, replace the battery pack or the charger.
- Stop the machine and wait until the motor stops before you install or remove the battery pack.
- Read, know, and follow the instructions in the battery and charger manual.

1. Align the lift ribs on the battery pack with the grooves in the battery compartment.
2. Push the battery pack into the battery compartment until the battery pack locks into place.
3. When you hear a click, the battery pack is installed.

8.1.4 REMOVE THE BATTERY PACK

1. Push and hold the battery release button.
2. Remove the battery pack from the machine.

9 OPERATION

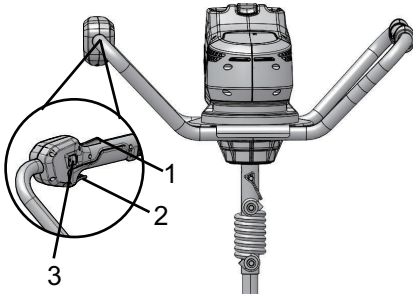
- Touch the bit carefully.
- Do not touch the bit unless you remove the battery pack.
- Do not use the machine if the bit is damaged or bent.
- Remove all objects such as cords, lights, wire, or string which can become entangled in the bit and create a risk of personal injury.

▲ WARNING

If the bit jams on an electrical cord or line, **DO NOT TOUCH THE BIT! IT CAN BE LIVE AND DANGEROUS.** Do the steps below:

1. Hold the insulated rear handle or put the machine down and away from you.
2. Disconnect the electrical service to the damaged line or cord before you try to free the bit.

9.1 START THE MACHINE



This machine has three lights along the bottom of the power head around the shaft. When the trigger is pressed, the lights turn on. If you release the trigger fully, the lights will turn off after 30 seconds.

1. Press the safety lock-out switch (2).
2. Squeeze the trigger (1) to start the machine.

▲ WARNING

Keep the machine clear of water.

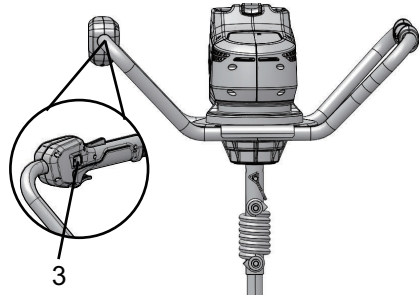
▲ DANGER

Do not touch the cap of the gear box after operating the machine, the high temperature may cause the injury.

9.2 STOP THE MACHINE

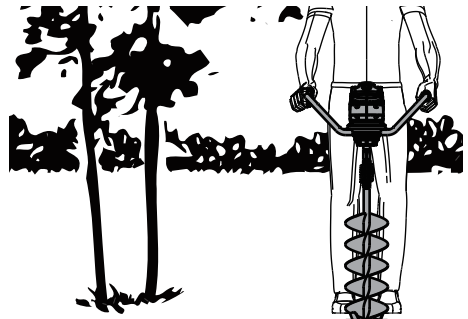
1. Release the trigger to stop the machine.

9.3 OPERATION TIPS



Before drilling a hole, always look to see what position the forward/reverse switch is in.

- Push the forward/reverse switch (3) to "F" for forward. The machine will rotate clockwise and drill down into the ground. Shift your body weight above the bit to help it drill.
- Push the forward/reverse switch (3) to "R" for reverse. The machine will rotate counterclockwise and attempt to rotate out of the ground. Pull up on the handles when drilling into the ground, this will allow the bit to go into the ground and out of the ground easier. The reverse function can also be used to help the bit unbind from a root or other obstruction.
- When drilling a deeper hole, clear dirt/ material from the auger bit occasionally by pulling the unit up 4 inches after drilling down every 6 inches. This will make the auger easier to remove once the hole has been completely drilled.
- In thick clay or rocky soils the hole may need to be drilled more slowly and the earth removed more often.
- If using in very cold conditions, the battery may need to be warmed up for the auger to work. This can be done by placing the battery in a warmer area (indoors, in a coat pocket, etc.) for a couple of minutes.



▲ WARNING

Hold the machine firmly with two hands at the same time and do not loosen your grip before the machine stops. Operate the machine in pairs if necessary.

10 MAINTENANCE**▲ CAUTION**

Do not let brake fluids, gasoline, petroleum-based materials touch the plastic parts. Chemicals can cause damage to the plastic, and make the plastic unserviceable.

▲ CAUTION

Do not use strong solvents or detergents on the plastic housing or components.

▲ WARNING

Remove the battery pack from the machine before maintenance.

10.1 CLEAN THE MACHINE**▲ WARNING**

Keep the machine and the motor free of leaves, branches or excessive oil to prevent fire risks.

- Use a moist cloth with a mild detergent to clean the machine.
- Clean all moisture with a soft dry cloth.
- Use a small brush to clean the air vents.

11 STORE THE MACHINE**i NOTE**

Clean the machine before storage.

1. Remove the battery pack.
2. Let the motor cool.
3. Check that there are no loose or damaged components. If it is necessary, replace the damaged components, tighten screws and bolts, or speak to a person of an approved service center.
4. Store the machine in a cool and dry location.

12 TROUBLESHOOTING

Problem	Possible cause	Solution
The motor does not start when you pull the trigger.	The battery pack is not installed tightly.	Make sure that you tightly install the battery pack in the machine.
	The battery pack is out of power.	Charge the battery pack.
The machine smokes during operation.	The machine has damage.	<ol style="list-style-type: none"> 1. Immediately stop the machine. 2. Remove the battery pack. 3. Contact the service center.
The motor is on, the bit do not move.	The machine has damage.	Do not use the machine and contact the service center.
	The bit are blocked.	Remove battery pack then clear blockage from the bit.
There is too much noise and/or vibration during operation.	The parts are loose.	<ol style="list-style-type: none"> 1. Stop the machine. 2. Remove the battery. 3. Inspect for damage. 4. Check and tighten loose parts.
	The parts have damage.	Do not use the machine and contact the service center.

13 TECHNICAL DATA

Voltage	60 V
No load speed	Forward: 210 min ⁻¹
	Reverse: 50 min ⁻¹
Bit	diameter: 8" (200 mm)
	length: 35" (890 mm)
Torque	59 ft-lbs
Weight (without battery pack)	33.5 lbs (15.2 kg)
Battery model	60BA02, 60BA03, 60BA04, 60BA06, 60BA08, 60BA05, 60BA25 and other BAC series

Charger model	CH60R00, 60DP10, 606P14 and other CAC series
---------------	--

The recommended ambient temperature range:

Item	Temperature
Appliance storage temperature range	32°F (0°C) - 113°F (45°C)
Appliance operation temperature range	32°F (0°C) - 113°F (45°C)
Battery charging temperature range	39°F (4°C) - 104°F (40°C)
Charger operation temperature range	39°F (4°C) - 104°F (40°C)
Battery storage temperature range	32°F (0°C) - 113°F (45°C)
Battery discharging temperature range	32°F (0°C) - 113°F (45°C)

14 LIMITED WARRANTY



Greenworks hereby warrants this product, to the original purchaser with proof of purchase, for a period of four (4) years against defects in materials, parts or workmanship. Greenworks, at its own discretion will repair or replace any and all parts found to be defective, through normal use, free of charge to the customer. This warranty is valid only for units which have been used for personal use that have not been hired or rented for industrial/commercial use, and that have been maintained in accordance with the instructions in the owners' manual supplied with the product from new.

ITEMS NOT COVERED BY WARRANTY:

1. Any part that has become inoperative due to misuse, commercial use, abuse, neglect, accident, improper maintenance, or alteration; or
2. The unit, if it has not been operated and/or maintained in accordance with the owner's manual; or
3. Normal wear, except as noted below;
4. Routine maintenance items such as lubricants, blade sharpening;
5. Normal deterioration of the exterior finish due to use or exposure.

HELPLINE:

Warranty service is available by calling our toll-free helpline, at 1-855-345-3934.

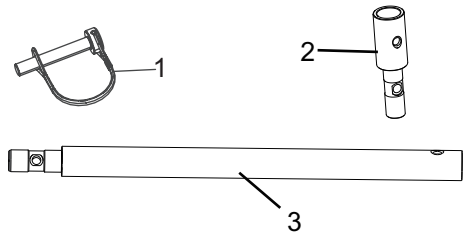
TRANSPORTATION CHARGES:

Transportation charges for the movement of any power equipment unit or attachment are the responsibility of the purchaser. It is the purchaser's responsibility to pay transportation charges for any part submitted for replacement under this warranty unless such return is requested in writing by Greenworks.

USA address:

Greenworks Tools
P.O. Box 1238
Mooresville, NC 28115

15 EXPLODED VIEW



No.	Part No.	Description	Qty
1	R0202466-00	Ring pin	3
2	R0202728-00	Adaptor	1
3	R0202729-00	Extender	1

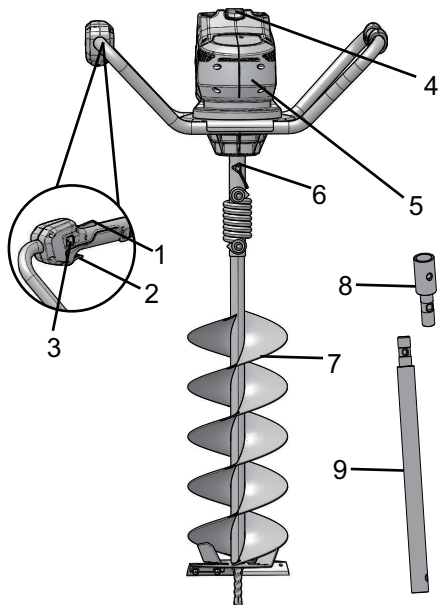
1	Descripción.....	13	6	Niveles de riesgo.....	16
1.1	Finalidad.....	13	7	Eliminación de batería segura	
1.2	Perspectiva general.....	13		para el medio ambiente.....	16
2	Advertencias generales de		8	Instalación.....	16
	seguridad para herramientas		8.1	Desembalaje de la máquina.....	16
	eléctricas.....	13	9	Funcionamiento.....	18
2.1	Seguridad de la zona de trabajo.....	13	9.1	Puesta en marcha de la máquina.....	18
2.2	Seguridad eléctrica.....	13	9.2	Detención de la máquina.....	19
2.3	Seguridad personal.....	13	9.3	Consejos de funcionamiento.....	19
2.4	Utilización y cuidado de herramientas		10	Mantenimiento.....	19
	eléctricas.....	14	10.1	Limpieza de la máquina.....	19
2.5	Utilización y cuidado de herramientas a		11	Almacenamiento de la máquina.....	20
	batería.....	14	12	Solución de problemas.....	20
2.6	Servicio.....	15	13	Datos técnicos.....	20
3	Propuesta 65.....	15	14	Garantía limitada.....	20
4	Seguridad infantil.....	15	15	Vista despiezada.....	21
5	Símbolos en el producto.....	15			

1 DESCRIPCIÓN

1.1 FINALIDAD

Esta máquina sirve para perforar la tierra y el suelo para hacer hoyos en el terreno.

1.2 PERSPECTIVA GENERAL



- | | |
|-------------------------------------|----------------------------|
| 1 Gatillo | 5 Cabezal de accionamiento |
| 2 Botón de bloqueo de seguridad | 6 Pasador de anillo |
| 3 Interruptor de avance/retroceso | 7 Broca |
| 4 Botón de desbloqueo de la batería | 8 Adaptador |
| | 9 Extensor |

2 ADVERTENCIAS GENERALES DE SEGURIDAD PARA HERRAMIENTAS ELÉCTRICAS

▲ AVISO

Lea todas las advertencias de seguridad, instrucciones, ilustraciones y especificaciones que se proporcionan con esta herramienta eléctrica. El incumplimiento de las instrucciones indicadas a continuación puede provocar descargas eléctricas, incendios o lesiones graves.

Guarde todas las advertencias e instrucciones para su consulta posterior.

El término "herramienta eléctrica" empleado en las advertencias se refiere a su herramienta eléctrica con funcionamiento a batería (inalámbrica).

2.1 SEGURIDAD DE LA ZONA DE TRABAJO

- Mantenga limpia y bien iluminada la zona de trabajo. Las zonas desordenadas u oscuras fomentan los accidentes.
- No utilice herramientas eléctricas en atmósferas explosivas, como en la presencia de líquidos, gases o polvo que puedan inflamarse. Las herramientas eléctricas generan chispas que pueden encender el polvo o los gases.
- Mantenga alejados a los niños y los transeúntes mientras utilice una herramienta eléctrica. Las distracciones pueden hacer que pierda el control.

2.2 SEGURIDAD ELÉCTRICA

- Los enchufes de las herramientas eléctricas deben corresponder con la toma de corriente. Nunca modifique el enchufe en modo alguno. No utilice enchufes adaptadores con herramientas eléctricas conectadas a tierra. La utilización de enchufes no modificados y de tomas de corriente adecuadas reducirá el riesgo de descarga eléctrica.
- Evite el contacto del cuerpo con superficies conectadas a tierra, como tuberías, radiadores, estufas y refrigeradores. Existe un riesgo aumentado de descarga eléctrica si su cuerpo está conectado a tierra.
- No exponga las herramientas eléctricas a la lluvia o a condiciones de humedad. Si penetra agua en una herramienta eléctrica, aumentará el riesgo de descarga eléctrica.
- No abuse del cable. Nunca utilice el cable para transportar, tirar o desenchufar la herramienta eléctrica. Mantenga el cable alejado del calor, el aceite, los bordes afilados o las piezas móviles. Los cables dañados o enredados aumentan el riesgo de descarga eléctrica.
- Cuando utilice una herramienta eléctrica en exteriores, use un cable alargador adecuado para uso en exterior. La utilización de un cable adecuado para uso en exterior reduce el riesgo de descarga eléctrica.
- Si no es inevitable el uso de una herramienta eléctrica en un lugar húmedo, utilice un suministro protegido por un DISPOSITIVO DE CORRIENTE RESIDUAL (RCD). La utilización de un RCD reduce el riesgo de descarga eléctrica.

2.3 SEGURIDAD PERSONAL

- Manténgase alerta, observe lo que está haciendo y emplee el sentido común cuando utilice una herramienta eléctrica. No utilice una herramienta eléctrica mientras esté cansado o bajo la influencia de drogas, alcohol o medicamentos. Un momento de

inatención durante el uso de herramientas eléctricas puede provocar lesiones personales graves.

- **Utilice equipos de protección personal. Lleve siempre protección ocular.** Si se utilizan correctamente equipos de protección como máscaras antipolvo, zapatos de seguridad antideslizantes, cascos o protecciones auditivas, se reducirán las lesiones personales.
- **Evite el arranque accidental. Asegúrese de que el interruptor esté en la posición de apagado antes de conectar a la fuente de alimentación o a la batería y al coger o transportar la herramienta.** El transporte de herramientas eléctricas con el dedo en el interruptor o la conexión de herramientas eléctricas que tienen el interruptor activado fomenta los accidentes.
- **Retire cualquier llave de ajuste antes de encender la herramienta eléctrica.** Una llave que se quede fijada a una pieza giratoria de la herramienta eléctrica puede provocar lesiones personales.
- **No se estire. Mantenga en todo momento una postura adecuada y el equilibrio.** Esto permite un mejor control de la herramienta eléctrica en situaciones inesperadas.
- **Lleve indumentaria adecuada. No lleve ropa o joyas sueltas.** Mantenga el cabello, la ropa y los guantes lejos de las piezas móviles. La ropa suelta, las joyas o el cabello largo pueden quedar atrapados en las piezas móviles.
- **Si se utilizan dispositivos para la conexión de sistemas de extracción y recogida de polvo, asegúrese de que estén conectados y se utilicen correctamente.** La utilización de sistemas de recogida de polvo puede reducir los riesgos relacionados con el polvo.
- **No permita que la familiaridad adquirida con el uso frecuente de las herramientas le permita ser confiado e ignore los principios de seguridad de las herramientas.** Una acción descuidada puede provocar lesiones graves en una fracción de segundo.

2.4 UTILIZACIÓN Y CUIDADO DE HERRAMIENTAS ELÉCTRICAS

- **No fuerce la herramienta eléctrica.** Utilice la herramienta eléctrica correcta para su aplicación. La herramienta eléctrica correcta hará el trabajo mejor y con mayor seguridad a la velocidad para la que se diseñó.
- **No utilice la herramienta eléctrica si el interruptor no la enciende y la apaga.** Cualquier herramienta eléctrica que no pueda controlarse con el interruptor es peligrosa y debe repararse.
- **Desconecte el enchufe de la fuente de alimentación o retire la batería de la herramienta eléctrica antes de realizar ajustes, cambiar accesorios o almacenar herramientas eléctricas.** Estas medidas de seguridad preventiva reducen el riesgo de que la herramienta eléctrica se arranque accidentalmente.
- **Almacene las herramientas eléctricas inactivas fuera del alcance de los niños y no permita que personas que no estén familiarizadas con la herramienta eléctrica o**

estas instrucciones puedan utilizarla. Las herramientas eléctricas son peligrosas en manos de usuarios inexpertos.

- **Mantenga las herramientas eléctricas y los accesorios.** Compruebe si hay desalineación o unión de las piezas móviles, rotura de piezas y cualquier otra condición que pueda afectar al funcionamiento de la herramienta eléctrica. Si ha sufrido daños, lleve a reparar la herramienta eléctrica antes del uso. Numerosos accidentes se deben a herramientas eléctricas mal mantenidas.
- **Mantenga limpias y afiladas las herramientas de corte.** Las herramientas de corte mantenidas correctamente con filos cortantes tienen menos probabilidades de atascarse y son más fáciles de controlar.
- **Utilice la herramienta eléctrica, los accesorios, las brocas, etc. de acuerdo con estas instrucciones, teniendo en cuenta las condiciones de trabajo y el trabajo a realizar.** El uso de la herramienta eléctrica para operaciones distintas de las previstas podría dar lugar a una situación peligrosa.
- **Mantenga las asas y las superficies de agarre secas, limpias y sin restos de aceite y grasa.** Las asas y las superficies de agarre resbaladizas no permiten un manejo y control seguros de la herramienta en situaciones inesperadas.

2.5 UTILIZACIÓN Y CUIDADO DE HERRAMIENTAS A BATERÍA

- **Recargue solo con el cargador especificado por el fabricante.** Un cargador adecuado para un tipo de batería puede dar lugar a un riesgo de incendio cuando se usa con otra batería.
- **Utilice las herramientas eléctricas únicamente con las baterías designadas específicamente.** El uso de cualquier otra batería puede dar lugar a un riesgo de lesiones e incendio.
- **Cuando la batería no esté en uso, manténgala alejada de otros objetos metálicos como clips, monedas, llaves, clavos, tornillos u otros objetos metálicos pequeños que puedan hacer una conexión entre los terminales.** El cortocircuito de los terminales de la batería puede provocar quemaduras o incendios.
- **Bajo condiciones abusivas, es posible que salga líquido despedido de la batería; evite el contacto. Si se produce un contacto accidental, aclare con agua. Si el líquido entra en contacto con los ojos, acuda también al médico.** El líquido despedido de la batería puede provocar irritación o quemaduras.
- **No utilice una batería o una herramienta que haya sufrido daños o modificaciones.** Las baterías dañadas o modificadas pueden exhibir un comportamiento impredecible que puede dar lugar a un incendio, una explosión o un riesgo de lesiones.
- **No exponga una batería o una herramienta al fuego ni a temperatura excesiva.** La exposición al fuego o a una

temperatura superior a 130°C puede provocar una explosión.

- **Siga todas las instrucciones de carga y no cargue la batería o la herramienta fuera del intervalo de temperatura especificado en las instrucciones.** La carga incorrecta o a temperaturas fuera del intervalo especificado puede dañar la batería y aumentar el riesgo de incendio.

2.6 SERVICIO

- **Solicite a un técnico de reparación cualificado que realice las tareas de servicio de su herramienta eléctrica utilizando únicamente piezas de repuesto idénticas.** Esto garantizará el mantenimiento de la seguridad de la herramienta eléctrica.
- **Nunca repare las baterías dañadas.** La reparación de las baterías únicamente debe ser realizada por el fabricante o los proveedores de servicio técnico autorizados.

3 PROPUESTA 65

▲ AVISO

Este producto contiene una sustancia química conocida en el estado de California como causante de cáncer, defectos de nacimiento u otros daños reproductivos. El polvo generado por el lijado eléctrico, el serrado, el esmerilado, la perforación y otras actividades de construcción contiene sustancias químicas que se sabe que son causantes de cáncer, defectos de nacimiento u otros daños reproductivos. Algunos ejemplos de estas sustancias químicas son:

- Plomo de pinturas con base de plomo;
- Sílice cristalina de ladrillos y cemento y otros productos de albañilería;
- Arsénico y cromo de la madera tratada químicamente.

El riesgo de exposición a estas sustancias químicas varía según la frecuencia con la que realice este tipo de trabajo. Para reducir su exposición a estas sustancias químicas, trabaje en una zona bien ventilada y trabaje con equipos de seguridad aprobados, como máscaras antipolvo, que estén especialmente diseñadas para filtrar partículas microscópicas.

Conserve estas instrucciones.

4 SEGURIDAD INFANTIL

Pueden producirse accidentes trágicos si el operario no es consciente de la presencia de niños.










- Mantenga a los niños fuera de la zona de trabajo y bajo la vigilancia de un adulto responsable.
- No permita que niños menores de 14 años utilicen esta herramienta. Los niños de 14 años y mayores deben leer y entender las instrucciones de funcionamiento y las normas de seguridad que se encuentran en este manual y


deben recibir formación y supervisión por parte de uno de sus progenitores.

- Manténgase alerta y apague el aparato si un niño o cualquier otra persona entra en la zona de trabajo.
- Tenga mucho cuidado al acercarse a esquinas ciegas, portales, arbustos, árboles u otros objetos que puedan ocultar su visión de un niño que pueda correr hacia el recorrido del aparato.

5 SÍMBOLOS EN EL PRODUCTO




En esta herramienta pueden utilizarse algunos de los siguientes símbolos. Le rogamos que los estudie y aprenda su significado. La interpretación correcta de estos símbolos le permitirá manejar la herramienta mejor y de manera más segura.

Símbolo	Explicación
V	Tensión
A	Corriente
W	Potencia
min	Tiempo
min ⁻¹	Revoluciones, carreras, velocidad de superficie, órbitas, etc., por minuto
	Corriente continua
	Debe leer y entender todas las instrucciones antes de manejar el producto, así como seguir todas las advertencias e instrucciones de seguridad.
	Precauciones que afectan a su seguridad.
	Lleve siempre protección ocular con protectores laterales marcada para cumplir la ANSI Z87.1 cuando utilice este equipo.
	No exponga el producto a la lluvia o a condiciones de humedad.
	Mantenga a los transeúntes al menos a 15 m (50 pies).
	Si no evita que la ropa suelta se introduzca en la entrada de aire, podrían producirse lesiones personales.
	Si no se mantiene el cabello largo lejos de la entrada de aire, podrían producirse lesiones personales.
	Las palas giratorias del rotor pueden producir lesiones graves.
	Lleve guantes antideslizantes resistentes.

Símbolo	Explicación
	Lleve protección auditiva.

6 NIVELES DE RIESGO

Las siguientes indicaciones y significados tienen como fin explicar los niveles de riesgo asociados a este producto.

SÍMBOLO	INDICACIÓN	SIGNIFICADO
	PELIGRO	Indica una situación de peligro inminente que, de no evitarse, provocará lesiones graves o incluso la muerte.
	ADVERTENCIA	Indica una situación de peligro potencial que, de no evitarse, podría provocar lesiones graves o incluso la muerte.
	PRECAUCIÓN	Indica una situación de peligro potencial que, de no evitarse, puede provocar lesiones leves o moderadas.
	PRECAUCIÓN	(Sin símbolo de alerta sobre seguridad) Indica una situación que puede provocar daños materiales.

7 ELIMINACIÓN DE BATERÍA SEGURA PARA EL MEDIO AMBIENTE



Los materiales tóxicos y corrosivos que figuran a continuación se encuentran en las baterías utilizadas en esta máquina: **Ion de litio, un material tóxico.**

▲ AVISO

Deseche todos los materiales tóxicos de una manera especificada para evitar la contaminación del medio ambiente. Antes de desechar una batería de ion de litio dañada o agotada, contacte con la agencia local de eliminación de residuos o con la agencia de protección ambiental local para obtener información e instrucciones específicas. Lleve las baterías a un centro de reciclaje o eliminación local, certificado para la eliminación de ion de litio.

▲ AVISO

Si la batería se agrieta o se rompe, con o sin fugas, no la recargue ni la utilice. Deséchela y sustitúyala por una batería nueva. ¡NO INTENTE REPARARLA! Para evitar lesiones y riesgos de incendio, explosión o descarga eléctrica, y para evitar daños al medio ambiente:

- Cubra los terminales de la batería con cinta adhesiva resistente.
- NO intente retirar o destruir ninguno de los componentes de la batería.
- NO intente abrir la batería.
- Si se produce una fuga, los electrolitos liberados son corrosivos y tóxicos. NO deje que la solución entre en contacto con los ojos o la piel, y no la ingiera.
- NO deseche estas baterías con la basura doméstica normal.
- NO incinere.
- NO lleve las baterías a lugares donde formarán parte de vertederos de residuos o flujos de residuos sólidos urbanos.
- Llévelas a un centro de reciclaje o eliminación certificado.

8 INSTALACIÓN

8.1 DESEMBALAJE DE LA MÁQUINA

▲ AVISO

No es necesario montar la máquina.

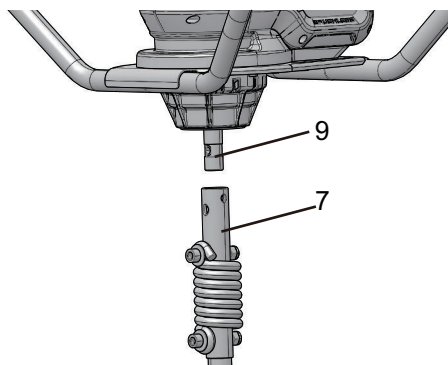
- Si las piezas presentan daños, no utilice la máquina.
- Si no tiene todas las piezas, no utilice la máquina.
- Si faltan piezas o hay piezas dañadas, hable con el centro de servicio.

1. Abra el embalaje.
2. Lea la documentación que se encuentra en la caja.
3. Retire la máquina de la caja.
4. Deseche la caja y el material de embalaje de conformidad con los reglamentos locales.

8.1.1 INSTALACIÓN DE LA BROCA AHOYADORA

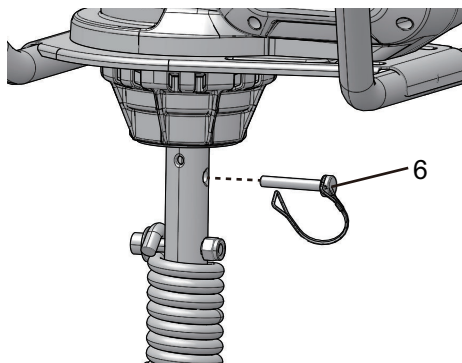
▲ AVISO

Para evitar una puesta en marcha accidental que podría provocar lesiones personales graves, retire siempre la batería de la herramienta al montar cualquier pieza.

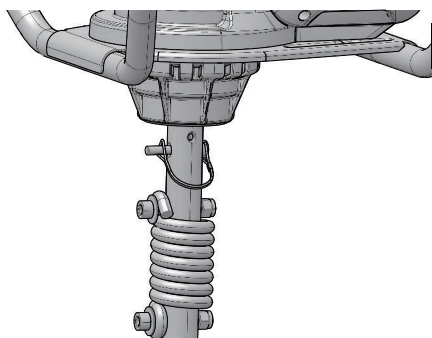


Este eje ahoyador mide 7/8" de diámetro. Funciona con la mayoría de las brocas de tamaño universal diseñadas para este tamaño de eje.

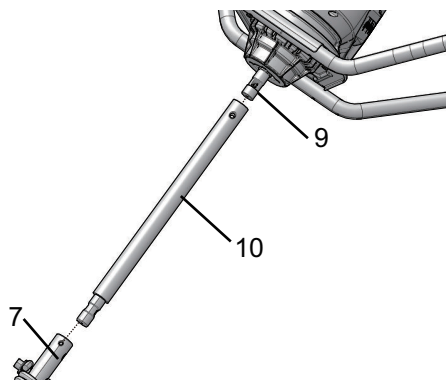
1. Asegúrese de utilizar la broca correcta (7) para el material que desea perforar.
2. Alinee los orificios del eje del ahoyador (9) con los orificios de la broca.



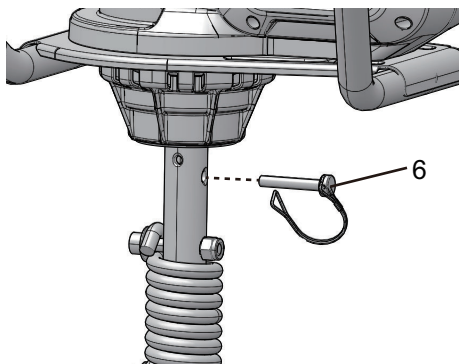
3. Abra el pasador de anillo (6).
4. Introduzca el pasador de anillo por los orificios.
5. Cierre y bloquee el pasador de anillo para fijar la broca al eje ahoyador.



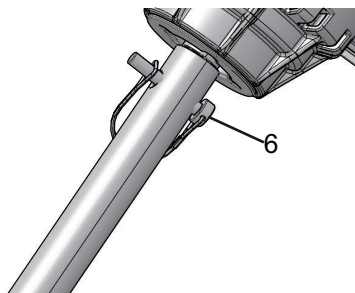
8.1.2 INSTALACIÓN DEL EXTENSOR



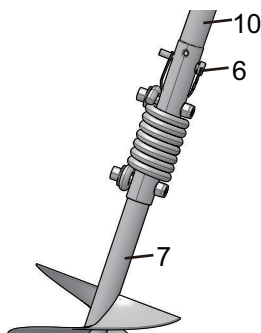
1. Alinee los orificios del eje ahoyador (9) con los orificios del extensor (10).



2. Abra el pasador de anillo (6).
3. Introduzca el pasador de anillo por los orificios.



4. Cierre y bloquee el pasador de anillo para fijar el extensor al eje ahoyador.
5. Alinee los orificios del eje ahoyador (9) con los orificios de la broca (7).

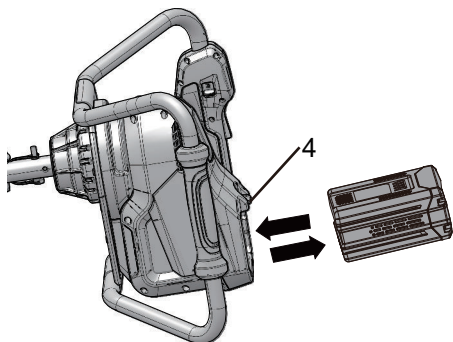


6. Instale y bloquee el pasador de anillo para fijar la broca al extensor.

▲ AVISO

Para evitar una puesta en marcha accidental que podría provocar lesiones personales graves, retire siempre la batería de la herramienta al montar cualquier pieza.

8.1.3 INSTALACIÓN DE LA BATERÍA



▲ AVISO

- Si la batería o el cargador ha sufrido daños, sustituya la batería o el cargador.
- Detenga la máquina y espere hasta que el motor se pare antes de instalar o retirar la batería.
- Debe leer, conocer y seguir las instrucciones del manual de la batería y el cargador.

1. Alinee las nervaduras de elevación de la batería con las ranuras del compartimento de la batería.
2. Introduzca la batería en el compartimento de la batería hasta que encaje en su posición.
3. Cuando escuche un clic, la batería está instalada.

8.1.4 RETIRADA DE LA BATERÍA

1. Pulse y mantenga pulsado el botón de desbloqueo de la batería.
2. Retire la batería de la máquina.

9 FUNCIONAMIENTO

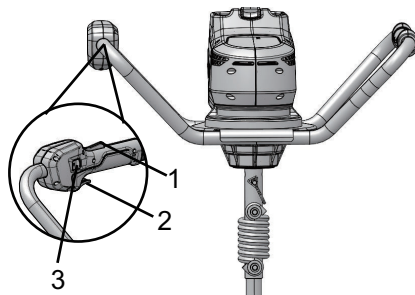
- Toque la broca con cuidado.
- No toque la broca a menos que retire la batería.
- No utilice la máquina si la broca ha sufrido daños o está doblada.
- Retire todos los objetos, como cordones, luces, cables o cuerdas que puedan enredarse en la broca y generar un riesgo de lesiones personales.

▲ AVISO

Si la broca se engancha en un cable o línea eléctrica, ¡NO TOQUE LA BROCA! PUEDE TENER CORRIENTE Y SER PELIGROSA. Realice estos pasos:

1. Sujete el asa posterior aislada o deje la máquina lejos de usted.
2. Desconecte el suministro eléctrico a la línea o cable dañado antes de intentar liberar la broca.

9.1 PUESTA EN MARCHA DE LA MÁQUINA



Esta máquina tiene tres luces a lo largo de la parte inferior del cabezal de accionamiento alrededor del eje. Cuando aprieta el gatillo, las luces se encienden. Si suelta el gatillo completamente, las luces se apagarán después de 30 segundos.

1. Pulse el interruptor de desbloqueo de seguridad (2).
2. Apriete el gatillo (1) para poner en marcha la máquina.

▲ AVISO

Mantenga la máquina lejos del agua.

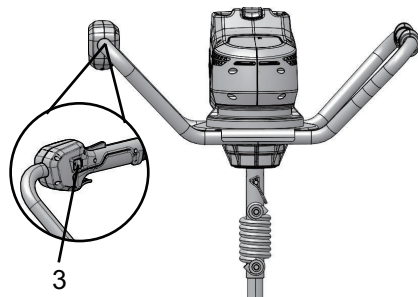
▲ PELIGRO

No toque la tapa de la caja de engranajes después de manejar la máquina, la alta temperatura puede provocar una lesión.

9.2 DETENCIÓN DE LA MÁQUINA

1. Suelte el gatillo para detener la máquina.

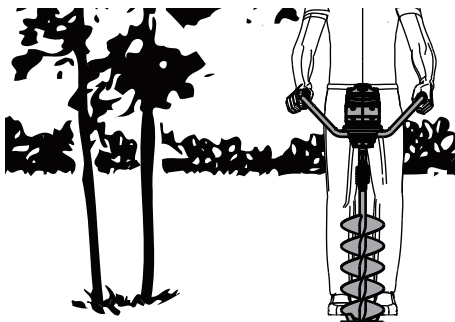
9.3 CONSEJOS DE FUNCIONAMIENTO



Antes de hacer un hoyo, mire siempre en qué posición está el interruptor de avance/retroceso.

- Sitúe el interruptor de avance/retroceso (3) en "F" para avanzar. La máquina girará en sentido horario y perforará el suelo. Aplique el peso de su cuerpo sobre la broca para ayudarla a perforar.
- Sitúe el interruptor de avance/retroceso (3) en "R" para retroceder. La máquina girará en sentido antihorario y tratará de girar para salir del suelo. Tire hacia arriba de las asas cuando perfore en el terreno, esto permitirá que la broca entre y salga del suelo más fácilmente. La función de retroceso también puede utilizarse para ayudar a la broca a desengancharse de una raíz u otra obstrucción.
- Al perforar un hoyo más profundo, limpie la suciedad/el material de la broca ahoyadora de vez en cuando tirando de la unidad hacia arriba 10 cm (4 pulgadas) después de perforar cada 15 cm (6 pulgadas). Esto facilitará la extracción del ahoyador cuando el hoyo haya sido completamente perforado.

- En suelos arcillosos o rocosos, puede ser necesario perforar el hoyo más lentamente y retirar la tierra más a menudo.
- Si se utiliza en condiciones muy frías, puede ser necesario calentar la batería para que el ahoyador funcione. Para ello, coloque la batería en una zona más cálida (en el interior, en el bolsillo de un abrigo, etc.) durante un par de minutos.



▲ AVISO

Sujete la máquina firmemente con las dos manos al mismo tiempo y no afloje su agarre antes de que la máquina se detenga. Utilice la máquina por parejas si es necesario.

10 MANTENIMIENTO

▲ PRECAUCIÓN

No permita que líquidos de frenos, gasolina y otros derivados del petróleo toquen las piezas de plástico. Las sustancias químicas pueden dañar el plástico y hacer que quede inservible.

▲ PRECAUCIÓN

No utilice disolventes o detergentes fuertes en la carcasa o los componentes de plástico.

▲ AVISO

Retire la batería de la máquina antes de realizar tareas de mantenimiento.

10.1 LIMPIEZA DE LA MÁQUINA

▲ AVISO

Mantenga la máquina y el motor libres de hojas, ramas o exceso de aceite para evitar riesgos de incendio.

- Utilice un paño húmedo con un detergente suave para limpiar la máquina.
- Limpie toda la humedad con un paño suave y seco.
- Utilice un cepillo pequeño para limpiar los orificios de ventilación.

11 ALMACENAMIENTO DE LA MÁQUINA

i NOTA

Limpie la máquina antes del almacenamiento.

1. Retire la batería.
2. Deje que el motor se enfríe.
3. Compruebe que no haya componentes sueltos o dañados. En caso necesario, sustituya los componentes dañados, apriete los tornillos y los pernos o consulte con una persona de un centro de servicio autorizado.
4. Almacene la máquina en un lugar fresco y seco.

12 SOLUCIÓN DE PROBLEMAS

Problema	Posible causa	Solución
El motor no se pone en marcha cuando aprieta el gatillo.	La batería no se ha instalado bien.	Asegúrese de que ha instalado bien la batería en la máquina.
	La batería se ha agotado.	Cargue la batería.
La máquina echa humo durante el funcionamiento.	La máquina ha sufrido daños.	<ol style="list-style-type: none"> 1. Detenga la máquina inmediatamente. 2. Retire la batería. 3. Contacte con el centro de servicio.
El motor está en marcha, la broca no se mueve.	La máquina ha sufrido daños.	No utilice la máquina y contacte con el centro de servicio.
	La broca está bloqueada.	Retire la batería y, posteriormente, elimine la obstrucción de la broca.
Hay demasiado ruido o vibración durante el funcionamiento.	Las piezas están flojas.	<ol style="list-style-type: none"> 1. Detenga la máquina. 2. Retire la batería. 3. Inspeccione si hay daños. 4. Compruebe y apriete las piezas sueltas.
	Las piezas han sufrido daños.	No utilice la máquina y contacte con el centro de servicio.

13 DATOS TÉCNICOS

Tensión	60 V
Velocidad sin carga	Avance: 210 min ⁻¹
	Retroceso: 50 min ⁻¹
Broca	diámetro: 8" (200 mm)
	longitud: 35" (890 mm)
Par	59 ft-lbs
Peso (sin batería)	33.5 lbs (15.2 kg)
Modelo de batería	60BA02, 60BA03, 60BA04, 60BA06, 60BA08, 60BA05, 60BA25 y otras series BAC
Modelo de cargador	CH60R00, 60DP10, 606P14 y otras series CAC

El intervalo de temperatura ambiente recomendado:

Elemento	Temperatura
Intervalo de temperatura de almacenamiento del aparato	32°F (0°C) - 113°F (45°C)
Intervalo de temperatura de funcionamiento del aparato	32°F (0°C) - 113°F (45°C)
Intervalo de temperatura de carga de la batería	39°F (4°C) - 104°F (40°C)
Intervalo de temperatura de funcionamiento del cargador	39°F (4°C) - 104°F (40°C)
Intervalo de temperatura de almacenamiento de la batería	32°F (0°C) - 113°F (45°C)
Intervalo de temperatura de descarga de la batería	32°F (0°C) - 113°F (45°C)

14 GARANTÍA LIMITADA



Por la presente Greenworks garantiza este producto, al comprador original con el comprobante de compra, durante un periodo de cuatro (4) años frente a defectos en materiales, piezas o mano de obra. A su entera discreción Greenworks reparará o sustituirá cualquiera y todas las piezas que resulten ser defectuosas, con un uso normal, sin coste alguno para el cliente. Esta garantía es válida únicamente para unidades que se hayan utilizado para uso personal que no han sido arrendadas o alquiladas para uso industrial/comercial y cuyo mantenimiento se ha realizado de acuerdo con las

instrucciones del manual del propietario suministrado con el producto nuevo.

ARTÍCULOS NO CUBIERTOS POR LA GARANTÍA:

1. Cualquier pieza que no funcione debido a mal uso, uso comercial, abuso, negligencia, accidente, mantenimiento inadecuado o alteración; o
2. La unidad, si no ha sido utilizada o mantenida de acuerdo con el manual del propietario; o
3. Desgaste normal, excepto en lo indicado a continuación;
4. Artículos de mantenimiento de rutina tales como lubricantes, afilado de cuchillas;
5. Deterioro normal del acabado exterior debido al uso o la exposición.

LÍNEA DE ASISTENCIA TELEFÓNICA:

Puede contactar con el servicio de garantía llamando a nuestra línea de asistencia telefónica gratuita, a 1-855-345-3934.

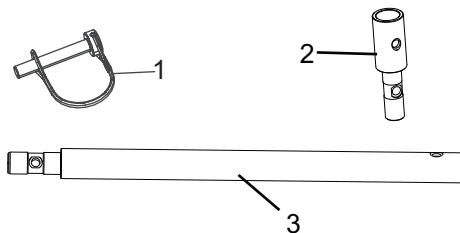
COSTES DE TRANSPORTE:

Los costes de transporte por el desplazamiento de cualquier unidad o accesorio de equipos eléctricos son responsabilidad del comprador. Es responsabilidad del comprador pagar los costes de transporte de cualquier pieza enviada para su sustitución bajo esta garantía, a menos que dicha devolución sea solicitada por escrito por Greenworks.

Dirección en EE.UU.:

Greenworks Tools
P.O. Box 1238
Mooresville, NC 28115

15 VISTA DESPIEZADA



Nº	Nº pieza	Descripción	Cant.
1	R0202466-00	Pasador de anillo	3
2	R0202728-00	Adaptador	1
3	R0202729-00	Extensor	1

