

**greenworks**

**pro**<sup>TM</sup>

ED60L01  
ED60L211

ULTRAPOWER<sup>TM</sup>  
**60V**

EN

EDGER

OPERATOR MANUAL

ES

BORDEADORA

MANUAL DEL OPERADOR



**STC405**

[www.greenworktools.com](http://www.greenworktools.com)



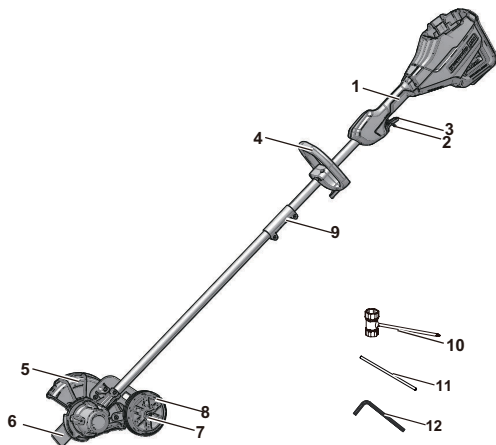
<b>1</b>	<b>Description.....</b>	<b>4</b>	9.1	Start the machine.....	8
1.1	Purpose.....	4	9.2	Stop the machine.....	8
1.2	Overview.....	4	9.3	Adjust the depth of cut.....	8
1.3	Packing list.....	4	9.4	Replace the blade.....	9
<b>2</b>	<b>Important safety instructions.....</b>	<b>4</b>	9.5	Operation tips.....	9
<b>3</b>	<b>Symbols on the machine.....</b>	<b>5</b>	<b>10</b>	<b>Maintenance.....</b>	<b>10</b>
<b>4</b>	<b>Risk levels.....</b>	<b>6</b>	10.1	General information.....	10
<b>5</b>	<b>Service.....</b>	<b>6</b>	10.2	Clean the machine.....	10
<b>6</b>	<b>Environmentally safe battery disposal.....</b>	<b>6</b>	10.3	Replace the skid plate.....	10
<b>7</b>	<b>Proposition 65.....</b>	<b>6</b>	10.4	Replace the wheel.....	10
<b>8</b>	<b>Installation.....</b>	<b>7</b>	<b>11</b>	<b>Transportation and storage.....</b>	<b>11</b>
8.1	Unpack the machine.....	7	11.1	Move the machine.....	11
8.2	Attach the auxiliary handle.....	7	11.2	Store the machine.....	11
8.3	Assemble the shaft.....	7	<b>12</b>	<b>Troubleshooting.....</b>	<b>11</b>
8.4	Install the battery pack.....	7	<b>13</b>	<b>Technical data.....</b>	<b>11</b>
8.5	Remove the battery pack.....	8	<b>14</b>	<b>Limited warranty.....</b>	<b>11</b>
<b>9</b>	<b>Operation.....</b>	<b>8</b>	<b>15</b>	<b>Replacement parts.....</b>	<b>12</b>

## 1 DESCRIPTION

### 1.1 PURPOSE

This edger is used to trim and cut around the edge of driveways, side walks and more. The edger is not meant to be used to cut hedges, shrubs, bushes, or flowers.

### 1.2 OVERVIEW



- |    |                       |
|----|-----------------------|
| 1  | Rear handle           |
| 2  | Lock-out lever        |
| 3  | Trigger               |
| 4  | Auxiliary handle      |
| 5  | Guard                 |
| 6  | Blade                 |
| 7  | Depth adjustment knob |
| 8  | Wheel                 |
| 9  | Coupler               |
| 10 | Wrench                |
| 11 | Metal rod             |
| 12 | Allen key             |

### 1.3 PACKING LIST

- |   |                  |   |                 |
|---|------------------|---|-----------------|
| 1 | Edger            | 4 | Wrench          |
| 2 | Auxiliary handle | 5 | Allen key       |
| 3 | Metal Rod        | 6 | Operator manual |

## 2 IMPORTANT SAFETY INSTRUCTIONS

**READ ALL INSTRUCTIONS BEFORE USING (THIS POWER TOOL)**

### ⚠ WARNING

**Read and understand all instructions before using this product.** Failure to follow all instructions listed below may result in electric shock, fire, and/or serious personal injury.

- Use only identical manufacturer's replacement parts and accessories. Use of any other parts may create a hazard or cause product damage.
- Always wear safety glasses with side shields marked to comply with ANSI Z87.1. Everyday glasses have only impact resistant lenses. They are NOT safety glasses. Following this rule will reduce the risk of eye injury. Use face mask if operating in dusty work spaces.
- Avoid Dangerous Environment – Don't expose power tools to damp or wet conditions. Water entering a power tool will increase the risk of electric shock.
- Don't use in rain.
- Keep all bystanders, children, and pets at least 50 ft. away.
- Dress Properly – Do not wear loose clothing or jewelry. They can be caught in moving parts. Use of rubber gloves and substantial footwear is recommended when working outdoors. Wear protective hair covering to contain long hair.
- Use right Appliance. Do not use appliance for any job except that for which it is intended.
- Avoid Unintentional Starting – Don't carry appliance with finger on switch. Be sure switch is off when battery plugging in.
- Don't Force Appliance – It will do the job better and with less likelihood of a risk of injury at the rate for which it was designed.
- Don't overreach – Keep proper footing and balance at all times.
- Stay alert – Watch what you are doing. Use common sense. Do not operate this unit when you are tired, ill or under the influence of alcohol, drugs or medication.
- Always store idle power tools indoors – When not in use, power tools should be stored indoors in a dry and high or locked-up place, out of reach of children.
- Maintain Appliance With Care – Replace string head if cracked, chipped, or damaged in any way. Be sure the string head is properly installed and securely fastened. Keep cutting edge sharp and clean for best performance and to reduce the risk of injury. Follow instructions for lubricating and changing accessories. Inspect appliance cord periodically, and if damaged, have it repaired by an authorized service facility. Inspect extension cords periodically and replace if damaged. Keep handles dry, clean, and free from oil and grease. Failure to do so can cause serious injury.
- Check damaged parts before using the appliance, a guard or other part that is damaged should be carefully checked to determine that it will operate properly and perform its intended function. Check for alignment of moving parts, binding of moving parts, breakage of parts, damaged mountings, and any other condition that may affect its

operation. A guard or other part that is damaged should be properly repaired or replaced by an authorized service center unless indicated elsewhere in this manual.

- Do not charge appliance in rain, or in wet locations.
- Remove or disconnect battery before servicing, cleaning or removing material from the gardening appliance.
- Use appliances only with specifically designated battery packs. Use of any other battery packs may create a risk of injury and fire.
- Recharge only with the charger specified by the manufacturer. A charger that is suitable for one type of battery pack may create a risk of fire when used with another battery pack.
- Use only with Greenworks LB602, LB6025, LB603, LB604, LB605, LB606 battery or other BAC series.
- Use only with Greenworks CAC801, CH60DP01, 60DPC10A, CH60R00 charger or other CAC series.
- When battery pack is not in use, keep it away from other metal objects, like paper clips, coins, keys, nails, screws or other small metal objects, that can make a connection from one terminal to another. Shorting the battery terminals together may cause a fire.
- Under abusive conditions, liquid may be ejected from the battery; avoid contact. If contact accidentally occurs, flush with water. If liquid contacts eyes, additionally seek medical help. Liquid ejected from the battery may cause irritation or burns.
- Do not use a battery pack or appliance that is damaged or modified. Damaged or modified batteries may exhibit unpredictable behavior resulting in fire, explosion or risk of injury.
- Do not expose a battery pack or appliance to fire or excessive temperature. Exposure to fire or temperature above 265 °F (130 °C) may cause an explosion.
- Do not dispose of the batteries in a fire. The cells may explode. Check with local codes for possible special disposal instructions.
- Do not open or mutilate the batteries. Released electrolyte is corrosive and may cause damage to the eyes or skin. It may be toxic if swallowed.
- Exercise care in handling batteries in order not to short the battery with conducting materials such as rings, bracelets, and keys. The battery or conductor may overheat and cause burns.
- Follow all charging instructions and do not charge the battery pack or appliance outside of the temperature range specified in the instructions. Charging improperly or at temperatures outside of the specified range may damage the battery and increase the risk of fire.
- Disconnect the battery pack from the appliance before making any adjustments, changing accessories, or storing appliance. Such preventive safety measures reduce the risk of starting the appliance accidentally.
- Have servicing performed by a qualified repair person using only identical replacement parts. This will ensure that the safety of the product is maintained.
- Keep guards in place and in working order.

- Keep hands and feet away from cutting area.
- Keep blades sharp.







#### The recommended ambient temperature range:



Item	Temperature
Edger storage temperature range	32°F (0°C) - 113°F (45°C)
Edger operation temperature range	32°F (0°C) - 113°F (45°C)
Battery charging temperature range	39°F (4°C) - 104°F (40°C)
Charger operation temperature range	39°F (4°C) - 104°F (40°C)
Battery storage temperature range	32°F (0°C) - 113°F (45°C)
Battery discharging temperature range	32°F (0°C) - 113°F (45°C)

#### SAVE THESE INSTRUCTIONS

### 3 SYMBOLS ON THE MACHINE




Some of the following symbols can be used on this machine. Please study them and learn their definition. Proper interpretation of these symbols will let you operate the tool better and safer.

Symbol	Explanation
V	Voltage
A	Current
Hz	Frequency (cycles per second)
W	Power
min	Time
/min	Revolutions, strokes, surface speed, or-bits etc., per minute
	Direct current
	Precautions that involve your safety.
	Read and understand all instructions before you operate the machine, and follow all warnings and safety instructions.
	Always wear safety glasses with side shields marked to comply with ANSI Z87.1 when you operate this machine.
	Do not expose the machine to rain or moist conditions.
	Keep all bystanders at least 15m away.

Symbol	Explanation
	Thrown objects can ricochet and result in personal injury or property damage.
	Danger - Keep hands and feet away from blade.

## 4 RISK LEVELS

The following signal words and meanings are intended to explain the levels of risk associated with this product.

SYM-BOL	SIGNAL	MEANING
	DANGER	Indicates an imminently hazardous situation, which, if not avoided, will result in death or serious injury.
	WARNING	Indicates a potentially hazardous situation, which, if not avoided, could result in death or serious injury.
	CAUTION	Indicates a potentially hazardous situation, which, if not avoided, may result in minor or moderate injury.
	CAUTION	(Without Safety Alert Symbol) Indicates a situation that may result in property damage.

## 5 SERVICE

Servicing requires extreme care and knowledge and must be performed only by a qualified service technician. For service we suggest you return the machine to your nearest **AUTHORIZED SERVICE CENTER** for repair. Use only identical manufacturer's replacement parts and accessories.

## 6 ENVIRONMENTALLY SAFE BATTERY DISPOSAL



The toxic and corrosive materials below are in the batteries used in this machine: **Lithium-Ion, a toxic material.**

### ▲ WARNING

Discard all toxic materials in a specified manner to prevent contamination of the environment. Before discarding damaged or worn out Li-ion battery, contact your local waste disposal agency, or the local Environmental Protection Agency for information and specific instructions. Take the batteries to a local recycling and/or disposal center, certified for lithium-ion disposal.

### ▲ WARNING

If the battery pack cracks or breaks, with or without leaks, do not recharge it and do not use. Discard it and replace with a new battery pack. **DO NOT TRY TO REPAIR IT!** To prevent injury and risk of fire, explosion, or electric shock, and to avoid damage to the environment:

- Cover the terminals of the battery with heavy-duty adhesive tape.
- **DO NOT** try to remove or destroy any of the battery pack components.
- **DO NOT** try to open the battery pack.
- If a leak develops, the released electrolytes are corrosive and toxic. **DO NOT** get the solution in the eyes or on skin, and do not swallow it.
- **DO NOT** put these batteries in your regular household trash.
- **DO NOT** incinerate.
- **DO NOT** put them where they will become part of any waste landfill or municipal solid waste stream.
- Take them to a certified recycling or disposal center.

## 7 PROPOSITION 65

### ▲ WARNING

This product contains a chemical known to the state of California to cause cancer, birth defects or other reproductive harm. Some dust created by power sanding, sawing, grinding, drilling, and other construction activities contains chemicals known to cause cancer, birth defects or other reproductive harm. Some examples of these chemicals are:

- Lead from lead-based paints;
- Crystalline silica from bricks and cement and other masonry products;
- Arsenic and chromium from chemically treated lumber.

Your risk of exposure to these chemicals varies depending on how often you do this type of work. To reduce your exposure to these chemicals, work in a well-ventilated area, and work with approved safety equipment, such as dust masks that are specially designed to filter out microscopic particles.

## 8 INSTALLATION

### 8.1 UNPACK THE MACHINE

#### ▲ WARNING

Make sure that you correctly assemble the machine before use.

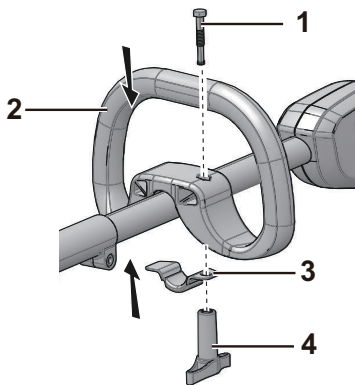
#### ▲ WARNING

- If parts of the machine are damaged, do not use the machine.
- If you do not have all the parts, do not operate the machine.
- If the parts are damaged or missing, contact the service center.

1. Open the package.
2. Read the documentation in the box.
3. Remove all the unassembled parts from the box.
4. Remove the machine from the box.
5. Discard the box and package in compliance with local regulations.

### 8.2 ATTACH THE AUXILIARY HANDLE

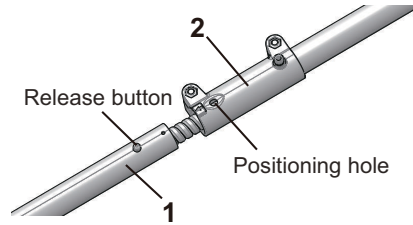
1. Remove the knob from the handle.
2. Attach the auxiliary handle (2) and lower clamp (3) on the shaft.
3. Set the auxiliary handle in the comfortable position.
4. Put the bolt (1) through the holes.
5. Tighten the auxiliary handle with the knob (4).



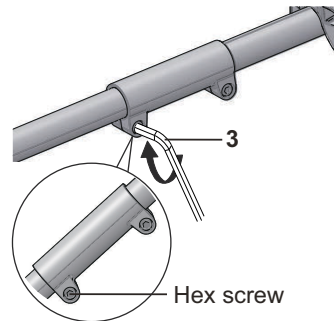
### 8.3 ASSEMBLE THE SHAFT

1. Loosen the screw on the coupler (2).
2. Push in the release button on the lower shaft (1).

3. Align the release button with the positioning hole and slide the two shafts together.



4. Turn the lower shaft until the button locks into the positioning hole.
5. Tighten the screw with the hex wrench (3).

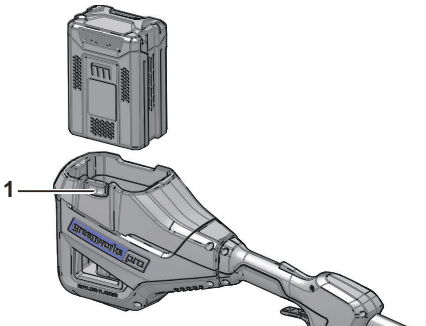


### 8.4 INSTALL THE BATTERY PACK

#### ▲ WARNING

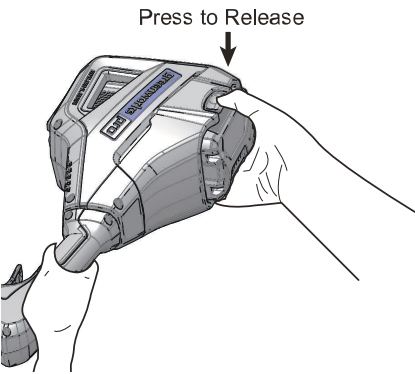
- If the battery pack or charger is damaged, replace the battery pack or the charger.
- Stop the machine and wait until the motor stops before you install or remove the battery pack.
- Read and understand the instructions in the battery and charger manual.

1. Align the lift ribs on the battery pack with the grooves in the battery compartment.
2. Push the battery pack into the battery compartment until the battery pack locks into place.
3. When you hear a click, the battery pack is installed.



**8.5 REMOVE THE BATTERY PACK**

- 1. Push and hold the battery release button (1).
- 2. Remove the battery pack from the machine.



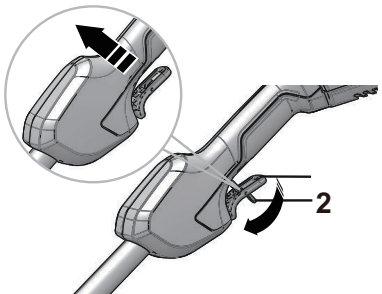
**9 OPERATION**

**i IMPORTANT**  
 Before you operate the machine, read and understand the safety regulations and the operation instructions.

**▲ WARNING**  
 Be careful when you operate the machine.

**9.1 START THE MACHINE**

- 1. Push forward the lock-out lever (2) and pull the trigger (1).

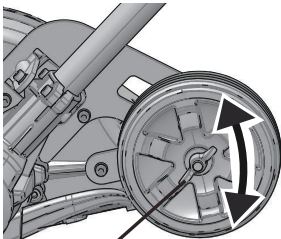


**9.2 STOP THE MACHINE**

- 1. Release the trigger to stop the machine.

**9.3 ADJUST THE DEPTH OF CUT**

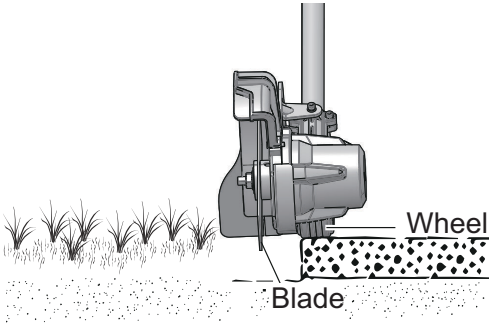
- 1. Remove the battery pack.
- 2. Loosen the depth adjustment knob to increase or decrease the depth.



Depth Adjustment Knob

- 3. Adjust the depth so that the blade barely touches the ground when the machine is held in a normal operating posture.
- 4. Tighten the depth adjustment knob.
- 5. Standing in a normal working position, check the depth of cut again and correct if necessary.
- 6. Replace the battery pack once all adjustments are complete.



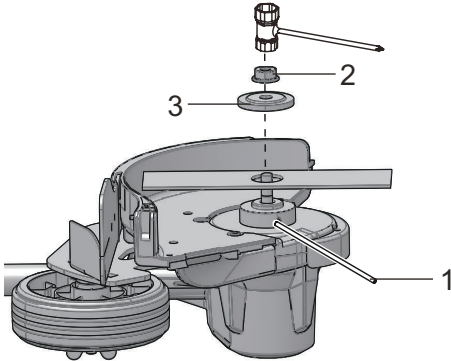


## 9.4 REPLACE THE BLADE

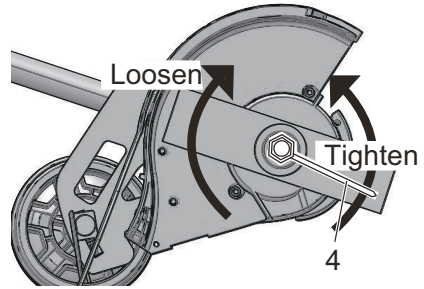
### **i** NOTE

If the blade worn out, replace it with a new one (not provided).

1. Use a metal rod (1) to fix the blade.
2. Remove the nut (2) by turning it clockwise with the wrench (4) provided.
3. Remove the washer (3).



4. Remove the old blade and replace it with a new one.
5. Place the washer on the blade.
6. Place the nut on the washer and tighten it counterclockwise with the wrench provided.



## 9.5 OPERATION TIPS

### **▲** WARNING

Always hold the edger away from the body keeping clearance between your body and the edger. Any contact with the edger cutting head while operating can result in serious personal injury.

- Hold the edger with your right hand on the rear handle and your left hand on the front handle.
- Keep a firm grip with both hands while in operation.
- Edger should be held at a comfortable position with the rear handle about hip height.
- The edger will edge along sidewalks, driveways, flower beds, curbs, and similar areas.
- Cut at a steady pace. If the blade begins to bog down, you are edging too fast; slow your pace. Do not force the blade into ground.
- Light contact of the blade against the sidewalk edge, curb, etc., is acceptable and will not damage the edger.
- Best appearance is obtained when grass is dry. Avoid edging in wet soil or wet grass areas or the blade guard might clog and result in an uneven edge. If the blade guard becomes clogged, stop the edger, remove the battery, and remove debris from the blade guard.



## 10 MAINTENANCE

### **i** IMPORTANT

Read and understand the safety regulations and the maintenance instructions before you clean, repair or do the maintenance work on the machine.

### **i** IMPORTANT

Make sure that all nuts, bolts and screws are tight. Examine regularly that you install the handles tightly.

### **i** IMPORTANT

Use only the replacement parts and accessories of the initial manufacturer.

### 10.1 GENERAL INFORMATION

### **i** IMPORTANT

Only your dealer or approved service center can do the maintenance that is not given in this manual.

Before the maintenance operations:

- Stop the machine.
- Remove the battery pack.
- Cool the motor.
- Store the machine in cool and dry place.
- Use correct clothing, protective gloves and safety glasses.

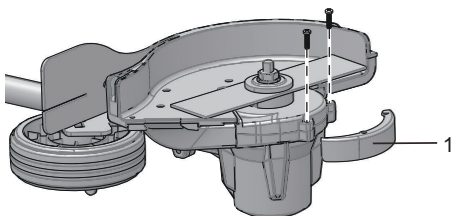
### 10.2 CLEAN THE MACHINE

- Clean the machine after use with a moist cloth dipped in neutral detergent.

- Do not use aggressive detergents or solvents to clean the plastic parts or handles.
- Keep the trimmer head free of grass, leaves, or excessive grease.
- Keep the air vents clean and free of debris to avoid overheating and damage to the motor or the battery.
- Do not spray water onto the motor and electrical components.

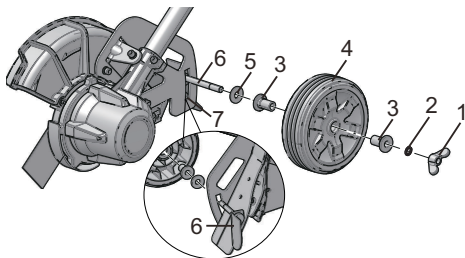
### 10.3 REPLACE THE SKID PLATE

1. Remove the screws with a Phillips Head screwdriver (not included).
2. Replace with the new skid plate (1).
3. Tighten the screws.

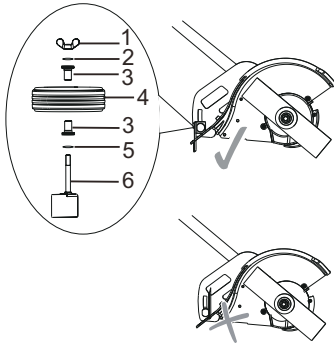


### 10.4 REPLACE THE WHEEL

1. Remove the battery.
2. Remove the wing nut (1), washer (2), axle sleeve (3), wheel (4), axle sleeve (3), rubber washer (5) and wheel axle (6) orderly from the wheel assembly.



3. Replace with the new wheel.
4. Insert the wheel axle (6) through the slot (7) downward, then put the rubber washer (5), axle sleeve (3), wheel (4), axle sleeve (3), washer (2) and wing nut (1) orderly through the wheel axle (6).



5. Tighten the wing nut (1).

## 11 TRANSPORTATION AND STORAGE

### ▲ WARNING

Remove the battery pack from the machine before transportation and storage.

### 11.1 MOVE THE MACHINE

When you move the machine, you must:

- Stop the machine.
- Remove the battery pack.

### 11.2 STORE THE MACHINE

- Remove the battery pack from the machine.
- Make sure that children cannot come near the machine.
- Keep the machine away from corrosive agents such as garden chemicals and de-icing salts.
- Secure the machine during transportation to prevent damage or injury. Clean and examine the machine for any damage.

## 12 TROUBLESHOOTING

Problem	Possible Cause	Solution
The machine does not start when you push the trigger.	No electrical contact between the machine and the battery pack.	1. Remove battery pack. 2. Check contact and install the battery pack again.
	The battery pack is depleted.	Charge the battery pack.
	The lock-out button and trigger are not pushed at the same time.	1. Pull the lock-out button and hold it. 2. Pull the trigger to start the machine.

Problem	Possible Cause	Solution
Edger stops during use.	Depth is set too low.	Adjust the depth as shown in the instruction manual.
	Walking too fast.	Do not force the edger through the grass.

## 13 TECHNICAL DATA

Type	Cordless, battery powered
Motor	60V Brushless
No load speed	7000 RPM
Blade length	8 in. (203 mm)
Weight (without battery pack)	10.47 lbs (4.75 kg)
Battery model	LB602, LB6025, LB603, LB604, LB605, LB606 and other BAC series
Charger model	CAC801, CH60DP01, 60DPC10A, CH60R00 and other CAC series

## 14 LIMITED WARRANTY



Greenworks hereby warrants this product, to the original purchaser with proof of purchase, for a period of four (4) years against defects in materials, parts or workmanship. Greenworks, at its own discretion will repair or replace any and all parts found to be defective, through normal use, free of charge to the customer. This warranty is valid only for units which have been used for personal use that have not been hired or rented for industrial/commercial use, and that have been maintained in accordance with the instructions in the owners' manual supplied with the product from new.

### ITEMS NOT COVERED BY WARRANTY:

1. Any part that has become inoperative due to misuse, commercial use, abuse, neglect, accident, improper maintenance, or alteration; or
2. The unit, if it has not been operated and/or maintained in accordance with the owner's manual; or
3. Normal wear, except as noted below;

- 4. Routine maintenance items such as lubricants, blade sharpening;
- 5. Normal deterioration of the exterior finish due to use or exposure.

**HELPLINE:**

Warranty service is available by calling our toll-free helpline, at 1-855-345-3934.

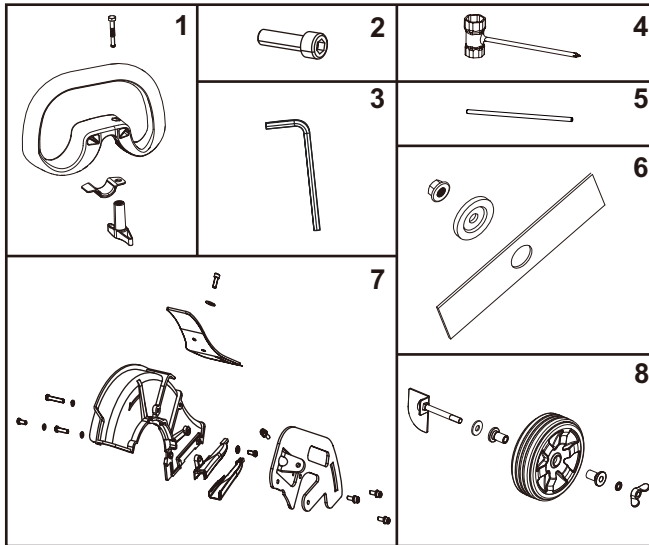
**TRANSPORTATION CHARGES:**

Transportation charges for the movement of any power equipment unit or attachment are the responsibility of the purchaser. It is the purchaser's responsibility to pay transportation charges for any part submitted for replacement under this warranty unless such return is requested in writing by Greenworks.

**USA address:**

Greenworks Tools  
P.O. Box 1238  
Mooresville, NC 28115

## 15 REPLACEMENT PARTS



No.	Part No.	Qty	Description	No.	Part No.	Qty	Description
1	R0201836-00	1	Auxiliary handle assembly	5	R0201933-00	1	Metal rod
2	R0201830-00	1	Hex screw	6	R0201066-00	1	Blade assembly
3	R0201770-00	1	Allen key	7	R0201934-00	1	Guard assembly
4	R0201932-00	1	Wrench	8	R0201067-00	1	Wheel assembly

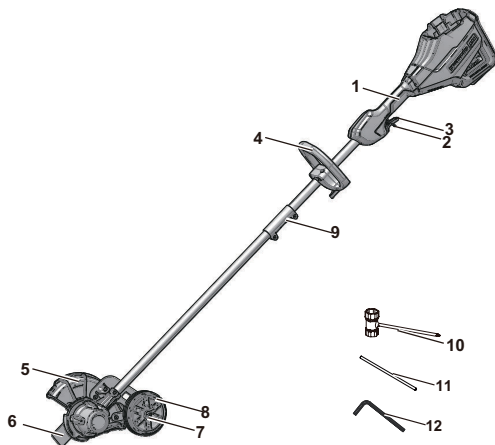
<b>1</b>	<b>Descripción.....</b>	<b>15</b>	<b>9</b>	<b>Funcionamiento.....</b>	<b>19</b>
1.1	Finalidad.....	15	9.1	Puesta en marcha de la máquina.....	19
1.2	Perspectiva general.....	15	9.2	Detención de la máquina.....	20
1.3	Lista de embalaje.....	15	9.3	Ajuste de la profundidad de corte.....	20
<b>2</b>	<b>Instrucciones importantes de seguridad.....</b>	<b>15</b>	9.4	Sustitución de la cuchilla.....	20
<b>3</b>	<b>Símbolos en la máquina.....</b>	<b>16</b>	9.5	Consejos de funcionamiento.....	21
<b>4</b>	<b>Niveles de riesgo.....</b>	<b>17</b>	<b>10</b>	<b>Mantenimiento.....</b>	<b>21</b>
<b>5</b>	<b>Servicio.....</b>	<b>17</b>	10.1	Información general.....	21
<b>6</b>	<b>Eliminación de batería segura para el medio ambiente.....</b>	<b>17</b>	10.2	Limpieza de la máquina.....	22
<b>7</b>	<b>Propuesta 65.....</b>	<b>18</b>	10.3	Sustitución de la placa de protección de bajos.....	22
<b>8</b>	<b>Instalación.....</b>	<b>18</b>	10.4	Sustitución de la rueda.....	22
8.1	Desembalaje de la máquina.....	18	<b>11</b>	<b>Transporte y almacenamiento.....</b>	<b>22</b>
8.2	Fijación del asa auxiliar.....	18	11.1	Traslado de la máquina.....	22
8.3	Montaje del eje.....	18	11.2	Almacenamiento de la máquina.....	22
8.4	Instalación de la batería.....	19	<b>12</b>	<b>Solución de problemas.....</b>	<b>23</b>
8.5	Retirada de la batería.....	19	<b>13</b>	<b>Datos técnicos.....</b>	<b>23</b>
			<b>14</b>	<b>Garantía limitada.....</b>	<b>23</b>
			<b>15</b>	<b>Piezas de repuesto.....</b>	<b>24</b>

## 1 DESCRIPCIÓN

### 1.1 FINALIDAD

Esta bordeadora se utiliza para recortar y cortar alrededor del borde de calzadas, aceras y más. La bordeadora no se ha diseñado para cortar setos, arbustos, matorrales o flores.

### 1.2 PERSPECTIVA GENERAL



- |    |                                |
|----|--------------------------------|
| 1  | Asa posterior                  |
| 2  | Palanca de desbloqueo          |
| 3  | Gatillo                        |
| 4  | Asa auxiliar                   |
| 5  | Protección                     |
| 6  | Cuchilla                       |
| 7  | Mando de ajuste de profundidad |
| 8  | Rueda                          |
| 9  | Acoplamiento                   |
| 10 | Llave                          |
| 11 | Varilla metálica               |
| 12 | Llave allen                    |

### 1.3 LISTA DE EMBALAJE

- |   |                  |   |                     |
|---|------------------|---|---------------------|
| 1 | Bordeadora       | 4 | Llave               |
| 2 | Asa auxiliar     | 5 | Llave allen         |
| 3 | Varilla metálica | 6 | Manual del operador |

## 2 INSTRUCCIONES IMPORTANTES DE SEGURIDAD

**LEA TODAS LAS INSTRUCCIONES ANTES DEL USO (DE ESTA HERRAMIENTA ELÉCTRICA)**

### ▲ AVISO

**Debe leer y entender todas las instrucciones antes de utilizar este producto.** El incumplimiento de las instrucciones indicadas a continuación puede provocar descargas eléctricas, incendios o lesiones personales graves.

- Utilice únicamente accesorios y piezas de repuesto idénticos del fabricante. El uso de cualquier otra pieza puede generar un riesgo o producir daños en el producto.
- Lleve siempre gafas de seguridad con protectores laterales marcadas para cumplir la ANSI Z87.1. Las gafas normales solo tienen lentes resistentes a impactos. NO son gafas de seguridad. Si sigue esta regla reducirá el riesgo de lesiones oculares. Utilice máscara facial si trabaja en espacios de trabajo con polvo.
- Evite los entornos peligrosos – No exponga las herramientas eléctricas a condiciones de humedad. Si penetra agua en una herramienta eléctrica, aumentará el riesgo de descarga eléctrica.
- No utilice bajo la lluvia.
- Mantenga a todos los transeúntes, niños y mascotas al menos a 15 m.
- Lleve indumentaria adecuada – No lleve ropa ni joyas sueltas. Pueden quedar atrapadas en las piezas móviles. Se recomienda el uso de guantes de goma y calzado resistente cuando se trabaje en el exterior. Lleve una protección capilar para sujetar el cabello largo.
- Utilice el aparato adecuado. No utilice el aparato para trabajos distintos del previsto.
- Evite la puesta en marcha accidental – No transporte un aparato enchufado con el dedo sobre el interruptor. Asegúrese de que el interruptor esté desactivado al conectar la batería.
- No fuerce el aparato – Hará el trabajo mejor y con menos probabilidades de sufrir lesiones a la velocidad para la que se diseñó.
- No se estire – Mantenga en todo momento una postura adecuada y el equilibrio.
- Manténgase alerta – Observe lo que está haciendo. Utilice el sentido común. No utilice esta unidad cuando esté cansado, enfermo o bajo la influencia de alcohol, drogas o medicamentos.
- Almacene siempre las herramientas eléctricas inactivas en interior – Cuando no estén en uso, las herramientas eléctricas deben almacenarse en interior, en un lugar seco, fuera del alcance de los niños.
- Mantenga el aparato con cuidado – Sustituya el cabezal de hilo si está agrietado, astillado o dañado de alguna manera. Asegúrese de que el cabezal de hilo esté correctamente instalado y bien fijado. Mantenga el filo afilado y limpio para un mejor rendimiento y para reducir el riesgo de lesiones. Siga las instrucciones para la lubricación y el cambio de accesorios. Inspeccione periódicamente el cable del aparato, y si está dañado, haga que lo repare un centro de servicio técnico autorizado. Inspeccione periódicamente los cables alargadores y sustitúyalos si están dañados. Mantenga las

asas secas, limpias y sin restos de aceite y grasa. De no hacerlo podrían producirse lesiones graves.

- Compruebe las piezas dañadas antes de utilizar el aparato, una protección u otra pieza dañada debe comprobarse detenidamente para determinar si funcionará correctamente y cumplirá su función prevista. Compruebe la alineación de las piezas móviles, la unión de las partes móviles, la rotura de piezas, los montajes dañados y cualquier otra condición que pueda afectar a su funcionamiento. Una protección u otra pieza que esté dañada debe ser reparada o sustituida debidamente por un centro de servicio autorizado, a menos que se indique lo contrario en este manual.
- No cargue el aparato bajo la lluvia o en lugares húmedos.
- Retire o desconecte la batería antes de reparar, limpiar o retirar material del aparato de jardinería.
- Utilice los aparatos únicamente con las baterías designadas específicamente. El uso de cualquier otra batería puede dar lugar a un riesgo de lesiones e incendio.
- Recargue solo con el cargador especificado por el fabricante. Un cargador adecuado para un tipo de batería puede dar lugar a un riesgo de incendio cuando se usa con otra batería.
- Utilice únicamente con la batería Greenworks LB602, LB6025, LB603, LB604, LB605, LB606 u otra serie BAC.
- Utilice únicamente con el cargador Greenworks CAC801, CH60DP01, 60DPC10A, CH60R00 u otra serie CAC.
- Cuando la batería no esté en uso, manténgala alejada de otros objetos metálicos como clips, monedas, llaves, clavos, tornillos u otros objetos metálicos pequeños que puedan hacer una conexión entre los terminales. El cortocircuito de los terminales de la batería puede provocar un incendio.
- Bajo condiciones abusivas, es posible que salga líquido despedido de la batería; evite el contacto. Si se produce un contacto accidental, aclare con agua. Si el líquido entra en contacto con los ojos, acuda también al médico. El líquido despedido de la batería puede provocar irritación o quemaduras.
- No utilice una batería o un aparato que haya sufrido daños o modificaciones. Las baterías dañadas o modificadas pueden exhibir un comportamiento impredecible que puede dar lugar a un incendio, una explosión o un riesgo de lesiones.
- No exponga una batería o un aparato al fuego ni a temperaturas excesivas. La exposición al fuego o a una temperatura superior a 265 °F (130 °C) puede provocar una explosión.
- No deseche las baterías en el fuego. Las celdas pueden explotar. Compruebe los códigos locales para conocer las posibles instrucciones especiales de eliminación.
- No abra ni desguace las baterías. El electrolito liberado es corrosivo y puede producir daños a los ojos o a la piel. Puede ser tóxico en caso de ingestión.
- Tenga cuidado al manipular las baterías para no cortocircuitarlas con materiales conductores como anillos,

pulseras y llaves. La batería o el conductor puede sobrecalentarse y producir quemaduras.

- Siga todas las instrucciones de carga y no cargue la batería o el aparato fuera del intervalo de temperatura especificado en las instrucciones. La carga incorrecta o a temperaturas fuera del intervalo especificado puede dañar la batería y aumentar el riesgo de incendio.
- Desconecte la batería del aparato antes de realizar ajustes, cambiar accesorios o almacenarlo. Estas medidas de seguridad preventivas reducen el riesgo de que el aparato se ponga en marcha accidentalmente.
- Solicite a un técnico de reparación cualificado que realice las tareas de servicio utilizando únicamente piezas de repuesto idénticas. Esto garantizará el mantenimiento de la seguridad del producto.
- Mantenga las protecciones en su posición y en estado de funcionamiento.
- Mantenga las manos y los pies alejados de la zona de corte.
- Mantenga las cuchillas afiladas.

### El intervalo de temperatura ambiente recomendado:

Elemento	Temperatura
Intervalo de temperatura de almacenamiento de la bordeadora	32°F (0°C) - 113°F (45°C)
Intervalo de temperatura de funcionamiento de la bordeadora	32°F (0°C) - 113°F (45°C)
Intervalo de temperatura de carga de la batería	39°F (4°C) - 104°F (40°C)
Intervalo de temperatura de funcionamiento del cargador	39°F (4°C) - 104°F (40°C)
Intervalo de temperatura de almacenamiento de la batería	32°F (0°C) - 113°F (45°C)
Intervalo de temperatura de descarga de la batería	32°F (0°C) - 113°F (45°C)









### CONSERVE ESTAS INSTRUCCIONES

## 3 SÍMBOLOS EN LA MÁQUINA

En esta máquina pueden utilizarse algunos de los siguientes símbolos. Le rogamos que los estudie y aprenda sus definiciones. La interpretación correcta de estos símbolos le permitirá manejar la herramienta mejor y de manera más segura.




Símbolo	Explicación
V	Tensión
A	Corriente
Hz	Frecuencia (ciclos por segundo)
W	Potencia



Símbolo	Explicación
min	Tiempo
/min	Revoluciones, carreras, velocidad de superficie, órbitas, etc., por minuto
	Corriente continua
	Precauciones que afectan a su seguridad.
	Debe leer y entender todas las instrucciones antes de manejar la máquina, así como seguir todas las advertencias e instrucciones de seguridad.
	Lleve siempre gafas de seguridad con protectores laterales marcada para cumplir la ANSI Z87.1 cuando utilice esta máquina.
	No exponga la máquina a la lluvia o a condiciones de humedad.
	Mantenga a los transeúntes al menos a 15 m.
	Los objetos proyectados pueden rebotar y provocar lesiones personales o daños materiales.
	Peligro - Mantenga las manos y los pies alejados de la cuchilla.

## 4 NIVELES DE RIESGO

Las siguientes indicaciones y significados tienen como fin explicar los niveles de riesgo asociados a este producto.

SÍMBOLO	INDICACIÓN	SIGNIFICADO
	PELIGRO	Indica una situación de peligro inminente que, de no evitarse, provocará lesiones graves o incluso la muerte.
	ADVERTENCIA	Indica una situación de peligro potencial que, de no evitarse, podría provocar lesiones graves o incluso la muerte.
	PRECAUCIÓN	Indica una situación de peligro potencial que, de no evitarse, puede provocar lesiones leves o moderadas.
	PRECAUCIÓN	(Sin símbolo de alerta sobre seguridad) Indica una situación que puede provocar daños materiales.

## 5 SERVICIO

Las tareas de servicio exigen un cuidado extremo así como conocimientos y deben ser realizadas únicamente por un técnico de servicio cualificado. Para cuestiones de servicio, le recomendamos que devuelva la máquina al CENTRO DE SERVICIO AUTORIZADO más cercano para su reparación. Utilice únicamente accesorios y piezas de repuesto idénticos del fabricante.

## 6 ELIMINACIÓN DE BATERÍA SEGURA PARA EL MEDIO AMBIENTE



Los materiales tóxicos y corrosivos que figuran a continuación se encuentran en las baterías utilizadas en esta máquina: **Ion de litio, un material tóxico.**

### ▲ AVISO

Deseche todos los materiales tóxicos de una manera especificada para evitar la contaminación del medio ambiente. Antes de desechar una batería de ion de litio dañada o agotada, contacte con la agencia local de eliminación de residuos o con la agencia de protección ambiental local para obtener información e instrucciones específicas. Lleve las baterías a un centro de reciclaje o eliminación local, certificado para la eliminación de ion de litio.

## ▲ AVISO

Si la batería se agrieta o se rompe, con o sin fugas, no la recargue ni la utilice. Deséchela y sustitúyala por una batería nueva. ¡NO INTENTE REPARARLA! Para evitar lesiones y riesgos de incendio, explosión o descarga eléctrica, y para evitar daños al medio ambiente:

- Cubra los terminales de la batería con cinta adhesiva resistente.
- NO intente retirar o destruir ninguno de los componentes de la batería.
- NO intente abrir la batería.
- Si se produce una fuga, los electrolitos liberados son corrosivos y tóxicos. NO deje que la solución entre en contacto con los ojos o la piel, y no la ingiera.
- NO deseche estas baterías con la basura doméstica normal.
- NO incinere.
- NO lleve las baterías a lugares donde formarán parte de vertederos de residuos o flujos de residuos sólidos urbanos.
- Llévelas a un centro de reciclaje o eliminación certificado.

## 7 PROPUESTA 65

## ▲ AVISO

Este producto contiene una sustancia química conocida en el estado de California como causante de cáncer, defectos de nacimiento u otros daños reproductivos. El polvo generado por el lijado eléctrico, el serrado, el esmerilado, la perforación y otras actividades de construcción contiene sustancias químicas que se sabe que son causantes de cáncer, defectos de nacimiento u otros daños reproductivos. Algunos ejemplos de estas sustancias químicas son:

- Plomo de pinturas con base de plomo;
- Sílice cristalina de ladrillos y cemento y otros productos de albañilería;
- Arsénico y cromo de la madera tratada químicamente.

El riesgo de exposición a estas sustancias químicas varía según la frecuencia con la que realice este tipo de trabajo. Para reducir su exposición a estas sustancias químicas, trabaje en una zona bien ventilada y trabaje con equipos de seguridad aprobados, como máscaras antipolvo, que estén especialmente diseñadas para filtrar partículas microscópicas.

## 8 INSTALACIÓN

## 8.1 DESEMBALAJE DE LA MÁQUINA

## ▲ AVISO

Asegúrese de montar correctamente la máquina antes del uso.

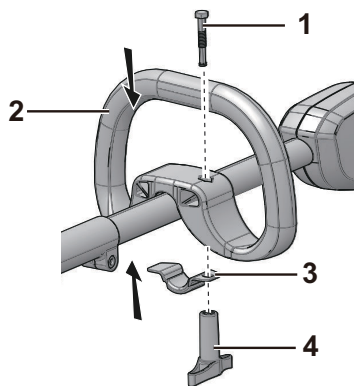
## ▲ AVISO

- Si las piezas de la máquina presentan daños, no utilice la máquina.
- Si no tiene todas las piezas, no utilice la máquina.
- Si faltan piezas o hay piezas dañadas, contacte con el centro de servicio.

1. Abra el embalaje.
2. Lea la documentación que se encuentra en la caja.
3. Retire todas las piezas sin montar de la caja.
4. Retire la máquina de la caja.
5. Deseche la caja y el embalaje de conformidad con los reglamentos locales.

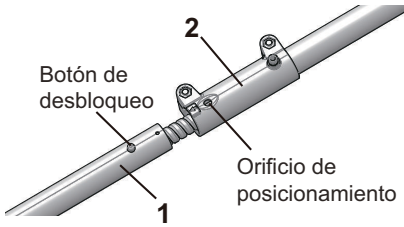
## 8.2 FIJACIÓN DEL ASA AUXILIAR

1. Retire el mando del asa.
2. Fije el asa auxiliar (2) y la abrazadera inferior (3) en el eje.
3. Sitúe el asa auxiliar en una posición cómoda.
4. Introduzca el perno (1) por el orificio.
5. Apriete el asa auxiliar con el mando (4).

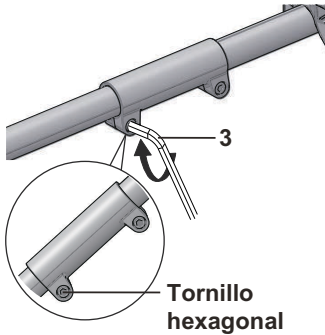


## 8.3 MONTAJE DEL EJE

1. Afloje el tornillo del acoplamiento (2).
2. Pulse el botón de desbloqueo del eje inferior (1).
3. Alinee el botón de desbloqueo con el orificio de posicionamiento y deslice los dos ejes juntos.



4. Gire el eje inferior hasta que el botón se bloquee en el orificio de posicionamiento.
5. Apriete el tornillo con la llave hexagonal (3).

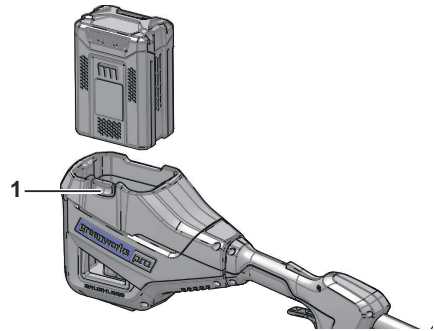


## 8.4 INSTALACIÓN DE LA BATERÍA

### ▲ AVISO

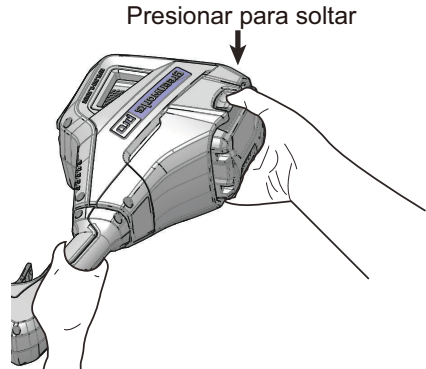
- Si la batería o el cargador ha sufrido daños, sustituya la batería o el cargador.
- Detenga la máquina y espere hasta que el motor se pare antes de instalar o retirar la batería.
- Debe leer y entender las instrucciones del manual de la batería y el cargador.

1. Alinee las nervaduras de elevación de la batería con las ranuras del compartimento de la batería.
2. Introduzca la batería en el compartimento de la batería hasta que encaje en su posición.
3. Cuando escuche un clic, la batería está instalada.



## 8.5 RETIRADA DE LA BATERÍA

1. Pulse y mantenga pulsado el botón de desbloqueo de la batería (1).
2. Retire la batería de la máquina.



## 9 FUNCIONAMIENTO

### i IMPORTANTE

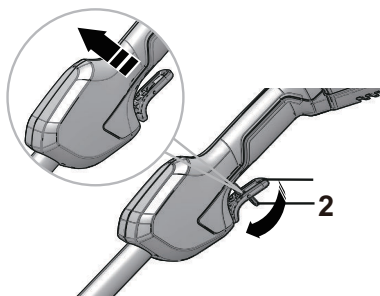
Antes de utilizar la máquina, debe leer y entender las normas de seguridad y las instrucciones de funcionamiento.

### ▲ AVISO

Tenga cuidado cuando utilice la máquina.

## 9.1 PUESTA EN MARCHA DE LA MÁQUINA

1. Empuje hacia delante la palanca de desbloqueo (2) y apriete el gatillo (1).

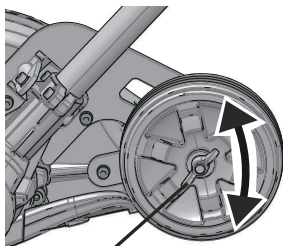


## 9.2 DETENCIÓN DE LA MÁQUINA

1. Suelte el gatillo para detener la máquina.

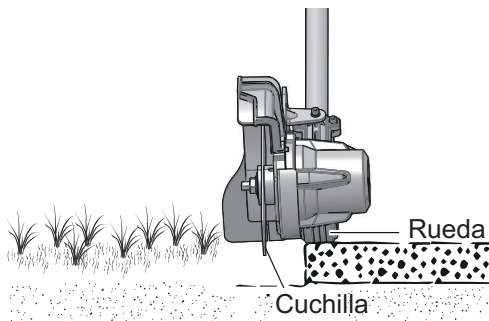
## 9.3 AJUSTE DE LA PROFUNDIDAD DE CORTE

1. Retire la batería.
2. Afloje el mando de ajuste de profundidad para aumentar o disminuir la profundidad.



Mando de ajuste de profundidad

3. Ajuste la profundidad de modo que la cuchilla apenas toque el suelo cuando la máquina se mantiene en una posición de funcionamiento normal.
4. Apriete el mando de ajuste de profundidad.
5. De pie en una posición de trabajo normal, compruebe nuevamente la profundidad de corte y corríjala en caso necesario.
6. Vuelva a colocar la batería una vez que todos los ajustes hayan finalizado.

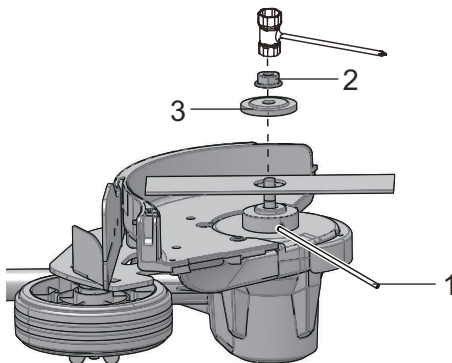


## 9.4 SUSTITUCIÓN DE LA CUCHILLA

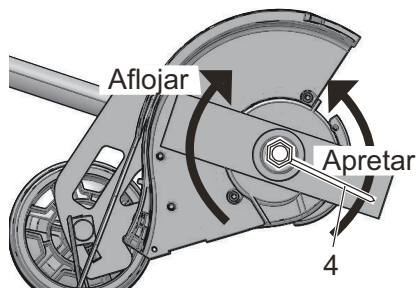
### ¡ NOTA

Si la cuchilla está desgastada, sustitúyala por una nueva (no incluida).

1. Utilice una varilla metálica (1) para fijar la cuchilla.
2. Retire la tuerca (2) girándola en sentido horario con la llave (4) suministrada.
3. Retire la arandela (3).



4. Retire la cuchilla usada y sustitúyala por una nueva.
5. Coloque la arandela sobre la cuchilla.
6. Coloque la tuerca en la arandela y apriétela en sentido antihorario con la llave suministrada.



## 9.5 CONSEJOS DE FUNCIONAMIENTO

### ▲ AVISO

Mantenga siempre la bordeadora alejada del cuerpo manteniendo un espacio entre su cuerpo y la bordeadora. Cualquier contacto con el cabezal de corte de la bordeadora durante el funcionamiento puede provocar lesiones personales graves.

- Sujete la bordeadora con la mano derecha en el asa posterior y la mano izquierda en el asa delantera.
- Mantenga un agarre firme con ambas manos durante el funcionamiento.
- La bordeadora debe mantenerse en una posición cómoda con el asa posterior a la altura de la cadera.
- La bordeadora cortará los bordes a lo largo de aceras, calzadas, macizos de flores, bordillos y zonas similares.
- Corte a un ritmo uniforme. Si la cuchilla empieza a atascarse, está bordeando demasiado rápido; raléntice su ritmo. No fuerce la cuchilla en el suelo.
- El contacto ligero de la cuchilla contra el borde de la acera, el bordillo, etc., es aceptable y no dañará la bordeadora.
- La mejor apariencia se obtiene cuando la hierba está seca. Evite bordear en el suelo húmedo o en zonas húmedas de césped, ya que la protección de la cuchilla podría obstruirse y producir un borde desigual. Si el protector de la cuchilla se obstruye, detenga la bordeadora, retire la batería y retire los residuos del protector de la cuchilla.



## 10 MANTENIMIENTO

### i IMPORTANTE

Debe leer y entender los reglamentos de seguridad y las instrucciones de mantenimiento antes de limpiar, reparar o realizar tareas de mantenimiento en la máquina.

### i IMPORTANTE

Asegúrese de que todas las tuercas, los pernos y los tornillos estén apretados. Examine periódicamente que las asas estén bien instaladas.

### i IMPORTANTE

Utilice únicamente las piezas de repuesto y los accesorios del fabricante original.

## 10.1 INFORMACIÓN GENERAL

### i IMPORTANTE

Únicamente un distribuidor o un centro de servicio autorizado puede realizar el mantenimiento que no se indica en este manual.

Antes de las operaciones de mantenimiento:

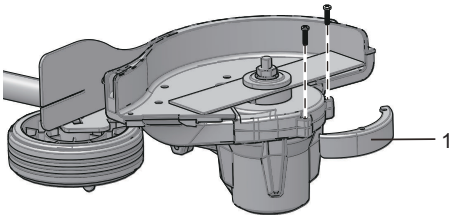
- Detenga la máquina.
- Retire la batería.
- Deje que se enfríe el motor.
- Almacene la máquina en un lugar fresco y seco.
- Utilice ropa adecuada, guantes protectores y gafas de seguridad.

## 10.2 LIMPIEZA DE LA MÁQUINA

- Limpie la máquina después de utilizarla con un paño húmedo humedecido en detergente neutro.
- No utilice detergentes o disolventes agresivos para limpiar las piezas de plástico o las asas.
- Mantenga el cabezal de corte libre de hierba, hojas o grasa excesiva.
- Mantenga los respiraderos limpios y libres de residuos para evitar el sobrecalentamiento y daños al motor o la batería.
- No pulverice agua sobre el motor ni los componentes eléctricos.

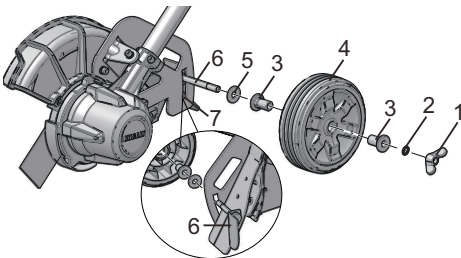
## 10.3 SUSTITUCIÓN DE LA PLACA DE PROTECCIÓN DE BAJOS

1. Retire los tornillos con un destornillador Phillips (no incluido).
2. Sustituya por una nueva placa de protección de bajos (1).
3. Apriete los tornillos.



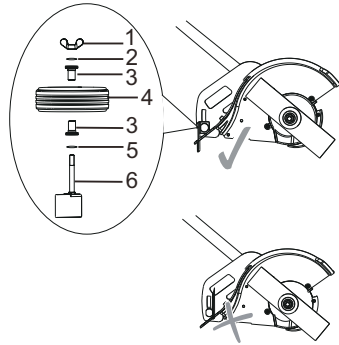
## 10.4 SUSTITUCIÓN DE LA RUEDA

1. Retire la batería.
2. Retire la tuerca de mariposa (1), la arandela (2), el manguito del eje (3), la rueda (4), el manguito del eje (3), la arandela de goma (5) y el eje de la rueda (6) en orden del conjunto de la rueda.



3. Sustituya por una rueda nueva.

4. Inserte el eje de la rueda (6) a través de la ranura (7) hacia abajo, a continuación, coloque la arandela de goma (5), el manguito del eje (3), la rueda (4), el manguito del eje (3), la arandela (2) y la tuerca de mariposa (1) en orden a través del eje de la rueda (6).



5. Apriete con la tuerca de mariposa (1).

## 11 TRANSPORTE Y ALMACENAMIENTO

### ▲ AVISO

Retire la batería de la máquina antes del transporte y el almacenamiento.

### 11.1 TRASLADO DE LA MÁQUINA

Cuando mueva la máquina debe:

- Detener la máquina.
- Retirar la batería.

### 11.2 ALMACENAMIENTO DE LA MÁQUINA

- Retire la batería de la máquina.
- Asegúrese de que los niños no puedan acercarse a la máquina.
- Mantenga la máquina alejada de agentes corrosivos, como sustancias químicas para jardín y sales para descongelación.
- Fije la máquina durante el transporte para evitar daños o lesiones. Limpie y examine si hay daños en la máquina.

## 12 SOLUCIÓN DE PROBLEMAS

Problema	Posible causa	Solución
La máquina no se pone en marcha cuando aprieta el gatillo.	No hay contacto eléctrico entre la máquina y la batería.	1. Retire la batería.  2. Compruebe el contacto e instale de nuevo la batería.
	La batería se ha agotado.	Cargue la batería.
	El botón de desbloqueo y el gatillo no se presionan al mismo tiempo.	1. Apriete el botón de desbloqueo y sujételo.  2. Apriete el gatillo para poner en marcha la máquina.
La bordeadora se detiene durante el uso.	La profundidad es demasiado baja.	Ajuste la profundidad como se muestra en el manual de instrucciones.
	Camina demasiado rápido.	No fuerce la bordeadora por la hierba.

## 13 DATOS TÉCNICOS

Tipo	Inalámbrico, con funcionamiento a batería
Motor	60V Sin escobillas
Velocidad sin carga	7000 RPM
Longitud de cuchilla	8 in. (203 mm)
Peso (sin batería)	10.47 lbs (4.75 kg)
Modelo de batería	LB602, LB6025, LB603, LB604, LB605, LB606 y otras series BAC
Modelo de cargador	CAC801, CH60DP01, 60DPC10A, CH60R00 y otras series CAC

## 14 GARANTÍA LIMITADA



Por la presente Greenworks garantiza este producto, al comprador original con el comprobante de compra, durante un periodo de cuatro (4) años frente a defectos en materiales, piezas o mano de obra. A su entera discreción Greenworks

reparará o sustituirá cualquiera y todas las piezas que resulten ser defectuosas, con un uso normal, sin coste alguno para el cliente. Esta garantía es válida únicamente para unidades que se hayan utilizado para uso personal que no han sido arrendadas o alquiladas para uso industrial/comercial y cuyo mantenimiento se ha realizado de acuerdo con las instrucciones del manual del propietario suministrado con el producto nuevo.

### ARTÍCULOS NO CUBIERTOS POR LA GARANTÍA:

1. Cualquier pieza que no funcione debido a mal uso, uso comercial, abuso, negligencia, accidente, mantenimiento inadecuado o alteración; o
2. La unidad, si no ha sido utilizada o mantenida de acuerdo con el manual del propietario; o
3. Desgaste normal, excepto en lo indicado a continuación;
4. Artículos de mantenimiento de rutina tales como lubricantes, afilado de cuchillas;
5. Deterioro normal del acabado exterior debido al uso o la exposición.

### LÍNEA DE ASISTENCIA TELEFÓNICA:

Puede contactar con el servicio de garantía llamando a nuestra línea de asistencia telefónica gratuita, a 1-855-345-3934.

### COSTES DE TRANSPORTE:

Los costes de transporte por el desplazamiento de cualquier unidad o accesorio de equipos eléctricos son responsabilidad del comprador. Es responsabilidad del comprador pagar los costes de transporte de cualquier pieza enviada para su sustitución bajo esta garantía, a menos que dicha devolución sea solicitada por escrito por Greenworks.

### Dirección en EE.UU.:

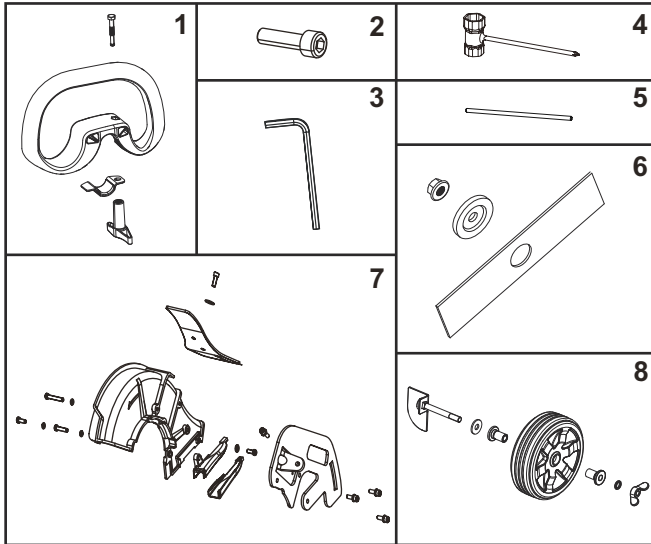
Greenworks Tools

P.O. Box 1238

Mooresville, NC 28115

## 15 PIEZAS DE REPUESTO

ES



Nº	Nº pieza	Ca nt.	Descripción	Nº	Nº pieza	Ca nt.	Descripción
1	R0201836-00	1	Conjunto de asa auxiliar	5	R0201933-00	1	Varilla metálica
2	R0201830-00	1	Tornillo hexagonal	6	R0201066-00	1	Conjunto de cuchilla
3	R0201770-00	1	Llave Allen	7	R0201934-00	1	Conjunto de protección
4	R0201932-00	1	Llave	8	R0201067-00	1	Conjunto de rueda