
greenworks **pro**

80V 10" BRUSHLESS POLESAW

GLPS80000



Owner's Manual

TOLL-FREE HELPLINE: 1-855-345-3934

www.greenworkstools.com/80v-pro

⚠ Read all safety rules and instructions carefully before operating this tool.

CONTENTS

Contents	2
Product Specifications	2
Safety Rules	3
Symbols	7
Know Your Polesaw	9
Assembly	10
Operation	13
Battery & Charger Maintenance	19
Maintenance	21
Environmentally Safe Battery Disposal	27
Troubleshooting	28
Warranty	29
Exploded View	30
Part List	31

PRODUCT SPECIFICATIONS

80V 10" BRUSHLESS POLESAW

Type	Cordless
Voltage	80V Lithium-Ion
Motor	Brushless
Bar Length	10" (254 mm)
Charge Time	30 Minutes
Chain Pitch	1/4" (6.3 mm)
Chain Type	25AP058X (Oregon)
Guide Bar Type	100SDAA041(Oregon)
Oil Tank Capacity	80ml
Unit Weight (With 2Ah Battery)	12.8 lbs (5.8 kg)
Unit Weight (Without 2Ah Battery)	9.57 lbs (4.34 kg)



SAFETY RULES

▲ W A R N I N G

Read and understand all instructions before using this product. Failure to follow all instructions listed below may result in electric shock, fire, and/or serious personal injury.

WORK AREA SAFETY

- **Keep work area clean and well lit.** Cluttered or dark areas invite accidents.
- **Do not operate polesaw in explosive atmospheres, such as in the presence of flammable liquids, gases, or dust.** Polesaws create sparks which may ignite the dust or fumes.
- **Keep all children, bystanders, visitors, and animals out of the work area while starting or cutting with the polesaw.** Distractions can cause you to lose control.

ELECTRICAL SAFETY

- **Avoid body contact with earthed or grounded surfaces such as pipes, radiators, ranges and refrigerators.** There is an increased risk of electric shock if your body is earthed or grounded.
- **Do not expose the polesaw to rain or wet locations. Water entering a polesaw will increase the risk of electric shock.**
- **Do not operate near electrical power lines. The unit has not been designed to provide protection from electric shock in the event of contact with overhead electric lines.** Consult local regulations for safe distances from overhead electric power lines and ensure that the operating position is safe and secure before operating the polesaw.”

PERSONAL SAFETY

- **Stay alert, watch what you are doing and use common sense when operating a polesaw. Do not use a polesaw while you are tired or under the influence of drugs, alcohol or medication.** A moment of inattention while operating polesaws may result in serious personal injury.
- **Use safety equipment. Always wear eye protection.** Safety equipment such as dust mask, non-skid safety shoes, hard hat, or hearing protection used for appropriate conditions will reduce personal injuries.
- **Avoid accidental starting. Ensure the switch is in the off-position before plugging in.** Carrying power tools with your finger on the switch or plugging in power tools that have the switch on invites accidents.
- **Remove any adjusting key or wrench before turning the power tool on.** A wrench or a key left attached to a rotating part of the polesaw may result in personal injury.
- **Do not overreach. Keep proper footing and balance at all times.** This enables better control of the polesaw in unexpected situation.
- **Dress properly. Do not wear loose clothing or jewellery. Keep your hair, clothing and gloves away from moving parts.** Loose clothes, jewellery or long hair can be caught in moving parts.
- **If devices are provided for the connection of dust extraction and collection facilities, ensure these are connected and properly used.** Use of these devices can reduce dust-related hazards.

SERVICE

- **Servicing requires extreme care and knowledge and should be performed only by a qualified service technician.** For service we suggest you return the product to your nearest AUTHORIZED SERVICE CENTER for repair. When servicing, use only identical replacement parts.

SAFETY RULES

POLESAW USE AND CARE

- **Do not force the polesaw. Use the correct polesaw for your application.** The correct polesaw will do the job better and safer at the rate for which it was designed.
- **Do not use the polesaw if the switch does not turn it on and off.** Any polesaw that cannot be controlled with the switch is dangerous and must be repaired.
- **Disconnect the tool from the battery before making any adjustments changing accessories, or storing polesaws.** Such preventive safety measures reduce the risk of starting the polesaw accidentally.
- **Store idle polesaws out of the reach of children and do not allow persons unfamiliar with the polesaw or these instructions to operate the polesaw.** Polesaws are dangerous in the hands of untrained users.
- **Maintain polesaws.** Check for misalignment or binding of moving parts, breakage of parts and any other condition that may affect the polesaw's operation. If damaged, have the polesaw repaired before use. Many accidents are caused by poorly maintained polesaws.
- **Keep cutting tools sharp and clean. Properly maintained cutting tools with sharp cutting edges are less likely to bind and are easier to control.**
- **Use the polesaw, accessories and tool bits etc. in accordance with these instructions, taking into account the working conditions and the work to be performed.** Use of the polesaw for operations different from those intended could result in a hazardous situation.

BATTERY USE AND CARE

- **Ensure the switch is in the off position before inserting battery pack.**
- **Recharge only with the charger specified by the manufacturer.** A charger that is suitable for one type of battery pack may create a risk of fire when used with another battery pack.
- **Use power tools only with specifically designated battery packs.** Use of any other battery packs may create a risk of injury and fire.
- **When battery pack is not in use, keep it away from other metal objects, like paper clips, coins, keys, nails, screws, or other small metal objects, that can make a connection from one terminal to another.** Shorting the battery terminals together may cause burns or a fire.
- **Under abusive conditions, liquid may be ejected from the battery; avoid contact. If contact accidentally occurs, flush with water.** If liquid contacts eyes, additionally seek medical help. Liquid ejected from the battery may cause irritation or burns.

SPECIFIC SAFETY WARNINGS

- **Keep all parts of the body away from the saw chain. Make sure the switch is off when clearing jammed material. Saw chain continues to move after the switch is turned off.** A moment of inattention while operating the polesaw may result in serious personal injury.
- **Carry the polesaw by the handle with the saw chain stopped.** When transporting or storing the polesaw, always fit the saw chain device cover. Proper handling of the polesaw will reduce possible personal injury from the saw chain.
- **Hold the polesaw by insulated gripping surfaces only, because the saw chain may contact hidden wiring or its own cord.** A saw chain contacting a "live" wire may make exposed metal parts of the polesaw "live" and could give the operator an electric shock.
- **Keep cable away from cutting area. During operation the cable may be hidden in shrubs and can be accidentally cut by the saw chain.**
- **Do not use the polesaw in bad weather conditions, especially when there is a risk of lightning. This decreases the risk of being struck by lightning.**

SAFETY RULES

- **To reduce the risk of electrocution, never use near any electrical power lines.** Contact with or use near power lines may cause serious injury or electric shock resulting in death.
- **Always use two hands when operating the polesaw.**
- **Always use head protection when operating the polesaw overhead. Falling debris can result in serious personal injury.**
- **Contact of the guide-bar tip with any object should be avoided.**
- **Tip contact may cause the guide bar to move suddenly upward and backward, which may cause serious injury.**
- **Wear safety glasses and hearing protection. Further protective equipment for head, hands, legs and feet is recommended.** Adequate protective clothing will reduce personal injury by flying debris or accidental contact with the saw chain.
- **Do not operate a polesaw in a tree.** Operation of a polesaw while up in a tree may result in personal injury.
- **Always keep proper footing and operate the polesaw only when standing on fixed, secure and level surface.** Slippery or unstable surfaces such as ladders may cause a loss of balance or control of the polesaw.
- **When cutting a limb that is under tension be alert for spring back.** When the tension in the wood fibers are released the spring loaded limb may strike the operator and/or throw the polesaw out of control.
- **Use extreme caution when cutting brush and saplings.** The slender material may catch the saw chain and be whipped toward you or pull you off balance.
- **Carry the polesaw with one hand on the rear handle and one on the shaft, with the polesaw switched off and away from your body.** Proper handling of the polesaw will reduce the likelihood of accidental contact with the moving saw chain.
- **Follow instructions for lubricating, chain tensioning and changing accessories.** Improperly tensioned or lubricated chain may either break or increase the chance for kickback.
- **Keep handles dry, clean, and free from oil and grease. Greasy, oily handles can cause the user to lose control of the polesaw.**
- **Cut wood only. Do not use polesaw for purposes not intended.** For example: do not use polesaw for cutting plastic, masonry or non-wood building materials. Use of the polesaw for operations different than intended could result in a hazardous situation.

SAFETY RULES

⚠ WARNING (PROPOSITION 65)

Some dust created by power sanding, sawing, grinding, drilling, and other construction activities contains chemicals known to cause cancer, birth defects or other reproductive harm. Some examples of these chemicals are:

- Lead from lead-based paints
- Crystalline silica from bricks and cement and other masonry products, and
- Arsenic and chromium from chemically treated lumber.

Your risk of exposure to these chemicals varies depending on how often you do this type of work. To reduce your exposure to these chemicals, work in a well-ventilated area, and work with approved safety equipment, such as dust masks that are specially designed to filter out microscopic particles.

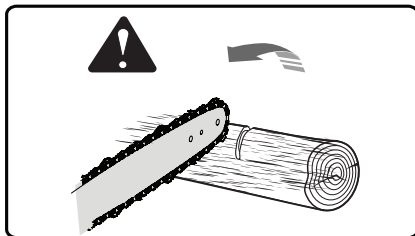
CHILD SAFETY

Tragic accidents can occur if the operator is not aware of the presence of children.

- Keep children out of the working area and under the watchful care of a responsible adult.
- Do not allow children under the age of 14 to operate this polesaw. Children who are 14 years of age and older must read and understand the operating instructions and safety rules in this manual and must be trained and supervised by a parent.
- Stay alert, and turn the polesaw off if a child or any other person enters the working area.
- Use extreme care when approaching blind corners, doorways, shrubs, trees, or other objects that may obscure your view of a child who may run into the path of the polesaw.

KICKBACK

Kickback may occur when the moving chain contacts an object at the upper portion of the tip of the guide bar or when the wood closes in and pinches the saw chain in the cut. Contact at the upper portion of the tip of the guide bar can cause the chain to dig into the object and stop the chain for an instant. The result is a lightning fast reverse reaction which kicks the guide bar up and back toward the operator. If the saw chain is pinched along the top of the guide bar, the guide bar can be driven rapidly back toward the operator. Either of these reactions can cause loss of saw control which can result in serious injury. Do not rely exclusively upon the safety devices built into the saw. As a polesaw user, you should take several steps to keep your cutting jobs free from accident or injury.
















CAUSES AND OPERATOR PREVENTION OF KICKBACK

- **Maintain a firm grip, with thumbs and fingers encircling the polesaw handles, with both hands on the saw and position your body and arm to allow you to resist kickback forces.** Kickback forces can be controlled by the operator, if proper precautions are taken. Do not let go of the polesaw.
 - **Only use replacement bars and chains specified by the manufacturer.** Incorrect replacement bars and chains may cause chain breakage and/or kickback.
 - **Follow the manufacturer's sharpening and maintenance instructions for the saw chain.** Decreasing the depth gauge height can lead to increased kickback.
 - **Push and Pull** — This reaction force is always opposite to the direction the chain is moving where contact is made with the wood. Thus, the operator must be ready to control the **PULL** when cutting on the bottom edge of the bar, and the **PUSH** when cutting along the top edge.
-




SYMBOLS

Some of the following symbols may be used on this product. Please study them and learn their meaning. Proper interpretation of these symbols will allow you to operate the product better and safer.

SYMBOLS	DESIGNATION	EXPLANATION
V	Volts	Voltage
A	Amperes	Current
Hz	Hertz	Frequency (cycles per second)
W	Watts	Power
hrs	Hours	Time
n_0	No Load Speed	Rotational speed, at no load
/min	Per Minute	Revolutions, strokes, surface speed, orbits etc., per minute
	Lithium-ion Battery Recycling	Designates that this tool is in compliance with lithium-ion battery recycling program requirements
	Safety Alert Symbol	Precautions that involve your safety
	Read the Instruction Manual	To reduce the risk of injury, user must read and understand the Instruction manual before using this product
	Eye Protection	Wear eye protection when operating this equipment
	Hearing Protection	Wear hearing protection when operating this equipment
	Gloves	Wear non-slip, heavy-duty protective gloves when handling the polesaw and the blade
	Safety Footwear	Wear non-slip safety footwear when using this equipment
	Kickback	DANGER! Beware of kickback
	Operate With Two Hands	Hold and operate the saw properly with both hands
	One Handed	Do not operate the saw using only one hand
	Risk of Electrocution	DANGER! Risk of electrocution!
	Keep Bystanders Away	Keep all bystanders at least 50' (15 m) away
	Eye and Head Protection	Wear eye and head protection when operating this equipment

SYMBOLS

The following signal words and meanings are intended to explain the levels of risk associated with this product.

SYMBOL	SIGNAL	MEANING
	DANGER	Indicates an imminently hazardous situation, which, if not avoided, will result in death or serious injury.
	WARNING	Indicates a potentially hazardous situation, which, if not avoided, could result in death or serious injury.
	CAUTION	Indicates a potentially hazardous situation, which, if not avoided, may result in minor or moderate injury.
	CAUTION	(Without Safety Alert Symbol) Indicates a situation that may result in property damage.

SERVICE

Servicing requires extreme care and knowledge and should be performed only by a qualified service technician. For service we suggest you return the product to your nearest **AUTHORIZED SERVICE CENTER** for repair. When servicing, use only identical replacement parts.

WARNING

- Do not use on wet ground.
- Disconnect before cleaning or changing accessories.

WARNING

To avoid serious personal injury, do not attempt to use this product until you have read this Owner's Manual thoroughly and understand it completely. If you do not understand the warnings and instructions in this Owner's Manual, do not use this product. Call the Toll-free Helpline (1-855-345-3934) for assistance.

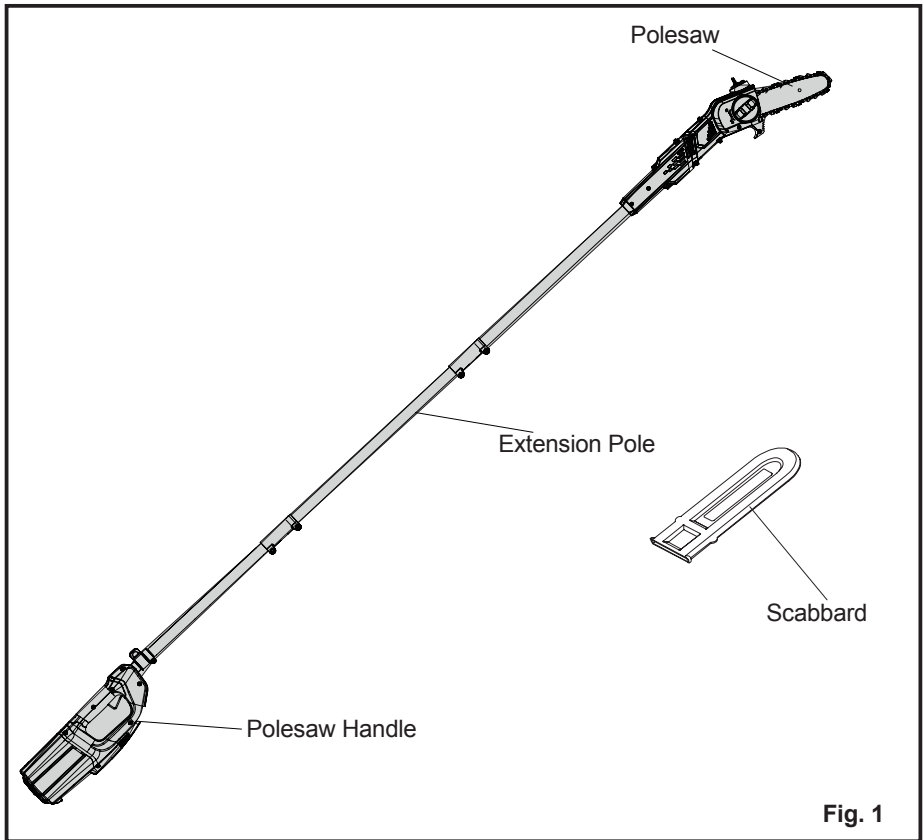


The operation of any power tool can result in foreign objects being thrown into your eyes, which can result in severe eye damage. Before operating a power tool, always wear safety goggles, safety glasses with side shields, or a full face shield when needed. We recommend a Wide Vision Safety Mask for use over eyeglasses or standard safety glasses with side shields. Always use eye protection that is marked to comply with ANSI Z87.1.

SAVE THESE INSTRUCTIONS

KNOW YOUR POLESAW

Read this operator's manual and safety rules before operating your polesaw. Compare the illustration in (Figure 1) to your polesaw in order to familiarize yourself with the location of various controls and adjustments. Save this manual for future reference.



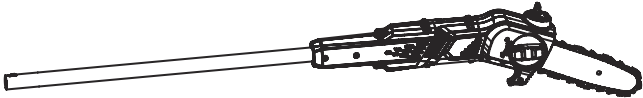
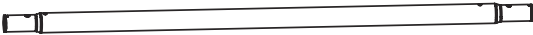
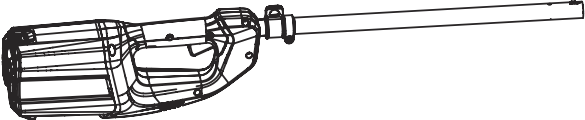
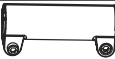

ASSEMBLY INSTRUCTION

UNPACKING

This product has been shipped completely assembled.

- Carefully remove the product and any accessories from the box. Make sure that all items listed in the package contents section are included.
- Inspect the product carefully to make sure no breakage or damage occurred during shipping.
- Do not discard the packing material until you have carefully inspected and satisfactorily operated the product.
- If any parts are damaged or missing, please call 1-855-345-3934 for assistance.

PACKING LIST

PART NAME	FIGURE	QTY
Power Head Pole		1
Extension Pole		1
Handle Pole		1
Lock Sleeve		1
Scabbard		1
Operator's Manual		1

ASSEMBLY INSTRUCTION

⚠ WARNING

If any parts are damaged or missing, do not operate this product until the parts are replaced. Using a product with damaged or missing parts could result in serious personal injury.

⚠ WARNING

Do not attempt to modify this product or create accessories not recommended for use with this product. Any such alteration or modification is misuse and could result in a hazardous condition leading to possible serious personal injury.

⚠ WARNING

Do not insert the battery until assembly is complete. Failure to comply could result in accidental starting and possible serious personal injury.

ASSEMBLY INSTRUCTION

⚠ WARNING

Do not allow familiarity with this product to make you careless. Remember that a careless fraction of a second is sufficient to inflict serious injury.

⚠ WARNING

Always wear safety goggles or safety glasses with side shields when operating power tools. Failure to do so could result in objects being thrown into your eyes, resulting in possible serious injury.

⚠ WARNING

Do not use any attachments or accessories not recommended by the manufacturer of this product. The use of attachments or accessories not recommended can result in serious personal injury.

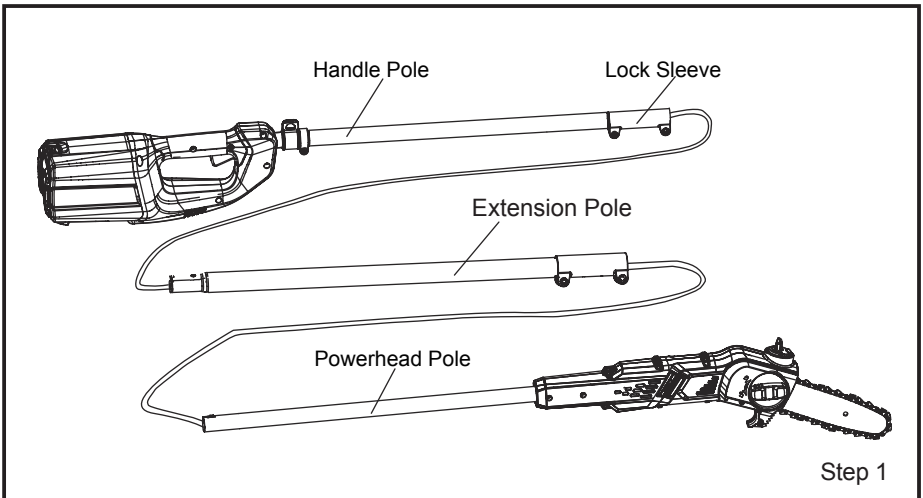
CONNECTING THE POLES (See Figure 2)

Before using the polesaw, assembly is required. When removed from the box, there are the three poles as shown below.

- Remove packaging material from cord and discard (1).
- Insert the extension pole into the handle pole and slide together. The tubes are oval-shaped and will only install one way.
- Push to the threaded base on the handle pole the lock sleeve into the extension pole and the press button will lock into the press button hole (2). Then use a wrench to secure the lock nut (3).
- Repeat this process to attach the extension pole to the handle pole.

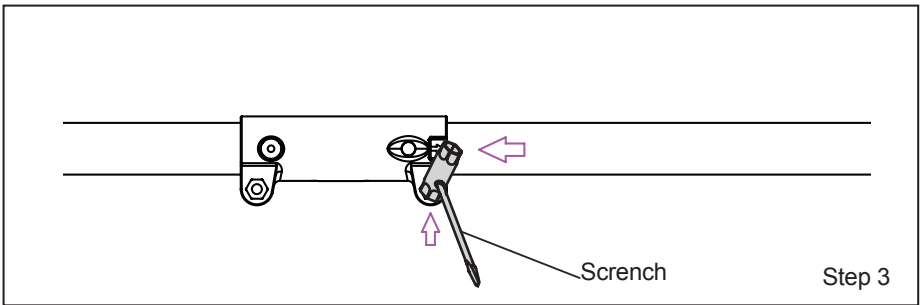
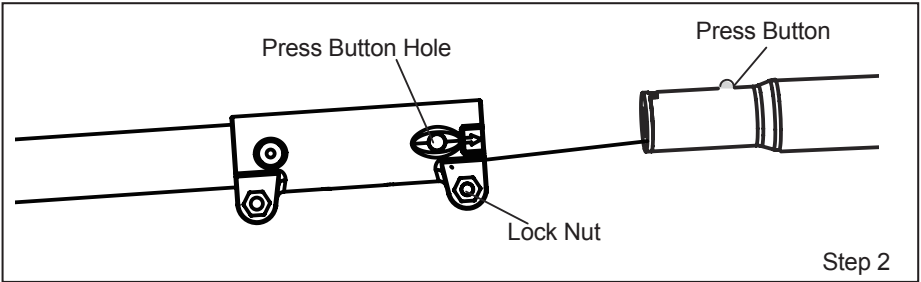
NOTE: For convenient assembly, the extension pole must be connected with powerhead pole first, and then connected with the handle pole.

Fig. 2



Step 1

OPERATION



▲ WARNING

Do not allow familiarity with this product to make you careless. Remember that a careless fraction of a second is sufficient to inflict serious injury.

▲ WARNING

Do not use any attachments or accessories not recommended by the manufacturer of this product. The use of attachments or accessories not recommended can result in serious personal injury.

▲ WARNING

Always wear safety goggles or safety glasses with side shields when operating power tools. Failure to do so could result in objects being thrown into your eyes, resulting in possible serious injury.

APPLICATIONS

You may use this product for the purposes listed below:

- Limbing
 - Pruning
-

OPERATION

ADDING BAR AND CHAIN LUBRICANT (See Figure 3)

Use Bar and Chain Lubricant. It is designed for chains and chain oilers, and is formulated to perform over a wide temperature range with no dilution required.

NOTE: Polesaw comes from the factory with no bar and chain oil added. Level should also be checked after every 30 minutes of use and refilled as needed.

- Remove oil cap. Open the removable cover (1) and then rotate the cover counterclockwise to remove it (2).
- Carefully pour the bar and chain oil into the tank (3).
- Wipe off excess oil.
- Check and fill the oil tank when there is no oil in the oil tank.
- Repeat as needed.

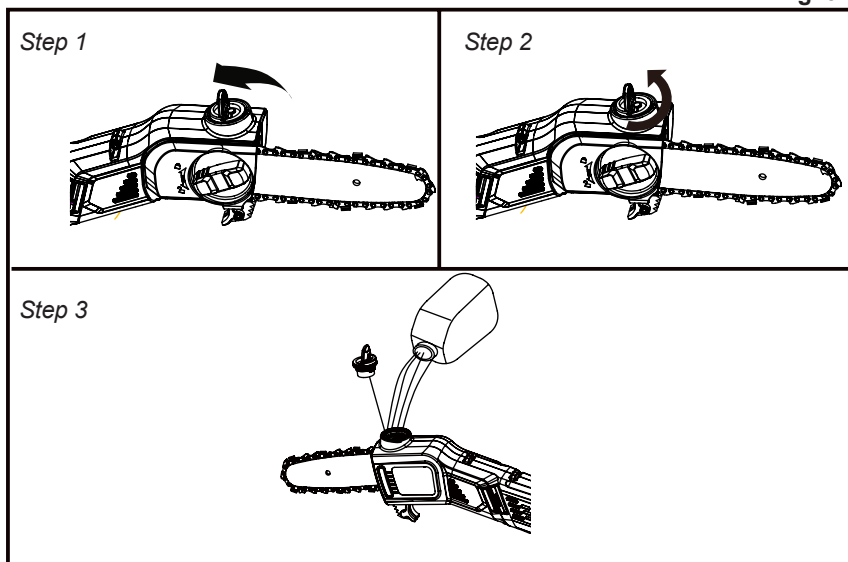
NOTE: Do not use dirty, used or otherwise contaminated oils. Damage may occur to the bar or chain.

NOTE: It is normal for oil to seep from the saw when not in use. To prevent seepage, empty the oil tank after each use then run for one minute. When storing the unit for a long period of time (three months or longer) be sure the chain is lightly lubricated; this will prevent rust on the chain and bar sprocket.

▲ I M P O R T A N T

To preserve natural resources, please recycle or dispose of oil properly. Consult your local waste authority for information regarding available recycling and/disposal options.

Fig. 3



OPERATION

BATTERY PACK (See Figure 4)

▲ I M P O R T A N T

The battery pack is not charged when it is purchased. Before using the polesaw for the first time, place the battery pack in the battery charger and charge it fully. Be sure to read all safety precautions, and follow the instructions in the section entitled Charging Procedure. With regular use, the battery will require shorter charging times. When storing the polesaw for a prolonged period of time, remove the battery. When the polesaw is going to be used again, charge the battery pack for at least a full charging period. This product has no memory effect.

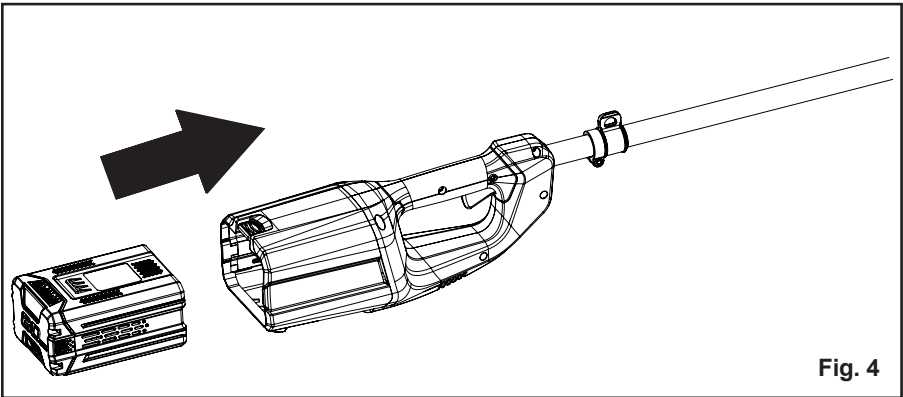
REMOVING THE BATTERY PACK

- Press the latch button on the battery pack down and hold.
 - Grasp the polesaw firmly, and pull the battery pack out of the handle.
-

NOTE: *The battery pack fits into the handle snugly in order to prevent accidental dislodging. It may require a strong pull to remove it.*

INSTALLING THE BATTERY PACK

- Align the tongue of the battery pack with the cavity.
- Grasp the polesaw firmly.
- Push the battery pack into the handle until the latch locks into place.
- Do not use force when inserting the battery pack. It should slide into position and “click”.



▲ W A R N I N G

Follow these instructions in order to avoid injury and to reduce the risk of electric shock or fire:

- Replace the battery pack or the charger immediately if the battery case or charger cord is damaged.
 - Verify that the switch is in the OFF position before inserting or removing the battery pack.
 - Verify that the battery pack is removed and the switch is in the OFF position before inspecting, adjusting, or performing maintenance on any part of the polesaw.
 - Read, understand, and follow the instructions contained in the section entitled Charging Procedure.
-

OPERATION

▲ I M P O R T A N T

This Lithium-ion battery pack is equipped with an internal circuit breaker which will automatically shut off the power to the tool and then reset itself once cooled.

Follow these steps if an overload occurs while under heavy use:

1. Release the power switch and restart tool by depressing switch.
 2. The battery may need to be removed for approximately 1 minute, allowed to cool and then reinstalled for use.
-

STARTING AND STOPPING (See Figure 5)

TO START THE MOTOR:

- Fit the battery pack into the polesaw.
- Press and hold the trigger lock. This makes the trigger operational.
- Press and hold the trigger, release the trigger lock and continue to squeeze the trigger for continued operation.

TO STOP THE MOTOR:

- Release the trigger.

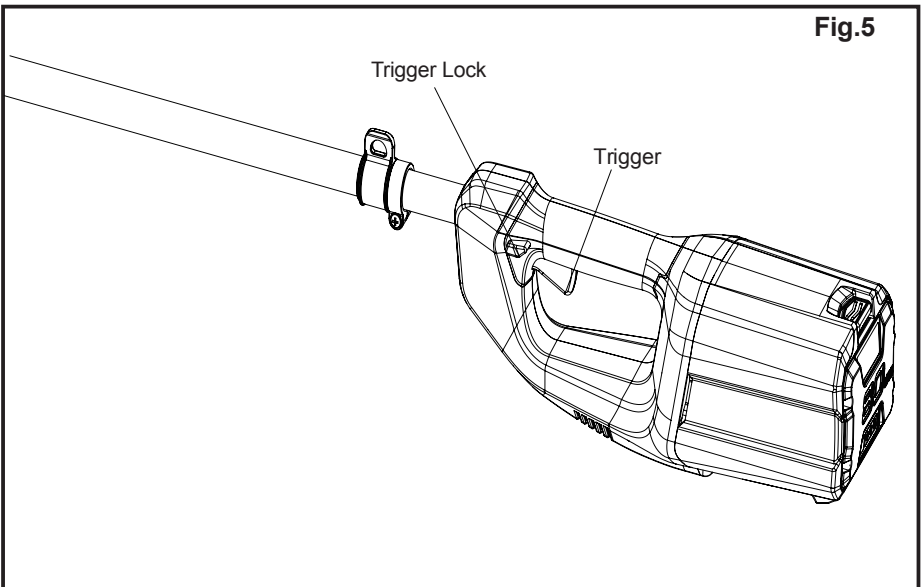


Fig.5

OPERATION

PREPARATION FOR CUTTING (See Figure 6-7)

- Wear non-slip gloves for maximum grip and protection.
- Maintain a proper grip on the unit whenever the motor is running. Use your right hand to firmly grip the rear handle while your left hand has a firm grip on the pole shaft.
- Hold unit firmly with both hands. Always keep your left hand on the pole shaft and your right hand on the rear handle, so your body is to the left of the chain line. Never use a left-handed (cross-handed) grip, or any stance that places your body or arm across the chain line.
- Never stand directly under the limb you are cutting.
- Be certain the collars are fully tightened before operating equipment; check them periodically for tightness during use to avoid serious injury.

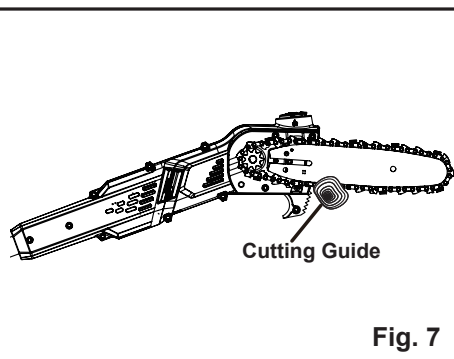
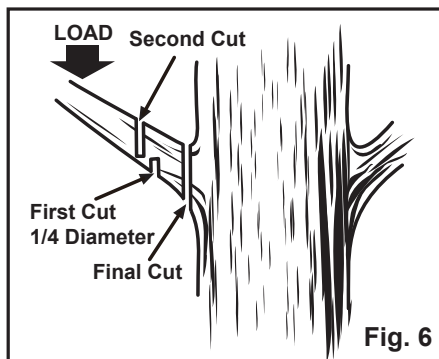
BASIC CUTTING PROCEDURE

Follow the steps below to prevent damage to tree or shrub bark. Do not use a back-and-forth sawing motion.

- Make a shallow first cut (1/4 of limb diameter) on the underside of the limb close to the main limb or trunk.
- Make a second cut from the top side of the limb outboard from the first cut. Continue the cut through the limb until the limb separates from the tree. Be prepared to balance the weight of the tool when the limb falls.
- Make a final cut close to trunk.

NOTE: For second and final cuts (from top of limb or branch), hold front cutting guide against the limb being cut. This will help steady the limb and make it easier to cut. Allow chain to cut for you; exert only light down-ward pressure. If you force the cut, damage to the bar, chain, or motor can result.

- Release the trigger as soon as the cut is completed. Failure to follow proper cutting procedures will result in the bar and chain binding and becoming pinched or trapped in the limb. If this should happen:
- Stop the motor and remove the battery from the polesaw.
- If the limb can be reached from the ground, lift the limb while holding the saw. This should release the “pinch” and free the saw.
- If the saw is still trapped, call a professional for assistance.



OPERATION

LIMBING AND PRUNING (See Figure 8)

This unit is designed for trimming small branches and limbs up to 6 in. (15.2 cm) in diameter. For best results, observe the following precautions:

- Plan the cut carefully. Be aware of the direction in which the branch will fall.
- Branches may fall in unexpected directions. Do not stand directly under the branch being cut.
- The most typical cutting application is to position the unit at an angle of 60° or less, depending on the specific situation. As the angle of the polesaw shaft to ground increases the difficulty of making the first cut (from underside of limb) increases.
- Remove long branches in several stages.
- Cut lower branches first to allow the top branches more room to fall.
- Work slowly, keeping both hands on the saw with a firm grip. Maintain secure footing and balance.
- Keep the tree between you and the chain while limbing. Cut from the side of the tree opposite of the branch you are cutting.
- Do not cut from a ladder; this is extremely dangerous. Leave this operation for professionals.
- Do not make the flush cut next to the main limb or trunk until you have cut off the limb further out to reduce the weight.
- Following proper cutting procedures will prevent stripping the bark from the main member.
- Do not use the polesaw for felling or bucking.
- To prevent electrocution, do not operate within 50 ft. (15 m) of overhead electrical lines.
- Keep bystanders at least 50 ft. (15 m) away.

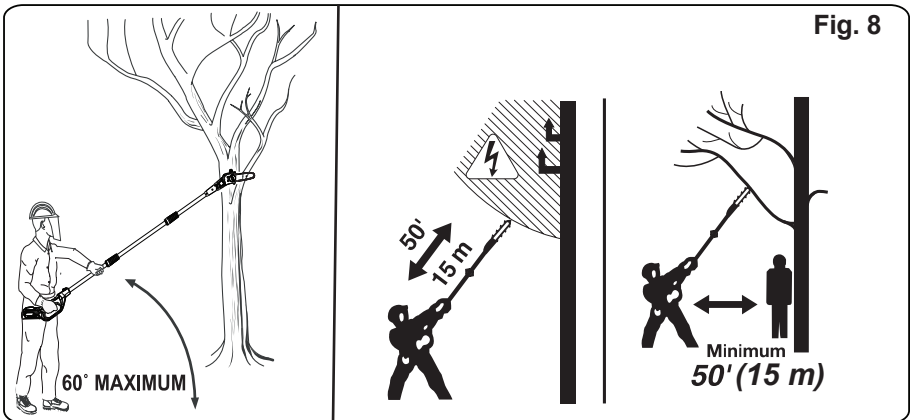


Fig. 8

BATTERY & CHARGER MAINTENANCE

CHARGING PROCEDURE (See Figure 9)

NOTE : The battery is not shipped fully charged. It is recommended to fully charge before first use to ensure that maximum run time can be achieved. This lithium-ion battery will not develop a memory and may be charged at any time. A fully discharged battery pack will require approximately 90 minutes to fully charge from a discharged state.

1. Plug the charger into an AC power outlet.
2. Insert the battery pack (3) into the charger.

This is a diagnostic charger. The Charger LED Lights will illuminate in specific order to communicate the current battery status. They are as follows:

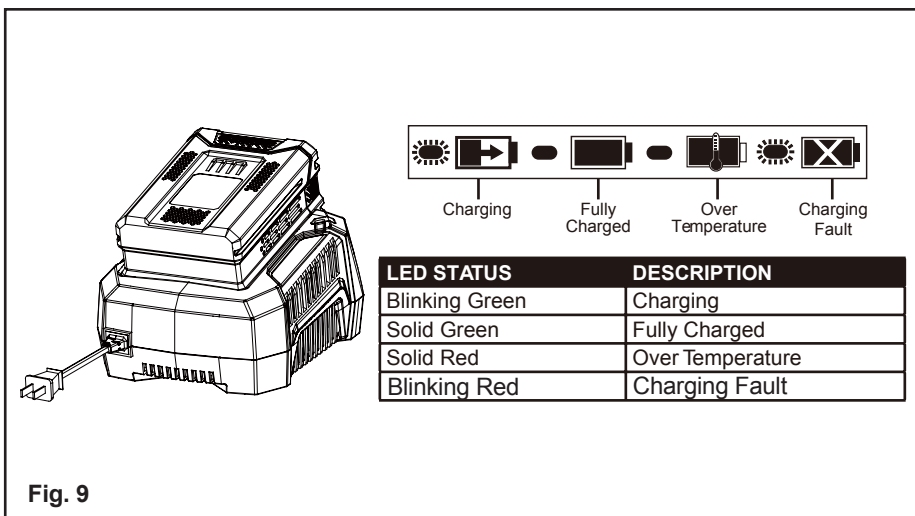


Fig. 9

FALSE DEFECT NOTE:

When the battery is inserted into the charger and the status LED blinks RED, remove the battery from the charger for 1 minute, then reinsert. If the status LED blinks GREEN, then the battery is properly charging. If the status LED is still blinking RED, remove the battery and unplug the charger for 1 minute.

After 1 minute, plug in the charger and reinsert the battery. If the status LED blinks GREEN, then the battery is properly charging. If the status LED is still blinking RED, the battery is defective and needs to be replaced.

CHECKING THE CHARGE

If the battery pack does not charge properly:

- Check the current at the power outlet with another tool. Make sure that the outlet is not turned off.
- Check that the charger contacts have not been shorted by debris or foreign material.
- If the surrounding air temperature is not normal room temperature, move the charger and battery pack to a location where the temperature is between 50°F and 100°F.

BATTERY & CHARGER MAINTENANCE

▲ W A R N I N G

If the battery is inserted into the charger when warm or hot, the CHARGING LED indicator light on the charger may switch on and illuminate ORANGE. If this occurs allow the battery to cool outside of the charger from approximately 30 minutes.

CHARGER MAINTENANCE

- Keep the charger clean and clear of debris. Do not allow foreign material into the recessed cavity or on the contacts. Wipe with a dry cloth. Do not use solvents, water, or place in wet conditions.
- Always unplug the charger when there is no battery pack in it.
- The battery pack may be stored in the charger. however, it is recommended to disconnect the charger from the power source. To ensure safety and reliability all repairs should be performed by a qualified service technician.
- Check that the charger contacts have not been shorted by debris or foreign material.
- If the surrounding air temperature is not normal room temperature, move the charger and battery pack to a location where the temperature is between 65 and 75°F (18 and 24°C).

CHARGER MOUNTING (See Figure 10.)

1. This charger can be installed hanging on a wall using two screws (not supplied).
2. Locate the placement for the charger to be wall mounted.
3. If fastening to wood studs use 2 wood screws.
4. Drill two holes 2 3/8" (6 cm) on center ensuring they are level.
5. If fastening to drywall use wall anchors and screws to secure the charger to the wall.

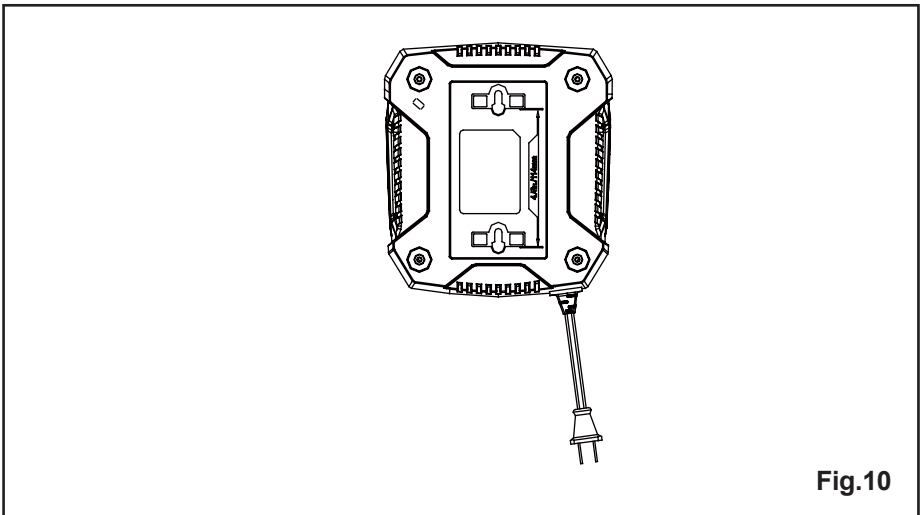


Fig.10

MAINTENANCE

▲ W A R N I N G

When servicing, use only identical replacement parts. Use of any other parts may create a hazard or cause product damage.

▲ W A R N I N G

Always wear safety goggles or safety glasses with side shields during power tool operation or when blowing dust. If operation is dusty, also wear a dust mask.

▲ W A R N I N G

Before inspecting, cleaning or servicing the unit, stop the motor, wait for all moving parts to stop, and remove the battery. Failure to follow these instructions can result in serious personal injury or property damage.

GENERAL MAINTENANCE

Avoid using solvents when cleaning plastic parts. Most plastics are susceptible to damage from various types of commercial solvents and may be damaged by their use. Use clean cloths to remove dirt, dust, oil, grease, etc.

▲ W A R N I N G

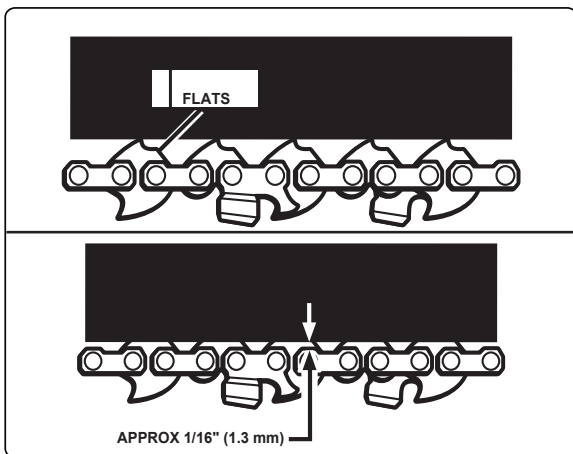
Do not at any time let brake fluids, gasoline, petroleum-based products, penetrating oils, etc., come in contact with plastic parts. Chemicals can damage, weaken, or destroy plastic, which may result in serious personal injury.

All polesaw service, other than the items listed in the instruction manual maintenance instructions, should be performed by competent polesaw service personnel. (For example, if improper tool is used to hold the flywheel in order to remove the clutch, structural damage to the flywheel could occur and subsequently could cause the flywheel to burst).

MAINTENANCE

CHAIN TENSION

- Stop the motor and remove the battery before setting the chain tension. Turn the bar cover knob counterclockwise to loosen the bar cover but do not remove the bar cover. Turn the chain tensioning screw clockwise to tension chain. Turn the guide bar knob clockwise to tighten. Refer to the Replacing the bar and chain section for additional information.
- Chain must be retensioned whenever the flats on the drive links hang out of the bar groove.
- During normal operation, the temperature of the chain will increase. The drive links of a correctly tensioned warm chain will hang approximately 1/16 in. (1.3 mm) out of the bar groove.



NOTE: A cold chain is correctly tensioned when there is no slack on the underside of the guide bar, the chain is snug, but it can be turned by hand without binding.

NOTE: New chain tends to stretch; check chain tension frequently.

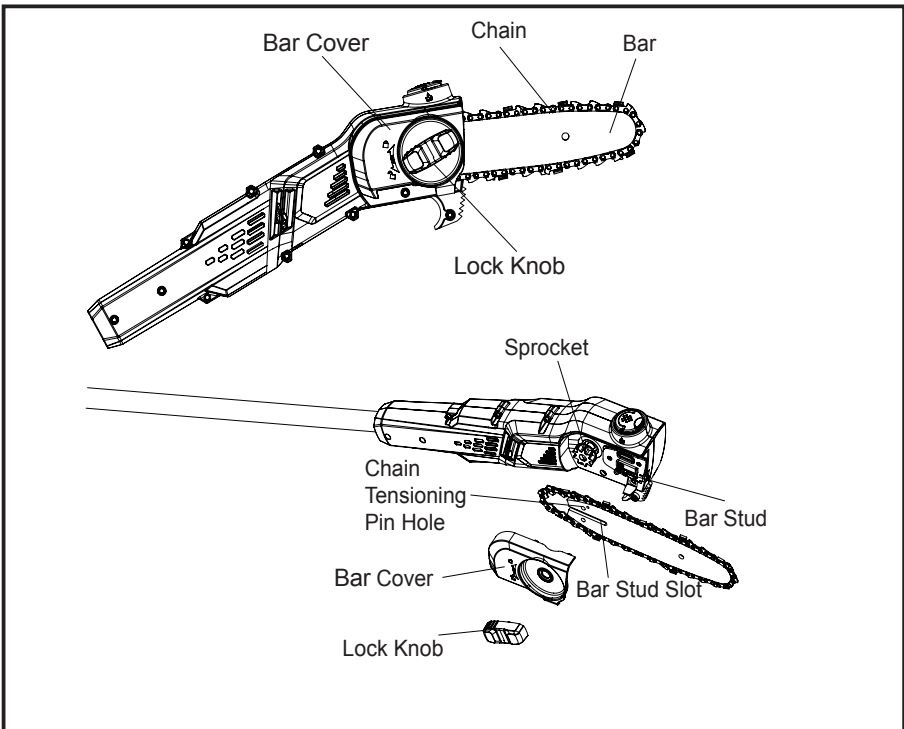
⚠ CAUTION

Chain tensioned while warm may be too tight upon cooling. Check the "cold tension" before next use.

MAINTENANCE

REPLACING THE BAR AND CHAIN

- Remove the lock knob and chain cover.
- The bar contains a bar stud slot that fits over the bar stud. The bar also contains a chain tensioning pin hole that fits over the chain tensioning pin.
- Place the bar onto the bar stud so that the chain tensioning pin fits into the chain tensioning pin hole. Fit the chain over the sprocket and into the bar groove. The cutters on the top of the bar should face toward the bar tip, in the direction of the chain rotation.
- Replace the chain cover and install the lock knob. Tighten the lock knob finger tight only. The bar must be free to move for tension adjustment.
- Remove all slack from chain by turning the chain tensioning bolt clockwise, assuring that the chain seats into the bar groove during tensioning.
- Lift the tip of the bar up to check for sag. Release the tip of the bar, and turn the chain tensioning bolt 1/2 turn clockwise.
- Repeat this process until the sag no longer exists.
- Hold the tip of the bar up and tighten the locked bolt securely.
- The chain is correctly tensioned when there is no slack on the underside of the bar, the chain is snug, and it can be turned by hand without binding.



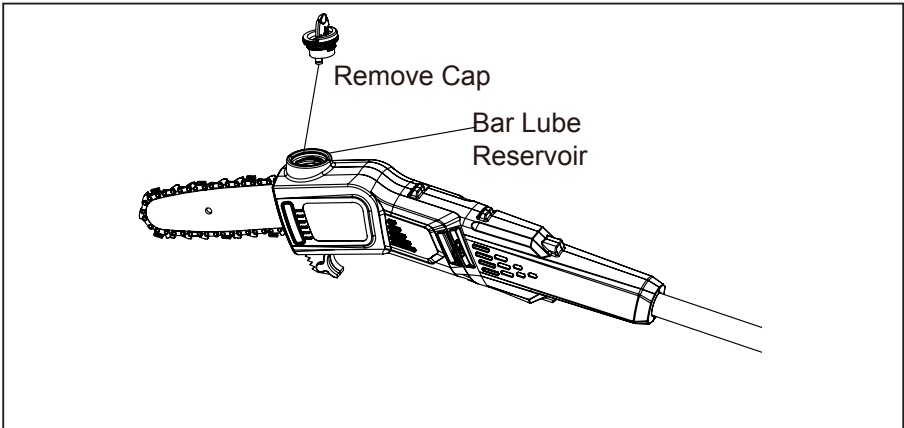
MAINTENANCE

CHAIN OILER

- Use a lubricant that is designed for chains and chain oilers and is formulated to perform over a wide temperature range with no dilution required.
- Remove the cap and carefully pour approximately 2 oz (57 g) of bar and chain lubricant into the bar lube reservoir.
- Replace the cap and tighten securely.
- Check and refill the bar lube reservoir every time the polesaw is used.

NOTE: *If chain is too tight, it will not rotate. Loosen the bar cover knob slightly and turn adjusting screw 1/4 turn counterclockwise. Lift the tip of the bar up and retighten bar cover knob.*

NOTE: *Do not use dirty, used, or otherwise contaminated lubricants. Damage may occur to the oil pump, bar, or chain.*



MAINTENANCE

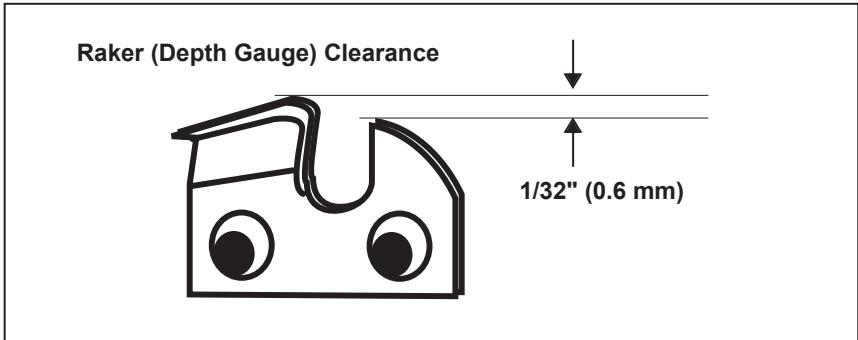
CHAIN MAINTENANCE

For smooth and fast cutting, the chain needs to be maintained properly. The following conditions indicate that the chain requires sharpening:

- Wood chips are small and powdery.
- Chain must be forced through the wood during cutting.
- Chain cuts to one side.

During maintenance of the chain, consider the following:

- Improper filing angle of the side plate can increase the risk of a severe kickback.
- Depth gauge (or raker clearance) setting determines the height the cutter enters the wood and the size of the wood chip that is removed. Too much clearance increases the potential for kickback. Too little clearance decreases the size of the wood chip thus decreasing the chain's cutting ability.
- If cutter teeth have hit hard objects such as nails or stones, or have been abraded by mud or sand on the wood, have service dealer sharpen chain.

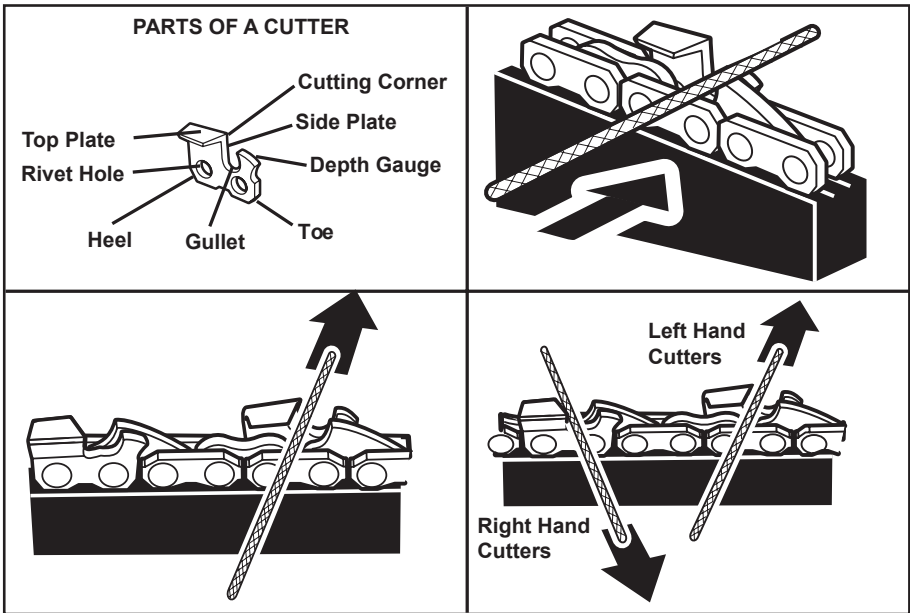


MAINTENANCE

HOW TO SHARPEN THE CUTTERS

Be careful to file all cutters to the specified angles and to the same length, as fast cutting can be obtained only when all cutters are uniform.

- Tighten the chain tension enough that the chain does not wobble. Do all of your filing at the midpoint of the bar. Wear gloves for protection.
- Use a round file and holder.
- Keep the file level with the top plate of the tooth. Do not let the file dip or rock.
- Using light but firm pressure, stroke towards the front corner of the tooth. Lift file away from the steel on each return stroke.
- Put a few firm strokes on every tooth. File all left hand cutters in one direction. Then move to the other side and file the right hand cutters in the opposite direction. Occasionally remove filings from the file with a wire brush.



⚠ CAUTION

Dull or improperly sharpened chain can cause excessive motor speed during cutting which may result in severe motor damage.

⚠ WARNING

Improper chain sharpening increases the potential of kickback. Failure to replace or repair damaged chain can cause serious injury.

ENVIRONMENTALLY SAFE BATTERY DISPOSAL

The batteries used in this polesaw's battery pack contain the following toxic and corrosive material: LITHIUM-ION, a toxic material.



▲ W A R N I N G

Toxic materials must be disposed of in a specific manner in order to prevent contamination of the environment. Before disposing of damaged or worn out Lithium-Ion battery packs, contact your local waste disposal agency or the local Environmental Protection Agency for information and specific instructions. Take the batteries to a local recycling and/or disposal center that is certified for disposal. If the battery pack cracks or breaks, whether it leaks or not, do not recharge it and do not use it. Dispose of it and replace it with a new battery pack.

DO NOT ATTEMPT TO REPAIR IT!

Follow these instructions and to avoid damage to the environment:

- Cover the battery's terminals with heavy-duty adhesive tape.
- Do not attempt to remove or destroy any of the components of the battery pack.
- Do not attempt to open the battery pack.
- If a leak develops, the electrolytes that are released are corrosive and toxic. Do not get the solution in the eyes or on the skin, and do not swallow it.
- Do not place batteries in regular household trash.
- DO NOT incinerate batteries.
- DO NOT place batteries where they will become part of any waste landfill or municipal solid waste stream.
- Dispose of batteries at a certified recycling or disposal center.

TROUBLESHOOTING

PROBLEM	POSSIBLE CAUSE	SOLUTION
Bar and chain running hot and smoking.	Check chain tension for overtightened condition.	Tension chain. Refer to to the "Chain Tensioning" section.
	Bar and Chain Oil Tank Low or Empty.	Check the Oil Tank Level, and refill if needed.
Motor runs, but chain is not rotating.	Chain tension too tight.	Refer to the "Chain Tensioning" section.
	Check guide bar and chain assembly.	Refer to the "Replacing the Bar and Chain" section.
	Check guide bar and chain for damage.	Replace bar and chain if damaged.

LIMITED FOUR-YEAR WARRANTY



GREENWORKS™ hereby warrants this product, to the original purchaser with proof of purchase, for a period of four (4) years against defects in materials, parts or workmanship. GREENWORKS™, at its own discretion will repair or replace any and all parts found to be defective, through normal use, free of charge to the customer. This warranty is valid only for units which have been used for personal use that have not been hired or rented for industrial/ commercial use, and that have been maintained in accordance with the instructions in the owners' manual supplied with the product from new.

Battery carries a two (2) year warranty against defects in workmanship and materials. Batteries must be charged in accordance with the operator's manuals directions and regulations in order to be valid.

ITEMS NOT COVERED BY WARRANTY:

1. Any part that has become inoperative due to misuse, commercial use, abuse, neglect, accident, improper maintenance, or alteration; or
2. The unit, if it has not been operated and/or maintained in accordance with the owner's manual; or
3. Normal wear, except as noted below;
4. Routine maintenance items such as lubricants, blade sharpening;
5. Normal deterioration of the exterior finish due to use or exposure.

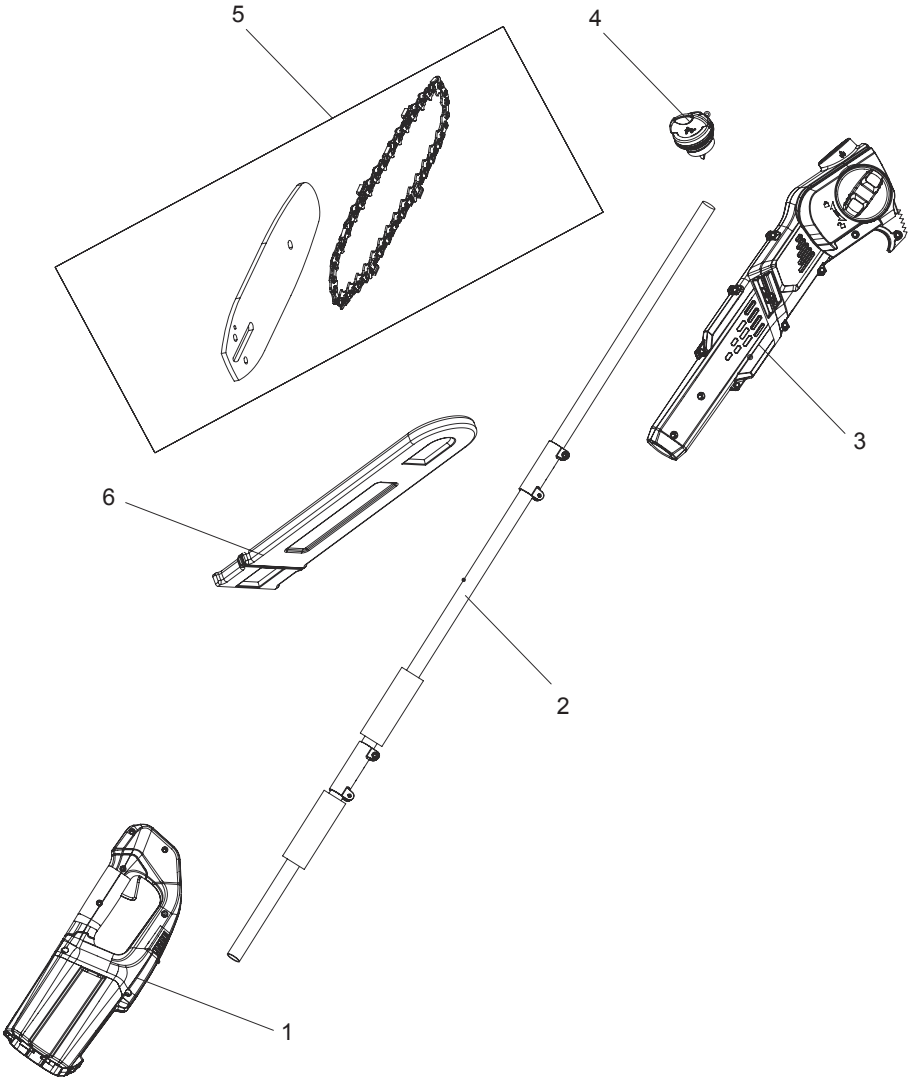
GREENWORKS PRO HELPLINE:

Warranty service is available by calling our toll-free helpline at **1-855-345-3934** .

TRANSPORTATION CHARGES:

Transportation charges for the movement of any power equipment unit or attachment are the responsibility of the purchaser. It is the purchaser's responsibility to pay transportation charges for any part submitted for replacement under this warranty unless such return is requested in writing by GREENWORKS.

EXPLODED VIEW



PARTS LIST

ITEM NO.	PART NO.	DESCRIPTION	QTY
1	311011726	Polesaw Handle Assembly	1
2	311021726	Pole Assembly	1
3	311021726	Pole Head Assembly	1
4	311051734B	Oil Cap Assembly	1
5	311031726	Bar and Chain Assembly	1
6	34114155-1	Scabbard	1



Greenworks Tools
P.O. Box 3130
 Mooresville, North Carolina 28117

TOLL-FREE HELPLINE: 1-855-345-3934

Rev: 00 (02-17-16)



Printed in China on 100% Recycled Paper