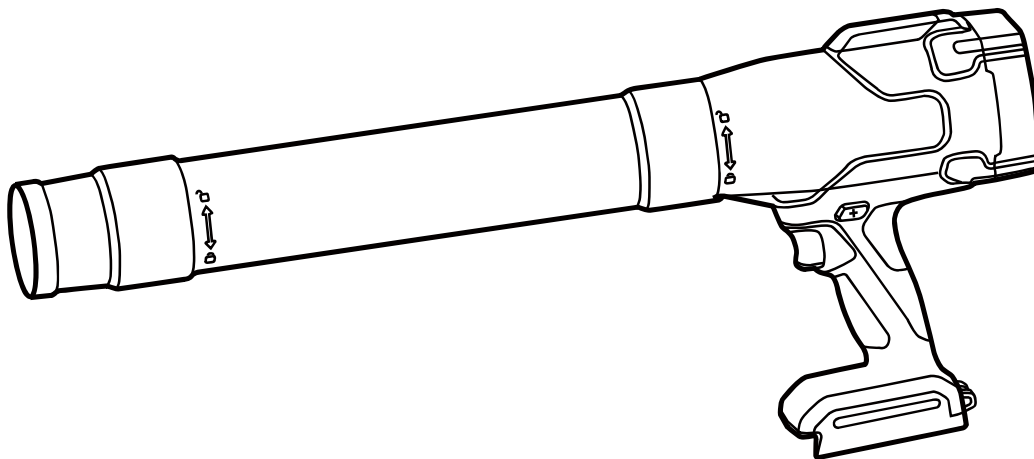


greenworks[®]

BL24270

EN	BLOWER	OPERATOR MANUAL
FR	SOUFFLEUSE	MANUEL D'OPÉRATEUR
ES	SOPLADOR	MANUAL DEL OPERADOR



www.greenworkstools.com

1	Introduction.....	4	5	Maintenance.....	9
1.1	Product description.....	4	5.1	Maintenance schedule.....	9
1.2	Intended use.....	4	5.2	Check the air intake vent.....	9
1.3	Product overview.....	4	5.3	Examine the battery and the battery charger.....	10
1.4	Symbols on the product.....	4	5.4	Clean the product.....	10
1.5	California Proposition 65.....	4	5.5	Clean the battery and battery charger.....	10
2	Safety.....	4	6	Transportation, storage and disposal.....	11
2.1	Safety definitions.....	4	6.1	Transportation.....	11
2.2	General Product Safety Warnings.....	4	6.2	Storage.....	11
2.3	Garden blower safety warnings.....	6	6.3	Disposal of the battery, battery charger, and product.....	11
3	Assembly.....	6	7	Troubleshooting.....	11
3.1	Install the blower tube and attachment nozzles.....	6	8	Technical data	11
4	Operation.....	7	9	Limited warranty.....	12
4.1	Before you use the product.....	7	9.1	Items not covered by warranty.....	12
4.2	Start the product.....	8	9.2	Helpline.....	12
4.3	Lock-on button.....	8	9.3	Shipping.....	12
4.4	Operate the product.....	8			
4.5	Stop the product.....	8			

1 INTRODUCTION

1.1 PRODUCT DESCRIPTION

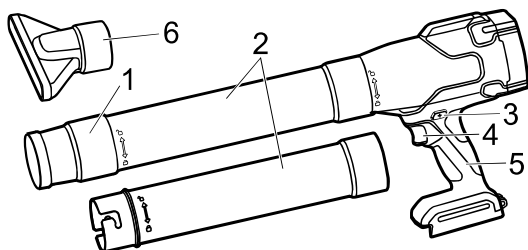
This product is a battery-operated blower with an electric motor.

We are committed to continuously improving our products and reserve the right to modify the design and appearance without prior notice.

1.2 INTENDED USE

The product is designed for clearing leaves, debris, and other materials from various surfaces such as lawns, driveways, pathways, and outdoor spaces.

1.3 PRODUCT OVERVIEW



- 1 Speed tip
- 2 Blower tube
- 3 Lock-on button
- 4 Trigger
- 5 Overmold handle
- 6 Wide nozzle

1.4 SYMBOLS ON THE PRODUCT

Symbol	Explanation
	To reduce the risk of injury, user must read instruction manual.
	Keep bystanders away.
	Do not expose to rain.
	Wear eye and ear protection.
	Disconnect battery before maintenance.

1.5 CALIFORNIA PROPOSITION 65

⚠ WARNING

THIS PRODUCT CONTAINS OR EMITS A CHEMICAL KNOWN TO THE STATE OF CALIFORNIA TO CAUSE CANCER OR BIRTH DEFECTS OR OTHER REPRODUCTIVE HARM.

2 SAFETY

2.1 SAFETY DEFINITIONS

Warnings, cautions, and notes are used to point out especially important parts of the manual.

⚠ WARNING

THERE IS A RISK OF INJURY OR DEATH FOR THE OPERATOR OR BYSTANDERS, IF THE INSTRUCTIONS IN THE MANUAL ARE NOT OBEYED.

⚠ CAUTION

THERE IS A RISK OF DAMAGE TO THE PRODUCT, OTHER MATERIALS, OR THE ADJACENT AREA, IF THE INSTRUCTIONS IN THE MANUAL ARE NOT OBEYED.

Note: Used to give more information that is necessary in a given situation.

2.2 GENERAL PRODUCT SAFETY WARNINGS

General Product Safety Warnings

⚠ WARNING

Read all safety warnings, instructions, illustrations and specifications provided with this Product. Failure to follow all instructions listed below may result in electric shock, fire and/or serious injury.

Save all warnings and instructions for future reference.

The term "product" in the warnings refers to your mains-operated (corded) Product or BATTERY-operated (cordless) Product.

1) Work area safety

- a) **Keep work area clean and well lit. Cluttered or dark areas invite accidents.**
- b) **Do not operate products in explosive atmospheres, such as in the presence of flammable liquids, gases or dust. Products create sparks which may ignite the dust or fumes.**

c) **Keep children and bystanders away while operating a product.** *Distractions can cause you to lose control.*

2) Electrical safety

a) **Product plugs must match the outlet. Never modify the plug in any way. Do not use any adapter plugs with earthed (grounded) products.** *Unmodified plugs and matching outlets will reduce risk of electric shock.*

b) **Avoid body contact with earthed or grounded surfaces, such as pipes, radiators, ranges and refrigerators.** *There is an increased risk of electric shock if your body is earthed or grounded.*

c) **Do not expose products to rain or wet conditions.** *Water entering a Product will increase the risk of electric shock.*

d) **Do not abuse the cord. Never use the cord for carrying, pulling or unplugging the product. Keep cord away from heat, oil, sharp edges or moving parts.** *Damaged or entangled cords increase the risk of electric shock.*

e) **When operating a product outdoors, use an extension cord suitable for outdoor use.** *Use of a cord suitable for outdoor use reduces the risk of electric shock.*

f) **If operating a product in a damp location is unavoidable, use a residual current device (RCD) protected supply.** *Use of an RCD reduces the risk of electric shock.*

3) Personal safety

a) **Stay alert, watch what you are doing and use common sense when operating a product. Do not use a product while you are tired or under the influence of drugs, alcohol or medication.** *A moment of inattention while operating Products may result in serious personal injury.*

b) **Use personal protective equipment. Always wear eye protection.** *Protective equipment such as dust mask, non-skid safety shoes, hard hat, or hearing protection used for appropriate conditions will reduce personal injuries.*

c) **Prevent unintentional starting. Ensure the switch is in the off-position before connecting to power source and/or battery pack, picking up or carrying the product.** *Carrying products with your finger on the switch or energizing products that have the switch on invites accidents.*

d) **Remove any adjusting key or wrench before turning the product on.** *A wrench or a key left attached to a rotating part of the Product may result in personal injury.*

e) **Do not overreach. Keep proper footing and balance at all times.** *This enables better control of the product in unexpected situations.*

f) **Dress properly. Do not wear loose clothing or jewelry. Keep your hair and clothing away from**

moving parts. *Loose clothes, jewelry or long hair can be caught in moving parts.*

g) **If devices are provided for the connection of dust extraction and collection facilities, ensure these are connected and properly used.** *Use of dust collection can reduce dust-related hazards.*

h) **Do not let familiarity gained from frequent use of products allow you to become complacent and ignore tool safety principles.** *A careless action can cause severe injury within a fraction of a second.*

4) Product use and care

a) **Do not force the product. Use the correct product for your application.** *The correct product will do the job better and safer at the rate for which it was designed.*

b) **Do not use the product if the switch does not turn it on and off.** *Any product that cannot be controlled with the switch is dangerous and must be repaired.*

c) **Disconnect the plug from the power source and/or remove the battery pack, if detachable, from the product before making any adjustments, changing accessories, or storing Products.** *Such preventive safety measures reduce the risk of starting the Product accidentally.*

d) **Store idle products out of the reach of children and do not allow persons unfamiliar with the product or these instructions to operate the product.** *Products are dangerous in the hands of untrained users.*

e) **Maintain products and accessories. Check for misalignment or binding of moving parts, breakage of parts and any other condition that may affect the product's operation. If damaged, have the product repaired before use.** *Many accidents are caused by poorly maintained products.*

f) **Keep cutting tools sharp and clean.** *Properly maintained cutting tools with sharp cutting edges are less likely to bind and are easier to control.*

g) **Use the product, accessories and tool bits etc. in accordance with these instructions, taking into account the working conditions and the work to be performed.** *Use of the product for operations different from those intended could result in a hazardous situation.*

h) **Keep handles and grasping surfaces dry, clean and free from oil and grease.** *Slippery handles and grasping surfaces do not allow for safe handling and control of the tool in unexpected situations.*

5) Battery tool use and care

a) **Recharge only with the charger specified by the manufacturer.** *A charger that is suitable for one*

type of battery pack may create a risk of fire when used with another battery pack.

b) **Use products only with specifically designated battery packs.** Use of any other battery packs may create a risk of injury and fire.

c) **When battery pack is not in use, keep it away from other metal objects, like paper clips, coins, keys, nails, screws or other small metal objects, that can make a connection from one terminal to another.** Shorting the battery terminals together may cause burns or a fire.

d) **Under abusive conditions, liquid may be ejected from the battery; avoid contact. If contact accidentally occurs, flush with water. If liquid contacts eyes, additionally seek medical help.** Liquid ejected from the battery may cause irritation or burns.

e) **Do not use a battery pack or product that is damaged or modified.** Damaged or modified batteries may exhibit unpredictable behavior resulting in fire, explosion or risk of injury.

f) **Do not expose a battery pack or product to fire or excessive temperature.** Exposure to fire or temperature above 130 °C (265 °F) may cause explosion.

g) **Follow all charging instructions and do not charge the battery pack or product outside the temperature range specified in the instructions.** Charging improperly or at temperatures outside the specified range may damage the battery and increase the risk of fire.

6) Service

a) **Have your product serviced by a qualified repair person using only identical replacement parts.** This will ensure that the safety of the product is maintained.

b) **Never service damaged battery packs.** Service of battery packs should only be performed by the manufacturer or authorized service providers.

2.3 GARDEN BLOWER SAFETY WARNINGS

Garden blower safety warnings

a) **Do not use the product in bad weather conditions, especially when there is a risk of lightning.** This decreases the risk of being struck by lightning.

b) **Wear eye protection and ear protection.** Adequate protective equipment will reduce the risk of personal injury.

c) **While operating the product, always wear non-slip and protective footwear. Do not operate the product when barefoot or wearing open sandals.** This reduces the risk of injury to the feet.

d) **Do not wear loose fitting clothing or articles such as scarves, strings, chains, ties, etc., that could get drawn into the air inlets. Tie back or**

cover long hair to make sure it does not get drawn into the air inlets. If any of these items are drawn into the air inlets, it can increase the risk of personal injury.

e) **Keep bystanders away while operating the product.** Thrown **debris** can increase the risk of personal injury.

f) **Never point the blower nozzle in the direction of people or pets or in the direction of windows. Use extra caution when blowing debris near solid objects, such as trees, automobiles and walls that can cause debris to ricochet.** Thrown objects can damage property and increase the risk of personal injury.

g) **Do not use the product to blow anything that is burning or smoking, such as cigarettes, matches or hot ashes.** These ignition sources may increase the risk of fire.

h) **Do not touch the fan while still in motion. Turn off the product and wait until the fan stops before removing any part that may give access to the fan.** This reduces the risk of injury from moving parts.

i) **When clearing jammed material or servicing the product, make sure the power switch is off.** Unexpected starting of the product while clearing jammed material or servicing may result in serious personal injury.

3 ASSEMBLY

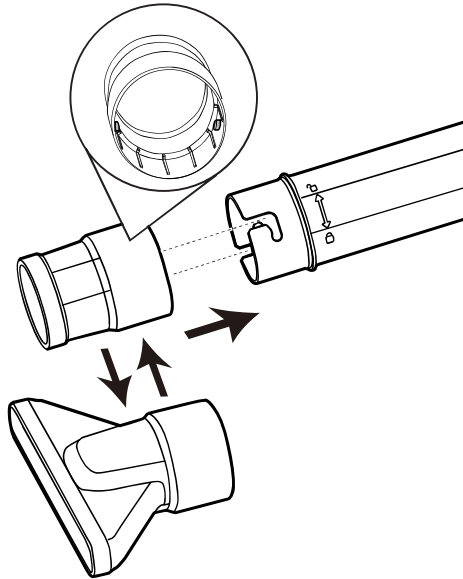
This section describes how to assemble and adjust the product.

WARNING

CAREFULLY READ AND UNDERSTAND THE SAFETY CHAPTER AND THE ASSEMBLY INSTRUCTIONS BEFORE YOU ASSEMBLE THE PRODUCT.

3.1 INSTALL THE BLOWER TUBE AND ATTACHMENT NOZZLES

The tabs located in the interior of the blower tubes and attachment nozzles fit into the slots on the blower housing and blower tubes. The speed tip or wide nozzle can be installed onto the end of the blower tubes or directly onto the blower housing outlet.



1. Slide the desired nozzle or blower tube and push them together.
2. Rotate the tube or nozzle along the lock icon to secure them in the locked position.

The steps above can be repeated to install the additional tube onto the first tube and to install an attachment nozzle onto the blower tube. No additional attachments can be installed onto the speed tip or wide nozzle.

Note: When correctly assembled, the tubes are difficult to separate. If they can easily be twisted apart, the tubes are not locked. Continue twisting together until the tubes are fully in the locked position. Tubes that are not fully locked together can separate during blower operation.

4 OPERATION

This section describes how to operate the product.

⚠ WARNING

Carefully read and understand the safety chapter and operation instructions before you operate the product.

4.1 BEFORE YOU USE THE PRODUCT

4.1.1 CONNECT THE BATTERY CHARGER

1. Connect the battery charger to the proper voltage and frequency that is specified on the rating plate.
2. Refer to the Battery Charger Operator Manual for information about how to use the battery charger.

4.1.2 CHARGE THE BATTERY

Refer to the Battery Charger Operator Manual for information about how to use the battery charger.

4.1.3 BATTERY INFORMATION

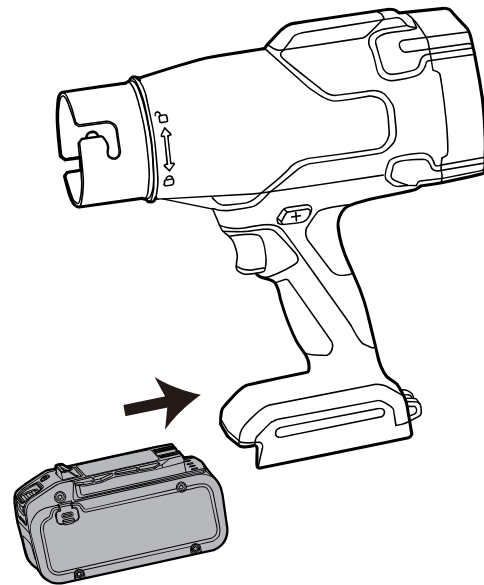
Refer to the Battery Operator Manual for information about how to use the battery.

4.1.4 CONNECT THE BATTERY TO THE PRODUCT

⚠ WARNING

Only use Greenworks original batteries with the product.

1. Make sure that the battery is fully charged.
2. Push the battery into the battery compartment. The battery locks into position when you hear a click.



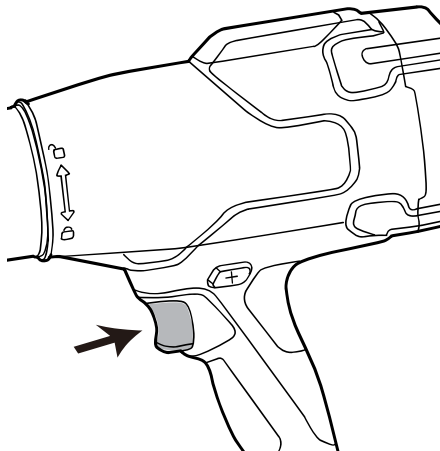
⚠ CAUTION

If the battery does not move easily into the battery compartment, it may not be installed correctly, which can cause damage to the battery and/or the product.

3. Make sure that the battery is installed correctly.

4.2 START THE PRODUCT

1. Pull the trigger to start the product.

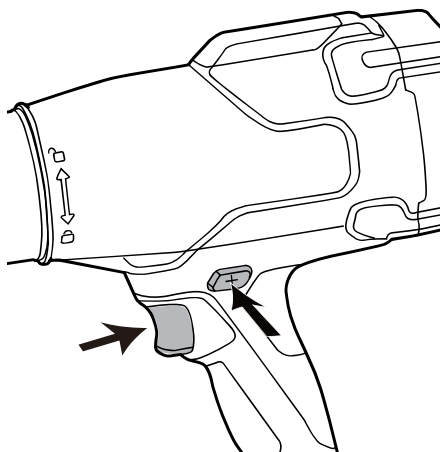


2. The variable speed trigger delivers higher air speed with increased trigger pressure and lower air speed with decreased trigger pressure.

4.3 LOCK-ON BUTTON

The product is equipped with a lock-on feature, which is convenient for continuous use for extended periods of time.

1. Pull the trigger to start the product.
2. Push in and hold the lock-on button, located on the side of the handle.

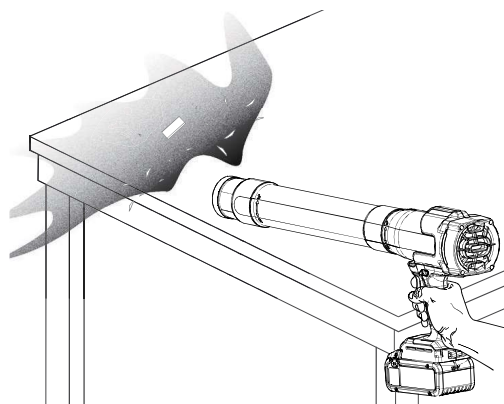


3. Release the switch trigger.
4. Release the lock-on button.
5. To disengage the lock, depress and release the switch trigger.

4.4 OPERATE THE PRODUCT

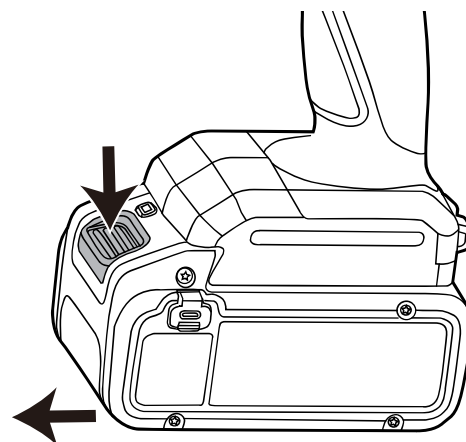
1. To keep from scattering debris, blow around the outer edges of a debris pile. Never blow directly into the center of a pile.
2. To reduce sound levels, limit the number of pieces of equipment used at any one time.
3. Watch out for children, pets, or open windows, and blow debris safely away.

4. After using blowers or other equipment, CLEAN UP! Dispose of debris properly.



4.5 STOP THE PRODUCT

1. Release the trigger.
2. Push and hold the battery release button.
3. Remove the battery from the product to fully stop its operation.



5 MAINTENANCE

IMPORTANT

Carefully read and understand the safety regulations and the maintenance instructions before you clean, repair, or do any maintenance on the product (Reference Safety regulations and maintenance instructions).

WARNING

- Remove battery or batteries from the product before you do any maintenance.
- Failure to follow proper maintenance service, using third-party replacement parts, or modifying/removing components can result in injury to the user.

5.1 MAINTENANCE SCHEDULE

The following is a list of the maintenance steps that must be performed on the product.

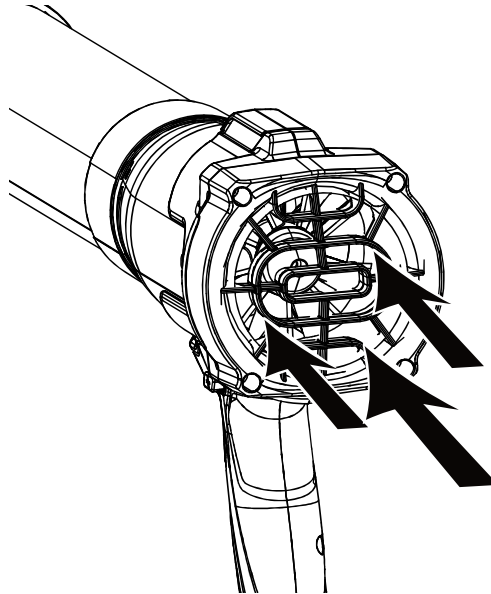
Maintenance	Daily	Weekly	Monthly
Clean the outside of the product with a clean and dry cloth. Never use water.	X		
Keep handles dry, clean, and free from oil and grease.	X		
Make sure the trigger is functioning properly.	X		
Check that nuts and screws are tight.	X		
Check that the battery is intact.	X		
Check the battery's charge.	X		
Check that the release button works and locks the battery into place.	X		
Check that the battery charger is intact and functioning properly.	X		
Inspect all couplings, connections, and cables for any damage or dirt.		X	
Check the connections between the battery and the product, as well as the connection between the battery and the battery charger.			X

5.2 CHECK THE AIR INTAKE VENT

CAUTION

A blocked air intake vent decreases the blowing capacity of the product and increases the working temperature of the motor. If the motor becomes too hot, it can result in motor failure.

1. Ensure that the air intake vent is not blocked.



2. If necessary, stop the product and remove any leaves or debris from the air intake vent.

5.3 EXAMINE THE BATTERY AND THE BATTERY CHARGER

Carefully inspect the battery, battery charger, and connection cord of the battery charger for any signs of damage, such as cracks or broken parts. Replace if necessary.

5.4 CLEAN THE PRODUCT

CAUTION

- Keep water away from battery compartment while washing to avoid damaging the electrical components.
- DO NOT clean with alcohol, gasoline, acetone, or other corrosive/volatile solvents. These substances may damage the external and internal structure of your product.
- DO NOT rub with sandpaper or metal brush.

Clean the product after each use with water, neutral detergent, and a soft cloth.

5.5 CLEAN THE BATTERY AND BATTERY CHARGER

WARNING

DO NOT CLEAN THE BATTERY OR THE BATTERY CHARGER WITH WATER.

- Make sure that the battery is clean and dry before charging.
- Make sure the battery charger and or charging adapter and cords are clean and dry.
- Clean the battery terminals with a soft and dry cloth.
- Clean the surface of the battery and the battery charger with a soft and dry cloth.

6 TRANSPORTATION, STORAGE AND DISPOSAL

6.1 TRANSPORTATION

- Any removable (electronic) parts, such as the charger and battery, should always be disconnected before transport.
- Avoid transporting the product in bad weather conditions when possible.
- Make sure to adequately cover any exposed electronic parts if transportation in adverse weather conditions is unavoidable.
- Use tape on open contacts of the battery and ensure it is securely stowed to prevent movement.
- High speeds, along with wind, and rain may force moisture into the electronic components, which can lead to temporary malfunctions or permanent defects.
- In case of malfunction occurring after transport in such conditions, remove the battery and allow all parts to air-dry when you reach your destination.

6.2 STORAGE

If the product is left unused for an extended period, proper storage maintenance is required.

- Store the product locked up to prevent unauthorized use or damage.
- Store the product in a dry, well-ventilated area.
- Store the product out of the reach of children.

6.3 DISPOSAL OF THE BATTERY, BATTERY CHARGER, AND PRODUCT

Symbols on the product or the package of the product mean that the product is not domestic waste. Recycle it at a recycling station for electrical and electronic equipment. This helps to prevent damage to the environment and persons.

Get in touch with your local authorities, domestic waste service, or your dealer for more information about how to recycle your product.

7 TROUBLESHOOTING

PROBLEM	POSSIBLE CAUSE	POSSIBLE SOLUTION
The product does not start.	The battery is not installed tightly.	Make sure that you securely inset the battery in the product.
	The battery is out of power.	Charge the battery.
	The switch is defective.	Replace the defective parts through an authorized service center.
	The motor is defective.	
The PCB board is defective.		
The air does not flow through the tube when you start the product.	The air inlet or tube outlet has a blockage.	Carefully remove the blockage.

8 TECHNICAL DATA

Voltage	24V
Air volume	270 CFM (0.13 m ³ /s)
Air speed	130 MPH (58.11 m/s)
Battery model	PA200, PA300, PA400, PA500, PA600, PA800, PA1000, PA400X, PA400T, PA500T, PA800T and other Greenworks 24V series
Charger model	AC30W1C, AC65WAD, AC10WAD, AC14WAD and other Greenworks 24V series

The recommended ambient temperature ranges:

Situation	Temperature
Product storage	32 °F (0 °C) ~ 113 °F (45 °C)
Product operation	32 °F (0 °C) ~ 113 °F (45 °C)
Battery charging	39 °F (4 °C) ~ 104 °F (40 °C)
Charger operation	39 °F (4 °C) ~ 104 °F (40 °C)
Battery storage	32 °F (0 °C) ~ 113 °F (45 °C)
Battery discharging	32 °F (0 °C) ~ 113 °F (45 °C)

9 LIMITED WARRANTY

Greenworks products and batteries are protected against all defects in materials, parts, or workmanship under normal use for a period of 3 years from the shipping date or in-store purchase date.

At its own discretion, **Greenworks** can opt to repair, replace, substitute with a comparable item, or issue a refund for products that are determined to be defective through normal use or that have been damaged during shipment. Proof of purchase and product registration is required. Replacement of products or parts subject to normal wear and tear is the responsibility of the customer.

This warranty is valid only for units which have been maintained in accordance with the instructions found in the operator manual supplied with the product; and for units which have been registered in one of the following ways:

Online: www.greenworkstools.com

Phone – 1-888-909-6757

If **Greenworks** accepts a return under warranty, you can return the defective or damaged product only after you call our Customer Care team and receive a Return Authorization from **Greenworks**. You will also receive a refund for your original shipping charges, and **Greenworks** will arrange and pay for your return shipping charges. To request a Return Authorization, please contact us at 1-888-909-6757.

9.1 ITEMS NOT COVERED BY WARRANTY

- Any part that has become inoperative due to misuse, commercial use, abuse, neglect, accident, improper maintenance, or alteration.
- The unit, if it has not been operated and/or maintained in accordance with the operator manual.
- Normal wear, except as noted below:
 - Routine maintenance items such as lubricants.
 - Normal deterioration of the exterior finish due to use or exposure.

- Any part/product, that has become inoperative due to use with any non-**Greenworks** - branded parts or batteries/chargers.

9.2 HELPLINE

Warranty service is available by calling our toll-free helpline at: 1-888-909-6757.

9.3 SHIPPING

Transportation charges for the movement of any power equipment unit or attachment are the responsibility of the purchaser. It is the purchaser's responsibility to pay transportation charges for any part submitted for replacement under this warranty unless such return is requested in writing by **Greenworks**.

9.3.1 ADDRESS**USA address:**

Greenworks North America, LLC

P.O. Box 1238 , Mooresville, NC 28115, USA

Canada address:

Greenworks Tools Canada, Inc.

67 Toll Rd., Holland Landing, ON L9N 1H2

1	Introduction.....	14			
1.1	Description du produit.....	14	5.1	Programme de maintenance.....	20
1.2	Utilisation conforme.....	14	5.2	Vérification de la grille d'aération..	20
1.3	Présentation du produit.....	14	5.3	Examen de la batterie et du	
1.4	Symboles sur le produit.....	14		chargeur de batterie.....	21
1.5	California Proposition 65.....	14	5.4	Nettoyage du produit.....	21
2	Sécurité.....	14	5.5	Nettoyez la batterie et le	
2.1	Définitions de sécurité.....	14		chargeur de batterie.....	21
2.2	Avertissements généraux sur		6	Transport, entreposage	
	la sécurité produit.....	14		et mise au rebut.....	22
2.3	Avertissements de sécurité		6.1	Transport.....	22
	de souffleuse de jardin.....	16	6.2	Entreposage.....	22
3	Assemblage.....	17	6.3	Mise au rebut de la batterie,	
3.1	Installation du tube de			du chargeur de batterie et du	
	soufflage et des buses.....	17	7	produit.....	22
4	Fonctionnement.....	17	8	Dépannage.....	22
4.1	Avant d'utiliser le produit.....	17	9	Données techniques	22
4.2	Démarrage du produit.....	18		Garantie limitée.....	23
4.3	Bouton de verrouillage.....	18	9.1	Articles non couverts par la	
4.4	Utilisation du produit.....	18		garantie.....	23
4.5	Arrêt du produit.....	18	9.2	Ligne d'assistance téléphonique...	23
5	Entretien.....	20	9.3	Expédition.....	23

FR

1 INTRODUCTION

1.1 DESCRIPTION DU PRODUIT

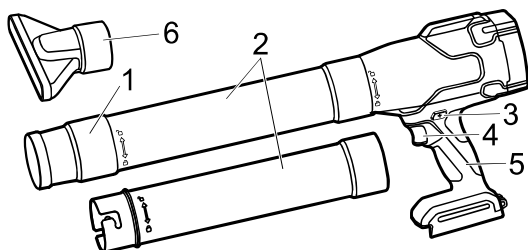
Ce produit est une souffeuse sur batterie dotée d'un moteur électrique.

Nous nous engageons à améliorer en continu nos produits et nous réservons donc le droit de modifier le design et l'apparence sans préavis.

1.2 UTILISATION CONFORME

Le produit est conçu pour débarrasser les feuilles, débris et autres matériaux des diverses surfaces comme les pelouses, allées, chemins et espaces extérieurs.

1.3 PRÉSENTATION DU PRODUIT



- 1 Embout rapide
- 2 Tube de soufflage
- 3 Bouton de verrouillage
- 4 Gâchette
- 5 Poignée surmoulée
- 6 Buse large

1.4 SYMBOLES SUR LE PRODUIT

Symbole	Explication
	Pour réduire le risque de blessure, l'utilisateur doit lire le manuel d'instructions.
	Gardez les passants à distance.
	N'exposez pas ce produit à la pluie.
	Portez des protections pour les yeux et les oreilles.
	Débranchez la batterie avant l'entretien.

1.5 CALIFORNIA PROPOSITION 65

⚠ AVERTISSEMENT

CE PRODUIT CONTIENT OU ÉMET UN PRODUIT CHIMIQUE CONNU DANS L'ÉTAT DE CALIFORNIE COMME ÉTANT UNE CAUSE DE CANCER, DE MALFORMATIONS CONGÉNITALES OU D'AUTRES PROBLÈMES DE REPRODUCTION.

2 SÉCURITÉ

2.1 DÉFINITIONS DE SÉCURITÉ

Les avertissements, précautions et notes mettent l'accent sur des parties spécialement importantes du manuel.

⚠ AVERTISSEMENT

L'OPÉRATEUR OU LES BADAUDS SONT EXPOSÉS À UN RISQUE DE BLESSURES, PARFOIS MORTELLES, SI LES INSTRUCTIONS DU MANUEL NE SONT PAS RESPECTÉES.

⚠ ATTENTION

LE PRODUIT, LE RESTE DU MATÉRIEL OU LA ZONE ADJACENTE EST EXPOSÉ À UN RISQUE DE DOMMAGES SI LES INSTRUCTIONS DU MANUEL NE SONT PAS RESPECTÉES.

Remarque : Pour un complément d'information nécessaire dans une situation donnée.

2.2 AVERTISSEMENTS GÉNÉRAUX SUR LA SÉCURITÉ PRODUIT

Avertissements généraux sur la sécurité produit

⚠ AVERTISSEMENT

Lisez tous les avertissements de sécurité, instructions, illustrations et spécifications accompagnant ce produit. Le non-respect de ces instructions peut entraîner un choc électrique, un incendie et/ou des blessures graves.

Conservez tous les avertissements et instructions pour référence ultérieure.

Le terme « produit » dans les avertissements fait référence à votre produit fonctionnant sur secteur (avec fil) ou sur BATTERIE (sans fil).

1) Sécurité de la zone de travail

- a) **Maintenez la zone de travail propre et bien éclairée.** Les endroits encombrés ou sombres favorisent les accidents.

b) **N'utilisez pas les produits dans des environnements explosifs, par exemple en présence de liquides, gaz ou poussières inflammables.** *Les produits créent des étincelles qui peuvent allumer les poussières et fumées.*

c) **Maintenez les enfants et les badauds à l'écart lorsque vous utilisez un produit.** *Les distractions peuvent vous faire perdre le contrôle.*

2) Sécurité électrique

a) **Les fiches du produit doivent correspondre à la prise. Ne modifiez jamais la prise d'aucune façon. N'utilisez pas de fiches adaptatrices avec des produits mis à la terre.** *Des prises non modifiées et leurs prises de courant respectives réduisent les risques de choc électrique.*

b) **Évitez le contact du corps avec les surfaces mises à la terre, ainsi les tuyaux, radiateurs, cuisinières et réfrigérateurs.** *Il y a un risque accru de choc électrique si votre corps est en contact avec la terre.*

c) **N'exposez pas les produits à la pluie ou à l'humidité.** *L'eau qui pénètre dans un produit augmente le risque de décharge électrique.*

d) **N'abusez pas du cordon. N'utilisez jamais le cordon pour porter, tirer ou débrancher le produit. Éloignez le cordon de la chaleur, de l'huile, des bords tranchants ou des pièces mobiles.** *Les cordons endommagés augmentent le risque d'un choc électrique.*

e) **Lorsque vous utilisez un produit en extérieur, employez une rallonge adaptée à l'usage en extérieur.** *Utiliser un câble adapté à un usage en extérieur réduit le risque de choc électrique.*

f) **Si vous ne pouvez éviter d'utiliser l'outil dans un environnement humide, employez une alimentation protégée par un dispositif de courant résiduel (DCR).** *Le respect de cette règle réduira le risque de chocs électriques.*

3) Sécurités des personnes

a) **Restez vigilant, soyez attentif à ce que vous faites et faites preuve de bon sens lorsque vous utilisez le produit. N'utilisez pas un produit lorsque vous êtes fatigué, sous l'emprise de l'alcool ou de drogues, voire après avoir pris des médicaments.** *Un moment d'inattention lors de l'utilisation des produits peut provoquer des blessures graves.*

b) **Utilisez de l'équipement de protection individuelle. Portez toujours des lunettes de protection.** *L'utilisation d'équipement de protection adapté aux conditions (masque antipoussière, chaussures de sécurité antidérapantes, casque et protections auditives etc.) permet de réduire les risques de blessures corporelles.*

c) **Évitez tout démarrage inopiné. Assurez-vous que l'interrupteur est en position arrêt avant**

toute connexion à une source d'alimentation ou à un bloc-batterie et lorsque vous prenez ou transportez le produit. *Le transport des produits avec votre doigt sur l'interrupteur ou la mise sous tension des produits dont l'interrupteur est sur marche risque de provoquer des accidents.*

d) **Retirez toute clé ou clé d'ajustement avant d'allumer le produit.** *Une clé restée sur une pièce rotative du produit peut causer des blessures.*

e) **Ne vous penchez pas trop en avant. Gardez un bon équilibre en tout temps.** *Vous maîtrisez ainsi mieux le produit dans des situations inattendues.*

f) **Habillez-vous correctement. Ne portez pas de vêtements amples ou de bijoux. Veillez à ne pas approcher vos cheveux et vos vêtements des pièces en mouvement.** *Les vêtements amples, les bijoux et les cheveux longs peuvent se prendre dans les pièces en mouvement.*

g) **Si des dispositifs sont prévus pour la connexion de système d'extraction et de collecte de poussière, assurez-vous de leur connexion et de leur usage corrects.** *L'utilisation de dispositifs de récupération des poussières permet de réduire les risques liés aux poussières.*

h) **Ne laissez pas l'habitude des fréquentes utilisations des produits vous rendre complaisant et vous faire ignorer les principes de sécurité des outils.** *Une action négligente peut provoquer de graves blessures en une fraction de seconde.*

4) Usage et entretien du produit

a) **Ne forcez pas sur le produit. Utilisez le produit correct pour votre application.** *Le produit correct fera mieux le travail en toute sécurité au rythme pour lequel il a été conçu.*

b) **N'utilisez pas le produit si l'interrupteur ne le met pas sous et hors tension.** *Tout produit qui ne peut pas être contrôlé avec l'interrupteur est dangereux et doit être réparé.*

c) **Déconnectez la prise de la source d'alimentation ou retirez du produit le bloc-batterie, s'il est amovible, avant d'effectuer des ajustements, de changer d'accessoire ou de ranger les produits.** *Ces mesures de sécurité préventives réduisent le risque de démarrage accidentel du produit.*

d) **Rangez les produit à l'arrêt hors de portée des enfants et ne laissez pas quiconque qui ne serait pas familiarisé avec le produit ou ces instructions l'utiliser.** *Les produits sont dangereux dans les mains d'utilisateurs non formés.*

e) **Assurez la maintenance des produits et accessoires. Vérifiez qu'aucune pièce mobile n'est désalignée, grippée ou cassée et soyez attentif à toute autre condition qui pourrait affecter le fonctionnement du produit.** *S'il est*

endommagé, faites réparer le produit avant de l'utiliser. *De nombreux accidents sont le fruit d'une maintenance inappropriée des produits.*

f) **Maintenez les outils de coupe propres et affûtés.** *Les outils de coupe bien entretenus avec des bords tranchants sont moins susceptibles de se coincer et sont plus faciles à contrôler.*

g) **Utilisez le produit, les accessoires, les embouts, etc. conformément à ces instructions, en tenant compte des conditions de travail et des travaux à effectuer.** *L'utilisation du produit pour des opérations différentes de celles prévues pourrait créer une situation dangereuse.*

h) **Maintenez les poignées et surfaces de saisie sèches, propres et sans huile ni graisse.** *Les poignées et surfaces de prise glissantes ne permettent pas de manipuler et de contrôler l'outil dans des situations inattendues.*

5) Utilisation et entretien des outils à batterie

a) **Rechargez uniquement avec le chargeur spécifié par le fabricant.** *Un chargeur adapté à un type de bloc-batterie peut créer un risque d'incendie lorsqu'il est utilisé avec un autre bloc-batterie.*

b) **Utilisez les produits uniquement avec les bloc-batteries spécifiquement conçus.** *L'utilisation de tous autres bloc-batteries peut créer un risque de blessure et d'incendie.*

c) **Lorsque le bloc-batterie n'est pas utilisé, éloignez-le des autres objets métalliques, comme les attaches trombones, pièces de monnaie, clés, clous, vis ou autres petits objets métalliques, qui peuvent établir une connexion entre deux bornes.** *Le court-circuitage des bornes de la batterie peut provoquer des brûlures ou un incendie.*

d) **En cas d'abus, du liquide peut être éjecté hors de la batterie : évitez tout contact. En cas de contact accidentel, rincez avec de l'eau. En cas de contact avec les yeux, consultez également un médecin.** *Le liquide s'échappant des batteries peut causer des irritations ou des brûlures.*

e) **N'utilisez pas un produit ou un bloc-batterie endommagé ou modifié.** *Les batteries endommagées ou modifiées peuvent présenter un fonctionnement imprévisible et provoquer un incendie, une explosion ou un risque de blessure.*

f) **N'exposez pas un produit ou un bloc-batterie au feu ou à une température excessive.** *L'exposition au feu ou une température supérieure à 130 °C (265 °F) peut provoquer une explosion.*

g) **Suivez toutes les instructions de charge et ne chargez pas le bloc-batterie ou le produit en dehors de la plage de température spécifiée dans les instructions.** *Un rechargement incorrect ou à des températures en dehors de la plage spécifiée peut endommager la batterie et augmenter le risque d'incendie.*

6) Entretien

a) **Faites effectuer l'entretien de votre produit par un réparateur qualifié utilisant uniquement des pièces de rechange identiques.** *Cela garantira le maintien de la sécurité du produit.*

b) **N'effectuez jamais l'entretien d'un bloc-batterie endommagé.** *L'entretien d'une batterie ne doit être effectué que par le fabricant ou des fournisseurs de service agréés.*

2.3 AVERTISSEMENTS DE SÉCURITÉ DE SOUFFLEUSE DE JARDIN

Avertissements de sécurité de souffeuse de jardin

a) **N'utilisez pas le produit par mauvais temps, spécialement en cas de risque de foudre.** *Cela diminue le risque d'être frappé par la foudre.*

b) **Portez une protection oculaire et auditive.** *Un équipement de protection adéquat réduira les risques de blessures.*

c) **Lorsque vous utilisez le produit, portez systématiquement des chaussures antidérapantes et protectrices. N'utilisez pas le produit si vous êtes pieds nus ou avec des sandales ouvertes.** *Vous réduisez ainsi le risque de blessures aux pieds.*

d) **Ne portez pas des vêtements amples ou des articles comme des écharpes, chaînes, cravates, etc. susceptibles d'être happés dans les entrées d'air. Attachez les cheveux longs pour vous assurer qu'ils ne sont pas aspirés dans les entrées d'air.** *Si l'un quelconque de ces éléments est aspiré dans les entrées d'air, il peut accroître le risque de blessures.*

e) **Maintenez les badauds à l'écart lorsque vous utilisez le produit.** *Les débris projetés peuvent accroître le risque de blessures.*

f) **Ne pointez jamais la buse de la souffeuse dans la direction des personnes, animaux de compagnie ou fenêtres. Faites spécialement attention en soufflant des débris à proximité d'objets solides, comme un arbre, une automobile ou un mur, susceptibles de causer un ricochet de débris.** *Les objets projetés peuvent endommager les biens et accroître le risque de blessures.*

g) **N'utilisez pas le produit pour souffler quoi que ce soit qui brûle ou fume, comme des cigarettes, allumettes ou cendres chaudes.** *Ces sources d'allumage peuvent augmenter le risque d'incendie.*

h) **Ne touchez pas le ventilateur encore en mouvement. Éteignez le produit et attendez l'arrêt du ventilateur avant de retirer une quelconque pièce pouvant donner accès au ventilateur.** *Cela permet de réduire le risque de blessures dues aux pièces mobiles.*

i) Lorsque vous retirez les matériaux coincés ou procédez à l'entretien du produit, assurez-vous que l'interrupteur d'alimentation est sur arrêt. Une mise en marche inattendue du produit lors de l'élimination de blocages ou de l'entretien peut entraîner des blessures graves.

3 ASSEMBLAGE

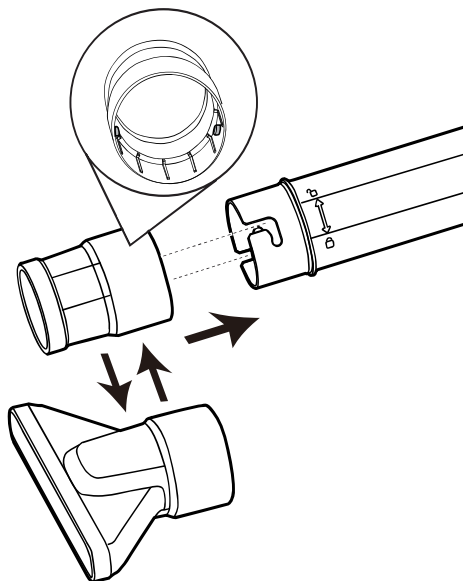
Cette section décrit la méthode d'assemblage et de réglage du produit.

⚠ AVERTISSEMENT

VOUS DEVEZ AVOIR LU ATTENTIVEMENT ET COMPRIS LE CHAPITRE SÉCURITÉ ET LES INSTRUCTIONS D'ASSEMBLAGE AVANT D'ASSEMBLER LE PRODUIT.

3.1 INSTALLATION DU TUBE DE SOUFLAGE ET DES BUSES

Les languettes situées à l'intérieur des tubes de soufflage et des buses s'insèrent dans les fentes du boîtier et des tubes de soufflage. L'embout rapide ou la buse large peut être installé à l'extrémité des tubes de soufflage ou directement sur la sortie du boîtier.



1. Insérez la buse ou le tube de soufflage souhaité et assemblez-les.
2. Tournez le tube ou la buse le long de l'icône de verrouillage pour les verrouiller.

Les étapes ci-dessus peuvent être répétées pour installer le tube supplémentaire sur le premier tube et pour installer une buse sur le tube de soufflage. Aucun accessoire supplémentaire ne peut être installé sur l'embout rapide ou la buse large.

Remarque : Lorsqu'ils sont correctement assemblés, les tubes sont difficiles à séparer. S'ils peuvent être facilement dévissés, cela signifie qu'ils ne sont pas

verrouillés. Continuez à les visser jusqu'à ce qu'ils soient complètement verrouillés. Les tubes qui ne sont pas complètement verrouillés peuvent se séparer pendant le fonctionnement de la souffleuse.

4 FONCTIONNEMENT

Cette section décrit le mode d'emploi du produit.

⚠ AVERTISSEMENT

Vous devez avoir lu attentivement et compris le chapitre Sécurité et les instructions d'utilisation avant d'utiliser le produit.

4.1 AVANT D'UTILISER LE PRODUIT

4.1.1 CONNEXION DU CHARGEUR DE BATTERIE

1. Connectez le chargeur de batterie uniquement à la tension et la fréquence spécifiées sur la plaque signalétique.
2. Référez-vous au Manuel opérateur du chargeur de batterie pour le mode d'emploi du chargeur de batterie.

4.1.2 RECHARGEZ LA BATTERIE

Référez-vous au Manuel opérateur du chargeur de batterie pour le mode d'emploi du chargeur de batterie.

4.1.3 RENSEIGNEMENTS SUR LA BATTERIE

Référez-vous au Manuel opérateur de la batterie pour le mode d'emploi de la batterie.

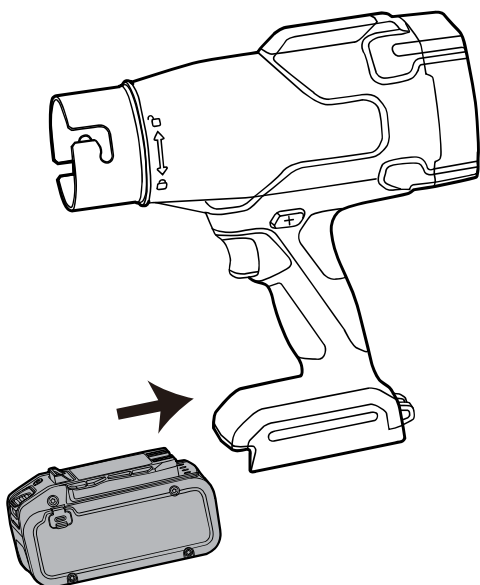
4.1.4 CONNECTEZ LA BATTERIE AU PRODUIT

⚠ AVERTISSEMENT

Utilisez uniquement Greenworks la batterie d'origine avec le produit.

1. Assurez-vous que la batterie est complètement chargée.
2. Insérez la batterie dans le compartiment à batterie. La batterie se verrouille en position lorsque vous entendez un déclic.

FR



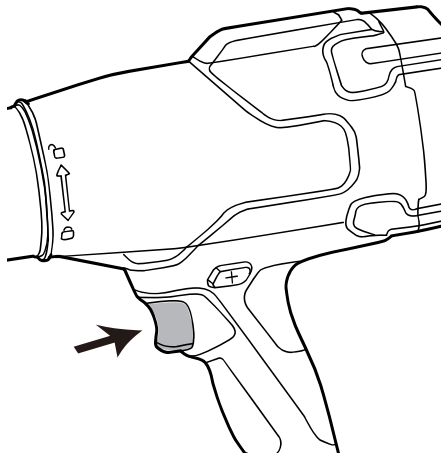
⚠ ATTENTION

Si la batterie ne s'insère pas facilement dans le compartiment à batterie, elle n'est peut-être pas installée correctement, ce qui peut endommager la batterie et/ou le produit.

3. Assurez-vous que la batterie est correctement installée.

4.2 DÉMARRAGE DU PRODUIT

1. Appuyez sur la gâchette pour démarrer le produit.



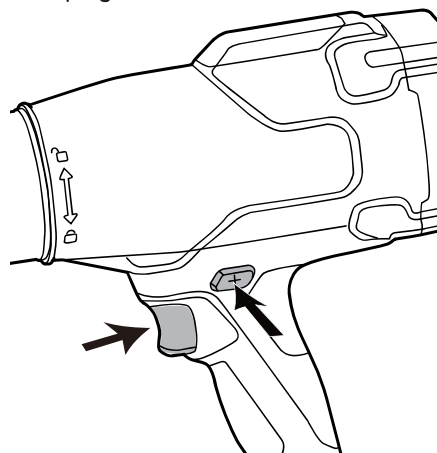
2. La gâchette à vitesse variable permet d'augmenter la vitesse de l'air en augmentant la pression de la gâchette et de réduire la vitesse de l'air en diminuant la pression de la gâchette.

4.3 BOUTON DE VERROUILLAGE

Le produit est équipé d'une fonction de verrouillage, pratique pour une utilisation continue pendant de longues périodes.

1. Appuyez sur la gâchette pour démarrer le produit.

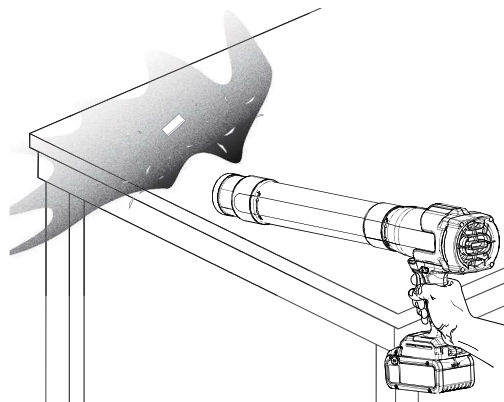
2. Appuyez sur le bouton de verrouillage situé sur le côté de la poignée et maintenez-le enfoncé.



3. Relâchez la gâchette.
4. Relâchez le bouton de verrouillage.
5. Pour désactiver le verrouillage, appuyez sur la gâchette et relâchez-la.

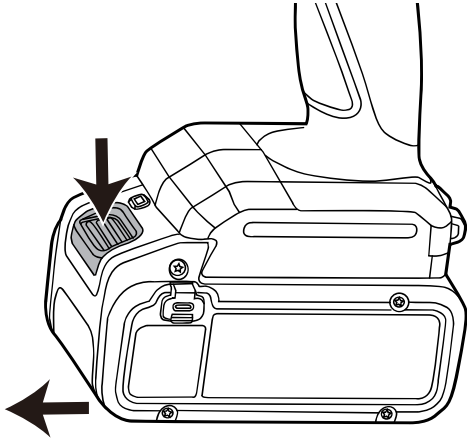
4.4 UTILISATION DU PRODUIT

1. Pour éviter de disperser les débris, soufflez sur les bords extérieurs d'un tas de débris. Ne soufflez jamais directement au centre d'un tas.
2. Pour réduire le niveau sonore, limitez le nombre d'appareils utilisés simultanément.
3. Faites attention aux enfants, aux animaux domestiques et aux fenêtres ouvertes, et soufflez les débris en toute sécurité.
4. Après avoir utilisé une souffleuse ou tout autre appareil, NETTOYEZ ! Jetez les débris correctement.



4.5 ARRÊT DU PRODUIT

1. Relâchez la gâchette.
2. Appuyez sur le bouton de déverrouillage de la batterie et maintenez-le enfoncé.
3. Retirez la batterie du produit pour l'arrêter complètement.



5 ENTRETIEN

FR

IMPORTANT

Vous devez avoir lu attentivement et compris les règles de sécurité et les instructions de maintenance avant de nettoyer, de réparer ou d'effectuer des travaux de maintenance sur le produit (Voir les règles de sécurité et les consignes d'entretien).

AVERTISSEMENT

- Retirez la ou les batteries du produit avant d'effectuer une quelconque maintenance.
- Le non-respect des procédures de maintenance correctes, l'usage de pièces de rechange de tiers ou la modification /dépose de composants risque de blesser l'utilisateur.

5.1 PROGRAMME DE MAINTENANCE

La liste suivante indique les étapes de maintenance à effectuer sur le produit.

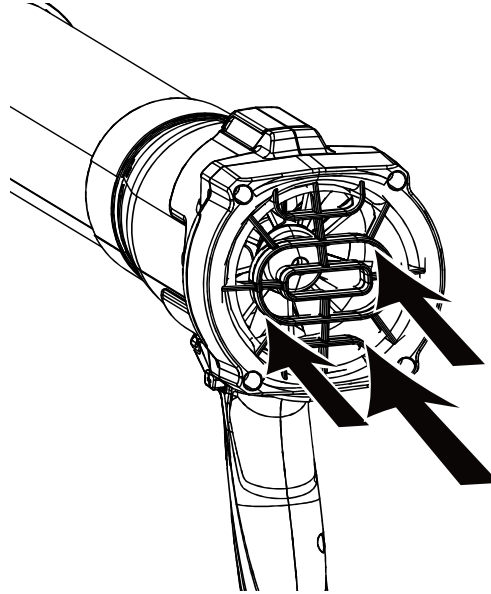
Entretien	Quotidien	Hebdomadaire	Mensuel
Séchez l'extérieur du produit avec un chiffon propre et sec. N'utilisez jamais d'eau.	X		
Veillez à ce que les poignées restent propres, sèches et exemptes d'huile et de graisse.	X		
Assurez-vous du fonctionnement correct de la gâchette.	X		
Contrôlez le serrage de tous les écrous et vis.	X		
Vérifiez que la batterie est intacte.	X		
Vérifiez la charge de la batterie.	X		
Vérifiez que le bouton de libération fonctionne et verrouille la batterie en place.	X		
Vérifiez que le chargeur de batterie est intact et fonctionne correctement.	X		
Recherchez les dégâts et la saleté sur tous les accouplements, connexions et câbles.		X	
Vérifiez les connexions entre la batterie et le produit ainsi que celle entre la batterie et le chargeur de batterie.			X

5.2 VÉRIFICATION DE LA GRILLE D'AÉRATION

ATTENTION

Une grille d'aération obstruée diminue la capacité de soufflage du produit et augmente la température de fonctionnement du moteur. Une surchauffe du moteur peut entraîner une panne.

1. Assurez-vous que la grille d'aération n'est pas obstruée.



2. Si nécessaire, arrêtez le produit et retirez les feuilles ou débris de la grille d'aération.

5.3 EXAMEN DE LA BATTERIE ET DU CHARGEUR DE BATTERIE

Inspectez soigneusement la batterie, le chargeur de batterie et le cordon de connexion du chargeur de batterie pour détecter les signes de dommage comme les fissures ou les pièces endommagées. Remplacez si nécessaire.

5.4 NETTOYAGE DU PRODUIT

ATTENTION

- Maintenez l'eau à l'écart du compartiment de batterie pendant le nettoyage pour éviter d'endommager les composants électriques.
- NE NETTOYEZ PAS avec de l'alcool, de l'essence, de l'acétone ou d'autres solvants corrosifs /volatils. Ces substances peuvent endommager la structure externe et interne de votre produit.
- NE FROTTEZ PAS avec du papier de verre ou une brosse métallique.

Nettoyez le produit après chaque utilisation avec de l'eau, un détergent neutre et un chiffon doux.

5.5 NETTOYEZ LA BATTERIE ET LE CHARGEUR DE BATTERIE

AVERTISSEMENT

NE NETTOYEZ PAS LA BATTERIE OU LE CHARGEUR DE BATTERIE AVEC DE L'EAU.

- Assurez-vous que la batterie est propre et sèche avant de la charger.
- Assurez-vous que le chargeur, l'adaptateur et les câbles sont propres et secs.
- Nettoyez les bornes de la batterie avec un chiffon doux et sec.
- Nettoyez la surface de la batterie et du chargeur de batterie avec un chiffon sec et doux.

6 TRANSPORT, ENTREPOSAGE ET MISE AU REBUT

FR

6.1 TRANSPORT

- Toutes les pièces (électroniques) amovibles, comme le chargeur et la batterie, devraient être systématiquement déconnectées avant le transport.
- Évitez de transporter le produit par mauvais temps, si possible.
- Assurez-vous de couvrir adéquatement toutes les pièces électroniques exposées si le transport par mauvais temps est inévitable.
- Utilisez du ruban sur les contacts ouverts de la batterie et assurez-vous qu'elle est rangée en toute sécurité pour éviter tout mouvement.
- Les vitesses élevées combinées à la pluie et au vent pourraient forcer l'humidité dans les composants électroniques, entraînant des dysfonctionnements temporaires ou des défaillances permanentes.
- En cas de dysfonctionnement après le transport sous ces conditions, retirez la batterie et laissez les pièces sécher à l'air libre une fois arrivé à destination.

6.2 ENTREPOSAGE

Si le produit n'est pas utilisé pendant une période prolongée, une maintenance de stockage appropriée est nécessaire.

- Rangez le produit verrouillé pour éviter tout usage sans autorisation et tout dommage.
- Rangez le produit dans un endroit sec et bien ventilé.
- Rangez le produit hors de portée des enfants.

6.3 MISE AU REBUT DE LA BATTERIE, DU CHARGEUR DE BATTERIE ET DU PRODUIT

Les symboles sur le produit ou son emballage signifient que le produit n'est pas un déchet ménager. Recyclez-le auprès du point de recyclage destiné aux équipements électriques et électroniques. Vous contribuez ainsi à protéger l'environnement et les personnes.

Contactez vos autorités locales, le service de traitement des déchets ménagers ou votre revendeur pour en savoir plus sur la manière de recycler votre produit.

7 DÉPANNAGE

PROBLÈME	CAUSE POSSIBLE	SOLUTION POSSIBLE
Le produit ne démarre pas.	La batterie n'est pas fixée correctement.	Assurez-vous d'insérer la batterie en toute sécurité dans le produit.
	La batterie est déchargée.	Rechargez la batterie.
	L'interrupteur est défectueux.	Faites remplacer les pièces défectueuses par un centre d'entretien agréé.
	Le moteur est défectueux.	
	La carte de circuit imprimé est défectueuse.	

PROBLÈME	CAUSE POSSIBLE	SOLUTION POSSIBLE
L'air ne circule pas dans le tube lorsque vous démarrez le produit.	L'entrée d'air ou la sortie du tube est obstruée.	Éliminez prudemment le blocage.

8 DONNÉES TECHNIQUES

Voltage	24V
Volume d'air	270 CFM (0.13 m ³ /s)
Vitesse indiquée	130 MPH (58.11 m/s)
Modèle de batterie	PA200, PA300, PA400, PA500, PA600, PA800, PA1000, PA400X, PA400T, PA500T, PA800T et autres séries Greenworks 24V
Chargeur modèle	AC30W1C, AC65WAD, AC10WAD, AC14WAD et autres séries Greenworks 24V

La plage de température ambiante recommandée est de :

Situation	Température
Entreposage de produit	32 °F (0 °C) ~ 113 °F (45 °C)
Fonctionnement de produit	32 °F (0 °C) ~ 113 °F (45 °C)
Charge de batterie	39 °F (4 °C) ~ 104 °F (40 °C)
Fonctionnement de chargeur	39 °F (4 °C) ~ 104 °F (40 °C)
Entreposage de batterie	32 °F (0 °C) ~ 113 °F (45 °C)
Décharge de batterie	32 °F (0 °C) ~ 113 °F (45 °C)

9 GARANTIE LIMITÉE

Greenworks Les produits et batteries sont couverts contre les défauts de matériaux, de pièces et de main-d'œuvre pour un usage normal sur une période de 3 ans à compter de la date d'expédition ou de la date d'achat en magasin.

À son entière discrétion, **Greenworks** peut choisir de réparer, de remplacer, de substituer par un article comparable ou d'émettre un remboursement pour les produits déterminés comme défectueux dans le cadre d'un usage normal ou endommagés durant l'expédition. Une preuve d'achat et d'enregistrement du produit est nécessaire. Le remplacement des produits ou pièces soumis à une usure et un vieillissement normaux incombe au client.

Cette garantie est valide uniquement pour les unités ayant bénéficié d'un entretien conforme aux instructions du manuel opérateur accompagnant le produit et pour les unités dûment enregistrées selon l'une des méthodes suivantes :

En ligne : www.greenworkstools.com

Téléphone - 1-888-909-6757

Si **Greenworks** accepte un retour sous garantie, vous ne pouvez renvoyer le produit défectueux ou endommagé qu'après avoir appelé notre service clientèle et reçu une autorisation de retour de la part de **Greenworks**. Vous recevrez également un remboursement de vos frais d'expédition initiaux, et **Greenworks** organisera et paiera les frais de retour. Pour demander une autorisation de retour, veuillez nous contacter à l'adresse suivante 1-888-909-6757.

9.1 ARTICLES NON COUVERTS PAR LA GARANTIE

- Toute pièce devenue inopérante en raison d'une mauvaise utilisation, d'une utilisation commerciale, d'un abus, d'une négligence, d'un accident, d'un entretien inapproprié ou d'une altération.
- L'unité si elle n'a pas été utilisée ou entretenue conformément au manuel de l'opérateur.
- Usure normale, sauf comme indiqué ci-dessous :
 - Articles d'entretien de routine comme les lubrifiants.
 - Détérioration normale du fini extérieur due à l'utilisation ou à l'exposition.
 - Tout produit/pièce devenu inopérant du fait de l'usage de pièces ou batteries/chargeurs qui ne seraient pas de marque **Greenworks**.

9.2 LIGNE D'ASSISTANCE TÉLÉPHONIQUE

Le service de garantie est accessible en appelant notre ligne d'assistance téléphonique sans frais, au : 1-888-909-6757.

9.3 EXPÉDITION

Les frais de transport pour le déplacement de tout équipement motorisé ou accessoire sont à la charge de l'acheteur. Il incombe à l'acheteur de payer les frais de transport pour toute pièce retournée pour remplacement en vertu de la présente garantie, à moins qu'un tel retour ne soit demandé par écrit par **Greenworks**.

9.3.1 ADRESSE

Adresse aux États-Unis :

Greenworks North America, LLC

P.O. Box 1238 , Mooresville, NC 28115, USA

Adresse au Canada :

Greenworks Tools Canada, Inc.

67 Toll Rd., Holland Landing, ON L9N 1H2

1	Introducción.....	25	5.2	Comprobación de la rejilla de entrada de aire.....	31
1.1	Descripción del producto.....	25	5.3	Examen de la batería y el cargador de batería.....	32
1.2	Uso previsto.....	25	5.4	Limpieza del producto.....	32
1.3	Presentación del producto.....	25	5.5	Limpieza de la batería y el cargador de baterías.....	32
1.4	Símbolos en el producto.....	25			
1.5	Propuesta 65 de California.....	25	6	Transporte, almacenamiento y eliminación.....	33
2	Seguridad.....	25	6.1	Transporte.....	33
2.1	Definiciones de seguridad.....	25	6.2	Almacenamiento.....	33
2.2	Advertencias generales sobre seguridad del producto.....	25	6.3	Eliminación de la batería, el cargador de baterías y el producto.....	33
2.3	Advertencias de seguridad para sopladores de jardín.....	27	7	Solución de problemas.....	33
3	Montaje.....	28	8	Datos técnicos	33
3.1	Instalación del tubo soplador y los accesorios de boquilla.....	28	9	Garantía limitada.....	34
4	Funcionamiento.....	28	9.1	Artículos no cubiertos por la garantía.....	34
4.1	Antes de utilizar el producto.....	28	9.2	Línea de asistencia telefónica.....	34
4.2	Ponga el producto en marcha.....	29	9.3	Envío.....	34
4.3	Botón de bloqueo de encendido...	29			
4.4	Uso del producto.....	29			
4.5	Parada del producto.....	29			
5	Mantenimiento.....	31			
5.1	Programa de mantenimiento.....	31			

1 INTRODUCCIÓN

1.1 DESCRIPCIÓN DEL PRODUCTO

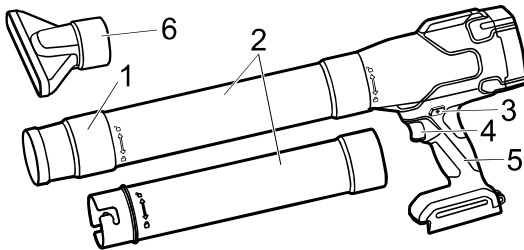
Este producto es un soplador con funcionamiento a batería que dispone de un motor eléctrico.

Nos comprometemos a mejorar continuamente nuestros productos y nos reservamos el derecho a modificar el diseño y el aspecto sin previo aviso.

1.2 USO PREVISTO

El producto se ha diseñado para limpiar hojas, residuos y otros materiales de diversas superficies, como césped, calzadas, caminos y espacios exteriores.

1.3 PRESENTACIÓN DEL PRODUCTO



- 1 Boquilla de velocidad
- 2 Tubo soplador
- 3 Botón de bloqueo de encendido
- 4 Gatillo
- 5 Mango sobremoldeado
- 6 Boquilla ancha

1.4 SÍMBOLOS EN EL PRODUCTO

Símbolo	Explicación
	Para reducir el riesgo de lesiones, el usuario debe leer el manual de instrucciones.
	Mantenga alejados a los transeúntes.
	No exponer a la lluvia.
	Utilice protección para los ojos y los oídos.
	Desconecte la batería antes del mantenimiento.

1.5 PROPUESTA 65 DE CALIFORNIA

⚠ AVISO

ESTE PRODUCTO CONTIENE O EMITE UNA SUSTANCIA QUÍMICA CONOCIDA EN EL ESTADO DE CALIFORNIA COMO CAUSANTE DE CÁNCER O DEFECTOS DE NACIMIENTO U OTROS DAÑOS REPRODUCTIVOS.

2 SEGURIDAD

2.1 DEFINICIONES DE SEGURIDAD

Las advertencias, precauciones y notas se utilizan para señalar partes especialmente importantes del manual.

⚠ AVISO

EXISTE UN RIESGO DE LESIONES O MUERTE PARA EL OPERARIO O PARA OTRAS PERSONAS SI NO SE RESPETAN LAS INSTRUCCIONES DEL MANUAL.

⚠ PRECAUCIÓN

EXISTE UN RIESGO DE DAÑOS AL PRODUCTO, OTROS DAÑOS MATERIALES O EN LA ZONA ADYACENTE SI NO SE RESPETAN LAS INSTRUCCIONES DEL MANUAL.

Nota: Se utiliza para ofrecer más información de la necesaria en una situación determinada.

2.2 ADVERTENCIAS GENERALES SOBRE SEGURIDAD DEL PRODUCTO

Advertencias generales sobre seguridad del producto

⚠ AVISO

Lea todas las advertencias de seguridad, instrucciones, ilustraciones y especificaciones que se proporcionan con este producto. El incumplimiento de las instrucciones indicadas a continuación puede provocar descargas eléctricas, incendios o lesiones graves.

Guarde todas las advertencias e instrucciones para su consulta posterior.

El término "producto" empleado en las advertencias se refiere a su producto con funcionamiento de red (con cable) o producto con funcionamiento a BATERÍA (inalámbrico).

1) Seguridad de la zona de trabajo

- a) **Mantenga limpia y bien iluminada la zona de trabajo.** *Las zonas desordenadas u oscuras fomentan los accidentes.*
- b) **No utilice los productos en atmósferas explosivas, como en la presencia de líquidos, gases o polvo que puedan inflamarse.** *Los productos generan chispas que pueden encender el polvo o los gases.*
- c) **Mantenga alejados a los niños y los transeúntes mientras utilice un producto.** *Las distracciones pueden hacer que pierda el control.*

2) Seguridad eléctrica

- a) **Los enchufes del producto deben corresponder con la toma de corriente. Nunca modifique el enchufe en modo alguno. No utilice enchufes adaptadores con productos que tengan toma de tierra.** *La utilización de enchufes no modificados y de tomas de corriente adecuadas reducirá el riesgo de descarga eléctrica.*
- b) **Evite el contacto del cuerpo con superficies conectadas a tierra, como tuberías, radiadores, estufas y refrigeradores.** *Existe un riesgo aumentado de descarga eléctrica si su cuerpo está conectado a tierra.*
- c) **No exponga los productos a la lluvia ni a condiciones de humedad.** *Si penetra agua en un producto, aumentará el riesgo de descarga eléctrica.*
- d) **No abuse del cable. Nunca utilice el cable para transportar, tirar o desenchufar el producto. Mantenga el cable alejado del calor, el aceite, los bordes afilados o las piezas móviles.** *Los cables dañados o enredados aumentan el riesgo de descarga eléctrica.*
- e) **Cuando utilice un producto en exteriores, utilice un cable alargador adecuado para uso en exterior.** *La utilización de un cable adecuado para uso en exterior reduce el riesgo de descarga eléctrica.*
- f) **Si es inevitable el uso de un producto en un lugar húmedo, utilice un suministro protegido por un dispositivo de corriente residual (RCD).** *La utilización de un RCD reduce el riesgo de descarga eléctrica.*

3) Seguridad personal

- a) **Manténgase alerta, observe lo que está haciendo y emplee el sentido común cuando utilice un producto. No utilice un producto mientras esté cansado o bajo la influencia de drogas, alcohol o medicamentos.** *Un momento de inatención durante el uso de los productos puede provocar lesiones personales graves.*
- b) **Utilice equipos de protección personal. Lleve siempre protección ocular.** *Si se utilizan equipos de protección como máscaras antipolvo, zapatos de seguridad antideslizantes, cascos o protecciones*

auditivas en las condiciones adecuadas, se reducirán las lesiones personales.

- c) **Evite el arranque accidental. Asegúrese de que el interruptor esté en la posición de apagado antes de conectar a la fuente de alimentación o a la batería y al coger o transportar el producto.** *El transporte de los productos con el dedo en el interruptor o la conexión de un producto que tiene el interruptor activado fomenta los accidentes.*
- d) **Retire cualquier llave de ajuste antes de encender el producto.** *Una llave que se quede fijada a una pieza giratoria del producto puede provocar lesiones personales.*
- e) **No se estire. Mantenga en todo momento una postura adecuada y el equilibrio.** *Esto permite un mejor control del producto en situaciones inesperadas.*
- f) **Lleve indumentaria adecuada. No lleve ropa o joyas sueltas. Mantenga el cabello y la ropa lejos de las piezas móviles.** *La ropa suelta, las joyas o el cabello largo pueden quedar atrapados en las piezas móviles.*
- g) **Si se utilizan dispositivos para la conexión de sistemas de extracción y recogida de polvo, asegúrese de que estén conectados y se utilicen correctamente.** *La utilización de sistemas de recogida de polvo puede reducir los riesgos relacionados con el polvo.*
- h) **No permita que la familiaridad adquirida con el uso frecuente de los productos le permita confiarse e ignorar los principios de seguridad de las herramientas.** *Una acción descuidada puede provocar lesiones graves en una fracción de segundo.*

4) Uso y cuidado del producto

- a) **No fuerce el producto. Utilice el producto correcto para su aplicación.** *El producto correcto hará el trabajo mejor y con mayor seguridad a la velocidad para la que se diseñó.*
- b) **No utilice el producto si el interruptor de encendido no lo enciende y apaga.** *Cualquier producto que no pueda controlarse con el interruptor es peligroso y debe repararse.*
- c) **Desconecte el enchufe de la fuente de alimentación o retire la batería, si es extraíble, del producto antes de realizar ajustes, cambiar accesorios o almacenar productos.** *Estas medidas de seguridad preventivas reducen el riesgo de que el producto se ponga en marcha accidentalmente.*
- d) **Almacene los productos inactivos fuera del alcance de los niños y no permita que personas que no estén familiarizadas con el producto o estas instrucciones puedan utilizarlo.** *Los productos son peligrosos en manos de usuarios inexpertos.*

e) **Realice el mantenimiento de los productos y accesorios. Compruebe si hay desalineación o unión de las piezas móviles, rotura de piezas y cualquier otra condición que pueda afectar al funcionamiento del producto. Si ha sufrido daños, lleve a reparar el producto antes del uso.** *Numerosos accidentes se deben a productos mal mantenidos.*

f) **Mantenga limpias y afiladas las herramientas de corte.** *Las herramientas de corte mantenidas correctamente con filos cortantes tienen menos probabilidades de atascarse y son más fáciles de controlar.*

g) **Utilice el producto, los accesorios, las brocas, etc., de acuerdo con estas instrucciones, teniendo en cuenta las condiciones de trabajo y el trabajo a realizar.** *El uso del producto para operaciones distintas de las previstas podría dar lugar a una situación peligrosa.*

h) **Mantenga las asas y las superficies de agarre secas, limpias y sin restos de aceite y grasa.** *Las asas y las superficies de agarre resbaladizas no permiten un manejo y control seguros de la herramienta en situaciones inesperadas.*

5) Utilización y cuidado de herramientas a batería

a) **Recargue solo con el cargador especificado por el fabricante.** *Un cargador adecuado para un tipo de batería crea a un riesgo de incendio cuando se utiliza con otro tipo de batería.*

b) **Utilice los productos únicamente con las baterías designadas específicamente.** *El uso de cualquier otra batería puede dar lugar a un riesgo de lesiones e incendio.*

c) **Cuando la batería no esté en uso, manténgala alejada de otros objetos metálicos como clips, monedas, llaves, clavos, tornillos u otros objetos metálicos pequeños que puedan hacer una conexión entre los terminales.** *El cortocircuito de los terminales de la batería puede provocar quemaduras o un incendio.*

d) **Bajo condiciones abusivas, es posible que salga líquido de la batería; evite el contacto. En caso de un contacto accidental, lavar con abundante agua. Si el líquido entra en contacto con los ojos, busque también atención médica.** *El líquido de la batería puede provocar irritación o quemaduras.*

e) **No utilice una batería o un producto que haya sufrido daños o modificaciones.** *Las baterías dañadas o modificadas pueden exhibir un comportamiento impredecible que puede causar un incendio, una explosión o un riesgo de lesiones.*

f) **No exponga la batería ni el producto al fuego ni a una temperatura excesiva.** *La exposición al fuego o a una temperatura superior a 130 °C (265 °F) puede provocar una explosión.*

g) **Siga todas las instrucciones de carga y no cargue la batería ni el producto fuera del intervalo de temperatura especificado en las instrucciones.** *La carga incorrecta o a temperaturas fuera del intervalo especificado puede dañar la batería y aumentar el riesgo de incendio.*

6) Servicio

a) **Solicite a un técnico de reparación cualificado que realice las tareas de servicio de su producto utilizando únicamente piezas de repuesto idénticas.** *Esto garantizará el mantenimiento de la seguridad del producto.*

b) **Nunca repare las baterías dañadas.** *La reparación de las baterías únicamente debe ser realizada por el fabricante o los proveedores de servicio técnico autorizados.*

ES

2.3 ADVERTENCIAS DE SEGURIDAD PARA SOPLADORES DE JARDÍN

Advertencias de seguridad para sopladores de jardín

a) **No utilice el producto con mal tiempo, especialmente cuando exista un riesgo de rayos.** *Esto disminuye el riesgo de ser alcanzado por un rayo.*

b) **Lleve protección ocular y auditiva.** *Un equipo de protección adecuado reducirá el riesgo de lesiones personales.*

c) **Durante el funcionamiento del producto, lleve siempre calzado antideslizante y de protección. No utilice el producto si está descalzo o lleva sandalias abiertas.** *Esto reduce el riesgo de lesiones en los pies.*

d) **No lleve ropa holgada ni prendas como bufandas, cordones, cadenas, corbatas, etc., que puedan ser aspiradas por las entradas de aire. Recoja o cubra el pelo largo para evitar que penetre en las entradas de aire.** *Si alguno de estos elementos penetra en las entradas de aire, puede aumentar el riesgo de lesiones personales.*

e) **Mantenga alejados a los transeúntes mientras utilice el producto.** *Los residuos proyectados pueden aumentar el riesgo de lesiones personales.*

f) **Nunca apunte la boquilla del soplador en dirección a personas o animales domésticos o en dirección a ventanas.** **Extreme las precauciones al soplar residuos cerca de objetos sólidos, como árboles, automóviles y paredes que pueden hacer que los residuos reboten.** *Los objetos proyectados pueden provocar daños materiales y aumentar el riesgo de lesiones personales.*

g) **No utilice el producto para soplar elementos que estén ardiendo o echen humo, como cigarrillos, cerillas o cenizas calientes.** *Estas fuentes de ignición pueden aumentar el riesgo de incendio.*

h) **No toque el ventilador mientras esté en movimiento. Apague el producto y espere hasta que el ventilador se detenga antes de retirar cualquier pieza que pueda dar acceso al ventilador.** Esto reduce el riesgo de lesiones por las piezas móviles.

i) **Asegúrese de que el interruptor de encendido esté apagado antes de quitar el material atascado o realizar tareas de servicio en el producto.** La puesta en marcha inesperada del producto mientras se quita el material atascado o se realizan tareas de servicio puede provocar lesiones personales graves.

3 MONTAJE

Esta sección describe cómo montar y ajustar el producto.

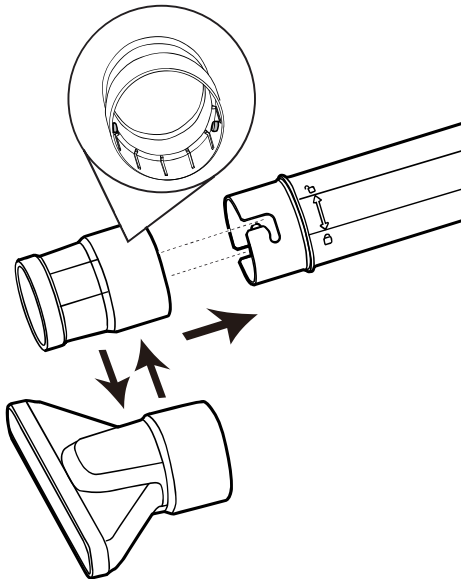


AVISO

DEBE LEER DETENIDAMENTE Y ENTENDER EL CAPÍTULO DE SEGURIDAD Y LAS INSTRUCCIONES DE MONTAJE ANTES DE MONTAR EL PRODUCTO.

3.1 INSTALACIÓN DEL TUBO SOPLADOR Y LOS ACCESORIOS DE BOQUILLA

Las pestañas situadas en el interior de los tubos sopladores y los accesorios de boquilla encajan en las ranuras de la carcasa del soplador y los tubos sopladores. La boquilla de velocidad o la boquilla ancha se pueden instalar en el extremo de los tubos sopladores o directamente en la salida de la carcasa del soplador.



1. Deslice la boquilla o el tubo soplador que desee y empújelos para unirlos.
2. Gire el tubo o la boquilla a lo largo del icono de bloqueo para fijarlos en la posición bloqueada.

Los pasos anteriores se pueden repetir para instalar el tubo adicional sobre el primer tubo, y para instalar un accesorio de boquilla sobre el tubo soplador. No se pueden instalar accesorios adicionales sobre la boquilla de velocidad o la boquilla ancha.

Nota: Cuando los tubos están montados correctamente es difícil separarlos. Si se pueden separar fácilmente, significa que los tubos no están bloqueados. Siga girándolos para unirlos, hasta que los tubos estén completamente en la posición bloqueada. Si los tubos no están completamente bloqueados, se pueden separar durante la operación de soplado.

4 FUNCIONAMIENTO

Esta sección describe el funcionamiento del producto.



AVISO

Debe leer detenidamente y entender el capítulo de seguridad y las instrucciones de funcionamiento antes de utilizar el producto.

4.1 ANTES DE UTILIZAR EL PRODUCTO

4.1.1 CONEXIÓN DEL CARGADOR DE BATERÍA

1. Conecte el cargador de baterías a la tensión y frecuencia correctas especificadas en la placa de características.
2. Consulte el manual del operario del cargador de batería para obtener información sobre su uso.

4.1.2 CARGA DE LA BATERÍA

Consulte el manual del operario del cargador de batería para obtener información sobre su uso.

4.1.3 INFORMACIÓN DE LA BATERÍA

Consulte el manual del operario de la batería para obtener información sobre su uso.

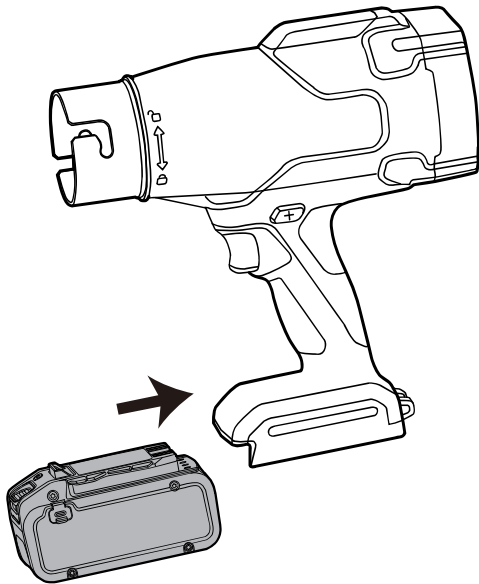
4.1.4 CONECTE LA BATERÍA AL PRODUCTO.



AVISO

Utilice únicamente Greenworks baterías originales con el producto.

1. Asegúrese de que la batería está completamente cargada.
2. Empuje la batería dentro del compartimiento de la batería. La batería se bloquea en su posición cuando escucha un clic.



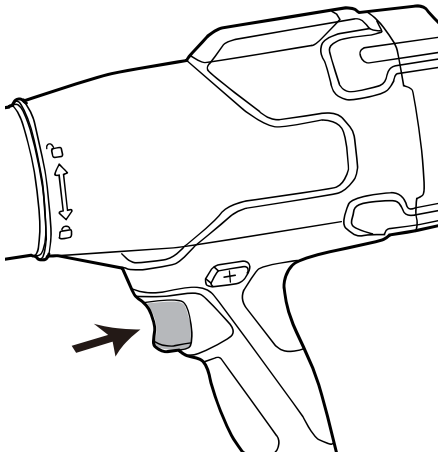
⚠ PRECAUCIÓN

Si la batería no se introduce con facilidad en el compartimento de la batería, es posible que no se haya instalado correctamente, lo que puede ocasionar daños a la batería o al producto.

3. Asegúrese de que la batería está instalada correctamente.

4.2 PONGA EL PRODUCTO EN MARCHA

1. Apriete el gatillo para poner en marcha el producto.



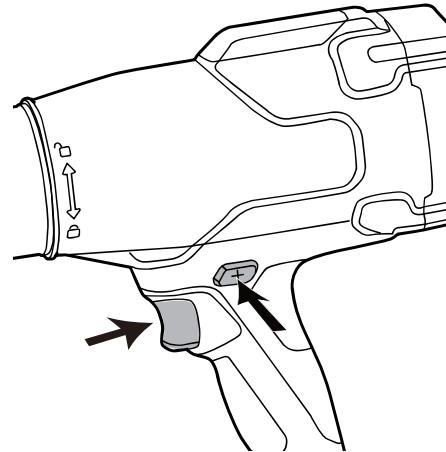
2. El gatillo de velocidad variable ofrece una mayor velocidad del aire con una mayor presión del gatillo y una menor velocidad del aire con una menor presión del gatillo.

4.3 BOTÓN DE BLOQUEO DE ENCENDIDO

El producto está equipado con una función de bloqueo de encendido, que resulta adecuada para el uso continuo durante periodos largos.

1. Apriete el gatillo para poner en marcha el producto.

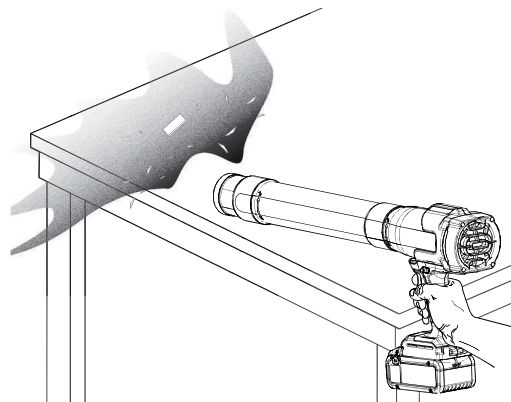
2. Mantenga presionado el botón de bloqueo de encendido, situado en el lateral del mango.



3. Suelte el gatillo interruptor.
4. Suelte el botón de bloqueo de encendido.
5. Para soltar el bloqueo, apriete y suelte el gatillo interruptor.

4.4 USO DEL PRODUCTO

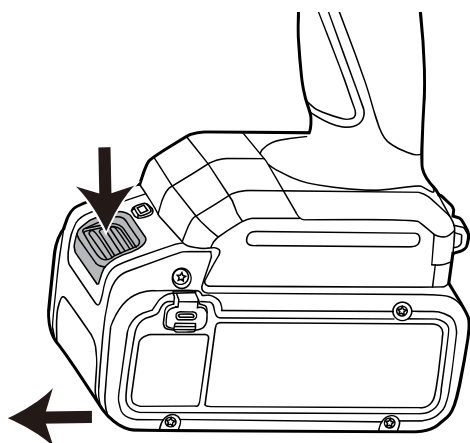
1. Para evitar que se dispersen los residuos, sople alrededor de los bordes exteriores de una pila de residuos. No sople nunca directamente en el centro de una pila.
2. Para reducir los niveles de ruido, limite el número de equipos utilizados al mismo tiempo.
3. Tenga cuidado con los niños, las mascotas o las ventanas abiertas, y sople los residuos de forma segura.
4. ¡LIMPIE después de usar sopladores u otros equipos! Elimine los residuos adecuadamente.



4.5 PARADA DEL PRODUCTO

1. Deje de presionar el gatillo.
2. Mantenga pulsado el botón de liberación de la batería.
3. Retire la batería del producto para detener completamente su funcionamiento.

ES



5 MANTENIMIENTO

IMPORTANTE

Debe leer detenidamente y entender los reglamentos de seguridad y las instrucciones de mantenimiento antes de limpiar, reparar o realizar tareas de mantenimiento en el producto (Referirse a Normas de seguridad e instrucciones de mantenimiento).

AVISO

- Retire la batería o baterías del producto antes de realizar cualquier tarea de mantenimiento.
- El incumplimiento de las tareas de mantenimiento adecuadas, el uso de piezas de repuesto de terceros o la modificación/eliminación de componentes puede provocar lesiones al usuario.

5.1 PROGRAMA DE MANTENIMIENTO

A continuación figura una lista de los pasos de mantenimiento que deben realizarse en el producto.

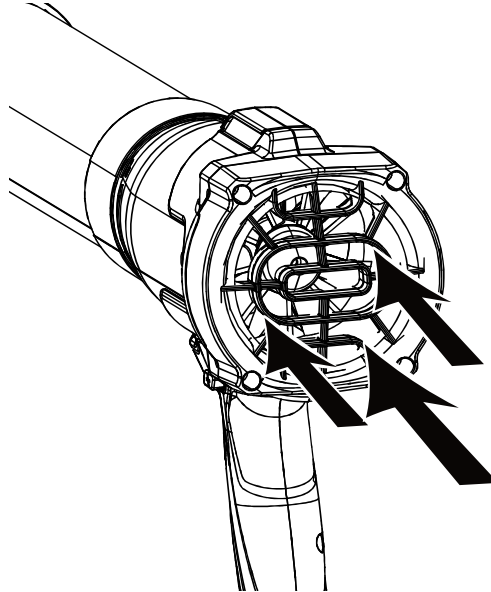
Mantenimiento	Diario	Semanal	Mensual
Limpie el exterior del producto con un paño limpio y seco. Nunca utilice agua.	X		
Mantenga las asas secas, limpias y sin restos de aceite y grasa.	X		
Asegúrese de que el gatillo funcione correctamente.	X		
Compruebe que las tuercas y los tornillos estén bien apretados.	X		
Compruebe que la batería esté intacta.	X		
Compruebe la carga de la batería.	X		
Compruebe que el botón de desbloqueo funcione y bloquee la batería en su posición.	X		
Compruebe que el cargador de batería esté intacto y funcione correctamente.	X		
Inspeccione todos los acoplamientos, las conexiones y los cables en busca de daños o suciedad.		X	
Compruebe las conexiones entre la batería y el producto, así como la conexión entre la batería y el cargador de batería.			X

5.2 COMPROBACIÓN DE LA REJILLA DE ENTRADA DE AIRE

PRECAUCIÓN

En caso de obstrucción de la rejilla de entrada de aire, la capacidad de soplado del producto disminuye y la temperatura de funcionamiento del motor aumenta. Si el motor se calienta demasiado, podría fallar.

1. Asegúrese de que la rejilla de entrada de aire no esté obstruida.



ES

2. Si es necesario, detenga el producto y retire las hojas o residuos de la rejilla de entrada de aire.

5.3 EXAMEN DE LA BATERÍA Y EL CARGADOR DE BATERÍA

Inspeccione detenidamente la batería, el cargador de baterías y el cable de conexión del cargador de baterías para detectar cualquier señal de daños, como grietas o piezas rotas. Sustituya en caso necesario.

5.4 LIMPIEZA DEL PRODUCTO

⚠ PRECAUCIÓN

- Mantenga el agua alejada del compartimento de la batería durante la limpieza para evitar dañar los componentes eléctricos.
- NO limpie con alcohol, gasolina, acetona u otros disolventes corrosivos/volátiles. Estas sustancias pueden dañar la estructura externa e interna de su producto.
- NO frote con papel de lija o cepillo metálico.

Limpe el producto después de cada uso con agua, detergente neutro y un paño suave.

5.5 LIMPIEZA DE LA BATERÍA Y EL CARGADOR DE BATERÍAS

⚠ AVISO

NO LIMPIE LA BATERÍA NI EL CARGADOR DE BATERÍAS CON AGUA.

- Asegúrese de que la batería esté limpia y seca antes de cargarla.
- Asegúrese de que el cargador de la batería y/o el adaptador de carga y los cables estén limpios y secos.
- Limpie los terminales de la batería con un paño suave y seco.
- Limpie la superficie de la batería y el cargador de baterías con un paño suave y seco.

6 TRANSPORTE, ALMACENAMIENTO Y ELIMINACIÓN

6.1 TRANSPORTE

- Todas las piezas desmontables (electrónicas), como el cargador y la batería, deben desconectarse siempre del producto antes del transporte.
- Siempre que sea posible, evite transportar el producto en condiciones meteorológicas adversas.
- Asegúrese de cubrir bien las piezas electrónicas al descubierto si es inevitable el transporte en condiciones climáticas adversas.
- Utilice cinta adhesiva en los contactos abiertos de la batería y asegúrese de que esté bien guardada para evitar que se mueva.
- Las altas velocidades, junto con el viento y la lluvia, pueden ocasionar la entrada de humedad a presión en los componentes electrónicos, lo que puede provocar fallos de funcionamiento temporales o defectos permanentes.
- En caso de producirse un fallo de funcionamiento tras el transporte en tales condiciones, retire la batería y deje que todas las piezas se sequen al aire cuando llegue a su destino.

6.2 ALMACENAMIENTO

Si el producto no se utiliza durante un periodo prolongado, es necesario realizar un mantenimiento adecuado durante el almacenamiento.

- Almacene el producto bloqueado para evitar su uso no autorizado o daños.
- Almacene el producto en una zona seca y bien ventilada.
- Almacene el producto fuera del alcance de los niños.

6.3 ELIMINACIÓN DE LA BATERÍA, EL CARGADOR DE BATERÍAS Y EL PRODUCTO

Los símbolos en el producto o en el embalaje del producto significan que el producto no es un desecho doméstico. Recíclelo en un centro de reciclaje de aparatos eléctricos y electrónicos. Esto ayuda a evitar daños al medio ambiente y las personas.

Póngase en contacto con las autoridades locales, el servicio de recogida de desechos domésticos o su distribuidor para obtener más información sobre cómo reciclar el producto.

7 SOLUCIÓN DE PROBLEMAS

PROBLEMA	POSIBLE CAUSA	POSIBLE SOLUCIÓN
El producto no se pone en marcha.	La batería no se ha instalado bien.	Asegúrese de insertar bien la batería en el producto.
	La batería se ha agotado.	Cargue la batería.
	El interruptor está defectuoso.	Un centro de servicio técnico autorizado debe encargarse de sustituir las piezas defectuosas.
	El motor está defectuoso.	
	La placa de circuitos impresos está defectuosa.	
El aire no fluye por el tubo cuando pone en marcha el producto.	La entrada de aire o la salida del tubo tiene una obstrucción.	Elimine con cuidado la obstrucción.

8 DATOS TÉCNICOS

Tensión	24V
Volumen de aire	270 CFM (0.13 m ³ /s)
Velocidad de aire	130 MPH (58.11 m/s)
Modelo de batería	PA200, PA300, PA400, PA500, PA600, PA800, PA1000, PA400X, PA400T, PA500T, PA800T y otras series Greenworks de 24V
Modelo de cargador	AC30W1C, AC65WAD, AC10WAD, AC14WAD y otras series Greenworks de 24V

Intervalos recomendados de temperatura ambiente:

Situación	Temperatura
Almacenamiento del producto	32 °F (0 °C) ~ 113 °F (45 °C)
Funcionamiento del producto	32 °F (0 °C) ~ 113 °F (45 °C)
Carga de la batería	39 °F (4 °C) ~ 104 °F (40 °C)
Funcionamiento del cargador	39 °F (4 °C) ~ 104 °F (40 °C)
Almacenamiento de la batería	32 °F (0 °C) ~ 113 °F (45 °C)
Descarga de la batería	32 °F (0 °C) ~ 113 °F (45 °C)

ES

9 GARANTÍA LIMITADA

Greenworks los productos y las baterías están protegidos contra cualquier defecto de materiales, piezas o mano de obra en condiciones normales de uso durante un periodo de 3 años a partir de la fecha de envío o de compra en la tienda.

A su entera discreción **Greenworks** puede optar por reparar, reemplazar, sustituir por un artículo comparable o reembolsar los productos que se consideren defectuosos por su uso normal o que hayan sufrido daños durante el envío. Se requiere prueba de compra y registro del producto. La sustitución de productos o piezas sujetas a desgaste normal es responsabilidad del cliente.

Esta garantía solo es válida para las unidades que hayan sido mantenidas de acuerdo con las instrucciones que se encuentran en el manual del operario suministrado con el producto; y para las unidades que hayan sido registradas mediante una de las siguientes maneras:

En línea: www.greenworkstools.com

Teléfono – 1-888-909-6757

Si **Greenworks** acepta una devolución en garantía, puede devolver el producto defectuoso o dañado solo después de llamar a nuestro equipo de Atención al Cliente y recibir una Autorización de Devolución de **Greenworks**. También recibirá un reembolso por sus gastos de envío originales, y **Greenworks** organizará y pagará los gastos de envío de su devolución. Para solicitar una Autorización de Devolución, póngase en contacto con nosotros en 1-888-909-6757.

9.1 ARTÍCULOS NO CUBIERTOS POR LA GARANTÍA

- Cualquier pieza que no funcione debido a mal uso, uso comercial, abuso, negligencia, accidente, mantenimiento inadecuado o alteración.
- La unidad, si no ha sido utilizada o mantenida de acuerdo con el manual del operario.
- Desgaste normal, excepto en lo indicado a continuación:
 - Artículos de mantenimiento de rutina tales como lubricantes.
 - Deterioro normal del acabado exterior debido al uso o la exposición.
- Cualquier pieza/producto que no funcione debido a su uso con piezas o baterías/cargadores que no sean de la marca **Greenworks**.

9.2 LÍNEA DE ASISTENCIA TELEFÓNICA

Puede contactar con el servicio de garantía llamando a nuestra línea de asistencia telefónica gratuita a: 1-888-909-6757.

9.3 ENVÍO

Los costes de transporte por el desplazamiento de cualquier unidad o accesorio de equipos eléctricos son responsabilidad del comprador. Es responsabilidad del comprador pagar los costes de transporte de cualquier pieza enviada para su sustitución bajo esta garantía, a menos que dicha devolución sea solicitada por escrito por **Greenworks**.

9.3.1 DIRECCIÓN

Dirección de EE. UU.:

Greenworks North America, LLC

P.O. Box 1238 , Mooresville, NC 28115, EEUU

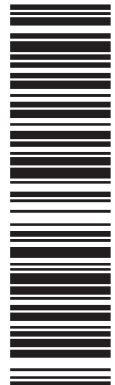
Dirección de Canadá:

Greenworks Tools Canada, Inc.

67 Toll Rd., Holland Landing, ON L9N 1H2

greenworks[®]

www.greenworkstools.com



P0806934-00