

greenworks

EN	DRILL DRIVER	OPERATOR MANUAL
FR	PERCEUSE-VISSEUSE	MANUEL D'OPÉRATEUR
ES	TALADRO ATORNILLADOR	MANUAL DEL OPERADOR



DDG401

www.greenworkstools.com
www.shopgreenworksgear.com

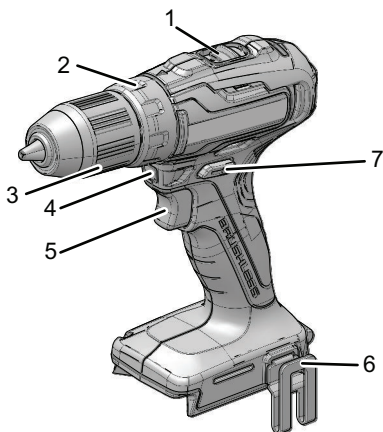
1	Description.....	4	7.2	Install the battery pack.....	7
1.1	Purpose.....	4	7.3	Remove the battery pack.....	7
1.2	Overview.....	4	7.4	Install the bit.....	7
2	General power tool safety		7.5	Remove the bit.....	7
	warnings.....	4	8	Operation.....	7
2.1	Work area safety.....	4	8.1	Start the machine.....	7
2.2	Electrical safety.....	4	8.2	Stop the machine.....	8
2.3	Personal safety.....	4	8.3	LED light.....	8
2.4	Power tool use and care.....	5	8.4	Two-speed switch.....	8
2.5	Battery tool use and care.....	5	8.5	Forward / reverse switch.....	8
2.6	Service.....	5	8.6	Clutch settings.....	8
3	Drill safety warnings.....	5	8.7	Drill materials.....	9
4	Symbols on the product.....	6	9	Maintenance.....	9
5	Risk levels.....	6	9.1	Clean the machine.....	9
6	Proposition 65.....	6	10	Technical data.....	9
7	Installation.....	6	11	Limited warranty.....	10
7.1	Unpack the machine.....	6	12	Exploded view.....	10

1 DESCRIPTION

1.1 PURPOSE

This machine is used to drill in all types of wood materials (lumber, plywood, paneling, composition board, and hard board), ceramics, plastics, fiberglass, laminates and metals.

1.2 OVERVIEW



- | | |
|--------------------------|---------------------|
| 1 High Speed / Low Speed | 5 Trigger |
| 2 Torque Adjustment | 6 Belt Clip |
| 3 1/2" Keyless Chuck | 7 Forward / Reverse |
| 4 LED Light | |

2 GENERAL POWER TOOL SAFETY WARNINGS

▲ WARNING

Read all safety warnings and all instructions. Failure to follow the warnings and instructions may result in electric shock, fire and/or serious injury.

Save all warnings and instructions for future reference.

The term "power tool" in the warnings refers to your mains-operated (corded) power tool or battery-operated (cordless) power tool.

2.1 WORK AREA SAFETY

- **Keep work area clean and well lit.** Cluttered or dark areas invite accidents.
- **Do not operate power tools in explosive atmospheres, such as in the presence of flammable liquids, gases or dust.** Power tools create sparks which may ignite the dust or fumes.

- **Keep children and bystanders away while operating a power tool.** Distractions can cause you to lose control.
- **The machine is not intended for use by persons (including children) with reduced physical, sensory or mental capabilities, or lack of experience and knowledge, unless they have been given supervision or instruction concerning use of the machine by a person responsible for their safety.** Children should be supervised to ensure that they do not play with the machine.

2.2 ELECTRICAL SAFETY

- **Power tool plugs must match the outlet. Never modify the plug in any way. Do not use any adapter plugs with earthed (grounded) power tools.** Unmodified plugs and matching outlets will reduce risk of electric shock.
- **Avoid body contact with earthed or grounded surfaces, such as pipes, radiators, ranges and refrigerators.** There is an increased risk of electric shock if your body is earthed or grounded.
- **Do not expose power tools to rain or wet conditions.** Water entering a power tool will increase the risk of electric shock.
- **Do not abuse the cord.** Never use the cord for carrying, pulling or unplugging the power tool. Keep cord away from heat, oil, sharp edges and moving parts. Damaged or entangled cords increase the risk of electric shock.
- **When operating a power tool outdoors, use an extension cord suitable for outdoor use.** Use of a cord suitable for outdoor use reduces the risk of electric shock.
- **If operating a power tool in a damp location is unavoidable, use a residual current device (RCD) protected supply.** Use of an RCD reduces the risk of electric shock.

2.3 PERSONAL SAFETY

- **Stay alert, watch what you are doing and use common sense when operating a power tool. Do not use a power tool while you are tired or under the influence of drugs, alcohol or medication.** A lapse of attention while operating power tools may result in serious personal injury.
- **Use personal protection. Always wear eye protection.** Protective products such as dust mask, non-skid safety shoes, hard hat or hearing protection used appropriately will reduce personal injuries.
- **Prevent unintentional starting.** Ensure the switch is in the off position before connecting to power source and/or battery pack and when picking up or carrying the tool. Carrying power tools with your finger on the switch or energizing power tools that have the switch on invites accidents.
- **Remove any adjusting key or wrench before turning the power tool on.** A wrench or a key left attached to a rotating part of the power tool may result in personal injury.

- **Do not over-reach. Keep proper footing and balance at all times.** *This enables better control of the power tool in unexpected situations.*
- **Dress properly. Do not wear loose clothing or jewellery. Keep your hair, clothing and gloves away from moving parts.** *Loose clothes, jewellery or long hair can be caught in moving parts.*
- **If devices are provided for the connection of dust extraction and collection facilities, ensure these are connected and properly used.** *Use of dust collection can reduce dust related hazards.*

2.4 POWER TOOL USE AND CARE

- **Do not force the power tool. Use the correct power tool for your application.** *The correct power tool will do the job better and safer at the rate for which it was designed.*
- **Do not use the power tool if the switch does not turn it on and off.** *Any power tool that cannot be controlled with the switch is dangerous and must be repaired.*
- **Disconnect the plug from the power source and/or the battery pack from the power tool before making any adjustments, changing accessories, or storing power tools.** *Such preventive safety measures reduce the risk of starting the power tool accidentally.*
- **Store idle power tools out of the reach of children and do not allow persons unfamiliar with the power tool or these instructions to operate the power tool.** *Power tools are dangerous in the hands of untrained users.*
- **Maintain power tools and accessories. Check for misalignment or binding of moving parts, breakage of parts and any other condition that may affect the power tool's operation. If damaged, have the power tool repaired before use.** *Many accidents are caused by poorly maintained power tools.*
- **Keep cutting tools sharp and clean.** *Properly maintained cutting tools with sharp cutting edges are less likely to bind and are easier to control.*
- **Use the power tool, accessories and tool bits etc. in accordance with these instructions, taking into account the working conditions and the work to be performed.** *Use of the power tool for operations different from those intended could result in a hazardous situation.*
- **Keep handles and grasping surfaces dry, clean and free from oil and grease.** *Slippery handles and grasping surfaces do not allow for safe handling and control of the tool in unexpected situations.*

2.5 BATTERY TOOL USE AND CARE

- **Recharge only with the charger specified by the manufacturer.** *A charger that is suitable for one type of battery pack may create a risk of fire when used with another battery pack.*
- **Use power tools only with specifically designated battery packs.** *Use of any other battery packs may create a risk of injury and fire.*

- **When battery pack is not in use, keep it away from other metal objects like paper clips, coins, keys, nails, screws, or other small metal objects that can make a connection from one terminal to another.** *Shorting the battery terminals together may cause burns or fire.*
- **Under abusive conditions, liquid may be ejected from the battery; avoid contact. If contact accidentally occurs, flush with plenty of soap and water. If liquid contacts eyes, immediately seek medical help.** *Liquid ejected from the battery may cause irritation or burns.*
- **Do not use a battery pack or tool that is damaged or modified.** *Damaged or modified batteries may exhibit unpredictable behaviour resulting in fire, explosion or risk of injury.*
- **Do not expose a battery pack or tool to fire or excessive temperature.** *Exposure to fire or temperature above 130 °C may cause explosion.*
- **Follow all charging instructions and do not charge the battery pack or tool outside the temperature range specified in the instructions.** *Charging improperly or at temperatures outside the specified range may damage the battery and increase the risk of fire.*

2.6 SERVICE

- **Have your power tool serviced by a qualified repair person using only identical replacement parts.** *This will ensure that the safety of the power tool is maintained.*
- **Never service damaged battery packs.** *Service of battery packs should only be performed by the manufacturer or authorized service providers.*

3 DRILL SAFETY WARNINGS

- **Hold the power tool by insulated gripping surfaces, when performing an operation where the cutting accessory may contact hidden wiring.** *Cutting accessory or fasteners contacting a "live" wire may make exposed metal parts of the power tool "live" and could give the operator an electric shock.*
- **Never operate at higher speed than the maximum speed rating of the drill bit.** *At higher speeds, the bit is likely to bend if allowed to rotate freely without contacting the workpiece, resulting in personal injury.*
- **Wear ear protectors when impact drilling.** *Exposure to noise can cause hearing loss.*
- **Apply pressure only in direct line with the bit and do not apply excessive pressure.** *Bits can bend causing breakage or loss of control, resulting in personal injury.*
- **Always start drilling at low speed and with the bit tip in contact with the workpiece.** *At higher speeds, the bit is likely to bend if allowed to rotate freely without contacting the workpiece, resulting in personal injury.*
- **Know your power tool. Read operator manual carefully.** *Learn its applications and limitations, as well as the specific potential hazards related to this power tool. Obey this instruction will reduce shock, fire or serious injury.*

- Always wear safety glasses with side shields marked to comply with ANSI Z87.1. Obey this instruction will reduce the risk of serious injury.
- Protect your lungs. Wear a face or dust mask if the operation is dusty. Obey this instruction will reduce the risk of serious injury.
- Protect your hearing. Wear hearing protection during extended periods of operation. Obey this instruction will reduce the risk of serious injury.

4 SYMBOLS ON THE PRODUCT

Some of the following symbols may be used on this tool. Please study them and learn their meaning. Proper interpretation of these symbols will allow you to operate the tool better and safer.

Symbol	Explanation
V	Voltage
	Direct current
	Read all safety warnings and all instructions.
	Safety alert
	Wear eye protection
	Wear ear protection
	Low speed
	High speed
	Do not touch rotating part.

5 RISK LEVELS

The following signal words and meanings are intended to explain the levels of risk associated with this product.

SYM-BOL	SIGNAL	MEANING
	DANGER	Indicates an imminently hazardous situation, which, if not avoided, will result in death or serious injury.

SYM-BOL	SIGNAL	MEANING
	WARNING	Indicates a potentially hazardous situation, which, if not avoided, could result in death or serious injury.
	CAUTION	Indicates a potentially hazardous situation, which, if not avoided, may result in minor or moderate injury.
	CAUTION	(Without Safety Alert Symbol) Indicates a situation that may result in property damage.

6 PROPOSITION 65

▲ WARNING

This product contains a chemical known to the state of California to cause cancer, birth defects or other reproductive harm. Some dust created by power sanding, sawing, grinding, drilling, and other construction activities contains chemicals known to cause cancer, birth defects or other reproductive harm. Some examples of these chemicals are:

- Lead from lead-based paints;
- Crystalline silica from bricks and cement and other masonry products;
- Arsenic and chromium from chemically treated lumber.

Your risk of exposure to these chemicals varies depending on how often you do this type of work. To reduce your exposure to these chemicals, work in a well-ventilated area, and work with approved safety equipment, such as dust masks that are specially designed to filter out microscopic particles.

Save these instructions.

7 INSTALLATION

7.1 UNPACK THE MACHINE

▲ WARNING

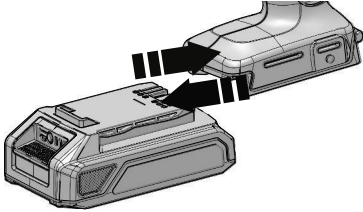
Make sure that you correctly assemble the machine before use.

▲ WARNING

- If parts of the machine are damaged, do not use the machine.
- If you do not have all the parts, do not operate the machine.
- If parts are damaged or missing, contact the service center.

1. Open the package.
2. Read the documentation provided in the box.
3. Remove all the unassembled parts from the box.
4. Remove the machine from the box.
5. Discard the box and packing material in compliance with local regulations.

7.2 INSTALL THE BATTERY PACK



▲ WARNING

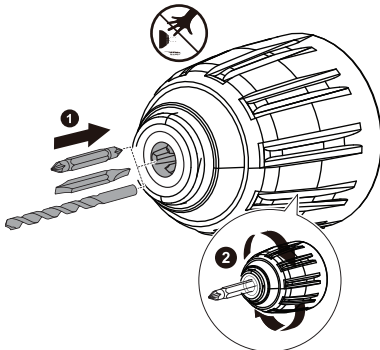
- If the battery pack or charger is damaged, replace the battery pack or the charger.
- Stop the machine and wait until the motor stops before you install or remove the battery pack.
- Read, know, and do the instructions in the battery and charger manual.

1. Align the lift ribs on the battery pack with the grooves in the battery compartment.
2. Push the battery pack into the battery compartment until the battery pack locks into place.
3. When you hear a click, the battery pack is installed.

7.3 REMOVE THE BATTERY PACK

1. Push and hold the battery release button.
2. Remove the battery pack from the machine.

7.4 INSTALL THE BIT



1. Push forward / reverse switch in "neutral" position to lock the trigger.
2. Turn the chuck counter-clockwise to open.
3. Tilt the machine upwards to keep the bit from falling out
4. Put the bit into the opening of the chuck.
5. Make sure that the bit is centered, then turn the chuck clock-wise to tighten.

i NOTE

Do not use a wrench to tighten or loosen the chuck.

▲ WARNING

Put the bit straight into the chuck jaws. Do not put the bit into the chuck jaws at an angle then tighten.

7.5 REMOVE THE BIT

1. Push forward / reverse switch in "neutral" position to lock the trigger.
2. Turn the chuck counter-clockwise to open.
3. Remove the bit.

▲ WARNING

Be prepared for binding at bit breakthrough. When these situations occur, drill has a tendency to grab and kick opposite to the direction of rotation and could cause loss of control when breaking through material. If not prepared, this loss of control can result in possible serious injury.

8 OPERATION

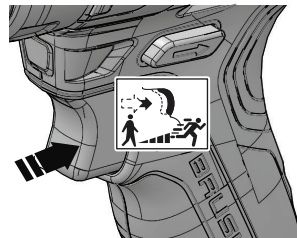
▲ WARNING

Always wear eye protection.

▲ WARNING

Do not use any attachments or accessories not recommended by the manufacturer of this product.

8.1 START THE MACHINE



i NOTE

The machine can not work until the forward / reverse switch is pushed fully to the left or right. Do not operate the machine at low speeds for extended periods of time.

1. Pull the trigger to turn the drill ON.

Variable speed

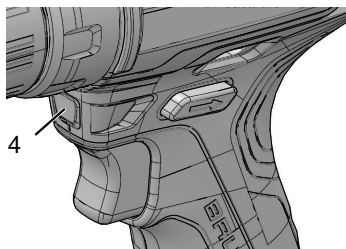
The machine has a variable speed switch that delivers higher speed with increased trigger pressure and lower speed with decreased trigger pressure.

8.2 STOP THE MACHINE

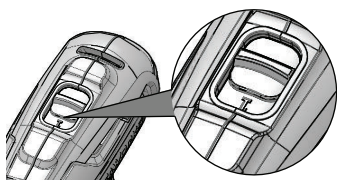
1. Release the trigger to turn the machine OFF.

▲ WARNING

Release the trigger and allow the machine to come to a complete stop.

8.3 LED LIGHT

The LED light illuminates when the trigger is depressed. It provides extra light for increased visibility.

8.4 TWO-SPEED SWITCH

The machine has a two-speed switch designed for drilling or driving at LO (1) or HI (2) speeds. A slide switch is on top of the machine.

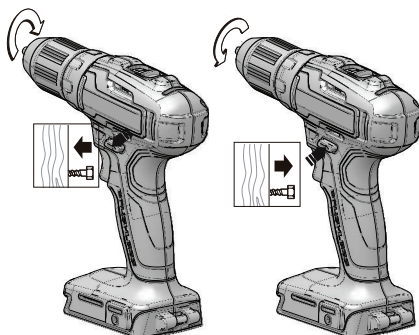
1. When you use the machine in the LO (1) speed, the speed decreases and the machine has more power and torque.
2. When you use the machine in the HI (2) speed, the speed increases and the machine has less power and torque.

▲ WARNING

Use LO (1) speed for high power and torque applications and HI (2) speed for fast drilling or driving applications.

8.5 FORWARD / REVERSE SWITCH

The machine has the switch (forward / reverse) above the trigger to change rotation.



1. When the switch is on the left side of the trigger, the bit direction is forward (tightening).
2. When the switch is on the right side of the trigger, the bit direction is reversed (loosening).
3. Put the switch in the OFF (center lock) position to help decrease the possibility of accidental starting when not operating.

▲ WARNING

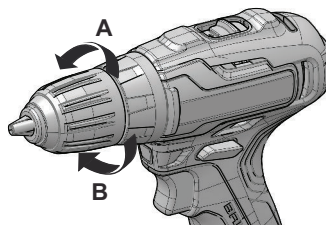
Release the trigger and let the chuck come to a complete stop.

▲ WARNING

Let the chuck to come to a complete stop before changing the direction of rotation.

i NOTE

The machine does not operate until the forward / reverse switch is pushed fully to the left or right.

8.6 CLUTCH SETTINGS

1. A. The direction to decrease torque.
2. B. The direction to increase torque.

8.7 DRILL MATERIALS

- When drilling hard, smooth surfaces, use a center punch to mark the desired hole location. This can prevent the drill bit from slipping off-center when drilling is started.
- When drilling metals, use a light oil on the drill bit to prevent it from overheating. The oil can prolong the life of the bit and increase the drilling action.
- If the bit jams in the workpiece or if the drill falls, stop to use the machine immediately. Remove the bit from the workpiece and analyze the cause of the jam.

i NOTE

This drill has an electric brake. When the switch trigger is released, the chuck stops turning. When the brake is functioning properly, sparks can be visible through the vent slots on the housing. This is normal and is the action of the brake.

WOOD DRILLING

For maximum performance, use high speed steel bits for wood drilling.

1. Operate the machine at a very low speed to prevent the bit from slipping off the starting point. Increase the speed as the drill bit bites into the material.
2. When drilling through holes, put a piece of wood behind the workpiece to prevent ragged or splintered edges on the back side of the hole.

METAL DRILLING

For maximum performance, use high speed steel bits for metal or steel drilling.

1. Operate the machine at a very low speed to prevent the bit from slipping off the starting point.
2. Hold consistent speed and pressure to avoid overheating the bit. Applying too much pressure can: Overheat the drill; Wear the bearings; Bend or burn bits; and Produce off-center or irregular-shaped holes.
3. When drilling large holes in metal, start with a small bit, then finish with a large bit. Also, lubricate the bit with oil to improve drilling action and increase the bit's life-time.

9 MAINTENANCE

▲ CAUTION

Do not let brake fluids, gasoline, petroleum-based materials touch the plastic parts. Chemicals can cause damage to the plastic, and make the plastic unserviceable.

▲ CAUTION

Do not use strong solvents or detergents on the plastic housing or components.

▲ WARNING

Remove the battery pack from the machine before maintenance.

9.1 CLEAN THE MACHINE

▲ CAUTION

The machine must be dry. Humidity can cause risks of electrical shocks.

- Clear the unwanted material out of the air vent with a vacuum cleaner.
- Do not spray the air vent or put the air vent in solvents.
- Clean the housing and the plastic components with a moist and soft cloth.

10 TECHNICAL DATA

Voltage	24 V
Motor	Brushless
No Load Speed	0-380 / 0-1450 min ⁻¹
Chuck	13 mm Keyless
Clutch Settings	18 Positions + Drill
Torque	310 In-lbs (35 Nm)
Weight Without Battery	2.27 lbs (1.03 kg)
Battery Model	LB24A020 and other BAG series
Charger Model	CAG828 and other CAG series

The recommended ambient temperature range:

Item	Temperature
Appliance storage temperature range	32°F (0°C) - 113°F (45°C)
Appliance operation temperature range	32°F (0°C) - 113°F (45°C)
Battery charging temperature range	39°F (4°C) - 104°F (40°C)
Charger operation temperature range	39°F (4°C) - 104°F (40°C)
Battery storage temperature range	32°F (0°C) - 113°F (45°C)
Battery discharging temperature range	32°F (0°C) - 113°F (45°C)

11 LIMITED WARRANTY



Greenworks hereby warranties this product, to the original purchaser with proof of purchase, for a period of three (3) years against defects in materials, parts or workmanship. Greenworks, at its own discretion, will repair or replace any and all parts found to be defective, through normal use, free of charge to the customer. This warranty is valid only for units which have been used for personal use that have not been purchased or rented for industrial/commercial use, and that have been maintained in accordance with the instructions in the owners' manual supplied with the product when new.

ITEMS NOT COVERED BY WARRANTY:

1. Any part that has become inoperative due to misuse, commercial use, abuse, neglect, accident, improper maintenance, or alteration; or
2. The unit, if it has not been operated and/or maintained in accordance with the owner's manual; or
3. Normal wear;
4. Routine maintenance items such as lubricants, blade sharpening;
5. Normal deterioration of the exterior finish due to use or exposure.

HELPLINE:

Warranty service is available by calling our toll-free helpline at 1-888-909-6757.

TRANSPORTATION CHARGES:

Transportation charges for the movement of any power equipment unit or attachment are the responsibility of the purchaser. It is the purchaser's responsibility to pay transportation charges for any part submitted for replacement under this warranty unless such return is requested in writing by Greenworks.

USA address:

Greenworks Tools
P.O. Box 1238

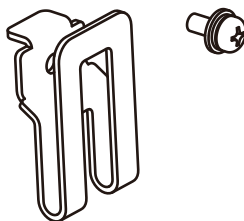
Mooresville, NC 28115

Canadian address:

Greenworks Tools Canada, Inc.
P.O. Box 93095, Newmarket,
Ontario

L3Y 8K3

12 EXPLODED VIEW



No.	QTY	Description
R0203143-00	1	Belt Clip

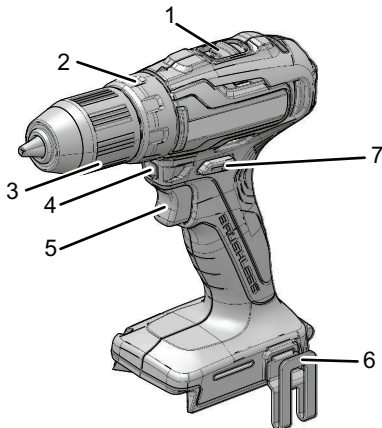
1	Description.....	12		7.1 Déballer la machine.....	15
1.1	But.....	12	7.2	Installez la batterie.....	15
1.2	Aperçu.....	12	7.3	Retirez la batterie.....	15
2	Avertissements généraux de		7.4	Installez la mèche.....	16
	sécurité des outils électriques.....	12	7.5	Retirez la mèche.....	16
2.1	Sécurité de la zone de travail.....	12	8	Utilisation.....	16
2.2	Sécurité électrique.....	12	8.1	Démarrez la machine.....	16
2.3	Sécurités des personnes.....	12	8.2	Arrêtez la machine.....	16
2.4	Utilisation et entretien des outils électriques... 13		8.3	Lumière DEL.....	16
2.5	Utilisation et entretien de l'outil sur batterie... 13		8.4	Interrupteur à deux vitesses.....	17
2.6	Service.....	14	8.5	Interrupteur avant / arrière.....	17
3	Avertissements de sécurité de la		8.6	Réglages du couplage.....	17
	perceuse-visseuse.....	14	8.7	Matériaux de perçage.....	17
4	Symboles figurant sur la machine. 14		9	Entretien.....	18
5	Niveaux de risques.....	14	9.1	Nettoyez la machine.....	18
6	Proposition 65.....	15	10	Données techniques.....	18
7	Installation.....	15	11	Garantie limitée.....	18
			12	Vue éclatée.....	19

1 DESCRIPTION

1.1 BUT

Cette machine est utilisée pour percer tous les types de bois (bois d'œuvre, contreplaqué, panneaux, panneaux de composition et panneaux durs), céramiques, plastiques, fibre de verre, stratifiés et métaux.

1.2 APERÇU



- | | | | |
|---|------------------------------|---|------------------|
| 1 | Vitesse forte/vitesse faible | 5 | Gâchette |
| 2 | Réglage du couple | 6 | Clip de ceinture |
| 3 | Mandrin sans clé 1/2" | 7 | Avant / arrière |
| 4 | Lumière DEL | | |

2 AVERTISSEMENTS GÉNÉRAUX DE SÉCURITÉ DES OUTILS ÉLECTRIQUES

▲ AVERTISSEMENT

Lisez tous les avertissements de sécurité et toutes les instructions. Le non-respect de ces avertissements et de ces instructions peut entraîner un choc électrique, un incendie et/ou des blessures graves.

Conservez tous les avertissements et instructions pour référence ultérieure.

Le terme « outil électrique » dans les avertissements se réfère à votre outil électrique alimenté (avec fil) ou à votre outil électrique (sans fil) fonctionnant sur batterie.

2.1 SÉCURITÉ DE LA ZONE DE TRAVAIL

- Gardez la zone de travail propre et bien éclairée. Les endroits encombrés ou sombres favorisent les accidents.

- N'utilisez pas les outils électriques dans des environnements explosifs, par exemple en présence de liquides, gaz ou poussières inflammables. La mise en marche des outils électriques crée des étincelles qui peuvent enflammer la poussière ou les vapeurs.
- Tenez les enfants et les curieux à l'écart lorsque vous utilisez un outil électrique. Les distractions peuvent vous faire perdre le contrôle.
- Cette machine n'est pas conçue pour être utilisée par des personnes (y compris les enfants) dont les capacités physiques, sensorielles ou mentales sont réduites, ou des personnes dénuées d'expérience ou de connaissance, sauf si elles ont pu bénéficier, par l'intermédiaire d'une personne responsable de leur sécurité, d'une surveillance ou d'instructions préalables concernant l'utilisation de la machine. Il convient de surveiller les enfants pour s'assurer qu'ils ne jouent pas avec la machine.

2.2 SÉCURITÉ ÉLECTRIQUE

- Les prises de l'outil électrique doivent être compatibles avec la prise de courant. Ne modifiez jamais la prise d'aucune façon. N'utilisez pas d'adaptateur de prise avec des outils à prise de terre. Des prises non modifiées et leurs prises de courant respectives réduisent les risques de choc électrique.
- Évitez que le corps n'entre en contact avec des surfaces mises à la terre comme les tuyaux, les radiateurs, les cuisinières et les réfrigérateurs. Il y a un risque accru de choc électrique si votre corps est en contact avec la terre.
- N'exposez pas les outils électriques à des conditions humides ou mouillées. L'eau qui pénètre dans un outil électrique augmente le risque de choc électrique.
- N'abusez pas du cordon. N'utilisez jamais le câble pour porter, tirer ou débrancher l'outil. Éloignez le cordon de la chaleur, de l'huile et des bords tranchants ou des pièces mobiles. Les cordons endommagés augmentent le risque d'un choc électrique.
- Lorsque vous utilisez un outil électrique en extérieur, utilisez une rallonge de câble adaptée à l'usage en extérieur. Utiliser un câble adapté à un usage en extérieur réduit le risque de choc électrique.
- Si vous ne pouvez éviter d'utiliser l'outil dans un environnement humide, utilisez une alimentation protégée à courant différentiel. Le respect de cette règle réduira le risque de chocs électriques.

2.3 SÉCURITÉS DES PERSONNES

- Restez vigilant, soyez attentif à ce que vous faites et faites preuve de bon sens lorsque vous utilisez un outil électrique. N'utilisez pas l'appareil lorsque vous êtes fatigué, sous l'emprise de l'alcool ou de drogues ou après avoir pris des médicaments. Un simple moment d'inattention lors de l'utilisation d'un outil électrique peut provoquer des blessures corporelles graves.

- **Utilisez des équipements de protection individuelle. Portez toujours des lunettes de protection.** *L'utilisation d'équipements de protection adaptés aux conditions de travail (masque anti-poussières, chaussures de sécurité antidérapantes, casque et protections auditives etc.) permet de réduire les risques de blessures corporelles.*
- **Évitez tout démarrage accidentel. Assurez-vous que l'interrupteur est en position d'arrêt avant de brancher à la source d'alimentation et/ou la batterie et quand vous soulevez ou transportez l'appareil.** *Transporter un outil électrique avec un doigt sur l'interrupteur ou le brancher sur une alimentation électrique alors que son interrupteur est en position marche favorise les accidents.*
- **Retirez les clefs de réglage et de serrage avant de mettre l'outil en marche.** *Une clef de réglage ou de serrage restée sur une pièce en rotation de l'outil électrique peut entraîner des blessures corporelles.*
- **Ne vous penchez pas trop en avant. Gardez un bon équilibre en tout temps.** *Ceci permet un meilleur contrôle de l'outil électrique dans des situations inattendues.*
- **Habilitez-vous correctement. Ne portez pas de vêtements amples ou de bijoux. Veillez à ne pas approcher vos cheveux, vos vêtements et vos gants des pièces en mouvement.** *Les vêtements amples, les bijoux et les cheveux longs peuvent se prendre dans les pièces en mouvement.*
- **Si un appareil est conçu pour être utilisé avec des dispositifs d'extraction et de récupération des poussières, veillez à ce que ces dispositifs soient bien raccordés et correctement utilisés.** *L'utilisation de dispositifs de récupération des poussières permet de réduire les risques liés aux poussières.*

2.4 UTILISATION ET ENTRETIEN DES OUTILS ÉLECTRIQUES

- **Ne forcez pas l'outil électrique. Utilisez l'outil électrique adapté à votre application.** *L'outil électrique approprié fera mieux le travail et sera plus sécuritaire au rythme pour lequel il a été conçu.*
- **N'utilisez pas l'outil électrique si l'interrupteur ne le met pas en marche ou à l'arrêt.** *Tout outil électrique qui ne peut pas être contrôlé avec l'interrupteur est dangereux et doit être réparé.*
- **Débranchez la prise de la source d'alimentation et/ou de la batterie avant d'effectuer des réglages, de changer des accessoires ou de ranger l'outil électrique.** *De telles mesures de sécurité préventives réduisent le risque d'un démarrage accidentel de l'outil électrique.*
- **Rangez les outils électriques inutilisés hors de portée des enfants et ne laissez pas des personnes qui se sont familiarisées avec l'outil électrique ou ces instructions l'utiliser.** *Les outils électriques sont dangereux entre les mains des utilisateurs non formés.*
- **Entretenez les outils électriques et les accessoires. Vérifiez le désalignement des pièces mobiles ou la fixation des pièces mobiles, la cassure des pièces et**

toute autre condition qui pourrait affecter le fonctionnement de l'outil électrique. Si il est endommagé, faites réparer l'outil électrique avant de l'utiliser. *De nombreux accidents sont causés par des outils électriques mal entretenus.*

- **Garder les outils de coupe propres et tranchants.** *Les outils de coupe bien entretenus avec des bords tranchants sont moins susceptibles de se coincer et sont plus faciles à contrôler.*
- **Utilisez l'outil électrique, les accessoires, les mèches, etc. conformément à ces instructions, en tenant compte des conditions de travail et des travaux à effectuer.** *L'utilisation de l'outil motorisé pour des opérations différentes de celles prévues pourrait entraîner une situation dangereuse.*
- **Veillez à ce que les poignées restent propres, sèches et exemptes d'huile et de graisse.** *Les poignées et surfaces de prise glissantes ne permettent pas de manipuler et de contrôler l'outil dans des situations inattendues.*

2.5 UTILISATION ET ENTRETIEN DE L'OUTIL SUR BATTERIE

- **Rechargez uniquement avec le chargeur spécifié par le fabricant.** *Un chargeur adapté à un type de batterie peut créer un risque d'incendie lorsqu'il est utilisé avec une autre batterie.*
- **Utilisez les outils électriques uniquement avec des batteries spécialement conçues à cet effet.** *L'utilisation de toutes autres batteries peut créer un risque de blessure et d'incendie.*
- **Lorsque la batterie n'est pas utilisée, éloignez-la des autres objets métalliques tels qu'attaches trombones, pièces de monnaie, clés, clous, vis ou autres petits objets métalliques qui peuvent établir une connexion d'une borne à une autre.** *Le court-circuitage des bornes de la batterie peut provoquer des brûlures ou un incendie.*
- **Dans des conditions abusives, du liquide peut être éjecté de la batterie ; évitez tout contact. En cas de contact accidentel, rincez abondamment avec du savon et de l'eau. En cas de contact du liquide avec les yeux, consultez immédiatement un médecin.** *Le liquide s'échappant des batteries peut causer des irritations ou des brûlures.*
- **N'utilisez pas une batterie ou un outil endommagé ou modifié.** *Les batteries endommagées ou modifiées peuvent présenter un fonctionnement imprévisible et provoquer un incendie, une explosion ou un risque de blessure.*
- **N'exposez pas un bloc-batterie ou un outil au feu ou à une température excessive.** *L'exposition au feu ou une température supérieure à 130 °C peut provoquer une explosion.*
- **Suivez toutes les instructions de recharge et ne rechargez pas la batterie ou l'outil en dehors de la plage de température spécifiée dans ces instructions.** *Un rechargement incorrect ou à des températures en dehors de la plage spécifiée peut endommager la batterie et augmenter le risque d'incendie.*

2.6 SERVICE

- **Faites effectuer l'entretien de votre outil électrique par un réparateur qualifié en n'utilisant que des pièces de rechange identiques.** *Cela garantira le maintien de la sécurité de l'outil électrique.*
- **Ne réparez jamais un bloc-batterie endommagé.** *L'entretien d'un bloc-batterie ne doit être effectué que par le fabricant ou des fournisseurs de service agréés.*

3 AVERTISSEMENTS DE SÉCURITÉ DE LA PERCEUSE-VISSEUSE

- **Maintenez l'outil par ses surfaces isolées lorsque vous accomplissez une tâche où l'accessoire de coupe pourrait entrer en contact avec un câblage invisible ou son propre câble.** *Les accessoires de coupe ou les fixations en contact avec un câble sous tension peuvent exposer des parties métalliques de l'outil et pourraient causer un choc électrique.*
- **Ne faites jamais fonctionner l'outil à une vitesse supérieure à la vitesse de rotation maximale de la mèche.** *À des vitesses plus élevées, la mèche risque de se plier si on la laisse tourner librement sans toucher la pièce à usiner, ce qui pourrait entraîner des blessures corporelles.*
- **Portez une protection auditive lorsque vous utilisez une perceuse à percussion.** *L'exposition au bruit peut causer une perte auditive.*
- **Appliquez une pression en ligne directe avec la mèche seulement; évitez d'appliquer une pression excessive.** *Les mèches peuvent se plier et causer des bris ou une perte de contrôle, entraînant ainsi des blessures corporelles.*
- **Commencez toujours le perçage à basse vitesse en vous assurant que la pointe de la mèche est en contact avec la pièce à usiner.** *À des vitesses plus élevées, la mèche risque de se plier si on la laisse tourner librement sans toucher la pièce à usiner, ce qui pourrait entraîner des blessures corporelles.*
- **Connaissez bien votre outil. Lisez attentivement le manuel de l'opérateur.** *Apprenez les applications et les limites de cet outil électrique, ainsi que les risques potentiels qui y sont associés. Suivre les instructions réduit le risque de choc électrique, d'incendie ou de blessures graves.*
- **Portez toujours des lunettes de sécurité dont les écrans latéraux sont conformes à la norme ANSI Z87.1.** *Suivre cette instruction réduit le risque de blessure grave.*
- **Protégez vos poumons. Utilisez un masque facial ou un masque anti-poussière si l'opération est poussiéreuse.** *Suivre cette instruction réduit le risque de blessure grave.*
- **Protégez vos oreilles. Portez un dispositif de protection anti-bruit pendant les périodes d'utilisation prolongées.** *Suivre cette instruction réduit le risque de blessure grave.*



4 SYMBOLES FIGURANT SUR LA MACHINE


Certains des symboles suivants peuvent être utilisés sur cet outil. Veuillez les étudier et apprendre leur signification. Une bonne interprétation de ces symboles vous permettra de mieux utiliser l'outil et de manière plus sécuritaire.

Symbole	Explication
V	Voltage
	Courant direct
	Lisez tous les avertissements de sécurité et toutes les instructions.
	Alerte de sécurité
	Portez des protections oculaires
	Portez des protections auditives
	Vitesse faible
	Vitesse forte
	Ne touchez pas les parties rotatives.

5 NIVEAUX DE RISQUES

Les termes de mise en garde suivants et leur signification ont pour but d'expliquer les niveaux de risques associés à l'utilisation de ce produit.

SYMBOLE	SIGNAL	SIGNIFICATION
	DANGER	Indique une situation dangereuse imminente qui, si elle n'est pas évitée, peut entraîner la mort ou des blessures graves.
	AVERTISSEMENT	Indique une situation potentiellement dangereuse qui, si elle n'est pas évitée, peut entraîner la mort ou des blessures graves.

SYM-BOLE	SIGNAL	SIGNIFICATION
	MISE EN GARDE	Indique une situation potentiellement dangereuse qui, si elle n'est pas évitée, pourrait causer des blessures mineures ou modérées.
	MISE EN GARDE	(Sans symbole d'alerte de sécurité) indique une situation pouvant entraîner des dommages matériels.

6 PROPOSITION 65

▲ AVERTISSEMENT

Ce produit contient un produit chimique connu dans l'état de Californie comme étant une cause de cancer, de malformations congénitales ou d'autres problèmes de reproduction. Certaines poussières produites par le ponçage mécanique, le sciage, le meulage, le perçage et d'autres activités de construction contiennent des produits chimiques connus pour causer le cancer, des malformations congénitales ou d'autres problèmes de reproduction. Voici quelques exemples de ces produits chimiques :

- Plomb provenant de peintures à base de plomb;
- Silice cristalline provenant de briques, de ciment et d'autres produits de maçonnerie;
- Arsenic et chrome provenant de bois traité chimiquement.

Votre risque d'exposition à ces produits chimiques varie selon la fréquence à laquelle vous faites ce type de travail. Pour réduire votre exposition à ces produits chimiques, travaillez dans un endroit bien ventilé et utilisez un équipement de sécurité approuvé, comme des masques anti-poussière spécialement conçus pour filtrer les particules microscopiques.

Conservez ces instructions.

7 INSTALLATION

7.1 DÉBALLER LA MACHINE

▲ AVERTISSEMENT

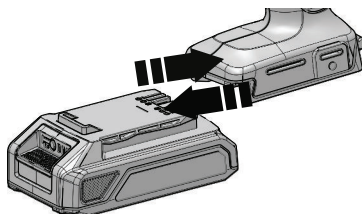
Assurez-vous d'assembler correctement la machine avant de l'utiliser.

▲ AVERTISSEMENT

- Si les pièces de la machine sont endommagées, ne l'utilisez pas.
- Si vous n'avez pas toutes les pièces, n'utilisez pas la machine.
- Si des pièces sont endommagées ou manquantes, communiquez avec le centre de service.

1. Ouvrez l'emballage.
2. Lisez la documentation contenue dans la boîte.
3. Retirez toutes les pièces non assemblées de la boîte.
4. Retirez la machine de sa boîte.
5. Jetez la boîte et l'emballage conformément aux règlements locaux.

7.2 INSTALLEZ LA BATTERIE



▲ AVERTISSEMENT

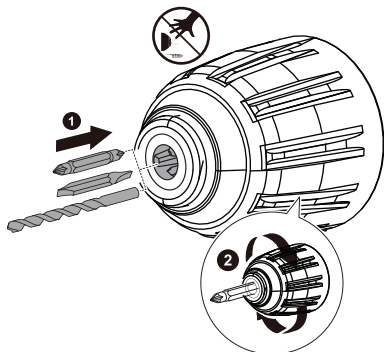
- Si la batterie ou le chargeur est endommagé, remplacez-le, au besoin.
- Arrêtez la machine et attendez que le moteur s'arrête avant d'installer ou de retirer la batterie.
- Lisez, comprenez et suivez les instructions du manuel de la batterie et du chargeur.

1. Alignez les languettes de la batterie avec les rainures du compartiment de batterie.
2. Poussez la batterie dans le compartiment de batterie jusqu'à ce qu'elle soit bien encliquetée.
3. Vous devriez entendre un clic lorsque la batterie sera insérée correctement.

7.3 RETIREZ LA BATTERIE

1. Poussez et maintenez enfoncé le bouton de déblocage de la batterie.
2. Retirez la batterie de la machine.

7.4 INSTALLEZ LA MÈCHE



1. Poussez l'interrupteur marche avant/arrière en position « neutre » pour verrouiller la gâchette.
2. Tournez le mandrin dans le sens antihoraire pour ouvrir.
3. Inclinez la machine vers le haut pour éviter que la mèche ne tombe
4. Placez la mèche dans l'ouverture du mandrin.
5. Assurez-vous que la mèche est centrée, puis tournez le mandrin dans le sens horaire pour serrer.

i REMARQUE

N'utilisez pas de clé pour serrer ou desserrer le mandrin.

▲ AVERTISSEMENT

Placez la mèche bien droite dans le mandrin. Ne mettez pas la mèche en position inclinée dans le mandrin avant de serrer.

7.5 RETIREZ LA MÈCHE

1. Poussez l'interrupteur marche avant/arrière en position « neutre » pour verrouiller la gâchette.
2. Tournez le mandrin dans le sens antihoraire pour ouvrir.
3. Retirez la mèche.

▲ AVERTISSEMENT

Préparez-vous à la butée lors de la perforation. Lorsque cela se produit, la perceuse a tendance à accrocher et cogner dans le sens inverse de la rotation ce qui peut provoquer une perte de contrôle lors de la perforation d'un matériau. Si vous n'y êtes pas préparé, cette perte de contrôle peut provoquer de graves blessures.

8 UTILISATION

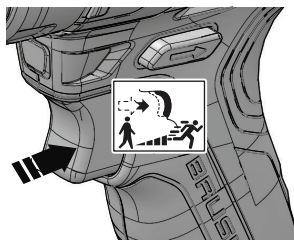
▲ AVERTISSEMENT

Portez toujours des lunettes de protection.

▲ AVERTISSEMENT

N'utilisez pas d'autres pièces ou d'accessoires non recommandés par le fabricant de ce produit.

8.1 DÉMARREZ LA MACHINE



i REMARQUE

L'appareil ne peut fonctionner qu'une fois que le bouton marche avant/arrière est entièrement poussé vers la gauche ou la droite. Ne faites pas fonctionner l'appareil à vitesse lente durant de longues périodes de temps.

1. Tirez sur la gâchette pour démarrer la perceuse.

Vitesse variable

La machine est équipée d'un commutateur à vitesse variable qui produit une vitesse plus élevée avec une pression de déclenchement plus élevée et une vitesse plus basse avec une pression de déclenchement réduite.

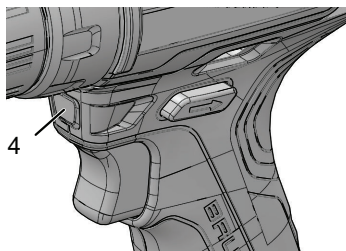
8.2 ARRÊTEZ LA MACHINE

1. Relâchez la gâchette pour arrêter la machine.

▲ AVERTISSEMENT

Relâchez la gâchette et laissez la machine s'arrêter complètement.

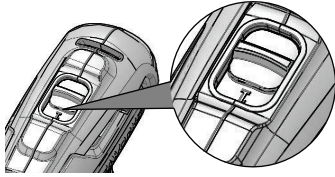
8.3 LUMIÈRE DEL



Le voyant DEL s'allume lorsque la gâchette est enfoncée.

Il fournit une lumière supplémentaire pour une meilleure visibilité.

8.4 INTERRUPTEUR À DEUX VITESSES



La machine est munie d'un interrupteur à deux vitesses conçu pour percer ou visser à basse (LO) vitesse (1) ou haute (HI) (2). Un interrupteur coulissant se trouve sur le dessus de l'appareil.

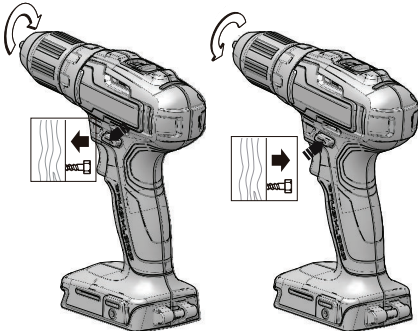
1. Lorsque vous utilisez l'appareil à la vitesse LO (1), la vitesse se réduit et l'appareil a plus de puissance et de couple.
2. Lorsque vous utilisez l'appareil à la vitesse HI (2), la vitesse augmente et l'appareil a moins de puissance et de couple.

▲ AVERTISSEMENT

Utilisez la vitesse LO (1) pour des applications de puissance et de couple élevées et HI (2) pour un perçage rapide ou du vissage.

8.5 INTERRUPTEUR AVANT / ARRIÈRE

La machine possède l'interrupteur (avant/arrière) au-dessus de la gâchette pour changer la rotation.



1. Lorsque l'interrupteur marche arrière se trouve à gauche du bouton marche/arrêt, la direction de la mèche est vers l'avant (serrage).
2. Lorsque l'interrupteur marche arrière se trouve à gauche du bouton marche/arrêt, la direction de la mèche est vers l'arrière (desserrage).
3. Placez l'interrupteur dans la position OFF (verrou central) pour permettre de réduire les risques de démarrage accidentel lorsque vous n'utilisez pas l'appareil.

▲ AVERTISSEMENT

Relâchez la gâchette et attendez que le mandrin s'arrête complètement.

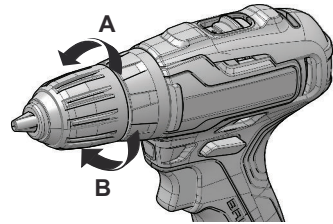
▲ AVERTISSEMENT

Attendez que le mandrin s'arrête complètement avant de changer le sens de rotation.

i REMARQUE

La machine ne peut fonctionner qu'une fois que l'interrupteur marche avant/arrière est entièrement poussé vers la gauche ou la droite.

8.6 RÉGLAGES DU COUPLAGE



1. A. La direction pour diminuer le couple.
2. B. La direction pour augmenter le couple.

8.7 MATÉRIAUX DE PERÇAGE

- Lorsque vous percez des surfaces dures, molles, utilisez un poinçon pour marquer l'endroit où vous souhaitez faire le trou. Cela permet d'éviter que la perceuse-visseuse ne glisse du centre au début du perçage.
- Lorsque vous percez du métal, mettez une huile légère sur la mèche de la perceuse pour éviter que celle-ci chauffe. L'huile peut prolonger la vie de la mèche et augmenter la capacité de perçage.
- Si la mèche se coince dans la pièce à percer ou si la perceuse tombe, stoppez immédiatement l'utilisation de l'appareil. Retirez la mèche de la pièce et analysez les causes du blocage.

i REMARQUE

Cette perceuse est munie d'un frein électrique. Lorsque la gâchette est relâchée, le mandrin arrête de tourner. Lorsque le frein fonctionne correctement, des étincelles peuvent apparaître à travers les fentes d'aération du boîtier. Ce phénomène est normal et correspond à l'action du frein.

PERÇAGE DU BOIS

Pour un rendement maximum, utilisez des mèches en acier spéciales bois et grande vitesse.

1. Utilisez l'appareil à une vitesse très faible pour éviter que la mèche ne glisse du point de départ. Augmentez la vitesse au fur et à mesure que la perceuse perce le matériau.
2. Lorsque vous percez des trous, placez un morceau de bois derrière la pièce de perçage pour éviter des bords déchiquetés ou fissurés derrière le trou.

PERÇAGE DU MÉTAL

Pour un rendement maximum, utilisez des mèches spéciales bois, en acier et pour grande vitesse.

1. Utilisez l'appareil à une vitesse très faible pour éviter que la mèche ne glisse du point de départ.
2. Maintenez une vitesse et une pression constantes pour éviter de surchauffer la mèche. Une pression trop forte peut: Surchauffer la perceuse; abîmer les roulements, tordre ou faire fondre les mèches et faire des trous excentrés ou de formes irrégulières.
3. Lorsque vous faites de grands trous dans le métal, commencez avec une petite mèche puis finissez avec une grande. De plus, lubrifiez la mèche avec de l'huile pour améliorer son action et augmenter la durée de vie de la mèche.

9 ENTRETIEN

▲ ATTENTION

Évitez que les liquides de freins, l'essence et les matériaux à base de pétrole ne viennent en contact avec les pièces en plastique. Les produits chimiques peuvent endommager le plastique et le rendre inutilisable.

▲ ATTENTION

N'utilisez pas de solvants ou de détergents puissants sur le boîtier ou les composants en plastique.

▲ AVERTISSEMENT

Retirez le bloc-batterie de la machine avant l'entretien.

9.1 NETTOYEZ LA MACHINE

▲ ATTENTION

La machine doit être sèche. L'humidité peut provoquer des risques de chocs électriques.

- Enlevez les matières indésirables de l'évent d'air à l'aide d'un aspirateur.
- Ne vaporisez pas l'évent d'air et ne le plongez pas dans des solvants.
- Nettoyez le boîtier et les composants en plastique avec un chiffon doux et humide.

10 DONNÉES TECHNIQUES

Voltage	24 V
---------	------

Moteur	Sans balais
Vitesse à vide	0-380 / 0-1450 min ⁻¹
Mandrin	13 mm Sans clé
Réglages du couplage	18 Positions + Perceuse
Clé de serrage	310 po-lb (35 Nm)
Poids sans batterie	2.27 lb (1.03 kg)
Batterie modèle	LB24A020 et autres séries BAG
Chargeur modèle	CAG828 et autres séries CAG

La plage de température ambiante recommandée :

Article	Température
Plage de température d'entreposage de l'appareil	32°F (0°C) - 113°F (45°C)
Plage de température de fonctionnement de l'appareil	32°F (0°C) - 113°F (45°C)
Plage de température de rechargement de la batterie	39°F (4°C) - 104°F (40°C)
Plage de température de fonctionnement du chargeur	39°F (4°C) - 104°F (40°C)
Plage de température d'entreposage de la batterie	32°F (0°C) - 113°F (45°C)
Plage de température de déchargement de la batterie	32°F (0°C) - 113°F (45°C)

11 GARANTIE LIMITÉE



Greenworks garantit par la présente ce produit, à l'acheteur original avec preuve d'achat, pour une période de trois (3) ans contre tout défaut de matériaux, de pièces ou de main-d'œuvre. Greenworks, à sa propre discrétion, réparera ou remplacera toutes les pièces défectueuses, dans des conditions normales d'utilisation, sans frais pour le client. Cette garantie n'est valable que pour les appareils qui ont été utilisés à des fins personnelles, qui n'ont pas été loués à des fins industrielles ou commerciales et qui ont été entretenus conformément aux instructions du manuel du propriétaire fourni avec le produit neuf.

ARTICLES NON COUVERTS PAR LA GARANTIE :

1. Toute pièce qui est devenue inopérante en raison d'une mauvaise utilisation, d'une utilisation commerciale, d'un abus, d'une négligence, d'un accident, d'un entretien inapproprié ou d'une modification; ou
2. L'appareil, s'il n'a pas été utilisé et/ou entretenu conformément au manuel du propriétaire; ou
3. Usure normale;
4. Articles d'entretien courant tels que lubrifiants, affûtage des lames;
5. Détérioration normale du fini extérieur due à l'utilisation ou à l'exposition.

ASSISTANCE TÉLÉPHONIQUE :

Le service de garantie est accessible en appelant notre ligne d'assistance téléphonique sans frais, au 1-888-909-6757.

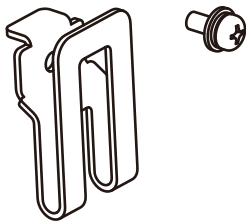
FRAIS DE TRANSPORT :

Les frais de transport pour le déplacement de tout équipement motorisé ou accessoire sont à la charge de l'acheteur. Il incombe à l'acheteur de payer les frais de transport pour toute pièce retournée pour remplacement en vertu de la présente garantie, à moins qu'un tel retour soit demandé par écrit par Greenworks.

Adresse aux États-Unis : Adresse au Canada :

Greenworks Tools	Greenworks Tools Canada Inc.
P.O. Box 1238	P.O. Box 93095, Newmarket, Ontario
Mooresville, NC 28115	L3Y 8K3

12 VUE ÉCLATÉE



No	QT É	Description
R0203143-00	1	Clip de ceinture

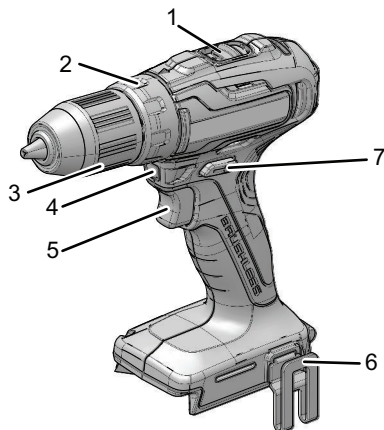
1	Descripción.....	21	7	Instalación.....	24
1.1	Finalidad.....	21	7.1	Desembalaje de la máquina.....	24
1.2	Perspectiva general.....	21	7.2	Instalación de la batería.....	24
2	Advertencias generales de seguridad para herramientas eléctricas.....	21	7.3	Retirada de la batería.....	24
2.1	Seguridad de la zona de trabajo.....	21	7.4	Instalación de la broca.....	25
2.2	Seguridad eléctrica.....	21	7.5	Retirada de la broca.....	25
2.3	Seguridad personal.....	22	8	Funcionamiento.....	25
2.4	Utilización y cuidado de herramientas eléctricas.....	22	8.1	Puesta en marcha de la máquina.....	25
2.5	Utilización y cuidado de herramientas a batería.....	22	8.2	Detención de la máquina.....	25
2.6	Servicio.....	23	8.3	Luz LED.....	25
3	Advertencias de seguridad para taladros.....	23	8.4	Interruptor de dos velocidades.....	26
4	Símbolos en el producto.....	23	8.5	Interruptor de avance / retroceso.....	26
5	Niveles de riesgo.....	23	8.6	Ajustes de embrague.....	26
6	Propuesta 65.....	24	8.7	Perforación de materiales.....	26
			9	Mantenimiento.....	27
			9.1	Limpieza de la máquina.....	27
			10	Datos técnicos.....	27
			11	Garantía limitada.....	27
			12	Vista despiezada.....	28

1 DESCRIPCIÓN

1.1 FINALIDAD

Esta máquina se utiliza para perforar todo tipo de materiales de madera (tablas, contrachapado, planchas, aglomerado y tablero duro), cerámica, plásticos, fibra de vidrio, laminados y metales.

1.2 PERSPECTIVA GENERAL



- | | |
|--------------------------------------|-----------------------|
| 1 Velocidad alta /
Velocidad baja | 4 Luz LED |
| 2 Ajuste de par | 5 Gatillo |
| 3 Portabrocas sin llave
de 1/2" | 6 Pinza para cinturón |
| | 7 Avance / retroceso |

2 ADVERTENCIAS GENERALES DE SEGURIDAD PARA HERRAMIENTAS ELÉCTRICAS

▲ AVISO

Lea todas las advertencias de seguridad y todas las instrucciones. El incumplimiento de las advertencias e instrucciones puede provocar descargas eléctricas, incendios o lesiones graves.

Guarde todas las advertencias e instrucciones para su consulta posterior.

El término "herramienta eléctrica" empleado en las advertencias se refiere a su herramienta eléctrica con funcionamiento de red (con cable) o herramienta eléctrica con funcionamiento a batería (inalámbrica).

2.1 SEGURIDAD DE LA ZONA DE TRABAJO

- Mantenga limpia y bien iluminada la zona de trabajo. Las zonas desordenadas u oscuras fomentan los accidentes.
- No utilice herramientas eléctricas en atmósferas explosivas, como en la presencia de líquidos, gases o polvo que puedan inflamarse. Las herramientas eléctricas generan chispas que pueden encender el polvo o los gases.
- Mantenga alejados a los niños y los transeúntes mientras utilice una herramienta eléctrica. Las distracciones pueden hacer que pierda el control.
- Esta herramienta no ha sido concebida para ser utilizada por personas (incluidos niños) con discapacidades físicas, sensoriales o mentales, o sin experiencia ni conocimiento del producto, a menos que estén bajo supervisión o hayan recibido instrucciones sobre el uso del aparato por parte de una persona responsable de su seguridad. Los niños deben estar bajo vigilancia para asegurarse de que no juegan con el aparato.

2.2 SEGURIDAD ELÉCTRICA

- Los enchufes de las herramientas eléctricas deben corresponder con la toma de corriente. Nunca modifique el enchufe en modo alguno. No utilice enchufes adaptadores con herramientas eléctricas conectadas a tierra. La utilización de enchufes no modificados y de tomas de corriente adecuadas reducirá el riesgo de descarga eléctrica.
- Evite el contacto del cuerpo con superficies conectadas a tierra, como tuberías, radiadores, estufas y refrigeradores. Existe un riesgo aumentado de descarga eléctrica si su cuerpo está conectado a tierra.
- No exponga las herramientas eléctricas a la lluvia o a condiciones de humedad. Si penetra agua en una herramienta eléctrica, aumentará el riesgo de descarga eléctrica.
- No abuse del cable. Nunca utilice el cable para transportar, tirar o desenchufar la herramienta eléctrica. Mantenga el cable alejado del calor, el aceite, los bordes afilados y las piezas móviles. Los cables dañados o enredados aumentan el riesgo de descarga eléctrica.
- Cuando utilice una herramienta eléctrica en exteriores, use un cable alargador adecuado para uso en exterior. La utilización de un cable adecuado para uso en exterior reduce el riesgo de descarga eléctrica.
- Si no es inevitable el uso de una herramienta eléctrica en un lugar húmedo, utilice un suministro protegido por un dispositivo de corriente residual (RCD). La utilización de un RCD reduce el riesgo de descarga eléctrica.

2.3 SEGURIDAD PERSONAL

- **Manténgase alerta, observe lo que está haciendo y emplee el sentido común cuando utilice una herramienta eléctrica. No utilice una herramienta eléctrica mientras esté cansado o bajo la influencia de drogas, alcohol o medicamentos.** *Una falta de atención durante el uso de herramientas eléctricas puede provocar lesiones personales graves.*
- **Utilice protección personal. Lleve siempre protección ocular.** *Si se utilizan correctamente productos de protección como máscaras antipolvo, zapatos de seguridad antideslizantes, cascos o protecciones auditivas, se reducirán las lesiones personales.*
- **Evite el arranque accidental. Asegúrese de que el interruptor esté en la posición de apagado antes de conectar a la fuente de alimentación o a la batería y al coger o transportar la herramienta.** *El transporte de herramientas eléctricas con el dedo en el interruptor o la conexión de herramientas eléctricas que tienen el interruptor activado fomenta los accidentes.*
- **Retire cualquier llave de ajuste antes de encender la herramienta eléctrica.** *Una llave que se quede fijada a una pieza giratoria de la herramienta eléctrica puede provocar lesiones personales.*
- **No se estire. Mantenga en todo momento una postura adecuada y el equilibrio.** *Esto permite un mejor control de la herramienta eléctrica en situaciones inesperadas.*
- **Lleve indumentaria adecuada. No lleve ropa o joyas sueltas. Mantenga el cabello, la ropa y los guantes lejos de las piezas móviles.** *La ropa suelta, las joyas o el cabello largo pueden quedar atrapados en las piezas móviles.*
- **Si se utilizan dispositivos para la conexión de sistemas de extracción y recogida de polvo, asegúrese de que estén conectados y se utilicen correctamente.** *La utilización de sistemas de recogida de polvo puede reducir los riesgos relacionados con el polvo.*

2.4 UTILIZACIÓN Y CUIDADO DE HERRAMIENTAS ELÉCTRICAS

- **No fuerce la herramienta eléctrica. Utilice la herramienta eléctrica correcta para su aplicación.** *La herramienta eléctrica correcta hará el trabajo mejor y con mayor seguridad a la velocidad para la que se diseñó.*
- **No utilice la herramienta eléctrica si el interruptor no la enciende y la apaga.** *Cualquier herramienta eléctrica que no pueda controlarse con el interruptor es peligrosa y debe repararse.*
- **Desconecte el enchufe de la fuente de alimentación o la batería de la herramienta eléctrica antes de realizar ajustes, cambiar accesorios o almacenar herramientas eléctricas.** *Estas medidas de seguridad preventivas reducen el riesgo de que la herramienta eléctrica se arranque accidentalmente.*
- **Almacene las herramientas eléctricas inactivas fuera del alcance de los niños y no permita que personas que**

no estén familiarizadas con la herramienta eléctrica o estas instrucciones puedan utilizarla. *Las herramientas eléctricas son peligrosas en manos de usuarios inexpertos.*

- **Mantenga las herramientas eléctricas y los accesorios. Compruebe si hay desalineación o unión de las piezas móviles, rotura de piezas y cualquier otra condición que pueda afectar al funcionamiento de la herramienta eléctrica.** *Si ha sufrido daños, lleve a reparar la herramienta eléctrica antes del uso. Numerosos accidentes se deben a herramientas eléctricas mal mantenidas.*
- **Mantenga limpias y afiladas las herramientas de corte.** *Las herramientas de corte mantenidas correctamente con filos cortantes tienen menos probabilidades de atascarse y son más fáciles de controlar.*
- **Utilice la herramienta eléctrica, los accesorios, las brocas, etc. de acuerdo con estas instrucciones, teniendo en cuenta las condiciones de trabajo y el trabajo a realizar.** *El uso de la herramienta eléctrica para operaciones distintas de las previstas podría dar lugar a una situación peligrosa.*
- **Mantenga las asas y las superficies de agarre secas, limpias y sin restos de aceite y grasa.** *Las asas y las superficies de agarre resbaladizas no permiten un manejo y control seguros de la herramienta en situaciones inesperadas.*

2.5 UTILIZACIÓN Y CUIDADO DE HERRAMIENTAS A BATERÍA

- **Recargue solo con el cargador especificado por el fabricante.** *Un cargador adecuado para un tipo de batería puede dar lugar a un riesgo de incendio cuando se usa con otra batería.*
- **Utilice las herramientas eléctricas únicamente con las baterías designadas específicamente.** *El uso de cualquier otra batería puede dar lugar a un riesgo de lesiones e incendio.*
- **Cuando la batería no esté en uso, manténgala alejada de otros objetos metálicos como clips, monedas, llaves, clavos, tornillos u otros objetos metálicos pequeños que puedan hacer una conexión entre los terminales.** *El cortocircuito de los terminales de la batería puede provocar quemaduras o incendios.*
- **Bajo condiciones abusivas, es posible que salga líquido despedido de la batería; evite el contacto. Si se produce un contacto accidental, aclare con abundante agua y jabón. Si el líquido entra en contacto con los ojos, acuda al médico inmediatamente.** *El líquido despedido de la batería puede provocar irritación o quemaduras.*
- **No utilice una batería o una herramienta que haya sufrido daños o modificaciones.** *Las baterías dañadas o modificadas pueden exhibir un comportamiento impredecible que puede dar lugar a un incendio, una explosión o un riesgo de lesiones.*

- **No exponga una batería o una herramienta al fuego ni a temperatura excesiva.** *La exposición al fuego o a una temperatura superior a 130 °C puede provocar una explosión.*
- **Siga todas las instrucciones de carga y no cargue la batería o la herramienta fuera del intervalo de temperatura especificado en las instrucciones.** *La carga incorrecta o a temperaturas fuera del intervalo especificado puede dañar la batería y aumentar el riesgo de incendio.*
- **Lleve siempre gafas de seguridad con protectores laterales marcadas para cumplir la ANSI Z87.1.** *Si respeta esta instrucción reducirá el riesgo de lesiones graves.*
- **Proteja sus pulmones. Lleve una máscara facial o antipolvo si se levanta polvo durante el funcionamiento.** *Si respeta esta instrucción reducirá el riesgo de lesiones graves.*
- **Proteja sus oídos. Lleve protección auditiva durante periodos prolongados de funcionamiento.** *Si respeta esta instrucción reducirá el riesgo de lesiones graves.*

2.6 SERVICIO

- **Solicite a un técnico de reparación cualificado que realice las tareas de servicio de su herramienta eléctrica utilizando únicamente piezas de repuesto idénticas.** *Esto garantizará el mantenimiento de la seguridad de la herramienta eléctrica.*
- **Nunca repare las baterías dañadas.** *La reparación de las baterías únicamente debe ser realizada por el fabricante o los proveedores de servicio técnico autorizados.*

3 ADVERTENCIAS DE SEGURIDAD PARA TALADROS

- **Sujete la herramienta eléctrica solo por las superficies de agarre aisladas, antes de realizar una operación en la que el accesorio de corte pueda entrar en contacto con cableado oculto.** *Si el accesorio de corte o los elementos de fijación entran en contacto con un cable "con corriente", esto puede hacer que las piezas metálicas expuestas de la herramienta eléctrica "tengan corriente" y podrían producir una descarga eléctrica al operario.*
- **Nunca trabaje a una velocidad mayor que la velocidad nominal máxima de la broca.** *A velocidades más altas, es probable que la broca se doble si se permite que gire libremente sin tocar la pieza de trabajo, lo que provocará lesiones personales.*
- **Lleve protectores auditivos cuando realice una perforación con impacto.** *La exposición al ruido puede provocar la pérdida auditiva.*
- **Aplique presión únicamente en línea directa con la broca y no aplique una presión excesiva.** *Las brocas pueden doblarse y provocar una rotura o pérdida de control, lo que dará lugar a lesiones personales.*
- **Empiece siempre a perforar a baja velocidad y con la punta de la broca en contacto con la pieza de trabajo.** *A velocidades más altas, es probable que la broca se doble si se permite que gire libremente sin tocar la pieza de trabajo, lo que provocará lesiones personales.*
- **Debe conocer su herramienta eléctrica. Lea detenidamente el manual del operario.** *Aprenda sus aplicaciones y limitaciones, así como los riesgos potenciales específicos relacionados con esta herramienta eléctrica. Si respeta esta instrucción reducirá el riesgo de descargas, incendios o lesiones graves.*



4 SÍMBOLOS EN EL PRODUCTO

En esta herramienta pueden utilizarse algunos de los siguientes símbolos. Le rogamos que los estudie y aprenda su significado. La interpretación correcta de estos símbolos le permitirá manejar la herramienta mejor y de manera más segura.

Símbolo	Explicación
V	Tensión
— — —	Corriente continua
	Lea todas las advertencias de seguridad y todas las instrucciones.
	Alerta de seguridad
	Lleve protección ocular
	Lleve protección auditiva
	Velocidad baja
	Velocidad alta
	No toque la pieza giratoria.

5 NIVELES DE RIESGO

Las siguientes indicaciones y significados tienen como fin explicar los niveles de riesgo asociados a este producto.

SÍMBOLO	INDICACIÓN	SIGNIFICADO
	PELIGRO	Indica una situación de peligro inminente que, de no evitarse, provocará lesiones graves o incluso la muerte.
	ADVERTENCIA	Indica una situación de peligro potencial que, de no evitarse, podría provocar lesiones graves o incluso la muerte.
	PRECAUCIÓN	Indica una situación de peligro potencial que, de no evitarse, puede provocar lesiones leves o moderadas.
	PRECAUCIÓN	(Sin símbolo de alerta sobre seguridad) Indica una situación que puede provocar daños materiales.

6 PROPUESTA 65

▲ AVISO

Este producto contiene una sustancia química conocida en el estado de California como causante de cáncer, defectos de nacimiento u otros daños reproductivos. El polvo generado por el lijado eléctrico, el serrado, el esmerilado, la perforación y otras actividades de construcción contiene sustancias químicas que se sabe que son causantes de cáncer, defectos de nacimiento u otros daños reproductivos. Algunos ejemplos de estas sustancias químicas son:

- Plomo de pinturas con base de plomo;
- Sílice cristalina de ladrillos y cemento y otros productos de albañilería;
- Arsénico y cromo de la madera tratada químicamente.

El riesgo de exposición a estas sustancias químicas varía según la frecuencia con la que realice este tipo de trabajo. Para reducir su exposición a estas sustancias químicas, trabaje en una zona bien ventilada y trabaje con equipos de seguridad aprobados, como máscaras antipolvo, que estén especialmente diseñadas para filtrar partículas microscópicas.

Conserve estas instrucciones.

7 INSTALACIÓN

7.1 DESEMBALAJE DE LA MÁQUINA

▲ AVISO

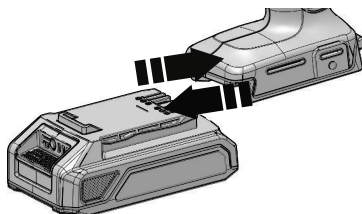
Asegúrese de montar correctamente la máquina antes del uso.

▲ AVISO

- Si las piezas de la máquina presentan daños, no utilice la máquina.
- Si no tiene todas las piezas, no utilice la máquina.
- Si faltan piezas o hay piezas dañadas, contacte con el centro de servicio.

1. Abra el embalaje.
2. Lea la documentación que se proporciona en la caja.
3. Retire todas las piezas sin montar de la caja.
4. Retire la máquina de la caja.
5. Deseche la caja y el material de embalaje de conformidad con los reglamentos locales.

7.2 INSTALACIÓN DE LA BATERÍA



▲ AVISO

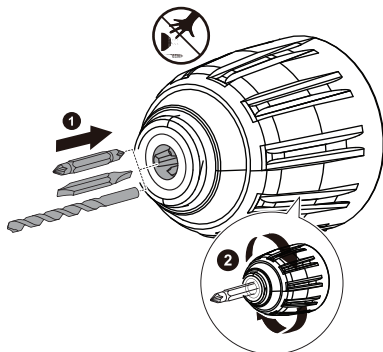
- Si la batería o el cargador ha sufrido daños, sustituya la batería o el cargador.
- Detenga la máquina y espere hasta que el motor se pare antes de instalar o retirar la batería.
- Debe leer, conocer y seguir las instrucciones del manual de la batería y el cargador.

1. Alinee las nervaduras de elevación de la batería con las ranuras del compartimento de la batería.
2. Introduzca la batería en el compartimento de la batería hasta que encaje en su posición.
3. Cuando escuche un clic, la batería está instalada.

7.3 RETIRADA DE LA BATERÍA

1. Pulse y mantenga pulsado el botón de desbloqueo de la batería.
2. Retire la batería de la máquina.

7.4 INSTALACIÓN DE LA BROCA



1. Empuje el interruptor de avance/retroceso a la posición "neutra" para bloquear el gatillo.
2. Gire el portabrocas en sentido antihorario para abrir.
3. Inclíne la máquina hacia arriba para evitar que la broca se caiga
4. Ponga la broca en la ranura del portabrocas.
5. Asegúrese de que la broca esté centrada, posteriormente, gire el portabrocas en sentido horario para apretarlo.

i NOTA

No utilice una llave para apretar o aflojar el portabrocas.

▲ AVISO

Ponga la broca directamente en las mordazas del portabrocas. No ponga la broca en las mordazas del portabrocas en ángulo, a continuación, apriete.

7.5 RETIRADA DE LA BROCA

1. Empuje el interruptor de avance/retroceso a la posición "neutra" para bloquear el gatillo.
2. Gire el portabrocas en sentido antihorario para abrir.
3. Retire la broca.

▲ AVISO

Esté preparado para posibles atascos a medida que avanza la broca. Cuando se producen estas situaciones, el taladro tiene una tendencia a atascarse y retroceder en dirección contraria a la dirección de rotación y podría provocar la pérdida de control al romper el material. Si no está preparado, esta pérdida de control puede producir posibles lesiones graves.

8 FUNCIONAMIENTO

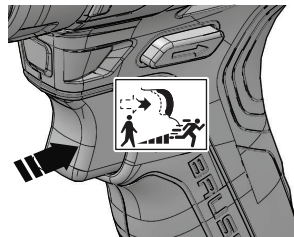
▲ AVISO

Lleve siempre protección ocular.

▲ AVISO

No utilice ningún accesorio no recomendado por el fabricante de este producto.

8.1 PUESTA EN MARCHA DE LA MÁQUINA



i NOTA

La máquina no puede funcionar hasta que el interruptor de avance / retroceso se empuje totalmente hacia la izquierda o la derecha. No utilice la máquina a bajas velocidades durante periodos prolongados de tiempo.

1. Apriete el gatillo para encender el taladro.

Velocidad variable

La máquina tiene un interruptor de velocidad variable que ofrece mayor velocidad con mayor presión del gatillo y menor velocidad con menor presión de gatillo.

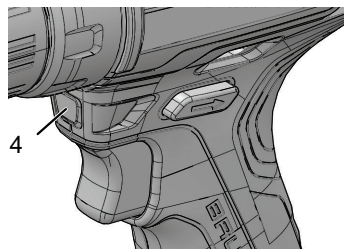
8.2 DETENCIÓN DE LA MÁQUINA

1. Suelte el gatillo para apagar la máquina.

▲ AVISO

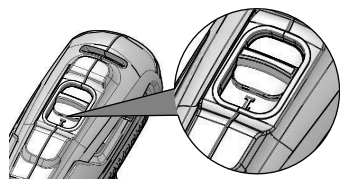
Suelte el gatillo y deje que la máquina se detenga por completo.

8.3 LUZ LED



La luz LED se ilumina cuando se aprieta el gatillo. Ofrece luz adicional para una mayor visibilidad.

8.4 INTERRUPTOR DE DOS VELOCIDADES



La máquina tiene un interruptor de dos velocidades diseñado para perforar o atornillar a velocidades LO (1) o HI (2). En la parte superior de la máquina hay un interruptor deslizante.

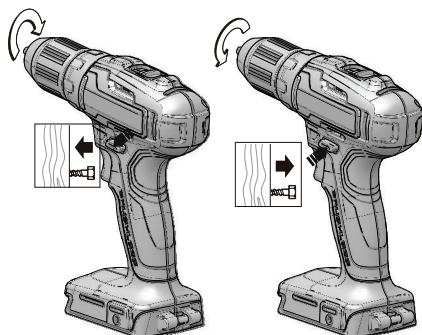
1. Cuando utiliza la máquina en la velocidad LO (1), la velocidad disminuye y la máquina tiene más potencia y par.
2. Cuando utiliza la máquina en la velocidad HI (2), la velocidad aumenta y la máquina tiene menos potencia y par.

▲ AVISO

Utilice la velocidad LO (1) para aplicaciones de alta potencia y par y la velocidad HI (2) para aplicaciones de perforación rápida o atornillado.

8.5 INTERRUPTOR DE AVANCE / RETROCESO

La máquina tiene el interruptor (avance / retroceso) sobre el gatillo para cambiar la rotación.



1. Cuando el interruptor está en el lado izquierdo del gatillo, la dirección de la broca es hacia delante (apriete).
2. Cuando el interruptor está en el lado derecho del gatillo, la dirección de la broca se invierte (afloje).
3. Sitúe el interruptor en la posición de apagado (bloqueo central) para ayudar a disminuir la posibilidad de una puesta en marcha accidental cuando no esté en funcionamiento.

▲ AVISO

Suelte el gatillo y deje que el portabrocas se detenga por completo.

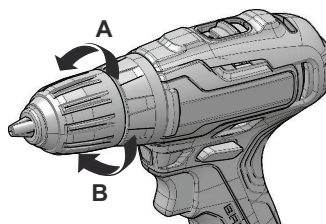
▲ AVISO

Deje que el portabrocas se pare por completo antes de cambiar la dirección de rotación.

¡ NOTA

La máquina no funciona hasta que el interruptor de avance / retroceso se empuje totalmente hacia la izquierda o la derecha.

8.6 AJUSTES DE EMBRAGUE



1. A. La dirección para disminuir el par.
2. B. La dirección para aumentar el par.

8.7 PERFORACIÓN DE MATERIALES

- Cuando taladre sobre superficies duras o lisas, utilice un punzón para marcar el lugar donde desea taladrar el orificio. Esto puede evitar que la broca se salga del centro cuando se inicia la perforación.
- Al taladrar metales, utilice un aceite ligero en la broca para evitar que se sobrecaliente. El aceite puede prolongar la vida útil de la broca y aumentar la acción de perforación.
- Si la broca se atasca en la pieza de trabajo o si el taladro se cae, deje de utilizar la máquina inmediatamente. Retire la broca de la pieza de trabajo y analice la causa del atasco.

¡ NOTA

Este taladro tiene un freno eléctrico. Cuando se suelta el gatillo interruptor, el portabrocas deja de girar. Cuando el freno funciona correctamente, pueden verse chispas a través de las ranuras de ventilación en la carcasa. Esto es normal y es la acción del freno.

PERFORACIÓN EN MADERA

Para obtener el máximo rendimiento, utilice brocas de acero de alta velocidad para taladrar madera.

1. Utilice la máquina a una velocidad muy baja para evitar que la broca se deslice del punto de inicio. Aumente la velocidad a medida que la broca penetra en el material.

2. Cuando taladre orificios, coloque un trozo de madera detrás de la pieza de trabajo para evitar los bordes rasgados o astillados en la parte posterior del orificio.

PERFORACIÓN EN METAL

Para obtener el máximo rendimiento, utilice brocas de acero de alta velocidad para taladrar en metal o acero.

1. Utilice la máquina a una velocidad muy baja para evitar que la broca se deslice del punto de inicio.
2. Mantenga una velocidad y una presión constantes para evitar el sobrecalentamiento de la broca. Aplicar demasiada presión puede: Sobrecalentar el taladro, desgastar los rodamientos, doblar o quemar las brocas y producir orificios descentrados o de forma irregular.
3. Cuando taladre orificios grandes en metal, comience con una broca pequeña, posteriormente termine con una broca grande. Asimismo, lubrique la broca con aceite para mejorar la acción de perforación y aumentar la vida útil de la misma.

9 MANTENIMIENTO

▲ PRECAUCIÓN

No permita que líquidos de frenos, gasolina y otros derivados del petróleo toquen las piezas de plástico. Las sustancias químicas pueden dañar el plástico y hacer que quede inservible.

▲ PRECAUCIÓN

No utilice disolventes o detergentes fuertes en la carcasa o los componentes de plástico.

▲ AVISO

Retire la batería de la máquina antes de realizar tareas de mantenimiento.

9.1 LIMPIEZA DE LA MÁQUINA

▲ PRECAUCIÓN

La máquina debe estar seca. La humedad supone un riesgo de descargas eléctricas.

- Quite el material no deseado del respiradero con un aspirador.
- No pulverice el respiradero ni lo introduzca en disolventes.
- Limpie la carcasa y los componentes de plástico con un paño húmedo y suave.

10 DATOS TÉCNICOS

Tensión	24 V
Motor	Sin escobillas
Velocidad sin carga	0-380 / 0-1450 min ⁻¹

Portabrocas	13 mm Sin llave
Ajustes de embrague	18 posiciones + taladro
Par	310 In-lbs (35 Nm)
Peso sin batería	2.27 lbs (1.03 kg)
Modelo de batería	LB24A020 y otras series BAG
Modelo de cargador	CAG828 y otras series CAG

El intervalo de temperatura ambiente recomendado:

Elemento	Temperatura
Intervalo de temperatura de almacenamiento del aparato	32°F (0°C) - 113°F (45°C)
Intervalo de temperatura de funcionamiento del aparato	32°F (0°C) - 113°F (45°C)
Intervalo de temperatura de carga de la batería	39°F (4°C) - 104°F (40°C)
Intervalo de temperatura de funcionamiento del cargador	39°F (4°C) - 104°F (40°C)
Intervalo de temperatura de almacenamiento de la batería	32°F (0°C) - 113°F (45°C)
Intervalo de temperatura de descarga de la batería	32°F (0°C) - 113°F (45°C)

11 GARANTÍA LIMITADA



Por la presente Greenworks garantiza este producto, al comprador original con el comprobante de compra, durante un periodo de tres (3) años frente a defectos en materiales, piezas o mano de obra. A su entera discreción Greenworks reparará o sustituirá cualquiera y todas las piezas que resulten ser defectuosas, con un uso normal, sin coste alguno para el cliente. Esta garantía es válida únicamente para unidades que se hayan utilizado para uso personal que no han sido compradas o alquiladas para uso industrial/comercial y cuyo mantenimiento se ha realizado de acuerdo con las instrucciones del manual del propietario suministrado con el producto nuevo.

ARTÍCULOS NO CUBIERTOS POR LA GARANTÍA:

1. Cualquier pieza que no funcione debido a mal uso, uso comercial, abuso, negligencia, accidente, mantenimiento inadecuado o alteración; o

2. La unidad, si no ha sido utilizada o mantenida de acuerdo con el manual del propietario; o
3. Desgaste normal;
4. Artículos de mantenimiento de rutina tales como lubricantes, afilado de cuchillas;
5. Deterioro normal del acabado exterior debido al uso o la exposición.

LÍNEA DE ASISTENCIA TELEFÓNICA:

Puede contactar con el servicio de garantía llamando a nuestra línea de asistencia telefónica gratuita a 1-888-909-6757.

COSTES DE TRANSPORTE:

Los costes de transporte por el desplazamiento de cualquier unidad o accesorio de equipos eléctricos son responsabilidad del comprador. Es responsabilidad del comprador pagar los costes de transporte de cualquier pieza enviada para su sustitución bajo esta garantía, a menos que dicha devolución sea solicitada por escrito por Greenworks.

Dirección en EE.UU.:

Greenworks Tools

P.O. Box 1238

Mooresville, NC 28115

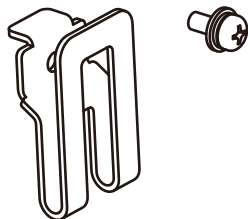
Dirección en Canadá:

Greenworks Tools Canada, Inc.

P.O. Box 93095, Newmarket,
Ontario

L3Y 8K3

12 VISTA DESPIEZADA



N.º	CA NT.	Descripción
R0203143-00	1	Pinza para cinturón

