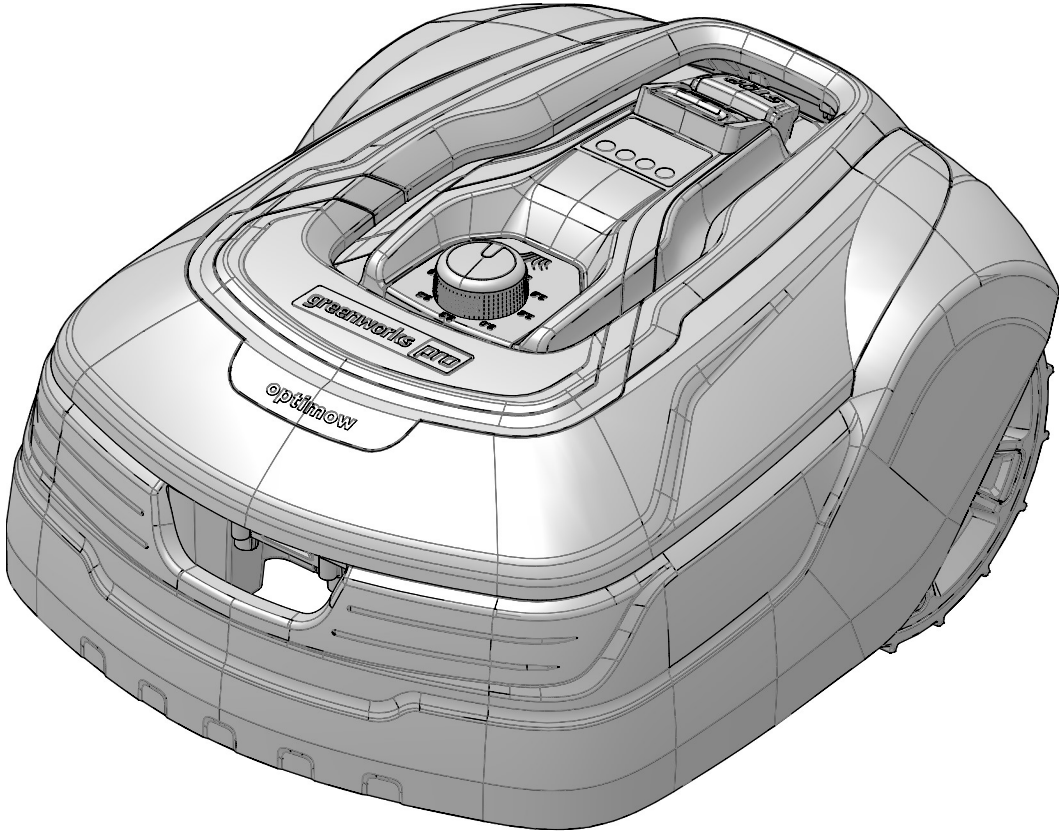




2529802/2529902/  
2530002/2530102

P0802512-01 Rev B

EN	Robotic Lawnmower	OPERATOR'S MANUAL
FR	Tondeuse à gazon robotique	MANUEL OPÉRATEUR
ES	Cortacésped robótico	MANUAL DEL OPERARIO



**Optimow 25H/ Optimow 50H**  
**Optimow 25/ Optimow 50**

[www.optimow.com](http://www.optimow.com)

The following pages contain safety instructions, servicing and maintenance. For the operation please see the quick guide supplied with the machine.

Carefully read and review all safety instructions, warnings and cautions contained in this manual and the quick guide.

Failure to read and follow these instructions, warnings and cautionary statements may result in severe injury or death to persons and pets or damage to personal property.

**THE FULL INSTRUCTION MANUAL IS AVAILABLE ON WEBSITE:**

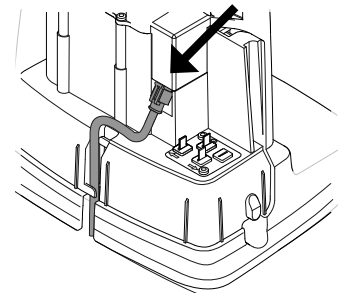
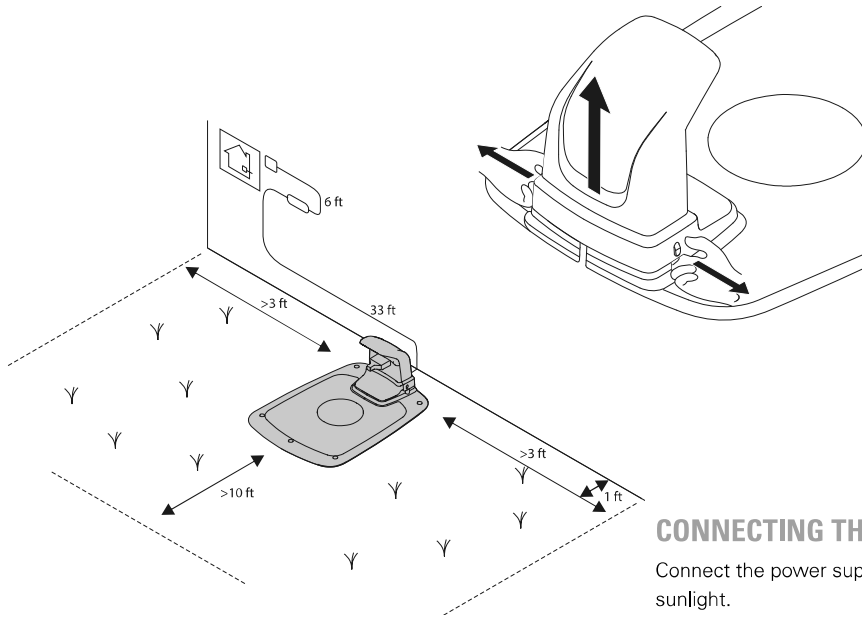
<https://url.globetools.systems/otdzv>



## Contents

- Installation ..... 3
  - Connecting the power supply ..... 3
  - Installing the boundary wire..... 3
- Product Safety..... 4
  - Explanation of symbols on the mower ..... 4
  - Reading the operator manual..... 4
  - Operational safety ..... 5
- Maintenance ..... 8
  - Replacing the battery..... 8
- Environmental Protection..... 8
- Troubleshooting..... 9
  - Indicator leds on mower ..... 9
  - Breaks in boundary wire and guide wire..... 9
- Technical Data..... 10

The materials, technical data, and figures in this manual are provided for guidance only and are not binding. The manufacturer reserves the right to make any changes to the technical characteristics and all features of operation, materials, technical data, or figures without prior warning.



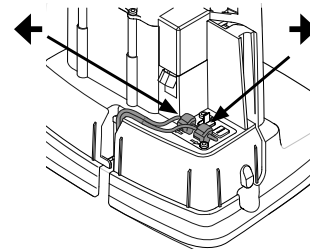
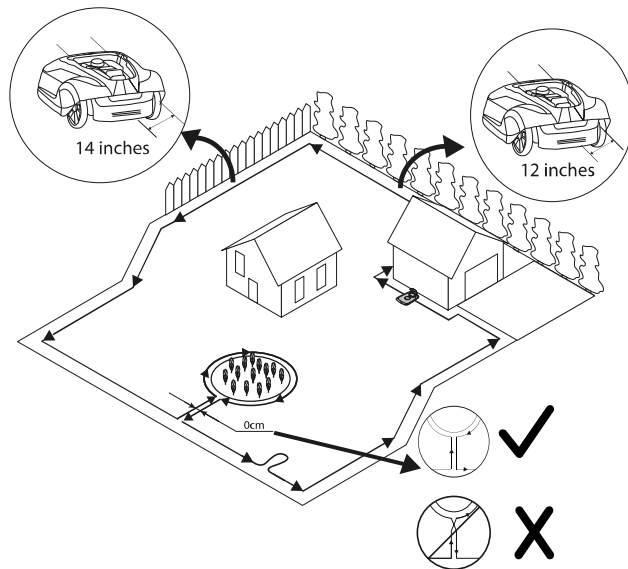
## CONNECTING THE POWER SUPPLY

Connect the power supply in a cool, dry environment; out of direct sunlight.

If the power supply is connected to an electrical socket outdoors, it must be approved for outdoor use.

The low voltage cable can cross the operating area if it is stapled down or buried.

**CAUTION:** Do not cut, splice, or alter the low voltage cable. Altering product guarantee.



## INSTALLING THE BOUNDARY WIRE

Lay down the loop wire reel at the charging station.

Go back around the boundary of the operating area and secure the boundary wire either using pegs or buried in the ground. Pegs are recommended since this allows for adjustment during the first few weeks of operation.

When securing the boundary wire with pegs:

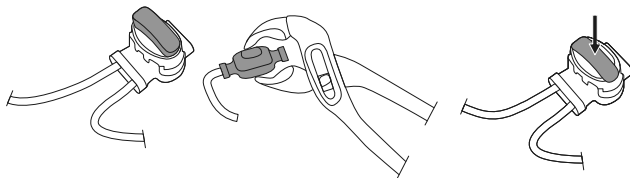
- Cut the grass very low with a standard lawnmower or a trimmer where the wire is to be laid.
- Lay the boundary wire on the ground and secure with pegs close together.
- Push or hammer the pegs into the ground.

Do not push the pegs so far into the ground so that they strain the boundary wire.

When burying the boundary wire:



- Bury the boundary wire 1—20 cm into the ground.



Please see the complete manual online for the guide wire installation.







As a complement to this operator manual, more information is available on the website:  
[www.optimow.com](http://www.optimow.com)


## EXPLANATION OF SYMBOLS ON THE MOWER

  This is a dangerous power tool. Use care when operating and follow all safety instructions and warnings.  
Read the operator manual carefully before operating the mower.

  Remove the safety key before working on or lifting the mower.

  Hazard of thrown objects during operation.  
Keep a safe distance from the mower when operating and keep people, especially children, pets and bystanders away from the area where mower is being operated.

  Do not ride on the mower.

 Class III appliance

## READING THE OPERATOR MANUAL

The following symbols are important for reading and understanding the operating instructions.



Wear protective gloves

The following system is used in the operator manual to make it easier to understand:

- **WARNING!** Warning texts alert users and consumers to the existence and nature of hazards so that they can prevent injury by appropriate conduct during use of the product.
- **CAUTION:** Caution texts alert users and consumers to the existence and nature of product risks so that they can prevent damaging the product by appropriate conduct during use of the product.
- **NOTE:** Notes inform users and consumers about additional information about product use.
- Text written in ***bold italics*** refers to another section in the operator manual.
- Text written in ***bold*** refers to settings on the mower.

## IMPORTANT

### READ CAREFULLY BEFORE USE! KEEP FOR FUTURE REFERENCE!

#### Safe operating practices

##### Training

#### **WARNING! Automatic lawnmower! Keep away from the machine! Supervise children!**

- Read the instructions carefully. Be familiar with the controls and the proper use of the machine.
- Never allow people unfamiliar with these instructions or children to use the machine. Local regulations may restrict the age of the operator.
- The operator or user is responsible for accidents or hazards occurring to other people or their property.

##### Preparation

- Ensure the correct installation of boundary and guide wires as instructed.
- Periodically inspect the area where the machine is to be used and remove all stones, sticks, wires, bones, and other foreign objects.
- Periodically visually inspect to see that the blades, blade bolts and cutter assembly are not worn or damaged. Replace worn or damaged blades and bolts in sets to preserve balance.

##### Operation

- Never operate the machine with defective guards, or without safety devices, for example the body, in place.
- Do not put hands or feet near or under rotating parts.
- Never pick up or carry an machine while the motor is running.
- Remove (or Operate) the disabling device from the machine
  - before clearing a blockage;
  - before checking, cleaning or working on the machine.
- Do not leave the machine to operate unattended if you know that there are pets, children or people in the vicinity.

##### Maintenance and storage

- Keep all nuts, bolts, and screws tight to be sure the machine is in safe working condition.
- Replace worn or damaged parts for safety.
- Ensure that only replacement cutting means of the right type are used.
- Ensure that batteries are charged using the correct charger recommended by the manufacturer. Incorrect use may result in electric shock, overheating or leakage of corrosive liquid from the battery.
- In the event of leakage of electrolyte flush with water/neutralizing agent, seek medical help if it comes into contact with the eyes, etc.
- Servicing of the machine should be according to manufacturers' instructions.

## SPECIAL RULES

This device complies with Part 15 of the FCC Rules. Operation is subject to the following two conditions:

The following system is used in the operator manual to make it easier to understand:

- This device may not cause harmful interference.
- This device must accept any interference received, including interference that may cause undesired operation.

**CAUTION:** Changes or modifications not expressly approved by the party responsible for compliance could void the user's authority to operate the equipment.

This equipment has been tested and found to comply with the limits for a Class B digital device, pursuant to Part 15 of the FCC Rules. These limits are designed to provide reasonable protection against harmful interference in a residential installation. This equipment generates, uses and can radiate radio frequency energy, and if not installed and used in accordance with the instructions, may cause harmful interference to radio or television reception. The reception can be determined by turning the equipment off and on, the user is encouraged to try to correct the interference by one or more of the following measures:

- Reorient or relocate the receiving antenna.
- Increase the separation between the equipment and the receiver.
- Connect the equipment into an outlet on a circuit different from that to which the receiver is connected.
- Consult the dealer or an experienced radio/TV technician for help.

To satisfy FCC RF exposure requirements, a separation distance of 20cm or more should be maintained between the antenna of this device and persons during device operation.

To ensure compliance, operations at closer than this distance is not recommended

### IMPORTANT SAFETY INSTRUCTIONS

When using electrical products, basic precautions should always be practiced including the following:

- 1** READ AND FOLLOW ALL SAFETY INSTRUCTIONS.
- 2** Read and follow all instructions that are on the product or provided with the product.
- 3** For a cord-connected or direct plug-in power unit, do not use an extension cord.
- 4** Reference the National Electrical Code, NFPA 70, specifically for the installation of wiring and clearances from power and lighting conductors.
- 5** Installation work and electrical wiring must be done by qualified person(s) in accordance with all applicable codes and standards, including fire-rated construction.
- 6** For a cord-connected or direct plug-in power unit, do not install or use within 10 feet of a pool.
- 7** For a cord-connected or direct plug-in unit, do not use in a bathroom
- 8** **WARNING: Risk of Electric Shock.** When used outdoors, install only to a covered Class A GFCI protected receptacle that is weatherproof with the power unit connected to the receptacle. If one is not provided, contact a qualified electrician for proper installation. Ensure that the power unit and cord do not interfere with completely closing the receptacle cover.
- 9** **WARNING: Risk of Fire.** Installation involves special wiring methods to run wiring through a building structure. Consult a qualified electrician.
- 10** **WARNING: Output wiring of PSU more than 6 feet long may introduces a risk of fire, electric shock, or injury to persons.**

**SAVE THESE INSTRUCTIONS – This manual contains important safety and operating instructions for power units.**

## Operation

### STARTING AND STOPPING THE MOWER

To start the mower:

- 1** Insert the safety key and rotate counter clockwise to position "1".
- 2** Slide the **START** button latch backwards.
- 3** Press down the **START** button.

To stop the mower:

Press the **STOP** button on the mower.

### SWITCHING OFF THE MOWER

Press the **STOP** button on the mower and remove the safety key.

**WARNING! Always remove the safety key when performing maintenance or if the mower must be moved.**

## OPERATIONAL SAFETY

This operator manual contains all of the basic information concerning the safe operation and maintenance of the mower.



Carefully read all the safety precautions and instructions in this operator manual before operating the mower. Save this operator manual for future reference. Follow manufacturer instructions regarding installation, operation, maintenance, and repair.

This mower is designed to mow grass in open and level areas. Use only equipment recommended by the manufacturer. All other types of use are incorrect.



The mower is not intended for use by persons (including children) with reduced physical, sensory, or mental capabilities, or lack of experience and knowledge, unless they have been given supervision or instruction concerning use of the appliance by a person responsible for their safety.

Children should be supervised to ensure that they do not play with the appliance.

The mower must only be operated, maintained, and repaired by persons that fully understand its special characteristics and safety regulations.

Start the mower in accordance with the instructions. When the safety key is in the **Enabled** position, keep your hands and feet away from the rotating blades.

Never put your hands and feet under the mower.

Do not modify the original design of the mower. All modifications void the guarantee.

Switch off mower using the STOP button on the mower when persons, especially children, or pets are in the cutting area. It is recommended that the mower be programmed for use during hours when the area is free from persons or pets.

Remove objects from the operating area such as branches, toys, stones, tools that can damage the blades. The mower can fasten on objects in the operating area and help may be required to remove the object before the mower can continue mowing.

Never lift up the mower or carry it with the safety key inserted.

Always switch off the mower using the STOP button when the mower is not in use. The mower can only start when the safety key is inserted and the START button is pressed.

The built-in alarm is very loud. Be careful, especially if the mower is handled indoors.

Do not use the mower with a defective blade disc or body.

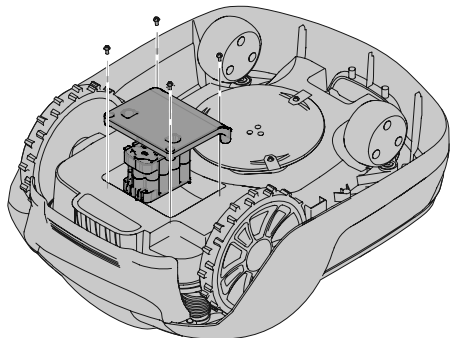
Do not let persons who do not know how the mower works and behaves use it.

Do not put anything on top of the mower or its charging station.



Always wear protective gloves when working with the mower's blades.

## REPLACING THE BATTERY



**WARNING! In the event of electrolyte leakage, flush with water/neutralizing agent and seek medical care if electrolyte comes in contact with the eyes.**

Only charge the battery in the original charging station. Incorrect use may result in electric shock, overheating, or leakage of corrosive liquid from the battery.

The battery is maintenance-free, but has a limited service life of 2 to 4 years depending on the length of the season and how many hours a day the mower is used.

**WARNING! Press the STOP button and remove the safety key before replacing batteries and wear protective gloves.**

**CAUTION:** Use only original replacement parts.

Turn the mower upside down and remove the four Torx T20 screws and remove the battery cover.

Disconnect the battery terminal connector.

Lift the battery straight out.

Insert the new battery.

Connect the battery terminal connector to the new battery.

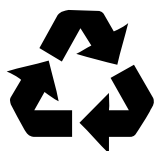
Put the battery cover back into place and insert and tighten the four Torx T20 screws.

Also secure that the sealing is in good condition and attached correctly.

Insert the safety key into the underside of mower and turn to the Enable position.

Place the mower into the charging station for enable and charging the battery.

## Environmental Protection



The toxic and corrosive materials below are in the batteries used in this machine: Lithium-Ion, a toxic material.

**WARNING! Discard all toxic materials in a specified manner to prevent contamination of the environment. Before discarding damaged or worn out Li-ion battery, contact your local waste disposal agency, or the local Environmental Protection Agency for information and specific instructions. Take the batteries to a local recycling and/or disposal center, certified for lithium-ion disposal.**

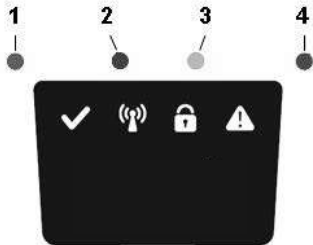
**WARNING! If the battery pack cracks or breaks, with or without leaks, do not recharge it and do not use. Discard it and replace with a new battery pack. DO NOT TRY TO REPAIR IT! To prevent injury and risk of fire, explosion, or electric shock, and to avoid damage to the environment:**

- Cover the terminals of the battery with heavy-duty adhesive tape.
- DO NOT try to remove or destroy any of the battery pack components.
- DO NOT try to open the battery pack.
- If a leak develops, the released electrolytes are corrosive and toxic. DO NOT get the solution in the eyes or on skin, and do not swallow it.
- DO NOT put these batteries in your regular household trash.
- DO NOT incinerate.
- DO NOT put them where they will become part of any waste landfill or municipal solid waste stream.
- Take them to a certified recycling or disposal center.



This section also presents some symptoms that can guide you if the mower does not work as expected.

## INDICATOR LEDS ON MOWER



LED	STATUS	MEANING	ACTION
1. Operating (Green)	Flashing	Recovery mode	Place the robot in charging station for up to 5 hours and wait for the green LED to stop flash. If LED doesn't stop flash then restart the robot outside the CS and try again.
	On	Mower in operation mode (charging, parked in Charging station, paused, mowing or searching)	
	Off	Mower stopped with Stop button on mower, safety key in Disabled position, mower in error state or mower waiting for PIN code.	
2. Connectivity (Blue)	Flashing	Trying to connect to internet server	
	On	Connected to internet server	
	Off	Mower not in "Power on mode"	
3. Security (Yellow)	Flashing	PIN code authorization required	... via Mobile App.
	Off	No pin required	No action required
4. Error (Red)	Flashing	Mower stopped with error	Check the reason for the error and then restart by pressing the <b>Start</b> button on the mower.

## BREAKS IN BOUNDARY WIRE AND GUIDE WIRE

Breaks in the boundary wire and guide wire (if installed) are usually the result of unintentional physical damage.

Inspect the entire boundary wire from the charging station and back.

Inspect the guide wire (if installed) from the charging station to the splice into the boundary wire.

Inspect that all the couplings have been properly squeezed to make connections.

	Optimow 25H	Optimow 50H	Optimow 25	Optimow 50
Dimensions:				
Height	12.2 inches	12.2 inches	10.3 inches	10.3 inches
Length	25.0 inches	25.0 inches	24.8 inches	24.8 inches
Width	20.0 inches	20.0 inches	19.7 inches	19.7 inches
Weight	26.4 lbs	26.4 lbs	24.2 lbs	24.2 lbs
Electrical system:				
Battery, Special Lithium-Ion battery	24V/4.0Ah, Part No. T0100273-00	24V/4.0Ah, Part No. T0100273-00	24V/4.0Ah, Part No. T0100273-00	24V/4.0Ah, Part No. T0100273-00
Power supply	100-120 V/29 V DC	100-120 V/29 V DC	100-120 V/29 V DC	100-120 V/29 V DC
Low voltage cable length	33 ft	33 ft	33 ft	33 ft
Mean energy consumption at maximum use	10 kWh/month for a working area of 1/4 acre	12 kWh/month for a working area of 1/2 acre	10 kWh/month for a working area of 1/4 acre	12 kWh/month for a working area of 1/2 acre
Charge current	1.3 A DC	2.4 A DC	1.3 A DC	2.4 A DC
Average charging time	270 minutes	70 minutes	270 minutes	70 minutes
Average cutting time	150 minutes	150 minutes	150 minutes	150 minutes
Mowing:				
Cutting system	Three pivoted cutting blades	Three pivoted cutting blades	Three pivoted cutting blades	Three pivoted cutting blades
Average power consumption during cutting	25 W ± 20%	25 W ± 20%	25 W ± 20%	25 W ± 20%
Cutting height	2.4-4.0 inches	2.4-4.0 inches	0.8-2.4 inches	0.8-2.4 inches
Cutting width	8.7 inches	8.7 inches	8.7 inches	8.7 inches
Narrowest possible passage	24 inches	24 inches	24 inches	24 inches
Maximum slope for cutting area	35%	35%	35%	35%
Maximum slope for boundary wire	15%	15%	15%	15%
Maximum length boundary wire	2600 ft	2600 ft	2600 ft	2600 ft
Maximum working capacity	1/4 acre	1/2 acre	1/4 acre	1/2 acre
Recommended area capacity	0 - 0.2 acre	0.1 - 0.4 acre	0 - 0.2 acre	0.1 - 0.4 acre
IP classification:				
Mower	IPX5	IPX5	IPX5	IPX5
Charging station	IPX2	IPX2	IPX2	IPX2
Power supply	IP67	IP67	IP67	IP67

Radio Frequency Data Sheet		
	LTE Cat M1	Short Range Devices (SRD) (Boundary Wire)
Frequency Bands	Band 2 1900 MHz Band 4 1700 MHz	0~148.5KHz
Power Class	Class 3 (23 dBm)	NA

Les pages suivantes contiennent les consignes de sécurité et les instructions d'entretien et de nettoyage. Pour les instructions de fonctionnement, veuillez consulter le guide rapide fourni avec la machine.

Lisez attentivement et examinez toutes les consignes de sécurité, les avertissements et les mises en garde contenus dans ce manuel et le guide rapide.

Le fait de ne pas lire et de ne pas suivre ces instructions, avertissements et mises en garde peut entraîner des blessures graves ou la mort de personnes et d'animaux domestiques ou des dommages aux biens personnels.

## LE MANUEL D'INSTRUCTIONS COMPLET EST DISPONIBLE SUR LE SITE WEB :

<https://url.globetools.systems/Y3GJS>

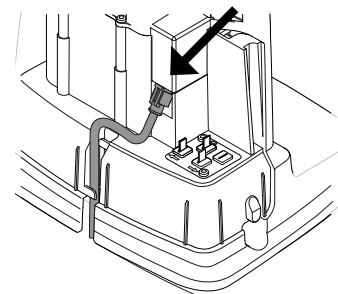
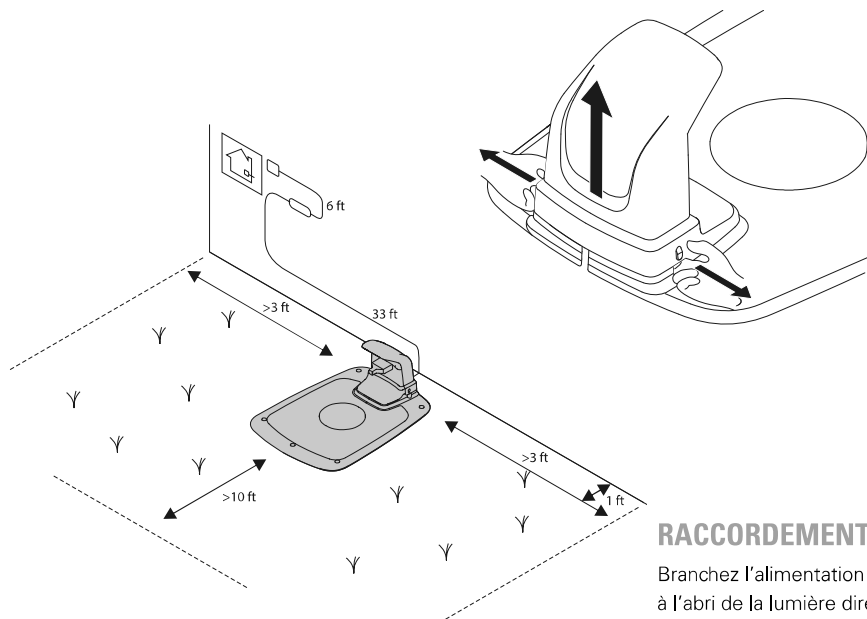
Code QR :



## Matières

Installation .....	12
Raccordement à la source d'alimentation.....	12
Installation du câble de périmètre.....	12
Sécurité du produit .....	13
Explication des symboles sur la tondeuse.....	13
Lisez le manuel d'opérateur .....	13
Sécurité de l'opération.....	16
Entretien .....	17
Entretien de la batterie.....	17
Protection de l'environnement .....	17
Dépannage .....	18
Voyants del sur la tondeuse .....	18
Ruptures dans le câble de périmètre et le câble guide .....	18
Données techniques .....	19

Les matériaux, les données techniques et les illustrations de ce manuel sont fournis à titre indicatif et ne sont pas légalement contraignants. Le fabricant se réserve le droit d'apporter toute modification aux caractéristiques techniques et à toutes les fonctions relatives à l'opération, aux matériaux, aux données techniques ou aux illustrations sans préavis.



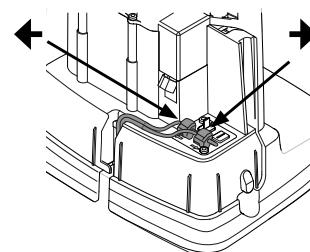
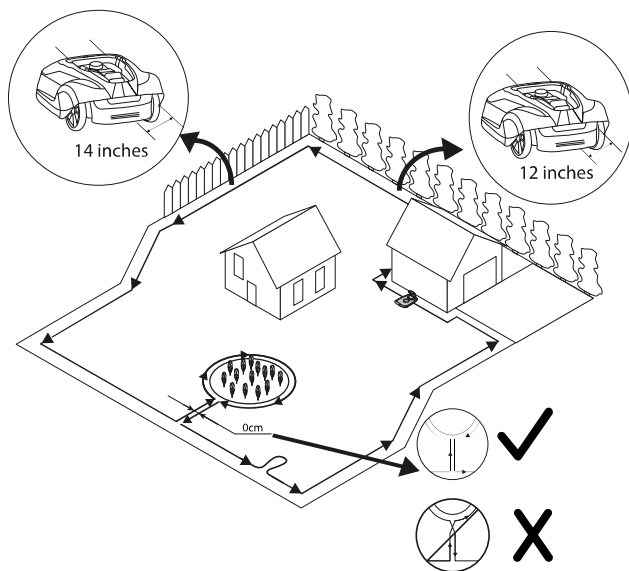
### RACCORDEMENT À LA SOURCE D'ALIMENTATION

Branchez l'alimentation électrique dans un environnement frais et sec, à l'abri de la lumière directe du soleil.

Si l'alimentation électrique est connectée à une prise de courant à l'extérieur, celle-ci doit être approuvée pour un usage extérieur.

Le câble basse tension peut traverser la zone d'opération s'il est agrafé ou enterré.

**MISE EN GARDE :** Ne pas couper, épisser ou modifier le câble basse tension. La modification du câble basse tension annule la garantie du produit.



### INSTALLATION DU CÂBLE DE PÉRIMÈTRE

Posez la bobine de boucle de câble à la station de recharge.

Retournez à la limite de la zone de travail et fixez le câble de périmètre à l'aide de piquets ou enterrez-le dans le sol. Il est recommandé d'utiliser des piquets, car cela permet de faire des ajustements pendant les premières semaines d'activité.

Lors de la fixation du câble de périmètre avec des piquets :

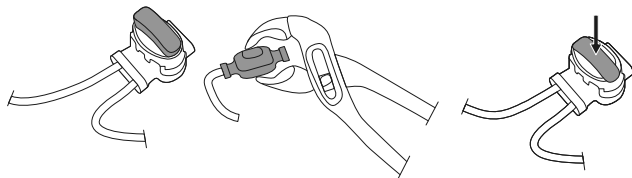
- Coupez l'herbe très bas avec une tondeuse à gazon standard ou un coupe-bordure à l'endroit où le câble doit être posé.
- Posez le câble de périmètre sur le sol et fixez-le avec des piquets rapprochés.
- Poussez ou martelez les piquets dans le sol.

Ne poussez pas les piquets si profondément dans le sol qu'ils tendent le câble de périmètre.

Au moment d'enfouir le câble de périmètre :

- Enfouissez le câble de périmètre entre 1 cm et 16 cm (0,4 po et 8 po) dans le sol.

Veuillez consulter le manuel complet en ligne pour l'installation du câble guide.



De plus amples informations sont disponibles sur le site web, en complément de ce manuel de l'opérateur : [www.optimow.com](http://www.optimow.com)

## EXPLICATION DES SYMBOLES SUR LA TONDEUSE



Il s'agit d'un outil électrique dangereux. Faites preuve de prudence lors de l'utilisation et respectez toutes les consignes de sécurité et les avertissements.

Lisez attentivement le manuel d'utilisation avant d'utiliser la tondeuse.



Retirez la clé de sécurité avant de travailler sur la tondeuse ou de la soulever.



Risque de projection d'objets pendant l'opération.

Gardez une distance sécuritaire par rapport à la tondeuse lorsque vous l'utilisez et tenez les personnes, en particulier les enfants, les animaux domestiques et les passants à l'écart de la zone où la tondeuse est utilisée.



Ne montez pas sur la tondeuse.



Appareil de classe III

## LISEZ LE MANUEL D'OPÉRATEUR

Les symboles suivants sont importants pour la lecture et la compréhension du mode d'emploi.



Portez des gants de protection

Le système suivant est utilisé dans le manuel de l'opérateur afin de le rendre plus facile à comprendre :

- **AVERTISSEMENT!** Les textes d'avertissement alertent les utilisateurs et les consommateurs sur l'existence et la nature des dangers afin qu'ils puissent prévenir les blessures par un comportement approprié lors de l'utilisation du produit.
- **MISE EN GARDE** : Les textes de mise en garde alertent les utilisateurs et les consommateurs sur l'existence et la nature des risques liés au produit afin qu'ils puissent éviter d'endommager le produit par un comportement approprié lors de l'utilisation du produit.
- **REMARQUE** : Les remarques fournissent aux utilisateurs et aux consommateurs des informations complémentaires sur l'utilisation des produits.
- Les textes écrits en **italique gras** renvoient à une autre section du manuel de l'opérateur.
- Les textes écrits en **gras** renvoient aux réglages de la tondeuse.

## IMPORTANT

### LISEZ ATTENTIVEMENT LES INSTRUCTIONS AVANT DE L'UTILISER! CONSERVEZ LE MANUEL POUR RÉFÉRENCE FUTURE!

#### Formation

#### **AVERTISSEMENT! Tondeuse à gazon automatique! Ne vous approchez pas de la machine! Surveillez les enfants!**

- Veuillez lire attentivement les instructions. Familiarisez-vous avec les commandes et l'utilisation correcte de la machine.
- Ne permettez jamais à des personnes non familières avec ces instructions ou à des enfants d'utiliser l'appareil. La réglementation locale peut imposer des restrictions sur l'âge de l'utilisateur.
- L'opérateur ou l'utilisateur est responsable des accidents ou des dangers survenant à d'autres personnes ou à leurs biens.

#### Préparation

- Veillez à l'installation correcte des câbles de périmètre et de guide conformément aux instructions.
- Inspectez périodiquement l'endroit où la machine doit être utilisée et enlevez toutes les pierres, les bâtons, les fils, les os et autres objets étrangers.
- Effectuez périodiquement une inspection visuelle pour vous assurer que les lames, les boulons des lames et l'ensemble des couteaux ne sont ni usés ni endommagés. Remplacez les lames et les boulons usés ou endommagés par ensembles afin de préserver l'équilibre.

#### Généralités

- Ne faites jamais fonctionner la machine avec des boucliers défectueux, ou sans dispositifs de sécurité en place, par exemple le corps de la tondeuse.
- Ne mettez pas les mains ou les pieds près ou sous des pièces rotatives.
- Ne jamais prendre ou transporter une machine lorsque le moteur est en marche.
- Retirer (ou faire fonctionner) le dispositif de désactivation de la machine
  - avant d'enlever des obstructions ;
  - avant de vérifier la machine, de la nettoyer ou de travailler sur elle.
- Ne laissez pas la machine fonctionner sans surveillance si vous savez qu'il y a des animaux domestiques, des enfants ou des personnes à proximité.

#### Entretien et rangement

- Maintenez tous les écrous, boulons et vis serrés pour vous assurer que la machine est en bon état de fonctionnement.
- Remplacez les pièces usées ou endommagées par mesure de sécurité.
- Assurez-vous que seuls des moyens de coupe de remplacement du bon type sont utilisés.
- Assurez-vous que les batteries sont chargées à l'aide du chargeur approprié recommandé par le fabricant. Une utilisation incorrecte peut entraîner une décharge électrique, une surchauffe ou une fuite de liquide corrosif de la batterie.
- En cas de fuite d'électrolyte, rincez à l'eau/agent neutralisant, demandez une aide médicale s'il entre en contact avec les yeux, etc.
- L'entretien de la machine doit être effectué conformément aux instructions du fabricant.

#### RÈGLEMENT PARTICULIER

Cet appareil est conforme à la partie 15 des règles de la FCC. Le fonctionnement dépend des deux conditions suivantes :

Le système suivant est utilisé dans le manuel de l'opérateur afin de le rendre plus facile à comprendre :

- Cet appareil ne devrait pas causer d'interférence.
- Cet appareil doit accepter toute interférence reçue, y compris une interférence pouvant provoquer une opération non souhaitée.

**MISE EN GARDE** : Tout changement ou toute modification non expressément approuvée par la partie responsable de la conformité pourrait annuler le droit de l'utilisateur d'utiliser l'équipement.

Cet appareil a été testé et jugé conforme aux limites des appareils numériques de classe B, en vertu des normes de la Partie 15 du FCC. Ces limites sont conçues pour apporter une protection contre les brouillages préjudiciables dans un quartier résidentiel. Cet appareil génère, utilise et émet une énergie de fréquence radio, et s'il n'est pas utilisé et utilisé conformément aux instructions, il peut causer des brouillages préjudiciables avec la réception de la radio ou de la télévision. La réception peut être réglée en allumant ou en éteignant l'appareil, nous invitons l'utilisateur à essayer de corriger l'interférence en effectuant les actions suivantes :

- Réorientez ou déplacez l'antenne de réception.
- Augmentez la distance entre l'appareil et le récepteur.
- Branchez l'appareil dans une prise ou à un réseau différent de celui où le récepteur est branché.
- Consultez le vendeur ou un expert en installation radio/télé pour obtenir de l'aide.

Pour satisfaire aux exigences de la FCC en matière d'exposition aux radiofréquences, une distance de séparation de 20 cm ou plus doit être maintenue entre l'antenne de cet appareil et les personnes pendant le fonctionnement de l'appareil.

Pour assurer la conformité, il n'est pas recommandé d'effectuer des opérations à une distance inférieure à cette distance

## CONSIGNES IMPORTANTES DE SÉCURITÉ

Lors de l'utilisation de produits électriques, des précautions de base doivent toujours être prises, notamment les suivantes :

- 1** LISEZ ET SUIVEZ TOUTES LES CONSIGNES DE SÉCURITÉ.
- 2** Lisez et suivez toutes les instructions qui figurent sur le produit ou qui sont fournies avec le produit.
- 3** Pour un appareil à cordon d'alimentation ou à branchement direct, n'utilisez pas de rallonge.
- 4** Référez-vous au National Electrical Code, NFPA 70, spécifiquement pour l'installation du câblage et les dégagements des conducteurs de puissance et d'éclairage.
- 5** Les travaux d'installation et le câblage électrique doivent être effectués par une ou plusieurs personnes qualifiées conformément à tous les codes et toutes les normes applicables, y compris pour les produits à indice de résistance au feu.
- 6** Dans le cas d'un appareil à cordon d'alimentation ou à branchement direct, ne l'installez pas ou ne l'utilisez pas à moins de 3 m (10 pi) d'une piscine.
- 7** Pour un appareil à branchement direct ou par cordon, ne pas utiliser dans une salle de bain
- 8** **AVERTISSEMENT : Risque de décharge électrique.** En cas d'utilisation à l'extérieur, ne l'installez que sur une prise couverte de classe A avec disjoncteur de fuite à la terre (GFCI), résistante aux intempéries et où le bloc d'alimentation est connecté à la prise. S'il n'y en a pas, contactez un électricien qualifié pour une installation correcte. Veillez à ce que le bloc d'alimentation et le cordon ne gênent pas la fermeture complète du couvercle de la prise.
- 9** **AVERTISSEMENT! Risque d'incendie.** L'installation implique des méthodes de câblage spéciales pour faire passer le câblage à travers la structure d'un bâtiment. Consultez un électricien qualifié.
- 10** **AVERTISSEMENT : Le câblage de sortie d'un bloc d'alimentation de plus de 2 m (6 pi) de long peut présenter un risque d'incendie, de décharge électrique ou de blessure.**

**CONSERVEZ CES INSTRUCTIONS – Ce manuel contient d'importantes instructions de sécurité et de fonctionnement pour les unités de puissance.**

## Utilisation

### DÉMARRER ET ARRÊTER LA TONDEUSE

Pour démarrer la tondeuse :

- 1** Insérez la clé de sécurité et tournez dans le sens inverse des aiguilles d'une montre jusqu'à la position « 1 ».
- 2** Faites glisser le bouton de verrouillage **START** vers l'arrière.
- 3** Appuyez sur le bouton **START**.

Pour arrêter la tondeuse :

Appuyez sur le bouton **STOP** sur la tondeuse.

### ÉTEINDRE LA TONDEUSE

Appuyez sur le bouton **STOP** sur la tondeuse et retirez la clé de sécurité.

**AVERTISSEMENT! Retirez toujours la clé de sécurité lorsque vous effectuez un entretien ou si la tondeuse doit être déplacée.**

## SÉCURITÉ DE L'OPÉRATION

Ce manuel d'utilisation contient toutes les informations de base concernant l'utilisation et l'entretien sûrs de la tondeuse.



Lisez attentivement toutes les précautions de sécurité et les instructions contenues dans ce manuel d'utilisation avant d'utiliser la tondeuse. Conservez ce manuel d'utilisation pour référence ultérieure. Suivez les instructions du fabricant concernant l'installation, le fonctionnement, l'entretien et la réparation.



Cette tondeuse est conçue pour tondre l'herbe dans des zones dégagées et plates. N'utilisez que le matériel recommandé par le fabricant. Tous les autres types d'utilisation sont incorrects.

La tondeuse n'est pas destinée à être utilisée par des personnes (y compris des enfants) dont les capacités physiques, sensorielles ou mentales sont réduites ou qui manquent d'expérience et de connaissances, sauf si elles ont été supervisées ou ont reçu des instructions concernant l'utilisation de l'appareil par une personne responsable de leur sécurité.

Les enfants doivent être surveillés pour s'assurer qu'ils ne jouent pas avec l'appareil.

La tondeuse ne doit être utilisée, entretenue et réparée que par des personnes qui comprennent parfaitement ses caractéristiques particulières et les règles de sécurité.

Démarrez la tondeuse conformément aux instructions. Lorsque la clé de sécurité se trouve en position **Activée**, gardez vos mains et vos pieds éloignés des lames en rotation.

Ne mettez jamais vos mains et vos pieds sous la tondeuse.

Ne modifiez pas la conception originale de la tondeuse. Toute modification annule la garantie.

Éteignez la tondeuse en utilisant le bouton STOP de la tondeuse lorsque des personnes, en particulier des enfants, ou des animaux se trouvent dans la zone de coupe. Il est recommandé de programmer la tondeuse afin qu'elle puisse être utilisée pendant les heures où la zone est libre de personnes ou d'animaux.

Retirez les objets comme les branches, les jouets, les pierres et les outils qui peuvent endommager les lames de la zone d'opération. La tondeuse peut s'accrocher à des objets dans la zone de travail et une aide peut être nécessaire pour retirer l'objet avant que la tondeuse puisse continuer à tondre.

Ne soulevez jamais la tondeuse ou ne la transportez jamais lorsque la clé de sécurité est insérée.

Éteignez toujours la tondeuse en utilisant le bouton STOP lorsque la tondeuse n'est pas utilisée. La tondeuse ne peut démarrer que lorsque la clé de sécurité est insérée et que la touche START est enfoncée.

L'alarme intégrée est très bruyante. Faites attention, surtout si la tondeuse est manipulée à l'intérieur.

N'utilisez pas la tondeuse avec un disque de lame ou un corps défectueux.

Ne laissez pas les personnes qui ne connaissent pas le fonctionnement et le comportement de la tondeuse l'utiliser.

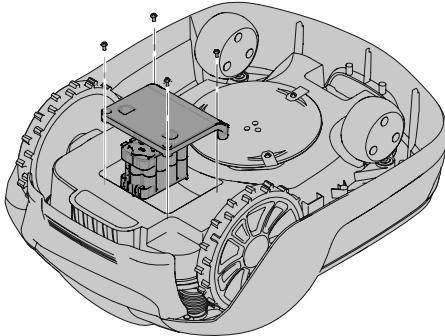
Ne mettez rien sur le dessus de la tondeuse ou de sa station de recharge.



Portez toujours des gants de protection lorsque vous manipulez les lames de la tondeuse.



## ENTRETIEN DE LA BATTERIE



**AVERTISSEMENT! En cas de fuite d'électrolyte, rincez avec de l'eau/agent neutralisant et consultez un médecin si l'électrolyte entre en contact avec les yeux.**

Ne chargez la batterie que dans la station de recharge d'origine. Une utilisation incorrecte peut entraîner une décharge électrique, une surchauffe, ou une fuite de liquide corrosif de la batterie.

La batterie est sans entretien, mais a une durée de vie limitée entre 2 et 4 ans selon la longueur de la saison et le nombre d'heures d'utilisation de la tondeuse par jour.

**AVERTISSEMENT! Appuyez sur le bouton STOP et retirez la clé de sécurité avant de remplacer les batteries et portez des gants de protection.**

**MISE EN GARDE :** N'utilisez que des pièces de rechange d'origine.

Retournez la tondeuse et enlevez les quatre vis Torx T20 et retirez le couvercle des batteries.

Débranchez le connecteur de la borne de la batterie.

Soulevez la batterie directement vers l'extérieur.

Insérez la nouvelle batterie dans la case 1 (la case arrière).

Branchez le connecteur de la borne de la batterie à la nouvelle batterie.

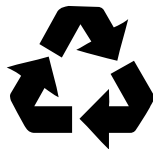
Remettez le couvercle des batteries en place, puis insérez et serrez les quatre vis Torx T20.

Assurez-vous également que le joint d'étanchéité est en bon état et correctement fixé.

Insérez la clé de sécurité dans la partie inférieure de la tondeuse et tournez-la en position d'activation.

Placez la tondeuse dans la station de charge pour activer et charger la batterie.

## Protection de l'environnement



Les matières toxiques et corrosives ci-dessous se trouvent dans les batteries utilisées dans cette machine : Lithium-ion, une substance toxique.

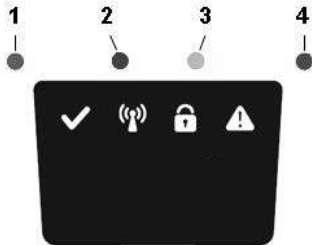
**AVERTISSEMENT! Éliminez toutes les substances toxiques d'une manière spécifiée afin de prévenir la contamination de l'environnement. Avant de jeter une batterie Li-ion endommagée ou usée, contactez votre agence locale d'élimination des déchets ou l'agence locale de protection de l'environnement pour obtenir des informations et des instructions spécifiques. Apportez les batteries à un centre local de recyclage ou d'élimination certifié pour l'élimination de batteries au lithium-ion.**

**AVERTISSEMENT! Si la batterie se fend ou se brise, avec ou sans fuites, ne la rechargez pas et ne l'utilisez pas. Jetez-la et remplacez-la par une nouvelle batterie. N'ESSAYEZ PAS DE LA RÉPARER ! Pour prévenir les blessures et les risques d'incendie, d'explosion ou de décharge électrique, et pour éviter tout dommage à l'environnement :**

- Couvrez les bornes de la batterie avec du ruban adhésif résistant.
- NE PAS essayer d'enlever ou de détruire les composants de la batterie.
- NE PAS essayer d'ouvrir ou de réparer la batterie.
- En cas de fuite, les électrolytes rejetés sont corrosifs et toxiques. NE laissez PAS entrer la solution dans les yeux ou en contact avec la peau et ne l'avalez pas.
- NE PAS jeter vos batteries usagées dans votre poubelle à ordures ménagères.
- N'incinerez PAS les batteries.
- NE LES Mettez PAS dans un endroit où ils feront partie d'un site d'enfouissement de déchets ou d'un flux de déchets solides municipaux.
- Emmenez-les dans un centre de recyclage ou d'élimination certifié.

Cette section présente également certains symptômes qui peuvent vous guider si la tondeuse ne fonctionne pas comme prévu.

### VOYANTS DEL SUR LA TONDEUSE



DEL	STATUT	SIGNIFICATION	ACTION
1. Fonctionnement (Vert)	Clignotant	Mode de récupération	Placez le robot dans la station de recharge pendant 5 heures maximum et attendez que le voyant DEL vert cesse de clignoter. Si le voyant DEL n'arrête pas de clignoter, redémarrez le robot à l'extérieur de la station de recharge et essayez à nouveau.
	On (Allumé)	Tondeuse en mode de fonctionnement (en charge, garée dans la station de recharge, en pause, en train de tondre ou de chercher)	
	Off (Arrêt)	La tondeuse est arrêtée par le bouton Stop sur la tondeuse, lorsque la clé de sécurité en position Désactivée, que la tondeuse en état d'erreur ou que la tondeuse en attente du code NIP.	
2. Connectivité (Bleu)	Clignotant	Tentative de connexion à un serveur Internet	
	On (Allumé)	Connectée à un serveur Internet	
	Off (Arrêt)	La tondeuse n'est pas en mode « Power On » (sous tension)	
3. Sécurité (Jaune)	Clignotant	Autorisation par code NIP requise	... par le biais de l'application mobile.
	Off (Arrêt)	Aucun NIP requis	Aucune action requise
4. Erreur (Rouge)	Clignotant	Tondeuse arrêtée par erreur	Vérifiez la raison de l'erreur, puis redémarrez en appuyant sur le bouton <b>Start</b> de la tondeuse.

### RUPTURES DANS LE CÂBLE DE PÉRIMÈTRE ET LE CÂBLE GUIDE

Des ruptures du câble de périmètre et du câble guide (s'il est installé) sont généralement le résultat de dommages physiques non intentionnels.

Inspectez tout le câble de périmètre dans son entièreté, de la station de charge de l'aller au retour.

Inspectez le câble guide (s'il est installé) de la station de charge à l'épissure dans le câble de périmètre.

Vérifiez que tous les raccords ont été correctement serrés pour réaliser les connexions.

	Optimow 25H	Optimow 50H	Optimow 25	Optimow 50
Dimensions :				
Hauteur	31 cm (12,2 pouces)	31 cm (12,2 pouces)	26 cm (10.3 pouces)	26 cm (10.3 pouces)
Longueur	63,5 cm (25,0 pouces)	63,5 cm (25,0 pouces)	63 cm (24,8 pouces)	63 cm (24,8 pouces)
Largeur	51 cm (20,0 pouces)	51 cm (20,0 pouces)	50 cm (19,7 pouces)	50 cm (19,7 pouces)
Poids	12 kg (26.4 lb)	12 kg (26.4 lb)	11 kg (24,2 lb)	11 kg (24,2 lb)
Système électrique :				
Batterie, Batterie spéciale Lithium-Ion	24V/4.0Ah, Part No. T0100273-00	24V/4.0Ah, Part No. T0100273-00	24V/4.0Ah, Part No. T0100273-00	24V/4.0Ah, Part No. T0100273-00
Alimentation électrique	100-120 V/29 V DC	100-120 V/29 V DC	100-120 V/29 V DC	100-120 V/29 V DC
Longueur du câble basse tension	10 m (33 pi)	10 m (33 pi)	10 m (33 pi)	10 m (33 pi)
Consommation moyenne d'énergie à l'utilisation maximale	10 kWh/mois pour une zone de travail de 1 000 m <sup>2</sup> (1/4 acre)	12 kWh/mois pour une zone de travail de 2 000 m <sup>2</sup> (1/2 acre)	10 kWh/mois pour une zone de travail de 1 000 m <sup>2</sup> (1/4 acre)	12 kWh/mois pour une zone de travail de 2 000 m <sup>2</sup> (1/2 acre)
Courant de charge	1,3 A DC	2,4 A DC	1,3 A DC	2,4 A DC
Durée moyenne de chargement	270 minutes	70 minutes	270 minutes	70 minutes
Durée moyenne de coupe	150 minutes	150 minutes	150 minutes	150 minutes
Tonte :				
Système de coupe	Trois lames de coupe pivotantes	Trois lames de coupe pivotantes	Trois lames de coupe pivotantes	Trois lames de coupe pivotantes
Consommation moyenne d'énergie pendant la coupe	25 W ± 20 %	25 W ± 20 %	25 W ± 20 %	25 W ± 20 %
Hauteur de coupe	Entre 6 cm et 10 cm (entre 2,4 et 4,0 pouces)	Entre 6 cm et 10 cm (entre 2,4 et 4,0 pouces)	Entre 2 cm et 6 cm (entre 0,8 et 2,4 pouces)	Entre 2 cm et 6 cm (entre 0,8 et 2,4 pouces)
Largeur de coupe	22 cm (8,7 pouces)	22 cm (8,7 pouces)	22 cm (8,7 pouces)	22 cm (8,7 pouces)
Passage le plus étroit possible	60 cm (24 pouces)	60 cm (24 pouces)	60 cm (24 pouces)	60 cm (24 pouces)
Pente maximale pour la zone de coupe	35%	35%	35%	35%
Pente maximale pour le câble périphérique	15%	15%	15%	15%
Longueur maximale du câble de périmètre	800 m (2 600 pi)	800 m (2 600 pi)	800 m (2 600 pi)	800 m (2 600 pi)
Capacité de travail maximale	1000 m <sup>2</sup> (1/4 acre)	2000 m <sup>2</sup> (1/2 acre)	1000 m <sup>2</sup> (1/4 acre)	2000 m <sup>2</sup> (1/2 acre)
Capacité de zone recommandée	0 - 800 m <sup>2</sup> (0 - 0,2 acre)	400 - 1700 m <sup>2</sup> (0,1 - 0,4 acre)	0 - 800 m <sup>2</sup> (0 - 0,2 acre)	400 - 1700 m <sup>2</sup> (0,1 - 0,4 acre)
Classification IP :				
Tondeuse	IPX5	IPX5	IPX5	IPX5
Station de recharge	IPX2	IPX2	IPX2	IPX2
Alimentation électrique	IP67	IP67	IP67	IP67

## FICHE TECHNIQUE SUR LES RADIOFRÉQUENCES

	LTE Cat M1	Appareils à courte portée (SRD) (Câble de périmètre)
Bandes de fréquences	Bande 2 1 900 MHz Bande 4 1 700 MHz	0~148,5 kHz
Classe de puissance	Classe 3 (23 dBm)	n.d.

Las siguientes páginas contienen instrucciones de seguridad, así como de servicio y mantenimiento. Para el funcionamiento, consulte la guía rápida que se suministra con la máquina.

Lea detenidamente y repase todas las instrucciones, advertencias y precauciones de seguridad que contiene este manual y la guía rápida.

En caso de no leer y seguir estas instrucciones, advertencias y avisos de precaución pueden producirse lesiones graves o incluso la muerte de personas y mascotas, así como daños materiales.

**EL MANUAL COMPLETO DE INSTRUCCIONES SE ENCUENTRA DISPONIBLE EN EL SITIO WEB:**

<https://url.globetools.systems/s29Yv>

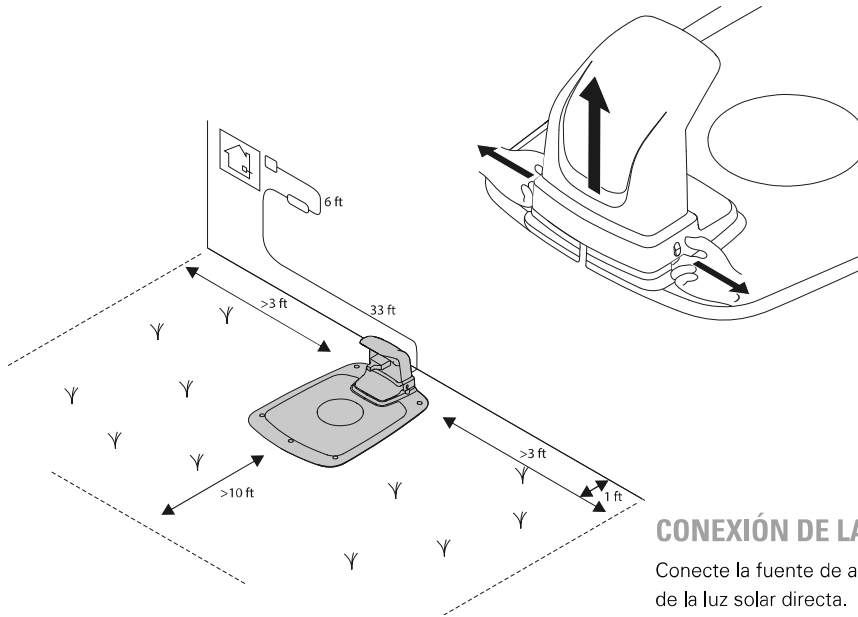
Código QR:



## Contenido

- Instalación .....21
  - Conexión de la fuente de alimentación.....21
  - Instalación del cable delimitador.....21
- Seguridad del producto.....22
  - Explicación de los símbolos en el cortacésped.....22
  - Lectura del manual del operario.....22
  - Seguridad operativa .....25
- Mantenimiento .....26
  - Mantenimiento de la batería.....26
- Protección medioambiental.....26
- Solución de problemas.....27
  - Leds indicadores en el cortacésped .....27
  - Roturas en el cable delimitador y el cable de guía.....27
- Datos técnicos .....28

Los materiales, los datos técnicos y las figuras de este manual se proporcionan exclusivamente a título orientativo y no son vinculantes. El fabricante se reserva el derecho de realizar cambios en las características técnicas y todas las características de funcionamiento, los materiales, los datos técnicos o las cifras sin previo aviso.



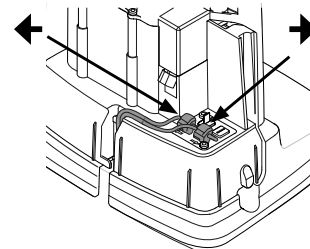
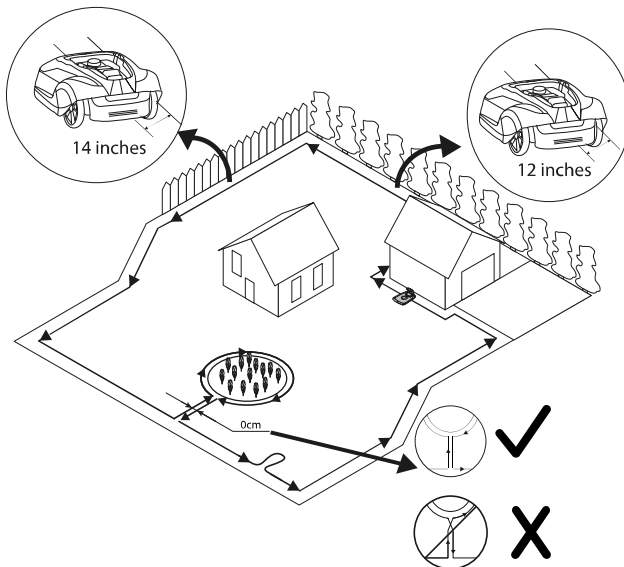
## CONEXIÓN DE LA FUENTE DE ALIMENTACIÓN

Conecte la fuente de alimentación en un entorno fresco y seco; fuera de la luz solar directa.

Si la fuente de alimentación está conectada a una toma eléctrica en el exterior, debe estar aprobada para uso en exteriores.

El cable de baja tensión puede cruzar la superficie de trabajo si está grapado o enterrado.

**PRECAUCIÓN:** No corte, empalme ni modifique el cable de baja tensión. La modificación del cable de baja tensión anulará la garantía del producto.



## INSTALACIÓN DEL CABLE DELIMITADOR

Coloque la bobina de cable en la estación de carga.

Vuelva alrededor del límite de la superficie de trabajo y fije el cable delimitador ya sea utilizando estaquillas o enterrándolo en el suelo. Se recomiendan las estaquillas ya que esto permite el ajuste durante las primeras semanas de funcionamiento.

Al fijar el cable delimitador con estaquillas:

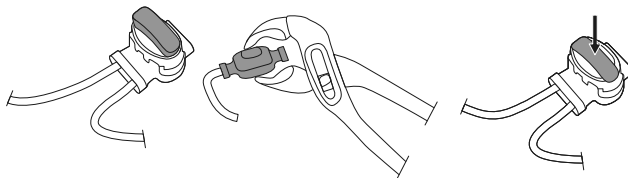
- Corte el césped muy bajo con un cortacésped estándar o un cortasetos donde se vaya a colocar el cable.
- Coloque el cable delimitador en el suelo y fíjelo con las estaquillas muy juntas.
- Empuje o golpee las estaquillas para clavarlas en el suelo.

No introduzca las estaquillas demasiado en el suelo para que no tiren del cable delimitador.

Cuando entierre el cable delimitador:

- Entierre el cable delimitador a 0,4-8 pulg. (1-20,3 cm) en el suelo.

Consulte el manual completo en línea para la instalación del cable guía.



Como complemento de este manual del operario, dispone de información adicional en el sitio web: [www.optimow.com](http://www.optimow.com)

## EXPLICACIÓN DE LOS SÍMBOLOS EN EL CORTACÉSPED



Esta es una herramienta eléctrica peligrosa. Tenga cuidado al utilizarla y siga todas las instrucciones y advertencias de seguridad.

Lea detenidamente el manual del operario antes de utilizar el cortacésped.



Retire la llave de seguridad antes de trabajar en el cortacésped o de levantarlo.



Riesgo de lanzamiento de objetos durante el funcionamiento.

Durante la utilización, mantenga una distancia segura con respecto al cortacésped y mantenga a las personas, especialmente los niños, las mascotas y los transeúntes alejados de la superficie donde se utiliza el cortacésped.



No se suba en el cortacésped.



Aparato de clase III

## LECTURA DEL MANUAL DEL OPERARIO

Los siguientes símbolos son importantes para leer y entender las instrucciones de funcionamiento.



Lleve guantes de protección

- **¡ADVERTENCIA!** Los textos de advertencia alertan a los usuarios y a los consumidores sobre la existencia y la naturaleza de los riesgos para que puedan evitar lesiones mediante una conducta adecuada durante el uso del producto.
- **PRECAUCIÓN:** Los textos de precaución alertan a los usuarios y a los consumidores sobre la existencia y la naturaleza de los riesgos del producto para que puedan evitar daños en el mismo mediante una conducta adecuada durante el uso del producto.
- **NOTA:** Las notas informan a los usuarios y a los consumidores sobre información adicional acerca del uso del producto.
- El texto escrito en ***cursiva y negrita*** hace referencia a otra sección del manual del operario.
- El texto escrito en **negrita** hace referencia a ajustes en el cortacésped.

## IMPORTANTE

**¡LEA DETENIDAMENTE ANTES DEL USO! ¡CONSERVE PARA SU CONSULTA POSTERIOR!**

### Formación

**¡ADVERTENCIA! ¡Cortacésped automático! ¡Manténgase lejos de la máquina! ¡Supervise a los niños!**

- Lea detenidamente las instrucciones. Familiarícese con los controles y el uso correcto de la máquina.
- Nunca permita que utilicen la máquina personas que no estén familiarizadas con estas instrucciones ni tampoco niños. Es posible que la legislación local estipule una edad mínima para poder utilizar este tipo de máquinas.
- El operario o usuario de la máquina será responsable de cualquier accidente o peligro que su utilización pudiera suponer para otras personas o bienes de terceros.

### Preparativos

- Debe garantizar la instalación correcta de los cables delimitador y de guía según las instrucciones.
- Inspeccione periódicamente la superficie donde va a utilizarse la máquina y elimine todas las piedras, ramas, cables, huesos y otros objetos extraños.
- Realice una inspección visual para comprobar que las cuchillas, los pernos de las cuchillas y el conjunto de corte no estén desgastados o dañados. Sustituya las cuchillas y los pernos desgastados o dañados de forma conjunta para mantener el equilibrio.

### Generalidades

- Nunca utilice la máquina si las protecciones están defectuosas, o sin los dispositivos de seguridad, por ejemplo, el chasis, en su posición.
- No ponga las manos ni los pies cerca o debajo de las piezas giratorias.
- Nunca levante ni transporte una máquina mientras el motor esté en marcha.
- Retire (o utilice) el dispositivo de desactivación de la máquina
  - antes de eliminar una obstrucción;
  - antes de comprobar, limpiar o trabajar en la máquina.
- No deje la máquina funcionando sin supervisión si sabe que hay mascotas, niños o personas en los alrededores.

### Mantenimiento y almacenamiento

- Mantenga todas las tuercas, los pernos y los tornillos apretados para garantizar que la máquina esté en condiciones seguras de funcionamiento.
- Por cuestiones de seguridad, sustituya cualquier pieza que esté desgastada o dañada.
- Asegúrese de que solo se utilicen medios de corte de repuesto del tipo correcto.
- Asegúrese de que las baterías estén cargadas utilizando el cargador correcto recomendado por el fabricante. El uso incorrecto puede provocar descargas eléctricas, sobrecalentamiento o fugas de líquido corrosivo de la batería.
- En caso de fugas de electrolito, lave con agua/agente neutralizante; acuda al médico inmediatamente si entra en contacto con los ojos, etc.
- Las tareas de servicio en la máquina deben realizarse de acuerdo con las instrucciones del fabricante.

### NORMAS ESPECIALES

Este dispositivo cumple la Parte 15 de las Normas de la FCC. El funcionamiento está sujeto a las siguientes dos condiciones:

En el manual del operario se utiliza el siguiente sistema para facilitar su comprensión:

- Este dispositivo no puede producir interferencias perjudiciales.
- Este dispositivo debe aceptar cualquier interferencia recibida, incluidas las interferencias que puedan producir un funcionamiento no deseado.

**PRECAUCIÓN:** Los cambios o modificaciones no aprobados expresamente por la parte responsable de la conformidad podrían invalidar la autoridad del usuario para utilizar el equipo.

Este equipo ha sido probado y cumple con los límites para un dispositivo digital de Clase B, de conformidad con la Parte 15 de las Normas de la FCC. Estos límites se han diseñado para proporcionar una protección razonable contra interferencias perjudiciales en una instalación residencial. Este equipo genera, utiliza y puede radiar energía de radiofrecuencia y, si no se instala y utiliza de acuerdo con las instrucciones, puede producir interferencias perjudiciales en la recepción de radio o televisión. La recepción puede determinarse encendiendo y apagando el equipo. Se recomienda al usuario que intente corregir la interferencia mediante una o más de las siguientes medidas:

- Reoriente o reubique la antena receptora.
- Aumente la separación entre el equipo y el receptor.
- Conecte el equipo a una toma de corriente en un circuito diferente al que está conectado el receptor.
- Consulte con el distribuidor o con un técnico de radio/TV experimentado para obtener ayuda.

Para satisfacer los requisitos de exposición a RF de la FCC, debe mantenerse una distancia de separación de 20 cm o más entre la antena de este dispositivo y las personas durante el funcionamiento del dispositivo.

Para garantizar el cumplimiento, no se recomiendan las operaciones a una distancia menor que esta.

### INSTRUCCIONES IMPORTANTES DE SEGURIDAD

Cuando se utilicen productos eléctricos, siempre deben seguirse precauciones básicas, entre las que se incluyen:

- 1 LEA Y SIGA TODAS LAS INSTRUCCIONES DE SEGURIDAD.
- 2 Lea y siga todas las instrucciones que se encuentran en el producto o que se proporcionan con el mismo.
- 3 En el caso de una unidad de alimentación con conexión por cable o con enchufe directo, no utilice un cable alargador.
- 4 Consulte el Código eléctrico nacional, NFPA 70, específicamente para la instalación del cableado y las holguras de conductores de energía e iluminación.
- 5 El trabajo de instalación y el cableado eléctrico deben ser realizados por personas homologadas de acuerdo con todos los códigos y normas aplicables, incluida la norma para estructuras con clasificación de resistencia a incendios.
- 6 En el caso de una unidad de alimentación con conexión por cable o con enchufe directo, no instale ni utilice a menos de 10 pies (3 m) de una piscina.
- 7 En el caso de una unidad con conexión por cable o con enchufe directo, no utilice en un baño.
- 8 **ADVERTENCIA: Riesgo de descarga eléctrica.** Cuando se utilice al aire libre, instale únicamente en un enchufe protegido mediante GFCI de clase A cubierto que sea resistente a la intemperie con la unidad de alimentación conectada al enchufe. Si no se proporciona uno, contacte con un electricista homologado para una instalación adecuada. Asegúrese de que la unidad de alimentación y el cable no interfieran con el cierre completo de la tapa del enchufe.
- 9 **¡ADVERTENCIA! Riesgo de incendio.** La instalación implica métodos de cableado especiales para pasar el cableado a través de la estructura de un edificio. Consulte con un electricista homologado.
- 10 **ADVERTENCIA: El cableado de salida de la fuente de alimentación de una longitud superior a 6 pies (1,8 m) de largo puede presentar un riesgo de incendio, descarga eléctrica o lesiones a las personas.**

**CONSERVE ESTAS INSTRUCCIONES – Este manual contiene instrucciones importantes de seguridad y funcionamiento para las unidades de alimentación.**

## Funcionamiento

### PUESTA EN MARCHA Y PARADA DEL CORTACÉSPED

Para poner en marcha el cortacésped:

- 1 Inserte la llave de seguridad y gírela en sentido antihorario hasta la posición "1".
- 2 Deslice el cierre del botón de **START** hacia atrás.
- 3 Pulse el botón de **START**.

Para detener el cortacésped:

Pulse el botón de **STOP** en el cortacésped.

### APAGADO DEL CORTACÉSPED

Pulse el botón de **STOP** en el cortacésped y retire la llave de seguridad.

**¡ADVERTENCIA! Retire siempre la llave de seguridad cuando realice tareas de mantenimiento o si debe mover el cortacésped.**



## SEGURIDAD OPERATIVA

Este manual del operario contiene toda la información básica relativa al funcionamiento y mantenimiento seguro del cortacésped.



Lea detenidamente todas las precauciones e instrucciones de seguridad de este manual del operario antes de utilizar el cortacésped. Conserve este manual del operario para su consulta posterior. Siga las instrucciones del fabricante con respecto a la instalación, el funcionamiento, el mantenimiento y la reparación.

Este cortacésped se ha diseñado para cortar césped en superficies abiertas y niveladas. Utilice únicamente los equipos recomendados por el fabricante. Cualquier otro tipo de uso es incorrecto.



Este cortacésped no debe ser utilizado por personas (niños incluidos) con una discapacidad física, sensorial o mental, o que no tengan experiencia ni conocimientos, a menos que hayan recibido supervisión o instrucción sobre el uso del aparato por una persona responsable de su seguridad.

Supervise siempre a los niños para asegurarse de que no jueguen con el aparato.

El cortacésped únicamente debe ser utilizado, mantenido y reparado por personas que entiendan totalmente sus características especiales y los reglamentos de seguridad.

Ponga en marcha el cortacésped según se indica en las instrucciones. Cuando la llave de seguridad esté en la posición **activada**, mantenga las manos y los pies alejados de las cuchillas giratorias.

Nunca meta las manos ni los pies debajo del cortacésped.

No modifique el diseño original del cortacésped. Las modificaciones invalidan la garantía.

Apague el cortacésped con el botón de STOP del cortacésped cuando haya personas, especialmente niños, o mascotas en la superficie de corte. Se recomienda programar el uso del cortacésped durante las horas en que la superficie esté libre de personas o mascotas.

Retire los objetos de la superficie de trabajo, como ramas, juguetes, piedras, herramientas que puedan dañar las cuchillas. El cortacésped puede fijarse a objetos en la superficie de trabajo y es posible que se necesite ayuda para retirar el objeto antes de que el cortacésped pueda seguir cortando.

Nunca levante el cortacésped ni lo transporte con la llave de seguridad insertada.

Apague siempre el cortacésped con el botón de STOP cuando no esté en uso. El cortacésped únicamente puede ponerse en marcha cuando se inserta la llave de seguridad y se pulsa el botón de START.

La alarma integrada es muy ruidosa. Tenga cuidado, especialmente si el cortacésped se maneja en interiores.

No utilice el cortacésped con un disco de corte o un cuerpo defectuoso.

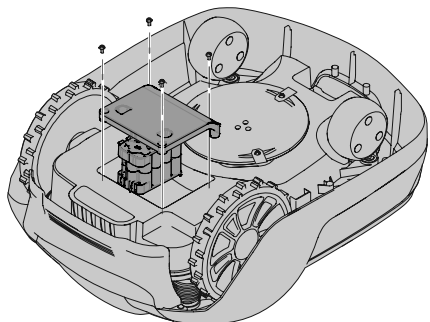
No permita el uso a personas que no saben cómo funciona y se comporta el cortacésped.

No coloque nada encima del cortacésped o su estación de carga.



Lleve siempre guantes de protección cuando trabaje con las cuchillas del cortacésped.

## MANTENIMIENTO DE LA BATERÍA



**¡ADVERTENCIA! En caso de fugas de electrolito, lave con agua/agente neutralizante y acuda al médico inmediatamente si el electrolito entra en contacto con los ojos.**

Cargue la batería únicamente en la estación de carga original. El uso incorrecto puede provocar descargas eléctricas, sobrecalentamiento o fugas de líquido corrosivo de la batería.

La batería no necesita mantenimiento, pero tiene una vida útil limitada de 2 a 4 años, en función de la duración de la temporada y del número de horas al día que se utiliza el cortacésped.

**¡ADVERTENCIA! Pulse el botón de STOP y retire la llave de seguridad antes de sustituir las baterías y lleve guantes de protección.**

**PRECAUCIÓN:** Utilice únicamente piezas de repuesto originales.

Dé la vuelta el cortacésped y retire los cuatro tornillos Torx T20, posteriormente retire la cubierta de la batería.

Desconecte el conector del terminal de la batería.

Levante la batería para sacarla.

Cómo insertar la batería nueva

Conecte el conector del terminal de la batería a la batería nueva.

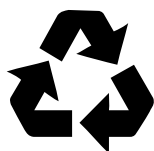
Vuelva a colocar la cubierta de la batería en su posición e inserte y apriete los cuatro tornillos Torx T20.

Verifique también que el sellado está en buenas condiciones y correctamente colocado.

Inserte la llave de seguridad en la parte inferior de la podadora y gírela a la posición de activación.

Coloque la podadora en la estación de carga para activar y cargar la batería.

## Protección medioambiental



Los materiales tóxicos y corrosivos que figuran a continuación se encuentran en las baterías utilizadas en esta máquina: Ion de litio, un material tóxico.

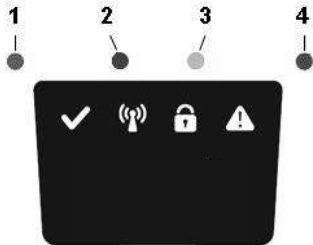
**¡ADVERTENCIA! Deseche todos los materiales tóxicos de una manera especificada para evitar la contaminación del medio ambiente. Antes de desechar una batería de ion de litio dañada o agotada, contacte con la agencia local de eliminación de residuos o con la agencia de protección ambiental local para obtener información e instrucciones específicas. Lleve las baterías a un centro de reciclaje o eliminación local, certificado para la eliminación de ion de litio.**

**¡ADVERTENCIA! Si la batería se agrieta o se rompe, con o sin fugas, no la recargue ni la utilice. Deséchela y sustitúyala por una batería nueva. ¡NO INTENTE REPARARLA! Para evitar lesiones y riesgos de incendio, explosión o descarga eléctrica, y para evitar daños al medio ambiente:**

- Cubra los terminales de la batería con cinta adhesiva resistente.
- NO intente retirar o destruir ninguno de los componentes de la batería.
- NO intente abrir la batería.
- Si se produce una fuga, los electrolitos liberados son corrosivos y tóxicos. NO deje que la solución entre en contacto con los ojos o la piel, y no la ingiera.
- NO deseche estas baterías con la basura doméstica normal.
- NO incinere.
- NO lleve las baterías a lugares donde formarán parte de vertederos de residuos o flujos de residuos sólidos urbanos.
- Llévelas a un centro de reciclaje o eliminación certificado.

Esta sección también presenta algunos síntomas que pueden guiarle si el cortacésped no funciona según lo esperado.

## LEDS INDICADORES EN EL CORTACÉSPED



LED	ESTADO	SIGNIFICADO	ACCIÓN
1. En funcionamiento (Verde)	Intermitente	Modo de recuperación	Coloque el robot en la estación de carga hasta 5 horas y espere a que el LED verde deje de parpadear. Si el LED no deja de parpadear, reinicie el robot fuera de la estación de carga e inténtelo de nuevo.
	Encendido	Cortacésped en modo de funcionamiento (cargando, estacionado en la estación de carga, en pausa, segando o buscando)	
	Apagado	Cortacésped parado con el botón de STOP del cortacésped, llave de seguridad en la posición desactivada, cortacésped en estado de error o cortacésped esperando el código PIN.	
2. Conectividad (Azul)	Intermitente	Intentando conectar al servidor de Internet	
	Encendido	Conectado al servidor de Internet	
	Apagado	Cortacésped no en "modo de encendido"	
3. Seguridad (Amarillo)	Intermitente	Es necesaria autorización mediante código PIN	... a través de la aplicación móvil.
	Apagado	No es necesario código PIN	No es necesaria ninguna acción
4. Error (Rojo)	Intermitente	Cortacésped parado con error	Compruebe el motivo del error y posteriormente reinicie pulsando el botón de <b>START</b> en el cortacésped.

## ROTURAS EN EL CABLE DELIMITADOR Y EL CABLE DE GUÍA

Las roturas en el cable delimitador y el cable de guía (si están instalados) suelen ser el resultado de daños físicos involuntarios.

Inspeccione todo el cable delimitador desde la estación de carga y de vuelta.

Inspeccione el cable de guía (si está instalado) desde la estación de carga hasta el empalme en el cable delimitador.

Inspeccione que todos los acoplamientos se hayan acoplado correctamente para hacer las conexiones.

	Optimow 25H	Optimow 50H	Optimow 25	Optimow 50
<b>Dimensiones:</b>				
Altura	12,2 pulgadas (31 cm)	12,2 pulgadas (31 cm)	10,3 pulgadas (26 cm)	10,3 pulgadas (26 cm)
Longitud	25,0 pulgadas (63,5 cm)	25,0 pulgadas (63,5 cm)	24,8 pulgadas (63 cm)	24,8 pulgadas (63 cm)
Anchura	20,0 pulgadas (51 cm)	20,0 pulgadas (51 cm)	19,7 pulgadas (50 cm)	19,7 pulgadas (50 cm)
Peso	26,4 lbs (12 kg)	26,4 lbs (12 kg)	24,2 lbs (11 kg)	24,2 lbs (11 kg)
<b>Sistema eléctrico:</b>				
Batería, batería especial de iones de litio	24V/4.0Ah, N° de pieza T0100273-00	24V/4.0Ah, N° de pieza T0100273-00	24V/4.0Ah, N° de pieza T0100273-00	24V/4.0Ah, N° de pieza T0100273-00
Fuente de alimentación	100-120 V/29 V DC	100-120 V/29 V DC	100-120 V/29 V DC	100-120 V/29 V DC
Longitud del cable de baja tensión	33 pies (10 m)	33 pies (10 m)	33 pies (10 m)	33 pies (10 m)
Consumo energético medio a uso máximo	10 kWh/mes para una superficie de trabajo de 1/4 de acre (0,10 ha)	12 kWh/mes para una superficie de trabajo de 1/2 de acre (0,20 ha)	10 kWh/mes para una superficie de trabajo de 1/4 de acre (0,10 ha)	12 kWh/mes para una superficie de trabajo de 1/2 de acre (0,20 ha)
Corriente de carga	1,3 A DC	2,4 A DC	1,3 A DC	2,4 A DC
Tiempo de carga medio	270 minutos	70 minutos	270 minutos	70 minutos
Tiempo de corte medio	150 minutos	150 minutos	150 minutos	150 minutos
<b>Corte de hierba:</b>				
Sistema de corte	Tres cuchillas de corte articuladas	Tres cuchillas de corte articuladas	Tres cuchillas de corte articuladas	Tres cuchillas de corte articuladas
Consumo medio energético durante el corte	25 W ± 20%	25 W ± 20%	25 W ± 20%	25 W ± 20%
Altura de corte	2,4-4,0 pulgadas (6-10 cm)	2,4-4,0 pulgadas (6-10 cm)	0,8-2,4 pulgadas (2-6 cm)	0,8-2,4 pulgadas (2-6 cm)
Anchura de corte	8,7 pulgadas (22 cm)	8,7 pulgadas (22 cm)	8,7 pulgadas (22 cm)	8,7 pulgadas (22 cm)
Paso más estrecho posible	24 pulgadas (60 cm)	24 pulgadas (60 cm)	24 pulgadas (60 cm)	24 pulgadas (60 cm)
Pendiente máxima de la zona de corte	35%	35%	35%	35%
Pendiente máxima del cable delimitador	15%	15%	15%	15%
Longitud máxima para cable delimitador	2600 pies (800 m)	2600 pies (800 m)	2600 pies (800 m)	2600 pies (800 m)
Capacidad de trabajo máxima	1/4 de acre (0,10 ha)	1/2 de acre (0,20 ha)	1/4 de acre (0,10 ha)	1/2 de acre (0,20 ha)
Capacidad de superficie recomendada	0 - 0,2 de acre (0 - 0,08 ha)	0,1 de acre - 0,4 acre (0,04 - 0,16 ha)	0 - 0,2 de acre (0 - 0,08 ha)	0,1 de acre - 0,4 acre (0,04 - 0,16 ha)
<b>Clasificación IP:</b>				
Cortacésped	IPX5	IPX5	IPX5	IPX5
Estación de carga	IPX2	IPX2	IPX2	IPX2
Fuente de alimentación	IP67	IP67	IP67	IP67

<b>FICHA DE DATOS DE RADIOFRECUENCIA</b>		
	LTE Cat M1	Dispositivos de corto alcance (SRD) (Cable delimitador)
Bandas de frecuencia	Banda 2 1900 MHz Banda 4 1700 MHz	0~148,5KHz
Clase de potencia	Clase 3 (23 dBm)	NA